

Service Manual



492/492P Spectrum Analyzer Volume 2

070-3784-01

Warning

The servicing instructions are for use by qualified personnel only. To avoid personal injury, do not perform any servicing unless you are qualified to do so. Refer to the Safety Summary prior to performing service.

Please check for change information at the rear of this manual.

Second Edition: February 1979
Last Revised: December 1987

Copyright © Tektronix, Inc. 1979, 1981. All rights reserved.

Tektronix products are covered by U.S. and foreign patents, issued and pending. Information in this publication supercedes that in all previously published material. Specifications and price change privileges reserved.

Printed in the U.S.A.

Tektronix, Inc., P.O. Box 1000, Wilsonville, OR 97070-1000

TEKTRONIX and TEK are registered trademarks of Tektronix, Inc.

TABLE OF CONTENTS

SAFETY SUMMARY	iii
Section 7 REPLACEABLE ELECTRICAL PARTS	7-1
Section 8 DIAGRAMS	8-1
Section 9 REPLACEABLE MECHANICAL PARTS	9-1

LIST OF ILLUSTRATIONS

The following figures are located near their associated diagrams in Section 8.

8-1	A16A1—1st LO Interface circuit board	8-25	A64—Deflection Amplifier circuit board
8-2	A18A1—2nd Converter circuit board	8-26	A70—Z Axis circuit board
8-3	A4A1—Phase Gate Input circuit board	8-27	A74—High Voltage circuit board
8-4	A23A2—25 MHz Phase Lock circuit board	8-28	A74A1—High Voltage circuit board
8-5	A23A3—Harmonic Mixer circuit board	8-29	A66—CRT Readout circuit board
8-6	A23A7—829 MHz Second Converter circuit board	8-30	A38—Front Panel circuit board
8-7	A23A4—829 MHz Diplexer circuit board	8-31	A58—Processor circuit board
8-8	A23A6—I.F. Switcher circuit board	8-32	A54—Memory circuit board
8-9	A23A5—829 MHz Amplifier circuit board	8-33	A72—Sweep circuit board
8-10	A32A1—110 I.F. Amplifier circuit board	8-34	A48—Span Attenuator circuit board
8-11	A34A1—110 Mixer/Oscillator circuit board	8-35	A44—1st LO Driver circuit board
8-12	A69A1—VR #1 Mother circuit board	8-36	A42—Preselector Driver circuit board
8-13	A69A2—VR Input circuit board	8-37	A21—Shaper/Bias circuit board
8-14	A69A3—1st Filter Select circuit board	8-38	A46—Center Frequency Control circuit board
8-15	A69A4—10 dB Gain Steps circuit board	8-39	A51—Phase Lock Control circuit board
8-16	A68A1—VR #2 Mother circuit board	8-40	A50A4—Error Amplifier circuit board
8-17	A69A5—20 dB Gain Steps circuit board	8-41	A50A1—Synthesizer circuit board
8-18	A68A3—Band Leveling circuit board	8-42	A50A3—Offset Mixer circuit board
8-19	A68A2—2nd Filter Select circuit board	8-43	A50A5—Controlled Oscillator circuit board
8-20	A68A4—Post VR Amplifier circuit board	8-44	A50A2—Strobe Driver circuit board
8-21	A62—Log Amplifier circuit board	8-45	A30A1—Main Power Supply circuit board
8-22	A40—Leveling circuit board	8-46	A30A2—Fan Drive circuit board
8-23	A61—Digital Storage circuit board	8-47	A76—Accessories Interface circuit board
8-24	A60—Digital Storage Interface circuit board	8-48	A56—GPIO circuit board

SERVICING SAFETY SUMMARY

FOR QUALIFIED SERVICE PERSONNEL ONLY

Do Not Service Alone

Do not perform internal service or adjustment of this product unless another person capable of rendering first aid and resuscitation is present.

Use Care When Servicing With Power On

Dangerous voltages exist at several points in this product. To avoid personal injury, do not touch exposed connections and components while power is on.

Disconnect power before removing protective panels, soldering, or replacing components.

Power Source

This product is intended to operate from a power source that will not apply more than 250 volts rms between the supply conductors or between either supply conductor and ground. A protective ground connection by way of the grounding conductor in the power cord is essential for safe operation.

TERMS

In This Manual

CAUTION statements identify conditions or practices that could result in damage to the equipment or other property.

WARNING statements identify conditions or practices that could result in personal injury or loss of life.

As Marked on Equipment

CAUTION indicates a personal injury hazard not immediately accessible as one reads the marking, or a hazard to property including the equipment itself.

DANGER indicates a personal injury hazard immediately accessible as one reads the marking.

SYMBOLS

In This Manual



This symbol indicates where applicable cautionary or other information is to be found.

As Marked on Equipment



DANGER—High voltage.



Protective ground (earth) terminal.



ATTENTION—refer to manual.

Power Source

This product is intended to operate from a power source that will not apply more than 250 volts rms between the supply conductors or between either supply conductor and ground. A protective ground connection by way of the grounding conductor in the power cord is essential for safe operation.

Grounding the Product

This product is grounded through the grounding conductor of the power cord. To avoid electrical shock, plug the power cord into a properly wired receptacle before connecting to the product input or output terminals. A protective ground connection by way of the grounding conductor in the power cord is essential for safe operation.

Danger Arising From Loss of Ground

Upon loss of the protective-ground connection, all accessible conductive parts (including knobs and controls that may appear to be insulating) can render an electric shock.

Use the Proper Power Cord

Use only the power cord and connector specified for your product.

Use only a power cord that is in good condition.

For detailed information on power cords and connectors, see the General Information and Specifications section in Volume 1 of the 492 Service manual.

Refer cord and connector changes to qualified service personnel.

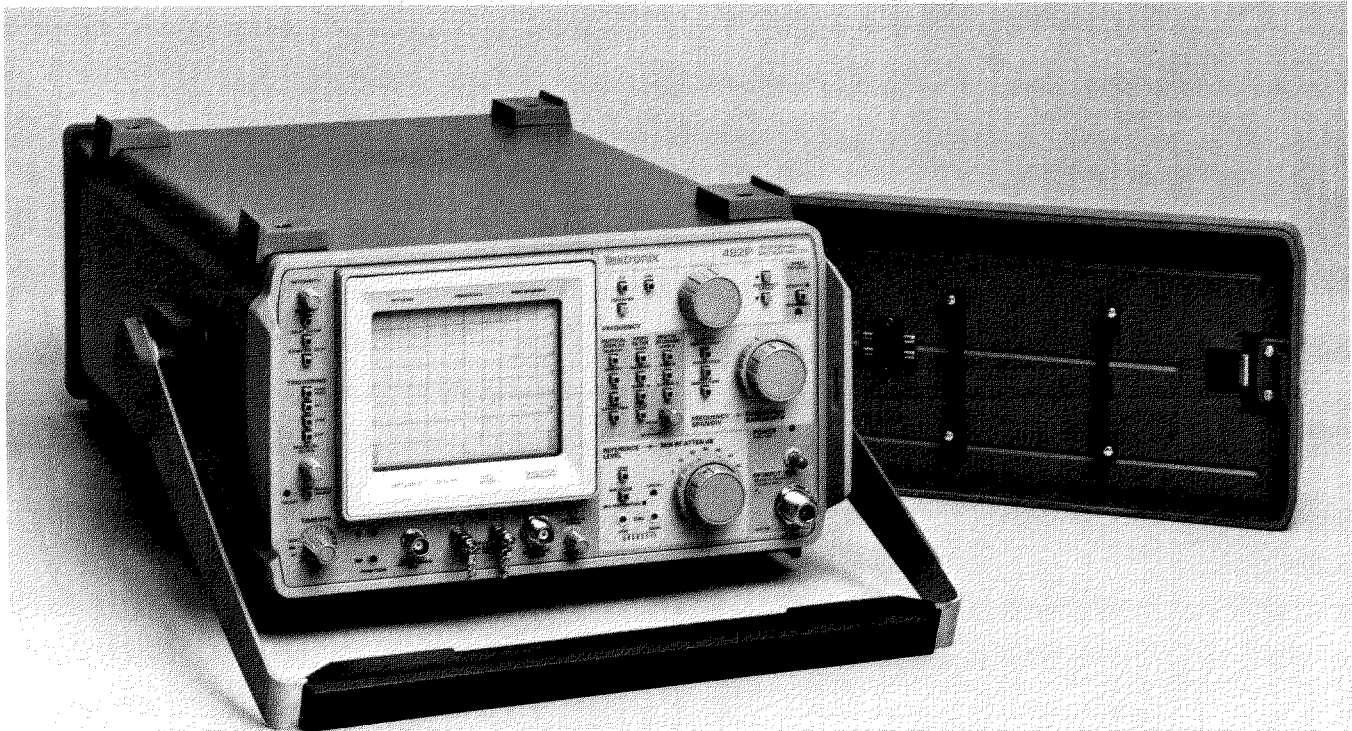
Use the Proper Fuse

To avoid fire hazard, use only the fuse specified in the parts list for your product, and which is identical in type, voltage rating, and current rating.

Refer fuse replacement to qualified service personnel.

Do Not Operate in Explosive Atmospheres

To avoid explosion, do not operate this product in an atmosphere of explosive gases unless it has been specifically certified for such operation.



The 492/492P Spectrum Analyzer.

REPLACEABLE ELECTRICAL PARTS

PARTS ORDERING INFORMATION

Replacement parts are available from or through your local Tektronix, Inc. Field Office or representative.

Changes to Tektronix instruments are sometimes made to accommodate improved components as they become available, and to give you the benefit of the latest circuit improvements developed in our engineering department. It is therefore important, when ordering parts, to include the following information in your order: Part number, instrument type or number, serial number, and modification number if applicable.

If a part you have ordered has been replaced with a new or improved part, your local Tektronix, Inc. Field Office or representative will contact you concerning any change in part number.

Change information, if any, is located at the rear of this manual.

Only the circuit number will appear on the diagrams and circuit board illustrations. Each diagram and circuit board illustration is clearly marked with the assembly number. Assembly numbers are also marked on the mechanical exploded views located in the Mechanical Parts List. The component number is obtained by adding the assembly number prefix to the circuit number.

The Electrical Parts List is divided and arranged by assemblies in numerical sequence (e.g., assembly A1 with its subassemblies and parts, precedes assembly A2 with its subassemblies and parts).

Chassis-mounted parts have no assembly number prefix and are located at the end of the Electrical Parts List.

LIST OF ASSEMBLIES

A list of assemblies can be found at the beginning of the Electrical Parts List. The assemblies are listed in numerical order. When the complete component number of a part is known, this list will identify the assembly in which the part is located.

TEKTRONIX PART NO. (column two of the Electrical Parts List)

Indicates part number to be used when ordering replacement part from Tektronix.

CROSS INDEX-MFR. CODE NUMBER TO MANUFACTURER

The Mfr. Code Number to Manufacturer index for the Electrical Parts List is located immediately after this page. The Cross Index provides codes, names and addresses of manufacturers of components listed in the Electrical Parts List.

SERIAL/MODEL NO. (columns three and four of the Electrical Parts List)

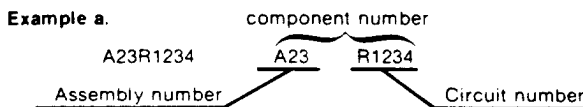
Column three (3) indicates the serial number at which the part was first used. Column four (4) indicates the serial number at which the part was removed. No serial number entered indicates part is good for all serial numbers.

ABBREVIATIONS

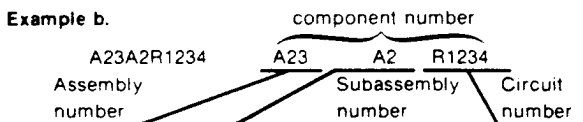
Abbreviations conform to American National Standard Y1.1.

COMPONENT NUMBER (column one of the Electrical Parts List)

A numbering method has been used to identify assemblies, subassemblies and parts. Examples of this numbering method and typical expansions are illustrated by the following:



Read: Resistor 1234 of Assembly 23



Read: Resistor 1234 of Subassembly 2 of Assembly 23

NAME & DESCRIPTION (column five of the Electrical Parts List)

In the Parts List, an Item Name is separated from the description by a colon (:). Because of space limitations, an Item Name may sometimes appear as incomplete. For further Item Name identification, the U.S. Federal Cataloging Handbook H6-1 can be utilized where possible.

MFR. CODE (column six of the Electrical Parts List)

Indicates the code number of the actual manufacturer of the part. (Code to name and address cross reference can be found immediately after this page.)

MFR. PART NUMBER (column seven of the Electrical Parts List)

Indicates actual manufacturers part number.

CROSS INDEX - MFR. CODE NUMBER TO MANUFACTURER

Mfr. Code	Manufacturer	Address	City, State, Zip Code
00213	NYTRONICS COMPONENTS GROUP INC SUBSIDIARY OF NYTRONICS INC	ORANGE ST	DARLINGTON SC 29532
00779	AMP INC	2800 FULLING MILL PO BOX 3608	HARRISBURG PA 17105
00853	SANGAMO WESTON INC COMPONENTS DIV	SANGAMO RD PO BOX 128	PICKENS SC 29671-9716
01121	ALLEN-BRADLEY CO	1201 SOUTH 2ND ST	MILWAUKEE WI 53204-2410
01281	TRW ELECTRONICS AND DEFENSE SECTOR RF DEVICES	14520 AVIATION BLVD	LAWDALE CA 90260-1121
01295	TEXAS INSTRUMENTS INC SEMICONDUCTOR GROUP	13500 N CENTRAL EXP PO BOX 655012	DALLAS TX 75265
02111	HAMILTON STANDARD CONTROLS INC SPECTROL DIV	17070 E GALE AVE P O BOX 1220	CITY OF INDUSTRY CA 91749
02114	AMPEREX ELECTRONIC CORP FERROXCUBE DIV	5083 KINGS HWY	SAUGERTIES NY 12477
02735	RCA CORP SOLID STATE DIVISION	ROUTE 202	SOMERVILLE NJ 08876
03508	GENERAL ELECTRIC CO SEMI-CONDUCTOR PRODUCTS DEPT	W GENESEE ST	AUBURN NY 13021
03614	BUSSMAN MFG DIVISION OF MCGRAW EDISON CO		LOS ANGELES CA
03888	PYROFILM DIV DIV OF KDI ELECTRONICS INC	60 S JEFFERSON RD	WHIPPANY NJ 07981-1001
04099	CAPCO INC	1328 WINTERS AVE PO BOX 1028	GRAND JUNCTION CO 81502
04222	AVX CERAMICS DIV OF AVX CORP	19TH AVE SOUTH P O BOX 867	MYRTLE BEACH SC 29577
04713	MOTOROLA INC SEMICONDUCTOR PRODUCTS SECTOR	5005 E MCDOWELL RD	PHOENIX AZ 85008-4229
05387	GENERAL CONTROLS CO		CLEVELAND OH
05397	UNION CARBIDE CORP MATERIALS SYSTEMS DIV	11901 MADISON AVE	CLEVELAND OH 44101
05828	GENERAL INSTRUMENT CORP GOVERNMENT SYSTEMS DIV	600 W JOHN ST	HICKSVILLE NY 11802
06665	PRECISION MONOLITHICS INC SUB OF BOURNS INC	1500 SPACE PARK DR	SANTA CLARA CA 95050
07088	KELVIN ELECTRIC CO	5907 NOBLE AVE	VAN NUYS CA 91411
07263	FAIRCHILD SEMICONDUCTOR CORP NORTH AMERICAN SALES SUB OF SCHLUMBERGER LTD MS 118	10400 RIDGEVIEW CT	CUPERTINO CAW CA 95014
07716	TRW INC TRW IRC FIXED RESISTORS/BURLINGTON	2850 MT PLEASANT AVE	BURLINGTON IA 52601
11236	CTS CORP BERNE DIV THICK FILM PRODUCTS GROUP	406 PARR ROAD	BERNE IN 46711-9506
12954	MICROSEMI CORP - SCOTTSDALE	8700 E THOMAS RD P O BOX 1390	SCOTTSDALE AZ 85252
12969	UNITRODE CORP	5 FORBES RD	LEXINGTON MA 02173-7305
14193	CAL-R INC	1601 OLYMPIC BLVD PO BOX 1397	SANTA MONICA CA 90406
14433	ITT SEMICONDUCTORS DIV		WEST PALM BEACH FL
14552	MICROSEMI CROP	2830 S FAIRVIEW ST	SANTA ANA CA 92704-5948
14752	ELECTRO CUBE INC	1710 S DEL MAR AVE	SAN GABRIEL CA 91776-3825
14936	GENERAL INSTRUMENT CORP DISCRETE SEMI CONDUCTOR DIV	600 W JOHN ST	HICKSVILLE NY 11802
15238	ITT SEMICONDUCTORS A DIVISION OF INTERNATIONAL TELEPHONE AND TELEGRAPH CORP	500 BROADWAY P O BOX 168	LAWRENCE MA 01841-3002
15454	AMETEK INC RODAN DIV	2905 BLUE STAR ST	ANAHEIM CA 92806-2510
15636	ELEC-TROL INC	26477 N GOLDEN VALLEY RD	SAUGUS CA 91350-2621
17540	ALPHA INDUSTRIES INC HQ/SEMICONDUCTOR DIV	20 SYLVAN RD PO BOX 1044	WOBURN MA 01801-1854
18203	ENGELMANN MICROWAVE DIV DIV OF KDI ELECTRONICS INC	60 S JEFFERSON RD	WHIPPANY NJ 07981-1001

CROSS INDEX - MFR. CODE NUMBER TO MANUFACTURER

Mfr. Code	Manufacturer	Address	City, State, Zip Code
18324	SIGNETICS CORP MILITARY PRODUCTS DIV	4130 S MARKET COURT	SACRAMENTO CA 95834-1222
18612	VISHAY INTERTECHNOLOGY INC VISHAY RESISTOR PRODUCTS GROUP	63 LINCOLN HWY	MALVERN PA 19355-2120
19396	ILLINOIS TOOL WORKS INC PAKTRON DIVISION	1205 MCCONVILLE RD PO BOX 4539	LYNCHBURG VA 24502-4535
19701	MEPCO/CENTRALAB A NORTH AMERICAN PHILIPS CO	P O BOX 760	MINERAL WELLS TX 76067-0760
20932	KYOCERA INTERNATIONAL INC	11620 SORRENTO VALLEY RD PO BOS 81543 PLANT NO 1	SAN DIEGO CA 92121
22526	DU PONT E I DE NEMOURS AND CO INC DU PONT CONNECTOR SYSTEMS DIV MILITARY PRODUCTS GROUP	515 FISHING CREEK RD	NEW CUMBERLAND PA 17070-3007
24022	TELEDYNE MICROWAVE TELEDYNE INC COMPANY	1290 TERRA BELLA AVE	MOUNTAIN VIEW CA 94043-1834
24355	ANALOG DEVICES INC	RT 1 INDUSTRIAL PK PO BOX 9106	NORWOOD MA 02062
24539	AVANTEK INC	3175 BOWERS AVE	SANTA CLARA CA 95051
24546	CORNING GLASS WORKS	550 HIGH ST	BRADFORD PA 16701-3737
24931	SPECIALTY CONNECTOR CO INC	2100 EARLYWOOD DR PO BOX 547	FRANKLIN IN 46131
25088	SIEMENS CORP	186 WOOD AVE S	ISELIN NJ 08830-2704
25403	AMPEREX ELECTRONIC CORP SEMICONDUCTOR SOLID STATE AND ACTIVE DEVICES-ELECTRO OPTICAL DEVICES	PROVIDENCE PIKE	SLATERSVILLE RI 02876
26769	MEPCO/CENTRALAB A NORTH AMERICAN PHILIPS CO	5900 AUSTRALIAN AVE	WEST PALM BEACH FL 33407-2330
26805	M/X-COM OMNI SPECTRA INC MICROWAVE CONNECTOR DIV SUB OF M/A-COM INC	140 4TH AVE	WALTHAM MA 02154-7507
27012	MICRO DEVICES CORP SUB OF EMERSON ELECTRIC CO	1320 S MAIN ST PO BOX 3538	MANSFIELD OH 44907-2516
27014	NATIONAL SEMICONDUCTOR CORP	2900 SEMICONDUCTOR DR	SANTA CLARA CA 95051-0606
27264	MOLEX INC	2222 WELLINGTON COURT	LISLE IL 60532-1613
28480	HEWLETT-PACKARD CO CORPORATE HQ	3000 HANOVER ST	PALO ALTO CA 94304-1112
29454	JOHANSON DIELECTRICS INC	2210 SCREENLAND DR P O BOX 6465	BURBANK CA 91505-1137
31433	UNION CARBIDE CORP ELECTRONICS DIV	HWY 276 SE PO BOX 5928	GREENVILLE SC 29606
32293	INTERSIL INC SUB OF GENERAL ELECTRIC CO	10600 RIDGVIEW COURT	CUPERTINO CA 95014-0704
32997	BOURNS INC TRIMPOT DIV	1200 COLUMBIA AVE	RIVERSIDE CA 92507-2114
33095	SPECTRUM CONTROL INC	2185 WEIGHT ST	ERIE PA 16505
33096	COLORADO CRYSTAL CORP	2303 W 8TH ST	LOVELAND CO 80537-5268
34335	ADVANCED MICRO DEVICES	901 THOMPSON PL	SUNNYVALE CA 94086-4518
34371	HARRIS CORP HARRIS SEMICONDUCTOR PRODUCTS GROUP	200 PALM BAY BLVD PO BOX 883	MELBOURNE FL 32919
44655	OHMITE MFG CO	3601 W HOWARD ST	SKOKIE IL 60076-4014
50101	FREQUENCY SOURCES INC SEMICONDUCTOR DIV SUB OF LORAL CORP	16 MAPLE RD	CHELMSFORD MA 01824-3737
50140	K AND L MICROWAVE INC SUB OF DOVER CORP	408 COLES CIR	SALISBURY MD 21801-3214
50434	HEWLETT-PACKARD CO OPTOELECTRONICS DIV	370 W TRIMBLE RD	SAN JOSE CA 95131
50438	HEWLETT-PACKARD CO DATA SYSTEMS DIV	11000 WOLFE RD	CUPERTINO CA 95014-0602
50558	ELECTRONIC CONCEPTS INC	526 INDUSTRIAL WAY WEST	EATONTOWN NJ 07724-2212
50667	DYNATECH MICROWAVE TECHNOLOGY INC DYNATECH MICROWAVE SWITCHES DIV	26655 W AGOURA RD	CLABASAS CA 91302-1921
51406	MURATA ERIE NORTH AMERICA INC GEORGIA OPERATIONS	2200 LAKE PARK DR	SMYRNA GA 30080
51640	ANALOG DEVICES INC MICROELECTRONICS DIV	829 WOBURN ST	WILMINGTON MA 01887-3414
51642	CENTRE ENGINEERING INC	2820 E COLLEGE AVE	STATE COLLEGE PA 16801-7515

CROSS INDEX - MFR. CODE NUMBER TO MANUFACTURER

Mfr. Code	Manufacturer	Address	City, State, Zip Code
52306	UNITRODE CORP		VISALIA CA
52763	HIGH VOLTAGE DEVICES INC STETTNER ELECTRONICS INC	6135 AIRWAYS BLVD PO BOX 21947	CHATTANOOGA TN 37421-2970
52769	SPRAGUE-GOODMAN ELECTRONICS INC	134 FULTON AVE	GARDEN CITY PARK NY 11040-5352
53944	GLOW LITE CORP	S HWY 77 PO BOX 698	PAULS VALLEY OK 73075
54473	MATSUSHITA ELECTRIC CORP OF AMERICA	ONE PANASONIC WAY PO BOX 1501	SECAUCUS NJ 07094-2917
54583	TDK ELECTRONICS CORP	12 HARBOR PARK DR	PORT WASHINGTON NY 11550
55680	NICHICON /AMERICA/ CORP	927 E STATE PKY	SCHAUMBURG IL 60195-4526
56289	SPRAGUE ELECTRIC CO WORLD HEADQUARTERS	92 HAYDEN AVE	LEXINGTON MA 02173-7929
57668	R-OHM CORP	16931 MILLIKEN AVE	IRVINE CA 92713
58361	GENERAL INSTRUMENT CORP OPTOELECTRONICS DIV	3400 HILLVIEW AVE	PALO ALTO CA 94304-1319
58854	GTE PRODUCTS CORP LIGHTING PRODUCTS GROUP	60 BOSTON ST	SALEM MA 01970-2147
59660	TUSONIX INC	7741 N BUSINESS PARK DR PO BOX 37144	TUCSON AZ 85740-7144
59821	MEPCO/CENTRALAB A NORTH AMERICAN PHILIPS CO	7158 MERCHANT AVE	EL PASO TX 79915-1207
71400	BUSSMANN DIV OF COOPER INDUSTRIES INC	114 OLD STATE RD PO BOX 14460	ST LOUIS MO 63178
72136	ELECTRO MOTIVE CORP SUB OF INTERNATIONAL ELECTRONICS CORP		FLORENCE SC 29501
72982	ERIE SPECIALTY PRODUCTS INC	645 W 11TH ST	ERIE PA 16512
73138	BECKMAN INDUSTRIAL CORP BECKMAN ELECTRONIC TECHNOLOGIES SUB OF EMERSON ELECTRIC	4141 PALM ST	FULLERTON CA 92635
73899	JFD ELECTRONICS COMPONENTS CORP A DIV OF MURTA ERIE NORTH AMERICA	112 MOTT ST	OCEANSIDE NY 11572-5823
74970	JOHNSON E F CO	299 10TH AVE S W	WASECA MN 56093-2539
75042	TRW INC TRW ELECTRONIC COMPONENTS IRC FIXED RESISTORS PHILADELPHIA DIV	401 N BROAD ST	PHILADELPHIA PA 19108-1001
75378	CTS KNIGHTS INC	400 REIMANN AVE	SANDWICH IL 60548-1846
75915	LITTELFUSE TRACTOR INC SUB TRACTOR INC	800 E NORTHWEST HWY	DES PLAINES IL 60016-3049
76493	BELL INDUSTRIES INC JW MILLER DIV	19070 REYES AVE PO BOX 5825	COMPTON CA 90224-5825
78488	STACKPOLE CORP THE	201 STACKPOLE ST	ST MARYS PA 15857-1401
80009	TEKTRONIX INC	14150 SW KARL BRAUM DR PO BOX 500 MS 53-111	BEAVERTON OR 97077
80031	MEPCO/ELECTRA INC	22 COLUMBIA RD	MORRISTOWN NJ 07960
81073	GRAYHILL INC	561 HILLGROVE AVE PO BOX 10373	LA GRANGE IL 60525-5914
84411	AMERICAN SHIZUKI CORPORATION OGALLALA OPERATIONS	301 WEST O ST	OGALLALA NE 69153-1844
90201	AEROVOX MALLORY	101 MALLORY DR	GLASGOW KY 42141
91293	JOHANSON MFG CO	400 ROCKWAY VILLE RD	BOONTON NJ 07005
91418	RADIO MATERIALS CORP	EAST PARK AVE PO BOX 339	ATTICA INL 47918
91506	AUGAT INC	33 PERRY AVE P O BOX 779	ATTLEBORO MA 02703-2417
91637	DALE ELECTRONICS INC	2064 12TH AVE PO BOX 609	COLUMBUS NE 68601-3632
95275	VITRAMON INC	BOX 544	BRIDGEPORT CT 06601-0544
95348	GORDOS CORP	250 GLENWOOD AVE	BLOOMFIELD NJ 07003-2416
98291	SEAELECTRO CORP BICC ELECTRONICS	40 LINDEMAN DR	TURNBULL CT 06611-4739
S0545	NIPPON ELECTRIC CO LTD		TOKYO JAPAN
TK0146	BUEHLER PRODUCTS INC	PO BOX A, HIGHWAY 70	EAST KINSTON NC 28501
TK0213	TOPTRON CORP	TOKYO	JAPAN

CROSS INDEX - MFR. CODE NUMBER TO MANUFACTURER

Mfr. Code	Manufacturer	Address	City, State, Zip Code
TK0515	WORLD PRODUCTS INC	19678 8TH ST E PO OBX 517	SONOMA CA 95476-3803
TK0900	UNITED CHEMI-CON INC	9801 W HIGGINS SUITE 430	ROSEMONT IL 60018-4704
TK0935	MARQUARDT SWITCHES INC	67 ALBANY ST PO BOX 465	CAZENOVIA NY 13035-1219
TK0946	SAN-O INDUSTRIAL CORP	170 WILBUR PL	BAHEMIA, LONG ISLAND NY 11716
TK0961	NEC ELECTRONICS USA INC ELECTRON DIV	401 ELLIS ST PO OBX 7241	MOUNTAIN VIEW CA 94039
TK1016	TOSHIBA AMERICA INC ELECTRONIC COMPONENTS DIV BUSINESS SECTOR	2692 DOW AVE	TUSTIN CA 92680
TK1345	ZMAN AND ASSOCIATES	7633 S 180TH	KENT WA 98032
TK1360	DALE ELECTRONICS INC	462 LIONEL DR	EL PASO TX 79935
TK1375	ESAM	PO BOX 376	GRANTS PASS OR 97526
TK1409	AMERICAN PRECISION INDUSTRIES INC	5455 SE ALEXANDER	HILLSBORO OR 97123
TK1421	COILTRON	PO BOX 904	BEAVERTON OR 97075
TK1424	MARCON AMERICA CORP	700 LANDWEHR RD	NORTHBROOK IL 60062
TK1727	PHILIPS NEDERLAND BV AFD ELONCO	POSTBUS 90050	5600 PB EINDHOVEN THE NETHERLANDS
TK1881	UNIVERSAL SEMICONDUCTOR INC	1925 ZANKER RD	SAN JOSE CA 95112
TK2042	ZMAN & ASSOCIATES	7633 SO. 180TH	KENT, WA 98032

Replaceable Electrical Parts
492/492P Service Vol. 2 (B030000 & Up)

Component No.	Tektronix Part No.	Serial/Assembly No. Effective	Dscont	Name & Description	Mfr. Code	Mfr. Part No.
AT10	119-1007-00	B030000	B041979	ATTENUATOR, VAR:0-60DB IN 10DB STEPS	80009	119-1007-00
AT10	119-1007-03	B041980	B042749	ATTENUATOR, VAR:0-60DB IN 10DB STEPS	80009	119-1007-03
AT10	119-1007-05	B042750	B053645	ATTENUATOR, VAR:0-60DB IN 10DB STEPS	80009	119-1007-05
AT10	119-1007-08	B053646		ATTENUATOR, VAR:0-60DB IN 10DB STEPS (OPTION 06 ONLY)	80009	119-1007-08
AT10	119-1007-07	B053646		ATTENUATOR, VAR:0-60DB IN 10DB STEPS (OPTIONS 01,03 & 08 ONLY)	80009	119-1007-07
AT11	015-1053-00			ATTENUATOR, FXD:3DB (OPTION 01 ONLY)	26805	2082-4182-03
AT12	015-1053-00			ATTENUATOR, FXD:3DB	26805	2082-4182-03
A10	119-1061-00			LIMITER ASSY:2GHZ (OPTION 01 ONLY)	80009	119-1061-00
A11	119-1164-00	B030000	B043041	BIAS RETURN: (OPTION 01 & 08 ONLY)	80009	119-1164-00
A11	119-1164-00			BIAS RETURN: (OPTION 03 ONLY)	80009	119-1164-00
A12	119-1017-00	B030000	B053784	FIRST CONV ASSY:	80009	119-1017-00
A12	119-1017-01	B053785		FIRST CONV ASSY:	80009	119-1017-01
A12A1	155-0189-02			MICROCKT, LINEAR:DUAL DIODE W/HOUSING (NO ELECTRICAL PARTS)	80009	155-0189-02
A13	119-1019-00			POWER DIV ASSY:	80009	119-1019-00
A14	119-1095-00			DIPLEXER ASSY:	80009	119-1095-00
A16	119-0752-01	B030000	B053845	OSCILLATOR, RF:2.0 TO 6.1 GHZ, W/CAN &	80009	119-0752-01
A16	119-0752-02	B053846		OSCILLATOR, RF:2.0 TO 6.1 GHZ W/CAN	80009	119-0752-02
A16A1	670-5540-00			CIRCUIT BD ASSY:1ST L O INTERFACE	80009	670-5540-00
A18	119-1096-00	B030000	B041299	SEC CONV ASSY:2072MHZ	80009	119-1096-00
A18	119-1096-01	B041300		SEC CONV ASSY: (PART OF A18)	80009	119-1096-01
A18A1	-----					
A19	119-1845-00	B030000	B055457	110MHZ IF ASSY: (OPTION 42 ONLY)	80009	119-1845-00
A19	119-1845-01	B055458	B055916	110MHZ IF ASSY: (OPTION 42 ONLY)	80009	119-1845-01
A19	119-1845-02	B055917		110MHZ IF ASSY: (OPTION 42 ONLY)	80009	119-1845-02
A19A1	670-8650-00	B030000	B055457	CIRCUIT BD ASSY:110MHZ IF OUT (OPTION 42 ONLY)	80009	670-8650-00
A19A1	670-8650-01	B055458	B055916	CIRCUIT BD ASSY:110MHZ IF OUT (OPTION 42 ONLY)	80009	670-8650-01
A19A1	670-8650-02	B055917		CIRCUIT BD ASSY:110MHZ IF OUT (OPTION 42 ONLY)	80009	670-8650-02
A20	119-1022-02	B030000	B039999	OSCILLATOR, RF:2182, 5MHZ	80009	119-1022-02
A20A1	-----	B030000	B039999	(PART OF A20)		
A21	670-5512-02	B030000	B031031	CIRCUIT BD ASSY:SHAPER/BIAS (492 ONLY)	80009	670-5512-02
A21	670-5512-04	B031032	B039999	CIRCUIT BD ASSY:SHAPER/BIAS (492 ONLY)	80009	670-5512-04
A21	670-5512-02	B030000	B031536	CIRCUIT BD ASSY:SHAPER/BIAS (492P ONLY)	80009	670-5512-02
A21	670-5512-04	B031537	B039999	CIRCUIT BD ASSY:SHAPER/BIAS (492P ONLY)	80009	670-5512-04
A22	650-0296-00	B040000	B041999	2ND LO ASSY:PHASE LOCK	80009	650-0296-00
A22	650-0296-01	B042000	B053998	2ND LO ASSY:PHASE LOCK	80009	650-0296-01
A22	650-0296-02	B053999	B056124	2ND LO ASSEMBLY:	80009	650-0296-02
A22	650-0296-03	B056125		PHASE LOCK ASSY:	80009	650-0296-03
A22A1	670-7078-00	B040000	B042184	CIRCUIT BD ASSY:14-22MHZ PHASELOCK	80009	670-7078-00
A22A1	670-7078-01	B042185		CIRCUIT BD ASSY:14-22MHZ PHASELOCK	80009	670-7078-01
A22A2	119-1457-00	B040000	B041999	PH LOCK LO ASSY:	80009	119-1457-00
A22A2	119-1457-01	B042000	B053998	PHASE LOCK LO:	80009	119-1457-01
A22A2	119-1457-02	B053999		PH, LOCK LO ASSY:	80009	119-1457-02
A22A2A1	670-7395-00	B040000	B041999	CIRCUIT BD ASSY:2182 MHZ MICRO STRIP OSC	80009	670-7395-00
A22A2A1	670-7395-01	B042000		CIRCUIT BD ASSY:2182MHZ MICRO STRIP OSC	80009	670-7395-01

Replaceable Electrical Parts
492/492P Service Vol. 2 (B030000 & Up)

Component No.	Tektronix Part No.	Serial/Assembly No. Effective	Dscont	Name & Description	Mfr. Code	Mfr. Part No.
A22A2A2	670-7076-00	B040000	B053998	CIRCUIT BD ASSY:2200MHZ REFERENCE	80009	670-7076-00
A22A2A2	670-7076-01	B053999		CIRCUIT BD ASSY:2200MHZ REF	80009	670-7076-01
A22A2A3	670-7079-00	B040000		CIRCUIT BD ASSY:2200MHZ REFERENCE MIXER	80009	670-7079-00
A23	119-1131-01	B030000	B041819	SEC CONV ASSY:829MHZ	80009	119-1131-01
A23	119-1131-02	B041820	B053798	SEC CONV ASSY:829MHZ	80009	119-1131-02
A23	119-1131-03	B053799	B054651	SEC CONV ASSY:829MHZ	80009	119-1131-03
A23	119-1131-04	B054652	B055961	SEC CONV ASSY:829MHZ	80009	119-1131-04
A23	119-1131-05	B055962		SEC CONN ASSY:829MHZ	80009	119-1131-05
A23A1	670-5936-00			CIRCUIT BD ASSY:719MHZ SECOND LO	80009	670-5936-00
A23A2	670-5937-02	B030000	B041819	CIRCUIT BD ASSY:25MHZ PHASE LOCK	80009	670-5937-02
A23A2	670-5937-03	B041820		CIRCUIT BD ASSY:25MHZ PHASE LOCK	80009	670-5937-03
A23A3	670-6016-00			CIRCUIT BD ASSY:829MHZ HARMONIC MIXER	80009	670-6016-00
A23A4	670-6256-00	B030000	B053798	CIRCUIT BD ASSY:829MHZ DIPLEXER	80009	670-6256-00
A23A4	670-6256-01	B053799	B054651	CIRCUIT BD ASSY:829MHZ DIPLEXER	80009	670-6256-01
A23A4	670-6256-02	B054652	B055961	CIRCUIT BD ASSY:829MHZ DIPLEXER	80009	670-6256-02
A23A4	670-6256-03	B055962		CIRCUIT BD ASSY:829MHZ DIPLEXER	80009	670-6256-03
A23A5	670-6255-01			CIRCUIT BD ASSY:829MHZ AMPL	80009	670-6255-01
A23A6	670-6015-01			CIRCUIT BD ASSY:110MHZ IF SELECT	80009	670-6015-01
A23A7	670-6224-00			CIRCUIT BD ASSY:829MHZ,SECOND CONVERTER	80009	670-6224-00
A24	119-1010-00	B030000	B054413	HYBRID CKT ASSY:PHASE GATE DETECTOR (OPTION 03 ONLY)	80009	119-1010-00
A24	119-1010-02	B054414		HYBRID CKT ASSY:PHASE GATE DETECTOR (OPTION 03 ONLY)	80009	119-1010-02
A24A1	670-5957-00	B030000	B054413	CIRCUIT BD ASSY:PHASE GATE INPUT (OPTION 03 ONLY)	80009	670-5957-00
A24A1	670-5957-01	B054414		CIRCUIT BD ASSY:PHASE GATE INPUT (OPTION 03 ONLY)	80009	670-5957-01
A28	670-5561-01			CIRCUIT BD ASSY:MAIN MOTHER	80009	670-5561-01
A30	621-0488-00	B030000	B049999	POWER SPLY ASSY:HIGH VOLTAGE (492 ONLY)	80009	621-0488-00
A30	621-0488-01	B050000	B055843	POWER SPLY ASSY:HIGH VOLTAGE (492 ONLY)	80009	621-0488-01
A30	621-0488-03	B055844		POWER SPLY ASSY: (492 ONLY)	80009	621-0488-03
A30	621-0483-00	B030000	B049999	POWER SPLY ASSY:HIGH VOLTAGE (492 OPTION 30,31,32 ONLY)	80009	621-0483-00
A30	621-0483-01	B050000	B055034	POWER SPLY ASSY:HIGH VOLTAGE (492 OPTION 30,31,32 ONLY)	80009	621-0483-01
A30	621-0483-03	B055035	B055875	POWER SPLY ASSY:HIGH VOLTAGE (OPTION 30,31,32 ONLY)	80009	621-0483-03
A30	621-0483-05	B055876	B055987	POWER SUPPLY:492 OPT 30/31/32 (OPTION 30,31,32 ONLY)	80009	621-0483-05
A30	621-0483-06	B055988		POWER SUPPLY: (OPTION 30,31,32 ONLY)	80009	621-0483-06
A30	621-0010-00	B030000	B055801	POWER SPLY ASSY:HIGH VOLTAGE (492 OPTION 42 ONLY)	80009	621-0010-00
A30	621-0010-01	B055802		POWER SPLY ASSY:HIGH VOLTAGE (492 OPTION 42 ONLY)	80009	621-0010-01
A30	621-0481-01	B030000	B049999	POWER SPLY ASSY:HIGH VOLTAGE (492P ONLY)	80009	621-0481-01
A30	621-0481-02	B050000	B055855	POWER SPLY ASSY:HIGH VOLTAGE (492P ONLY)	80009	621-0481-02
A30	621-0481-04	B055856		POWER SPLY ASSY:HIGH VOLTAGE (492P ONLY)	80009	621-0481-04
A30	621-0485-00	B030000	B049999	POWER SPLY ASSY:HIGH VOLTAGE (492P OPTION 30,31,32 ONLY)	80009	621-0485-00
A30	621-0485-01	B050000	B055034	POWER SPLY ASSY:HIGH VOLTAGE (492P OPTION 30,31,32 ONLY)	80009	621-0485-01
A30	621-0485-03	B055035	B055845	POWER SPLY ASSY:HIGH VOLTAGE (492P OPTION 30,31,32 ONLY)	80009	621-0485-03
A30	621-0485-05	B055846		POWER SPLY ASSY:HIGH VOLTAGE (492P OPTION 30,31,32 ONLY)	80009	621-0485-05
A30	621-0009-00	B030000	B055839	POWER SPLY ASSY:HIGH VOLTAGE (492P OPTION 42 ONLY)	80009	621-0009-00

Replaceable Electrical Parts
492/492P Service Vol. 2 (B030000 & Up)

Component No.	Tektronix Part No.	Serial/Assembly No. Effective	Discnt	Name & Description	Mfr. Code	Mfr. Part No.
A30	621-0009-01	B055840		POWER SPLY ASSY:HIGH VOLTAGE (492P OPTION 42 ONLY)	80009	621-0009-01
A30	621-0012-00	B030000	B055034	POWER SPLY ASSY:HIGH VOLTAGE (492 OPTION 30,31,32,42 ONLY)	80009	621-0012-00
A30	621-0012-01	B055035		POWER SPLY ASSY:HIGH VOLTAGE (492 OPTION 30,31,32,42 ONLY)	80009	621-0012-01
A30	621-0013-00	B030000	B055034	POWER SPLY ASSY:HIGH VOLTAGE (492P OPTION 30,31,32,42 ONLY)	80009	621-0013-00
A30	621-0013-01	B055035		POWER SPLY ASSY:HIGH VOLTAGE (492P OPTION 30,31,32,42 ONLY)	80009	621-0013-01
A30A1	670-5564-01	B030000	B041454	CIRCUIT BD ASSY:MAIN POWER SUPPLY	80009	670-5564-01
A30A1	670-5564-02	B041455	B055801	CIRCUIT BD ASSY:MAIN POWER SUPPLY	80009	670-5564-02
A30A1	670-5564-04	B055802		CIRCUIT BD ASSY:MAIN POWER SUPPLY	80009	670-5564-04
A30A2	670-5933-00	B030000	B031618	CIRCUIT BD ASSY:FAN DRIVE	80009	670-5933-00
A30A2	670-7226-00	B031619		CIRCUIT BD ASSY:FAN DRIVE	80009	670-7226-00
A30A2	671-0038-00	B055988		CIRCUIT BD ASSY:RACK MOUNT FAN DRIVER (OPTION 30,31,32 ONLY)	80009	671-0038-00
A30A57	670-5556-00			CIRCUIT BD ASSY:GPIB INTERFACE (492P ONLY)	80009	670-5556-00
A30A76	670-5558-01	B030000	B049999	CIRCUIT BD ASSY:RELAY DRIVER	80009	670-5558-01
A30A76	670-5558-02	B050000		CIRCUIT BD ASSY:RELAY DRIVER	80009	670-5558-02
A32	119-1015-00			FILTER,AMPL:110MHZ	80009	119-1015-00
A32A1	-----			CIRCUIT BD ASSY:110 IF (PART OF A32)		
A34	119-1023-00	B030000	B041449	OSC/MIXER ASSY:100MHZ (492 ONLY)	80009	119-1023-00
A34	119-1023-01	B041450	B043226	OSC/MIXER ASSY:100MHZ (492 ONLY)	80009	119-1023-01
A34	119-1023-00	B030000	B041659	OSC/MIXER ASSY:100MHZ (492P ONLY)	80009	119-1023-00
A34	119-1023-01	B041660	B043226	OSC/MIXER ASSY:100MHZ (492P ONLY)	80009	119-1023-01
A34	119-1023-02	B043227		OSC/MIXER ASSY:100 MHZ (492P ONLY)	80009	119-1023-02
A34A1	670-5526-00	B030000	B041449	CIRCUIT BD ASSY:110 MIXER/OSC (492 ONLY)	80009	670-5526-00
A34A1	670-5526-02	B041450		CIRCUIT BD ASSY:110 MIXER/OSC (492 ONLY)	80009	670-5526-02
A34A1	670-5526-00	B030000	B041659	CIRCUIT BD ASSY:110 MIXER/OSC (492P ONLY)	80009	670-5526-00
A34A1	670-5526-02	B041660		CIRCUIT BD ASSY:110 MIXER/OSC (492P ONLY)	80009	670-5526-02
A34A2	670-6204-00			CIRCUIT BD ASSY:100 MHZ L/O REGULATOR	80009	670-6204-00
A38	670-7050-00	B030000	B043040	CIRCUIT BD ASSY:FR PNL	80009	670-7050-00
A38	670-7050-01	B043041	B054244	CIRCUIT BD ASSY:FR PNL	80009	670-7050-01
A38	670-7050-02	B054245	B054639	CIRCUIT BD ASSY:FRONT PANEL	80009	670-7050-02
A38	670-7050-03	B054640	B054980	CIRCUIT BD ASSY:FRONT PANEL	80009	670-7050-03
A38	670-7050-04	B054981	B055824	CIRCUIT BD ASSY:FRONT PANEL	80009	670-7050-04
A38	670-7050-05	B055825		CIRCUIT BD ASSY:FRONT PANEL	80009	670-7050-05
A40	670-5539-01	B030000	B049999	CIRCUIT BD ASSY:LEVELING	80009	670-5539-01
A40	670-5539-03	B050000		CIRCUIT BD ASSY:VIDEO PROCESSOR	80009	670-5539-03
A42	670-5552-03	B030000	B055766	CIRCUIT BD ASSY:PRESELECTOR DRIVER (OPTION 01 ONLY)	80009	670-5552-03
A42	670-5552-05	B055767		CIRCUIT BD ASSY:PRESELECTOR DRIVER (OPTION 01 ONLY)	80009	670-5552-05
A44	670-5551-03	B030000	B041844	CIRCUIT BD ASSY:1ST LO DRIVER	80009	670-5551-03
A44	670-5551-04	B041845	B042699	CIRCUIT BD ASSY:1ST LO DRIVER	80009	670-5551-04
A44	670-5551-05	B042700	B054836	CIRCUIT BD ASSY:1ST LO DRIVER	80009	670-5551-05
A44	670-5551-06	B054837		CIRCUIT BD ASSY:1ST LO DRIVER	80009	670-5551-06
A46	670-5547-01	B030000	B042479	CIRCUIT BD ASSY:CENTER FREQ CONTROL	80009	670-5547-01
A46	670-5547-02	B042480	B042679	CIRCUIT BD ASSY:CENTER FREQ CONTROL	80009	670-5547-02
A46	670-5547-03	B042680	B055507	CIRCUIT BD ASSY:CENTER FREQ CONTROL	80009	670-5547-03

Replaceable Electrical Parts
492/492P Service Vol. 2 (B030000 & Up)

Component No.	Tektronix Part No.	Serial/Assembly No. Effective	Dscont	Name & Description	Mfr. Code	Mfr. Part No.
A46	670-9094-00	B055508	B055800	CIRCUIT BD ASSY:CENTER FREQ CONT	80009	670-9094-00
A46	670-9094-01	B055801		CIRCUIT BD ASSY:CENTER FREQ CONT	80009	670-9094-01
A46A1	670-7939-00	B042480	B042539	CIRCUIT BD ASSY:INTFC	80009	670-7939-00
A46A1	670-7939-01	B042540	B055507	CIRCUIT BD ASSY:INTFC	80009	670-7939-01
A46A3	670-7939-00	B042480	B042539	CIRCUIT BD ASSY:INTFC	80009	670-7939-00
A46A3	670-7939-01	B042540	B055507	CIRCUIT BD ASSY:INTFC	80009	670-7939-01
A48	670-5550-01			CIRCUIT BD ASSY:SPAN ATTENUATOR	80009	670-5550-01
A50	119-1069-00	B030000	B031129	PHASE LOCK ASSY:SYNTHESIZER (492 OPTION 03 ONLY)	80009	119-1069-00
A50	119-1069-01	B031130	B031279	PHASE LOCK ASSY:SYNTHESIZER (492 OPTION 03 ONLY)	80009	119-1069-01
A50	119-1069-02	B031280	B053912	PHASE LOCK ASSY:SYNTHESIZER (492 OPTION 03 ONLY)	80009	119-1069-02
A50	119-1069-03	B053913	B054333	PHASE LOCK ASSY:SYNTHESIZER (492 OPTION 03 ONLY)	80009	119-1069-03
A50	119-1069-04	B054334	B055784	PHASE LOCK ASSY:SYNTHESIZER (492 OPTION 03 ONLY)	80009	119-1069-04
A50	119-1069-05	B055785		PHASE LOCK ASSY:SYNTHESIZER (492 OPTION 03 ONLY)	80009	119-1069-05
A50	119-1069-00	B030000	B031460	PHASE LOCK ASSY:SYNTHESIZER (492P OPTION 03 ONLY)	80009	119-1069-00
A50	119-1069-01	B031461	B041659	PHASE LOCK ASSY:SYNTHESIZER (492P OPTION 03 ONLY)	80009	119-1069-01
A50	119-1069-02	B041660	B053912	PHASE LOCK ASSY:SYNTHESIZER (492P OPTION 03 ONLY)	80009	119-1069-02
A50	119-1069-03	B053913	B054333	PHASE LOCK ASSY:SYNTHESIZER (492P OPTION 03 ONLY)	80009	119-1069-03
A50	119-1069-04	B054334	B055784	PHASE LOCK ASSY:SYNTHESIZER (492P OPTION 03 ONLY)	80009	119-1069-04
A50	119-1069-05	B055785		PHASE LOCK ASSY:SYNTHESIZER (492P OPTION 03 ONLY)	80009	119-1069-05
A50A1	670-5519-00	B030000	B053874	CIRCUIT BD ASSY:SYNTHESIZER (OPTION 03 ONLY)	80009	670-5519-00
A50A1	670-5519-01	B053875		CIRCUIT BD ASSY:SYNTHESIZER (OPTION 03 ONLY)	80009	670-5519-01
A50A2	670-5520-01	B030000	B031129	CIRCUIT BD ASSY:STROBE DRIVER (OPTION 03 ONLY)	80009	670-5520-01
A50A2	670-5520-02	B031130		CIRCUIT BD ASSY:STROBE DRIVER (OPTION 03 ONLY)	80009	670-5520-02
A50A3	670-5522-01	B030000	B055784	CIRCUIT BD ASSY:OFFSET MIXER (OPTION 03 ONLY)	80009	670-5522-01
A50A3	670-5522-02	B055785		CIRCUIT BD ASSY:OFFSET MIXER (OPTION 03 ONLY)	80009	670-5522-02
A50A4	670-5521-03	B030000	B031129	CIRCUIT BD ASSY:ERROR AMPL (492 OPTION 03 ONLY)	80009	670-5521-03
A50A4	670-5521-04	B031130	B031279	CIRCUIT BD ASSY:ERROR AMPL (492 OPTION 03 ONLY)	80009	670-5521-04
A50A4	670-5521-05	B031280	B054333	CIRCUIT BD ASSY:ERROR AMPL (492 OPTION 03 ONLY)	80009	670-5521-05
A50A4	670-5521-06	B054334	B055784	CIRCUIT BD ASSY:ERROR AMPL (492 OPTION 03 ONLY)	80009	670-5521-06
A50A4	670-5521-07	B055785		CIRCUIT BD ASSY:ERROR AMPL (492 OPTION 03 ONLY)	80009	670-5521-07
A50A4	670-5521-03	B030000	B031460	CIRCUIT BD ASSY:ERROR AMPL (492P OPTION 03 ONLY)	80009	670-5521-03
A50A4	670-5521-04	B031461	B041659	CIRCUIT BD ASSY:ERROR AMPL (492P OPTION 03 ONLY)	80009	670-5521-04
A50A4	670-5521-05	B041660	B054333	CIRCUIT BD ASSY:ERROR AMPL (492P OPTION 03 ONLY)	80009	670-5521-05
A50A4	670-5521-06	B054334	B055784	CIRCUIT BD ASSY:ERROR AMPL (492P OPTION 03 ONLY)	80009	670-5521-06
A50A4	670-5521-07	B055785		CIRCUIT BD ASSY:ERROR AMPL (492P OPTION 03 ONLY)	80009	670-5521-07

Replaceable Electrical Parts
492/492P Service Vol. 2 (B030000 & Up)

Component No.	Tektronix Part No.	Serial/Assembly No. Effective	Discont	Name & Description	Mfr. Code	Mfr. Part No.
A50A5	670-5524-00	B030000	B031279	CIRCUIT BD ASSY:CONTROLLED OSC (492 OPTION 03 ONLY)	80009	670-5524-00
A50A5	670-5524-01	B031280	B054269	CIRCUIT BD ASSY:CONTROLLED OSC (492 OPTION 03 ONLY)	80009	670-5524-01
A50A5	670-5524-02	B054270		CIRCUIT BD ASSY:CONTROLLED OSC (492 OPTION 03 ONLY)	80009	670-5524-02
A50A5	670-5524-00	B030000	B041659	CIRCUIT BD ASSY:CONTROLLED OSC (492P OPTION 03 ONLY)	80009	670-5524-00
A50A5	670-5524-01	B041660	B054269	CIRCUIT BD ASSY:CONTROLLED OSC (492P OPTION 03 ONLY)	80009	670-5524-01
A50A5	670-5524-02	B054270		CIRCUIT BD ASSY:CONTROLLED OSC (492P OPTION 03 ONLY)	80009	670-5524-02
A51	670-5523-00	B030000	B031129	CIRCUIT BD ASSY:PHASE LOCK CONTROL (492 OPTION 03 ONLY)	80009	670-5523-00
A51	670-5523-01	B031130	B053912	CIRCUIT BD ASSY:PATCH/IN5200 (492 OPTION 03 ONLY)	80009	670-5523-01
A51	670-5523-02	B053913		CIRCUIT BD ASSY:PATCH/IN5200 (492 OPTION 03 ONLY)	80009	670-5523-02
A51	670-5523-00	B030000	B031460	CIRCUIT BD ASSY:PHASE LOCK CONTROL (492P OPTION 03 ONLY)	80009	670-5523-00
A51	670-5523-01	B031461	B053912	CIRCUIT BD ASSY:PATCH/IN5200 (492P OPTION 03 ONLY)	80009	670-5523-01
A51	670-5523-02	B053913		CIRCUIT BD ASSY:PATCH/IN5200 (492P OPTION 03 ONLY)	80009	670-5523-02
A54	670-5546-01	B030000	B042799	CIRCUIT BD ASSY:MEMORY (492 ONLY)	80009	670-5546-01
A54	670-5546-02	B042800		CIRCUIT BD ASSY:MEMORY (492 ONLY)	80009	670-5546-02
A54	670-6946-03	B030000	B042799	CIRCUIT BD ASSY:MEMORY (492P ONLY)	80009	670-6946-03
A54	670-6946-04	B042800	B054819	CIRCUIT BD ASSY:MEMORY (492P ONLY)	80009	670-6946-04
A54	670-6946-06	B054820		CIRCUIT BD ASSY:MEMORY (492P ONLY)	80009	670-6946-06
A54	670-8414-00	B030000	B054819	CIRCUIT BD ASSY:MEMORY (492P OPTION 11 ONLY)	80009	670-8414-00
A54	670-8414-01	B054820		CIRCUIT BD ASSY:MEMORY (492P OPTION 11 ONLY)	80009	670-8414-01
A54	670-8469-00			CIRCUIT BD ASSY:MEMORY (492 OPTION 41 ONLY)	80009	670-8469-00
A54	670-8470-00	B030000	B054819	CIRCUIT BD ASSY:MEMORY (492P OPTION 41 ONLY)	80009	670-8470-00
A54	670-8470-01	B054820		CIRCUIT BD ASSY:MEMORY (492P OPTION 41 ONLY)	80009	670-8470-01
A54	670-8787-00	B054820		CIRCUIT BD ASSY:MEMORY (492P OPTION 11/41 ONLY)	80009	670-8787-00
A56	670-5543-01	B030000	B054819	CIRCUIT BD ASSY:GPIB (492P ONLY)	80009	670-5543-01
A56	670-5543-03	B054820		CIRCUIT BD ASSY:GPIB (492P ONLY)	80009	670-5543-03
A56	670-8413-00	B030000	B054819	CIRCUIT BD ASSY:GPIB (492P OPTION 11 ONLY)	80009	670-8413-00
A56A1	670-7060-00	B030000	B054819	CIRCUIT BD ASSY:GPIB EXTENDER (492P ONLY, CONTAINS NO ELEC PARTS)	80009	670-7060-00
A56A1	670-7916-01	B054820		CIRCUIT BD ASSY:GPIB EXTENDER (492P ONLY, CONTAINS NO ELEC PARTS)	80009	670-7916-01
A58	670-5542-00	B030000	B031419	CIRCUIT BD ASSY:PROCESSOR (492 ONLY)	80009	670-5542-00
A58	670-5542-01	B031420		CIRCUIT BD ASSY:PROCESSOR (492 ONLY)	80009	670-5542-01
A58	670-5542-00	B030000	B031659	CIRCUIT BD ASSY:PROCESSOR (492P ONLY)	80009	670-5542-00
A58	670-5542-01	B031660	B054819	CIRCUIT BD ASSY:PROCESSOR (492P ONLY)	80009	670-5542-01

Replaceable Electrical Parts
492/492P Service Vol. 2 (B030000 & Up)

Component No.	Tektronix Part No.	Serial/Assembly No. Effective	Dscont	Name & Description	Mfr. Code	Mfr. Part No.
A58	670-7895-00	B054820		CIRCUIT BD ASSY:PROCESSOR (492P ONLY)	80009	670-7895-00
A60	670-5555-00	B030000	B041894	CIRCUIT BD ASSY:DIGITAL STORAGE INTFC (OPTION 02 ONLY)	80009	670-5555-00
A60	670-5555-01	B041895	B043114	CIRCUIT BD ASSY:DIGITAL STORAGE INTFC (OPTION 02 ONLY)	80009	670-5555-01
A60	670-5555-02	B043115	B043349	CIRCUIT BD ASSY:DIGITAL STORAGE INTFC (OPTION 02 ONLY)	80009	670-5555-02
A60	670-5555-03	B043350	B053994	CIRCUIT BD ASSY:DIGITAL STORAGE INTFC (OPTION 02 ONLY)	80009	670-5555-03
A60	670-5555-04	B053995	B055949	CIRCUIT BD ASSY:DIGITAL STORAGE INTERFACE (OPTION 02 ONLY)	80009	670-5555-04
A60	670-5555-05	B055950	B056032	CIRCUIT BD ASSY:DIGITAL STORAGE INTERFACE (OPTION 02 ONLY)	80009	670-5555-05
A60	670-5555-06	B056033		CIRCUIT BD ASSY:DIGITAL STORAGE INTERFACE (OPTION 02 ONLY)	80009	670-5555-06
A61	670-5554-00	B030000	B042219	CIRCUIT BD ASSY:DIGITAL STORAGE (OPTION 02 ONLY)	80009	670-5554-00
A61	670-5554-01	B042220	B043114	CIRCUIT BD ASSY:DIGITAL STORAGE (OPTION 02 ONLY)	80009	670-5554-01
A61	670-5554-03	B043115	B056032	CIRCUIT BD ASSY:DIGITAL STORAGE (OPTION 02 ONLY)	80009	670-5554-03
A61	670-5554-04	B056033		CIRCUIT BD ASSY:DIGITAL STORAGE (OPTION 02 ONLY)	80009	670-5554-04
A62	670-5548-01	B030000	B043379	CIRCUIT BD ASSY:LOG AMPL	80009	670-5548-01
A62	670-5548-03	B043380	B055876	CIRCUIT BD ASSY:LOG AMP	80009	670-5548-03
A62	670-5548-04	B055877		CIRCUIT BD ASSY:LOG AMP	80009	670-5548-04
A64	670-5553-00	B030000	B054643	CIRCUIT BD ASSY:DEFLECTION AMPS	80009	670-5553-00
A64	670-8083-00	B054644	B055803	CIRCUIT BD ASSY:DEFL AMP	80009	670-8083-00
A64	670-8083-01	B055804	B056050	CIRCUIT BD ASSY:DEFLECTION AMP	80009	670-8083-01
A64	670-8083-02	B056051		CIRCUIT BD ASSY:DEFL AMP	80009	670-8083-02
A66	670-5544-00			CIRCUIT BD ASSY:CRT READOUT	80009	670-5544-00
A68	644-0163-04	B030000	B042199	VAR RESOLN MDL:	80009	644-0163-04
A68	644-0163-06	B042200	B053763	VAR RESOLN MDL:	80009	644-0163-06
A68	644-0163-10	B053764	B054894	VAR RESOLN MDL:	80009	644-0163-10
A68	644-0532-00	B054895	B055479	VAR RESOLN MDL:	80009	644-0532-00
A68	644-0532-01	B055480	B055695	VAR RESOLN MDL:	80009	644-0532-01
A68	644-0532-02	B055696	B055938	VAR RESOLN MDL:	80009	644-0532-02
A68	644-0532-03	B055939		VAR RESOLN MDL:	80009	644-0532-03
A68	644-0163-05	B030000	B042199	VAR RESOLN MDL: (OPTION 03 ONLY)	80009	644-0163-05
A68	644-0163-07	B042200	B053763	VAR RESOLN MDL: (OPTION 03 ONLY)	80009	644-0163-07
A68	644-0163-08	B053764	B054894	VAR RESOLN MDL: (OPTION 03 ONLY)	80009	644-0163-08
A68	644-0531-00	B054895	B055479	VAR RESOLN MDL: (OPTION 03 ONLY)	80009	644-0531-00
A68	644-0531-01	B055480	B055695	VAR RESOLN MDL: (OPTION 03 ONLY)	80009	644-0531-01
A68	644-0531-02	B055696	B055938	VAR RESOLN MDL: (OPTION 03 ONLY)	80009	644-0531-02
A68	644-0531-03	B055939		VAR RESOLN MDL: (OPTION 03 ONLY)	80009	644-0531-03
A68A1	670-5536-01	B030000	B042199	CIRCUIT BD ASSY:#2 VR MOTHER	80009	670-5536-01
A68A1	670-5536-02	B042200	B053763	CIRCUIT BD ASSY:#2 VR MOTHER	80009	670-5536-02
A68A1	670-5536-03	B053764		CIRCUIT BD ASSY:#2 VR MOTHER	80009	670-5536-03
A68A2	670-5534-01	B030000	B031129	CIRCUIT BD ASSY:2ND FILTER SELECT (492 ONLY,XTALS NOT INCL W/THIS CKT BD)	80009	670-5534-01
A68A2	670-5534-02	B031130	B042199	CIRCUIT BD ASSY:2ND FILTER SELECT (492 ONLY,XTALS NOT INCL W/THIS CKT BD)	80009	670-5534-02
A68A2	670-5534-04	B042200	B042399	CIRCUIT BD ASSY:2ND FILTER SELECT (492 ONLY,XTALS NOT INCL W/THIS CKT BD)	80009	670-5534-04
A68A2	670-5534-05	B042400	B042749	CIRCUIT BD ASSY:2ND FILTER SELECT (492 ONLY,XTALS NOT INCL W/THIS CKT BD)	80009	670-5534-05

Replaceable Electrical Parts
492/492P Service Vol. 2 (B030000 & Up)

Component No.	Tektronix Part No.	Serial/Assembly No. Effective	Dscont	Name & Description	Mfr. Code	Mfr. Part No.
A68A2	670-5534-06	B042750		CIRCUIT BD ASSY:2ND FILTER SELECT (492 ONLY,XTALS NOT INCL W/THIS CKT BD)	80009	670-5534-06
A68A2	670-5534-01	B030000	B031113	CIRCUIT BD ASSY:2ND FILTER SELECT (492P ONLY,XTALS NOT INCL W/THIS CKT BD)	80009	670-5534-01
A68A2	670-5534-02	B031114	B042199	CIRCUIT BD ASSY:2ND FILTER SELECT (492P ONLY,XTALS NOT INCL W/THIS CKT BD)	80009	670-5534-02
A68A2	670-5534-04	B042200	B042399	CIRCUIT BD ASSY:2ND FILTER SELECT (492P ONLY,XTALS NOT INCL W/THIS CKT BD)	80009	670-5534-04
A68A2	670-5534-05	B042400	B042749	CIRCUIT BD ASSY:2ND FILTER SELECT (492P ONLY,XTALS NOT INCL W/THIS CKT BD)	80009	670-5534-05
A68A2	670-5534-06	B042750		CIRCUIT BD ASSY:2ND FILTER SELECT (492P ONLY,XTALS NOT INCL W/THIS CKT BD)	80009	670-5534-06
A68A3	670-5533-02	B030000	B053763	CIRCUIT BD ASSY:BAND LEVELING (OPTION 03 ONLY)	80009	670-5533-02
A68A3	670-5533-03	B053764		CIRCUIT BD ASSY:BAND LEVELING (OPTION 03 ONLY)	80009	670-5533-03
A68A4	670-5535-01			CIRCUIT BD ASSY:POST VR AMPL	80009	670-5535-01
A68A5	670-5528-01	B030000	B042199	CIRCUIT BD ASSY:#1 VR MOTHER	80009	670-5528-01
A68A5	670-5528-02	B042200	B055479	CIRCUIT BD ASSY:#1 VR MOTHER	80009	670-5528-02
A68A5	670-5528-03	B055480		CIRCUIT BD ASSY:#1VR MOTHER	80009	670-5528-03
A68A6	670-5529-01			CIRCUIT BD ASSY:VR INPUT	80009	670-5529-01
A68A7	670-5530-01	B030000	B031129	CIRCUIT BD ASSY:1ST FILTER SELECT (492 ONLY,XTALS NOT INCL W/THIS CKT BD)	80009	670-5530-01
A68A7	670-5530-02	B031130	B042199	CIRCUIT BD ASSY:1ST FILTER SELECT (492 ONLY,XTALS NOT INCL W/THIS CKT BD)	80009	670-5530-02
A68A7	670-5530-03	B042200	B042749	CIRCUIT BD ASSY:1ST FILTER SELECT (492 ONLY,XTALS NOT INCL W/THIS CKT BD)	80009	670-5530-03
A68A7	670-5530-04	B042750	B055938	CIRCUIT BD ASSY:1ST FILTER SELECT (492 ONLY,XTALS NOT INCL W/THIS CKT BD)	80009	670-5530-04
A68A7	670-5530-06	B055939		CIRCUIT BD ASSY:1ST FILTER SELECT (492 ONLY,XTALS NOT INCL W/THIS CKT BD)	80009	670-5530-06
A68A7	670-5530-01	B030000	B031113	CIRCUIT BD ASSY:1ST FILTER SELECT (492P ONLY,XTALS NOT INCL W/THIS CKT BD)	80009	670-5530-01
A68A7	670-5530-02	B031114	B042199	CIRCUIT BD ASSY:1ST FILTER SELECT (492P ONLY,XTALS NOT INCL W/THIS CKT BD)	80009	670-5530-02
A68A7	670-5530-03	B042200	B042749	CIRCUIT BD ASSY:1ST FILTER SELECT (492P ONLY,XTALS NOT INCL W/THIS CKT BD)	80009	670-5530-03
A68A7	670-5530-04	B042750	B055938	CIRCUIT BD ASSY:1ST FILTER SELECT (492P ONLY,XTALS NOT INCL W/THIS CKT BD)	80009	670-5530-04
A68A7	670-5530-06	B055939		CIRCUIT BD ASSY:1ST FILTER SELECT (492P ONLY,XTALS NOT INCL W/THIS CKT BD)	80009	670-5530-06
A68A8	670-5531-02	B030000	B042199	CIRCUIT BD ASSY:10DB GAIN STEPS	80009	670-5531-02
A68A8	670-5531-03	B042200	B042329	CIRCUIT BD ASSY:10DB GAIN STEPS	80009	670-5531-03
A68A8	670-5531-04	B042330		CIRCUIT BD ASSY:10DB GAIN STEPS	80009	670-5531-04
A68A9	670-5532-02	B030000	B042199	CIRCUIT BD ASSY:20DB GAIN STEPS	80009	670-5532-02
A68A9	670-5532-03	B042200	B055923	CIRCUIT BD ASSY:20DB GAIN STEPS	80009	670-5532-03
A68A9	670-5532-04	B055924		CIRCUIT BD ASSY:20DB GAIN STEPS	80009	670-5532-04
A68A10	670-6067-00	B053764		CIRCUIT BD ASSY:CRYSTAL HOLDER (NO ELECTRICAL PARTS, QTY 4)	80009	670-6067-00
A70	670-5557-01	B030000	B041949	CIRCUIT BD ASSY:Z AXIS	80009	670-5557-01
A70	670-5557-02	B041950		CIRCUIT BD ASSY:Z AXIS	80009	670-5557-02
A72	670-5549-01	B030000	B042579	CIRCUIT BD ASSY:SWEEP	80009	670-5549-01
A72	670-5549-02	B042580	B053922	CIRCUIT BD ASSY:SWEEP	80009	670-5549-02
A72	670-5549-03	B053923	B056104	CIRCUIT BD ASSY:SWEEP	80009	670-5549-03
A72	670-5549-03	B056009	B056009	CIRCUIT BD ASSY:SWEEP	80009	670-5549-03
A72	670-5549-04	B056010	B056104	CIRCUIT BD ASSY:SWEEP	80009	670-5549-04
A72	670-5549-05	B056105		CIRCUIT BD ASSY:SWEEP	80009	670-5549-05
A74	670-5559-00	B030000	B040219	CIRCUIT BD ASSY:HIG HIGH VOLTAGE	80009	670-5559-00
A74	670-5559-01	B040220	B042289	CIRCUIT BD ASSY:HIG HIGH VOLTAGE	80009	670-5559-01
A74	670-5559-03	B042290	B055210	CIRCUIT BD ASSY:HIG HIGH VOLTAGE	80009	670-5559-03
A74	670-5559-04	B055211	B055871	CIRCUIT BD ASSY:HIG HIGH VOLTAGE	80009	670-5559-04
A74	670-5559-06	B055872	B056119	CIRCUIT BD ASSY:HIG HIGH VOLTAGE	80009	670-5559-06

Replaceable Electrical Parts
492/492P Service Vol. 2 (B030000 & Up)

Component No.	Tektronix Part No.	Serial/Assembly No. Effective	Discont	Name & Description	Mfr. Code	Mfr. Part No.
A74	670-5559-07	B056120		CIRCUIT BD ASSY:HIGH VOLTAGE	80009	670-5559-07
A74A1	119-1159-01			CIRCUIT BD ASSY:HIGH VOLTAGE	80009	119-1159-01
A77	670-5746-00	B030000	B042069	CIRCUIT BD ASSY:CRT GRATICULE LIGHT	80009	670-5746-00
A77	670-5746-01	B042070		CIRCUIT BD ASSY:CRT GRATICULE LIGHT	80009	670-5746-01
AT10	119-1007-00	B030000	B041979	ATTENUATOR,VAR:0-60DB IN 10DB STEPS	80009	119-1007-00
AT10	119-1007-03	B041980	B042749	ATTENUATOR,VAR:0-60DB IN 10DB STEPS	80009	119-1007-03
AT10	119-1007-05	B042750	B053645	ATTENUATOR,VAR:0-60DB IN 10DB STEPS	80009	119-1007-05
AT10	119-1007-08	B053646		ATTENUATOR,VAR:0-60DB IN 10DB STEPS (OPTION 06 ONLY)	80009	119-1007-08
AT10	119-1007-07	B053646		ATTENUATOR,VAR:0-60DB IN 10DB STEPS (OPTIONS 01,03 & 08 ONLY)	80009	119-1007-07
AT11	015-1053-00			ATTENUATOR,FXD:3DB (OPTION 01 ONLY)	26805	2082-4182-03
AT12	015-1053-00			ATTENUATOR,FXD:3DB	26805	2082-4182-03
A10	119-1061-00			LIMITER ASSY:2GHZ (OPTION 01 ONLY)	80009	119-1061-00
A11	119-1164-00	B030000	B043041	BIAS RETURN: (OPTION 01 & 08 ONLY)	80009	119-1164-00
A11	119-1164-00			BIAS RETURN: (OPTION 03 ONLY)	80009	119-1164-00
A12	119-1017-00	B030000	B053784	FIRST CONV ASSY:	80009	119-1017-00
A12	119-1017-01	B053785		FIRST CONV ASSY:	80009	119-1017-01
A12A1	155-0189-02			MICROCKT,LINEAR:DUAL DIODE W/HOUSING (NO ELECTRICAL PARTS)	80009	155-0189-02
A13	119-1019-00			POWER DIV ASSY:	80009	119-1019-00
A14	119-1095-00			DIPLXER ASSY:	80009	119-1095-00
A16	119-0752-01	B030000	B053845	OSCILLATOR,RF:2.0 TO 6.1 GHZ,W/CAN &	80009	119-0752-01
A16	119-0752-02	B053846		OSCILLATOR,RF:2.0 TO 6.1 GHZ W/CAN	80009	119-0752-02
A16C1013	290-0778-00	B010485		CAP,FXD,ELCTLT:1UF,+50 -10%,50V,NPLZD	54473	ECE-A50N1
A16A1	670-5540-00			CIRCUIT BD ASSY:1ST L O INTERFACE	80009	670-5540-00
A16A1C1012	290-0326-02			CAP,FXD,ELCTLT:820UF,10%,6V	56289	109D827X9006F2
A16A1C1014	290-0326-02			CAP,FXD,ELCTLT:820UF,10%,6V	56289	109D827X9006F2
A16A1C1016	290-0529-00			CAP,FXD,ELCTLT:47UF,20%,20V	05397	T362C476M020AS
A16A1K1015	148-0076-00			RLY,REED:FRM A,250MA,100V,COIL,5V,500 OHM	15636	R4060-1
A16A1L1011	108-0205-00	B041489		COIL,RF:FIXED,1MH	76493	8209
A16A1R1011	315-0100-00	B030000	B041488	RES,FXD,FILM:10 OHM,5%,0.25W	19701	5043CX10RR00J
A16A1VR1010	152-0590-00			SEMICOND DVC,DI:ZEN,SI,18V,5%,400MW	12954	1N967B
A16A1VR1018	152-0304-00			SEMICOND DVC,DI:ZEN,SI,20V,5%,0.4W,DO-7	15238	Z5411
A16A1VR1019	152-0304-00			SEMICOND DVC,DI:ZEN,SI,20V,5%,0.4W,DO-7	15238	Z5411
A18	119-1096-00	B030000	B041299	SEC CONV ASSY:2072MHZ	80009	119-1096-00
A18	119-1096-01	B041300		SEC CONV ASSY:	80009	119-1096-01
A18W140	175-2199-00	B030000	B055830	CABLE ASSY,RF:50 OHM COAX,13.04 L	80009	175-2199-00
A18W140	175-2199-02	B055831		CABLE ASSY,RF:50 OHM COAX,13.04 L (PART OF A18)	80009	175-2199-02
A18A1	-----					
A19	119-1845-00	B030000	B055457	110MHZ IF ASSY: (OPTION 42 ONLY)	80009	119-1845-00
A19	119-1845-01	B055458	B055916	110MHZ IF ASSY: (OPTION 42 ONLY)	80009	119-1845-01
A19	119-1845-02	B055917		110MHZ IF ASSY: (OPTION 42 ONLY)	80009	119-1845-02
A19C190	281-0825-00			CAP,FXD,CER DI:0.005UF,+100-0%,100V	33095	51-726-008
A19A1	670-8650-00	B030000	B055457	CIRCUIT BD ASSY:110MHZ IF OUT (OPTION 42 ONLY)	80009	670-8650-00
A19A1	670-8650-01	B055458	B055916	CIRCUIT BD ASSY:110MHZ IF OUT (OPTION 42 ONLY)	80009	670-8650-01
A19A1	670-8650-02	B055917		CIRCUIT BD ASSY:110MHZ IF OUT (OPTION 42 ONLY)	80009	670-8650-02
A19A1C10	283-0322-00	B030000	B055457	CAP,FXD,CER DI:12PF,5%,50V	29454	500R11N127J04
A19A1C10	283-5008-00	B055458		CAP,FXD,CER DI:12PF,+/- 5%,50V	80009	283-5008-00

Replaceable Electrical Parts
492/492P Service Vol. 2 (B030000 & Up)

Component No.	Tektronix Part No.	Serial/Assembly No. Effective	Discont	Name & Description	Mfr. Code	Mfr. Part No.
A19A1C12	283-0313-00	B030000	B055457	CAP, FXD, CER DI: 15PF, 10%, 100V	04222	ULA151A150K2T60
A19A1C12	283-5009-00	B055458		CAP, FXD, CER DI: 15PF, +/- 5%, 50V	80009	283-5009-00
A19A1C14	281-0158-00	B030000	B055457	CAP, VAR, CER DI: 7-45PF, 100WDC SUBMIN CER DISC TOP ADJ	59660	518-006 G 7-45
A19A1C14	281-0267-00	B055458		CAP, VAR, PLASTIC: 6-50PF, 50V	80009	281-0267-00
A19A1C16	283-0822-00	B030000	B055457	CAP, FXD, CER DI: 3.9PF, 25%, 50V	29454	500R15C3R9CP4
A19A1C16	283-5005-00	B055458		CAP, FXD, CER DI: 4PF, +/- 0.25PF, 50V	54583	C3216C0G1H040C
A19A1C18	283-0313-00	B030000	B055457	CAP, FXD, CER DI: 15PF, 10%, 100V	04222	ULA151A150K2T60
A19A1C18	283-5009-00	B055458		CAP, FXD, CER DI: 15PF, +/- 5%, 50V	80009	283-5009-00
A19A1C20	281-0158-00	B030000	B055457	CAP, VAR, CER DI: 7-45PF, 100WDC SUBMIN CER DISC TOP ADJ	59660	518-006 G 7-45
A19A1C20	281-0267-00	B055458		CAP, VAR, PLASTIC: 6-50PF, 50V	80009	281-0267-00
A19A1C22	283-0415-00	B030000	B055457	CAP, FXD, CER DI: 4.7PF, 0.5PF, 100V	04222	ULA151A4R7J8
A19A1C22	283-5006-00	B055458		CAP, FXD, CER DI: 5PF, +/- 0.25PF, 50V	54583	C3216C0G1H050C
A19A1C24	283-0313-00	B030000	B055457	CAP, FXD, CER DI: 15PF, 10%, 100V	04222	ULA151A150K2T60
A19A1C24	283-5009-00	B055458		CAP, FXD, CER DI: 15PF, +/- 5%, 50V	80009	283-5009-00
A19A1C26	281-0158-00	B030000	B055457	CAP, VAR, CER DI: 7-45PF, 100WDC SUBMIN CER DISC TOP ADJ	59660	518-006 G 7-45
A19A1C26	283-0267-00	B055458		CAP, FXD, CER DI: 0.01UF, 20%, 500V	59660	0841546Y5500103M
A19A1C28	283-0374-00	B030000	B055457	CAP, FXD, CER DI: 7.5PF, 0.25%, 100V	91293	101R11N7R5CB
A19A1C28	283-5007-00	B055458		CAP, FXD, CER DI: 8PF, +/- 0.5PF, 50V	80009	283-5007-00
A19A1L10	108-0606-00			COIL, RF: FIXED, 31NH	80009	108-0606-00
A19A1L12	108-0606-00			COIL, RF: FIXED, 31NH	80009	108-0606-00
A19A1L14	108-0606-00			COIL, RF: FIXED, 31NH	80009	108-0606-00
A19A1R10	321-5043-00			RES, FXD, FILM: 47.5 OHM, 1%, 0.125W	57668	MCR18FWEA47E5
A19A1R12	321-5008-00	B030000	B055916	RES, FXD, FILM: 150 OHM, 1%, 0.125W	01121	BCK1500FT
A19A1R12	321-5006-00	B055917		RES, FXD, FILM: 100 OHM, 1%, 0.125W	01121	BCK1000FT
A19A1R14	321-5042-00	B030000	B055916	RES, FXD, FILM: 39.2 OHM, 1%, 0.125W	57668	MCR18FWEA39E2
A19A1R14	321-5045-00	B055917		RES, FXD, FILM: 68.1 OHM, 1%, 0.125W	01121	BCD68R1FT
A19A1R16	321-5008-00	B030000	B055916	RES, FXD, FILM: 150 OHM, 1%, 0.125W	01121	BCK1500FT
A19A1R16	321-5006-00	B055917		RES, FXD, FILM: 100 OHM, 1%, 0.125W	01121	BCK1000FT
A19A1R18	315-0391-00			RES, FXD, FILM: 390 OHM, 5%, 0.25W	57668	NTR25J-E390E
A19A1T10	120-1567-00			XFMR, COUPLER: BALUN	TK1421	ORDER BY DESCR
A19A1T12	120-1567-00			XFMR, COUPLER: BALUN	TK1421	ORDER BY DESCR
A19A1U10	156-2247-00			MICROCKT, LINEAR: GENERAL PURPOSE AMP MODULE	24539	GPD-1003A
A19A1U12	156-2208-00			MICROCKT, LINEAR: 4 PIN HEADER AMPL	24539	GPD-252A
A19A1U14	156-2208-00			MICROCKT, LINEAR: 4 PIN HEADER AMPL	24539	GPD-252A
A20	119-1022-02	B030000	B039999	OSCILLATOR, RF: 2182, 5MHZ	80009	119-1022-02
A20A1	-----	B030000	B039999	(PART OF A20)		
A21	670-5512-02	B030000	B031031	CIRCUIT BD ASSY: SHAPER/BIAS (492 ONLY)	80009	670-5512-02
A21	670-5512-04	B031032	B039999	CIRCUIT BD ASSY: SHAPER/BIAS (492 ONLY)	80009	670-5512-04
A21	670-5512-02	B030000	B031536	CIRCUIT BD ASSY: SHAPER/BIAS (492P ONLY)	80009	670-5512-02
A21	670-5512-04	B031537	B039999	CIRCUIT BD ASSY: SHAPER/BIAS (492P ONLY)	80009	670-5512-04
A21C1015	283-0212-00	B030000	B039999	CAP, FXD, CER DI: 2UF, 20%, 50V	04222	SR405E205MAA
A21C1016	283-0000-00	B030000	B039999	CAP, FXD, CER DI: 0.001UF, +100-0%, 500V	59660	831-610-Y5U0102P
A21C1017	283-0212-00	B030000	B039999	CAP, FXD, CER DI: 2UF, 20%, 50V	04222	SR405E205MAA
A21C1028	283-0000-00	B030000	B039999	CAP, FXD, CER DI: 0.001UF, +100-0%, 500V	59660	831-610-Y5U0102P
A21C1071	283-0271-00	B030000	B039999	CAP, FXD, CER DI: 0.001UF, 20%, 4000V	51406	DHR15Y5S102M-4KV
A21C1083	281-0700-00	B030000	B039999	CAP, FXD, CER DI: 3.3PF, +/- 0.33PF, 500V	52763	2RDPLZ007 3P3OKS
A21C1085	283-0212-00	B030000	B039999	CAP, FXD, CER DI: 2UF, 20%, 50V	04222	SR405E205MAA
A21C2015	283-0212-00	B030000	B039999	CAP, FXD, CER DI: 2UF, 20%, 50V	04222	SR405E205MAA
A21C2044	283-0339-00	B030000	B039999	CAP, FXD, CER DI: 0.22UF, 10%, 50V	05397	C330C224K5R5CA
A21C2055	290-0574-00	B030000	B039999	CAP, FXD, ELCTLT: 47UF, 10%, 20V	05397	T368C476K0202AS
A21C2067	290-0305-01	B030000	B039999	CAP, FXD, ELCTLT: 3UF, 10%, 150V	26769	40LW305A150K1C
A21C2077	283-0212-00	B030000	B039999	CAP, FXD, CER DI: 2UF, 20%, 50V	04222	SR405E205MAA

Replaceable Electrical Parts
492/492P Service Vol. 2 (B030000 & Up)

Component No.	Tektronix		Serial/Assembly No.		Name & Description	Mfr. Code	Mfr. Part No.
	Part No.	Effective	Dscont				
A21C2089	283-0212-00	B030000	B039999		CAP,FXD,CER DI:2UF,20%,50V	04222	SR405E205MAA
A21C3012	283-0360-00	B030000	B039999		CAP,FXD,CER DI:3300PF,10%,200V	05397	C330C332K2G5CA
A21C3014	290-0574-00	B030000	B039999		CAP,FXD,ELCTLT:47UF,10%,20V	05397	T368C476K0202AS
A21C3016	290-0574-00	B030000	B039999		CAP,FXD,ELCTLT:47UF,10%,20V	05397	T368C476K0202AS
A21C3021	283-0087-00	B030000	B039999		CAP,FXD,CER DI:300PF,10%,1000V	59660	0838020X5F00301K
A21C3022	290-0536-00	B031032	B039999		CAP,FXD,ELCTLT:10UF,20%,25V TANTALUM (492 ONLY)	05397	T368B106M025AS
A21C3022	290-0536-00	B031539	B039999		CAP,FXD,ELCTLT:10UF,20%,25V TANTALUM (492P ONLY)	05397	T368B106M025AS
A21C3031	290-0574-00	B030000	B039999		CAP,FXD,ELCTLT:47UF,10%,20V	05397	T368C476K0202AS
A21C3037	290-0574-00	B030000	B039999		CAP,FXD,ELCTLT:47UF,10%,20V	05397	T368C476K0202AS
A21C3039	283-0339-00	B030000	B039999		CAP,FXD,CER DI:0.22UF,10%,50V	05397	C330C224K5R5CA
A21C3043	283-0212-00	B030000	B039999		CAP,FXD,CER DI:2UF,20%,50V	04222	SR405E205MAA
A21C3045	283-0212-00	B030000	B039999		CAP,FXD,CER DI:2UF,20%,50V	04222	SR405E205MAA
A21C3047	283-0087-00	B030000	B039999		CAP,FXD,CER DI:300PF,10%,1000V	59660	0838020X5F00301K
A21C3063	283-0087-00	B030000	B039999		CAP,FXD,CER DI:300PF,10%,1000V	59660	0838020X5F00301K
A21C3067	290-0574-00	B030000	B039999		CAP,FXD,ELCTLT:47UF,10%,20V	05397	T368C476K0202AS
A21C3069	283-0268-00	B030000	B039999		CAP,FXD,CER DI:0.015UF,20%,50V	04222	3439-050C-153K
A21C3071	290-0574-00	B030000	B039999		CAP,FXD,ELCTLT:47UF,10%,20V	05397	T368C476K0202AS
A21C3081	283-0212-00	B030000	B039999		CAP,FXD,CER DI:2UF,20%,50V	04222	SR405E205MAA
A21C3083	283-0111-00	B030000	B039999		CAP,FXD,CER DI:0.1UF,20%,50V	05397	C330C104M5U1CA
A21C3085	283-0111-00	B030000	B039999		CAP,FXD,CER DI:0.1UF,20%,50V	05397	C330C104M5U1CA
A21C3087	283-0212-00	B030000	B039999		CAP,FXD,CER DI:2UF,20%,50V	04222	SR405E205MAA
A21C4027	290-0574-00	B030000	B039999		CAP,FXD,ELCTLT:47UF,10%,20V	05397	T368C476K0202AS
A21C4031	290-0574-00	B030000	B039999		CAP,FXD,ELCTLT:47UF,10%,20V	05397	T368C476K0202AS
A21C4033	290-0574-00	B030000	B039999		CAP,FXD,ELCTLT:47UF,10%,20V	05397	T368C476K0202AS
A21C4045	283-0212-00	B030000	B039999		CAP,FXD,CER DI:2UF,20%,50V	04222	SR405E205MAA
A21C4051	283-0212-00	B030000	B039999		CAP,FXD,CER DI:2UF,20%,50V	04222	SR405E205MAA
A21C4061	283-0268-00	B030000	B039999		CAP,FXD,CER DI:0.015UF,20%,50V	04222	3439-050C-153K
A21C4081	283-0087-00	B030000	B039999		CAP,FXD,CER DI:300PF,10%,1000V	59660	0838020X5F00301K
A21CR1025	152-0141-02	B030000	B039999		SEMICOND DVC,DI:SW,S1,30V,150MA,30V,DO-35	03508	DA2527 (1N4152)
A21CR1073	152-0141-02	B030000	B039999		SEMICOND DVC,DI:SW,S1,30V,150MA,30V,DO-35	03508	DA2527 (1N4152)
A21CR3033	152-0141-02	B030000	B039999		SEMICOND DVC,DI:SW,S1,30V,150MA,30V,DO-35	03508	DA2527 (1N4152)
A21CR3047	152-0141-02	B030000	B039999		SEMICOND DVC,DI:SW,S1,30V,150MA,30V,DO-35	03508	DA2527 (1N4152)
A21CR3061	152-0141-02	B030000	B039999		SEMICOND DVC,DI:SW,S1,30V,150MA,30V,DO-35	03508	DA2527 (1N4152)
A21CR4013	152-0141-02	B030000	B039999		SEMICOND DVC,DI:SW,S1,30V,150MA,30V,DO-35	03508	DA2527 (1N4152)
A21CR4015	152-0141-02	B030000	B039999		SEMICOND DVC,DI:SW,S1,30V,150MA,30V,DO-35	03508	DA2527 (1N4152)
A21CR4021	152-0141-02	B030000	B039999		SEMICOND DVC,DI:SW,S1,30V,150MA,30V,DO-35	03508	DA2527 (1N4152)
A21Q1030	151-0150-00	B030000	B039999		TRANSISTOR:SELECTED	80009	151-0150-00
A21Q1076	151-0150-00	B030000	B039999		TRANSISTOR:SELECTED	80009	151-0150-00
A21Q2024	151-0150-00	B030000	B039999		TRANSISTOR:SELECTED	80009	151-0150-00
A21Q2065	151-0302-00	B030000	B039999		TRANSISTOR:NPN,SI,TO-18	04713	ST899
A21Q3035	151-0302-00	B030000	B039999		TRANSISTOR:NPN,SI,TO-18	04713	ST899
A21Q4024	151-0301-00	B030000	B039999		TRANSISTOR:PNP,SI,TO-18	04713	ST898
A21Q4026	151-0302-00	B030000	B039999		TRANSISTOR:NPN,SI,TO-18	04713	ST899
A21Q4047	151-0301-00	B030000	B039999		TRANSISTOR:PNP,SI,TO-18	04713	ST898
A21R1014	315-0101-00	B030000	B039999		RES,FXD,FILM:100 OHM,5%,0.25W	57668	NTR25J-E 100E
A21R1017	315-0222-00	B030000	B039999		RES,FXD,FILM:2.2K OHM,5%,0.25W	57668	NTR25J-E02K2
A21R1022	321-0001-00	B030000	B039999		RES,FXD,FILM:10 OHM,1%,0.125W,TC=TO	19701	5033RD10R00FMS
A21R1026	321-0366-00	B030000	B039999		RES,FXD,FILM:63.4K OHM,1%,0.125W,TC=TO	19701	5043ED63K40F
A21R1028	321-0253-00	B030000	B039999		RES,FXD,FILM:4.22K OHM,1%,0.125W,TC=TO	19701	5033ED 4K 220F
A21R1029	315-0122-00	B030000	B039999		RES,FXD,FILM:1.2K OHM,5%,0.25W	57668	NTR25J-E01K2
A21R1036	315-0102-00	B030000	B039999		RES,FXD,FILM:1K OHM,5%,0.25W	57668	NTR25JE01K0
A21R1044	321-0289-00	B030000	B039999		RES,FXD,FILM:10.0K OHM,1%,0.125W,TC=TO	19701	5033ED10K0F
A21R1046	321-0341-00	B030000	B039999		RES,FXD,FILM:34.8K OHM,1%,0.125W,TC=TO	19701	5043ED34K80F
A21R1050	321-0327-00	B030000	B039999		RES,FXD,FILM:24.9K OHM,1%,0.125W,TC=TO	07716	CEAD24901F
A21R1051	321-0323-00	B030000	B039999		RES,FXD,FILM:22.6K OHM,1%,0.125W,TC=TO	07716	CEAD22601F
A21R1052	321-0297-00	B030000	B039999		RES,FXD,FILM:12.1K OHM,1%,0.125W,TC=TO	07716	CEAD12101F

Replaceable Electrical Parts
492/492P Service Vol. 2 (B030000 & Up)

Component No.	Tektronix Part No.	Serial/Assembly No. Effective	Discont	Name & Description	Mfr. Code	Mfr. Part No.
A21R1053	321-0300-00	B030000	B039999	RES, FXD, FILM:13.0K OHM, 1%, 0.125W, TC=TO	07716	CEAD13001F
A21R1056	321-0341-00	B030000	B039999	RES, FXD, FILM:34.8K OHM, 1%, 0.125W, TC=TO	19701	5043ED34K80F
A21R1057	321-0341-00	B030000	B039999	RES, FXD, FILM:34.8K OHM, 1%, 0.125W, TC=TO	19701	5043ED34K80F
A21R1058	321-0335-00	B030000	B039999	RES, FXD, FILM:30.1K OHM, 1%, 0.125W, TC=TO	57668	RB14FXE30K1
A21R1059	321-0331-00	B030000	B039999	RES, FXD, FILM:27.4K OHM, 1%, 0.125W, TC=TO	19701	5043ED27K40F
A21R1060	321-0286-00	B030000	B039999	RES, FXD, FILM:9.31K OHM, 1%, 0.125W, TC=TO	19701	5043ED9K310F
A21R1062	321-0275-00	B030000	B039999	RES, FXD, FILM:7.15K OHM, 1%, 0.125W, TC=TO	07716	CEAD71500F
A21R1064	321-0341-00	B030000	B039999	RES, FXD, FILM:34.8K OHM, 1%, 0.125W, TC=TO	19701	5043ED34K80F
A21R1066	321-0341-00	B030000	B039999	RES, FXD, FILM:34.8K OHM, 1%, 0.125W, TC=TO	19701	5043ED34K80F
A21R1067	321-0270-00	B030000	B039999	RES, FXD, FILM:6.34K OHM, 1%, 0.125W, TC=TO	19701	5043ED6K340F
A21R1068	321-0279-00	B030000	B039999	RES, FXD, FILM:7.87K OHM, 1%, 0.125W, TC=TO	07716	CEAD78700F
A21R1086	321-0346-00	B030000	B039999	RES, FXD, FILM:39.2K OHM, 1%, 0.125W, TC=TO	19701	5043ED39K20F
A21R2010	321-0314-00	B030000	B039999	RES, FXD, FILM:18.2K OHM, 1%, 0.125W, TC=TO	19701	5043ED18K20F
A21R2012	315-0101-00	B030000	B039999	RES, FXD, FILM:100 OHM, 5%, 0.25W	57668	NTR25J-E 100E
A21R2014	321-0245-00	B030000	B039999	RES, FXD, FILM:3.48K OHM, 1%, 0.125W, TC=TO	19701	5033ED3K48F
A21R2016	315-0103-00	B030000	B039999	RES, FXD, FILM:10K OHM, 5%, 0.25W	19701	5043CX10K00J
A21R2018	321-0345-00	B030000	B039999	RES, FXD, FILM:38.3K OHM, 1%, 0.125W, TC=TO	19701	5043ED38K30F
A21R2026	315-0103-00	B030000	B039999	RES, FXD, FILM:10K OHM, 5%, 0.25W	19701	5043CX10K00J
A21R2030	315-0101-00	B030000	B039999	RES, FXD, FILM:100 OHM, 5%, 0.25W	57668	NTR25J-E 100E
A21R2032	321-0351-00	B030000	B039999	RES, FXD, FILM:44.2K OHM, 1%, 0.125W, TC=TO	07716	CEAD44201F
A21R2034	315-0223-00	B030000	B039999	RES, FXD, FILM:22K OHM, 5%, 0.25W	19701	5043CX22K00J92U
A21R2036	321-0310-00	B030000	B039999	RES, FXD, FILM:16.5K OHM, 1%, 0.125W, TC=TO	19701	5033ED16K50F
A21R2038	321-0193-00	B030000	B039999	RES, FXD, FILM:1K OHM, 1%, 0.125W, TC=TO	19701	5033ED1K00F
A21R2039	315-0101-00	B030000	B039999	RES, FXD, FILM:100 OHM, 5%, 0.25W	57668	NTR25J-E 100E
A21R2040	321-0269-00	B030000	B039999	RES, FXD, FILM:6.19K OHM, 1%, 0.125W, TC=TO	07716	CEAD61900F
A21R2042	321-0314-00	B030000	B039999	RES, FXD, FILM:18.2K OHM, 1%, 0.125W, TC=TO	19701	5043ED18K20F
A21R2044	321-0264-00	B030000	B039999	RES, FXD, FILM:5.49K OHM, 1%, 0.125W, TC=TO (492 ONLY)	07716	CEAD54900C
A21R2044	321-0274-00	B030000	B031239	RES, FXD, FILM:6.98K OHM, 1%, 0.125W, TC=TO (492P ONLY)	19701	5043ED6K980F
A21R2044	321-0264-00	B031240	B039999	RES, FXD, FILM:5.49K OHM, 1%, 0.125W, TC=TO (492P ONLY)	07716	CEAD54900C
A21R2046	321-0260-00	B030000	B039999	RES, FXD, FILM:4.99K OHM, 1%, 0.125W, TC=TO	19701	5033ED4K990F
A21R2047	321-0341-00	B030000	B039999	RES, FXD, FILM:34.8K OHM, 1%, 0.125W, TC=TO	19701	5043ED34K80F
A21R2048	321-0341-00	B030000	B039999	RES, FXD, FILM:34.8K OHM, 1%, 0.125W, TC=TO	19701	5043ED34K80F
A21R2050	321-0290-00	B030000	B039999	RES, FXD, FILM:10.2K OHM, 1%, 0.125W, TC=TO	19701	5043ED10K20F
A21R2052	321-0307-00	B030000	B039999	RES, FXD, FILM:15.4K OHM, 1%, 0.125W, TC=TO	19701	5043ED15K40F
A21R2054	315-0152-00	B030000	B039999	RES, FXD, FILM:1.5K OHM, 5%, 0.25W	57668	NTR25J-E01K5
A21R2056	315-0152-00	B030000	B039999	RES, FXD, FILM:1.5K OHM, 5%, 0.25W	57668	NTR25J-E01K5
A21R2057	321-0329-00	B030000	B039999	RES, FXD, FILM:26.1K OHM, 1%, 0.125W, TC=TO	19701	5043ED26K10F
A21R2058	315-0392-00	B030000	B031031	RES, FXD, FILM:3.9K OHM, 5%, 0.25W (492 ONLY)	57668	NTR25J-E03K9
A21R2058	321-0199-00	B031032	B039999	RES, FXD, FILM:1.15K OHM, 1%, 0.125W, TC=TO (492 ONLY)	07716	CEAD11500F
A21R2058	315-0392-00	B030000	B031536	RES, FXD, FILM:3.9K OHM, 5%, 0.25W (492P ONLY)	57668	NTR25J-E03K9
A21R2058	321-0199-00	B031537	B039999	RES, FXD, FILM:1.15K OHM, 1%, 0.125W, TC=TO (492P ONLY)	07716	CEAD11500F
A21R2059	321-0341-00	B030000	B039999	RES, FXD, FILM:34.8K OHM, 1%, 0.125W, TC=TO	19701	5043ED34K80F
A21R2062	321-0341-00	B030000	B039999	RES, FXD, FILM:34.8K OHM, 1%, 0.125W, TC=TO	19701	5043ED34K80F
A21R2064	321-0283-00	B030000	B039999	RES, FXD, FILM:8.66K OHM, 1%, 0.125W, TC=TO	19701	5043ED8K660F
A21R2066	321-0293-00	B030000	B039999	RES, FXD, FILM:11.0K OHM, 1%, 0.125W, TC=TO	07716	CEAD11001F
A21R2070	321-0285-00	B030000	B039999	RES, FXD, FILM:9.09K OHM, 1%, 0.125W, TC=TO	07716	CEAD90900F
A21R2072	315-0102-00	B030000	B039999	RES, FXD, FILM:1K OHM, 5%, 0.25W	57668	NTR25JE01K0
A21R2074	321-0247-00	B030000	B039999	RES, FXD, FILM:3.65K OHM, 1%, 0.125W, TC=TO	19701	5043ED3K650F
A21R2076	315-0512-00	B030000	B039999	RES, FXD, FILM:5.1K OHM, 5%, 0.25W	57668	NTR25J-E05K1
A21R2078	315-0101-00	B030000	B039999	RES, FXD, FILM:100 OHM, 5%, 0.25W	57668	NTR25J-E 100E
A21R2084	315-0101-00	B030000	B039999	RES, FXD, FILM:100 OHM, 5%, 0.25W	57668	NTR25J-E 100E
A21R2086	315-0512-00	B030000	B039999	RES, FXD, FILM:5.1K OHM, 5%, 0.25W	57668	NTR25J-E05K1

Replaceable Electrical Parts
492/492P Service Vol. 2 (B030000 & Up)

Component No.	Tektronix Part No.	Serial/Assembly No. Effective	Discont	Name & Description	Mfr. Code	Mfr. Part No.
A21R2087	321-0246-00	B030000	B039999	RES, FXD, FILM: 3.57K OHM, 1%, 0.125W, TC=TO (492 ONLY)	19701	5043ED3K570F
A21R2087	321-0251-00	B030000	B031239	RES, FXD, FILM: 4.02K OHM, 1%, 0.125W, TC=TO (492P ONLY)	19701	5033ED4K020F
A21R2087	321-0246-00	B031240	B039999	RES, FXD, FILM: 3.57K OHM, 1%, 0.125W, TC=TO (492P ONLY)	19701	5043ED3K570F
A21R2088	315-0101-00	B030000	B039999	RES, FXD, FILM: 100 OHM, 5%, 0.25W	57668	NTR25J-E 100E
A21R3020	315-0103-00	B030000	B039999	RES, FXD, FILM: 10K OHM, 5%, 0.25W	19701	5043CX10K00J
A21R3032	321-0226-00	B030000	B039999	RES, FXD, FILM: 2.21K OHM, 1%, 0.125W, TC=TO	01121	RNK2211F
A21R3036	321-0204-00	B030000	B039999	RES, FXD, FILM: 1.30K OHM, 1%, 0.125W, TC=TO	19701	5033ED1K300F
A21R3037	321-0260-00	B030000	B039999	RES, FXD, FILM: 4.99K OHM, 1%, 0.125W, TC=TO (492 ONLY)	19701	5033ED4K990F
A21R3037	321-0266-00	B030000	B031239	RES, FXD, FILM: 5.76K OHM, 1%, 0.125W, TC=TO (492P ONLY)	19701	5033ED5K760F
A21R3037	321-0260-00	B031240	B039999	RES, FXD, FILM: 4.99K OHM, 1%, 0.125W, TC=TO (492P ONLY)	19701	5033ED4K990F
A21R3038	321-0297-00	B030000	B039999	RES, FXD, FILM: 12.1K OHM, 1%, 0.125W, TC=TO	07716	CEAD12101F
A21R3042	315-0101-00	B030000	B039999	RES, FXD, FILM: 100 OHM, 5%, 0.25W	57668	NTR25J-E 100E
A21R3048	315-0272-00	B030000	B039999	RES, FXD, FILM: 2.7K OHM, 5%, 0.25W	57668	NTR25J-E02K7
A21R3054	315-0101-00	B030000	B039999	RES, FXD, FILM: 100 OHM, 5%, 0.25W	57668	NTR25J-E 100E
A21R3056	315-0270-00	B030000	B039999	RES, FXD, FILM: 27 OHM, 5%, 0.25W	19701	5043CX27R00J
A21R3064	315-0272-00	B030000	B039999	RES, FXD, FILM: 2.7K OHM, 5%, 0.25W	57668	NTR25J-E02K7
A21R3066	315-0272-00	B030000	B039999	RES, FXD, FILM: 2.7K OHM, 5%, 0.25W	57668	NTR25J-E02K7
A21R3070	315-0101-00	B030000	B039999	RES, FXD, FILM: 100 OHM, 5%, 0.25W	57668	NTR25J-E 100E
A21R3072	321-0280-00	B030000	B039999	RES, FXD, FILM: 8.06K OHM, 1%, 0.125W, TC=TO	19701	5033ED8K060F
A21R3074	321-0280-00	B030000	B039999	RES, FXD, FILM: 8.06K OHM, 1%, 0.125W, TC=TO	19701	5033ED8K060F
A21R3075	321-0289-00	B030000	B039999	RES, FXD, FILM: 10.0K OHM, 1%, 0.125W, TC=TO	19701	5033ED10K0F
A21R3076	321-0280-00	B030000	B039999	RES, FXD, FILM: 8.06K OHM, 1%, 0.125W, TC=TO	19701	5033ED8K060F
A21R3077	321-0280-00	B030000	B039999	RES, FXD, FILM: 8.06K OHM, 1%, 0.125W, TC=TO	19701	5033ED8K060F
A21R3078	321-0289-00	B030000	B039999	RES, FXD, FILM: 10.0K OHM, 1%, 0.125W, TC=TO	19701	5033ED10K0F
A21R4012	321-0234-00	B030000	B039999	RES, FXD, FILM: 2.67K OHM, 1%, 0.125W, TC=TO	19701	5033ED2K67F
A21R4016	321-0189-00	B030000	B039999	RES, FXD, FILM: 909 OHM, 1%, 0.125W, TC=T2	19701	5033ED909R0F
A21R4018	315-0680-00	B030000	B039999	RES, FXD, FILM: 68 OHM, 5%, 0.25W	57668	NTR25J-E68E0
A21R4019	315-0102-00	B030000	B039999	RES, FXD, FILM: 1K OHM, 5%, 0.25W	57668	NTR25JE01K0
A21R4020	315-0102-00	B030000	B039999	RES, FXD, FILM: 1K OHM, 5%, 0.25W	57668	NTR25JE01K0
A21R4036	315-0432-00	B030000	B039999	RES, FXD, FILM: 4.3K OHM, 5%, 0.25W	57668	NTR25J-E04K3
A21R4038	315-0101-00	B030000	B039999	RES, FXD, FILM: 100 OHM, 5%, 0.25W	57668	NTR25J-E 100E
A21R4042	315-0101-00	B030000	B039999	RES, FXD, FILM: 100 OHM, 5%, 0.25W	57668	NTR25J-E 100E
A21R4044	315-0272-00	B030000	B039999	RES, FXD, FILM: 2.7K OHM, 5%, 0.25W	57668	NTR25J-E02K7
A21R4046	315-0270-00	B030000	B039999	RES, FXD, FILM: 27 OHM, 5%, 0.25W	19701	5043CX27R00J
A21R4072	321-0299-00	B030000	B039999	RES, FXD, FILM: 12.7K OHM, 1%, 0.125W, TC=TO	19701	5033ED12K70F
A21R4074	321-0299-00	B030000	B039999	RES, FXD, FILM: 12.7K OHM, 1%, 0.125W, TC=TO	19701	5033ED12K70F
A21R4076	321-0299-00	B030000	B039999	RES, FXD, FILM: 12.7K OHM, 1%, 0.125W, TC=TO	19701	5033ED12K70F
A21R4078	321-0299-00	B030000	B039999	RES, FXD, FILM: 12.7K OHM, 1%, 0.125W, TC=TO	19701	5033ED12K70F
A21U1010	156-0512-03	B030000	B039999	MICROCKT, LINEAR: OPNL AMPL	04713	LM308J-8
A21U1037	156-0106-00	B030000	B039999	MICROCKT, LINEAR: 6-DIODE ARRAY	02735	CA3039
A21U1087	156-0512-03	B030000	B039999	MICROCKT, LINEAR: OPNL AMPL	04713	LM308J-8
A21U2037	156-0106-00	B030000	B039999	MICROCKT, LINEAR: 6-DIODE ARRAY	02735	CA3039
A21U2047	156-0783-00	B030000	B031239	MICROCKT, LINEAR: PRECISION VOLTAGE REFERENCE (492 ONLY)	27014	LM399
A21U2047	156-0783-00	B030000	B039999	MICROCKT, LINEAR: PRECISION VOLTAGE REFERENCE (492P ONLY)	27014	LM399
A21U3025	156-0512-03	B030000	B039999	MICROCKT, LINEAR: OPNL AMPL	04713	LM308J-8
A21U3051	156-0512-03	B030000	B039999	MICROCKT, LINEAR: OPNL AMPL	04713	LM308J-8
A21U3089	156-0512-03	B030000	B039999	MICROCKT, LINEAR: OPNL AMPL	04713	LM308J-8
A21U4037	156-0512-03	B030000	B039999	MICROCKT, LINEAR: OPNL AMPL	04713	LM308J-8
A21VR1075	152-0580-00	B030000	B039999	SEMICON DVC, DI: ZEN, SI, 75V, 2%, 0.4W, DO-7	04713	SZ14358RL
A21VR2047	152-0727-00	B030000	B039999	SEMICON DVC, DI: ZEN, SI, 6.3V 2%, 0.4W, DO-7 (492 ONLY)	04713	SZG20246

Replaceable Electrical Parts
492/492P Service Vol. 2 (B030000 & Up)

Component No.	Tektronix Part No.	Serial/Assembly No. Effective	Dscont	Name & Description	Mfr. Code	Mfr. Part No.
A21VR2047	152-0727-00	B031240	B039999	SEMICON DVC,DI:ZEN,SI,6.3V 2%,0.4W,DO-7 (492P ONLY)	04713	SZ620246
A22	650-0296-00	B040000	B041999	2ND LO ASSY:PHASE LOCK	80009	650-0296-00
A22	650-0296-01	B042000	B053998	2ND LO ASSY:PHASE LOCK	80009	650-0296-01
A22	650-0296-02	B053999	B056124	2ND LO ASSEMBLY:	80009	650-0296-02
A22	650-0296-03	B056125		PHASE LOCK ASSY:	80009	650-0296-03
A22C220	281-0720-00	B040000		CAP,FXD,CER DI:1750PF,+80-20%,250V	33095	51-707-002
A22C221	281-0720-00	B040000		CAP,FXD,CER DI:1750PF,+80-20%,250V	33095	51-707-002
A22C222	281-0720-00	B040000		CAP,FXD,CER DI:1750PF,+80-20%,250V	33095	51-707-002
A22C223	281-0720-00	B040000		CAP,FXD,CER DI:1750PF,+80-20%,250V	33095	51-707-002
A22C224	281-0720-00	B040000		CAP,FXD,CER DI:1750PF,+80-20%,250V	33095	51-707-002
A22C225	281-0720-00	B040000		CAP,FXD,CER DI:1750PF,+80-20%,250V	33095	51-707-002
A22C226	281-0720-00	B040000		CAP,FXD,CER DI:1750PF,+80-20%,250V	33095	51-707-002
A22C227	281-0720-00	B040000		CAP,FXD,CER DI:1750PF,+80-20%,250V	33095	51-707-002
A22L1060	108-0182-00	B056125		COIL,RF:FIXED,293NH	80009	108-0182-00
A22R224	321-0189-00	B040000		RES,FXD,FILM:909 OHM,1%,0.125W,TC=T2	19701	5033ED909R0F
A22A1	670-7078-00	B040000	B042184	CIRCUIT BD ASSY:14-22MHZ PHASELOCK	80009	670-7078-00
A22A1	670-7078-01	B042185		CIRCUIT BD ASSY:14-22MHZ PHASELOCK	80009	670-7078-01
A22A1C1011	290-0517-00	B040000		CAP,FXD,ELCTLT:6.8UF,20%,35V	05397	T368B685M035AZ
A22A1C1016	283-0201-00	B040000		CAP,FXD,CER DI:27PF,10%,200V	05397	C312C270K2G5CA
A22A1C1017	290-0517-00	B040000		CAP,FXD,ELCTLT:6.8UF,20%,35V	05397	T368B685M035AZ
A22A1C1023	283-0051-00	B040000		CAP,FXD,CER DI:0.0033UF,5%,100V	04222	SR301A332JAA
A22A1C1024	290-0517-00	B040000		CAP,FXD,ELCTLT:6.8UF,20%,35V	05397	T368B685M035AZ
A22A1C1025	283-0108-00	B040000		CAP,FXD,CER DI:220PF,10%,200V	31433	C320C221K2G5CA
A22A1C1026	283-0051-00	B040000		CAP,FXD,CER DI:0.0033UF,5%,100V	04222	SR301A332JAA
A22A1C1028	283-0108-00	B040000		CAP,FXD,CER DI:220PF,10%,200V	31433	C320C221K2G5CA
A22A1C1029	290-0517-00	B040000		CAP,FXD,ELCTLT:6.8UF,20%,35V	05397	T368B685M035AZ
A22A1C1031	290-0517-00	B040000		CAP,FXD,ELCTLT:6.8UF,20%,35V	05397	T368B685M035AZ
A22A1C1034	283-0339-00	B040000		CAP,FXD,CER DI:0.22UF,10%,50V	05397	C330C224K5R5CA
A22A1C1039	283-0339-00	B040000		CAP,FXD,CER DI:0.22UF,10%,50V	05397	C330C224K5R5CA
A22A1C1040	283-0108-00	B040000		CAP,FXD,CER DI:220PF,10%,200V	31433	C320C221K2G5CA
A22A1C1041	283-0339-00	B040000		CAP,FXD,CER DI:0.22UF,10%,50V	05397	C330C224K5R5CA
A22A1C1063	290-0536-00	B040000		CAP,FXD,ELCTLT:10UF,20%,25V TANTALUM	05397	T368B106M025AS
A22A1C1065	290-0536-00	B040000		CAP,FXD,ELCTLT:10UF,20%,25V TANTALUM	05397	T368B106M025AS
A22A1C1070	290-0719-00	B040000		CAP,FXD,ELCTLT:47UF,20%,25V	56289	196D476X0025TE3
A22A1C1073	283-0339-00	B040000		CAP,FXD,CER DI:0.22UF,10%,50V	05397	C330C224K5R5CA
A22A1C1074	283-0339-00	B040000		CAP,FXD,CER DI:0.22UF,10%,50V	05397	C330C224K5R5CA
A22A1C2011	290-0517-00	B040000		CAP,FXD,ELCTLT:6.8UF,20%,35V	05397	T368B685M035AZ
A22A1C2012	283-0339-00	B040000		CAP,FXD,CER DI:0.22UF,10%,50V	05397	C330C224K5R5CA
A22A1C2014	290-0512-00	B040000		CAP,FXD,ELCTLT:22UF,20%,15V	05397	T368B226M015AS
A22A1C2016	283-0326-00	B040000		CAP,FXD,CER DI:0.082UF,10%,50V	51406	RPE111X7R823K50V
A22A1C2017	290-0517-00	B040000		CAP,FXD,ELCTLT:6.8UF,20%,35V	05397	T368B685M035AZ
A22A1C2026	283-0339-00	B040000	B042184	CAP,FXD,CER DI:0.22UF,10%,50V	05397	C330C224K5R5CA
A22A1C2026	283-0239-00	B042185		CAP,FXD,CER DI:0.22UF,10%,50V	04222	3439-050C-223K
A22A1C2028	283-0204-00	B040000		CAP,FXD,CER DI:0.01UF,20%,50V	04222	SR155E103MAA
A22A1C2035	283-0330-00	B040000		CAP,FXD,CER DI:100PF,5%,50V	05397	C320C101J5R5CA
A22A1C2036	283-0339-00	B040000	B042184	CAP,FXD,CER DI:0.22UF,10%,50V	05397	C330C224K5R5CA
A22A1C2036	283-0239-00	B042185		CAP,FXD,CER DI:0.022UF,10%,50V	04222	3439-050C-223K
A22A1C2037	283-0330-00	B040000		CAP,FXD,CER DI:100PF,5%,50V	05397	C320C101J5R5CA
A22A1C2040	283-0339-00	B040000		CAP,FXD,CER DI:0.22UF,10%,50V	05397	C330C224K5R5CA
A22A1C2062	290-0536-00	B040000		CAP,FXD,ELCTLT:10UF,20%,25V TANTALUM	05397	T368B106M025AS
A22A1C2065	290-0536-00	B040000		CAP,FXD,ELCTLT:10UF,20%,25V TANTALUM	05397	T368B106M025AS
A22A1C2067	283-0154-00	B040000		CAP,FXD,CER DI:22PF,5%,50V	04222	SR155A22QJAA
A22A1C2070	283-0107-00	B040000		CAP,FXD,CER DI:51PF,5%,200V	04222	SR206A51QJAA
A22A1C2072	283-0339-00	B040000		CAP,FXD,CER DI:0.22UF,10%,50V	05397	C330C224K5R5CA
A22A1C2075	283-0339-00	B040000		CAP,FXD,CER DI:0.22UF,10%,50V	05397	C330C224K5R5CA
A22A1C2076	283-0175-00	B040000		CAP,FXD,CER DI:10PF,5%,200V	05397	C312C100D2G5CA 8
A22A1C2077	283-0197-00	B040000		CAP,FXD,CER DI:470PF,5%,50V	04222	SR205A471JAA

Replaceable Electrical Parts
492/492P Service Vol. 2 (B030000 & Up)

Component No.	Tektronix Part No.	Serial/Assembly No. Effective Dscnt	Name & Description	Mfr. Code	Mfr. Part No.
A22A1CR1018	152-0141-02	B040000	SEMICON DVC,DI:SW,SI,30V,150MA,30V,DO-35	03508	DA2527 (1N4152)
A22A1CR1070	152-0141-02	B040000	SEMICON DVC,DI:SW,SI,30V,150MA,30V,DO-35	03508	DA2527 (1N4152)
A22A1CR1075	152-0578-00	B040000	SEMICON DVC,DI:VVC,SI,22-155PF,DO-7	50101	V34-4202
A22A1CR2012	152-0141-02	B040000	SEMICON DVC,DI:SW,SI,30V,150MA,30V,DO-35	03508	DA2527 (1N4152)
A22A1CR2014	152-0141-02	B040000	SEMICON DVC,DI:SW,SI,30V,150MA,30V,DO-35	03508	DA2527 (1N4152)
A22A1CR2015	152-0141-02	B040000	SEMICON DVC,DI:SW,SI,30V,150MA,30V,DO-35	03508	DA2527 (1N4152)
A22A1CR2018	152-0141-02	B040000	SEMICON DVC,DI:SW,SI,30V,150MA,30V,DO-35	03508	DA2527 (1N4152)
A22A1CR2055	152-0141-02	B040000	SEMICON DVC,DI:SW,SI,30V,150MA,30V,DO-35	03508	DA2527 (1N4152)
A22A1L1013	120-0407-00	B040000	XFMR, TOROID:	80009	120-0407-00
A22A1L1078	108-0440-00	B040000	COIL, RF: FIXED, 8UH	80009	108-0440-00
A22A1L2011	108-0440-00	B040000	COIL, RF: FIXED, 8UH	80009	108-0440-00
A22A1L2027	108-0440-00	B040000	COIL, RF: FIXED, 8UH	80009	108-0440-00
A22A1L2027	120-0407-00	B042185	XFMR, TOROID:	80009	120-0407-00
A22A1L2035	108-0440-00	B040000	COIL, RF: FIXED, 8UH	80009	108-0440-00
A22A1L2035	120-0407-00	B042185	XFMR, TOROID:	80009	120-0407-00
A22A1Q1012	151-0103-00	B040000	TRANSISTOR: NPN, SI, TO-5	80009	151-0103-00
A22A1Q1022	151-0103-00	B040000	TRANSISTOR: NPN, SI, TO-5	80009	151-0103-00
A22A1Q1036	151-0441-00	B040000	TRANSISTOR: NPN, SI, TO-72	04713	SRF501
A22A1Q1037	151-0441-00	B040000	TRANSISTOR: NPN, SI, TO-72	04713	SRF501
A22A1Q1038	151-0441-00	B040000	TRANSISTOR: NPN, SI, TO-72	04713	SRF501
A22A1Q2021	151-0301-00	B040000	TRANSISTOR: PNP, SI, TO-18	04713	ST898
A22A1Q2073	151-0441-00	B040000	TRANSISTOR: NPN, SI, TO-72	04713	SRF501
A22A1Q2078	151-0441-00	B040000	TRANSISTOR: NPN, SI, TO-72	04713	SRF501
A22A1R1010	317-0750-00	B040000	RES, FXD, CMPSN: 75 OHM, 5%, 0.125W	01121	BB7505
A22A1R1010	315-0750-00	B042185	RES, FXD, FILM: 75 OHM, 5%, 0.25W	57668	NTR25J-E75E0
A22A1R1011	315-0471-00	B040000	RES, FXD, FILM: 470 OHM, 5%, 0.25W	57668	NTR25J-E470E
A22A1R1012	315-0101-00	B040000	RES, FXD, FILM: 100 OHM, 5%, 0.25W	57668	NTR25J-E 100E
A22A1R1013	315-0100-00	B040000	RES, FXD, FILM: 10 OHM, 5%, 0.25W	19701	5043CX10R00J
A22A1R1014	321-0297-00	B040000	RES, FXD, FILM: 12.1K OHM, 1%, 0.125W, TC=TO	07716	CEAD12101F
A22A1R1015	321-0262-00	B040000	RES, FXD, FILM: 5.23K OHM, 1%, 0.125W, TC=TO	19701	5033ED5K230F
A22A1R1016	315-0101-00	B040000	RES, FXD, FILM: 100 OHM, 5%, 0.25W	57668	NTR25J-E 100E
A22A1R1017	315-0470-00	B040000	RES, FXD, FILM: 47 OHM, 5%, 0.25W	57668	NTR25J-E47E0
A22A1R1021	315-0390-00	B040000	RES, FXD, FILM: 39 OHM, 5%, 0.25W	57668	NTR25J-E39E0
A22A1R1022	315-0200-00	B040000	RES, FXD, FILM: 20 OHM, 5%, 0.25W	19701	5043CX20R00J
A22A1R1023	315-0101-00	B040000	RES, FXD, FILM: 100 OHM, 5%, 0.25W	57668	NTR25J-E 100E
A22A1R1024	315-0302-00	B040000	RES, FXD, FILM: 3K OHM, 5%, 0.25W	57668	NTR25J-E03K0
A22A1R1025	315-0302-00	B040000	RES, FXD, FILM: 3K OHM, 5%, 0.25W	57668	NTR25J-E03K0
A22A1R1026	315-0102-00	B040000	RES, FXD, FILM: 1K OHM, 5%, 0.25W	57668	NTR25JE01K0
A22A1R1027	315-0101-00	B040000	RES, FXD, FILM: 100 OHM, 5%, 0.25W	57668	NTR25J-E 100E
A22A1R1028	315-0102-00	B040000	RES, FXD, FILM: 1K OHM, 5%, 0.25W	57668	NTR25JE01K0
A22A1R1030	321-0821-00	B040000	RES, FXD, FILM: 2.12K OHM, 1%, 0.125W, TC=TO	19701	5033RD2K120F
A22A1R1031	321-0217-00	B040000	RES, FXD, FILM: 1.78K OHM, 1%, 0.125W, TC=TO	19701	5043D1K780F
A22A1R1032	315-0101-00	B040000	RES, FXD, FILM: 100 OHM, 5%, 0.25W	57668	NTR25J-E 100E
A22A1R1034	317-0200-00	B040000	RES, FXD, CMPSN: 20 OHM, 5%, 0.125W	01121	BB2005
A22A1R1035	317-0161-00	B040000	RES, FXD, CMPSN: 160 OHM, 5%, 0.125W	01121	BB1615
A22A1R1036	317-0161-00	B040000	RES, FXD, CMPSN: 160 OHM, 5%, 0.125W	01121	BB1615
A22A1R1037	317-0511-00	B040000	RES, FXD, CMPSN: 510 OHM, 5%, 0.125W	01121	BB5115
A22A1R1038	317-0391-00	B040000	RES, FXD, CMPSN: 390 OHM, 5%, 0.125W	01121	BB3915
A22A1R1039	317-0111-00	B040000	RES, FXD, CMPSN: 110 OHM, 5%, 0.125W	01121	BB1115
A22A1R1040	317-0820-00	B040000	RES, FXD, CMPSN: 82 OHM, 5%, 0.125W	01121	BB8205
A22A1R1041	317-0680-00	B040000	RES, FXD, CMPSN: 68 OHM, 5%, 0.125W	01121	BB6805
A22A1R1042	321-0286-00	B040000	RES, FXD, FILM: 9.31K OHM, 1%, 0.125W, TC=TO	19701	5043ED9K310F
A22A1R1043	321-0295-00	B040000	RES, FXD, FILM: 11.5K OHM, 1%, 0.125W, TC=TO	07716	CEAD11501F
A22A1R1044	321-0307-00	B040000	RES, FXD, FILM: 15.4K OHM, 1%, 0.125W, TC=TO	19701	5043ED15K40F
A22A1R1045	321-0320-00	B040000	RES, FXD, FILM: 21.0K OHM, 1%, 0.125W, TC=TO	19701	5033ED21K00F
A22A1R1046	321-0337-00	B040000	RES, FXD, FILM: 31.6K OHM, 1%, 0.125W, TC=TO	07716	CEAD31601F
A22A1R1047	321-0364-00	B040000	RES, FXD, FILM: 60.4K OHM, 1%, 0.125W, TC=TO	19701	5043ED60K40F
A22A1R1048	321-0420-00	B040000	RES, FXD, FILM: 232K OHM, 1%, 0.125W, TC=TO	07716	CEAD23202F

Replaceable Electrical Parts
492/492P Service Vol. 2 (B030000 & Up)

Component No.	Tektronix Part No.	Serial/Assembly No. Effective Dscont	Name & Description	Mfr. Code	Mfr. Part No.
A22A1R1050	321-0299-00	B040000	RES, FXD, FILM: 12.7K OHM, 1%, 0.125W, TC=T0	19701	5033ED12K70F
A22A1R1051	321-0289-00	B040000	RES, FXD, FILM: 10.0K OHM, 1%, 0.125W, TC=T0	19701	5033ED10K0F
A22A1R1052	321-0280-00	B040000	RES, FXD, FILM: 8.06K OHM, 1%, 0.125W, TC=T0	19701	5033ED8K060F
A22A1R1053	321-0275-00	B040000	RES, FXD, FILM: 7.15K OHM, 1%, 0.125W, TC=T0	07716	CEAD71500F
A22A1R1054	321-0271-00	B040000	RES, FXD, FILM: 6.49K OHM, 1%, 0.125W, TC=T0	07716	CEAD64900F
A22A1R1055	321-0268-00	B040000	RES, FXD, FILM: 6.04K OHM, 1%, 0.125W, TC=T0	19701	5043ED6K040F
A22A1R1060	315-0470-00	B040000	RES, FXD, FILM: 47 OHM, 5%, 0.25W	57668	NTR25J-E47E0
A22A1R1061	321-0193-00	B040000	RES, FXD, FILM: 1K OHM, 1%, 0.125W, TC=T0	19701	5033ED1K00F
A22A1R1063	321-0289-00	B040000	RES, FXD, FILM: 10.0K OHM, 1%, 0.125W, TC=T0	19701	5033ED10K0F
A22A1R1064	315-0470-00	B040000	RES, FXD, FILM: 47 OHM, 5%, 0.25W	57668	NTR25J-E47E0
A22A1R1065	321-0193-00	B040000	RES, FXD, FILM: 1K OHM, 1%, 0.125W, TC=T0	19701	5033ED1K00F
A22A1R1066	321-0248-00	B040000	RES, FXD, FILM: 3.74K OHM, 1%, 0.125W, TC=T0	19701	5043ED3K740F
A22A1R1067	321-0248-00	B040000	RES, FXD, FILM: 3.74K OHM, 1%, 0.125W, TC=T0	19701	5043ED3K740F
A22A1R1068	-----		(NOMINAL VALUE, SELECTED)		
A22A1R1070	-----		(NOMINAL VALUE, SELECTED)		
A22A1R1071	321-0245-00	B040000	RES, FXD, FILM: 3.48K OHM, 1%, 0.125W, TC=T0	19701	5033ED3K48F
A22A1R1072	315-0470-00	B040000	RES, FXD, FILM: 47 OHM, 5%, 0.25W	57668	NTR25J-E47E0
A22A1R1078	315-0390-00	B040000	RES, FXD, FILM: 39 OHM, 5%, 0.25W	57668	NTR25J-E39E0
A22A1R2010	321-1296-07	B040000	RES, FXD, FILM: 12.0K OHM, 0.1%, 0.125W, TC=T9	19701	5033RE12K00B
A22A1R2011	321-1296-07	B040000	RES, FXD, FILM: 12.0K OHM, 0.1%, 0.125W, TC=T9	19701	5033RE12K00B
A22A1R2012	315-0470-00	B040000	RES, FXD, FILM: 47 OHM, 5%, 0.25W	57668	NTR25J-E47E0
A22A1R2013	315-0103-00	B040000	RES, FXD, FILM: 10K OHM, 5%, 0.25W	19701	5043CX10K00J
A22A1R2014	315-0332-00	B040000	RES, FXD, FILM: 3.3K OHM, 5%, 0.25W	57668	NTR25J-E03K3
A22A1R2015	315-0102-00	B040000	RES, FXD, FILM: 1K OHM, 5%, 0.25W	57668	NTR25JE01K0
A22A1R2016	321-0264-07	B040000	RES, FXD, FILM: 5.49K OHM, 0.1%, 0.125W, TC=T9	07716	CEAE54900B
A22A1R2017	321-1617-06	B040000	RES, FXD, FILM: 5.85K OHM, 0.25%, 0.125W, TC=T9	07716	CEAE58500C
A22A1R2018	315-0302-00	B040000	RES, FXD, FILM: 3K OHM, 5%, 0.25W	57668	NTR25J-E03K0
A22A1R2019	315-0751-00	B040000	RES, FXD, FILM: 750 OHM, 5%, 0.25W	57668	NTR25J-E750E
A22A1R2020	315-0152-00	B040000	RES, FXD, FILM: 1.5K OHM, 5%, 0.25W	57668	NTR25J-E01K5
A22A1R2021	315-0240-00	B040000	RES, FXD, FILM: 24 OHM, 5%, 0.25W	57668	NTR25J-E24E0
A22A1R2022	315-0102-00	B040000	RES, FXD, FILM: 1K OHM, 5%, 0.25W	57668	NTR25JE01K0
A22A1R2023	315-0152-00	B040000	RES, FXD, FILM: 1.5K OHM, 5%, 0.25W	57668	NTR25J-E01K5
A22A1R2024	315-0102-00	B040000	RES, FXD, FILM: 1K OHM, 5%, 0.25W	57668	NTR25JE01K0
A22A1R2025	315-0270-00	B042185	RES, FXD, FILM: 27 OHM, 5%, 0.25W	19701	5043CX27R00J
A22A1R2026	315-0152-00	B040000	RES, FXD, FILM: 1.5K OHM, 5%, 0.25W	57668	NTR25J-E01K5
A22A1R2027	315-0131-00	B040000	RES, FXD, FILM: 130 OHM, 5%, 0.25W	19701	5043CX130R0J
A22A1R2028	315-0911-00	B040000	RES, FXD, FILM: 910 OHM, 5%, 0.25W	57668	NTR25J-E910E
A22A1R2029	315-0102-00	B040000	RES, FXD, FILM: 1K OHM, 5%, 0.25W	57668	NTR25JE01K0
A22A1R2030	315-0152-00	B040000	RES, FXD, FILM: 1.5K OHM, 5%, 0.25W	57668	NTR25J-E01K5
A22A1R2033	315-0152-00	B040000	RES, FXD, FILM: 1.5K OHM, 5%, 0.25W	57668	NTR25J-E01K5
A22A1R2035	315-0161-00	B040000	RES, FXD, FILM: 160 OHM, 5%, 0.25W	57668	NTR25J-E 160E
A22A1R2036	315-0391-00	B040000	RES, FXD, FILM: 390 OHM, 5%, 0.25W	57668	NTR25J-E390E
A22A1R2037	315-0161-00	B040000	RES, FXD, FILM: 160 OHM, 5%, 0.25W	57668	NTR25J-E 160E
A22A1R2038	315-0102-00	B040000	RES, FXD, FILM: 1K OHM, 5%, 0.25W	57668	NTR25JE01K0
A22A1R2039	315-0270-00	B042185	RES, FXD, FILM: 27 OHM, 5%, 0.25W	19701	5043CX27R00J
A22A1R2042	321-0280-00	B040000	RES, FXD, FILM: 8.06K OHM, 1%, 0.125W, TC=T0	19701	5033ED8K060F
A22A1R2043	321-0279-00	B040000	RES, FXD, FILM: 7.87K OHM, 1%, 0.125W, TC=T0	07716	CEAD78700F
A22A1R2044	321-0280-00	B040000	RES, FXD, FILM: 8.06K OHM, 1%, 0.125W, TC=T0	19701	5033ED8K060F
A22A1R2045	321-0281-00	B040000	RES, FXD, FILM: 8.25K OHM, 1%, 0.125W, TC=T0	19701	5043ED8K250F
A22A1R2046	321-0283-00	B040000	RES, FXD, FILM: 8.66K OHM, 1%, 0.125W, TC=T0	19701	5043ED8K660F
A22A1R2047	321-0286-00	B040000	RES, FXD, FILM: 9.31K OHM, 1%, 0.125W, TC=T0	19701	5043ED9K310F
A22A1R2048	321-0294-00	B040000	RES, FXD, FILM: 11.3K OHM, 1%, 0.125W, TC=T0	19701	5043ED11K30F
A22A1R2050	321-0361-00	B040000	RES, FXD, FILM: 56.2K OHM, 1%, 0.125W, TC=T0	07716	CEAD56201F
A22A1R2051	321-0334-00	B040000	RES, FXD, FILM: 29.4K OHM, 1%, 0.125W, TC=T0	07716	CEAD29401F
A22A1R2052	321-0314-00	B040000	RES, FXD, FILM: 18.2K OHM, 1%, 0.125W, TC=T0	19701	5043ED18K20F
A22A1R2053	321-0300-00	B040000	RES, FXD, FILM: 13.0K OHM, 1%, 0.125W, TC=T0	07716	CEAD13001F
A22A1R2054	321-0289-00	B040000	RES, FXD, FILM: 10.0K OHM, 1%, 0.125W, TC=T0	19701	5033ED10K0F
A22A1R2055	321-0279-00	B040000	RES, FXD, FILM: 7.87K OHM, 1%, 0.125W, TC=T0	07716	CEAD78700F

Replaceable Electrical Parts
492/492P Service Vol. 2 (B030000 & Up)

Component No.	Tektronix Part No.	Serial/Assembly No. Effective Dscnt	Name & Description	Mfr. Code	Mfr. Part No.
A22A1R2056	321-0651-00	B040000	RES,FXD,FILM:15.8K OHM,0.25%,0.125W,T=T9	07716	CEAE15801C
A22A1R2057	321-0308-00	B040000	RES,FXD,FILM:15.8K OHM,1%,0.125W,TC=TO	07716	CEAD 15801F
A22A1R2058	321-0285-09	B040000	RES,FXD,FILM:9.09K OHM,1%,0.125W,TC=T9	19701	5033RE9K090F
A22A1R2059	321-0289-00	B040000	RES,FXD,FILM:10.0K OHM,1%,0.125W,TC=TO	19701	5033ED10K0F
A22A1R2060	321-0289-00	B040000	RES,FXD,FILM:10.0K OHM,1%,0.125W,TC=TO	19701	5033ED10K0F
A22A1R2061	321-0239-00	B040000	RES,FXD,FILM:3.01K OHM,1%,0.125W,TC=TO	19701	5043ED3K010F
A22A1R2063	-----		(NOMINAL VALUE,SELECTED)		
A22A1R2064	315-0101-00	B040000	RES,FXD,FILM:100 OHM,5%,0.25W	57668	NTR25J-E 100E
A22A1R2065	315-0101-00	B040000	RES,FXD,FILM:100 OHM,5%,0.25W	57668	NTR25J-E 100E
A22A1R2071	315-0102-00	B040000	RES,FXD,FILM:1K OHM,5%,0.25W	57668	NTR25JE01K0
A22A1R2072	315-0102-00	B040000	RES,FXD,FILM:1K OHM,5%,0.25W	57668	NTR25JE01K0
A22A1R2073	315-0102-00	B040000	RES,FXD,FILM:1K OHM,5%,0.25W	57668	NTR25JE01K0
A22A1R2074	321-0272-00	B040000	RES,FXD,FILM:6.65K OHM,1%,0.125W,TC=TO	19701	5043ED6K650F
A22A1R2076	315-0101-00	B040000	RES,FXD,FILM:100 OHM,5%,0.25W	57668	NTR25J-E 100E
A22A1R2078	321-0272-00	B040000	RES,FXD,FILM:6.65K OHM,1%,0.125W,TC=TO	19701	5043ED6K650F
A22A1R2079	315-0101-00	B040000	RES,FXD,FILM:100 OHM,5%,0.25W	57668	NTR25J-E 100E
A22A1R2097	321-0047-00	B040000	RES,FXD,FILM:30.1 OHM,1%,0.125W,TC=TO	91637	CMF55116G30R10F
A22A1T1075	120-1386-00	B040000	TRANSFORMER,RF:TOROID	80009	120-1386-00
A22A1T1077	120-1427-00	B040000	XFMR,COIL:TORROID	80009	120-1427-00
A22A1U1015	156-0105-04	B040000	MICROCKT,LINER:OPNL AMPL,SCREENED	01295	LM301AJG4
A22A1U1028	156-1338-02	B040000	MICROCKT,LINER:OPERATIONAL AMPLIFIER,SCRN	01295	NE5534P3
A22A1U1051	156-1545-00	B040000	MICROCKT,LINER:DIODE ARRAY 7 ISOL DIODES	07263	FSA2720M
A22A1U1062	156-1272-00	B040000	MICROCKT,LINER:DUAL OPERATIONAL AMPLIFIER	80009	156-1272-00
A22A1U2014	156-1272-00	B040000	MICROCKT,LINER:DUAL OPERATIONAL AMPLIFIER	80009	156-1272-00
A22A1U2027	156-0230-02	B040000	MICROCKT,DGTL:ECL,DUAL D-TYPE M/S FF	04713	MC10131LD
A22A1U2036	156-0860-02	B040000	MICROCKT,DGTL:TRIPLE LINE RECEIVER	04713	MC10116PD/LD
A22A1U2051	156-1545-00	B040000	MICROCKT,LINER:DIODE ARRAY 7 ISOL DIODES	07263	FSA2720M
A22A1U2063	156-1338-02	B040000	MICROCKT,LINER:OPERATIONAL AMPLIFIER,SCRN	01295	NE5534P3
A22A1VR2021	152-0486-00	B040000	SEMICOND DVC,DI:ZEN,SI,6.2V,2%,400MM,DO-35	04713	SZG20008
A22A1W2059	131-0566-00	B040000	BUS,CONDUCTOR:DUMMY RES,0.094 OD X 0.225 L	24546	OMA 07
A22A2	119-1457-00	B040000	PH LOCK LO ASSY:	80009	119-1457-00
A22A2	119-1457-01	B042000	PHASE LOCK LO:	80009	119-1457-01
A22A2	119-1457-02	B053999	PH,LOCK LO ASSY:	80009	119-1457-02
A22A2C2200	281-0825-00	B040000	CAP,FXD,CER DI:0.005UF,+100-0%,100V	33095	51-726-008
A22A2C2201	281-0825-00	B040000	CAP,FXD,CER DI:0.005UF,+100-0%,100V	33095	51-726-008
A22A2C2202	281-0825-00	B040000	CAP,FXD,CER DI:0.005UF,+100-0%,100V	33095	51-726-008
A22A2C2203	281-0875-00	B040000	CAP,FXD,CER DI:100PF,20%,200V	33095	54713 XXX-101M
A22A2C2204	281-0875-00	B040000	CAP,FXD,CER DI:100PF,20%,200V	33095	54713 XXX-101M
A22A2A1	670-7395-00	B040000	CIRCUIT BD ASSY:2182 MHZ MICRO STRIP OSC	80009	670-7395-00
A22A2A1	670-7395-01	B042000	CIRCUIT BD ASSY:2182MHZ MICRO STRIP OSC	80009	670-7395-01
A22A2A1C1011	283-0181-00	B040000	CAP,FXD,CER DI:1.8PF,+/-0.1%,100V	51642	100 100NP0189B
A22A2A1C1013	283-0220-00	B040000	CAP,FXD,CER DI:0.01UF,20%,50V	04222	3429 050C 103M
A22A2A1C1014	283-0181-00	B040000	CAP,FXD,CER DI:1.8PF,+/-0.1%,100V	51642	100 100NP0189B
A22A2A1C1021	283-0176-00	B042000	CAP,FXD,CER DI:0.0022UF,20%,50V	04222	SR205C222MAA
A22A2A1C1031	283-0181-00	B040000	CAP,FXD,CER DI:1.8PF,+/-0.1%,100V	51642	100 100NP0189B
A22A2A1C1033	283-0181-00	B040000	CAP,FXD,CER DI:1.8PF,+/-0.1%,100V	51642	100 100NP0189B
A22A2A1C2011	283-0220-00	B040000	CAP,FXD,CER DI:0.01UF,20%,50V	04222	3429 050C 103M
A22A2A1C2012	283-0181-00	B040000	CAP,FXD,CER DI:1.8PF,+/-0.1%,100V	51642	100 100NP0189B
A22A2A1C2013	283-0181-00	B040000	CAP,FXD,CER DI:1.8PF,+/-0.1%,100V	51642	100 100NP0189B
A22A2A1C2014	283-0176-00	B040000	CAP,FXD,CER DI:0.0022UF,20%,50V	04222	SR205C222MAA
A22A2A1C2021	283-0220-00	B040000	CAP,FXD,CER DI:0.01UF,20%,50V	04222	3429 050C 103M
A22A2A1C2021	283-0176-00	B042000	CAP,FXD,CER DI:0.0022UF,20%,50V	04222	SR205C222MAA
A22A2A1C2023	283-0181-00	B040000	CAP,FXD,CER DI:1.8PF,+/-0.1%,100V	51642	100 100NP0189B
A22A2A1C2024	290-0517-00	B040000	CAP,FXD,ELCTLT:6.8UF,20%,35V	05397	T368B685M035AZ
A22A2A1C2025	283-0181-00	B040000	CAP,FXD,CER DI:1.8PF,+/-0.1%,100V	51642	100 100NP0189B
A22A2A1C2031	283-0181-00	B040000	CAP,FXD,CER DI:1.8PF,+/-0.1%,100V	51642	100 100NP0189B
A22A2A1C2032	283-0220-00	B040000	CAP,FXD,CER DI:0.01UF,20%,50V	04222	3429 050C 103M
A22A2A1C2033	283-0220-00	B040000	CAP,FXD,CER DI:0.01UF,20%,50V	04222	3429 050C 103M

Replaceable Electrical Parts
492/492P Service Vol. 2 (B030000 & Up)

Component No.	Tektronix Part No.	Serial/Assembly No. Effective Dscont	Name & Description	Mfr. Code	Mfr. Part No.
A22A2A1CR1028	152-0722-00	B040000	SEMICON DVC,DI:VVC,SI,45 V,1.5 PF AT 4 V	17540	DVH-6934-98
A22A2A1CR2013	152-0141-02	B040000	SEMICON DVC,DI:SW,SI,30V,150MA,30V,DO-35	03508	DA2527 (1N4152)
A22A2A1CR2021	152-0141-02	B040000	SEMICON DVC,DI:SW,SI,30V,150MA,30V,DO-35	03508	DA2527 (1N4152)
A22A2A1CR2031	152-0141-02	B040000	SEMICON DVC,DI:SW,SI,30V,150MA,30V,DO-35	03508	DA2527 (1N4152)
A22A2A1L1011	108-0682-00	B040000	COIL,RF:FIXED,61NH	80009	108-0682-00
A22A2A1L1014	108-0682-00	B040000	COIL,RF:FIXED,61NH	80009	108-0682-00
A22A2A1L2011	108-0682-00	B040000	COIL,RF:FIXED,61NH	80009	108-0682-00
A22A2A1L2013	108-0682-00	B040000	COIL,RF:FIXED,61NH	80009	108-0682-00
A22A2A1L2023	108-0682-00	B040000	COIL,RF:FIXED,61NH	80009	108-0682-00
A22A2A1L2025	108-0682-00	B040000	COIL,RF:FIXED,61NH	80009	108-0682-00
A22A2A1L2031	108-0682-00	B040000	COIL,RF:FIXED,61NH	80009	108-0682-00
A22A2A1L2032	108-0682-00	B040000	COIL,RF:FIXED,61NH	80009	108-0682-00
A22A2A1L2033	108-0682-00	B040000	COIL,RF:FIXED,61NH	80009	108-0682-00
A22A2A1Q1011	151-0689-00	B040000	TRANSISTOR:NPN,SI,MICRO-X	S0545	NE57835
A22A2A1Q1021	151-0630-00	B040000	TRANSISTOR:NPN,SI,4 LEAD,CER PKG	S0545	NE02135
A22A2A1Q1031	151-0689-00	B040000	TRANSISTOR:NPN,SI,MICRO-X	S0545	NE57835
A22A2A1Q2021	151-0301-00	B040000	TRANSISTOR:PNP,SI,TO-18	04713	ST898
A22A2A1R1011	317-0101-00	B040000	RES,FXD,CMPSN:100 OHM,5%,0.125W	01121	BB1015
A22A2A1R1012	321-0134-00	B040000	RES,FXD,FILM:243 OHM,1%,0.125W,TC=TO	19701	5043ED243R0F
A22A2A1R1013	321-0216-00	B040000	RES,FXD,FILM:1.74K OHM,1%,0.125W,TC=TO	07716	CEAD17400F
A22A2A1R1015	317-0104-00	B040000	RES,FXD,CMPSN:100K OHM,5%,0.125W	01121	BB1045
A22A2A1R1021	317-0101-00	B040000	RES,FXD,CMPSN:100 OHM,5%,0.125W	01121	BB1015
A22A2A1R1022	317-0101-00	B040000	RES,FXD,CMPSN:100 OHM,5%,0.125W	01121	BB1015
A22A2A1R1023	317-0240-00	B040000	RES,FXD,CMPSN:24 OHM,5%,0.125W	01121	BB2405
A22A2A1R1026	317-0240-00	B040000	RES,FXD,CMPSN:24 OHM,5%,0.125W	01121	BB2405
A22A2A1R1027	317-0101-00	B040000	RES,FXD,CMPSN:100 OHM,5%,0.125W	01121	BB1015
A22A2A1R1028	317-0101-00	B040000	RES,FXD,CMPSN:100 OHM,5%,0.125W	01121	BB1015
A22A2A1R1029	317-0240-00	B040000	RES,FXD,CMPSN:24 OHM,5%,0.125W	01121	BB2405
A22A2A1R1032	317-0101-00	B040000	RES,FXD,CMPSN:100 OHM,5%,0.125W	01121	BB1015
A22A2A1R1033	317-0101-00	B040000	RES,FXD,CMPSN:100 OHM,5%,0.125W	01121	BB1015
A22A2A1R2013	321-0250-00	B040000	RES,FXD,FILM:3.92K OHM,1%,0.125W,TC=TO	07716	CEAD39200F
A22A2A1R2014	317-0243-00	B040000	RES,FXD,CMPSN:24K OHM,5%,0.125W	01121	BB2435
A22A2A1R2015	317-0472-00	B040000	RES,FXD,CMPSN:4.7K OHM,5%,0.125W	01121	BB4725
A22A2A1R2016	317-0622-00	B040000	RES,FXD,CMPSN:6.2K OHM,5%,0.125W	01121	BB6225
A22A2A1R2017	317-0390-00	B040000	RES,FXD,CMPSN:39 OHM,5%,0.125W	01121	BB3905
A22A2A1R2021	317-0103-00	B040000	RES,FXD,CMPSN:10K OHM,5%,0.125W	01121	BB1035
A22A2A1R2022	317-0102-00	B040000	RES,FXD,CMPSN:1K OHM,5%,0.125W	01121	BB1025
A22A2A1R2023	317-0390-00	B040000	RES,FXD,CMPSN:39 OHM,5%,0.125W	01121	BB3905
A22A2A1R2024	317-0151-00	B040000	RES,FXD,CMPSN:150 OHM,5%,0.125W	01121	BB1515
A22A2A1R2025	317-0101-00	B040000	RES,FXD,CMPSN:100 OHM,5%,0.125W	01121	BB1015
A22A2A1R2030	317-0101-00	B040000	RES,FXD,CMPSN:100 OHM,5%,0.125W	01121	BB1015
A22A2A1R2031	321-0265-00	B040000	RES,FXD,FILM:5.62K OHM,1%,0.125W,TC=TO	19701	5043ED5K620F
A22A2A1R2032	321-0932-00	B040000	RES,FXD,FILM:2.5K OHM,1%,0.125W,TC=TO	24546	NA55D2501F
A22A2A1R2033	321-0149-00	B040000	RES,FXD,FILM:348 OHM,1%,0.125W,TC=TO	07716	CEAD348R0F
A22A2A2	670-7076-00	B040000	CIRCUIT BD ASSY:2200MHZ REFERENCE	80009	670-7076-00
A22A2A2	670-7076-01	B053999	CIRCUIT BD ASSY:2200MHZ REF	80009	670-7076-01
A22A2A2C1025	283-0157-00	B040000	CAP,FXD,CER DI:7PF,5%,50V	05397	C315C709D5G5CA
A22A2A2C1029	283-0070-00	B040000	CAP,FXD,CER DI:30PF,10%,50V	51642	200-050-NPO-300K
A22A2A2C1036	283-0154-00	B040000	CAP,FXD,CER DI:22PF,5%,50V	04222	SR155A22QJAA
A22A2A2C1038	283-0156-00	B040000	CAP,FXD,CER DI:0.001 UF,+80-20%,200V	05397	C315C102Z2R5CA
A22A2A2C2015	283-0185-00	B040000	CAP,FXD,CER DI:2.5PF,0.5%,50V	51642	100-050-NPO-259B
A22A2A2C2021	283-0220-00	B040000	CAP,FXD,CER DI:0.01UF,20%,50V	04222	3429 050C 103M
A22A2A2C2023	283-0326-00	B040000	CAP,FXD,CER DI:0.082UF,10%,50V	51406	RPE111X7R823K50V
A22A2A2C2026	283-0108-00	B040000	CAP,FXD,CER DI:220PF,10%,200V	31433	C320C221K2G5CA
A22A2A2C3015	283-0158-00	B040000	CAP,FXD,CER DI:1PF,+/-0.1PF,50V	51642	100-050-NPO-109B
A22A2A2C3024	290-0517-00	B040000	CAP,FXD,ELCTL:6.8UF,20%,35V	05397	T368B685M035AZ
A22A2A2CR2014	152-0153-04	B040000	SEMICON DVC,DI:SW,SI,10V,10MA	01295	PG7032
A22A2A2E2014	276-0543-00	B053999	SHLD BEAD,ELEK:FERRITE	80009	276-0543-00

Component No.	Tektronix Part No.	Serial/Assembly No. Effective	Dscont	Name & Description	Mfr. Code	Mfr. Part No.
A22A2A2E2015	276-0543-00	B053999		SHLD BEAD,ELEK:FERRITE	80009	276-0543-00
A22A2A2L1025	108-0436-00	B040000		COIL,RF:FIXED,235NH	80009	108-0436-00
A22A2A2L1034	108-0733-00	B040000		COIL,RF:FIXED,117NH	80009	108-0733-00
A22A2A2Q1024	151-0441-00	B040000		TRANSISTOR:NPN,SI,TO-72	04713	SRF501
A22A2A2Q2024	151-0441-00	B040000		TRANSISTOR:NPN,SI,TO-72	04713	SRF501
A22A2A2R2018	317-0330-00	B040000		RES,FXD,CMPSPN:33 OHM,5%,0.125W	01121	BB3305
A22A2A2R2019	317-0431-00	B040000		RES,FXD,CMPSPN:430 OHM,5%,0.125W	01121	BB4315
A22A2A2R2021	315-0122-00	B040000		RES,FXD,FILM:1.2K OHM,5%,0.25W	57668	NTR25J-E01K2
A22A2A2R2023	315-0821-00	B040000		RES,FXD,FILM:820 OHM,5%,0.25W	19701	5043CX820R0J
A22A2A2R2032	315-0331-00	B040000		RES,FXD,FILM:330 OHM,5%,0.25W	57668	NTR25J-E330E
A22A2A2R2033	315-0331-00	B040000		RES,FXD,FILM:330 OHM,5%,0.25W	57668	NTR25J-E330E
A22A2A2R3014	317-0301-00	B040000		RES,FXD,CMPSPN:300 OHM,5%,0.125W	01121	BB3015
A22A2A2R3015	317-0360-00	B040000		RES,FXD,CMPSPN:36 OHM,5%,0.125W	01121	BB3605
A22A2A2R3016	317-0360-00	B040000		RES,FXD,CMPSPN:36 OHM,5%,0.125W	01121	BB3605
A22A2A2R3021	317-0301-00	B040000		RES,FXD,CMPSPN:300 OHM,5%,0.125W	01121	BB3015
A22A2A2R3025	315-0470-00	B040000		RES,FXD,FILM:47 OHM,5%,0.25W	57668	NTR25J-E47E0
A22A2A2T2015	120-1393-00	B040000		TRANSFORMER,RF:BALUN	80009	120-1393-00
A22A2A3	670-7079-00	B040000		CIRCUIT BD ASSY:2200MHZ REFERENCE MIXER	80009	670-7079-00
A22A2A3C1013	283-0107-00	B040000		CAP,FXD,CER DI:51PF,5%,200V	04222	SR206A510JAA
A22A2A3C1014	283-0108-00	B040000		CAP,FXD,CER DI:220PF,10%,200V	31433	C320C221K2G5CA
A22A2A3C1015	283-0108-00	B040000		CAP,FXD,CER DI:220PF,10%,200V	31433	C320C221K2G5CA
A22A2A3C1016	283-0139-00	B040000		CAP,FXD,CER DI:150PF,20%,50V	05397	C312C151M5G5CA
A22A2A3CR1011	152-0322-00	B040000		SEMICON DVC,DI:SCHOTTKY,SI,15V,DO-35	50434	5082-2672
A22A2A3CR1012	152-0322-00	B040000		SEMICON DVC,DI:SCHOTTKY,SI,15V,DO-35	50434	5082-2672
A22A2A3L1013	108-0182-00	B040000		COIL,RF:FIXED,293NH	80009	108-0182-00
A22A2A3L1014	108-0182-00	B040000		COIL,RF:FIXED,293NH	80009	108-0182-00
A22A2A3L1015	108-0182-00	B040000		COIL,RF:FIXED,293NH	80009	108-0182-00
A23	119-1131-01	B030000	B041819	SEC CONV ASSY:829MHZ	80009	119-1131-01
A23	119-1131-02	B041820	B053798	SEC CONV ASSY:829MHZ	80009	119-1131-02
A23	119-1131-03	B053799	B054651	SEC CONV ASSY:829MHZ	80009	119-1131-03
A23	119-1131-04	B054652	B055961	SEC CONV ASSY:829MHZ	80009	119-1131-04
A23	119-1131-05	B055962		SEC CONV ASSY:829MHZ	80009	119-1131-05
A23C230	281-0825-00			CAP,FXD,CER DI:0.005UF,+100-0%,100V	33095	51-726-008
A23C231	281-0697-00			CAP,FXD,CER DI:5000PF,+100-0%,100V	72982	2425-003W5W0502Z
A23C232	281-0825-00			CAP,FXD,CER DI:0.005UF,+100-0%,100V	33095	51-726-008
A23C233	281-0697-00			CAP,FXD,CER DI:5000PF,+100-0%,100V	72982	2425-003W5W0502Z
A23C234	281-0825-00			CAP,FXD,CER DI:0.005UF,+100-0%,100V	33095	51-726-008
A23C235	281-0697-00			CAP,FXD,CER DI:5000PF,+100-0%,100V	72982	2425-003W5W0502Z
A23C236	281-0825-00			CAP,FXD,CER DI:0.005UF,+100-0%,100V	33095	51-726-008
A23C237	281-0697-00			CAP,FXD,CER DI:5000PF,+100-0%,100V	72982	2425-003W5W0502Z
A23C239	281-0697-00			CAP,FXD,CER DI:5000PF,+100-0%,100V	72982	2425-003W5W0502Z
A23P231	131-1924-00			CONN,RCPT,ELEC:SMA SERIES,FEMALE	24931	39JR138-4
A23P232	131-1170-00			CONN,RCPT,ELEC:SNAP-ON,MALE	98291	051-045-0249
A23P233	131-1170-00			CONN,RCPT,ELEC:SNAP-ON,MALE	98291	051-045-0249
A23P235	131-1170-00			CONN,RCPT,ELEC:SNAP-ON,MALE	98291	051-045-0249
A23P236	131-1924-00			CONN,RCPT,ELEC:SMA SERIES,FEMALE	24931	39JR138-4
A23P237	131-1924-00			CONN,RCPT,ELEC:SMA SERIES,FEMALE	24931	39JR138-4
A23U1013	156-0285-00			MICROCKT,LINER:VOLTAGE REGULATOR	04713	MC7812CT
A23U2026	156-0872-00			MICROCKT,LINER:VOLTAGE REGULATOR	04713	MC7912CT
A23U3024	156-0277-00			MICROCKT,LINER:VOLTAGE REGULATOR	04713	LM340T-5.0
A23A1	670-5936-00			CIRCUIT BD ASSY:719MHZ SECOND LO	80009	670-5936-00
A23A1C1011	283-0326-00			CAP,FXD,CER DI:0.082UF,10%,50V	51406	RPE111X7R823K50V
A23A1C1012	283-0330-00			CAP,FXD,CER DI:100PF,5%,50V	05397	C320C101J5R5CA
A23A1C1013	283-0140-00			CAP,FXD,CER DI:4.7PF,+/-0.25PF,50V	72982	8101E003A479C
A23A1C1021	283-0159-00			CAP,FXD,CER DI:18PF,5%,50V	04222	SR155A18QJAA
A23A1C1022	283-0140-00			CAP,FXD,CER DI:4.7PF,+/-0.25PF,50V	72982	8101E003A479C
A23A1C1023	283-0140-00			CAP,FXD,CER DI:4.7PF,+/-0.25PF,50V	72982	8101E003A479C
A23A1C1024	283-0176-00			CAP,FXD,CER DI:0.0022UF,20%,50V	04222	SR205C222MAA

Replaceable Electrical Parts
492/492P Service Vol. 2 (B030000 & Up)

Component No.	Tektronix Part No.	Serial/Assembly No. Effective	Dscont	Name & Description	Mfr. Code	Mfr. Part No.
A23A1C1025	283-0176-00			CAP,FXD,CER DI:0.0022UF,20%,50V	04222	SR205C222MAA
A23A1C2011	283-0326-00			CAP,FXD,CER DI:0.082UF,10%,50V	51406	RPE111X7R823K50V
A23A1C2012	283-0160-00			CAP,FXD,CER DI:1.5PF,+/-0.1PF,50V	51642	100050NPO159B
A23A1C2013	283-0158-00			CAP,FXD,CER DI:1PF,+/-0.1PF,50V	51642	100-050-NPO-109B
A23A1C2014	283-0176-00			CAP,FXD,CER DI:0.0022UF,20%,50V	04222	SR205C222MAA
A23A1C2015	283-0176-00			CAP,FXD,CER DI:0.0022UF,20%,50V	04222	SR205C222MAA
A23A1C2021	283-0159-00			CAP,FXD,CER DI:18PF,5%,50V	04222	SR155A180JAA
A23A1C2022	283-0140-00			CAP,FXD,CER DI:4.7PF,+/-0.25PF,50V	72982	8101E003A479C
A23A1C2023	283-0140-00			CAP,FXD,CER DI:4.7PF,+/-0.25PF,50V	72982	8101E003A479C
A23A1C2024	283-0176-00			CAP,FXD,CER DI:0.0022UF,20%,50V	04222	SR205C222MAA
A23A1CR1011	152-0738-00			SEMICOND DVC,DI:VVC,SI,30V,1.2PF,DO-35	50101	GC-10580-15
A23A1J2026	131-1003-00			CONN,RCPT,ELEC:CKT BD MT,3 PRONG	80009	131-1003-00
A23A1L1011	108-0733-00			COIL,RF:FIXED,117NH	80009	108-0733-00
A23A1L1021	108-0733-00			COIL,RF:FIXED,117NH	80009	108-0733-00
A23A1L2010	108-0733-00			COIL,RF:FIXED,117NH	80009	108-0733-00
A23A1L2021	108-0733-00			COIL,RF:FIXED,117NH	80009	108-0733-00
A23A1Q1021	151-0630-00			TRANSISTOR:NPN,SI,4 LEAD,CER PKG	S0545	NE02135
A23A1Q2014	151-0447-00			TRANSISTOR:NPN,SI,TO-72	04713	SRF502-1
A23A1Q2021	151-0630-00			TRANSISTOR:NPN,SI,4 LEAD,CER PKG	S0545	NE02135
A23A1R1011	317-0101-00			RES,FXD,CMPSN:100 OHM,5%,0.125W	01121	BB1015
A23A1R1020	317-0220-00			RES,FXD,CMPSN:22 OHM,5%,0.125W	01121	BB2205
A23A1R1021	317-0750-00			RES,FXD,CMPSN:75 OHM,5%,0.125W	01121	BB7505
A23A1R1022	317-0330-00			RES,FXD,CMPSN:33 OHM,5%,0.125W	01121	BB3305
A23A1R1023	317-0272-00			RES,FXD,CMPSN:2.7K OHM,5%,0.125W	01121	BB2725
A23A1R1024	315-0271-00			RES,FXD,FILM:270 OHM,5%,0.25W	57668	NTR25J-E270E
A23A1R1025	317-0471-00			RES,FXD,CMPSN:470 OHM,5%,0.125W	01121	BB4715
A23A1R2010	317-0510-00			RES,FXD,CMPSN:51 OHM,5%,0.125W	01121	BB5105
A23A1R2011	317-0470-00			RES,FXD,CMPSN:47 OHM,5%,0.125W	01121	BB4705
A23A1R2012	317-0102-00			RES,FXD,CMPSN:1K OHM,5%,0.125W	01121	BB1025
A23A1R2013	317-0241-00			RES,FXD,CMPSN:240 OHM,5%,0.125W	01121	BB2415
A23A1R2014	317-0202-00			RES,FXD,CMPSN:2K OHM,5%,0.125W	01121	BB2025
A23A1R2016	315-0271-00			RES,FXD,FILM:270 OHM,5%,0.25W	57668	NTR25J-E270E
A23A1R2021	317-0510-00			RES,FXD,CMPSN:51 OHM,5%,0.125W	01121	BB5105
A23A1R2023	317-0272-00			RES,FXD,CMPSN:2.7K OHM,5%,0.125W	01121	BB2725
A23A1R2024	317-0471-00			RES,FXD,CMPSN:470 OHM,5%,0.125W	01121	BB4715
A23A1R2025	317-0241-00			RES,FXD,CMPSN:240 OHM,5%,0.125W	01121	BB2415
A23A1R2026	317-0510-00			RES,FXD,CMPSN:51 OHM,5%,0.125W	01121	BB5105
A23A1R2027	317-0360-00			RES,FXD,CMPSN:36 OHM,5%,0.125W	01121	BB3605
A23A1R2028	317-0360-00			RES,FXD,CMPSN:36 OHM,5%,0.125W	01121	BB3605
A23A1R2029	317-0301-00			RES,FXD,CMPSN:300 OHM,5%,0.125W	01121	BB3015
A23A1TP1011	214-0579-00			TERM,TEST POINT:BRS CD PL	80009	214-0579-00
A23A2	670-5937-02	B030000	B041819	CIRCUIT BD ASSY:25MHZ PHASE LOCK	80009	670-5937-02
A23A2	670-5937-03	B041820		CIRCUIT BD ASSY:25MHZ PHASE LOCK	80009	670-5937-03
A23A2C1011	283-0176-00			CAP,FXD,CER DI:0.0022UF,20%,50V	04222	SR205C222MAA
A23A2C1024	283-0176-00			CAP,FXD,CER DI:0.0022UF,20%,50V	04222	SR205C222MAA
A23A2C1031	283-0204-00			CAP,FXD,CER DI:0.01UF,20%,50V	04222	SR155E103MAA
A23A2C1037	283-0204-00			CAP,FXD,CER DI:0.01UF,20%,50V	04222	SR155E103MAA
A23A2C1045	283-0204-00			CAP,FXD,CER DI:0.01UF,20%,50V	04222	SR155E103MAA
A23A2C1046	283-0176-00			CAP,FXD,CER DI:0.0022UF,20%,50V	04222	SR205C222MAA
A23A2C1052	290-0876-00			CAP,FXD,ELCTLT:15UF,20%,25 WVDC	05397	T330C156M025AS
A23A2C1057	283-0176-00			CAP,FXD,CER DI:0.0022UF,20%,50V	04222	SR205C222MAA
A23A2C2011	283-0326-00			CAP,FXD,CER DI:0.082UF,10%,50V	51406	RPE111X7R823K50V
A23A2C2012	283-0326-00			CAP,FXD,CER DI:0.082UF,10%,50V	51406	RPE111X7R823K50V
A23A2C2021	290-0876-00			CAP,FXD,ELCTLT:15UF,20%,25 WVDC	05397	T330C156M025AS
A23A2C2023	283-0326-00			CAP,FXD,CER DI:0.082UF,10%,50V	51406	RPE111X7R823K50V
A23A2C2024	290-0876-00			CAP,FXD,ELCTLT:15UF,20%,25 WVDC	05397	T330C156M025AS
A23A2C2025	283-0326-00			CAP,FXD,CER DI:0.082UF,10%,50V	51406	RPE111X7R823K50V
A23A2C2032	283-0326-00			CAP,FXD,CER DI:0.082UF,10%,50V	51406	RPE111X7R823K50V

Replaceable Electrical Parts
492/492P Service Vol. 2 (B030000 & Up)

Component No.	Tektronix Part No.	Serial/Assembly No. Effective	Discont	Name & Description	Mfr. Code	Mfr. Part No.
A23A2C2041	283-0176-00			CAP, FXD, CER DI: 0.0022UF, 20%, 50V	04222	SR205C222MAA
A23A2C2042	283-0204-00			CAP, FXD, CER DI: 0.01UF, 20%, 50V	04222	SR155E103MAA
A23A2C2051	283-0326-00			CAP, FXD, CER DI: 0.082UF, 10%, 50V	51406	RPE111X7R823K50V
A23A2C2052	290-0876-00			CAP, FXD, ELCTLT: 15UF, 20%, 25 WVDC	05397	T330C156M025AS
A23A2C2053	283-0326-00			CAP, FXD, CER DI: 0.082UF, 10%, 50V	51406	RPE111X7R823K50V
A23A2C2054	283-0326-00			CAP, FXD, CER DI: 0.082UF, 10%, 50V	51406	RPE111X7R823K50V
A23A2C2055	283-0197-00			CAP, FXD, CER DI: 470PF, 5%, 50V	04222	SR205A471JAA
A23A2C2056	290-0876-00			CAP, FXD, ELCTLT: 15UF, 20%, 25 WVDC	05397	T330C156M025AS
A23A2C2057	290-0876-00			CAP, FXD, ELCTLT: 15UF, 20%, 25 WVDC	05397	T330C156M025AS
A23A2C3021	283-0326-00			CAP, FXD, CER DI: 0.082UF, 10%, 50V	51406	RPE111X7R823K50V
A23A2C3022	283-0326-00			CAP, FXD, CER DI: 0.082UF, 10%, 50V	51406	RPE111X7R823K50V
A23A2C3023	290-0876-00			CAP, FXD, ELCTLT: 15UF, 20%, 25 WVDC	05397	T330C156M025AS
A23A2C3031	283-0326-00			CAP, FXD, CER DI: 0.082UF, 10%, 50V	51406	RPE111X7R823K50V
A23A2C3035	283-0326-00			CAP, FXD, CER DI: 0.082UF, 10%, 50V	51406	RPE111X7R823K50V
A23A2C3038	290-0876-00			CAP, FXD, ELCTLT: 15UF, 20%, 25 WVDC	05397	T330C156M025AS
A23A2C3042	283-0197-00			CAP, FXD, CER DI: 470PF, 5%, 50V	04222	SR205A471JAA
A23A2C3043	283-0326-00			CAP, FXD, CER DI: 0.082UF, 10%, 50V	51406	RPE111X7R823K50V
A23A2C3044	283-0326-00			CAP, FXD, CER DI: 0.082UF, 10%, 50V	51406	RPE111X7R823K50V
A23A2C3055	283-0186-00			CAP, FXD, CER DI: 27PF, 5%, 50V	04222	SR155A 270JAA
A23A2C3056	283-0326-00			CAP, FXD, CER DI: 0.082UF, 10%, 50V	51406	RPE111X7R823K50V
A23A2CR2015	152-0141-02			SEMICOND DVC, DI: SW, SI, 30V, 150MA, 30V, DO-35	03508	DA2527 (1N4152)
A23A2L2013	108-0543-00	B030000	B041819	COIL, RF: FIXED, 1.1UH	TK1345	108-0543-00
A23A2L2013	108-1140-00	B041820		COIL, RF: FXD, 1.1MH	TK1345	108-1140-00
A23A2L2018	108-0543-00	B030000	B041819	COIL, RF: FIXED, 1.1UH	TK1345	108-0543-00
A23A2L2018	108-1140-00	B041820		COIL, RF: FXD, 1.1MH	TK1345	108-1140-00
A23A2L2031	108-0733-00			COIL, RF: FIXED, 117NH	80009	108-0733-00
A23A2L2033	108-0733-00			COIL, RF: FIXED, 117NH	80009	108-0733-00
A23A2L3011	108-0543-00	B030000	B041819	COIL, RF: FIXED, 1.1UH	TK1345	108-0543-00
A23A2L3011	108-1140-00	B041820		COIL, RF: FXD, 1.1MH	TK1345	108-1140-00
A23A2L3034	108-0733-00			COIL, RF: FIXED, 117NH	80009	108-0733-00
A23A2Q2016	151-0301-00			TRANSISTOR: PNP, SI, TO-18	04713	ST898
A23A2Q2017	151-0302-00			TRANSISTOR: NPN, SI, TO-18	04713	ST899
A23A2Q3015	151-0302-00			TRANSISTOR: NPN, SI, TO-18	04713	ST899
A23A2R1021	317-0510-00			RES, FXD, CMPSN: 51 OHM, 5%, 0.125W	01121	BB5105
A23A2R1023	317-0510-00			RES, FXD, CMPSN: 51 OHM, 5%, 0.125W	01121	BB5105
A23A2R1026	317-0471-00			RES, FXD, CMPSN: 470 OHM, 5%, 0.125W	01121	BB4715
A23A2R1027	317-0471-00			RES, FXD, CMPSN: 470 OHM, 5%, 0.125W	01121	BB4715
A23A2R1029	317-0471-00			RES, FXD, CMPSN: 470 OHM, 5%, 0.125W	01121	BB4715
A23A2R1032	317-0047-00			RES, FXD, CMPSN: 4.7 OHM, 5%, 0.125W	01121	BB47G5
A23A2R1033	317-0471-00			RES, FXD, CMPSN: 470 OHM, 5%, 0.125W	01121	BB4715
A23A2R1035	317-0471-00			RES, FXD, CMPSN: 470 OHM, 5%, 0.125W	01121	BB4715
A23A2R1038	317-0471-00			RES, FXD, CMPSN: 470 OHM, 5%, 0.125W	01121	BB4715
A23A2R1041	317-0047-00			RES, FXD, CMPSN: 4.7 OHM, 5%, 0.125W	01121	BB47G5
A23A2R1043	317-0471-00			RES, FXD, CMPSN: 470 OHM, 5%, 0.125W	01121	BB4715
A23A2R1051	317-0100-00			RES, FXD, CMPSN: 10 OHM, 5%, 0.125W	01121	BB1005
A23A2R1058	317-0510-00			RES, FXD, CMPSN: 51 OHM, 5%, 0.125W	01121	BB5105
A23A2R2014	317-0393-00			RES, FXD, CMPSN: 39K OHM, 5%, 0.125W	01121	BB3935
A23A2R2015	317-0203-00			RES, FXD, CMPSN: 20K OHM, 5%, 0.125W	01121	BB2035
A23A2R2034	317-0047-00			RES, FXD, CMPSN: 4.7 OHM, 5%, 0.125W	01121	BB47G5
A23A2R2040	317-0471-00			RES, FXD, CMPSN: 470 OHM, 5%, 0.125W	01121	BB4715
A23A2R2041	317-0102-00			RES, FXD, CMPSN: 1K OHM, 5%, 0.125W	01121	BB1025
A23A2R2043	317-0471-00			RES, FXD, CMPSN: 470 OHM, 5%, 0.125W	01121	BB4715
A23A2R2044	317-0102-00			RES, FXD, CMPSN: 1K OHM, 5%, 0.125W	01121	BB1025
A23A2R2045	317-0102-00			RES, FXD, CMPSN: 1K OHM, 5%, 0.125W	01121	BB1025
A23A2R2046	317-0471-00			RES, FXD, CMPSN: 470 OHM, 5%, 0.125W	01121	BB4715
A23A2R2047	317-0471-00			RES, FXD, CMPSN: 470 OHM, 5%, 0.125W	01121	BB4715
A23A2R2048	317-0361-00			RES, FXD, CMPSN: 360 OHM, 5%, 0.125W	01121	BB3615
A23A2R2049	317-0471-00			RES, FXD, CMPSN: 470 OHM, 5%, 0.125W	01121	BB4715

Replaceable Electrical Parts
492/492P Service Vol. 2 (8030000 & Up)

Component No.	Tektronix Part No.	Serial/Assembly No. Effective Dscont	Name & Description	Mfr. Code	Mfr. Part No.
A23A2R2051	317-0470-00		RES,FXD,CMPSN:47 OHM,5%,0.125W	01121	BB4705
A23A2R2052	317-0510-00		RES,FXD,CMPSN:51 OHM,5%,0.125W	01121	BB5105
A23A2R2053	317-0101-00		RES,FXD,CMPSN:100 OHM,5%,0.125W	01121	BB1015
A23A2R2054	317-0101-00		RES,FXD,CMPSN:100 OHM,5%,0.125W	01121	BB1015
A23A2R2055	317-0101-00		RES,FXD,CMPSN:100 OHM,5%,0.125W	01121	BB1015
A23A2R2056	317-0361-00		RES,FXD,CMPSN:360 OHM,5%,0.125W	01121	BB3615
A23A2R3012	317-0303-00		RES,FXD,CMPSN:30K OHM,5%,0.125W	01121	BB3035
A23A2R3013	317-0203-00		RES,FXD,CMPSN:20K OHM,5%,0.125W	01121	BB2035
A23A2R3014	317-0752-00		RES,FXD,CMPSN:7.5K OHM,5%,0.125W	01121	BB7525
A23A2R3016	317-0752-00		RES,FXD,CMPSN:7.5K OHM,5%,0.125W	01121	BB7525
A23A2R3037	317-0101-00		RES,FXD,CMPSN:100 OHM,5%,0.125W	01121	BB1015
A23A2R3041	317-0361-00		RES,FXD,CMPSN:360 OHM,5%,0.125W	01121	BB3615
A23A2R3045	317-0361-00		RES,FXD,CMPSN:360 OHM,5%,0.125W	01121	BB3615
A23A2R3046	317-0471-00		RES,FXD,CMPSN:470 OHM,5%,0.125W	01121	BB4715
A23A2R3051	317-0332-00		RES,FXD,CMPSN:3.3K OHM,5%,0.125W	01121	BB3325
A23A2R3052	317-0752-00		RES,FXD,CMPSN:7.5K OHM,5%,0.125W	01121	BB7525
A23A2R3054	317-0100-00		RES,FXD,CMPSN:10 OHM,5%,0.125W	01121	BB1005
A23A2TP3047	214-0579-00		TERM,TEST POINT:BRS CD PL	80009	214-0579-00
A23A2U1013	156-0285-00		MICROCKT,LINER:VOLTAGE REGULATOR	04713	MC7812CT
A23A2U1022	156-0860-00		MICROCKT,DGTL:ECL,TRIPLE LINE RECEIVER	04713	MC10116L
A23A2U1036	156-0230-00		MICROCKT,DGTL:ECL,DUAL D MASTER-SLAVE FF	04713	MC10131(L OR P)
A23A2U1044	156-0860-00		MICROCKT,DGTL:ECL,TRIPLE LINE RECEIVER	04713	MC10116L
A23A2U1053	156-0074-00		MICROCKT,LINER:VIDEO AMPL,DIFF INP-OUT	07263	UA733HC
A23A2U2026	156-0872-00		MICROCKT,LINER:VOLTAGE REGULATOR	04713	MC7912CT
A23A2U2047	156-0230-00		MICROCKT,DGTL:ECL,DUAL D MASTER-SLAVE FF	04713	MC10131(L OR P)
A23A2U3024	156-0277-00		MICROCKT,LINER:VOLTAGE REGULATOR	04713	LM340T-5.0
A23A2U3053	156-0742-00		MICROCKT,LINER:OPNL AMPL	01295	LM318P
A23A2VR1048	152-0647-00		SEMICONV DVC,DI:ZENER,SI,6.8V,5%,400MM,DO-7	04713	SZG35014K3RL
A23A3	670-6016-00		CIRCUIT BD ASSY:829MHZ HARMONIC MIXER	80009	670-6016-00
A23A3C1021	283-0326-00		CAP,FXD,CER DI:0.082UF,10%,50V	51406	RPE111X7R823K50V
A23A3C1022	283-0176-00		CAP,FXD,CER DI:0.0022UF,20%,50V	04222	SR205C222MAA
A23A3C1023	283-0159-00		CAP,FXD,CER DI:18PF,5%,50V	04222	SR155A180JAA
A23A3C2021	283-0159-00		CAP,FXD,CER DI:18PF,5%,50V	04222	SR155A180JAA
A23A3C2023	283-0140-00		CAP,FXD,CER DI:4.7PF,+/-0.25PF,50V	72982	8101E003A479C
A23A3C2024	283-0140-00		CAP,FXD,CER DI:4.7PF,+/-0.25PF,50V	72982	8101E003A479C
A23A3C3011	283-0326-00		CAP,FXD,CER DI:0.082UF,10%,50V	51406	RPE111X7R823K50V
A23A3C3013	283-0176-00		CAP,FXD,CER DI:0.0022UF,20%,50V	04222	SR205C222MAA
A23A3C3014	283-0159-00		CAP,FXD,CER DI:18PF,5%,50V	04222	SR155A180JAA
A23A3C3020	283-0176-00		CAP,FXD,CER DI:0.0022UF,20%,50V	04222	SR205C222MAA
A23A3C3021	283-0176-00		CAP,FXD,CER DI:0.0022UF,20%,50V	04222	SR205C222MAA
A23A3C3022	283-0140-00		CAP,FXD,CER DI:4.7PF,+/-0.25PF,50V	72982	8101E003A479C
A23A3C3023	283-0140-00		CAP,FXD,CER DI:4.7PF,+/-0.25PF,50V	72982	8101E003A479C
A23A3C3024	283-0159-00		CAP,FXD,CER DI:18PF,5%,50V	04222	SR155A180JAA
A23A3C3025	283-0140-00		CAP,FXD,CER DI:4.7PF,+/-0.25PF,50V	72982	8101E003A479C
A23A3CR2021	152-0322-00		SEMICONV DVC,DI:SCHOTTKY,SI,15V,DO-35	50434	5082-2672
A23A3CR3011	152-0322-00		SEMICONV DVC,DI:SCHOTTKY,SI,15V,DO-35	50434	5082-2672
A23A3L2014	108-0643-00		COIL,RF:FIXED,54NH	80009	108-0643-00
A23A3L3011	108-0733-00		COIL,RF:FIXED,117NH	80009	108-0733-00
A23A3L3012	108-0215-00		COIL,RF:FIXED,1.1UH	TK1345	108-0215-00
A23A3L3014	108-0733-00		COIL,RF:FIXED,117NH	80009	108-0733-00
A23A3L3021	108-0733-00		COIL,RF:FIXED,117NH	80009	108-0733-00
A23A3Q3021	151-0630-00		TRANSISTOR:NPN,SI,4 LEAD,CER PKG	S0545	NE02135
A23A3R1021	315-0820-00		RES,FXD,FILM:82 OHM,5%,0.25W	57668	NTR25J-E82E0
A23A3R1022	317-0820-00		RES,FXD,CMPSN:82 OHM,5%,0.125W	01121	BB8205
A23A3R1023	317-0430-00		RES,FXD,CMPSN:43 OHM,5%,0.125W	01121	BB4305
A23A3R2021	317-0301-00		RES,FXD,CMPSN:300 OHM,5%,0.125W	01121	BB3015
A23A3R2022	317-0160-00		RES,FXD,CMPSN:16 OHM,5%,0.125W	01121	BB1605
A23A3R2023	317-0680-00		RES,FXD,CMPSN:68 OHM,5%,0.125W	01121	BB6805

Component No.	Tektronix Part No.	Serial/Assembly No.		Name & Description	Mfr. Code	Mfr. Part No.
		Effective	Discont			
A23A3R2024	317-0430-00			RES, FXD, CMPSN:43 OHM, 5%, 0.125W	01121	BB4305
A23A3R2025	317-0820-00			RES, FXD, CMPSN:82 OHM, 5%, 0.125W	01121	BB8205
A23A3R2026	317-0820-00			RES, FXD, CMPSN:82 OHM, 5%, 0.125W	01121	BB8205
A23A3R2027	317-0680-00			RES, FXD, CMPSN:68 OHM, 5%, 0.125W	01121	BB6805
A23A3R2028	317-0160-00			RES, FXD, CMPSN:16 OHM, 5%, 0.125W	01121	BB1605
A23A3R3010	317-0222-00			RES, FXD, CMPSN:2.2K OHM, 5%, 0.125W	01121	BB2225
A23A3R3011	315-0271-00			RES, FXD, FILM:270 OHM, 5%, 0.25W	57668	NTR25J-E270E
A23A3R3012	317-0101-00			RES, FXD, CMPSN:100 OHM, 5%, 0.125W	01121	BB1015
A23A3R3021	317-0360-00			RES, FXD, CMPSN:36 OHM, 5%, 0.125W	01121	BB3605
A23A3R3022	317-0360-00			RES, FXD, CMPSN:36 OHM, 5%, 0.125W	01121	BB3605
A23A3R3023	317-0301-00			RES, FXD, CMPSN:300 OHM, 5%, 0.125W	01121	BB3015
A23A3R3024	317-0471-00			RES, FXD, CMPSN:470 OHM, 5%, 0.125W	01121	BB4715
A23A3R3025	317-0272-00			RES, FXD, CMPSN:2.7K OHM, 5%, 0.125W	01121	BB2725
A23A3R3027	317-0750-00			RES, FXD, CMPSN:75 OHM, 5%, 0.125W	01121	BB7505
A23A3R3028	317-0510-00			RES, FXD, CMPSN:51 OHM, 5%, 0.125W	01121	BB5105
A23A3R3029	317-0750-00			RES, FXD, CMPSN:75 OHM, 5%, 0.125W	01121	BB7505
A23A4	670-6256-00	B030000	B053798	CIRCUIT BD ASSY:829MHZ DIPLEXER	80009	670-6256-00
A23A4	670-6256-01	B053799	B054651	CIRCUIT BD ASSY:829MHZ DIPLEXER	80009	670-6256-01
A23A4	670-6256-02	B054652	B055961	CIRCUIT BD ASSY:829MHZ DIPLEXER	80009	670-6256-02
A23A4	670-6256-03	B055962		CIRCUIT BD ASSY:829MHZ DIPLEXER	80009	670-6256-03
A23A4C1010	283-0158-00			CAP, FXD, CER DI:1PF, +/-0.1PF, 50V	51642	100-050-NPO-109B
A23A4C1011	283-0158-00			CAP, FXD, CER DI:1PF, +/-0.1PF, 50V	51642	100-050-NPO-109B
A23A4C1012	283-0203-00			CAP, FXD, CER DI:0.47UF, 20%, 50V	04222	SR305SC474MAA
A23A4C1013	283-0158-00			CAP, FXD, CER DI:1PF, +/-0.1PF, 50V	51642	100-050-NPO-109B
A23A4C1014	283-0181-00	B030000	B054651	CAP, FXD, CER DI:1.8PF, +/-0.1%, 100V	51642	100 100NP0189B
A23A4C1014	283-0158-00	B054652		CAP, FXD, CER DI:1PF, +/-0.1PF, 50V	51642	100-050-NPO-109B
A23A4C1015	283-0181-00	B030000	B054651	CAP, FXD, CER DI:1.8PF, +/-0.1%, 100V	51642	100 100NP0189B
A23A4C1015	283-0160-00	B054652		CAP, FXD, CER DI:1.5PF, +/-0.1PF, 50V	51642	100050NP0159B
A23A4C1016	283-0326-00			CAP, FXD, CER DI:0.082UF, 10%, 50V	51406	RPE111X7R823K50V
A23A4C1017	283-0326-00			CAP, FXD, CER DI:0.082UF, 10%, 50V	51406	RPE111X7R823K50V
A23A4C1018	283-0326-00			CAP, FXD, CER DI:0.082UF, 10%, 50V	51406	RPE111X7R823K50V
A23A4C1019	283-0326-00			CAP, FXD, CER DI:0.082UF, 10%, 50V	51406	RPE111X7R823K50V
A23A4C1021	283-0158-00			CAP, FXD, CER DI:1PF, +/-0.1PF, 50V	51642	100-050-NPO-109B
A23A4L1010	108-1043-00			COIL, RF: FXD, 2MH	80009	108-1043-00
A23A4L1011	108-0598-00			COIL, RF: FIXED, 200UH	80009	108-0598-00
A23A4L1012	108-0578-00	B030000	B053798	COIL, RF: FIXED, 19NH	TK1345	108-0578-00
A23A4L1012	108-0642-00	B053799		COIL, RF: FIXED, 30NH	80009	108-0642-00
A23A4L1015	108-0578-00	B030000	B053798	COIL, RF: FIXED, 19NH	TK1345	108-0578-00
A23A4L1015	108-0642-00	B053799		COIL, RF: FIXED, 30NH	80009	108-0642-00
A23A4R1011	317-0101-00			RES, FXD, CMPSN:100 OHM, 5%, 0.125W	01121	BB1015
A23A4R1012	317-0101-00			RES, FXD, CMPSN:100 OHM, 5%, 0.125W	01121	BB1015
A23A4R1013	317-0200-00			RES, FXD, CMPSN:20 OHM, 5%, 0.125W	01121	BB2005
A23A4R1014	317-0101-00			RES, FXD, CMPSN:100 OHM, 5%, 0.125W	01121	BB1015
A23A4R1015	317-0101-00			RES, FXD, CMPSN:100 OHM, 5%, 0.125W	01121	BB1015
A23A5	670-6255-01			CIRCUIT BD ASSY:829MHZ AMPL	80009	670-6255-01
A23A5C1011	283-0326-00			CAP, FXD, CER DI:0.082UF, 10%, 50V	51406	RPE111X7R823K50V
A23A5C1012	283-0326-00			CAP, FXD, CER DI:0.082UF, 10%, 50V	51406	RPE111X7R823K50V
A23A5C1013	283-0326-00			CAP, FXD, CER DI:0.082UF, 10%, 50V	51406	RPE111X7R823K50V
A23A5C1014	283-0197-00			CAP, FXD, CER DI:470PF, 5%, 50V	04222	SR205A471JAA
A23A5C1015	283-0160-00			CAP, FXD, CER DI:1.5PF, +/-0.1PF, 50V	51642	100050NP0159B
A23A5C1016	283-0197-00			CAP, FXD, CER DI:470PF, 5%, 50V	04222	SR205A471JAA
A23A5C1017	283-0160-00			CAP, FXD, CER DI:1.5PF, +/-0.1PF, 50V	51642	100050NP0159B
A23A5C1018	283-0140-00			CAP, FXD, CER DI:4.7PF, +/-0.25PF, 50V	72982	8101E003A479C
A23A5C1021	283-0160-00			CAP, FXD, CER DI:1.5PF, +/-0.1PF, 50V	51642	100050NP0159B
A23A5C1022	283-0160-00			CAP, FXD, CER DI:1.5PF, +/-0.1PF, 50V	51642	100050NP0159B
A23A5C1023	283-0197-00			CAP, FXD, CER DI:470PF, 5%, 50V	04222	SR205A471JAA
A23A5C1024	283-0326-00			CAP, FXD, CER DI:0.082UF, 10%, 50V	51406	RPE111X7R823K50V
A23A5C1025	283-0326-00			CAP, FXD, CER DI:0.082UF, 10%, 50V	51406	RPE111X7R823K50V

Replaceable Electrical Parts
492/492P Service Vol. 2 (B030000 & Up)

Component No.	Tektronix Part No.	Serial/Assembly No. Effective Dscont	Name & Description	Mfr. Code	Mfr. Part No.
A23A5C1026	283-0140-00		CAP,FXD,CER DI:4.7PF,+/-0.25PF,50V	72982	8101E003A479C
A23A5C1027	283-0326-00		CAP,FXD,CER DI:0.082UF,10%,50V	51406	RPE111X7R823K50V
A23A5C1028	283-0326-00		CAP,FXD,CER DI:0.082UF,10%,50V	51406	RPE111X7R823K50V
A23A5C1029	283-0326-00		CAP,FXD,CER DI:0.082UF,10%,50V	51406	RPE111X7R823K50V
A23A5CR1013	152-0141-02		SEMICON DVC,DI:SW,SI,30V,150MA,30V,DO-35	03508	DA2527 (1N4152)
A23A5CR1022	152-0141-02		SEMICON DVC,DI:SW,SI,30V,150MA,30V,DO-35	03508	DA2527 (1N4152)
A23A5J1029	131-1003-00		CONN,RCPT,ELEC:CKT BD MT,3 PRONG	80009	131-1003-00
A23A5L1011	108-0733-00		COIL,RF:FIXED,117NH	80009	108-0733-00
A23A5L1012	108-0733-00		COIL,RF:FIXED,117NH	80009	108-0733-00
A23A5L1014	108-0733-00		COIL,RF:FIXED,117NH	80009	108-0733-00
A23A5L1021	108-0733-00		COIL,RF:FIXED,117NH	80009	108-0733-00
A23A5L1024	108-0733-00		COIL,RF:FIXED,117NH	80009	108-0733-00
A23A5L1025	108-0733-00		COIL,RF:FIXED,117NH	80009	108-0733-00
A23A5L1028	108-0733-00		COIL,RF:FIXED,117NH	80009	108-0733-00
A23A5L1029	108-0733-00		COIL,RF:FIXED,117NH	80009	108-0733-00
A23A5Q1017	151-0630-00		TRANSISTOR:NPN,SI,4 LEAD,CER PKG	S0545	NE02135
A23A5Q1025	151-0630-00		TRANSISTOR:NPN,SI,4 LEAD,CER PKG	S0545	NE02135
A23A5R1011	321-0234-00		RES,FXD,FILM:2.67K OHM,1%,0.125W,TC=TO	19701	5033ED2K67F
A23A5R1012	321-0202-00		RES,FXD,FILM:1.24K OHM,1%,0.125W,TC=TO	24546	NA55D1241F
A23A5R1013	317-0511-00		RES,FXD,CMPSN:510 OHM,5%,0.125W	01121	BB5115
A23A5R1014	317-0511-00		RES,FXD,CMPSN:510 OHM,5%,0.125W	01121	BB5115
A23A5R1015	317-0151-00		RES,FXD,CMPSN:150 OHM,5%,0.125W	01121	BB1515
A23A5R1016	317-0201-00		RES,FXD,CMPSN:200 OHM,5%,0.125W	01121	BB2015
A23A5R1020	317-0201-00		RES,FXD,CMPSN:200 OHM,5%,0.125W	01121	BB2015
A23A5R1021	321-0202-00		RES,FXD,FILM:1.24K OHM,1%,0.125W,TC=TO	24546	NA55D1241F
A23A5R1022	321-0234-00		RES,FXD,FILM:2.67K OHM,1%,0.125W,TC=TO	19701	5033ED2K67F
A23A5R1023	317-0151-00		RES,FXD,CMPSN:150 OHM,5%,0.125W	01121	BB1515
A23A5R1024	317-0331-00		RES,FXD,CMPSN:330 OHM,5%,0.125W	01121	BB3315
A23A5R1025	317-0331-00		RES,FXD,CMPSN:330 OHM,5%,0.125W	01121	BB3315
A23A5R1026	317-0360-00		RES,FXD,CMPSN:36 OHM,5%,0.125W	01121	BB3605
A23A5R1027	317-0360-00		RES,FXD,CMPSN:36 OHM,5%,0.125W	01121	BB3605
A23A5R1028	317-0301-00		RES,FXD,CMPSN:300 OHM,5%,0.125W	01121	BB3015
A23A5R1029	317-0301-00		RES,FXD,CMPSN:300 OHM,5%,0.125W	01121	BB3015
A23A6	670-6015-01		CIRCUIT BD ASSY:110MHZ IF SELECT	80009	670-6015-01
A23A6C1011	283-0197-00		CAP,FXD,CER DI:470PF,5%,50V	04222	SR205A471JAA
A23A6C1012	283-0197-00		CAP,FXD,CER DI:470PF,5%,50V	04222	SR205A471JAA
A23A6C1013	283-0326-00		CAP,FXD,CER DI:0.082UF,10%,50V	51406	RPE111X7R823K50V
A23A6C1014	283-0220-00		CAP,FXD,CER DI:0.01UF,20%,50V	04222	3429 050C 103M
A23A6C1015	283-0220-00		CAP,FXD,CER DI:0.01UF,20%,50V	04222	3429 050C 103M
A23A6C1016	283-0326-00		CAP,FXD,CER DI:0.082UF,10%,50V	51406	RPE111X7R823K50V
A23A6C1017	283-0326-00		CAP,FXD,CER DI:0.082UF,10%,50V	51406	RPE111X7R823K50V
A23A6C1018	283-0326-00		CAP,FXD,CER DI:0.082UF,10%,50V	51406	RPE111X7R823K50V
A23A6C1020	283-0326-00		CAP,FXD,CER DI:0.082UF,10%,50V	51406	RPE111X7R823K50V
A23A6C1021	283-0159-00		CAP,FXD,CER DI:18PF,5%,50V	04222	SR155A180JAA
A23A6C1022	283-0159-00		CAP,FXD,CER DI:18PF,5%,50V	04222	SR155A180JAA
A23A6C1023	283-0159-00		CAP,FXD,CER DI:18PF,5%,50V	04222	SR155A180JAA
A23A6C1024	283-0159-00		CAP,FXD,CER DI:18PF,5%,50V	04222	SR155A180JAA
A23A6C1025	283-0159-00		CAP,FXD,CER DI:18PF,5%,50V	04222	SR155A180JAA
A23A6C1026	283-0159-00		CAP,FXD,CER DI:18PF,5%,50V	04222	SR155A180JAA
A23A6C1027	283-0326-00		CAP,FXD,CER DI:0.082UF,10%,50V	51406	RPE111X7R823K50V
A23A6C1028	283-0326-00		CAP,FXD,CER DI:0.082UF,10%,50V	51406	RPE111X7R823K50V
A23A6C1029	283-0326-00		CAP,FXD,CER DI:0.082UF,10%,50V	51406	RPE111X7R823K50V
A23A6C2011	283-0220-00		CAP,FXD,CER DI:0.01UF,20%,50V	04222	3429 050C 103M
A23A6C2012	283-0159-00		CAP,FXD,CER DI:18PF,5%,50V	04222	SR155A180JAA
A23A6C2014	283-0197-00		CAP,FXD,CER DI:470PF,5%,50V	04222	SR205A471JAA
A23A6C2015	283-0220-00		CAP,FXD,CER DI:0.01UF,20%,50V	04222	3429 050C 103M
A23A6C2016	283-0220-00		CAP,FXD,CER DI:0.01UF,20%,50V	04222	3429 050C 103M
A23A6C2017	283-0154-00		CAP,FXD,CER DI:22PF,5%,50V	04222	SR155A220JAA

Component No.	Tektronix	Serial/Assembly No.		Name & Description	Mfr.	Mfr. Part No.
	Part No.	Effective	Dscont		Code	
A23A6CR1011	152-0141-02			SEMICON DVC,DI:SW,SI,30V,150MA,30V,DO-35	03508	DA2527 (1N4152)
A23A6CR1015	152-0141-02			SEMICON DVC,DI:SW,SI,30V,150MA,30V,DO-35	03508	DA2527 (1N4152)
A23A6CR1021	152-0141-02			SEMICON DVC,DI:SW,SI,30V,150MA,30V,DO-35	03508	DA2527 (1N4152)
A23A6CR1022	152-0141-02			SEMICON DVC,DI:SW,SI,30V,150MA,30V,DO-35	03508	DA2527 (1N4152)
A23A6CR1023	152-0141-02			SEMICON DVC,DI:SW,SI,30V,150MA,30V,DO-35	03508	DA2527 (1N4152)
A23A6CR1024	152-0141-02			SEMICON DVC,DI:SW,SI,30V,150MA,30V,DO-35	03508	DA2527 (1N4152)
A23A6CR1025	152-0141-02			SEMICON DVC,DI:SW,SI,30V,150MA,30V,DO-35	03508	DA2527 (1N4152)
A23A6CR2011	152-0141-02			SEMICON DVC,DI:SW,SI,30V,150MA,30V,DO-35	03508	DA2527 (1N4152)
A23A6CR2012	152-0141-02			SEMICON DVC,DI:SW,SI,30V,150MA,30V,DO-35	03508	DA2527 (1N4152)
A23A6CR2013	152-0141-02			SEMICON DVC,DI:SW,SI,30V,150MA,30V,DO-35	03508	DA2527 (1N4152)
A23A6CR2015	152-0141-02			SEMICON DVC,DI:SW,SI,30V,150MA,30V,DO-35	03508	DA2527 (1N4152)
A23A6E1011	276-0507-00			SHLD BEAD,ELEK:FERRITE	02114	56-590-658/3B
A23A6L1012	108-0420-00			COIL,RF:FIXED,35NH,15%	TK2042	ORDER BY DESC
A23A6L1014	108-0341-00			COIL,RF:FIXED,1.4UH	80009	108-0341-00
A23A6L1015	108-0733-00			COIL,RF:FIXED,117NH	80009	108-0733-00
A23A6L1018	108-0733-00			COIL,RF:FIXED,117NH	80009	108-0733-00
A23A6L1019	108-0733-00			COIL,RF:FIXED,117NH	80009	108-0733-00
A23A6L1021	108-0606-00			COIL,RF:FIXED,31NH	80009	108-0606-00
A23A6L1023	108-0550-00			COIL,RF:FIXED,89NH	80009	108-0550-00
A23A6L1024	108-0550-00			COIL,RF:FIXED,89NH	80009	108-0550-00
A23A6L1025	108-0606-00			COIL,RF:FIXED,31NH	80009	108-0606-00
A23A6L1026	108-0733-00			COIL,RF:FIXED,117NH	80009	108-0733-00
A23A6L1027	108-0733-00			COIL,RF:FIXED,117NH	80009	108-0733-00
A23A6L1028	108-0733-00			COIL,RF:FIXED,117NH	80009	108-0733-00
A23A6L1029	108-0733-00			COIL,RF:FIXED,117NH	80009	108-0733-00
A23A6L2011	108-0733-00			COIL,RF:FIXED,117NH	80009	108-0733-00
A23A6L2012	108-0683-00			COIL,RF:FIXED,900NH	80009	108-0683-00
A23A6L2013	108-0733-00			COIL,RF:FIXED,117NH	80009	108-0733-00
A23A6L2014	108-0311-00			COIL,RF:FIXED,150NH	TK1345	108-0311-00
A23A6L2015	108-0341-00			COIL,RF:FIXED,1.4UH	80009	108-0341-00
A23A6Q1011	151-0630-00			TRANSISTOR:NPN,SI,4 LEAD,CER PKG	S0545	NE02135
A23A6Q1012	151-0301-00			TRANSISTOR:PMP,SI,TO-18	04713	ST898
A23A6Q1015	151-0650-00			TRANSISTOR:NPN,SI,TO-39	S0545	2SC1252
A23A6Q2015	151-0301-00			TRANSISTOR:PMP,SI,TO-18	04713	ST898
A23A6Q2021	151-0301-00			TRANSISTOR:PMP,SI,TO-18	04713	ST898
A23A6Q2022	151-0301-00			TRANSISTOR:PMP,SI,TO-18	04713	ST898
A23A6R1010	317-0472-00			RES,FXD,CMPSN:4.7K OHM,5%,0.125W	01121	BB4725
A23A6R1011	317-0056-00			RES,FXD,CMPSN:5.6 OHM,5%,0.125W	01121	BB5665
A23A6R1012	317-0911-00			RES,FXD,CMPSN:910 OHM,5%,0.125W	01121	BB9115
A23A6R1013	317-0910-00			RES,FXD,CMPSN:91 OHM,5%,0.125W	01121	BB9105
A23A6R1014	317-0822-00			RES,FXD,CMPSN:8.2K OHM,5%,0.125W	01121	BB8225
A23A6R1015	317-0153-00			RES,FXD,CMPSN:15K OHM,5%,0.125W	01121	BB1535
A23A6R1016	317-0752-00			RES,FXD,CMPSN:7.5K OHM,5%,0.125W	01121	BB7525
A23A6R1017	317-0201-00			RES,FXD,CMPSN:200 OHM,5%,0.125W	01121	BB2015
A23A6R1018	317-0331-00			RES,FXD,CMPSN:330 OHM,5%,0.125W	01121	BB3315
A23A6R1019	317-0203-00			RES,FXD,CMPSN:20K OHM,5%,0.125W	01121	BB2035
A23A6R2012	315-0101-00			RES,FXD,FILM:100 OHM,5%,0.25W	57668	NTR25J-E 100E
A23A6R2013	315-0101-00			RES,FXD,FILM:100 OHM,5%,0.25W	57668	NTR25J-E 100E
A23A6R2014	317-0391-00			RES,FXD,CMPSN:390 OHM,5%,0.125W	01121	BB3915
A23A6R2015	317-0181-00			RES,FXD,CMPSN:180 OHM,5%,0.125W	01121	BB1815
A23A6R2021	317-0203-00			RES,FXD,CMPSN:20K OHM,5%,0.125W	01121	BB2035
A23A6R2022	317-0752-00			RES,FXD,CMPSN:7.5K OHM,5%,0.125W	01121	BB7525
A23A6R2023	317-0752-00			RES,FXD,CMPSN:7.5K OHM,5%,0.125W	01121	BB7525
A23A6R2024	317-0103-00			RES,FXD,CMPSN:10K OHM,5%,0.125W	01121	BB1035
A23A6R2025	317-0752-00			RES,FXD,CMPSN:7.5K OHM,5%,0.125W	01121	BB7525
A23A6R2026	317-0202-00			RES,FXD,CMPSN:2K OHM,5%,0.125W	01121	BB2025
A23A6T1011	120-1235-00			TRANSFORMER,RF:BALUN	80009	120-1235-00
A23A7	670-6224-00			CIRCUIT BD ASSY:829MHZ,SECOND CONVERTER	80009	670-6224-00

Replaceable Electrical Parts
492/492P Service Vol. 2 (B030000 & Up)

Component No.	Tektronix Part No.	Serial/Assembly No.		Name & Description	Mfr. Code	Mfr. Part No.
		Effective	Dscont			
A23A7C1011	283-0140-00			CAP, FXD, CER DI: 4.7PF, +/-0.25PF, 50V	72982	8101E003A479C
A23A7C1012	283-0140-00			CAP, FXD, CER DI: 4.7PF, +/-0.25PF, 50V	72982	8101E003A479C
A23A7C1013	283-0069-00			CAP, FXD, CER DI: 15PF, 20%, 50V	04222	MA101A150KAA
A23A7C1014	283-0069-00			CAP, FXD, CER DI: 15PF, 20%, 50V	04222	MA101A150KAA
A23A7CR1011	152-0322-00			SEMICON DVC, DI: SCHOTTKY, SI, 15V, DO-35	50434	5082-2672
A23A7CR1012	152-0322-00			SEMICON DVC, DI: SCHOTTKY, SI, 15V, DO-35	50434	5082-2672
A23A7L1011	108-0606-00			COIL, RF: FIXED, 31NH	80009	108-0606-00
A23A7L1012	108-0606-00			COIL, RF: FIXED, 31NH	80009	108-0606-00
A23A7L1013	108-0606-00			COIL, RF: FIXED, 31NH	80009	108-0606-00
A23A7L1014	108-0606-00			COIL, RF: FIXED, 31NH	80009	108-0606-00
A23A7R1012	317-0301-00			RES, FXD, CMPSN: 300 OHM, 5%, 0.125W	01121	BB3015
A23A7R1013	317-0360-00			RES, FXD, CMPSN: 36 OHM, 5%, 0.125W	01121	BB3605
A23A7R1014	317-0360-00			RES, FXD, CMPSN: 36 OHM, 5%, 0.125W	01121	BB3605
A23A7R1015	317-0301-00			RES, FXD, CMPSN: 300 OHM, 5%, 0.125W	01121	BB3015
A23A7T1011	120-1251-00			TRANSFORMER, RF: BALUN	80009	120-1251-00
A24	119-1010-00	B030000	B054413	HYBRID CKT ASSY: PHASE GATE DETECTOR (OPTION 03 ONLY)	80009	119-1010-00
A24	119-1010-02	B054414		HYBRID CKT ASSY: PHASE GATE DETECTOR (OPTION 03 ONLY)	80009	119-1010-02
A24A1	670-5957-00	B030000	B054413	CIRCUIT BD ASSY: PHASE GATE INPUT (OPTION 03 ONLY)	80009	670-5957-00
A24A1	670-5957-01	B054414		CIRCUIT BD ASSY: PHASE GATE INPUT (OPTION 03 ONLY)	80009	670-5957-01
A24A1C243	290-0309-00	B030000	B054413	CAP, FXD, ELCTLT: 100UF, 20%, 25V	26769	40LW107B025 MIA
A24A1C243	290-0747-00	B054414		CAP, FXD, ELCTLT: 100UF, +50-20%, 25WDC	54473	ECE-B25V100L
A24A1C244	290-0309-00	B030000	B054413	CAP, FXD, ELCTLT: 100UF, 20%, 25V	26769	40LW107B025 MIA
A24A1C244	290-0747-00	B054414		CAP, FXD, ELCTLT: 100UF, +50-20%, 25WDC	54473	ECE-B25V100L
A24A1CR243	152-0664-00	B030000	B054413	SEMICON DVC, DI: SCHOTTKY, SW, SI, 70V, DO-35	80009	152-0664-00
A24A1CR244	152-0664-00	B030000	B054413	SEMICON DVC, DI: SCHOTTKY, SW, SI, 70V, DO-35	80009	152-0664-00
A24A1R243	315-0200-00	B030000		RES, FXD, FILM: 20 OHM, 5%, 0.25W	19701	5043CX20R00J
A24A1R244	315-0200-00	B030000		RES, FXD, FILM: 20 OHM, 5%, 0.25W	19701	5043CX20R00J
A28	670-5561-01			CIRCUIT BD ASSY: MAIN MOTHER	80009	670-5561-01
A28W1038	198-4398-00			WIRE SET, ELEC:	80009	198-4398-00
A30	621-0488-00	B030000	B049999	POWER SPLY ASSY: HIGH VOLTAGE (492 ONLY)	80009	621-0488-00
A30	621-0488-01	B050000	B055843	POWER SPLY ASSY: HIGH VOLTAGE (492 ONLY)	80009	621-0488-01
A30	621-0488-03	B055844		POWER SPLY ASSY: (492 ONLY)	80009	621-0488-03
A30	621-0483-00	B030000	B049999	POWER SPLY ASSY: HIGH VOLTAGE (492 OPTION 30, 31, 32 ONLY)	80009	621-0483-00
A30	621-0483-01	B050000	B055034	POWER SPLY ASSY: HIGH VOLTAGE (492 OPTION 30, 31, 32 ONLY)	80009	621-0483-01
A30	621-0483-03	B055035	B055875	POWER SPLY ASSY: HIGH VOLTAGE (OPTION 30, 31, 32 ONLY)	80009	621-0483-03
A30	621-0483-05	B055876	B055987	POWER SUPPLY: 492 OPT 30/31/32 (OPTION 30, 31, 32 ONLY)	80009	621-0483-05
A30	621-0483-06	B055988		POWER SUPPLY: (OPTION 30, 31, 32 ONLY)	80009	621-0483-06
A30	621-0010-00	B030000	B055801	POWER SPLY ASSY: HIGH VOLTAGE (492 OPTION 42 ONLY)	80009	621-0010-00
A30	621-0010-01	B055802		POWER SPLY ASSY: HIGH VOLTAGE (492 OPTION 42 ONLY)	80009	621-0010-01
A30	621-0481-01	B030000	B049999	POWER SPLY ASSY: HIGH VOLTAGE (492P ONLY)	80009	621-0481-01
A30	621-0481-02	B050000	B055855	POWER SPLY ASSY: HIGH VOLTAGE (492P ONLY)	80009	621-0481-02
A30	621-0481-04	B055856		POWER SPLY ASSY: HIGH VOLTAGE (492P ONLY)	80009	621-0481-04
A30	621-0485-00	B030000	B049999	POWER SPLY ASSY: HIGH VOLTAGE (492P OPTION 30, 31, 32 ONLY)	80009	621-0485-00
A30	621-0485-01	B050000	B055034	POWER SPLY ASSY: HIGH VOLTAGE (492P OPTION 30, 31, 32 ONLY)	80009	621-0485-01

Replaceable Electrical Parts
492/492P Service Vol. 2 (B030000 & Up)

Component No.	Tektronix Part No.	Serial/Assembly No. Effective	Discont	Name & Description	Mfr. Code	Mfr. Part No.
A30	621-0485-03	B055035	B055845	POWER SPLY ASSY:HIGH VOLTAGE (492P OPTION 30,31,32 ONLY)	80009	621-0485-03
A30	621-0485-05	B055846		POWER SPLY ASSY:HIGH VOLTAGE (492P OPTION 30,31,32 ONLY)	80009	621-0485-05
A30	621-0009-00	B030000	B055839	POWER SPLY ASSY:HIGH VOLTAGE (492P OPTION 42 ONLY)	80009	621-0009-00
A30	621-0009-01	B055840		POWER SPLY ASSY:HIGH VOLTAGE (492P OPTION 42 ONLY)	80009	621-0009-01
A30	621-0012-00	B030000	B055034	POWER SPLY ASSY:HIGH VOLTAGE (492 OPTION 30,31,32,42 ONLY)	80009	621-0012-00
A30	621-0012-01	B055035		POWER SPLY ASSY:HIGH VOLTAGE (492 OPTION 30,31,32,42 ONLY)	80009	621-0012-01
A30	621-0013-00	B030000	B055034	POWER SPLY ASSY:HIGH VOLTAGE (492P OPTION 30,31,32,42 ONLY)	80009	621-0013-00
A30	621-0013-01	B055035		POWER SPLY ASSY:HIGH VOLTAGE (492P OPTION 30,31,32,42 ONLY)	80009	621-0013-01
A30B100	119-0830-01			FAN,TUBEAXIAL:12VDC,2.4W,5250 RPM,31 CFM	TK0146	MODEL 69.11.53
A30B200	119-1364-01	B030000	B055034	FAN,VENTILATING:9.5-14VDC,7.2W,3200 RPM (OPTION 30,31,32,42 ONLY)	80009	119-1364-01
A30B200	119-1719-01	B055035		FAN,TUBEAXIAL:12VDC,4.3W,2750 RPM (OPTION 30,31,32,42 ONLY)	TK1409	ORDER BY DESCR
A30C200	290-0845-00	B055035		CAP,FXD,ELCTLT:330UF,+50-10%,25V	54473	ECE-A25V330L
A30CR1	152-0141-02			SEMICOND DVC,DI:SW,SI,30V,150MA,30V,DO-35 (OPTION 42 ONLY)	03508	DA2527 (1N4152)
A30F301	159-0017-00			FUSE,CARTRIDGE:3AG,4A,250V,FAST BLOW	71400	MTH-CW-4
A30FL301	119-1306-00			FILTER,RFI:6A,250V,50-400HZ	56289	6JX5431A
A30FL302	119-1390-00			FILTER,RFI:POT CORE SET	80009	119-1390-00
A30R1	315-0471-00			RES,FXD,FILM:470 OHM,5%,0.25W (OPTION 42 ONLY)	57668	NTR25J-E470E
A30S300	260-1931-00			SWITCH,SENS:SPST NO,10(4)A,250V	TK0935	1005.0925
A30S301	260-1931-00			SWITCH,SENS:SPST NO,10(4)A,250V (OPTION 30,31,32 ONLY)	TK0935	1005.0925
A30U307	119-1168-00			CAPACITOR-RES:0.1UF,20% & 22 OHM,10%,250VAC	14752	RG1782-1
A30W192	175-9621-00			CABLE ASSY,RF:50 OHM COAX,23.5 L (OPTION 42 ONLY)	80009	175-9621-00
A30W300	198-3944-01			WIRE SET,ELEC	TK1375	198-3944-01
A30W560	175-3405-00			CA ASSY,SP,ELEC:28,26 AWG,18.0 L (492P ONLY)	91506	9P28-3S18-2
A30W620	175-3619-01			CABLE ASSY,RF:50 OHM COAX,16.0 L,SEMI-RGD	80009	175-3619-01
A30W1021	175-2479-00			CABLE ASSY,RF:50 OHM COAX,5.5 L,9-5 (492P ONLY)	80009	175-2479-00
A30W1021	175-9618-00			CABLE ASSY,RF:50 OHM COAX,11.0 L,9-5 (492/P OPTION 42 ONLY)	80009	175-9618-00
A30A1	670-5564-01	B030000	B041454	CIRCUIT BD ASSY:MAIN POWER SUPPLY	80009	670-5564-01
A30A1	670-5564-02	B041455	B055801	CIRCUIT BD ASSY:MAIN POWER SUPPLY	80009	670-5564-02
A30A1	670-5564-04	B055802		CIRCUIT BD ASSY:MAIN POWER SUPPLY	80009	670-5564-04
A30A1C1055	290-0758-00			CAP,FXD,ELCTLT:2.2UF,+50-10%,200V	56289	502D227
A30A1C1063	285-1089-00			CAP,FXD,PLASTIC:0.04UF,5%,900V	50558	PAG-0787J
A30A1C1095	285-1196-00			CAP,FXD,PPR DI:0.01UF,20%,250V	TK0515	PME 265 MB 510
A30A1C2024	283-0330-00			CAP,FXD,CER DI:100PF,5%,50V	05397	C320C101J5R5CA
A30A1C2030	283-0238-00			CAP,FXD,CER DI:0.01UF,10%,50V	04222	SR205C103KAA
A30A1C2032	283-0330-00			CAP,FXD,CER DI:100PF,5%,50V	05397	C320C101J5R5CA
A30A1C2033	283-0177-00			CAP,FXD,CER DI:1UF,+80-20%,25V	04222	SR302E105ZAATR
A30A1C2034	283-0330-00			CAP,FXD,CER DI:100PF,5%,50V	05397	C320C101J5R5CA
A30A1C2035	283-0156-00			CAP,FXD,CER DI:0.001 UF,+80-20%,200V	05397	C315C102Z2R5CA
A30A1C2041	290-0758-00			CAP,FXD,ELCTLT:2.2UF,+50-10%,200V	56289	502D227
A30A1C2043	290-0800-00			CAP,FXD,ELCTLT:250UF,+100-10%,20V	56289	672D257H020DM5C
A30A1C2045	290-0758-00			CAP,FXD,ELCTLT:2.2UF,+50-10%,200V	56289	502D227
A30A1C2053	290-0758-00			CAP,FXD,ELCTLT:2.2UF,+50-10%,200V	56289	502D227
A30A1C2057	290-0758-00			CAP,FXD,ELCTLT:2.2UF,+50-10%,200V	56289	502D227
A30A1C2096	285-1196-00			CAP,FXD,PPR DI:0.01UF,20%,250V	TK0515	PME 265 MB 510

Replaceable Electrical Parts
492/492P Service Vol. 2 (B030000 & Up)

Component No.	Tektronix	Serial/Assembly No.		Name & Description	Mfr.	Mfr. Part No.
	Part No.	Effective	Dscont		Code	
A30A1C3031	283-0330-00			CAP,FXD,CER DI:100PF,5%,50V	05397	C320C101J5R5CA
A30A1C3033	283-0177-00			CAP,FXD,CER DI:1UF,+80-20%,25V	04222	SR302E105ZAATR
A30A1C3034	283-0330-00			CAP,FXD,CER DI:100PF,5%,50V	05397	C320C101J5R5CA
A30A1C3035	283-0330-00			CAP,FXD,CER DI:100PF,5%,50V	05397	C320C101J5R5CA
A30A1C3036	283-0177-00			CAP,FXD,CER DI:1UF,+80-20%,25V	04222	SR302E105ZAATR
A30A1C3037	283-0177-00			CAP,FXD,CER DI:1UF,+80-20%,25V	04222	SR302E105ZAATR
A30A1C3041	290-0770-00			CAP,FXD,ELCTLT:100UF,+50-20%,25VDC	54473	ECE-A25V100L
A30A1C3051	290-0771-00			CAP,FXD,ELCTLT:220UF,+50-10%,10VDC	55680	ULA1A221TPA2
A30A1C3057	290-0852-00			CAP,FXD,ELCTLT:1UF,+75-10%,350V	TK1424	ECE04W2V010A
A30A1C3064	285-1196-00			CAP,FXD,PPR DI:0.01UF,20%,250V	TK0515	PME 265 MB 510
A30A1C3071	285-0981-00			CAP,FXD,PLASTIC:2UF,10%,400V	04099	TEK-3
A30A1C3074	285-1040-00			CAP,FXD,PLASTIC:1200PF,10%,4000V	04099	TEK-17A
A30A1C3085	285-1196-00			CAP,FXD,PPR DI:0.01UF,20%,250V	TK0515	PME 265 MB 510
A30A1C3089	285-1196-00			CAP,FXD,PPR DI:0.01UF,20%,250V	TK0515	PME 265 MB 510
A30A1C4012	290-0745-00			CAP,FXD,ELCTLT:22UF,+50-20%,25WVDC	54473	ECE-A25V22L
A30A1C4014	283-0111-00			CAP,FXD,CER DI:0.1UF,20%,50V	05397	C330C104M5U1CA
A30A1C4015	283-0211-00			CAP,FXD,CER DI:0.1UF,10%,200V	04222	SR406C104KAA
A30A1C4016	283-0111-00			CAP,FXD,CER DI:0.1UF,20%,50V	05397	C330C104M5U1CA
A30A1C4022	290-0745-00			CAP,FXD,ELCTLT:22UF,+50-20%,25WVDC	54473	ECE-A25V22L
A30A1C4023	290-0942-00			CAP,FXD,ELCTLT:100UF,+100-10%,25V	55680	UPA1E101MAH
A30A1C4024	283-0111-00			CAP,FXD,CER DI:0.1UF,20%,50V	05397	C330C104M5U1CA
A30A1C4032	283-0111-00			CAP,FXD,CER DI:0.1UF,20%,50V	05397	C330C104M5U1CA
A30A1C4033	290-0770-00			CAP,FXD,ELCTLT:100UF,+50-20%,25VDC	54473	ECE-A25V100L
A30A1C4035	290-0745-00			CAP,FXD,ELCTLT:22UF,+50-20%,25WVDC	54473	ECE-A25V22L
A30A1C4036	283-0111-00			CAP,FXD,CER DI:0.1UF,20%,50V	05397	C330C104M5U1CA
A30A1C4044	290-0800-00			CAP,FXD,ELCTLT:250UF,+100-10%,20V	56289	672D257H020DM5C
A30A1C4046	290-0800-00			CAP,FXD,ELCTLT:250UF,+100-10%,20V	56289	672D257H020DM5C
A30A1C4051	290-0800-00			CAP,FXD,ELCTLT:250UF,+100-10%,20V	56289	672D257H020DM5C
A30A1C4055	290-0800-00			CAP,FXD,ELCTLT:250UF,+100-10%,20V	56289	672D257H020DM5C
A30A1C4082	283-0263-00			CAP,FXD,CER DI:2200PF,20%,3000V	59660	828556Y5R0222M
A30A1C5010	283-0008-00			CAP,FXD,CER DI:0.1UF,20%,500V	51642	500-500-X7R-104M
A30A1C5012	290-0758-00			CAP,FXD,ELCTLT:2.2UF,+50-10%,200V	56289	502D227
A30A1C5017	283-0177-00			CAP,FXD,CER DI:1UF,+80-20%,25V	04222	SR302E105ZAATR
A30A1C5018	290-0800-00			CAP,FXD,ELCTLT:250UF,+100-10%,20V	56289	672D257H020DM5C
A30A1C5021	283-0111-00			CAP,FXD,CER DI:0.1UF,20%,50V	05397	C330C104M5U1CA
A30A1C5022	290-0745-00			CAP,FXD,ELCTLT:22UF,+50-20%,25WVDC	54473	ECE-A25V22L
A30A1C5038	285-0699-00			CAP,FXD,PLASTIC:0.0047UF,10%,100V	56289	192P47292R440
A30A1C5051	290-0800-00			CAP,FXD,ELCTLT:250UF,+100-10%,20V	56289	672D257H020DM5C
A30A1C5054	290-0800-00			CAP,FXD,ELCTLT:250UF,+100-10%,20V	56289	672D257H020DM5C
A30A1C5071	283-0111-00			CAP,FXD,CER DI:0.1UF,20%,50V	05397	C330C104M5U1CA
A30A1C5072	290-0804-00			CAP,FXD,ELCTLT:10UF,+50-10%,25V	55680	ULB1E100TAANA
A30A1C5082	283-0263-00			CAP,FXD,CER DI:2200PF,20%,3000V	59660	828556Y5R0222M
A30A1C5084	290-0114-00			CAP,FXD,ELCTLT:47UF,20%,6V	05397	T110B476M006AS
A30A1C5085	290-0114-00			CAP,FXD,ELCTLT:47UF,20%,6V	05397	T110B476M006AS
A30A1C5113	283-0211-00			CAP,FXD,CER DI:0.1UF,10%,200V	04222	SR406C104KAA
A30A1C6010	283-0111-00			CAP,FXD,CER DI:0.1UF,20%,50V	05397	C330C104M5U1CA
A30A1C6019	283-0177-00			CAP,FXD,CER DI:1UF,+80-20%,25V	04222	SR302E105ZAATR
A30A1C6025	290-0523-00			CAP,FXD,ELCTLT:2.2UF,20%,20V	05397	T368A225M020AS
A30A1C6039	283-0204-00			CAP,FXD,CER DI:0.01UF,20%,50V	04222	SR155E103MAA
A30A1C6048	283-0203-00			CAP,FXD,CER DI:0.47UF,20%,50V	04222	SR3055C474MAA
A30A1C6053	283-0203-00			CAP,FXD,CER DI:0.47UF,20%,50V	04222	SR3055C474MAA
A30A1C6055	283-0620-00			CAP,FXD,MICA DI:470PF,1%,300V	00853	D155F471F0
A30A1C6058	283-0620-00			CAP,FXD,MICA DI:470PF,1%,300V	00853	D155F471F0
A30A1C6059	283-0111-00			CAP,FXD,CER DI:0.1UF,20%,50V	05397	C330C104M5U1CA
A30A1C6062	283-0203-00			CAP,FXD,CER DI:0.47UF,20%,50V	04222	SR3055C474MAA
A30A1C6068	283-0111-00			CAP,FXD,CER DI:0.1UF,20%,50V	05397	C330C104M5U1CA
A30A1C6069	283-0204-00			CAP,FXD,CER DI:0.01UF,20%,50V	04222	SR155E103MAA
A30A1C6071	283-0067-00			CAP,FXD,CER DI:0.001UF,10%,200V	59660	835-515-YSE0102K

Replaceable Electrical Parts
492/492P Service Vol. 2 (B030000 & Up)

Component No.	Tektronix Part No.	Serial/Assembly No. Effective Dscont	Name & Description	Mfr. Code	Mfr. Part No.
A30A1C6072	283-0067-00		CAP, FXD, CER DI:0.001UF, 10%, 200V	59660	835-515-YSE0102K
A30A1C6101	290-0829-00		CAP, FXD, ELCTLT:750UF, +100-10%, 200V	90201	PPF751SR2J3P2
A30A1C6111	290-0829-00		CAP, FXD, ELCTLT:750UF, +100-10%, 200V	90201	PPF751SR2J3P2
A30A1CR1022	152-0400-00		SEMICON DVC, DI:RECT, SI, 400V, 1A	04713	SR1977K
A30A1CR1034	152-0400-00		SEMICON DVC, DI:RECT, SI, 400V, 1A	04713	SR1977K
A30A1CR1042	152-0400-00		SEMICON DVC, DI:RECT, SI, 400V, 1A	04713	SR1977K
A30A1CR2027	152-0141-02		SEMICON DVC, DI:SW, SI, 30V, 150MA, 30V, DO-35	03508	DA2527 (1N4152)
A30A1CR2028	152-0141-02		SEMICON DVC, DI:SW, SI, 30V, 150MA, 30V, DO-35	03508	DA2527 (1N4152)
A30A1CR2035	152-0141-02		SEMICON DVC, DI:SW, SI, 30V, 150MA, 30V, DO-35	03508	DA2527 (1N4152)
A30A1CR2061	152-0661-00		SEMICON DVC, DI:RECT, SI, 600V, 3A	04713	SR3523
A30A1CR2063	152-0661-00		SEMICON DVC, DI:RECT, SI, 600V, 3A	04713	SR3523
A30A1CR2065	152-0661-00		SEMICON DVC, DI:RECT, SI, 600V, 3A	04713	SR3523
A30A1CR2079	152-0661-00		SEMICON DVC, DI:RECT, SI, 600V, 3A	04713	SR3523
A30A1CR3027	152-0141-02		SEMICON DVC, DI:SW, SI, 30V, 150MA, 30V, DO-35	03508	DA2527 (1N4152)
A30A1CR3028	152-0141-02		SEMICON DVC, DI:SW, SI, 30V, 150MA, 30V, DO-35	03508	DA2527 (1N4152)
A30A1CR3035	152-0141-02		SEMICON DVC, DI:SW, SI, 30V, 150MA, 30V, DO-35	03508	DA2527 (1N4152)
A30A1CR3052	152-0400-00		SEMICON DVC, DI:RECT, SI, 400V, 1A	04713	SR1977K
A30A1CR3053	152-0400-00		SEMICON DVC, DI:RECT, SI, 400V, 1A	04713	SR1977K
A30A1CR3054	152-0400-00		SEMICON DVC, DI:RECT, SI, 400V, 1A	04713	SR1977K
A30A1CR3055	152-0400-00		SEMICON DVC, DI:RECT, SI, 400V, 1A	04713	SR1977K
A30A1CR3056	152-0400-00		SEMICON DVC, DI:RECT, SI, 400V, 1A	04713	SR1977K
A30A1CR3096	152-0661-00		SEMICON DVC, DI:RECT, SI, 600V, 3A	04713	SR3523
A30A1CR3098	152-0661-00		SEMICON DVC, DI:RECT, SI, 600V, 3A	04713	SR3523
A30A1CR4021	152-0066-00		SEMICON DVC, DI:RECT, SI, 400V, 1A, DO-41	05828	GP10G-020
A30A1CR4034	152-0066-00		SEMICON DVC, DI:RECT, SI, 400V, 1A, DO-41	05828	GP10G-020
A30A1CR4037	152-0066-00		SEMICON DVC, DI:RECT, SI, 400V, 1A, DO-41	05828	GP10G-020
A30A1CR4053	152-0640-00		SEMICON DVC, DI:RECT, SI, 35V, 30A, DO-4	01281	SD-4101
A30A1CR4057	152-0640-00		SEMICON DVC, DI:RECT, SI, 35V, 30A, DO-4	01281	SD-4101
A30A1CR4061	152-0720-00		SEMICON DVC, DI:RECT, SI, 100V, 7A, TO-220, FAST RCVY	25403	BYW29-100
A30A1CR4062	152-0720-00		SEMICON DVC, DI:RECT, SI, 100V, 7A, TO-220, FAST RCVY	25403	BYW29-100
A30A1CR4063	152-0720-00		SEMICON DVC, DI:RECT, SI, 100V, 7A, TO-220, FAST RCVY	25403	BYW29-100
A30A1CR4065	152-0720-00		SEMICON DVC, DI:RECT, SI, 100V, 7A, TO-220, FAST RCVY	25403	BYW29-100
A30A1CR4094	152-0661-00		SEMICON DVC, DI:RECT, SI, 600V, 3A	04713	SR3523
A30A1CR4095	152-0661-00		SEMICON DVC, DI:RECT, SI, 600V, 3A	04713	SR3523
A30A1CR5031	152-0141-02		SEMICON DVC, DI:SW, SI, 30V, 150MA, 30V, DO-35	03508	DA2527 (1N4152)
A30A1CR5052	152-0721-00		SEMICON DVC, DI:RECT, SI, 100V, 12A, DO-4	12969	UTG5206
A30A1CR5055	152-0742-00		SEMICON DVC, DI:RECT, SI, 12A, 100V, DO-4	28480	5082-0008
A30A1CR5062	152-0721-00		SEMICON DVC, DI:RECT, SI, 100V, 12A, DO-4	12969	UTG5206
A30A1CR5065	152-0742-00		SEMICON DVC, DI:RECT, SI, 12A, 100V, DO-4	28480	5082-0008
A30A1CR6014	152-0141-02		SEMICON DVC, DI:SW, SI, 30V, 150MA, 30V, DO-35	03508	DA2527 (1N4152)
A30A1CR6015	152-0141-02		SEMICON DVC, DI:SW, SI, 30V, 150MA, 30V, DO-35	03508	DA2527 (1N4152)
A30A1CR6016	152-0066-00		SEMICON DVC, DI:RECT, SI, 400V, 1A, DO-41	05828	GP10G-020
A30A1CR6018	152-0141-02		SEMICON DVC, DI:SW, SI, 30V, 150MA, 30V, DO-35	03508	DA2527 (1N4152)
A30A1CR6047	152-0141-02		SEMICON DVC, DI:SW, SI, 30V, 150MA, 30V, DO-35	03508	DA2527 (1N4152)
A30A1CR6049	152-0141-02		SEMICON DVC, DI:SW, SI, 30V, 150MA, 30V, DO-35	03508	DA2527 (1N4152)
A30A1CR6052	152-0141-02		SEMICON DVC, DI:SW, SI, 30V, 150MA, 30V, DO-35	03508	DA2527 (1N4152)
A30A1CR6053	152-0141-02		SEMICON DVC, DI:SW, SI, 30V, 150MA, 30V, DO-35	03508	DA2527 (1N4152)
A30A1CR6055	152-0141-02		SEMICON DVC, DI:SW, SI, 30V, 150MA, 30V, DO-35	03508	DA2527 (1N4152)
A30A1CR6061	152-0141-02		SEMICON DVC, DI:SW, SI, 30V, 150MA, 30V, DO-35	03508	DA2527 (1N4152)
A30A1CR6071	152-0400-00		SEMICON DVC, DI:RECT, SI, 400V, 1A	04713	SR1977K
A30A1CR6072	152-0141-02		SEMICON DVC, DI:SW, SI, 30V, 150MA, 30V, DO-35	03508	DA2527 (1N4152)
A30A1CR6073	152-0400-00		SEMICON DVC, DI:RECT, SI, 400V, 1A	04713	SR1977K
A30A1CR6074	152-0141-02		SEMICON DVC, DI:SW, SI, 30V, 150MA, 30V, DO-35	03508	DA2527 (1N4152)
A30A1DS5112	150-0035-00		LAMP, GLOW:90V MAX, 0.3MA, AID-T, WIRE LD	TK0213	JH005/3011JA

Replaceable Electrical Parts
492/492P Service Vol. 2 (B030000 & Up)

Component No.	Tektronix Part No.	Serial/Assembly No. Effective	Dscont	Name & Description	Mfr. Code	Mfr. Part No.
A30A1E1094	119-0181-00			ARSR,ELEC SURGE:230,GAS FILLED	25088	B1-A230
A30A1E1095	119-0181-00			ARSR,ELEC SURGE:230,GAS FILLED	25088	B1-A230
A30A1F1013	159-0025-00			FUSE,CARTRIDGE:3AG,0.5A,250V,0.25SEC	71400	AGC-CW-1/2
A30A1F1017	159-0021-00			FUSE,CARTRIDGE:3AG,2A,250V,FAST BLOW	71400	AGC-CW-2
A30A1F1033	159-0062-00	B030000	B041454	FUSE,CARTRIDGE:8AG,0.062A,250V,0.005SEC	71400	AGX1/16
A30A1F1033	159-0213-00	B041455		FUSE,CARTRIDGE:0.062A,250V,FAST BLOW	71400	1/16A
A30A1F1035	159-0052-00			FUSE,CARTRIDGE:3AG,0.125A,250V,0.1SEC	03614	AGC-CW-1/8
A30A1F2013	159-0016-00			FUSE,CARTRIDGE:3AG,1.5,250V,FAST BLOW	71400	AGC-CW-1 1/2
A30A1F3038	159-0116-00	B030000	B042145	FUSE,CARTRIDGE:1A,125V,0.4SEC	TK0946	SM1-1A
A30A1F3038	159-0128-00	B042146		FUSE,WIRE LEAD:2A,125V,5 SEC AXIAL LEADS	75915	273002
A30A1J1091	131-2250-00			CONN,RCPT,ELEC:HEADER,1 X 5 0.156 CTR	27264	09-61-1053
A30A1L1051	108-0960-00			COIL,RF:FIXED,3.9MH	80009	108-0960-00
A30A1L1081	108-1052-00			COIL,RF:FIXED,580UH	80009	108-1052-00
A30A1L2048	108-0959-00			COIL,RF:FIXED,150UH	TK1345	108-0959-00
A30A1L3012	108-0795-00			COIL,RF:FIXED,2MH	TK1345	108-0795-00
A30A1L3042	108-0958-00			COIL,RF:FIXED,50UH	80009	108-0958-00
A30A1L3043	108-0959-00			COIL,RF:FIXED,150UH	TK1345	108-0959-00
A30A1L3047	108-0958-00			COIL,RF:FIXED,50UH	80009	108-0958-00
A30A1L3088	108-0961-00			COIL,RF:FIXED,140NH	80009	108-0961-00
A30A1Q2021	151-0625-00			TRANSISTOR:PNP,SI,TO-220	03508	D45H11
A30A1Q2023	151-0710-00			TRANSISTOR:NPN,SI,TO-92 PLUS	04713	MPSW01A
A30A1Q2024	151-0625-00			TRANSISTOR:PNP,SI,TO-220	03508	D45H11
A30A1Q2031	151-0302-00			TRANSISTOR:NPN,SI,TO-18	04713	ST899
A30A1Q2061	151-0703-00			TRANSISTOR:NPN,SI,TO-61	01281	PT9223
A30A1Q2071	151-0703-00			TRANSISTOR:NPN,SI,TO-61	01281	PT9223
A30A1Q3022	151-0625-00			TRANSISTOR:PNP,SI,TO-220	03508	D45H11
A30A1Q3023	151-0301-00			TRANSISTOR:PNP,SI,TO-18	04713	ST898
A30A1Q5013	151-0622-00			TRANSISTOR:PNP,SI,40V,1A,TO-226AE/237	04713	SPS8956(MPSW51A)
A30A1Q5023	151-0302-00			TRANSISTOR:NPN,SI,TO-18	04713	ST899
A30A1Q5032	151-0301-00			TRANSISTOR:PNP,SI,TO-18	04713	ST898
A30A1Q6034	151-0302-00			TRANSISTOR:NPN,SI,TO-18	04713	ST899
A30A1Q6041	151-0302-00			TRANSISTOR:NPN,SI,TO-18	04713	ST899
A30A1Q6077	151-0444-00			TRANSISTOR:NPN,SI,TO-92	04713	SPS797
A30A1Q6078	151-0444-00			TRANSISTOR:NPN,SI,TO-92	04713	SPS797
A30A1R2015	308-0463-00			RES,FXD,WW:0.3 OHM,1%,3W	14193	SA31-R300F
A30A1R2017	308-0643-00			RES,FXD,WW:0.10 OHM,3%,3W	14193	SA31 R100H
A30A1R2022	315-0562-00			RES,FXD,FILM:5.6K OHM,5%,0.25W	57668	NTR25J-E05K6
A30A1R2023	315-0102-00			RES,FXD,FILM:1K OHM,5%,0.25W	57668	NTR25JE01K0
A30A1R2025	315-0122-00			RES,FXD,FILM:1.2K OHM,5%,0.25W	57668	NTR25J-E01K2
A30A1R2026	321-0376-00			RES,FXD,FILM:80.6K OHM,1%,0.125W,TC=TO	19701	5043ED80K60F
A30A1R2030	315-0242-00			RES,FXD,FILM:2.4K OHM,5%,0.25W	57668	NTR25J-E02K4
A30A1R2031	307-0106-00			RES,FXD,CMPSN:4.7 OHM,5%,0.25W	01121	CB 47G5
A30A1R2032	321-0193-00			RES,FXD,FILM:1K OHM,1%,0.125W,TC=TO	19701	5033ED1K00F
A30A1R2034	315-0102-00			RES,FXD,FILM:1K OHM,5%,0.25W	57668	NTR25JE01K0
A30A1R2035	315-0621-00			RES,FXD,FILM:620 OHM,5%,0.25W	57668	NTR25J-E620E
A30A1R2036	321-0289-07			RES,FXD,FILM:10.0K OHM,0.1%,0.125W,TC=T9	19701	5033RE10K00B
A30A1R2037	321-0318-07			RES,FXD,FILM:20.0K OHM,0.1%,0.125W,TC=T9	19701	5033RE20K00BCM
A30A1R2038	321-0340-00			RES,FXD,FILM:34.0K OHM,1%,0.125W,TC=TO	19701	5043ED34K00F
A30A1R2039	321-0315-00			RES,FXD,FILM:18.7K OHM,1%,0.125W,TC=TO	19701	5043ED18K70F
A30A1R2057	315-0105-00			RES,FXD,FILM:1M OHM,5%,0.25W	19701	5043CX1M000J
A30A1R2073	315-0105-00			RES,FXD,FILM:1M OHM,5%,0.25W	19701	5043CX1M000J
A30A1R3019	308-0463-00			RES,FXD,WW:0.3 OHM,1%,3W	14193	SA31-R300F
A30A1R3021	315-0102-00			RES,FXD,FILM:1K OHM,5%,0.25W	57668	NTR25JE01K0
A30A1R3022	307-0106-00			RES,FXD,CMPSN:4.7 OHM,5%,0.25W	01121	CB 47G5
A30A1R3024	301-0102-00			RES,FXD,FILM:1K OHM,5%,0.50W	19701	5053CX1K000J
A30A1R3025	315-0102-00			RES,FXD,FILM:1K OHM,5%,0.25W	57668	NTR25JE01K0
A30A1R3026	315-0271-00			RES,FXD,FILM:270 OHM,5%,0.25W	57668	NTR25J-E270E
A30A1R3028	321-0344-00			RES,FXD,FILM:37.4K OHM,1%,0.125W,TC=TO	19701	5033ED37K40F

Component No.	Tektronix Part No.	Serial/Assembly No. Effective	Discont	Name & Description	Mfr. Code	Mfr. Part No.
A30A1R3029	307-0106-00			RES,FXD,CMPSN:4.7 OHM,5%,0.25W	01121	CB 47G5
A30A1R3031	321-0372-00			RES,FXD,FILM:73.2K OHM,1%,0.125W,TC=TO	07716	CEAD73201F
A30A1R3032	321-0193-00			RES,FXD,FILM:1K OHM,1%,0.125W,TC=TO	19701	5033ED1K00F
A30A1R3033	307-0106-00			RES,FXD,CMPSN:4.7 OHM,5%,0.25W	01121	CB 47G5
A30A1R3034	321-0378-00			RES,FXD,FILM:84.5K OHM,1%,0.125W,TC=TO	07716	CEAD84501F
A30A1R3036	321-0193-00			RES,FXD,FILM:1K OHM,1%,0.125W,TC=TO	19701	5033ED1K00F
A30A1R3037	321-0604-00			RES,FXD,FILM:30K OHM,0.25%,0.125W,TC=T2	19701	5033RC30K00C
A30A1R3039	321-0289-03			RES,FXD,FILM:10.0K OHM,0.25%,0.125W,TC=T2	07716	CEAC10001C
A30A1R3084	303-0271-00			RES,FXD,CMPSN:270 OHM,5%,1W	01121	GB2715
A30A1R3089	301-0433-00			RES,FXD,FILM:43K OHM,5%,0.5W	19701	5053CX43K00J
A30A1R3091	301-0433-00			RES,FXD,FILM:43K OHM,5%,0.5W	19701	5053CX43K00J
A30A1R4017	301-0823-00			RES,FXD,FILM:82K OHM,5%,0.5W	19701	5053CX82K00J
A30A1R4018	301-0165-00			RES,FXD,FILM:1.6M OHM,5%,0.5W	57668	TR50J-E 1M6
A30A1R4031	315-0102-00			RES,FXD,FILM:1K OHM,5%,0.25W	57668	NTR25JE01K0
A30A1R4083	315-0471-00			RES,FXD,FILM:470 OHM,5%,0.25W	57668	NTR25J-E470E
A30A1R4092	308-0054-00			RES,FXD,WW:10K OHM,5%,5W	00213	1550S-10000-5
A30A1R5006	307-0023-00			RES,FXD,CMPSN:4.7 OHM,10%,0.5W	01121	EB47G1
A30A1R5014	321-0193-00			RES,FXD,FILM:1K OHM,1%,0.125W,TC=TO	19701	5033ED1K00F
A30A1R5015	321-0353-00			RES,FXD,FILM:46.4K OHM,1%,0.125W,TC=TO	07716	CEAD46401F
A30A1R5016	307-0103-00			RES,FXD,CMPSN:2.7 OHM,5%,0.25W	01121	CB27G5
A30A1R5019	315-0362-00			RES,FXD,FILM:3.6K OHM,5%,0.25W	19701	5043CX3K600J
A30A1R5033	315-0182-00			RES,FXD,FILM:1.8K OHM,5%,0.25W	57668	NTR25J-E1K8
A30A1R5034	315-0222-00			RES,FXD,FILM:2.2K OHM,5%,0.25W	57668	NTR25J-E02K2
A30A1R5035	315-0622-00			RES,FXD,FILM:6.2K OHM,5%,0.25W	19701	5043CX6K200J
A30A1R5036	321-0381-00			RES,FXD,FILM:90.9K OHM,1%,0.125W,TC=TO	07716	CEAD90901F
A30A1R5039	301-0102-00			RES,FXD,FILM:1K OHM,5%,0.50W	19701	5053CX1K000J
A30A1R5043	315-0103-00			RES,FXD,FILM:10K OHM,5%,0.25W	19701	5043CX10K00J
A30A1R5047	321-0327-00	B030000	B055801	RES,FXD,FILM:24.9K OHM,1%,0.125W,TC=TO	07716	CEAD24901F
A30A1R5047	321-0374-00	B055802		RES,FXD,FILM:76.8K OHM,1%,0.125W,TC=TO	07716	CEAD76801F
A30A1R5083	307-0023-00			RES,FXD,CMPSN:4.7 OHM,10%,0.5W	01121	EB47G1
A30A1R5087	308-0154-00			RES,FXD,WW:25K OHM,5%,10W	44655	10EX25K00JQ54
A30A1R5111	301-0565-00			RES,FXD,FILM:5.6M OHM,5%,0.05W	01121	EB5655
A30A1R6011	321-0631-00			RES,FXD,FILM:12.5K OHM,1%,0.125W,TC=TO	91637	MFF1816G12501F
A30A1R6013	307-0106-00			RES,FXD,CMPSN:4.7 OHM,5%,0.25W	01121	CB 47G5
A30A1R6017	307-0106-00			RES,FXD,CMPSN:4.7 OHM,5%,0.25W	01121	CB 47G5
A30A1R6019	321-0289-03			RES,FXD,FILM:10.0K OHM,0.25%,0.125W,TC=T2	07716	CEAC10001C
A30A1R6020	315-0183-00			RES,FXD,FILM:18K OHM,5%,0.25W	19701	5043CX18K00J
A30A1R6021	315-0361-00			RES,FXD,FILM:360 OHM,5%,0.25W	19701	5043CX360R0J
A30A1R6022	315-0103-00			RES,FXD,FILM:10K OHM,5%,0.25W	19701	5043CX10K00J
A30A1R6023	321-0227-00			RES,FXD,FILM:2.26K OHM,1%,0.125W,TC=TO	01121	RNK2261F
A30A1R6024	321-0289-03			RES,FXD,FILM:10.0K OHM,0.25%,0.125W,TC=T2	07716	CEAC10001C
A30A1R6028	311-1489-00			RES,VAR,NONWW:500 OHM,10%,0.75W	02111	43P501T672
A30A1R6029	315-0151-00			RES,FXD,FILM:150 OHM,5%,0.25W	57668	NTR25J-E150E
A30A1R6032	321-0317-00			RES,FXD,FILM:19.6K OHM,1%,0.125W,TC=TO	07716	CEAD19601F
A30A1R6033	315-0103-00			RES,FXD,FILM:10K OHM,5%,0.25W	19701	5043CX10K00J
A30A1R6035	315-0105-00			RES,FXD,FILM:1M OHM,5%,0.25W	19701	5043CX1M000J
A30A1R6037	321-0816-00			RES,FXD,FILM:5K OHM,1%,0.125W,TC=TO	24546	NA55D5001F
A30A1R6038	321-0299-00			RES,FXD,FILM:12.7K OHM,1%,0.125W,TC=TO	19701	5033ED12K70F
A30A1R6041	315-0512-00			RES,FXD,FILM:5.1K OHM,5%,0.25W	57668	NTR25J-E05K1
A30A1R6042	315-0512-00			RES,FXD,FILM:5.1K OHM,5%,0.25W	57668	NTR25J-E05K1
A30A1R6045	315-0103-00			RES,FXD,FILM:10K OHM,5%,0.25W	19701	5043CX10K00J
A30A1R6046	315-0820-00			RES,FXD,FILM:82 OHM,5%,0.25W	57668	NTR25J-E82E0
A30A1R6048	321-0327-00			RES,FXD,FILM:24.9K OHM,1%,0.125W,TC=TO	07716	CEAD24901F
A30A1R6052	321-0250-00			RES,FXD,FILM:3.92K OHM,1%,0.125W,TC=TO	07716	CEAD39200F
A30A1R6056	321-0337-00			RES,FXD,FILM:31.6K OHM,1%,0.125W,TC=TO	07716	CEAD31601F
A30A1R6057	321-0321-00			RES,FXD,FILM:21.5K OHM,1%,0.125W,TC=TO	07716	CEAD21501F
A30A1R6058	321-0230-00			RES,FXD,FILM:2.43K OHM,1%,0.125W,TC=TO	19701	5043ED2K430F
A30A1R6061	311-0644-00			RES,VAR,NONWW:TRMR,20K OHM,0.5W	32997	3329H-G48-203

Replaceable Electrical Parts
492/492P Service Vol. 2 (B030000 & Up)

Component No.	Tektronix Part No.	Serial/Assembly No. Effective	Discont	Name & Description	Mfr. Code	Mfr. Part No.
A30A1R6063	315-0205-00			RES,FXD,FILM:2M OHM,5%,0.25W	01121	CB2055
A30A1R6073	315-0122-00			RES,FXD,FILM:1.2K OHM,5%,0.25W	57668	NTR25J-E01K2
A30A1R6074	315-0103-00			RES,FXD,FILM:10K OHM,5%,0.25W	19701	5043CX10K00J
A30A1R6075	315-0122-00			RES,FXD,FILM:1.2K OHM,5%,0.25W	57668	NTR25J-E01K2
A30A1R6076	315-0103-00			RES,FXD,FILM:10K OHM,5%,0.25W	19701	5043CX10K00J
A30A1R6091	308-0054-00			RES,FXD,WW:10K OHM,5%,5W	00213	1550S-10000-5
A30A1R6093	315-0103-00			RES,FXD,FILM:10K OHM,5%,0.25W	19701	5043CX10K00J
A30A1RT2093	307-0353-00			RES,THERMAL:5 OHM,10%	15454	5DA5R0K270SS-SIL
A30A1RT2097	307-0353-00			RES,THERMAL:5 OHM,10%	15454	5DA5R0K270SS-SIL
A30A1S2103	159-0169-00			FUSE,THERMAL:15A,1200V,104 DEG C	27012	4218A1
A30A1T2080	120-1287-00			TRANSFORMER,RF:TOROID	80009	120-1287-00
A30A1T4071	120-1239-00			XFMR,PWR,SDN&SU:HF	80009	120-1239-00
A30A1T4084	120-0640-00			XFMR,TOROID:	TK1345	120-0640-00
A30A1T6044	120-1350-00			TRANSFORMER,RF:TOROID	80009	120-1350-00
A30A1T6081	120-1234-00	B030000	B055403	TRANSFORMER,HF:BASE DRIVE	80009	120-1234-00
A30A1T6081	120-1234-01	B055404		TRANSFORMER,RF:BASE DRIVE	80009	120-1234-01
A30A1U2037	156-0495-02			MICROCKT,LINEAR:QUAD OPNL AMPL,SELECTED	01295	LM324J4
A30A1U3036	156-0853-00			MICROCKT,LINEAR:OPNL AMPL,DUAL	04713	LM358N
A30A1U3093	119-1168-00			CAPACITOR-RES:0.1UF,20% & 22 OHM,10%,250VAC	14752	RG1782-1
A30A1U3103	119-1168-00			CAPACITOR-RES:0.1UF,20% & 22 OHM,10%,250VAC	14752	RG1782-1
A30A1U6016	156-0853-00			MICROCKT,LINEAR:OPNL AMPL,DUAL	04713	LM358N
A30A1U6036	156-1126-01			MICROCKT,LINEAR:VOLTAGE COMPARATOR,SELECTED	01295	LM311JG4
A30A1U6043	156-1162-00			CPLR,OPTOELECTR:LED,2500V	50438	6N136
A30A1U6046	156-1225-00			MICROCKT,LINEAR:DUAL COMPARATOR	01295	LM393P
A30A1U6053	156-1408-00			MICROCKT,LINEAR:TIMER,LOW POWER	32293	ITS9217
A30A1U6059	156-1408-00			MICROCKT,LINEAR:TIMER,LOW POWER	32293	ITS9217
A30A1U6063	156-0366-02			MICROCKT,DGTL:DUAL D FLIP-FLOP,SCREENED	02735	CD4013BFX
A30A1U6069	156-0793-02			MICROCKT,DGTL:DUAL 4 INPUT NAND GATE,SCRN	04713	MC14012BCLD
A30A1VR5045	152-0279-00	B030000	B055801	SEMICON DVC,DI:ZEN,SI,5.1V,5%,0.4W,DO-7	14552	T03810989
A30A1VR5073	152-0149-00			SEMICON DVC,DI:ZEN,SI,10V,5%,0.4W,DO-7	15238	Z5406
A30A1VR6026	152-0486-00			SEMICON DVC,DI:ZEN,SI,6.2V,2%,400MW,DO-35	04713	SZG20008
A30A1W5045	131-0566-00	B055802		BUS,CONDUCTOR:DUMMY RES,0.094 OD X 0.225 L	24546	OMA 07
A30A1W6043	131-0566-00			BUS,CONDUCTOR:DUMMY RES,0.094 OD X 0.225 L	24546	OMA 07
A30A2	670-5933-00	B030000	B031618	CIRCUIT BD ASSY:FAN DRIVE	80009	670-5933-00
A30A2	670-7226-00	B031619		CIRCUIT BD ASSY:FAN DRIVE	80009	670-7226-00
A30A2	671-0038-00	B055988		CIRCUIT BD ASSY:RACK MOUNT FAN DRIVER (OPTION 30,31,32 ONLY)	80009	671-0038-00
A30A2C1010	283-0024-00	B055988		CAP,FXD,CER DI:0.1UF,+80-20%,50V (OPTION 30,31,32 ONLY)	04222	SR215C104MAA
A30A2C1017	283-0024-00			CAP,FXD,CER DI:0.1UF,+80-20%,50V	04222	SR215C104MAA
A30A2C1018	283-0198-00			CAP,FXD,CER DI:0.22UF,20%,50V	05397	C330C224M5U1CA
A30A2C1019	283-0198-00			CAP,FXD,CER DI:0.22UF,20%,50V	05397	C330C224M5U1CA
A30A2C1026	290-0523-00			CAP,FXD,ELCTLT:2.2UF,20%,20V	05397	T368A225M020AS
A30A2C1028	290-0523-00			CAP,FXD,ELCTLT:2.2UF,20%,20V	05397	T368A225M020AS
A30A2C1032	290-0804-00			CAP,FXD,ELCTLT:10UF,+50-10%,25V	55680	ULB1E100TAAANA
A30A2C1033	290-0804-00			CAP,FXD,ELCTLT:10UF,+50-10%,25V	55680	ULB1E100TAAANA
A30A2C2012	290-0804-00			CAP,FXD,ELCTLT:10UF,+50-10%,25V	55680	ULB1E100TAAANA
A30A2C2018	283-0198-00			CAP,FXD,CER DI:0.22UF,20%,50V	05397	C330C224M5U1CA
A30A2C2028	290-0523-00			CAP,FXD,ELCTLT:2.2UF,20%,20V	05397	T368A225M020AS
A30A2CR1025	152-0066-00	B055988		SEMICON DVC,DI:RECT,SI,400V,1A,DO-41 (OPTION 30,31,32 ONLY)	05828	GP10G-020
A30A2CR2010	152-0066-00	B055988		SEMICON DVC,DI:RECT,SI,400V,1A,DO-41 (OPTION 30,31,32 ONLY)	05828	GP10G-020
A30A2CR2040	152-0066-00			SEMICON DVC,DI:RECT,SI,400V,1A,DO-41	05828	GP10G-020
A30A2L1015	108-0749-00			COIL,RF:FIXED,1MH (OPTION 30,31,32 ONLY)	80009	108-0749-00
A30A2L1015	108-0749-00	B055988		COIL,RF:FIXED,1MH (OPTION 30,31,32 ONLY)	80009	108-0749-00
A30A2Q1010	151-0521-00			SCR:SI,MU-27	02735	C122B1

Component No.	Tektronix Part No.	Serial/Assembly No. Effective Dscont	Name & Description	Mfr. Code	Mfr. Part No.
A30A2Q1018	151-0188-00		TRANSISTOR:PNP,SI,TO-92	80009	151-0188-00
A30A2Q1020	151-0188-00		TRANSISTOR:PNP,SI,TO-92	80009	151-0188-00
A30A2Q1025	151-0302-00		TRANSISTOR:NPN,SI,TO-18	04713	ST899
A30A2Q1025	151-0334-00	B055988	TRANSISTOR:NPN,SI,TO-126,SEL (OPTION 30,31,32 ONLY)	04713	SJE914
A30A2Q1038	151-0302-00		TRANSISTOR:NPN,SI,TO-18	04713	ST899
A30A2Q1044	151-0334-00		TRANSISTOR:NPN,SI,TO-126,SEL	04713	SJE914
A30A2Q2020	151-0188-00		TRANSISTOR:PNP,SI,TO-92	80009	151-0188-00
A30A2Q2025	151-0302-00		TRANSISTOR:NPN,SI,TO-18	04713	ST899
A30A2Q2030	151-0302-00		TRANSISTOR:NPN,SI,TO-18	04713	ST899
A30A2R1010	315-0270-00	B055988	RES,FXD,FILM:27 OHM,5%,0.25W (OPTION 30,31,32 ONLY)	19701	5043CX27R00J
A30A2R1011	315-0101-00	B055988	RES,FXD,FILM:100 OHM,5%,0.25W (OPTION 30,31,32 ONLY)	57668	NTR25J-E 100E
A30A2R1015	315-0270-00		RES,FXD,FILM:27 OHM,5%,0.25W	19701	5043CX27R00J
A30A2R1017	315-0101-00		RES,FXD,FILM:100 OHM,5%,0.25W	57668	NTR25J-E 100E
A30A2R1024	315-0681-00		RES,FXD,FILM:680 OHM,5%,0.25W	57668	NTR25J-E680E
A30A2R1024	315-0104-00	B055988	RES,FXD,FILM:100K OHM,5%,0.25W (OPTION 30,31,32 ONLY)	57668	NTR25J-E100K
A30A2R1026	315-0681-00		RES,FXD,FILM:680 OHM,5%,0.25W	57668	NTR25J-E680E
A30A2R1027	315-0104-00		RES,FXD,FILM:100K OHM,5%,0.25W	57668	NTR25J-E100K
A30A2R1028	315-0163-00		RES,FXD,FILM:16K OHM,5%,0.25W	57668	NTR25J-E 16K
A30A2R1029	315-0223-00		RES,FXD,FILM:22K OHM,5%,0.25W	19701	5043CX22K00J92U
A30A2R1031	315-0473-00		RES,FXD,FILM:47K OHM,5%,0.25W	57668	NTR25J-E47K0
A30A2R1032	315-0163-00		RES,FXD,FILM:16K OHM,5%,0.25W	57668	NTR25J-E 16K
A30A2R1033	315-0393-00		RES,FXD,FILM:39K OHM,5%,0.25W	57668	NTR25J-E39K0
A30A2R1036	315-0223-00		RES,FXD,FILM:22K OHM,5%,0.25W	19701	5043CX22K00J92U
A30A2R2014	315-0333-00		RES,FXD,FILM:33K OHM,5%,0.25W	57668	NTR25J-E33K0
A30A2R2016	315-0104-00		RES,FXD,FILM:100K OHM,5%,0.25W	57668	NTR25J-E100K
A30A2R2019	315-0104-00		RES,FXD,FILM:100K OHM,5%,0.25W	57668	NTR25J-E100K
A30A2R2021	315-0623-00	B055988	RES,FXD,FILM:62K OHM,5%,0.25W (OPTION 30,31,32 ONLY)	19701	5043CX62K00J
A30A2R2025	307-0472-00	B055988	RES,THERMAL:100K OHM,5%,DISC NTC (OPTION 30,31,32 ONLY)	15454	07DE104J-220-EC
A30A2R2034	315-0163-00		RES,FXD,FILM:16K OHM,5%,0.25W	57668	NTR25J-E 16K
A30A2R2035	315-0681-00		RES,FXD,FILM:680 OHM,5%,0.25W	57668	NTR25J-E680E
A30A2R2036	315-0223-00		RES,FXD,FILM:22K OHM,5%,0.25W	19701	5043CX22K00J92U
A30A2R2039	315-0361-00		RES,FXD,FILM:360 OHM,5%,0.25W	19701	5043CX360R0J
A30A2R2042	315-0623-00		RES,FXD,FILM:62K OHM,5%,0.25W	19701	5043CX62K00J
A30A2RT2045	307-0472-00		RES,THERMAL:100K OHM,5%,DISC NTC	15454	07DE104J-220-EC
A30A2VR1010	152-0175-00	B055988	SEMICON DVC,DI:ZEN,SI,5.6V,5%,0.4W,DO-7 (OPTION 30,31,32 ONLY)	14552	TD3810976
A30A2VR1015	152-0175-00		SEMICON DVC,DI:ZEN,SI,5.6V,5%,0.4W,DO-7	14552	TD3810976
A30A2VR2025	152-0166-00	B055988	SEMICON DVC,DI:ZEN,SI,6.2V,5%,0.4W,DO-7 (OPTION 30,31,32 ONLY)	04713	SZ11738RL
A30A57	670-5556-00		CIRCUIT BD ASSY:GPIB INTERFACE (492P ONLY)	80009	670-5556-00
A30A57C1011	290-0524-00		CAP,FXD,ELCTLT:4.7UF,20%,10V	05397	T368A475M010AZ
A30A57C1012	283-0111-00		CAP,FXD,CER DI:0.1UF,20%,50V	05397	C330C104M5U1CA
A30A57C1013	283-0111-00		CAP,FXD,CER DI:0.1UF,20%,50V	05397	C330C104M5U1CA
A30A57L1011	108-0836-00		COIL,RF:FIXED,14UH	80009	108-0836-00
A30A57R1011	317-0103-00		RES,FXD,CMPSN:10K OHM,5%,0.125W	01121	BB1035
A30A57S1011	260-1721-00		SWITCH,ROCKER:8,SPST,125MA,30VDC	81073	76SB08S
A30A57U1011	156-1415-00		MICROCKT,DGTL:TTL,OCTAL GPIB XCVR MGT BUS	01295	SN75161A N
A30A57U1012	156-1414-00		MICROCKT,DGTL:TTL,OCTAL GPIB XCVR DATA BUS	01295	SN75160 (N OR J)
A30A76	670-5558-01	B030000	CIRCUIT BD ASSY:RELAY DRIVER	80009	670-5558-01
A30A76	670-5558-02	B050000	CIRCUIT BD ASSY:RELAY DRIVER	80009	670-5558-02
A30A76C2012	283-0111-00		CAP,FXD,CER DI:0.1UF,20%,50V	05397	C330C104M5U1CA
A30A76C2024	283-0111-00		CAP,FXD,CER DI:0.1UF,20%,50V	05397	C330C104M5U1CA

Replaceable Electrical Parts
492/492P Service Vol. 2 (B030000 & Up)

Component No.	Tektronix Part No.	Serial/Assembly No. Effective Dscnt	Name & Description	Mfr. Code	Mfr. Part No.
A30A76C2036	283-0111-00		CAP, FXD, CER DI: 0.1UF, 20%, 50V	05397	C330C104M5U1CA
A30A76C2038	283-0111-00		CAP, FXD, CER DI: 0.1UF, 20%, 50V	05397	C330C104M5U1CA
A30A76CR1013	152-0322-00		SEMICON DVC, DI: SCHOTTKY, SI, 15V, DO-35	50434	5082-2672
A30A76R1013	315-0202-00		RES, FXD, FILM: 2K OHM, 5%, 0.25W	57668	NTR25J-E 2K
A30A76R2019	315-0103-00		RES, FXD, FILM: 10K OHM, 5%, 0.25W	19701	5043CX10K00J
A30A76R2038	315-0472-00		RES, FXD, FILM: 4.7K OHM, 5%, 0.25W	57668	NTR25J-E04K7
A30A76U2015	156-1111-02		MICROCKT, DGTL: OCTAL BUS XCVR W/3 STATE OUT	01295	SN74LS245N3
A30A76U2025	156-1111-02		MICROCKT, DGTL: OCTAL BUS XCVR W/3 STATE OUT	01295	SN74LS245N3
A30A76U2033	156-1111-02		MICROCKT, DGTL: OCTAL BUS XCVR W/3 STATE OUT	01295	SN74LS245N3
A30A76U2038	156-0381-02		MICROCKT, DGTL: QUAD 2-INP EXCL OR GATE	07263	74LS86PQCR
A32	119-1015-00		FILTER, AMPL: 110MHZ	80009	119-1015-00
A32C321	281-0825-00		CAP, FXD, CER DI: 0.005UF, +100-0%, 100V	33095	51-726-008
A32C323	281-0825-00		CAP, FXD, CER DI: 0.005UF, +100-0%, 100V	33095	51-726-008
A32C325	281-0165-00		CAP, VAR, AIR DI: 0.8-10PF, 250V	73899	MVM-010W
A32P320	131-0938-00		CONN, RCPT, ELEC: SMB, FEMALE	98291	051-043-0349
A32P321	131-0938-00		CONN, RCPT, ELEC: SMB, FEMALE	98291	051-043-0349
A32Q3018	151-0650-00		TRANSISTOR: NPN, SI, TO-39	S0545	2SC1252
A32A1	-----		CIRCUIT BD ASSY: 110 IF (PART OF A32)		
A32A1C1012	283-0204-00		CAP, FXD, CER DI: 0.01UF, 20%, 50V	04222	SR155E103MAA
A32A1C1022	283-0204-00		CAP, FXD, CER DI: 0.01UF, 20%, 50V	04222	SR155E103MAA
A32A1C2010	283-0204-00		CAP, FXD, CER DI: 0.01UF, 20%, 50V	04222	SR155E103MAA
A32A1C2012	283-0204-00		CAP, FXD, CER DI: 0.01UF, 20%, 50V	04222	SR155E103MAA
A32A1C2029	283-0204-00		CAP, FXD, CER DI: 0.01UF, 20%, 50V	04222	SR155E103MAA
A32A1C2035	283-0111-00		CAP, FXD, CER DI: 0.1UF, 20%, 50V	05397	C330C104M5U1CA
A32A1C2036	290-0574-00		CAP, FXD, ELCTLT: 47UF, 10%, 20V	05397	T368C476K0202AS
A32A1C2037	283-0204-00		CAP, FXD, CER DI: 0.01UF, 20%, 50V	04222	SR155E103MAA
A32A1C2047	281-0164-00		CAP, VAR, AIR DI: 0.6-6PF, 250V	73899	MVM-006W
A32A1C2051	283-0204-00		CAP, FXD, CER DI: 0.01UF, 20%, 50V	04222	SR155E103MAA
A32A1C3032	283-0111-00		CAP, FXD, CER DI: 0.1UF, 20%, 50V	05397	C330C104M5U1CA
A32A1C3036	283-0204-00		CAP, FXD, CER DI: 0.01UF, 20%, 50V	04222	SR155E103MAA
A32A1C3043	283-0204-00		CAP, FXD, CER DI: 0.01UF, 20%, 50V	04222	SR155E103MAA
A32A1C3044	283-0204-00		CAP, FXD, CER DI: 0.01UF, 20%, 50V	04222	SR155E103MAA
A32A1C3045	283-0204-00		CAP, FXD, CER DI: 0.01UF, 20%, 50V	04222	SR155E103MAA
A32A1C4020	283-0204-00		CAP, FXD, CER DI: 0.01UF, 20%, 50V	04222	SR155E103MAA
A32A1C4026	283-0204-00		CAP, FXD, CER DI: 0.01UF, 20%, 50V	04222	SR155E103MAA
A32A1C4035	283-0204-00		CAP, FXD, CER DI: 0.01UF, 20%, 50V	04222	SR155E103MAA
A32A1C4036	283-0204-00		CAP, FXD, CER DI: 0.01UF, 20%, 50V	04222	SR155E103MAA
A32A1C4045	283-0156-00		CAP, FXD, CER DI: 0.001 UF, +80-20%, 200V	05397	C315C102Z2R5CA
A32A1CR1029	152-0579-00		SEMICON DVC, DI: SW, SI, 100V, 2.5A, A196P	12969	UM6601B
A32A1CR3030	152-0579-00		SEMICON DVC, DI: SW, SI, 100V, 2.5A, A196P	12969	UM6601B
A32A1E3036	276-0507-00		SHLD BEAD, ELEK: FERRITE	02114	56-590-65B/3B
A32A1E4046	276-0507-00		SHLD BEAD, ELEK: FERRITE	02114	56-590-65B/3B
A32A1L1039	108-0395-00		COIL, RF: FIXED, 64UH	80009	108-0395-00
A32A1L2044	108-0956-00		COIL, RF: FIXED	80009	108-0956-00
A32A1Q3018	151-0650-00		TRANSISTOR: NPN, SI, TO-39	S0545	2SC1252
A32A1Q4037	151-0650-00		TRANSISTOR: NPN, SI, TO-39	S0545	2SC1252
A32A1Q4053	151-0650-00		TRANSISTOR: NPN, SI, TO-39	S0545	2SC1252
A32A1R1012	301-0330-00		RES, FXD, FILM: 33 OHM, 5%, 0.5W	19701	5053CX33R00J
A32A1R1015	311-1281-00		RES, VAR, NONWM: TRMR, 2.5K OHM, 0.5W	32997	3329S-L58-252
A32A1R2014	315-0102-00		RES, FXD, FILM: 1K OHM, 5%, 0.25W	57668	NTR25JE01K0
A32A1R2019	315-0511-00		RES, FXD, FILM: 510 OHM, 5%, 0.25W	19701	5043CX510R0J
A32A1R2028	321-0210-00		RES, FXD, FILM: 1.50K OHM, 1%, 0.125W, TC=TO	19701	5033ED1K50F
A32A1R2029	321-0289-00		RES, FXD, FILM: 10.0K OHM, 1%, 0.125W, TC=TO	19701	5033ED10K0F
A32A1R2030	315-0101-00		RES, FXD, FILM: 100 OHM, 5%, 0.25W	57668	NTR25J-E 100E
A32A1R2032	317-0510-00		RES, FXD, CMPSN: 51 OHM, 5%, 0.125W	01121	BB5105
A32A1R2038	317-0180-00		RES, FXD, CMPSN: 18 OHM, 5%, 0.125W	01121	BB1805
A32A1R2039	317-0301-00		RES, FXD, CMPSN: 300 OHM, 5%, 0.125W	01121	BB3015

Component No.	Tektronix Part No.	Serial/Assembly No. Effective	Dscont	Name & Description	Mfr. Code	Mfr. Part No.
A32A1R2043	317-0301-00			RES,FXD,CMPSN:300 OHM,5%,0.125W	01121	BB3015
A32A1R3014	315-0202-00			RES,FXD,FILM:2K OHM,5%,0.25W	57668	NTR25J-E 2K
A32A1R3029	317-0510-00			RES,FXD,CMPSN:51 OHM,5%,0.125W	01121	BB5105
A32A1R3035	321-0239-00			RES,FXD,FILM:3.01K OHM,1%,0.125W,TC=T0	19701	5043ED3K010F
A32A1R3042	315-0271-00			RES,FXD,FILM:270 OHM,5%,0.25W	57668	NTR25J-E270E
A32A1R4012	301-0330-00			RES,FXD,FILM:33 OHM,5%,0.5W	19701	5053CX33R00J
A32A1R4018	315-0681-00			RES,FXD,FILM:680 OHM,5%,0.25W	57668	NTR25J-E680E
A32A1R4029	307-0113-00			RES,FXD,CMPSN:5.1 OHM,5%,0.25W	01121	CB5165
A32A1R4030	315-0222-00			RES,FXD,FILM:2.2K OHM,5%,0.25W	57668	NTR25J-E02K2
A32A1R4032	315-0681-00			RES,FXD,FILM:680 OHM,5%,0.25W	57668	NTR25J-E680E
A32A1R4038	315-0101-00			RES,FXD,FILM:100 OHM,5%,0.25W	57668	NTR25J-E 100E
A32A1R4039	315-0222-00			RES,FXD,FILM:2.2K OHM,5%,0.25W	57668	NTR25J-E02K2
A32A1R4043	315-0221-00			RES,FXD,FILM:220 OHM,5%,0.25W	57668	NTR25J-E220E
A32A1R4047	315-0681-00			RES,FXD,FILM:680 OHM,5%,0.25W	57668	NTR25J-E680E
A32A1R4058	315-0241-00			RES,FXD,FILM:240 OHM,5%,0.25W	19701	5043CX240R0J
A32A1T2020	120-0902-00			XFMR,TOROID:	80009	120-0902-00
A32A1T3041	120-1235-00			TRANSFORMER,RF:BALUN	80009	120-1235-00
A32A1T3054	120-1235-00			TRANSFORMER,RF:BALUN	80009	120-1235-00
A34	119-1023-00	B030000	B041449	OSC/MIXER ASSY:100MHZ (492 ONLY)	80009	119-1023-00
A34	119-1023-01	B041450	B043226	OSC/MIXER ASSY:100MHZ (492 ONLY)	80009	119-1023-01
A34	119-1023-00	B030000	B041659	OSC/MIXER ASSY:100MHZ (492P ONLY)	80009	119-1023-00
A34	119-1023-01	B041660	B043226	OSC/MIXER ASSY:100MHZ (492P ONLY)	80009	119-1023-01
A34	119-1023-02	B043227		OSC/MIXER ASSY:100 MHZ (492P ONLY)	80009	119-1023-02
A34C341	281-0697-00			CAP,FXD,CER DI:5000PF,+100-0%,100V	72982	2425-003W5W0502Z
A34C342	281-0697-00			CAP,FXD,CER DI:5000PF,+100-0%,100V	72982	2425-003W5W0502Z
A34P340	131-0938-00			CONN,RCPT,ELEC:SMB,FEMALE	98291	051-043-0349
A34P341	131-0938-00			CONN,RCPT,ELEC:SMB,FEMALE	98291	051-043-0349
A34P344	131-0938-00			CONN,RCPT,ELEC:SMB,FEMALE	98291	051-043-0349
A34P346	131-0938-00			CONN,RCPT,ELEC:SMB,FEMALE	98291	051-043-0349
A34P348	131-0938-00			CONN,RCPT,ELEC:SMB,FEMALE	98291	051-043-0349
A34P350	131-0938-00			CONN,RCPT,ELEC:SMB,FEMALE	98291	051-043-0349
A34U1010	156-0285-00			MICROCKT,LINER:VOLTAGE REGULATOR	04713	MC7812CT
A34U2010	156-0872-00			MICROCKT,LINER:VOLTAGE REGULATOR	04713	MC7912CT
A34A1	670-5526-00	B030000	B041449	CIRCUIT BD ASSY:110 MIXER/OSC (492 ONLY)	80009	670-5526-00
A34A1	670-5526-02	B041450		CIRCUIT BD ASSY:110 MIXER/OSC (492 ONLY)	80009	670-5526-02
A34A1	670-5526-00	B030000	B041659	CIRCUIT BD ASSY:110 MIXER/OSC (492P ONLY)	80009	670-5526-00
A34A1	670-5526-02	B041660		CIRCUIT BD ASSY:110 MIXER/OSC (492P ONLY)	80009	670-5526-02
A34A1C1016	283-0156-00			CAP,FXD,CER DI:0.001 UF,+80-20%,200V	05397	C315C102Z2R5CA
A34A1C1017	283-0191-00			CAP,FXD,CER DI:0.022UF,20%,50V	04222	SR205C223MAA
A34A1C1023	283-0156-00			CAP,FXD,CER DI:0.001 UF,+80-20%,200V	05397	C315C102Z2R5CA
A34A1C1024	283-0191-00			CAP,FXD,CER DI:0.022UF,20%,50V	04222	SR205C223MAA
A34A1C1036	283-0156-00			CAP,FXD,CER DI:0.001 UF,+80-20%,200V	05397	C315C102Z2R5CA
A34A1C1041	283-0156-00			CAP,FXD,CER DI:0.001 UF,+80-20%,200V	05397	C315C102Z2R5CA
A34A1C1045	283-0191-00			CAP,FXD,CER DI:0.022UF,20%,50V	04222	SR205C223MAA
A34A1C1056	283-0204-00			CAP,FXD,CER DI:0.01UF,20%,50V	04222	SR155E103MAA
A34A1C2012	283-0156-00			CAP,FXD,CER DI:0.001 UF,+80-20%,200V	05397	C315C102Z2R5CA
A34A1C2013	283-0156-00			CAP,FXD,CER DI:0.001 UF,+80-20%,200V	05397	C315C102Z2R5CA
A34A1C2021	283-0191-00			CAP,FXD,CER DI:0.022UF,20%,50V	04222	SR205C223MAA
A34A1C2022	283-0107-00			CAP,FXD,CER DI:51PF,5%,200V	04222	SR206A510JAA
A34A1C2025	283-0140-00			CAP,FXD,CER DI:4.7PF,+/-0.25PF,50V	72982	8101E003A479C

Replaceable Electrical Parts
492/492P Service Vol. 2 (B030000 & Up)

Component No.	Tektronix Part No.	Serial/Assembly No.		Name & Description	Mfr. Code	Mfr. Part No.
		Effective	Dscont			
A34A1C2026	281-0503-00	B030000	B041449	CAP, FXD, CER DI: 8PF, +/-0.5PF, 500V (492 ONLY)	52763	2RDPLZ007 8P00DC
A34A1C2026	283-0168-00	B041450		CAP, FXD, CER DI: 12PF, 5%, 100V (492 ONLY)	05397	C315C120J1G5CA
A34A1C2026	281-0503-00	B030000	B041659	CAP, FXD, CER DI: 8PF, +/-0.5PF, 500V (492P ONLY)	52763	2RDPLZ007 8P00DC
A34A1C2026	283-0168-00	B041660		CAP, FXD, CER DI: 12PF, 5%, 100V (492P ONLY)	05397	C315C120J1G5CA
A34A1C2037	283-0107-00			CAP, FXD, CER DI: 51PF, 5%, 200V	04222	SR206A510JAA
A34A1C2041	283-0156-00			CAP, FXD, CER DI: 0.001 UF, +80-20%, 200V	05397	C315C102Z2R5CA
A34A1C3014	283-0191-00			CAP, FXD, CER DI: 0.022UF, 20%, 50V	04222	SR205C223MAA
A34A1C3019	283-0191-00			CAP, FXD, CER DI: 0.022UF, 20%, 50V	04222	SR205C223MAA
A34A1C3024	283-0191-00			CAP, FXD, CER DI: 0.022UF, 20%, 50V	04222	SR205C223MAA
A34A1C3029	281-0221-00			CAP, VAR, CER DI: 2-10PF, 100V	72982	0513013A 2 0-10
A34A1C3031	281-0153-00			CAP, VAR, AIR DI: 1.7-10PF, 250V	74970	187-0106-055
A34A1C3039	283-0191-00			CAP, FXD, CER DI: 0.022UF, 20%, 50V	04222	SR205C223MAA
A34A1C3046	283-0191-00			CAP, FXD, CER DI: 0.022UF, 20%, 50V	04222	SR205C223MAA
A34A1C3047	283-0191-00			CAP, FXD, CER DI: 0.022UF, 20%, 50V	04222	SR205C223MAA
A34A1C3056	283-0191-00			CAP, FXD, CER DI: 0.022UF, 20%, 50V	04222	SR205C223MAA
A34A1C3057	283-0114-00			CAP, FXD, CER DI: 1500PF, 5%, 200V	59660	805-534-Y5D0152J
A34A1C3058	281-0549-00			CAP, FXD, CER DI: 68PF, 10%, 500V	52763	2RDPLZ007 68P0KU
A34A1C4011	283-0191-00			CAP, FXD, CER DI: 0.022UF, 20%, 50V	04222	SR205C223MAA
A34A1C4012	283-0191-00			CAP, FXD, CER DI: 0.022UF, 20%, 50V	04222	SR205C223MAA
A34A1C4021	283-0191-00			CAP, FXD, CER DI: 0.022UF, 20%, 50V	04222	SR205C223MAA
A34A1C4026	283-0156-00			CAP, FXD, CER DI: 0.001 UF, +80-20%, 200V	05397	C315C102Z2R5CA
A34A1C4027	283-0156-00			CAP, FXD, CER DI: 0.001 UF, +80-20%, 200V	05397	C315C102Z2R5CA
A34A1C4028	283-0191-00			CAP, FXD, CER DI: 0.022UF, 20%, 50V	04222	SR205C223MAA
A34A1C4029	283-0203-00			CAP, FXD, CER DI: 0.47UF, 20%, 50V	04222	SR305SC474MAA
A34A1C4031	290-0720-00			CAP, FXD, ELCTLT: 68UF, 20%, 15V	56289	196D686X0015PE3
A34A1C4032	283-0191-00			CAP, FXD, CER DI: 0.022UF, 20%, 50V	04222	SR205C223MAA
A34A1C4043	283-0191-00			CAP, FXD, CER DI: 0.022UF, 20%, 50V	04222	SR205C223MAA
A34A1C4044	290-0720-00			CAP, FXD, ELCTLT: 68UF, 20%, 15V	56289	196D686X0015PE3
A34A1CR2054	152-0715-00			SEMICOND DVC, DI: SCHOTTKY, SI, RING QUAD, M491G	S0545	ND487C2-3P
A34A1CR3045	152-0269-00			SEMICOND DVC, DI: VVC, SI, 35V, 33PF, DO-7	04713	SMV1263
A34A1E2015	276-0532-00			SHLD BEAD, ELEK: FERRITE	02114	56-590-65/4A6
A34A1E2016	276-0532-00			SHLD BEAD, ELEK: FERRITE	02114	56-590-65/4A6
A34A1E3015	276-0532-00			SHLD BEAD, ELEK: FERRITE	02114	56-590-65/4A6
A34A1E4018	276-0532-00			SHLD BEAD, ELEK: FERRITE	02114	56-590-65/4A6
A34A1L1055	108-0606-00			COIL, RF: FIXED, 31NH	80009	108-0606-00
A34A1L2029	108-0963-00	B030000	B041449	COIL, RF: FXD, 100NH (492 ONLY)	80009	108-0963-00
A34A1L2029	108-1129-00	B041450		COIL, RF: FIXED, 100MH (492 ONLY)	80009	108-1129-00
A34A1L2029	108-0963-00	B030000	B041659	COIL, RF: FXD, 100NH (492P ONLY)	80009	108-0963-00
A34A1L2029	108-1129-00	B041660		COIL, RF: FIXED, 100MH (492P ONLY)	80009	108-1129-00
A34A1L3024	108-0965-00			COIL, RF: FXD, 170NH	80009	108-0965-00
A34A1L4024	108-0598-00			COIL, RF: FIXED, 200UH	80009	108-0598-00
A34A1L4055	108-0311-00			COIL, RF: FIXED, 150NH	TK1345	108-0311-00
A34A1Q1031	151-0282-00			TRANSISTOR: NPN, SI, TO-72	04713	SRF2625
A34A1Q1048	151-0446-00			TRANSISTOR: NPN, SI, TO-39	04713	SRF2320
A34A1Q2015	151-0282-00			TRANSISTOR: NPN, SI, TO-72	04713	SRF2625
A34A1Q2016	151-0282-00			TRANSISTOR: NPN, SI, TO-72	04713	SRF2625
A34A1Q2031	151-0282-00			TRANSISTOR: NPN, SI, TO-72	04713	SRF2625
A34A1Q2036	151-0446-00			TRANSISTOR: NPN, SI, TO-39	04713	SRF2320
A34A1Q2046	151-0446-00			TRANSISTOR: NPN, SI, TO-39	04713	SRF2320
A34A1Q3015	151-0282-00			TRANSISTOR: NPN, SI, TO-72	04713	SRF2625
A34A1Q3041	151-0282-00			TRANSISTOR: NPN, SI, TO-72	04713	SRF2625

Component No.	Tektronix Part No.	Serial/Assembly No. Effective	Dscont	Name & Description	Mfr. Code	Mfr. Part No.
A34A1Q4018	151-0282-00			TRANSISTOR:NPN,SI,TO-72	04713	SRF2625
A34A1R1014	317-0121-00			RES,FXD,CMPSN:120 OHM,5%,0.125W	01121	BB1215
A34A1R1015	317-0101-00			RES,FXD,CMPSN:100 OHM,5%,0.125W	01121	BB1015
A34A1R1016	317-0101-00			RES,FXD,CMPSN:100 OHM,5%,0.125W	01121	BB1015
A34A1R1018	321-0144-00	B030000	B041449	RES,FXD,FILM:309 OHM,1%,0.125W,TC=TO (492 ONLY)	07716	CEAD309ROF
A34A1R1018	321-0179-00	B041450		RES,FXD,FILM:715 OHM,1%,0.125W,TC=TO (492 ONLY)	07716	CEAD715ROF
A34A1R1018	321-0144-00	B030000	B041449	RES,FXD,FILM:309 OHM,1%,0.125W,TC=TO (492P ONLY)	07716	CEAD309ROF
A34A1R1018	321-0179-00	B041450		RES,FXD,FILM:715 OHM,1%,0.125W,TC=TO (492P ONLY)	07716	CEAD715ROF
A34A1R1023	317-0101-00			RES,FXD,CMPSN:100 OHM,5%,0.125W	01121	BB1015
A34A1R1025	317-0470-00			RES,FXD,CMPSN:47 OHM,5%,0.125W	01121	BB4705
A34A1R1027	317-0101-00			RES,FXD,CMPSN:100 OHM,5%,0.125W	01121	BB1015
A34A1R1028	317-0680-00			RES,FXD,CMPSN:68 OHM,5%,0.125W	01121	BB6805
A34A1R1035	317-0100-00			RES,FXD,CMPSN:10 OHM,5%,0.125W	01121	BB1005
A34A1R1042	321-0155-00			RES,FXD,FILM:402 OHM,1%,0.125W,TC=TO	07716	CEAD402ROF
A34A1R1043	317-0201-00			RES,FXD,CMPSN:200 OHM,5%,0.125W	01121	BB2015
A34A1R1045	311-1261-00			RES,VAR,NONWW:TRMR,500 OHM,0.5W	32997	3329P-L58-501
A34A1R2019	317-0470-00			RES,FXD,CMPSN:47 OHM,5%,0.125W	01121	BB4705
A34A1R2021	315-0102-00			RES,FXD,FILM:1K OHM,5%,0.25W	57668	NTR25JE01K0
A34A1R2022	317-0101-00			RES,FXD,CMPSN:100 OHM,5%,0.125W	01121	BB1015
A34A1R2023	317-0101-00			RES,FXD,CMPSN:100 OHM,5%,0.125W	01121	BB1015
A34A1R2024	317-0101-00			RES,FXD,CMPSN:100 OHM,5%,0.125W	01121	BB1015
A34A1R2025	317-0470-00			RES,FXD,CMPSN:47 OHM,5%,0.125W	01121	BB4705
A34A1R2037	315-0102-00			RES,FXD,FILM:1K OHM,5%,0.25W	57668	NTR25JE01K0
A34A1R2038	315-0122-00			RES,FXD,FILM:1.2K OHM,5%,0.25W	57668	NTR25J-E01K2
A34A1R2039	315-0102-00			RES,FXD,FILM:1K OHM,5%,0.25W	57668	NTR25JE01K0
A34A1R2041	315-0221-00	B030000	B041449	RES,FXD,FILM:220 OHM,5%,0.25W (492 ONLY)	57668	NTR25J-E220E
A34A1R2041	301-0101-00	B041450		RES,FXD,FILM:100 OHM,5%,0.5W (492 ONLY)	01121	EB1015
A34A1R2041	315-0221-00	B030000	B041659	RES,FXD,FILM:220 OHM,5%,0.25W (492P ONLY)	57668	NTR25J-E220E
A34A1R2041	301-0101-00	B041660		RES,FXD,FILM:100 OHM,5%,0.5W (492P ONLY)	01121	EB1015
A34A1R2046	315-0470-00			RES,FXD,FILM:47 OHM,5%,0.25W	57668	NTR25J-E47E0
A34A1R2049	317-0240-00			RES,FXD,CMPSN:24 OHM,5%,0.125W	01121	BB2405
A34A1R2056	317-0510-00			RES,FXD,CMPSN:51 OHM,5%,0.125W	01121	BB5105
A34A1R3011	317-0101-00			RES,FXD,CMPSN:100 OHM,5%,0.125W	01121	BB1015
A34A1R3012	317-0101-00			RES,FXD,CMPSN:100 OHM,5%,0.125W	01121	BB1015
A34A1R3015	317-0470-00			RES,FXD,CMPSN:47 OHM,5%,0.125W	01121	BB4705
A34A1R3016	317-0101-00			RES,FXD,CMPSN:100 OHM,5%,0.125W	01121	BB1015
A34A1R3017	317-0101-00			RES,FXD,CMPSN:100 OHM,5%,0.125W	01121	BB1015
A34A1R3021	317-0201-00			RES,FXD,CMPSN:200 OHM,5%,0.125W	01121	BB2015
A34A1R3028	317-0103-00			RES,FXD,CMPSN:10K OHM,5%,0.125W	01121	BB1035
A34A1R3033	317-0103-00			RES,FXD,CMPSN:10K OHM,5%,0.125W	01121	BB1035
A34A1R3039	317-0100-00			RES,FXD,CMPSN:10 OHM,5%,0.125W	01121	BB1005
A34A1R3041	315-0242-00			RES,FXD,FILM:2.4K OHM,5%,0.25W	57668	NTR25J-E02K4
A34A1R3042	317-0680-00			RES,FXD,CMPSN:68 OHM,5%,0.125W	01121	BB6805
A34A1R3045	315-0102-00			RES,FXD,FILM:1K OHM,5%,0.25W	57668	NTR25JE01K0
A34A1R3046	315-0331-00			RES,FXD,FILM:330 OHM,5%,0.25W	57668	NTR25J-E330E
A34A1R3049	317-0240-00			RES,FXD,CMPSN:24 OHM,5%,0.125W	01121	BB2405
A34A1R4012	317-0470-00			RES,FXD,CMPSN:47 OHM,5%,0.125W	01121	BB4705
A34A1R4016	315-0102-00			RES,FXD,FILM:1K OHM,5%,0.25W	57668	NTR25JE01K0
A34A1R4018	315-0102-00			RES,FXD,FILM:1K OHM,5%,0.25W	57668	NTR25JE01K0
A34A1R4021	315-0102-00			RES,FXD,FILM:1K OHM,5%,0.25W	57668	NTR25JE01K0
A34A1R4022	317-0470-00			RES,FXD,CMPSN:47 OHM,5%,0.125W	01121	BB4705
A34A1R4046	317-0201-00			RES,FXD,CMPSN:200 OHM,5%,0.125W	01121	BB2015

Replaceable Electrical Parts
492/492P Service Vol. 2 (B030000 & Up)

Component No.	Tektronix Part No.	Serial/Assembly No. Effective	Dscont	Name & Description	Mfr. Code	Mfr. Part No.
A34A1R4055	315-0100-00			RES, FXD, FILM: 10 OHM, 5%, 0.25W	19701	5043CX10RR00J
A34A1T1053	120-1113-00			TRANSFORMER, RF: BALUN, TD-343	80009	120-1113-00
A34A1T2026	120-0902-00			XFMR, TOROID:	80009	120-0902-00
A34A1T2041	120-1113-00			TRANSFORMER, RF: BALUN, TD-343	80009	120-1113-00
A34A1T3053	120-1236-00			TRANSFORMER, RF: BALUN	80009	120-1236-00
A34A2	670-6204-00			CIRCUIT BD ASSY: 100 MHZ L/O REGULATOR	80009	670-6204-00
A34A2C1010	283-0203-00			CAP, FXD, CER DI: 0.47UF, 20%, 50V	04222	SR3055C474MAA
A34A2C2010	283-0203-00			CAP, FXD, CER DI: 0.47UF, 20%, 50V	04222	SR3055C474MAA
A38	670-7050-00	B030000	B043040	CIRCUIT BD ASSY: FR PNL	80009	670-7050-00
A38	670-7050-01	B043041	B054244	CIRCUIT BD ASSY: FR PNL	80009	670-7050-01
A38	670-7050-02	B054245	B054639	CIRCUIT BD ASSY: FRONT PANEL	80009	670-7050-02
A38	670-7050-03	B054640	B054980	CIRCUIT BD ASSY: FRONT PANEL	80009	670-7050-03
A38	670-7050-04	B054981	B055824	CIRCUIT BD ASSY: FRONT PANEL	80009	670-7050-04
A38	670-7050-05	B055825		CIRCUIT BD ASSY: FRONT PANEL	80009	670-7050-05
A38C1011	283-0204-00	B030000	B054244	CAP, FXD, CER DI: 0.01UF, 20%, 50V	04222	SR155E103MAA
A38C1013	283-0730-00	B030000	B054244	CAP, FXD, MICA DI: 274PF, 1%, 500V	00853	D155F2740F0
A38C1016	283-0239-00	B054245		CAP, FXD, CER DI: 0.022UF, 10%, 50V	04222	3439-050C-223K
A38C1019	283-0204-00	B030000	B054244	CAP, FXD, CER DI: 0.01UF, 20%, 50V	04222	SR155E103MAA
A38C1024	283-0204-00	B030000	B054244	CAP, FXD, CER DI: 0.01UF, 20%, 50V	04222	SR155E103MAA
A38C1025	290-0512-00	B030000	B054244	CAP, FXD, ELCTLT: 22UF, 20%, 15V	05397	T368B226M015AS
A38C1044	283-0204-00	B030000	B054244	CAP, FXD, CER DI: 0.01UF, 20%, 50V	04222	SR155E103MAA
A38C1047	283-0204-00	B054245		CAP, FXD, CER DI: 0.01UF, 20%, 50V	04222	SR155E103MAA
A38C2025	283-0204-00	B030000	B054244	CAP, FXD, CER DI: 0.01UF, 20%, 50V	04222	SR155E103MAA
A38C2046	283-0776-00	B054245		CAP, FXD, MICA DI: 2130 PF, 1%, 500V	00853	D195F2131F0
A38C3030	283-0154-00	B054245		CAP, FXD, CER DI: 22PF, 5%, 50V	04222	SR155A220JAA
A38C4015	283-0177-00	B030000	B054244	CAP, FXD, CER DI: 1UF, +80-20%, 25V	04222	SR302E105ZAATR
A38C4023	290-0523-00	B030000	B054244	CAP, FXD, ELCTLT: 2.2UF, 20%, 20V	05397	T368A225M020AS
A38C4026	283-0032-00	B030000	B054244	CAP, FXD, CER DI: 470PF, 5%, 500V	59660	831-000-Z5E0471J
A38C4028	283-0204-00	B054245		CAP, FXD, CER DI: 0.01UF, 20%, 50V	04222	SR155E103MAA
A38C4029	283-0204-00	B030000	B054244	CAP, FXD, CER DI: 0.01UF, 20%, 50V	04222	SR155E103MAA
A38C4041	283-0204-00	B030000	B054244	CAP, FXD, CER DI: 0.01UF, 20%, 50V	04222	SR155E103MAA
A38C5021	283-0204-00	B030000	B054244	CAP, FXD, CER DI: 0.01UF, 20%, 50V	04222	SR155E103MAA
A38C5028	283-0204-00	B030000	B054244	CAP, FXD, CER DI: 0.01UF, 20%, 50V	04222	SR155E103MAA
A38C6021	283-0204-00	B054245		CAP, FXD, CER DI: 0.01UF, 20%, 50V	04222	SR155E103MAA
A38C6091	283-0204-00			CAP, FXD, CER DI: 0.01UF, 20%, 50V	04222	SR155E103MAA
A38CR1017	152-0141-02	B054245		SEMICON DVC, DI: SW, SI, 30V, 150MA, 30V, DO-35	03508	DA2527 (1N4152)
A38CR1026	152-0141-02	B030000	B054244	SEMICON DVC, DI: SW, SI, 30V, 150MA, 30V, DO-35	03508	DA2527 (1N4152)
A38CR2018	152-0141-02	B054245		SEMICON DVC, DI: SW, SI, 30V, 150MA, 30V, DO-35	03508	DA2527 (1N4152)
A38CR2026	152-0141-02	B030000	B054244	SEMICON DVC, DI: SW, SI, 30V, 150MA, 30V, DO-35	03508	DA2527 (1N4152)
A38CR2027	152-0141-02	B030000	B054244	SEMICON DVC, DI: SW, SI, 30V, 150MA, 30V, DO-35	03508	DA2527 (1N4152)
A38CR2043	152-0141-02	B054245		SEMICON DVC, DI: SW, SI, 30V, 150MA, 30V, DO-35	03508	DA2527 (1N4152)
A38CR3012	152-0322-00	B054245		SEMICON DVC, DI: SCHOTTKY, SI, 15V, DO-35	50434	5082-2672
A38CR3013	152-0322-00	B054245		SEMICON DVC, DI: SCHOTTKY, SI, 15V, DO-35	50434	5082-2672
A38CR4017	152-0141-02	B054245		SEMICON DVC, DI: SW, SI, 30V, 150MA, 30V, DO-35	03508	DA2527 (1N4152)
A38CR4022	152-0322-00	B030000	B054244	SEMICON DVC, DI: SCHOTTKY, SI, 15V, DO-35	50434	5082-2672
A38CR4027	152-0141-02	B054245		SEMICON DVC, DI: SW, SI, 30V, 150MA, 30V, DO-35	03508	DA2527 (1N4152)
A38CR5022	152-0322-00	B030000	B054244	SEMICON DVC, DI: SCHOTTKY, SI, 15V, DO-35	50434	5082-2672
A38CR6029	152-0141-02	B030000	B054244	SEMICON DVC, DI: SW, SI, 30V, 150MA, 30V, DO-35	03508	DA2527 (1N4152)
A38CR6032	152-0141-02	B030000	B054244	SEMICON DVC, DI: SW, SI, 30V, 150MA, 30V, DO-35	03508	DA2527 (1N4152)
A38CR6033	152-0141-02	B030000	B054244	SEMICON DVC, DI: SW, SI, 30V, 150MA, 30V, DO-35	03508	DA2527 (1N4152)
A38CR6034	152-0141-02	B030000	B054244	SEMICON DVC, DI: SW, SI, 30V, 150MA, 30V, DO-35	03508	DA2527 (1N4152)
A38CR6035	152-0141-02			SEMICON DVC, DI: SW, SI, 30V, 150MA, 30V, DO-35	03508	DA2527 (1N4152)
A38CR6082	152-0141-02	B030000	B054244	SEMICON DVC, DI: SW, SI, 30V, 150MA, 30V, DO-35	03508	DA2527 (1N4152)
A38CR6090	152-0141-02	B054245		SEMICON DVC, DI: SW, SI, 30V, 150MA, 30V, DO-35	03508	DA2527 (1N4152)
A38DS1048	150-1068-00			LT EMITTING DIO: RED, 635NM, 10MA MAX	50434	HLMP-6320
A38DS1054	150-1068-00			LT EMITTING DIO: RED, 635NM, 10MA MAX	50434	HLMP-6320
A38DS1121	150-1068-00			LT EMITTING DIO: RED, 635NM, 10MA MAX	50434	HLMP-6320
A38DS2014	150-1068-00			LT EMITTING DIO: RED, 635NM, 10MA MAX	50434	HLMP-6320

Component No.	Tektronix Part No.	Serial/Assembly No. Effective	Dscont	Name & Description	Mfr. Code	Mfr. Part No.
A38DS2016	150-1068-00	B030000	B054244	LT EMITTING DIO:RED,635NM,10MA MAX	50434	HLMP-6320
A38DS2016	150-1031-00	B054245		LT EMITTING DIO:RED,650NM,40MA MAX	50434	HLMP-1002
A38DS2056	150-1068-00	B054245		LT EMITTING DIO:RED,635NM,10MA MAX	50434	HLMP-6320
A38DS2122	150-1068-00			LT EMITTING DIO:RED,635NM,10MA MAX	50434	HLMP-6320
A38DS2123	150-1068-00			LT EMITTING DIO:RED,635NM,10MA MAX	50434	HLMP-6320
A38DS3035	150-1068-00			LT EMITTING DIO:RED,635NM,10MA MAX	50434	HLMP-6320
A38DS3036	150-1068-00			LT EMITTING DIO:RED,635NM,10MA MAX	50434	HLMP-6320
A38DS3037	150-1068-00			LT EMITTING DIO:RED,635NM,10MA MAX	50434	HLMP-6320
A38DS3038	150-1068-00	B030000	B054244	LT EMITTING DIO:RED,635NM,10MA MAX	50434	HLMP-6320
A38DS3038	150-1068-00	B054640		LT EMITTING DIO:RED,635NM,10MA MAX	50434	HLMP-6320
A38DS3043	150-1068-00			LT EMITTING DIO:RED,635NM,10MA MAX	50434	HLMP-6320
A38DS3044	150-1068-00			LT EMITTING DIO:RED,635NM,10MA MAX	50434	HLMP-6320
A38DS3045	150-1068-00			LT EMITTING DIO:RED,635NM,10MA MAX	50434	HLMP-6320
A38DS3046	150-1068-00			LT EMITTING DIO:RED,635NM,10MA MAX	50434	HLMP-6320
A38DS3047	150-1068-00			LT EMITTING DIO:RED,635NM,10MA MAX	50434	HLMP-6320
A38DS3048	150-1068-00			LT EMITTING DIO:RED,635NM,10MA MAX	50434	HLMP-6320
A38DS3052	150-1068-00			LT EMITTING DIO:RED,635NM,10MA MAX	50434	HLMP-6320
A38DS3053	150-1068-00			LT EMITTING DIO:RED,635NM,10MA MAX	50434	HLMP-6320
A38DS3055	150-1068-00			LT EMITTING DIO:RED,635NM,10MA MAX	50434	HLMP-6320
A38DS3122	150-1068-00			LT EMITTING DIO:RED,635NM,10MA MAX	50434	HLMP-6320
A38DS3123	150-1068-00			LT EMITTING DIO:RED,635NM,10MA MAX	50434	HLMP-6320
A38DS4046	150-1068-00			LT EMITTING DIO:RED,635NM,10MA MAX	50434	HLMP-6320
A38DS4052	150-1068-00			LT EMITTING DIO:RED,635NM,10MA MAX	50434	HLMP-6320
A38DS4122	150-1068-00			LT EMITTING DIO:RED,635NM,10MA MAX	50434	HLMP-6320
A38DS4123	150-1068-00			LT EMITTING DIO:RED,635NM,10MA MAX	50434	HLMP-6320
A38DS5015	150-1029-00			LT EMITTING DIO:GREEN,565NM,35MA	58361	Q6480/MV5274C
A38DS5050	150-1068-00			LT EMITTING DIO:RED,635NM,10MA MAX	50434	HLMP-6320
A38DS5120	150-1068-00			LT EMITTING DIO:RED,635NM,10MA MAX	50434	HLMP-6320
A38DS5124	150-1031-00			LT EMITTING DIO:RED,650NM,40MA MAX	50434	HLMP-1002
A38DS6046	150-1033-00			LT EMITTING DIO:AMBER,585NM,40MA MAX	50434	HLMP 1401
A38DS6052	150-1068-00			LT EMITTING DIO:RED,635NM,10MA MAX	50434	HLMP-6320
A38DS6062	150-1068-00			LT EMITTING DIO:RED,635NM,10MA MAX	50434	HLMP-6320
A38L1021	108-0598-00	B030000	B054244	COIL, RF: FIXED, 200UH	80009	108-0598-00
A38L1045	108-0742-00	B054245		COIL, RF: FIXED, 83UH	80009	108-0742-00
A38Q6028	151-0301-00	B030000	B054244	TRANSISTOR:PNP, SI, TO-18	04713	ST898
A38R1014	315-0472-00	B030000	B054244	RES, FXD, FILM: 4.7K OHM, 5%, 0.25W	57668	NTR25J-E04K7
A38R1015	315-0243-00	B030000	B054244	RES, FXD, FILM: 24K OHM, 5%, 0.25W	57668	NTR25J-E24K0
A38R1015	315-0334-00	B054245		RES, FXD, FILM: 330K OHM, 5%, 0.25W	57668	NTR25J-E 330K
A38R1019	315-0221-00	B054245		RES, FXD, FILM: 220 OHM, 5%, 0.25W	57668	NTR25J-E220E
A38R1022	307-0106-00	B030000	B054244	RES, FXD, CMPSN: 4.7 OHM, 5%, 0.25W	01121	CB 4765
A38R1026	315-0102-00	B054245		RES, FXD, FILM: 1K OHM, 5%, 0.25W	57668	NTR25JE01K0
A38R1028	315-0102-00	B054245		RES, FXD, FILM: 1K OHM, 5%, 0.25W	57668	NTR25JE01K0
A38R1030	315-0563-00	B054245		RES, FXD, FILM: 56K OHM, 5%, 0.25W	19701	5043CX56K00J
A38R1031	315-0563-00			RES, FXD, FILM: 56K OHM, 5%, 0.25W	19701	5043CX56K00J
A38R1037	315-0563-00	B030000	B054244	RES, FXD, FILM: 56K OHM, 5%, 0.25W	19701	5043CX56K00J
A38R1039	307-0594-00	B054245		RES NTWK, FXD, FI: 7, 220 OHM, 2%, 1.0W	11236	750-81-R220
A38R1053	315-0221-00	B054245		RES, FXD, FILM: 220 OHM, 5%, 0.25W	57668	NTR25J-E220E
A38R1055	315-0221-00	B054245		RES, FXD, FILM: 220 OHM, 5%, 0.25W	57668	NTR25J-E220E
A38R1056	315-0221-00	B054245		RES, FXD, FILM: 220 OHM, 5%, 0.25W	57668	NTR25J-E220E
A38R1121	311-2051-00			RES, VAR, NONNW: PNL, 10K OHM, 20%, 0.5W	01121	WR8602
A38R2014	315-0221-00	B030000	B054244	RES, FXD, FILM: 220 OHM, 5%, 0.25W	57668	NTR25J-E220E
A38R2019	315-0103-00	B054245		RES, FXD, FILM: 10K OHM, 5%, 0.25W	19701	5043CX10K00J
A38R2021	315-0221-00			RES, FXD, FILM: 220 OHM, 5%, 0.25W	57668	NTR25J-E220E
A38R2031	315-0103-00	B054245		RES, FXD, FILM: 10K OHM, 5%, 0.25W	19701	5043CX10K00J
A38R2041	307-0696-00	B054245		RES NTWK, FXD, FI: 7, 10K OHM, 2%, 0.15W EACH	01121	108A103
A38R2044	315-0103-00	B054245		RES, FXD, FILM: 10K OHM, 5%, 0.25W	19701	5043CX10K00J
A38R2045	307-0594-00	B030000	B054244	RES NTWK, FXD, FI: 7, 220 OHM, 2%, 1.0W	11236	750-81-R220
A38R2045	315-0221-00	B054245		RES, FXD, FILM: 220 OHM, 5%, 0.25W	57668	NTR25J-E220E

Replaceable Electrical Parts
492/492P Service Vol. 2 (B030000 & Up)

Component No.	Tektronix Part No.	Serial/Assembly No. Effective	Discont	Name & Description	Mfr. Code	Mfr. Part No.
A38R3039	307-0499-00	B030000	B054244	RES,FXD,FILM:9,100K OHM,5%,0.125W	11236	750-101-R100K
A38R3119	307-0592-00	B054245		RES NTWK,FXD,FI:9,220 OHM,2%,2W	11236	750-101-R220
A38R3128	307-0594-00	B030000	B054244	RES NTWK,FXD,FI:7,220 OHM,2%,1.0W	11236	750-81-R220
A38R4026	307-0106-00	B030000	B054244	RES,FXD,CMPSN:4.7 OHM,5%,0.25W	01121	CB 47G5
A38R4028	315-0104-00	B030000	B054244	RES,FXD,FILM:100K OHM,5%,0.25W	57668	NTR25J-E100K
A38R4043	311-2051-00			RES,VAR,NONWW:PNL,10K OHM,20%,0.5W	01121	WR8602
A38R4050	307-0594-00	B030000	B054244	RES NTWK,FXD,FI:7,220 OHM,2%,1.0W	11236	750-81-R220
A38R4054	307-0594-00	B054245		RES NTWK,FXD,FI:7,220 OHM,2%,1.0W	11236	750-81-R220
A38R4059	307-0594-00	B054245		RES NTWK,FXD,FI:7,220 OHM,2%,1.0W	11236	750-81-R220
A38R4120	315-0221-00	B030000	B054244	RES,FXD,FILM:220 OHM,5%,0.25W	57668	NTR25J-E220E
A38R4121	311-2051-00			RES,VAR,NONWW:PNL,10K OHM,20%,0.5W	01121	WR8602
A38R5011	315-0202-00	B054245		RES,FXD,FILM:2K OHM,5%,0.25W	57668	NTR25J-E 2K
A38R5012	315-0221-00	B054245		RES,FXD,FILM:220 OHM,5%,0.25W	57668	NTR25J-E220E
A38R5015	315-0221-00	B030000	B054244	RES,FXD,FILM:220 OHM,5%,0.25W	57668	NTR25J-E220E
A38R5022	315-0153-00	B030000	B054244	RES,FXD,FILM:15K OHM,5%,0.25W	19701	5043CX15K00J
A38R5028	315-0153-00	B030000	B054244	RES,FXD,FILM:15K OHM,5%,0.25W	19701	5043CX15K00J
A38R6025	315-0473-00	B030000	B054244	RES,FXD,FILM:47K OHM,5%,0.25W	57668	NTR25J-E47K0
A38R6028	315-0202-00	B030000	B054244	RES,FXD,FILM:2K OHM,5%,0.25W	57668	NTR25J-E 2K
A38R6029	315-0472-00	B030000	B054244	RES,FXD,FILM:4.7K OHM,5%,0.25W	57668	NTR25J-E04K7
A38R6041	315-0221-00	B030000	B054244	RES,FXD,FILM:220 OHM,5%,0.25W	57668	NTR25J-E220E
A38R6042	307-0594-00	B030000	B054244	RES NTWK,FXD,FI:7,220 OHM,2%,1.0W	11236	750-81-R220
A38R6047	315-0472-00	B030000	B054244	RES,FXD,FILM:4.7K OHM,5%,0.25W	57668	NTR25J-E04K7
A38R6049	311-2049-00			RES,VAR,NONWW:PNL,5K OHM,20%,0.5W	01121	WRA1A028S502M
A38R6051	311-2050-00			RES,VAR,NONWW:PNL,1K OHM,20%,0.5W	01121	WRA1A028S102M
A38R6056	321-0187-00	B030000	B054244	RES,FXD,FILM:866 OHM,1%,0.125W,TC=T0	07716	CEAD866ROF
A38R6059	321-0187-00	B054245		RES,FXD,FILM:866 OHM,1%,0.125W,TC=T0	07716	CEAD866ROF
A38R6060	315-0221-00	B054245		RES,FXD,FILM:220 OHM,5%,0.25W	57668	NTR25J-E220E
A38R6062	311-2054-00			RES,VAR,NONWW:PNL,20K OHM,20%,0.5W	01121	WRA1A048S203M
A38R6076	315-0103-00	B030000	B054244	RES,FXD,FILM:10K OHM,5%,0.25W	19701	5043CX10K00J
A38R6082	321-0198-00	B030000	B054244	RES,FXD,FILM:1.13K OHM,1%,0.125W,TC=T0	07716	CEAD11300F
A38R6083	321-0250-00	B030000	B054244	RES,FXD,FILM:3.92K OHM,1%,0.125W,TC=T0	07716	CEAD39200F
A38R6101	321-0250-00	B054245		RES,FXD,FILM:3.92K OHM,1%,0.125W,TC=T0	07716	CEAD39200F
A38R6102	321-0198-00	B054245		RES,FXD,FILM:1.13K OHM,1%,0.125W,TC=T0	07716	CEAD11300F
A38R6104	311-2052-00			RES,VAR,NONWW:PNL,20K OHM,20%,0.5W	01121	WRA1A028S203M
A38R6106	311-2052-00			RES,VAR,NONWW:PNL,20K OHM,20%,0.5W	01121	WRA1A028S203M
A38S1023	263-0020-02			SWITCH PB ASSY:MOMENTARY	80009	263-0020-02
A38S1048	263-0020-01			SWITCH PB ASSY:MOMENTARY	80009	263-0020-01
A38S1054	263-0020-01			SWITCH PB ASSY:MOMENTARY	80009	263-0020-01
A38S1121	263-0020-01			SWITCH PB ASSY:MOMENTARY	80009	263-0020-01
A38S2014	263-0020-01			SWITCH PB ASSY:MOMENTARY	80009	263-0020-01
A38S2020	263-0020-02			SWITCH PB ASSY:MOMENTARY	80009	263-0020-02
A38S2035	263-0054-00	B030000	B054244	SWITCH,ROTARY:OPTICAL	80009	263-0054-00
A38S2035	263-0054-01	B054245	B055824	SWITCH,ROTARY:OPTICAL	80009	263-0054-01
A38S2035	263-0054-02	B055825		SWITCH,ROTARY:OPTICAL	80009	263-0054-02
A38S2056	263-0020-02	B030000	B054244	SWITCH PB ASSY:MOMENTARY	80009	263-0020-02
A38S2056	263-0020-01	B054245		SWITCH PB ASSY:MOMENTARY	80009	263-0020-01
A38S2122	263-0020-01			SWITCH PB ASSY:MOMENTARY	80009	263-0020-01
A38S2123	263-0020-01			SWITCH PB ASSY:MOMENTARY	80009	263-0020-01
A38S3035	263-0020-01			SWITCH PB ASSY:MOMENTARY	80009	263-0020-01
A38S3036	263-0020-01			SWITCH PB ASSY:MOMENTARY (OPTION 03 ONLY)	80009	263-0020-01
A38S3037	263-0020-01			SWITCH PB ASSY:MOMENTARY	80009	263-0020-01
A38S3038	263-0020-01			SWITCH PB ASSY:MOMENTARY	80009	263-0020-01
A38S3043	263-0020-01			SWITCH PB ASSY:MOMENTARY (OPTION 02 ONLY)	80009	263-0020-01
A38S3044	263-0020-01			SWITCH PB ASSY:MOMENTARY (OPTION 02 ONLY)	80009	263-0020-01
A38S3045	263-0020-01			SWITCH PB ASSY:MOMENTARY (OPTION 02 ONLY)	80009	263-0020-01

Component No.	Tektronix Part No.	Serial/Assembly No. Effective	Dscont	Name & Description	Mfr. Code	Mfr. Part No.
A38S3046	263-0020-01			SWITCH PB ASSY:MOMENTARY	80009	263-0020-01
A38S3047	263-0020-01			SWITCH PB ASSY:MOMENTARY	80009	263-0020-01
A38S3048	263-0020-01			SWITCH PB ASSY:MOMENTARY (OPTION 02 ONLY)	80009	263-0020-01
A38S3052	263-0020-01			SWITCH PB ASSY:MOMENTARY	80009	263-0020-01
A38S3053	263-0020-01			SWITCH PB ASSY:MOMENTARY	80009	263-0020-01
A38S3055	263-0020-01			SWITCH PB ASSY:MOMENTARY	80009	263-0020-01
A38S3122	263-0020-01			SWITCH PB ASSY:MOMENTARY	80009	263-0020-01
A38S3123	263-0020-01			SWITCH PB ASSY:MOMENTARY	80009	263-0020-01
A38S4046	263-0020-01			SWITCH PB ASSY:MOMENTARY (OPTION 02 ONLY)	80009	263-0020-01
A38S4052	263-0020-01			SWITCH PB ASSY:MOMENTARY (OPTION 02 ONLY)	80009	263-0020-01
A38S4122	263-0020-01			SWITCH PB ASSY:MOMENTARY	80009	263-0020-01
A38S4123	263-0020-01			SWITCH PB ASSY:MOMENTARY	80009	263-0020-01
A38S5050	263-0020-01			SWITCH PB ASSY:MOMENTARY	80009	263-0020-01
A38S5120	263-0020-01			SWITCH PB ASSY:MOMENTARY	80009	263-0020-01
A38S6052	263-0020-01			SWITCH PB ASSY:MOMENTARY	80009	263-0020-01
A38S6062	263-0020-01			SWITCH PB ASSY:MOMENTARY	80009	263-0020-01
A38U1011	156-0402-03	B030000	B054244	MICROCKT, LINEAR:TIMER, TESTED	27014	LM555CJ
A38U1024	156-0876-00	B054245		MICROCKT, DGTL:CMOS, HEX SCHMITT TRIGGER	27014	MM74C14 J OR N
A38U1047	156-0956-02	B030000	B054244	MICROCKT, DGTL:OCTAL BFR W/3 STATE OUT, SCRN	01295	SN74LS244NP3
A38U1049	156-0651-02	B054245		MICROCKT, DGTL:8-BIT PRL-OUT SER SHF RGTR	01295	SN74LS164NP3
A38U2013	156-0388-03	B054245		MICROCKT, DGTL:DUAL D FLIP-FLOP, SCRN	01295	SN74LS74ANP3
A38U2018	156-0388-03	B030000	B054244	MICROCKT, DGTL:DUAL D FLIP-FLOP, SCRN	01295	SN74LS74ANP3
A38U2020	156-0385-02	B054245		MICROCKT, DGTL:HEX INVERTER, SCRN	07263	74LS04PCQR
A38U2045	156-0651-02	B030000	B054244	MICROCKT, DGTL:8-BIT PRL-OUT SER SHF RGTR	01295	SN74LS164NP3
A38U3012	156-0382-02	B030000	B054244	MICROCKT, DGTL:QUAD 2 INP NAND GATE BURN	18324	N74LS00NB
A38U3013	156-0388-03	B054245		MICROCKT, DGTL:DUAL D FLIP-FLOP, SCRN	01295	SN74LS74ANP3
A38U3014	156-0720-02	B030000	B054244	MICROCKT, DGTL:HEX DRV, 4-TO-2 LINE ENABLE	01295	SN74LS368NP3
A38U3030	156-0651-02	B030000	B054244	MICROCKT, DGTL:8-BIT PRL-OUT SER SHF RGTR	01295	SN74LS164NP3
A38U3039	156-1153-00	B030000	B054244	MICROCKT, DGTL:MOS, KEYBOARD ENCODER, 90 KEY	27014	MM5740AAC/D
A38U3039	160-2357-00	B054245		MICROCKT, DGTL:8 BIT MICROCOMPUTER	80009	160-2357-00
A38U4014	156-0722-02	B054245		MICROCKT, DGTL:TRIPLE 3-INP NAND W/OC OUT	01295	SN74LS12NP3
A38U4015	156-0388-03	B030000	B054244	MICROCKT, DGTL:DUAL D FLIP-FLOP, SCRN	01295	SN74LS74ANP3
A38U4020	156-1207-00	B030000	B054244	MICROCKT, LINEAR:VOLTAGE REGULATOR, -12 V	04713	MC79L12ACG
A38U4021	156-1432-02	B054245		MICROCKT, DGTL:DUAL 2/4 LINE DECODER/DEMUX S CREENED	01295	SN74LS156 NP3
A38U4030	156-0956-02	B054245		MICROCKT, DGTL:OCTAL BFR W/3 STATE OUT, SCRN	01295	SN74LS244NP3
A38U4031	156-0469-02	B030000	B054244	MICROCKT, DGTL:3/8 LINE DCDR, SCRN	01295	SN74LS138NP3
A38U5021	156-1432-02	B054245		MICROCKT, DGTL:DUAL 2/4 LINE DECODER/DEMUX S CREENED	01295	SN74LS156 NP3
A38U5025	156-0876-00	B030000	B054244	MICROCKT, DGTL:CMOS, HEX SCHMITT TRIGGER	27014	MM74C14 J OR N
A38U5045	156-0651-02			MICROCKT, DGTL:8-BIT PRL-OUT SER SHF RGTR	01295	SN74LS164NP3
A38U6024	156-0469-02	B054245		MICROCKT, DGTL:3/8 LINE DCDR, SCRN	01295	SN74LS138NP3
A38U6025	156-0786-02	B030000	B054244	MICROCKT, DGTL:QUAD EXCLUSIVE OR GATE, SCRN	02735	CD4070BFX
A38U6028	156-0651-02	B054245		MICROCKT, DGTL:8-BIT PRL-OUT SER SHF RGTR	01295	SN74LS164NP3
A38U6045	156-0651-02	B054245		MICROCKT, DGTL:8-BIT PRL-OUT SER SHF RGTR	01295	SN74LS164NP3
A38U6075	156-0651-02	B030000	B054244	MICROCKT, DGTL:8-BIT PRL-OUT SER SHF RGTR	01295	SN74LS164NP3
A38U6081	156-0651-02	B054245		MICROCKT, DGTL:8-BIT PRL-OUT SER SHF RGTR	01295	SN74LS164NP3
A38U6090	156-1161-00			MICROCKT, LINEAR:VOLTAGE REGULATOR, POS, ADJ	12969	UC317T
A38Y3030	158-0185-00	B054245		XTAL UNIT, QTZ:6 MHZ, 0.015%, PAR	33096	CCAT101352
A40	670-5539-01	B030000	B049999	CIRCUIT BD ASSY:LEVELING	80009	670-5539-01
A40	670-5539-03	B050000		CIRCUIT BD ASSY:VIDEO PROCESSOR	80009	670-5539-03
A40C2016	285-1056-00			CAP, FXD, PLASTIC:1UF, 2%, 50V	14752	650B1A105G
A40C2051	283-0024-00			CAP, FXD, CER DI:0.1UF, +80-20%, 50V (OPTION 01 ONLY)	04222	SR215C104MAA
A40C2057	283-0024-00			CAP, FXD, CER DI:0.1UF, +80-20%, 50V	04222	SR215C104MAA

Replaceable Electrical Parts
 492/492P Service Vol. 2 (B030000 & Up)

Component No.	Tektronix Part No.	Serial/Assembly No.		Name & Description	Mfr. Code	Mfr. Part No.
		Effective	Dscont			
A40C2061	283-0024-00			CAP,FXD,CER DI:0.1UF,+80-20%,50V	04222	SR215C104MAA
A40C2066	283-0024-00			CAP,FXD,CER DI:0.1UF,+80-20%,50V	04222	SR215C104MAA
A40C2068	283-0024-00			CAP,FXD,CER DI:0.1UF,+80-20%,50V (OPTION 01 ONLY)	04222	SR215C104MAA
A40C3011	283-0024-00			CAP,FXD,CER DI:0.1UF,+80-20%,50V	04222	SR215C104MAA
A40C3015	283-0024-00			CAP,FXD,CER DI:0.1UF,+80-20%,50V	04222	SR215C104MAA
A40C3026	285-0597-00			CAP,FXD,PLASTIC:0.001UF,1%,100V	14752	410B1B102F
A40C3034	283-0024-00			CAP,FXD,CER DI:0.1UF,+80-20%,50V	04222	SR215C104MAA
A40C3035	283-0024-00			CAP,FXD,CER DI:0.1UF,+80-20%,50V	04222	SR215C104MAA
A40C3037	283-0024-00			CAP,FXD,CER DI:0.1UF,+80-20%,50V	04222	SR215C104MAA
A40C3042	290-0158-00	B030000	B049999	CAP,FXD,ELCLTL:50UF,+75-15%,25V	26769	40LW506B025U1A
A40C3042	290-0775-00	B050000		CAP,FXD,ELCLTL:1000UF,+100-10%,25V	80009	290-0775-00
A40C3045	283-0024-00			CAP,FXD,CER DI:0.1UF,+80-20%,50V	04222	SR215C104MAA
A40C3048	290-0261-00	B030000	B049999	CAP,FXD,ELCLTL:6.8UF,10%,35V	05397	T110B685K035AS
A40C3048	290-0745-00	B050000		CAP,FXD,ELCLTL:22UF,+50-20%,25WVDC	54473	ECE-A25V22L
A40C3052	290-0261-00	B030000	B049999	CAP,FXD,ELCLTL:6.8UF,10%,35V	05397	T110B685K035AS
A40C3052	290-0745-00	B050000		CAP,FXD,ELCLTL:22UF,+50-20%,25WVDC	54473	ECE-A25V22L
A40C3056	283-0024-00			CAP,FXD,CER DI:0.1UF,+80-20%,50V	04222	SR215C104MAA
A40C3058	283-0024-00			CAP,FXD,CER DI:0.1UF,+80-20%,50V	04222	SR215C104MAA
A40C3059	283-0024-00			CAP,FXD,CER DI:0.1UF,+80-20%,50V	04222	SR215C104MAA
A40C3062	283-0024-00			CAP,FXD,CER DI:0.1UF,+80-20%,50V	04222	SR215C104MAA
A40C4011	283-0024-00			CAP,FXD,CER DI:0.1UF,+80-20%,50V	04222	SR215C104MAA
A40C4014	283-0024-00			CAP,FXD,CER DI:0.1UF,+80-20%,50V	04222	SR215C104MAA
A40C4061	283-0644-00	B030000	B049999	CAP,FXD,MICA DI:150PF,1%,500V	00853	D155F151FO
A40CR2051	152-0141-02			SEMICONV DVC,DI:SW,S1,30V,150MA,30V,DO-35	03508	DA2527 (1N4152)
A40CR3045	152-0141-02			SEMICONV DVC,DI:SW,S1,30V,150MA,30V,DO-35	03508	DA2527 (1N4152)
A40CR4060	152-0141-02	B050000		SEMICONV DVC,DI:SW,S1,30V,150MA,30V,DO-35	03508	DA2527 (1N4152)
A40L4042	108-0881-00	B050000		COIL,RF:FIXED,40.1UH	80009	108-0881-00
A40L4052	108-0881-00			COIL,RF:FIXED,40.1UH	80009	108-0881-00
A40L4053	108-0881-00			COIL,RF:FIXED,40.1UH	80009	108-0881-00
A40Q3038	151-0261-00			TRANSISTOR:PMP,SI,TO-77	04713	SD441
A40Q4025	151-0224-00			TRANSISTOR:NPN,SI,TO-92	04713	SPS6917
A40Q4060	151-0302-00	B050000		TRANSISTOR:NPN,SI,TO-18	04713	ST899
A40R1012	311-1338-00	B050000		RES,VAR,NONWW:TRMR,20K OHM,0.75W	02111	43P203T672
A40R1013	311-1319-00			RES,VAR,NONWW:TRMR,10K OHM,0.5W	32997	3006P-W84-103
A40R1015	311-1319-00			RES,VAR,NONWW:TRMR,10K OHM,0.5W	32997	3006P-W84-103
A40R1019	311-1319-00			RES,VAR,NONWW:TRMR,10K OHM,0.5W	32997	3006P-W84-103
A40R1022	311-1319-00			RES,VAR,NONWW:TRMR,10K OHM,0.5W	32997	3006P-W84-103
A40R1024	311-1319-00			RES,VAR,NONWW:TRMR,10K OHM,0.5W	32997	3006P-W84-103
A40R1026	311-1319-00			RES,VAR,NONWW:TRMR,10K OHM,0.5W	32997	3006P-W84-103
A40R1028	311-1319-00			RES,VAR,NONWW:TRMR,10K OHM,0.5W	32997	3006P-W84-103
A40R1032	311-1319-00			RES,VAR,NONWW:TRMR,10K OHM,0.5W	32997	3006P-W84-103
A40R1034	311-1319-00			RES,VAR,NONWW:TRMR,10K OHM,0.5W	32997	3006P-W84-103
A40R1036	311-1319-00			RES,VAR,NONWW:TRMR,10K OHM,0.5W	32997	3006P-W84-103
A40R1038	311-1319-00			RES,VAR,NONWW:TRMR,10K OHM,0.5W	32997	3006P-W84-103
A40R1043	311-1319-00			RES,VAR,NONWW:TRMR,10K OHM,0.5W	32997	3006P-W84-103
A40R1045	311-1319-00			RES,VAR,NONWW:TRMR,10K OHM,0.5W	32997	3006P-W84-103
A40R1047	311-1319-00			RES,VAR,NONWW:TRMR,10K OHM,0.5W	32997	3006P-W84-103
A40R1051	311-1319-00			RES,VAR,NONWW:TRMR,10K OHM,0.5W	32997	3006P-W84-103
A40R1053	311-1319-00			RES,VAR,NONWW:TRMR,10K OHM,0.5W	32997	3006P-W84-103
A40R1057	311-1319-00			RES,VAR,NONWW:TRMR,10K OHM,0.5W	32997	3006P-W84-103
A40R1059	311-1319-00			RES,VAR,NONWW:TRMR,10K OHM,0.5W	32997	3006P-W84-103
A40R1061	311-1319-00			RES,VAR,NONWW:TRMR,10K OHM,0.5W	32997	3006P-W84-103
A40R1063	321-0166-00			RES,FXD,FILM:523 OHM,1%,0.125W,TC=TO	07716	CEAD523R0F
A40R1065	311-1339-00			RES,VAR,NONWW:TRMR,5K OHM,0.75W	02111	43P502T672
A40R1067	321-0360-00			RES,FXD,FILM:54.9K OHM,1%,0.125W,TC=TO	19701	5033ED54K90F
A40R1069	311-1319-00			RES,VAR,NONWW:TRMR,10K OHM,0.5W	32997	3006P-W84-103
A40R2021	321-0265-00			RES,FXD,FILM:5.62K OHM,1%,0.125W,TC=TO	19701	5043ED5K620F

Replaceable Electrical Parts
492/492P Service Vol. 2 (B030000 & Up)

Component No.	Tektronix Part No.	Serial/Assembly No. Effective	Discont	Name & Description	Mfr. Code	Mfr. Part No.
A40R2022	321-0361-00			RES, FXD, FILM: 56.2K OHM, 1%, 0.125W, TC=TO	07716	CEAD56201F
A40R2023	321-0452-00			RES, FXD, FILM: 499K OHM, 1%, 0.125W, TC=TO	19701	5043ED499K0F
A40R2051	321-0231-00			RES, FXD, FILM: 2.49K OHM, 1%, 0.125W, TC=TO	19701	5033ED2K49F
A40R2053	321-0097-00			RES, FXD, FILM: 100 OHM, 1%, 0.125W, TC=TO	91637	CMF55116G100R0F
A40R2054	321-0318-00			RES, FXD, FILM: 20.0K OHM, 1%, 0.125W, TC=TO	19701	5033ED20K00F
A40R2055	321-0289-00			RES, FXD, FILM: 10.0K OHM, 1%, 0.125W, TC=TO	19701	5033ED10K0F
A40R2056	321-0277-00			RES, FXD, FILM: 7.50K OHM, 1%, 0.125W, TC=TO	24546	NA55D7501F
A40R2057	321-0362-00			RES, FXD, FILM: 57.6K OHM, 1%, 0.125W, TC=TO	19701	5043ED57K60F
A40R2058	321-0264-00			RES, FXD, FILM: 5.49K OHM, 1%, 0.125W, TC=TO	07716	CEAD54900C
A40R2064	315-0101-00			RES, FXD, FILM: 100 OHM, 5%, 0.25W	57668	NTR25J-E 100E
A40R2066	321-0327-00			RES, FXD, FILM: 24.9K OHM, 1%, 0.125W, TC=TO	07716	CEAD24901F
A40R3011	321-0304-00			RES, FXD, FILM: 14.3K OHM, 1%, 0.125W, TC=TO	19701	5033ED14K30F
A40R3012	321-0308-00			RES, FXD, FILM: 15.8K OHM, 1%, 0.125W, TC=TO	07716	CEAD 15801F
A40R3022	315-0122-00			RES, FXD, FILM: 1.2K OHM, 5%, 0.25W	57668	NTR25J-E01K2
A40R3024	315-0512-00			RES, FXD, FILM: 5.1K OHM, 5%, 0.25W	57668	NTR25J-E05K1
A40R3025	315-0512-00			RES, FXD, FILM: 5.1K OHM, 5%, 0.25W	57668	NTR25J-E05K1
A40R3026	321-0289-00			RES, FXD, FILM: 10.0K OHM, 1%, 0.125W, TC=TO	19701	5043CX10K00J
A40R3028	321-0298-00			RES, FXD, FILM: 12.4K OHM, 1%, 0.125W, TC=TO	07716	CEAD12401F
A40R3046	321-0318-00			RES, FXD, FILM: 20.0K OHM, 1%, 0.125W, TC=TO	19701	5033ED20K00F
A40R3053	315-0101-00			RES, FXD, FILM: 100 OHM, 5%, 0.25W	57668	NTR25J-E 100E
A40R3058	315-0101-00			RES, FXD, FILM: 100 OHM, 5%, 0.25W	57668	NTR25J-E 100E
A40R3059	315-0101-00			RES, FXD, FILM: 100 OHM, 5%, 0.25W	57668	NTR25J-E 100E
A40R3064	315-0152-00			RES, FXD, FILM: 1.5K OHM, 5%, 0.25W	57668	NTR25J-E01K5
A40R3065	315-0103-00	B030000	B049999	RES, FXD, FILM: 10K OHM, 5%, 0.25W	19701	5043CX10K00J
A40R3065	315-0303-00	B050000		RES, FXD, FILM: 30K OHM, 5%, 0.25W	19701	5043CX30K00J
A40R4011	321-0289-00			RES, FXD, FILM: 10.0K OHM, 1%, 0.125W, TC=TO	19701	5033ED10K0F
A40R4012	321-0289-00			RES, FXD, FILM: 10.0K OHM, 1%, 0.125W, TC=TO	19701	5033ED10K0F
A40R4013	321-0335-00			RES, FXD, FILM: 30.1K OHM, 1%, 0.125W, TC=TO	57668	RB14FXE30K1
A40R4014	321-0335-00			RES, FXD, FILM: 30.1K OHM, 1%, 0.125W, TC=TO	57668	RB14FXE30K1
A40R4015	321-0328-00			RES, FXD, FILM: 25.5K OHM, 1%, 0.125W, TC=TO	19701	5043ED25K50F
A40R4017	321-0308-00			RES, FXD, FILM: 15.8K OHM, 1%, 0.125W, TC=TO	07716	CEAD 15801F
A40R4018	321-0304-00			RES, FXD, FILM: 14.3K OHM, 1%, 0.125W, TC=TO	19701	5033ED14K30F
A40R4022	315-0162-00			RES, FXD, FILM: 1.6K OHM, 5%, 0.25W	19701	5043CX1K600J
A40R4023	321-0318-00	B030000	B049999	RES, FXD, FILM: 20.0K OHM, 1%, 0.125W, TC=TO	19701	5033ED20K00F
A40R4023	321-0816-00	B050000		RES, FXD, FILM: 5K OHM, 1%, 0.125W, TC=TO	24546	NA55D5001F
A40R4024	321-0304-00			RES, FXD, FILM: 14.3K OHM, 1%, 0.125W, TC=TO	19701	5033ED14K30F
A40R4025	315-0104-00			RES, FXD, FILM: 100K OHM, 5%, 0.25W	57668	NTR25J-E100K
A40R4046	321-0289-00			RES, FXD, FILM: 10.0K OHM, 1%, 0.125W, TC=TO	19701	5033ED10K0F
A40R4060	315-0471-00	B050000		RES, FXD, FILM: 470 OHM, 5%, 0.25W	57668	NTR25J-E470E
A40R4065	315-0104-00			RES, FXD, FILM: 100K OHM, 5%, 0.25W	57668	NTR25J-E100K
A40R4065	315-0104-00			RES, FXD, FILM: 100K OHM, 5%, 0.25W	57668	NTR25J-E100K
A40R4066	315-0104-00			RES, FXD, FILM: 100K OHM, 5%, 0.25W	57668	NTR25J-E100K
A40R4067	315-0104-00			RES, FXD, FILM: 100K OHM, 5%, 0.25W	57668	NTR25J-E100K
A40R4068	315-0241-00	B050000		RES, FXD, FILM: 240 OHM, 5%, 0.25W	19701	5043CX240R0J
A40U2015	156-1211-00			MICROCKT, INTFC: QUAD SPST SWITCH, 2NC, 2NO	27014	LF13333N
A40U2039	155-0106-00			MICROCKT, DGTL: NORMAL CKT	80009	155-0106-00
A40U2055	156-0158-04			MICROCKT, LINEAR: DUAL OPNL AMPL	01295	MC1458JG
A40U2066	156-0770-00			MICROCKT, LINEAR: OPNL AMPL	27014	LF356H
A40U3015	156-0570-00			MICROCKT, LINEAR: DUAL COMPARETOR	27014	LM319H
A40U3025	156-1211-00			MICROCKT, INTFC: QUAD SPST SWITCH, 2NC, 2NO	27014	LF13333N
A40U3035	156-0913-02			MICROCKT, DGTL: OCTAL D FF W/ENABLE, SCRNL	01295	SN74LS377NP3
A40U3040	156-0469-02			MICROCKT, DGTL: 3/8 LINE DCCR, SCRNL	01295	SN74LS138NP3
A40U3045	156-0158-04			MICROCKT, LINEAR: DUAL OPNL AMPL	01295	MC1458JG
A40U3062	156-0770-00			MICROCKT, LINEAR: OPNL AMPL	27014	LF356H
A40U3063	156-1211-00			MICROCKT, INTFC: QUAD SPST SWITCH, 2NC, 2NO	27014	LF13333N
A40VR3011	152-0662-00			SEMICONDC DVC, DI: ZEN, SI, 5V, 1%, 400MW, DO-7	04713	SZG195RL
A40VR4011	152-0662-00			SEMICONDC DVC, DI: ZEN, SI, 5V, 1%, 400MW, DO-7	04713	SZG195RL
A42	670-5552-03	B030000	B055766	CIRCUIT BD ASSY: PRESELECTOR DRIVER	80009	670-5552-03

Replaceable Electrical Parts
492/492P Service Vol. 2 (B030000 & Up)

Component No.	Tektronix Part No.	Serial/Assembly No. Effective	Discont	Name & Description	Mfr. Code	Mfr. Part No.
A42	670-5552-05	B055767		(OPTION 01 ONLY) CIRCUIT BD ASSY: PRESELECTOR DRIVER (OPTION 01 ONLY)	80009	670-5552-05
A42C2026	283-0070-00			CAP, FXD, CER DI: 30PF, 10%, 50V	51642	200-050-NPO-300K
A42C2045	283-0070-00			CAP, FXD, CER DI: 30PF, 10%, 50V	51642	200-050-NPO-300K
A42C2065	283-0330-00			CAP, FXD, CER DI: 100PF, 5%, 50V	05397	C320C101J5R5CA
A42C3021	283-0190-00			CAP, FXD, CER DI: 0.47UF, 5%, 50V	04222	SR305C474JAA
A42C3028	283-0111-00			CAP, FXD, CER DI: 0.1UF, 20%, 50V	05397	C330C104M5U1CA
A42C3043	283-0004-00			CAP, FXD, CER DI: 0.02UF, +80-20%, 150V	59660	855-558Z5V0203Z
A42C3048	283-0051-00			CAP, FXD, CER DI: 0.0033UF, 5%, 100V	04222	SR301A332JAA
A42C3052	283-0070-00			CAP, FXD, CER DI: 30PF, 10%, 50V	51642	200-050-NPO-300K
A42C3061	283-0111-00			CAP, FXD, CER DI: 0.1UF, 20%, 50V	05397	C330C104M5U1CA
A42C4038	283-0111-00			CAP, FXD, CER DI: 0.1UF, 20%, 50V	05397	C330C104M5U1CA
A42C4041	290-0718-00			CAP, FXD, ELCTLT: 22UF, 20%, 35V	56289	196D226X0035PE4
A42C4044	290-0718-00			CAP, FXD, ELCTLT: 22UF, 20%, 35V	56289	196D226X0035PE4
A42C4061	290-0158-00			CAP, FXD, ELCTLT: 50UF, +75-15%, 25V	26769	40LW506B025U1A
A42C4071	290-0513-00	B030000	B055766	CAP, FXD, ELCTLT: 510UF, +75-10%, 25V	26769	40EW517C015U1A
A42C4071	290-0209-00	B055767		CAP, FXD, ELCTLT: 50UF, +75-10%, 25V	56289	30D506G025CC9
A42C5026	283-0111-00			CAP, FXD, CER DI: 0.1UF, 20%, 50V	05397	C330C104M5U1CA
A42C5041	290-0718-00			CAP, FXD, ELCTLT: 22UF, 20%, 35V	56289	196D226X0035PE4
A42C5046	290-0718-00			CAP, FXD, ELCTLT: 22UF, 20%, 35V	56289	196D226X0035PE4
A42C5051	290-0755-00			CAP, FXD, ELCTLT: 100UF, +50%-20%, 10WVDC	54473	ECE-A10V100L
A42C5061	283-0111-00			CAP, FXD, CER DI: 0.1UF, 20%, 50V	05397	C330C104M5U1CA
A42CR1020	152-0141-02			SEMICON DVC, DI: SW, SI, 30V, 150MA, 30V, DO-35	03508	DA2527 (1N4152)
A42CR1021	152-0141-02			SEMICON DVC, DI: SW, SI, 30V, 150MA, 30V, DO-35	03508	DA2527 (1N4152)
A42CR2065	152-0322-00			SEMICON DVC, DI: SCHOTTKY, SI, 15V, DO-35	50434	5082-2672
A42CR2077	152-0322-00			SEMICON DVC, DI: SCHOTTKY, SI, 15V, DO-35	50434	5082-2672
A42CR2078	152-0322-00			SEMICON DVC, DI: SCHOTTKY, SI, 15V, DO-35	50434	5082-2672
A42CR3061	152-0322-00			SEMICON DVC, DI: RECT, SI, 800V, 1W	05828	GP10K-014
A42CR3073	152-0353-00			SEMICON DVC, DI: SW, SI, 30V, 150MA, 30V, DO-35	03508	DA2527 (1N4152)
A42CR4012	152-0141-02			SEMICON DVC, DI: SW, SI, 30V, 150MA, 30V, DO-35	03508	DA2527 (1N4152)
A42CR4013	152-0141-02			SEMICON DVC, DI: SW, SI, 30V, 150MA, 30V, DO-35	03508	DA2527 (1N4152)
A42CR4032	152-0322-00			SEMICON DVC, DI: SCHOTTKY, SI, 15V, DO-35	50434	5082-2672
A42CR4061	152-0333-00			SEMICON DVC, DI: SW, SI, 55V, 200MA, DO-35	07263	FDH-6012
A42L4056	108-0881-00			COIL, RF: FIXED, 40.1UH	80009	108-0881-00
A42L5051	108-0881-00			COIL, RF: FIXED, 40.1UH	80009	108-0881-00
A42Q1011	151-0301-00			TRANSISTOR: PNP, SI, TO-18	04713	ST898
A42Q1022	151-1022-00			TRANSISTOR: FET, N-CHAN, SI, TO-18	80009	151-1022-00
A42Q1024	151-1022-00			TRANSISTOR: FET, N-CHAN, SI, TO-18	80009	151-1022-00
A42Q2034	151-1022-00			TRANSISTOR: FET, N-CHAN, SI, TO-18	80009	151-1022-00
A42Q2036	151-1022-00			TRANSISTOR: FET, N-CHAN, SI, TO-18	80009	151-1022-00
A42Q2074	151-1022-00			TRANSISTOR: FET, N-CHAN, SI, TO-18	80009	151-1022-00
A42Q3025	151-0290-00			TRANSISTOR: NPN, SI, TO-39	80009	151-0290-00
A42Q3061	151-1045-00			TRANSISTOR: FET, P-CHAN, SI, TO-92	04713	SPS628
A42Q3077	151-1066-00			TRANSISTOR: FET, P-CHAN, SI, TO-92	04713	SPF3038
A42Q4025	151-0134-00			TRANSISTOR: PNP, SI, TO-39	04713	SM3195
A42Q4037	151-0301-00			TRANSISTOR: PNP, SI, TO-18	04713	ST898
A42Q5052	151-0429-00			TRANSISTOR: PNP, SI, TO-126	04713	SJE957
A42R1013	315-0273-00			RES, FXD, FILM: 27K OHM, 5%, 0.25W	57668	NTR25J-E27K0
A42R1017	321-0363-00			RES, FXD, FILM: 59.0K OHM, 1%, 0.125W, TC=TO	07716	CEAD59001F
A42R1018	321-0376-00			RES, FXD, FILM: 80.6K OHM, 1%, 0.125W, TC=TO	19701	5043ED80K60F
A42R1019	315-0105-00			RES, FXD, FILM: 1M OHM, 5%, 0.25W	19701	5043CX1M000J
A42R1021	321-1654-07			RES, FXD, FILM: 651K OHM, 0.1%, 0.125W, TC=T9	19701	5033RE651K0B
A42R1022	325-0322-00			RES, FXD, FILM: 26.35K OHM, 0.1%, 0.3W	07088	K747 26.35 KOHM
A42R1023	325-0321-00			RES, FXD, FILM: 50.87K OHM, 0.05%, 0.3W	07088	K747 50.87 KOHM
A42R1024	325-0320-00			RES, FXD, FILM: 7.532K OHM, 0.05%, 0.3W	07088	K747 7.532 KOHM
A42R1025	321-0450-01			RES, FXD, FILM: 475K OHM, 0.5%, 0.125W, TC=TO MI	24546	NA55D4753D
A42R1026	325-0317-00			RES, FXD, FILM: 84.9K OHM, 0.1%, 0.3W	07088	K747 84.9 KOHM

Component No.	Tektronix		Serial/Assembly No. Effective Dscnt	Name & Description	Mfr. Code	Mfr. Part No.
	Part No.					
A42R1027	315-0105-00			RES,FXD,FILM:1M OHM,5%,0.25W	19701	5043CX1M000J
A42R1031	311-1319-00			RES,VAR,NONWV:TRMR,10K OHM,0.5W	32997	3006P-W84-103
A42R1032	325-0319-00			RES,FXD,FILM:100K OHM,0.1%,0.3W	07088	K747 100.0 KOHM
A42R1033	321-0414-00			RES,FXD,FILM:200K OHM,1%,0.125W,TC=TO	07716	CEAD20002F
A42R1034	315-0105-00			RES,FXD,FILM:1M OHM,5%,0.25W	19701	5043CX1M000J
A42R1035	321-0510-00			RES,FXD,FILM:2.00M OHM,1%,0.125W,TC=TO	03888	PME55D20003F
A42R1036	321-1653-04			RES,FXD,FILM:2.25M OHM,0.1%,0.125W,TC=T2	91637	CMF55116D22503B
A42R1037	321-0405-00			RES,FXD,FILM:162K OHM,1%,0.125W,TC=TO	07716	CEAD16202F
A42R1045	311-1319-00			RES,VAR,NONWV:TRMR,10K OHM,0.5W	32997	3006P-W84-103
A42R1049	311-1319-00			RES,VAR,NONWV:TRMR,10K OHM,0.5W	32997	3006P-W84-103
A42R1052	311-1337-00			RES,VAR,NONWV:TRMR,25K OHM,0.5W	32997	3006P-W84-253
A42R1054	311-1337-00			RES,VAR,NONWV:TRMR,25K OHM,0.5W	32997	3006P-W84-253
A42R1056	311-1337-00			RES,VAR,NONWV:TRMR,25K OHM,0.5W	32997	3006P-W84-253
A42R1061	311-1319-00			RES,VAR,NONWV:TRMR,10K OHM,0.5W	32997	3006P-W84-103
A42R1063	311-1337-00			RES,VAR,NONWV:TRMR,25K OHM,0.5W	32997	3006P-W84-253
A42R1064	311-1337-00			RES,VAR,NONWV:TRMR,25K OHM,0.5W	32997	3006P-W84-253
A42R1065	311-1337-00			RES,VAR,NONWV:TRMR,25K OHM,0.5W	32997	3006P-W84-253
A42R1073	325-0318-00			RES,FXD,FILM:95.7K OHM,0.5%,0.3W	07088	K747 95.7 KOHM
A42R1074	321-1652-04			RES,FXD,FILM:375K OHM,0.1%,0.125W,TC=T2	91637	MFF1816D37502B
A42R1075	325-0325-00			RES,FXD,FILM:35.97K OHM,0.1%,0.3W	07088	K747 35.97 KOHM
A42R1076	325-0328-00			RES,FXD,FILM:141K OHM,1%,0.5W	18612	A104D 141KOHM 1%
A42R2012	315-0473-00			RES,FXD,FILM:47K OHM,5%,0.25W	57668	NTR25J-E47K0
A42R2013	315-0473-00			RES,FXD,FILM:47K OHM,5%,0.25W	57668	NTR25J-E47K0
A42R2014	321-0289-00			RES,FXD,FILM:10.0K OHM,1%,0.125W,TC=TO	19701	5033ED10K0F
A42R2015	321-0771-01			RES,FXD,FILM:50 OHM,0.5%,0.125W,TC=TO	57668	RB14DXE 50E
A42R2021	325-0324-00			RES,FXD,FILM:50K OHM,0.1%,0.3W	07088	K747 50.0 KOHM
A42R2022	315-0105-00			RES,FXD,FILM:1M OHM,5%,0.25W	19701	5043CX1M000J
A42R2027	321-0319-00			RES,FXD,FILM:20.5K OHM,1%,0.125W,TC=TO	19701	5033ED20K50F
A42R2036	321-0347-00			RES,FXD,FILM:40.2K OHM,1%,0.125W,TC=TO	91637	CMF55116G40201F
A42R2062	321-0753-06			RES,FXD,FILM:9K OHM,0.25%,0.125W,TC=T2	07716	CEAE90000C
A42R2063	321-0753-06			RES,FXD,FILM:9K OHM,0.25%,0.125W,TC=T2	07716	CEAE90000C
A42R2064	315-0105-00			RES,FXD,FILM:1M OHM,5%,0.25W	19701	5043CX1M000J
A42R2066	311-1264-00			RES,VAR,NONWV:TRMR,1.5K OHM,0.5W	32997	3329P-L58-152
A42R2069	321-0441-00			RES,FXD,FILM:383K OHM,1%,0.125W,TC=TO	19701	5043ED383K0F
A42R2072	321-0449-00			RES,FXD,FILM:464K OHM,1%,0.125W,TC=TO	19701	5043ED464K0F
A42R2073	321-0891-00			RES,FXD,FILM:800K OHM,1%,0.125W,TC=TO	19701	5043ED800K0F
A42R2074	321-0415-00			RES,FXD,FILM:205K OHM,1%,0.125W,TC=TO	07716	CEAD20502F
A42R2075	321-0995-00			RES,FXD,FILM:549K OHM,1%,0.125W,TC=TO	24546	NA55D5493F
A42R2077	321-0432-00			RES,FXD,FILM:309K OHM,1%,0.125W,TC=TO	07716	CEAD30902F
A42R2078	321-0441-00			RES,FXD,FILM:383K OHM,1%,0.125W,TC=TO	19701	5043ED383K0F
A42R3011	315-0103-00			RES,FXD,FILM:10K OHM,5%,0.25W	19701	5043CX10K00J
A42R3012	315-0102-00			RES,FXD,FILM:1K OHM,5%,0.25W	57668	NTR25JE01K0
A42R3013	315-0102-00			RES,FXD,FILM:1K OHM,5%,0.25W	57668	NTR25JE01K0
A42R3014	321-0460-00			RES,FXD,FILM:604K OHM,1%,0.125W,TC=TO	07716	CEAD60402F
A42R3021	321-0356-00			RES,FXD,FILM:49.9K OHM,1%,0.125W,TC=TO	19701	5033ED49K90F
A42R3028	315-0101-00			RES,FXD,FILM:100 OHM,5%,0.25W	57668	NTR25J-E 100E
A42R3041	325-0316-00			RES,FXD,FILM:57.55K OHM,0.1%,0.3W	07088	K747 57.55 KOHM
A42R3042	315-0102-00			RES,FXD,FILM:1K OHM,5%,0.25W	57668	NTR25JE01K0
A42R3043	315-0202-00			RES,FXD,FILM:2K OHM,5%,0.25W	57668	NTR25J-E 2K
A42R3044	321-0434-00			RES,FXD,FILM:324K OHM,1%,0.125W,TC=TO	07716	CEAD32402F
A42R3045	321-0891-00			RES,FXD,FILM:800K OHM,1%,0.125W,TC=TO	19701	5043ED800K0F
A42R3046	325-0319-00			RES,FXD,FILM:100K OHM,0.1%,0.3W	07088	K747 100.0 KOHM
A42R3047	315-0102-00			RES,FXD,FILM:1K OHM,5%,0.25W	57668	NTR25JE01K0
A42R3048	131-0566-00			BUS.CONDUCTOR:DUMMY RES,0.094 OD X 0.225 L	24546	OMA 07
A42R3052	325-0315-00			RES,FXD,FILM:20K OHM,0.05%,0.3W	07088	K747 20KOHM .05%
A42R3053	325-0315-00			RES,FXD,FILM:20K OHM,0.05%,0.3W	07088	K747 20KOHM .05%
A42R3054	321-0320-00			RES,FXD,FILM:21.0K OHM,1%,0.125W,TC=TO	19701	5033ED21K00F
A42R3055	321-0284-00			RES,FXD,FILM:8.87K OHM,1%,0.125W,TC=TO	19701	5043ED8K870F

Replaceable Electrical Parts
492/492P Service Vol. 2 (B030000 & Up)

Component No.	Tektronix Part No.	Serial/Assembly No. Effective	Dscont	Name & Description	Mfr. Code	Mfr. Part No.
A42R3056	321-0357-03			RES,FXD,FILM:51.1K OHM,0.25%,0.125W,TC=T2	07716	CEAC51101C
A42R3061	321-0451-00			RES,FXD,FILM:487K OHM,1%,0.125W,TC=T0	19701	5043ED487K0F
A42R3072	315-0222-00			RES,FXD,FILM:2.2K OHM,5%,0.25W	57668	NTR25J-E02K2
A42R4011	315-0103-00			RES,FXD,FILM:10K OHM,5%,0.25W	19701	5043CX10K00J
A42R4013	321-0440-00			RES,FXD,FILM:374K OHM,1%,0.125W,TC=T0	07716	CEAD37402F
A42R4014	321-0642-00			RES,FXD,FILM:20.3K OHM,0.25%,0.125W,T=T9	19701	5033RE20K30C
A42R4016	315-0113-00			RES,FXD,FILM:11K OHM,5%,0.25W	19701	5043CX11K00J
A42R4030	315-0202-00			RES,FXD,FILM:2K OHM,5%,0.25W	57668	NTR25J-E 2K
A42R4031	315-0104-00			RES,FXD,FILM:100K OHM,5%,0.25W	57668	NTR25J-E100K
A42R4032	315-0273-00			RES,FXD,FILM:27K OHM,5%,0.25W	57668	NTR25J-E27K0
A42R4040	315-0473-00			RES,FXD,FILM:47K OHM,5%,0.25W	57668	NTR25J-E47K0
A42R4041	315-0470-00			RES,FXD,FILM:47 OHM,5%,0.25W	57668	NTR25J-E47E0
A42R4042	315-0470-00			RES,FXD,FILM:47 OHM,5%,0.25W	57668	NTR25J-E47E0
A42R4043	315-0470-00			RES,FXD,FILM:47 OHM,5%,0.25W	57668	NTR25J-E47E0
A42R4044	315-0470-00			RES,FXD,FILM:47 OHM,5%,0.25W	57668	NTR25J-E47E0
A42R4048	315-0105-00			RES,FXD,FILM:1M OHM,5%,0.25W	19701	5043CX1M000J
A42R4049	310-0705-00			RES,FXD,WW:3 OHM 0.25%,2W,TC=5PPM/DEG C	80009	310-0705-00
A42R4051	321-0238-00			RES,FXD,FILM:2.94K OHM,1%,0.125W,TC=T0	07716	CEAD29400F
A42R4052	321-0265-00			RES,FXD,FILM:5.62K OHM,1%,0.125W,TC=T0	19701	5043ED5K620F
A42R4054	315-0102-00			RES,FXD,FILM:1K OHM,5%,0.25W	57668	NTR25JE01K0
A42R4063	315-0512-00			RES,FXD,FILM:5.1K OHM,5%,0.25W	57668	NTR25J-E05K1
A42R4064	315-0101-00			RES,FXD,FILM:100 OHM,5%,0.25W	57668	NTR25J-E 100E
A42R5015	315-0242-00			RES,FXD,FILM:2.4K OHM,5%,0.25W	57668	NTR25J-E02K4
A42R5064	315-0103-00			RES,FXD,FILM:10K OHM,5%,0.25W	19701	5043CX10K00J
A42R5065	315-0755-00			RES,FXD,FILM:7.5M OHM,5%,0.25W	19701	5043CX7M500J
A42R5066	315-0475-00			RES,FXD,FILM:4.7M OHM,5%,0.25W	01121	CB4755
A42U1011	156-0158-04			MICROCKT,LINAR:DUAL OPNL AMPL	01295	MC1458JG
A42U1067	156-0937-00			MICROCKT,LINAR:VOLTAGE REFERENCE	24355	AD580LH
A42U2028	156-0512-02	B030000	B041473	MICROCKT,LINAR:OPNL AMPL,SELECTED (492 ONLY)	04713	LM308J-8DS
A42U2028	156-0512-03	B041474		MICROCKT,LINAR:OPNL AMPL (492 ONLY)	04713	LM308J-8
A42U2028	156-0512-02	B030000	B041669	MICROCKT,LINAR:OPNL AMPL,SELECTED (492P ONLY)	04713	LM308J-8DS
A42U2028	156-0512-03	B041670		MICROCKT,LINAR:OPNL AMPL (492P ONLY)	04713	LM308J-8
A42U2045	156-0512-02	B030000	B041473	MICROCKT,LINAR:OPNL AMPL,SELECTED (492 ONLY)	04713	LM308J-8DS
A42U2045	156-0512-03	B041474		MICROCKT,LINAR:OPNL AMPL (492 ONLY)	04713	LM308J-8
A42U2045	156-0512-02	B030000	B041669	MICROCKT,LINAR:OPNL AMPL,SELECTED (492P ONLY)	04713	LM308J-8DS
A42U2045	156-0512-03	B041670		MICROCKT,LINAR:OPNL AMPL (492P ONLY)	04713	LM308J-8
A42U2047	156-0512-02	B030000	B041473	MICROCKT,LINAR:OPNL AMPL,SELECTED (492 ONLY)	04713	LM308J-8DS
A42U2047	156-0512-03	B041474		MICROCKT,LINAR:OPNL AMPL (492 ONLY)	04713	LM308J-8
A42U2047	156-0512-02	B030000	B041669	MICROCKT,LINAR:OPNL AMPL,SELECTED (492P ONLY)	04713	LM308J-8DS
A42U2047	156-0512-03	B041670		MICROCKT,LINAR:OPNL AMPL (492P ONLY)	04713	LM308J-8
A42U2054	156-0420-00			MICROCKT,LINAR:OPNL AMPL	27014	LM321H
A42U3054	156-0512-02	B030000	B041473	MICROCKT,LINAR:OPNL AMPL,SELECTED (492 ONLY)	04713	LM308J-8DS
A42U3054	156-0512-03	B041474		MICROCKT,LINAR:OPNL AMPL (492 ONLY)	04713	LM308J-8
A42U3054	156-0512-02	B030000	B041669	MICROCKT,LINAR:OPNL AMPL,SELECTED (492P ONLY)	04713	LM308J-8DS
A42U3054	156-0512-03	B041470		MICROCKT,LINAR:OPNL AMPL (492P ONLY)	04713	LM308J-8

Replaceable Electrical Parts
492/492P Service Vol. 2 (B030000 & Up)

Component No.	Tektronix Part No.	Serial/Assembly No. Effective	Discont	Name & Description	Mfr. Code	Mfr. Part No.
A42U4061	156-0385-02			MICROCKT,DGTL:HEX INVERTER,SCRN	07263	74LS04PCQR
A42U5022	156-0411-00			MICROCKT,LINEAR:SGL SPLY COMPARATOR	04713	LM339N
A42U5031	156-0913-02			MICROCKT,DGTL:OCTAL D FF W/ENABLE,SCRN	01295	SN74LS377NP3
A42U5036	156-0469-02			MICROCKT,DGTL:3/8 LINE DCDR,SCRN	01295	SN74LS138NP3
A42VR3011	152-0265-00			SEMICONDC DVC,DI:ZEN,SI,24V,5%,0.4W	14552	TD3810986
A42VR3012	152-0281-00			SEMICONDC DVC,DI:ZEN,SI,22V,5%,0.4W,DO-7	12954	1N969B/DO-35
A42VR3061	152-0514-00			SEMICONDC DVC,DI:ZEN,SI,10V,1%,0.4W,DO-7	04713	SZ615RL
A42VR3074	152-0120-00			SEMICONDC DVC,DI:ZEN,SI,10V,5%,1W,A31A	04713	SZ1619
A42W3048	131-0556-00			CONN,RCPT,ELEC:12 CONTACT FEMALE	80009	131-0556-00
A44	670-5551-03	B030000	B041844	CIRCUIT BD ASSY:1ST LO DRIVER	80009	670-5551-03
A44	670-5551-04	B041845	B042699	CIRCUIT BD ASSY:1ST LO DRIVER	80009	670-5551-04
A44	670-5551-05	B042700	B054836	CIRCUIT BD ASSY:1ST LO DRIVER	80009	670-5551-05
A44	670-5551-06	B054837		CIRCUIT BD ASSY:1ST LO DRIVER	80009	670-5551-06
A44C1011	283-0203-00			CAP,FXD,CER DI:0.47UF,20%,50V	04222	SR305SC474MAA
A44C1018	283-0203-00			CAP,FXD,CER DI:0.47UF,20%,50V	04222	SR305SC474MAA
A44C1020	283-0326-00			CAP,FXD,CER DI:0.082UF,10%,50V	51406	RPE111X7R823K50V
A44C1029	283-0326-00			CAP,FXD,CER DI:0.082UF,10%,50V	51406	RPE111X7R823K50V
A44C2011	290-0804-00			CAP,FXD,ELCTLT:10UF,+50-10%,25V	55680	ULB1E100TAANA
A44C2017	283-0326-00			CAP,FXD,CER DI:0.082UF,10%,50V	51406	RPE111X7R823K50V
A44C2018	283-0330-00			CAP,FXD,CER DI:100PF,5%,50V	05397	C320C101J5R5CA
A44C2019	290-0804-00			CAP,FXD,ELCTLT:10UF,+50-10%,25V	55680	ULB1E100TAANA
A44C2021	283-0176-00			CAP,FXD,CER DI:0.0022UF,20%,50V	04222	SR205C222MAA
A44C2022	283-0326-00			CAP,FXD,CER DI:0.082UF,10%,50V	51406	RPE111X7R823K50V
A44C2025	290-0301-00			CAP,FXD,ELCTLT:10UF,10%,20V	05397	T110B106K020AS
A44C2026	283-0326-00			CAP,FXD,CER DI:0.082UF,10%,50V	51406	RPE111X7R823K50V
A44C2032	283-0060-00			CAP,FXD,CER DI:100PF,5%,200V	59660	855-535U2J101J
A44C2042	283-0065-00	B041845		CAP,FXD,CER DI:0.001UF,5%,100V	59660	0835-591Y5E0102J
A44C2043	283-0213-00	B041845		CAP,FXD,CER DI:300PF,5%,100V	04222	3429-100A-301J
A44C2044	283-0198-00			CAP,FXD,CER DI:0.22UF,20%,50V	05397	C330C224M5U1CA
A44C2045	283-0005-00			CAP,FXD,CER DI:0.01UF,+100-0%,250V	04222	SR303E103ZAA
A44C2046	283-0060-00			CAP,FXD,CER DI:100PF,5%,200V	59660	855-535U2J101J
A44C2048	283-0212-00			CAP,FXD,CER DI:2UF,20%,50V	04222	SR405E205MAA
A44C2050	283-0195-00			CAP,FXD,CER DI:680PF,5%,50V	04222	SR205A681JAA
A44C2051	283-0005-00			CAP,FXD,CER DI:0.01UF,+100-0%,250V	04222	SR303E103ZAA
A44C2054	283-0060-00			CAP,FXD,CER DI:100PF,5%,200V	59660	855-535U2J101J
A44C2056	290-0302-00			CAP,FXD,ELCTLT:100UF,10%,20V	05397	T110D107K020MS
A44C3013	283-0326-00			CAP,FXD,CER DI:0.082UF,10%,50V	51406	RPE111X7R823K50V
A44C3019	283-0111-00			CAP,FXD,CER DI:0.1UF,20%,50V	05397	C330C104M5U1CA
A44C3020	283-0175-00			CAP,FXD,CER DI:10PF,5%,200V	05397	C312C100D2G5CA 8
A44C3027	283-0326-00			CAP,FXD,CER DI:0.082UF,10%,50V	51406	RPE111X7R823K50V
A44C3033	283-0326-00			CAP,FXD,CER DI:0.082UF,10%,50V	51406	RPE111X7R823K50V
A44C3034	283-0111-00			CAP,FXD,CER DI:0.1UF,20%,50V	05397	C330C104M5U1CA
A44C3038	290-0312-00	B030000	B042699	CAP,FXD,ELCTLT:47UF,10%,35V	05387	T110D476K035AS
A44C3038	290-0982-00	B042700		CAP,FXD,ELCTLT:47UF,10%,35V	05397	T110D476K035AS
A44C3039	290-0574-00			CAP,FXD,ELCTLT:47UF,10%,20V	05397	T368C476K0202AS
A44C3045	283-0177-00			CAP,FXD,CER DI:1UF,+80-20%,25V	04222	SR302E105ZAATR
A44C3046	290-0158-00			CAP,FXD,ELCTLT:50UF,+75-15%,25V	26769	40LW506B025U1A
A44C3047	290-0776-00			CAP,FXD,ELCTLT:22UF,+50-20%,10V	55680	ULA1A220TAA
A44C3048	283-0191-00			CAP,FXD,CER DI:0.022UF,20%,50V	04222	SR205C223MAA
A44C3055	290-0302-00			CAP,FXD,ELCTLT:100UF,10%,20V	05397	T110D107K020MS
A44C4014	283-0111-00			CAP,FXD,CER DI:0.1UF,20%,50V	05397	C330C104M5U1CA
A44C4016	290-0778-00			CAP,FXD,ELCTLT:1UF,+50-10%,50V,NPLZD	54473	ECE-A50N1
A44C4046	290-0574-00			CAP,FXD,ELCTLT:47UF,10%,20V	05397	T368C476K0202AS
A44C4055	283-0077-00			CAP,FXD,CER DI:330PF,5%,500V	59660	831-500B331J
A44CR1051	152-0141-02			SEMICONDC DVC,DI:SW,SI,30V,150MA,30V,DO-35	03508	DA2527 (1N4152)
A44CR1053	152-0141-02			SEMICONDC DVC,DI:SW,SI,30V,150MA,30V,DO-35	03508	DA2527 (1N4152)
A44CR1054	152-0141-02			SEMICONDC DVC,DI:SW,SI,30V,150MA,30V,DO-35	03508	DA2527 (1N4152)
A44CR2024	152-0141-02			SEMICONDC DVC,DI:SW,SI,30V,150MA,30V,DO-35	03508	DA2527 (1N4152)

Replaceable Electrical Parts
492/492P Service Vol. 2 (B030000 & Up)

Component No.	Tektronix Part No.	Serial/Assembly No.		Name & Description	Mfr. Code	Mfr. Part No.
		Effective	Discont			
A44CR3014	152-0141-02			SEMICON DVC,DI:SW,SI,30V,150MA,30V,DO-35	03508	DA2527 (1N4152)
A44CR3031	152-0141-02			SEMICON DVC,DI:SW,SI,30V,150MA,30V,DO-35	03508	DA2527 (1N4152)
A44CR3044	152-0323-00			SEMICON DVC,DI:SW,SI,35V,0.1A,DO-7	14433	WG1518
A44CR3047	152-0333-00			SEMICON DVC,DI:SW,SI,55V,200MA,DO-35	07263	FDH-6012
A44K3034	148-0064-00			RELAY, REED:FORM A,110MA,28VDC	95348	F81-1441
A44L4038	108-0881-00			COIL,RF:FIXED,40.1UH	80009	108-0881-00
A44L4041	108-0881-00			COIL,RF:FIXED,40.1UH	80009	108-0881-00
A44Q1028	151-0190-00			TRANSISTOR:NPN,SI,TO-92	80009	151-0190-00
A44Q2025	151-0188-00			TRANSISTOR:PMP,SI,TO-92	80009	151-0188-00
A44Q2026	151-1022-00			TRANSISTOR:FET,N-CHAN,SI,TO-18	80009	151-1022-00
A44Q2029	151-0302-00			TRANSISTOR:NPN,SI,TO-18	04713	ST899
A44Q2033	151-1022-00			TRANSISTOR:FET,N-CHAN,SI,TO-18	80009	151-1022-00
A44Q2035	151-0301-00			TRANSISTOR:PMP,SI,TO-18	04713	ST898
A44Q2039	151-0302-00			TRANSISTOR:NPN,SI,TO-18	04713	ST899
A44Q2040	151-1022-00			TRANSISTOR:FET,N-CHAN,SI,TO-18	80009	151-1022-00
A44Q2045	151-0619-00			TRANSISTOR:NPN,DUAL,SIX LEAD,TO-5	27014	SL41341
A44Q2051	151-0301-00			TRANSISTOR:PMP,SI,TO-18	04713	ST898
A44Q2052	151-0619-00			TRANSISTOR:NPN,DUAL,SIX LEAD,TO-5	27014	SL41341
A44Q3019	151-1097-00			TRANSISTOR:FE,SI,TO-92	04713	SPF713
A44Q3028	151-0302-00			TRANSISTOR:NPN,SI,TO-18	04713	ST899
A44Q3042	151-1022-00			TRANSISTOR:FET,N-CHAN,SI,TO-18	80009	151-1022-00
A44Q3047	151-1022-00			TRANSISTOR:FET,N-CHAN,SI,TO-18	80009	151-1022-00
A44Q3049	151-0301-00			TRANSISTOR:PMP,SI,TO-18	04713	ST898
A44R1011	315-0101-00			RES,FXD,FILM:100 OHM,5%,0.25W	57668	NTR25J-E 100E
A44R1013	311-1240-00			RES,VAR,NONNW:TRMR,25K OHM,10%,0.5W	32997	3386X-T07-253
A44R1014	315-0101-00			RES,FXD,FILM:100 OHM,5%,0.25W	57668	NTR25J-E 100E
A44R1015	321-0363-00			RES,FXD,FILM:59.0K OHM,1%,0.125W,TC=TO	07716	CEAD59001F
A44R1018	315-0101-00			RES,FXD,FILM:100 OHM,5%,0.25W	57668	NTR25J-E 100E
A44R1019	321-0363-00			RES,FXD,FILM:59.0K OHM,1%,0.125W,TC=TO	07716	CEAD59001F
A44R1020	321-0001-00			RES,FXD,FILM:10 OHM,1%,0.125W,TC=TO	19701	5033RD10R00FMS
A44R1021	321-0222-00			RES,FXD,FILM:2.00K OHM,1%,0.125W,TC=TO	19701	5033ED2K00F
A44R1022	311-1240-00			RES,VAR,NONNW:TRMR,25K OHM,10%,0.5W	32997	3386X-T07-253
A44R1023	315-0102-00			RES,FXD,FILM:1K OHM,5%,0.25W	57668	NTR25JE01K0
A44R1024	321-0162-00			RES,FXD,FILM:475 OHM,1%,0.125W,TC=TO	19701	5033ED475R0F
A44R1025	317-0102-00			RES,FXD,CMPSN:1K OHM,5%,0.125W	01121	BB1025
A44R1026	311-1240-00			RES,VAR,NONNW:TRMR,25K OHM,10%,0.5W	32997	3386X-T07-253
A44R1027	321-0286-00			RES,FXD,FILM:9.31K OHM,1%,0.125W,TC=TO	19701	5043ED9K310F
A44R1028	321-0332-00	B030000	B042699	RES,FXD,FILM:28.0K OHM,1%,0.125W,TC=TO	07716	CEAD28001F
A44R1028	321-0325-00	B042700	B043169	RES,FXD,FILM:23.7K OHM,1%,0.125W,TC=TO	07716	CEAD23701F
A44R1028	321-0326-00	B043170	B054836	RES,FXD,FILM:24.3K OHM,1%,0.125W,TC=TO	19701	5043ED24K30F
A44R1028	321-0328-00	B054837		RES,FXD,FILM:25.5K OHM,1%,0.125W,TC=TO	19701	5043ED25K50F
A44R1029	321-0001-00			RES,FXD,FILM:10 OHM,1%,0.125W,TC=TO	19701	5033RD10R00FMS
A44R1030	317-0102-00	B042700		RES,FXD,CMPSN:1K OHM,5%,0.125W	01121	BB1025
A44R1031	311-1337-00	B030000	B031142	RES,VAR,NONNW:TRMR,25K OHM,0.5W	32997	3006P-W84-253
A44R1031	311-2168-00	B031143		RES,VAR,NONNW:TRMR,10K OHM,10%,0.5W	18612	1280G 10K OHM 1%
A44R1032	311-1319-00	B030000	B031142	RES,VAR,NONNW:TRMR,10K OHM,0.5W	32997	3006P-W84-103
A44R1032	311-2168-00	B031143		RES,VAR,NONNW:TRMR,10K OHM,10%,0.5W	18612	1280G 10K OHM 1%
A44R1034	311-1319-00	B030000	B031142	RES,VAR,NONNW:TRMR,10K OHM,0.5W	32997	3006P-W84-103
A44R1034	311-2168-00	B031143		RES,VAR,NONNW:TRMR,10K OHM,10%,0.5W	18612	1280G 10K OHM 1%
A44R1035	315-0102-00			RES,FXD,FILM:1K OHM,5%,0.25W	57668	NTR25JE01K0
A44R1036	315-0102-00			RES,FXD,FILM:1K OHM,5%,0.25W	57668	NTR25JE01K0
A44R1038	321-0289-07			RES,FXD,FILM:10.0K OHM,0.1%,0.125W,TC=T9	19701	5033RE10K00B
A44R1039	321-0273-00			RES,FXD,FILM:6.81K OHM,1%,0.125W,TC=TO	07716	CEAD68100F
A44R1040	310-0706-00			RES,FXD,WW:25 OHM,1.0%,6W,TC-3.5 PPM	80009	310-0706-00
A44R1041	315-0102-00			RES,FXD,FILM:1K OHM,5%,0.25W	57668	NTR25JE01K0
A44R1042	321-0322-00			RES,FXD,FILM:22.1K OHM,0.1%,0.125W,TC=TO	19701	5033ED22K10F
A44R1043	321-0322-00			RES,FXD,FILM:22.1K OHM,0.1%,0.125W,TC=TO	19701	5033ED22K10F
A44R1044	321-0090-00			RES,FXD,FILM:84.5 OHM,1%,0.125W,TC=TO	91637	CMF55116684R50F

Component No.	Tektronix Part No.	Serial/Assembly No. Effective	Discnt	Name & Description	Mfr. Code	Mfr. Part No.
A44R1045	321-0207-00			RES,FXD,FILM:1.40K OHM,1%,0.125W,TC=TO	19701	5033ED1K400F
A44R1046	321-0373-00			RES,FXD,FILM:75.0K OHM,1%,0.125W,TC=TO	19701	5033ED75K00F
A44R1047	315-0472-00			RES,FXD,FILM:4.7K OHM,5%,0.25W	57668	NTR25J-E04K7
A44R1048	315-0302-00			RES,FXD,FILM:3K OHM,5%,0.25W	57668	NTR25J-E03K0
A44R1049	321-0306-00			RES,FXD,FILM:15.0K OHM,1%,0.125W,TC=TO	19701	5033ED15J00F
A44R1050	321-0306-00			RES,FXD,FILM:15.0K OHM,1%,0.125W,TC=TO	19701	5033ED15J00F
A44R1051	321-0306-00			RES,FXD,FILM:15.0K OHM,1%,0.125W,TC=TO	19701	5033ED15J00F
A44R1052	321-0373-00			RES,FXD,FILM:75.0K OHM,1%,0.125W,TC=TO	19701	5033ED75K00F
A44R1053	315-0102-00			RES,FXD,FILM:1K OHM,5%,0.25W	57668	NTR25JE01K0
A44R1054	315-0200-00			RES,FXD,FILM:20 OHM,5%,0.25W	19701	5043CX20R00J
A44R1055	321-0163-00			RES,FXD,FILM:487 OHM,1%,0.125W,TC=TO	07716	CEAD487R0F
A44R2012	307-0542-00			RES NTWK,FXD,FI:(5)10K OHM,5%,0.125W	01121	106A1030R706A103
A44R2014	321-0383-00			RES,FXD,FILM:95.3K OHM,1%,0.125W,TC=TO	07716	CEAD95301F
A44R2015	321-0337-00			RES,FXD,FILM:31.6K OHM,1%,0.125W,TC=TO	07716	CEAD31601F
A44R2016	321-0222-00			RES,FXD,FILM:2.00K OHM,1%,0.125W,TC=TO	19701	5033ED2K00F
A44R2017	321-0001-00			RES,FXD,FILM:10 OHM,1%,0.125W,TC=TO	19701	5033RD10R00FMS
A44R2021	315-0512-00			RES,FXD,FILM:5.1K OHM,5%,0.25W	57668	NTR25J-E05K1
A44R2022	321-0265-00			RES,FXD,FILM:5.62K OHM,1%,0.125W,TC=TO	19701	5043ED5K620F
A44R2023	315-0391-00			RES,FXD,FILM:390 OHM,5%,0.25W	57668	NTR25J-E390E
A44R2024	321-0193-00			RES,FXD,FILM:1K OHM,1%,0.125W,TC=TO	19701	5033ED1K00F
A44R2025	321-0001-00			RES,FXD,FILM:10 OHM,1%,0.125W,TC=TO	19701	5033RD10R00FMS
A44R2026	315-0472-00			RES,FXD,FILM:4.7K OHM,5%,0.25W	57668	NTR25J-E04K7
A44R2027	321-0896-03			RES,FXD,FILM:9.8K OHM,0.25%,0.125W,TC=T2	19701	5033RE9K800C
A44R2028	315-0474-00			RES,FXD,FILM:470K OHM,5%,0.25W	19701	5043CX470K0J92U
A44R2029	315-0510-00			RES,FXD,FILM:51 OHM,5%,0.25W	19701	5043CX51R00J
A44R2030	321-0352-00			RES,FXD,FILM:45.3K OHM,1%,0.125W,TC=TO	07716	CEAD45301F
A44R2031	321-1299-09			RES,FXD,FILM:12.9K OHM,1%,0.125W,TC=T9	19701	5033RE12K92F
A44R2036	325-0269-00			RES,FXD,FILM:22K OHM,1%,0.3W,TC=1PPM/DEG C	07088	K747 22K OHM 1%
A44R2037	325-0258-00			RES,FXD,FILM:5.62K OHM,0.25%,0.3W	07088	K747 5.62K OHM
A44R2041	325-0323-00			RES,FXD,FILM:10.88K OHM,0.5%,0.3W	07088	K747 10.88 KOHM
A44R2042	325-0326-00			RES,FXD,FILM:2.67K OHM,0.5%,0.3W	07088	K747 2.67 KOHM
A44R2043	325-0271-00			RES,FXD,FILM:51.1K OHM,0.25%,0.3W	07088	K747 51.1K OHM
A44R2044	315-0274-00			RES,FXD,FILM:270K OHM,5%,0.25W	57668	NTR25J-E270K
A44R2051	325-0326-00			RES,FXD,FILM:2.67K OHM,0.5%,0.3W	07088	K747 2.67 KOHM
A44R2052	325-0327-00			RES,FXD,FILM:4.72K OHM,0.5%,0.3W	07088	K747 4.72 KOHM
A44R2053	321-0263-00			RES,FXD,FILM:5.36K OHM,1%,0.125W,TC=TO	07716	CEAD53600F
A44R2054	315-0102-00			RES,FXD,FILM:1K OHM,5%,0.25W	57668	NTR25JE01K0
A44R3011	315-0274-00			RES,FXD,FILM:270K OHM,5%,0.25W	57668	NTR25J-E270K
A44R3012	315-0203-00			RES,FXD,FILM:20K OHM,5%,0.25W	57668	NTR25J-E 20K
A44R3013	321-0001-00			RES,FXD,FILM:10 OHM,1%,0.125W,TC=TO	19701	5033RD10R00FMS
A44R3014	321-0306-00			RES,FXD,FILM:15.0K OHM,1%,0.125W,TC=TO	19701	5033ED15J00F
A44R3015	321-0289-00			RES,FXD,FILM:10.0K OHM,1%,0.125W,TC=TO	19701	5033ED10K0F
A44R3026	321-0001-00			RES,FXD,FILM:10 OHM,1%,0.125W,TC=TO	19701	5033RD10R00FMS
A44R3027	315-0100-00			RES,FXD,FILM:10 OHM,5%,0.25W	19701	5043CX10R00J
A44R3028	315-0912-00			RES,FXD,FILM:9.1K OHM,5%,0.25W	57668	NTR25J-E09K1
A44R3031	315-0562-00			RES,FXD,FILM:5.6K OHM,5%,0.25W	57668	NTR25J-E05K6
A44R3032	315-0100-00			RES,FXD,FILM:10 OHM,5%,0.25W	19701	5043CX10R00J
A44R3040	315-0154-00			RES,FXD,FILM:150K OHM,5%,0.25W	57668	NTR25J-E150K
A44R3041	315-0274-00			RES,FXD,FILM:270K OHM,5%,0.25W	57668	NTR25J-E270K
A44R3042	315-0104-00			RES,FXD,FILM:100K OHM,5%,0.25W	57668	NTR25J-E100K
A44R3046	315-0222-00			RES,FXD,FILM:2.2K OHM,5%,0.25W	57668	NTR25J-E02K2
A44R3048	315-0102-00			RES,FXD,FILM:1K OHM,5%,0.25W	57668	NTR25JE01K0
A44R3049	315-0123-00			RES,FXD,FILM:12K OHM,5%,0.25W	57668	NTR25J-E12K0
A44R3050	315-0103-00			RES,FXD,FILM:10K OHM,5%,0.25W	19701	5043CX10K00J
A44R4012	315-0473-00			RES,FXD,FILM:47K OHM,5%,0.25W	57668	NTR25J-E47K0
A44R4014	315-0101-00			RES,FXD,FILM:100 OHM,5%,0.25W	57668	NTR25J-E 100E
A44R4015	315-0101-00			RES,FXD,FILM:100 OHM,5%,0.25W	57668	NTR25J-E 100E
A44R4016	315-0102-00			RES,FXD,FILM:1K OHM,5%,0.25W	57668	NTR25JE01K0

Replaceable Electrical Parts
492/492P Service Vol. 2 (8030000 & Up)

Component No.	Tektronix Part No.	Serial/Assembly No. Effective	Dscont	Name & Description	Mfr. Code	Mfr. Part No.
A44R4037	315-0470-00			RES,FXD,FILM:47 OHM,5%,0.25W	57668	NTR25J-E47E0
A44R4038	307-0103-00			RES,FXD,CMPSN:2.7 OHM,5%,0.25W	01121	CB27G5
A44R4043	307-0103-00			RES,FXD,CMPSN:2.7 OHM,5%,0.25W	01121	CB27G5
A44R4044	315-0470-00			RES,FXD,FILM:47 OHM,5%,0.25W	57668	NTR25J-E47E0
A44R4051	315-0103-00			RES,FXD,FILM:10K OHM,5%,0.25W	19701	5043CX10K00J
A44R4052	321-0233-00			RES,FXD,FILM:2.61K OHM,1%,0.125W,TC=T0	07716	CEAD26100F
A44R4053	321-0233-00			RES,FXD,FILM:2.61K OHM,1%,0.125W,TC=T0	07716	CEAD26100F
A44U1013	156-1160-00			MICROCKT,LINEAR:VOLTAGE REGULATOR	04713	MC78L12ACG
A44U1016	156-1256-00			MICROCKT,LINEAR:MONOLITHIC QUAD ANALOG	32293	IH5010CDD/CJD
A44U1018	156-1207-00			MICROCKT,LINEAR:VOLTAGE REGULATOR,-12 V	04713	MC79L12ACG
A44U1025	156-0158-04			MICROCKT,LINEAR:DUAL OPNL AMPL	01295	MC1458JG
A44U2018	156-0512-02	B030000	B041473	MICROCKT,LINEAR:OPNL AMPL,SELECTED (492 ONLY)	04713	LM308J-8DS
A44U2018	156-0512-03	B041474		MICROCKT,LINEAR:OPNL AMPL (492 ONLY)	04713	LM308J-8
A44U2018	156-0512-02	B030000	B041669	MICROCKT,LINEAR:OPNL AMPL,SELECTED (492P ONLY)	04713	LM308J-8DS
A44U2018	156-0512-03	B041670		MICROCKT,LINEAR:OPNL AMPL (492P ONLY)	04713	LM308J-8
A44U2032	156-0512-02	B030000	B041473	MICROCKT,LINEAR:OPNL AMPL,SELECTED (492 ONLY)	04713	LM308J-8DS
A44U2032	156-0512-03	B041474		MICROCKT,LINEAR:OPNL AMPL (492 ONLY)	04713	LM308J-8
A44U2032	156-0512-02	B030000	B041669	MICROCKT,LINEAR:OPNL AMPL,SELECTED (492P ONLY)	04713	LM308J-8DS
A44U2032	156-0512-03	B041670		MICROCKT,LINEAR:OPNL AMPL (492P ONLY)	04713	LM308J-8
A44U2043	156-0512-02	B030000	B041473	MICROCKT,LINEAR:OPNL AMPL,SELECTED (492 ONLY)	04713	LM308J-8DS
A44U2043	156-0512-03	B041474		MICROCKT,LINEAR:OPNL AMPL (492 ONLY)	04713	LM308J-8
A44U2043	156-0512-02	B030000	B041669	MICROCKT,LINEAR:OPNL AMPL,SELECTED (492P ONLY)	04713	LM308J-8DS
A44U2043	156-0512-03	B041670		MICROCKT,LINEAR:OPNL AMPL (492P ONLY)	04713	LM308J-8
A44U2052	156-0512-02	B030000	B041473	MICROCKT,LINEAR:OPNL AMPL,SELECTED (492 ONLY)	04713	LM308J-8DS
A44U2052	156-0512-03	B041474		MICROCKT,LINEAR:OPNL AMPL (492 ONLY)	04713	LM308J-8
A44U2052	156-0512-02	B030000	B041669	MICROCKT,LINEAR:OPNL AMPL,SELECTED (492P ONLY)	04713	LM308J-8DS
A44U2052	156-0512-03	B041670		MICROCKT,LINEAR:OPNL AMPL (492P ONLY)	04713	LM308J-8
A44U3014	156-0411-02			MICROCKT,LINEAR:QUAD COMPARATOR,SCREENED	04713	LM339JDS
A44U3022	156-0967-00			MICROCKT,LINEAR:D/A CONVERTER	24355	AD561J
A44U4017	156-0913-02			MICROCKT,DGTL:OCTAL D FF W/ENABLE,SCRN	01295	SN74LS377NP3
A44U4022	156-0913-02			MICROCKT,DGTL:OCTAL D FF W/ENABLE,SCRN	01295	SN74LS377NP3
A44U4024	156-0913-02			MICROCKT,DGTL:OCTAL D FF W/ENABLE,SCRN	01295	SN74LS377NP3
A44U4034	156-0469-02			MICROCKT,DGTL:3/8 LINE DCDR,SCRN	01295	SN74LS138NP3
A44U4055	156-0105-02			MICROCKT,LINEAR:OPNL AMPL,SELECTED	01295	LM301AJG4
A44VR1055	152-0526-00			SEMICON DVC,DI:ZEN,SI,6.35V,1%,0.4W,DO-7	14552	DT840615A
A44VR3048	152-0280-00			SEMICON DVC,DI:ZEN,S1,6.2V,5%,0.4W,DO-7	04713	1N753A
A44W2034	131-0566-00			BUS,CONDUCTOR:DUMMY RES,0.094 OD X 0.225 L	24546	OMA 07
A44W2045	131-0566-00			BUS,CONDUCTOR:DUMMY RES,0.094 OD X 0.225 L	24546	OMA 07
A46	670-5547-01	B030000	B042479	CIRCUIT BD ASSY:CENTER FREQ CONTROL	80009	670-5547-01
A46	670-5547-02	B042480	B042679	CIRCUIT BD ASSY:CENTER FREQ CONTROL	80009	670-5547-02
A46	670-5547-03	B042680	B055507	CIRCUIT BD ASSY:CENTER FREQ CONTROL	80009	670-5547-03
A46	670-9094-00	B055508	B055800	CIRCUIT BD ASSY:CENTER FREQ CONT	80009	670-9094-00
A46	670-9094-01	B055801		CIRCUIT BD ASSY:CENTER FREQ CONT	80009	670-9094-01
A46C1024	283-0256-00	B031320	B055507	CAP,FXD,CER DI:130PF,5%,100V (492 ONLY)	51642	200100N1500131J

Component No.	Tektronix Part No.	Serial/Assembly No. Effective	Discont	Name & Description	Mfr. Code	Mfr. Part No.
A46C1024	283-0256-00	B031460	B055507	CAP,FXD,CER DI:130PF,5%,100V (492P ONLY)	51642	200100N1500131J
A46C1029	283-5004-00	B055508		CAP,FXD,CER DI:0.1UF,10%,25V	54583	C3216X7R1E104K
A46C1030	283-5002-00	B055508		CAP,FXD,CER DI:1000PF,10%,50V	95275	VJ1206A102KXA
A46C1033	283-5004-00	B055508		CAP,FXD,CER DI:0.1UF,10%,25V	54583	C3216X7R1E104K
A46C1042	283-0330-00	B031320	B042679	CAP,FXD,CER DI:100PF,5%,50V (492 ONLY)	05397	C320C101J5R5CA
A46C1042	283-0330-00	B030000	B042679	CAP,FXD,CER DI:100PF,5%,50V (492P ONLY)	05397	C320C101J5R5CA
A46C1043	283-0330-00	B030000	B055507	CAP,FXD,CER DI:100PF,5%,50V	05397	C320C101J5R5CA
A46C1043	285-0894-00	B055508		CAP,FXD,PLASTIC:5UF,5%,50V	14752	A650DIA505J
A46C1044	283-0204-00	B030000	B055507	CAP,FXD,CER DI:0.01UF,20%,50V	04222	SR155E103MAA
A46C1061	283-5004-00	B055508		CAP,FXD,CER DI:0.1UF,10%,25V	54583	C3216X7R1E104K
A46C1065	283-5002-00	B055508		CAP,FXD,CER DI:1000PF,10%,50V	95275	VJ1206A102KXA
A46C1066	283-5004-00	B055508		CAP,FXD,CER DI:0.1UF,10%,25V	54583	C3216X7R1E104K
A46C2015	283-5001-00	B055508		CAP,FXD,CER DI:100PF,5%,50V	54583	C3216C0G1H101J
A46C2031	290-0536-00	B030000	B055507	CAP,FXD,ELCTLT:10UF,20%,25V TANTALUM	05397	T368B106M025AS
A46C2032	290-0536-00	B030000	B055507	CAP,FXD,ELCTLT:10UF,20%,25V TANTALUM	05397	T368B106M025AS
A46C2033	290-0536-00	B030000	B055507	CAP,FXD,ELCTLT:10UF,20%,25V TANTALUM	05397	T368B106M025AS
A46C2034	290-0536-00	B030000	B055507	CAP,FXD,ELCTLT:10UF,20%,25V TANTALUM	05397	T368B106M025AS
A46C2035	290-0536-00	B030000	B055507	CAP,FXD,ELCTLT:10UF,20%,25V TANTALUM	05397	T368B106M025AS
A46C2036	290-0536-00	B030000	B055507	CAP,FXD,ELCTLT:10UF,20%,25V TANTALUM	05397	T368B106M025AS
A46C2037	290-5001-00	B055508		CAP,FXD,ELCTLT:10UF,20%,16V	TK0900	ALCHIP-S16V10UF
A46C2040	290-5001-00	B055508		CAP,FXD,ELCTLT:10UF,20%,16V	TK0900	ALCHIP-S16V10UF
A46C2043	290-5001-00	B055508		CAP,FXD,ELCTLT:10UF,20%,16V	TK0900	ALCHIP-S16V10UF
A46C2044	283-0204-00	B030000	B055507	CAP,FXD,CER DI:0.01UF,20%,50V	04222	SR155E103MAA
A46C2045	283-0330-00	B030000	B042679	CAP,FXD,CER DI:100PF,5%,50V	05397	C320C101J5R5CA
A46C2046	285-0894-00	B030000	B055507	CAP,FXD,PLASTIC:5UF,5%,50V	14752	A650DIA505J
A46C2050	283-5001-00	B055508		CAP,FXD,CER DI:100PF,5%,50V	54583	C3216C0G1H101J
A46C2069	290-5001-00	B055508		CAP,FXD,ELCTLT:10UF,20%,16V	TK0900	ALCHIP-S16V10UF
A46C2074	290-5001-00	B055508		CAP,FXD,ELCTLT:10UF,20%,16V	TK0900	ALCHIP-S16V10UF
A46C2076	285-0894-00	B055508		CAP,FXD,PLASTIC:5UF,5%,50V	14752	A650DIA505J
A46C3024	283-0256-00	B031320	B055507	CAP,FXD,CER DI:130PF,5%,100V (492 ONLY)	51642	200100N1500131J
A46C3024	283-0256-00	B031460	B055507	CAP,FXD,CER DI:130PF,5%,100V (492P ONLY)	51642	200100N1500131J
A46C3037	283-0204-00	B030000	B055507	CAP,FXD,CER DI:0.01UF,20%,50V	04222	SR155E103MAA
A46C3038	283-0330-00	B030000	B042679	CAP,FXD,CER DI:100PF,5%,50V	05397	C320C101J5R5CA
A46C3039	283-0330-00	B031320	B042679	CAP,FXD,CER DI:100PF,5%,50V (492 ONLY)	05397	C320C101J5R5CA
A46C3039	283-0330-00	B031460	B055507	CAP,FXD,CER DI:100PF,5%,50V (492P ONLY)	05397	C320C101J5R5CA
A46C3040	290-5001-00	B055508		CAP,FXD,ELCTLT:10UF,20%,16V	TK0900	ALCHIP-S16V10UF
A46C3043	283-0204-00	B030000	B055507	CAP,FXD,CER DI:0.01UF,20%,50V	04222	SR155E103MAA
A46C3044	283-0330-00	B030000	B042679	CAP,FXD,CER DI:100PF,5%,50V	05397	C320C101J5R5CA
A46C3045	285-0894-00	B030000	B055507	CAP,FXD,PLASTIC:5UF,5%,50V	14752	A650DIA505J
A46C3045	290-5001-00	B055508		CAP,FXD,ELCTLT:10UF,20%,16V	TK0900	ALCHIP-S16V10UF
A46C3076	290-5001-00	B055508		CAP,FXD,ELCTLT:10UF,20%,16V	TK0900	ALCHIP-S16V10UF
A46CR1024	152-5000-00	B055508		SEMICON DVC,DI:SW,SI,70V,COM CATHODE	04713	BAV70
A46CR1025	152-5000-00	B055508		SEMICON DVC,DI:SW,SI,70V,COM CATHODE	04713	BAV70
A46CR1026	152-5000-00	B055508		SEMICON DVC,DI:SW,SI,70V,COM CATHODE	04713	BAV70
A46CR1033	152-5000-00	B055508		SEMICON DVC,DI:SW,SI,70V,COM CATHODE	04713	BAV70
A46CR1035	152-5000-00	B055508		SEMICON DVC,DI:SW,SI,70V,COM CATHODE	04713	BAV70
A46CR1045	152-0323-00	B030000	B055507	SEMICON DVC,DI:SW,SI,35V,0.1A,DO-7	14433	WG1518
A46CR1046	152-0323-00	B030000	B055507	SEMICON DVC,DI:SW,SI,35V,0.1A,DO-7	14433	WG1518
A46CR1056	152-5000-00	B055508		SEMICON DVC,DI:SW,SI,70V,COM CATHODE	04713	BAV70
A46CR1058	152-5000-00	B055508		SEMICON DVC,DI:SW,SI,70V,COM CATHODE	04713	BAV70
A46CR1064	152-5000-00	B055508		SEMICON DVC,DI:SW,SI,70V,COM CATHODE	04713	BAV70
A46CR1067	152-5000-00	B055508		SEMICON DVC,DI:SW,SI,70V,COM CATHODE	04713	BAV70

Replaceable Electrical Parts
492/492P Service Vol. 2 (B030000 & Up)

Component No.	Tektronix Part No.	Serial/Assembly No. Effective	Dscont	Name & Description	Mfr. Code	Mfr. Part No.
A46R3046	315-0750-00	B030000	B055507	RES,FXD,FILM:75 OHM,5%,0.25W	57668	NTR25J-E75E0
A46R3047	315-0512-00	B030000	B055507	RES,FXD,FILM:5.1K OHM,5%,0.25W	57668	NTR25J-E05K1
A46R3075	321-5006-00	B055508		RES,FXD,FILM:100 OHM,1%,0.125W	01121	BCK1000FT
A46R4031	321-0290-00	B030000	B055507	RES,FXD,FILM:10.2K OHM,1%,0.125W,TC=TO	19701	5043ED10K20F
A46R4037	321-0260-00	B030000	B042479	RES,FXD,FILM:4.99K OHM,1%,0.125W,TC=TO	19701	5033ED4K990F
A46R4037	321-0193-00	B042480	B055507	RES,FXD,FILM:1K OHM,1%,0.125W,TC=TO	19701	5033ED1K00F
A46R4038	321-0356-00	B030000	B042479	RES,FXD,FILM:49.9K OHM,1%,0.125W,TC=TO	19701	5033ED49K90F
A46R4038	321-0346-00	B042480	B055507	RES,FXD,FILM:39.2K OHM,1%,0.125W,TC=TO	19701	5043ED39K20F
A46R4039	321-0320-00	B030000	B042479	RES,FXD,FILM:21.0K OHM,1%,0.125W,TC=TO	19701	5033ED21K00F
A46R4039	321-0362-00	B042480	B055507	RES,FXD,FILM:57.6K OHM,1%,0.125W,TC=TO	19701	5043ED57K60F
A46R4040	311-1241-00			RES,VAR,NONW:TRMR,100K OHM,0.5W	32997	3386X-T07-104
A46R4041	321-0001-00	B030000	B055507	RES,FXD,FILM:10 OHM,1%,0.125W,TC=TO	19701	5033RD10R00FMS
A46R4042	315-0101-00	B030000	B055507	RES,FXD,FILM:100 OHM,5%,0.25W	57668	NTR25J-E 100E
A46R4043	321-0385-00	B030000	B055507	RES,FXD,FILM:100K OHM,1%,0.125W,TC=TO	19701	5033ED100K0F
A46R4044	321-0260-00	B030000	B055507	RES,FXD,FILM:4.99K OHM,1%,0.125W,TC=TO	19701	5033ED4K990F
A46R4045	321-0385-00	B030000	B055507	RES,FXD,FILM:100K OHM,1%,0.125W,TC=TO	19701	5033ED100K0F
A46R4046	315-0475-00	B030000	B055507	RES,FXD,FILM:4.7M OHM,5%,0.25W	01121	CB4755
A46R4047	315-0101-00	B030000	B055507	RES,FXD,FILM:100 OHM,5%,0.25W	57668	NTR25J-E 100E
A46R4048	315-0103-00	B030000	B055507	RES,FXD,FILM:10K OHM,5%,0.25W	19701	5043CX10K00J
A46R4049	315-0102-00	B030000	B055507	RES,FXD,FILM:1K OHM,5%,0.25W	57668	NTR25JE01K0
A46R4062	321-5006-00	B055508		RES,FXD,FILM:100 OHM,1%,0.125W	01121	BCK1000FT
A46R4063	321-5006-00	B055508		RES,FXD,FILM:100 OHM,1%,0.125W	01121	BCK1000FT
A46U1022	156-0913-02	B030000	B055507	MICROCKT,DGTL:OCTAL D FF W/ENABLE,SCRN	01295	SN74LS377NP3
A46U1024	156-1184-00	B030000	B042479	MICROCKT,LINAR:12 BIT D/A CONVERTER	27014	DAC1200HCB
A46U1030	156-1184-00	B030000	B042479	MICROCKT,LINAR:12 BIT D/A CONVERTER	27014	DAC1200HCB
A46U1030	156-1851-00	B055508		MICROCKT,LINAR:OPERATIONAL AMPLIFIER,SCRN	06665	OP-27BIGZ
A46U1035	156-1582-00	B055508		MICROCKT,LINAR:OPERATIONAL AMPL,SCREENED	80009	156-1582-00
A46U1042	156-1272-00	B030000	B055507	MICROCKT,LINAR:DUAL OPERATIONAL AMPLIFIER	80009	156-1272-00
A46U1044	156-0317-00	B030000	B042679	MICROCKT,LINAR:OPNL AMPL	80009	156-0317-00
A46U1044	156-1851-00	B042680	B055507	MICROCKT,LINAR:OPERATIONAL AMPLIFIER,SCRN	06665	OP-27BIGZ
A46U1055	156-5000-00	B055508		MICROCKT,LINAR:VOLTAGE COMPARATOR	04713	LM311D
A46U1065	156-1851-00	B055508		MICROCKT,LINAR:OPERATIONAL AMPLIFIER,SCRN	06665	OP-27BIGZ
A46U2010	156-1851-00	B055508		MICROCKT,LINAR:OPERATIONAL AMPLIFIER,SCRN	06665	OP-27BIGZ
A46U2014	156-0469-02	B030000	B055507	MICROCKT,DGTL:3/8 LINE DCDR,SCRN	01295	SN74LS138NP3
A46U2015	156-1851-00	B055508		MICROCKT,LINAR:OPERATIONAL AMPLIFIER,SCRN	06665	OP-27BIGZ
A46U2016	156-0916-02	B030000	B055507	MICROCKT,DGTL:EIGHT 2-INP 3-STATE BFR,SCRN	27014	DM81LS97ANA+
A46U2019	156-5000-00	B055508		MICROCKT,LINAR:VOLTAGE COMPARATOR	04713	LM311D
A46U2020	156-1548-01	B055508		MICROCKT,LINAR:CMOS,D/A CONVERTER	51640	AD7541AJN
A46U2022	156-0913-02	B030000	B055507	MICROCKT,DGTL:OCTAL D FF W/ENABLE,SCRN	01295	SN74LS377NP3
A46U2024	156-0383-02	B030000	B055507	MICROCKT,DGTL:QUAD 2-INP NOR GATE,SCRN,	18324	N74LS02NB
A46U2026	156-0383-02	B030000	B055507	MICROCKT,DGTL:QUAD 2-INP NOR GATE,SCRN,	18324	N74LS02NB
A46U2030	156-1548-01	B055508		MICROCKT,LINAR:CMOS,D/A CONVERTER	51640	AD7541AJN
A46U2044	156-1126-01	B030000	B055507	MICROCKT,LINAR:VOLTAGE COMPARATOR,SELECTED	01295	LM311JG4
A46U2045	156-1851-00	B055508		MICROCKT,LINAR:OPERATIONAL AMPLIFIER,SCRN	06665	OP-27BIGZ
A46U2046	156-0512-02	B030000	B041473	MICROCKT,LINAR:OPNL AMPL,SELECTED	04713	LM308J-8DS
A46U2046	156-0512-03	B041474	B042679	MICROCKT,LINAR:OPNL AMPL (492 ONLY)	04713	LM308J-8
A46U2046	156-1582-00	B042680	B055507	MICROCKT,LINAR:OPERATIONAL AMPL,SCREENED (492 ONLY)	80009	156-1582-00
A46U2046	156-0512-02	B030000	B041669	MICROCKT,LINAR:OPNL AMPL,SELECTED (492P ONLY)	04713	LM308J-8DS
A46U2046	156-0512-03	B041670	B055507	MICROCKT,LINAR:OPNL AMPL (492P ONLY)	04713	LM308J-8
A46U2050	156-1851-00	B055508		MICROCKT,LINAR:OPERATIONAL AMPLIFIER,SCRN	06665	OP-27BIGZ
A46U2055	156-1548-01	B055508		MICROCKT,LINAR:CMOS,D/A CONVERTER	51640	AD7541AJN
A46U2060	156-1548-01	B055508		MICROCKT,LINAR:CMOS,D/A CONVERTER	51640	AD7541AJN
A46U2070	156-1582-00	B055508		MICROCKT,LINAR:OPERATIONAL AMPL,SCREENED	80009	156-1582-00
A46U3014	156-0913-02	B030000	B055507	MICROCKT,DGTL:OCTAL D FF W/ENABLE,SCRN	01295	SN74LS377NP3

Component No.	Tektronix Part No.	Serial/Assembly No. Effective	Discont	Name & Description	Mfr. Code	Mfr. Part No.
A46U3015	156-5035-00	B055508		MICROCKT,DGTL:LSTTL,OCTAL D FF W/3-STATE OU T	18324	N74LS374D
A46U3016	156-0913-02	B030000	B055507	MICROCKT,DGTL:OCTAL D FF W/ENABLE,SCRN	01295	SN74LS377NP3
A46U3022	156-0913-02	B030000	B055507	MICROCKT,DGTL:OCTAL D FF W/ENABLE,SCRN	01295	SN74LS377NP3
A46U3024	156-1184-00	B030000	B042479	MICROCKT,LINEAR:12 BIT D/A CONVERTER	27014	DAC1200HCB
A46U3025	156-5035-00	B055508		MICROCKT,DGTL:LSTTL,OCTAL D FF W/3-STATE OU T	18324	N74LS374D
A46U3030	156-1184-00	B030000	B042479	MICROCKT,LINEAR:12 BIT D/A CONVERTER	27014	DAC1200HCB
A46U3041	156-1272-00	B030000	B055507	MICROCKT,LINEAR:DUAL OPERATIONAL AMPLIFIER	80009	156-1272-00
A46U3042	156-0317-00	B030000	B042679	MICROCKT,LINEAR:OPNL AMPL	80009	156-0317-00
A46U3042	156-1851-00	B042680	B055507	MICROCKT,LINEAR:OPERATIONAL AMPLIFIER,SCRN	06665	OP-27BIGZ
A46U3045	156-1126-01	B030000	B055507	MICROCKT,LINEAR:VOLTAGE COMPARATOR,SELECTED	01295	LM311JG4
A46U3046	156-0512-02	B030000	B041473	MICROCKT,LINEAR:OPNL AMPL,SELECTED (492 ONLY)	04713	LM308J-8DS
A46U3046	156-0512-03	B041474	B042679	MICROCKT,LINEAR:OPNL AMPL (492 ONLY)	04713	LM308J-8
A46U3046	156-1582-00	B042680	B055507	MICROCKT,LINEAR:OPERATIONAL AMPL,SCREENED (492 ONLY)	80009	156-1582-00
A46U3046	156-0512-02	B030000	B041669	MICROCKT,LINEAR:OPNL AMPL,SELECTED (492P ONLY)	04713	LM308J-8DS
A46U3046	156-0512-03	B041670	B055507	MICROCKT,LINEAR:OPNL AMPL (492P ONLY)	04713	LM308J-8
A46U3050	156-5035-00	B055508		MICROCKT,DGTL:LSTTL,OCTAL D FF W/3-STATE OU T	18324	N74LS374D
A46U3060	156-5035-00	B055508		MICROCKT,DGTL:LSTTL,OCTAL D FF W/3-STATE OU T	18324	N74LS374D
A46U3070	156-5035-00	B055508		MICROCKT,DGTL:LSTTL,OCTAL D FF W/3-STATE OU T	18324	N74LS374D
A46U4015	156-5032-00	B055508		MICROCKT,DGTL:LSTTL,QUAD 2 INP NOR GATE	18324	N74LS02D
A46U4025	156-5035-00	B055508		MICROCKT,DGTL:LSTTL,OCTAL D FF W/3-STATE OU T	18324	N74LS374D
A46U4035	156-5034-00	B055508		MICROCKT,DGTL:LSTTL,OCTAL BFR W/3 STATE OUT	18324	N74LS244D
A46U4045	156-5033-00	B055508		MICROCKT,DGTL:LSTTL,3 TO 8 LINE DECODER/DEM UX	18324	74LS138D
A46U4060	156-5032-00	B055508		MICROCKT,DGTL:LSTTL,QUAD 2 INP NOR GATE	18324	N74LS02D
A46A1	670-7939-00	B042480	B042539	CIRCUIT BD ASSY:INTFC	80009	670-7939-00
A46A1	670-7939-01	B042540	B055507	CIRCUIT BD ASSY:INTFC	80009	670-7939-01
A46A1C1011	283-0330-00	B042480	B055507	CAP,FXD,CER DI:100PF,5%,50V	05397	C320C101J5R5CA
A46A1C1014	283-0135-00	B042480	B055507	CAP,FXD,CER DI:100PF,5%,500V	91418	JK101J501959
A46A1CR1016	152-0141-02	B042480	B055507	SEMICON DVC,DI:SW,SI,30V,150MA,30V,DO-35	03508	DA2527 (1N4152)
A46A1CR1017	152-0141-02	B042480	B055507	SEMICON DVC,DI:SW,SI,30V,150MA,30V,DO-35	03508	DA2527 (1N4152)
A46A1CR1018	152-0141-02	B042480	B055507	SEMICON DVC,DI:SW,SI,30V,150MA,30V,DO-35	03508	DA2527 (1N4152)
A46A1Q1018	151-0736-00	B042480	B055507	TRANSISTOR:NPN,SI,TO-92	80009	151-0736-00
A46A1R1012	321-0193-00	B042480	B055507	RES,FXD,FILM:1K OHM,1%,0.125W,TC=TO	19701	5033ED1K00F
A46A1R1014	321-0260-00	B042480	B055507	RES,FXD,FILM:4.99K OHM,1%,0.125W,TC=TO	19701	5033ED4K990F
A46A1R1016	321-0260-00	B042480	B055507	RES,FXD,FILM:4.99K OHM,1%,0.125W,TC=TO	19701	5033ED4K990F
A46A1R1018	315-0200-00	B042480	B055507	RES,FXD,FILM:20 OHM,5%,0.25W	19701	5043CX20R00J
A46A1R1026	317-0027-00	B042540	B055507	RES,FXD,CMPNSN:2.7 OHM,5%,0.125W	01121	BB27G5
A46A1U1012	156-0854-00	B042480	B055507	MICROCKT,LINEAR:OPNL AMPL	27014	LM308AN
A46A1U1020	156-1184-01	B042480	B055507	MICROCKT,LINEAR:12 BIT D/A CONVERTER	80009	156-1184-01
A46A1U1026	156-1184-02	B042480	B055507	MICROCKT,LINEAR:12 BIT D/A CONVERTER	80009	156-1184-02
A46A3	670-7939-00	B042480	B042539	CIRCUIT BD ASSY:INTFC	80009	670-7939-00
A46A3	670-7939-01	B042540	B055507	CIRCUIT BD ASSY:INTFC	80009	670-7939-01
A46A3C3011	283-0330-00	B042480	B055507	CAP,FXD,CER DI:100PF,5%,50V	05397	C320C101J5R5CA
A46A3C3014	283-0135-00	B042480	B055507	CAP,FXD,CER DI:100PF,5%,500V	91418	JK101J501959
A46A3CR3016	152-0141-02	B042480	B055507	SEMICON DVC,DI:SW,SI,30V,150MA,30V,DO-35	03508	DA2527 (1N4152)
A46A3CR3017	152-0141-02	B042480	B055507	SEMICON DVC,DI:SW,SI,30V,150MA,30V,DO-35	03508	DA2527 (1N4152)
A46A3CR3018	152-0141-02	B042480	B055507	SEMICON DVC,DI:SW,SI,30V,150MA,30V,DO-35	03508	DA2527 (1N4152)
A46A3Q3018	151-0736-00	B042480	B055507	TRANSISTOR:NPN,SI,TO-92	80009	151-0736-00

Replaceable Electrical Parts
492/492P Service Vol. 2 (B030000 & Up)

Component No.	Tektronix Part No.	Serial/Assembly No. Effective	Dscont	Name & Description	Mfr. Code	Mfr. Part No.
A46A3R3012	321-0193-00	B042480	B055507	RES, FXD, FILM:1K OHM, 1%, 0.125W, TC=TO	19701	5033ED1K00F
A46A3R3014	321-0260-00	B042480	B055507	RES, FXD, FILM:4.99K OHM, 1%, 0.125W, TC=TO	19701	5033ED4K990F
A46A3R3016	321-0260-00	B042480	B055507	RES, FXD, FILM:4.99K OHM, 1%, 0.125W, TC=TO	19701	5033ED4K990F
A46A3R3018	315-0200-00	B042480	B055507	RES, FXD, FILM:20 OHM, 5%, 0.25W	19701	5043CX20R00J
A46A3R3026	317-0027-00	B042540	B055507	RES, FXD, CMPSN:2.7 OHM, 5%, 0.125W	01121	BB27G5
A46A3U3012	156-0854-00	B042480	B055507	MICROCKT, LINEAR:OPNL AMPL	27014	LM308AN
A46A3U3020	156-1184-01	B042480	B055507	MICROCKT, LINEAR:12 BIT D/A CONVERTER	80009	156-1184-01
A46A3U3026	156-1184-02	B042480	B055507	MICROCKT, LINEAR:12 BIT D/A CONVERTER	80009	156-1184-02
A48	670-5550-01			CIRCUIT BD ASSY:SPAN ATTENUATOR	80009	670-5550-01
A48C1013	283-0111-00			CAP, FXD, CER DI:0.1UF, 20%, 50V	05397	C330C104M5U1CA
A48C1014	283-0111-00			CAP, FXD, CER DI:0.1UF, 20%, 50V	05397	C330C104M5U1CA
A48C1019	283-0111-00			CAP, FXD, CER DI:0.1UF, 20%, 50V	05397	C330C104M5U1CA
A48C1023	283-0111-00			CAP, FXD, CER DI:0.1UF, 20%, 50V	05397	C330C104M5U1CA
A48C1024	283-0111-00			CAP, FXD, CER DI:0.1UF, 20%, 50V	05397	C330C104M5U1CA
A48C1027	283-0111-00			CAP, FXD, CER DI:0.1UF, 20%, 50V	05397	C330C104M5U1CA
A48C1029	283-0111-00			CAP, FXD, CER DI:0.1UF, 20%, 50V	05397	C330C104M5U1CA
A48C1032	283-0111-00			CAP, FXD, CER DI:0.1UF, 20%, 50V	05397	C330C104M5U1CA
A48C1034	283-0111-00			CAP, FXD, CER DI:0.1UF, 20%, 50V	05397	C330C104M5U1CA
A48C1036	290-0535-00			CAP, FXD, ELCTLT:33UF, 20%, 10V TANTALUM	56289	196D336X0010KA1
A48C1058	283-0111-00			CAP, FXD, CER DI:0.1UF, 20%, 50V	05397	C330C104M5U1CA
A48C2024	283-0359-00			CAP, FXD, CER DI:1000PF, 10%, 200V	05397	C330C102K2G5CA
A48C2026	283-0111-00			CAP, FXD, CER DI:0.1UF, 20%, 50V	05397	C330C104M5U1CA
A48C2035	283-0111-00			CAP, FXD, CER DI:0.1UF, 20%, 50V	05397	C330C104M5U1CA
A48C2036	283-0111-00			CAP, FXD, CER DI:0.1UF, 20%, 50V	05397	C330C104M5U1CA
A48C2037	283-0111-00			CAP, FXD, CER DI:0.1UF, 20%, 50V	05397	C330C104M5U1CA
A48C2042	281-0525-00			CAP, FXD, CER DI:470PF, +/-94PF, 500V	52763	2RDPLZ007 470PMO
A48C2044	281-0523-00			CAP, FXD, CER DI:100PF, 20%, 350V	52763	2RDPLZ007 100PMU
A48C2050	283-0330-00	B041790		CAP, FXD, CER DI:100PF, 5%, 50V (492P ONLY)	05397	C320C101J5R5CA
A48C2052	283-0111-00			CAP, FXD, CER DI:0.1UF, 20%, 50V	05397	C330C104M5U1CA
A48C3031	283-0111-00			CAP, FXD, CER DI:0.1UF, 20%, 50V	05397	C330C104M5U1CA
A48C3032	283-0111-00			CAP, FXD, CER DI:0.1UF, 20%, 50V	05397	C330C104M5U1CA
A48C4035	283-0111-00			CAP, FXD, CER DI:0.1UF, 20%, 50V	05397	C330C104M5U1CA
A48C4038	290-0158-00			CAP, FXD, ELCTLT:50UF, +75-15%, 25V	26769	40LW506B025U1A
A48C4056	290-0574-00			CAP, FXD, ELCTLT:47UF, 10%, 20V	05397	T368C476K0202AS
A48C5013	283-0107-00			CAP, FXD, CER DI:51PF, 5%, 200V (492 ONLY)	04222	SR206A51QJAA
A48C5013	283-0107-00	B030000	B041789	CAP, FXD, CER DI:51PF, 5%, 200V (492P ONLY)	04222	SR206A51QJAA
A48C5018	283-0111-00			CAP, FXD, CER DI:0.1UF, 20%, 50V	05397	C330C104M5U1CA
A48C5038	290-0158-00			CAP, FXD, ELCTLT:50UF, +75-15%, 25V	26769	40LW506B025U1A
A48C5048	290-0574-00			CAP, FXD, ELCTLT:47UF, 10%, 20V	05397	T368C476K0202AS
A48C5055	290-0722-00			CAP, FXD, ELCTLT:100 UF, 20%, 10V	56289	196D107X0010PE3
A48CR1049	152-0141-02			SEMICON DVC, DI:SW, SI, 30V, 150MA, 30V, DO-35	03508	DA2527 (1N4152)
A48CR1051	152-0141-02			SEMICON DVC, DI:SW, SI, 30V, 150MA, 30V, DO-35	03508	DA2527 (1N4152)
A48CR1056	152-0141-02			SEMICON DVC, DI:SW, SI, 30V, 150MA, 30V, DO-35	03508	DA2527 (1N4152)
A48CR1061	152-0141-02			SEMICON DVC, DI:SW, SI, 30V, 150MA, 30V, DO-35	03508	DA2527 (1N4152)
A48CR2051	152-0141-02			SEMICON DVC, DI:SW, SI, 30V, 150MA, 30V, DO-35	03508	DA2527 (1N4152)
A48CR2053	152-0141-02			SEMICON DVC, DI:SW, SI, 30V, 150MA, 30V, DO-35	03508	DA2527 (1N4152)
A48CR3056	152-0141-02			SEMICON DVC, DI:SW, SI, 30V, 150MA, 30V, DO-35	03508	DA2527 (1N4152)
A48CR4056	152-0141-02			SEMICON DVC, DI:SW, SI, 30V, 150MA, 30V, DO-35	03508	DA2527 (1N4152)
A48CR4062	152-0141-02			SEMICON DVC, DI:SW, SI, 30V, 150MA, 30V, DO-35	03508	DA2527 (1N4152)
A48CR4068	152-0141-02			SEMICON DVC, DI:SW, SI, 30V, 150MA, 30V, DO-35	03508	DA2527 (1N4152)
A48CR4069	152-0141-02			SEMICON DVC, DI:SW, SI, 30V, 150MA, 30V, DO-35	03508	DA2527 (1N4152)
A48K3065	148-0079-00			RELAY, REED:2 FORM A, 110MA, 28VDC, COIL 5VDC	15636	RA30382051-99
A48K3075	148-0079-00			RELAY, REED:2 FORM A, 110MA, 28VDC, COIL 5VDC	15636	RA30382051-99
A48K4055	148-0064-00			RELAY, REED:FORM A, 110MA, 28VDC	95348	F81-1441
A48K4062	148-0064-00			RELAY, REED:FORM A, 110MA, 28VDC	95348	F81-1441

Replaceable Electrical Parts
492/492P Service Vol. 2 (B030000 & Up)

Component No.	Tektronix Part No.	Serial/Assembly No. Effective Dscnt	Name & Description	Mfr. Code	Mfr. Part No.
A48K4072	148-0079-00		RELAY, REED:2 FORM A, 110MA, 28VDC, COIL 5VDC	15636	RA30382051-99
A48L4048	108-0881-00		COIL, RF: FIXED, 40.1UH	80009	108-0881-00
A48L4053	108-0417-01		COIL, RF: FIXED, 110UH	80009	108-0417-01
A48L4055	108-0881-00		COIL, RF: FIXED, 40.1UH	80009	108-0881-00
A48Q1037	151-0629-00		SEMICON DVC, PH: NPN, SI, 0.1W, TO-18	07263	FPT 110
A48Q2023	151-0301-00		TRANSISTOR: PNP, SI, TO-18	04713	ST898
A48Q2025	151-1022-00		TRANSISTOR: FET, N-CHAN, SI, TO-18	80009	151-1022-00
A48Q2028	151-1022-00		TRANSISTOR: FET, N-CHAN, SI, TO-18	80009	151-1022-00
A48Q2062	151-0390-00		TRANSISTOR: NPN, SI, X-81	04713	SPS34140RMPSU45
A48Q3056	151-0391-00		TRANSISTOR: PNP, SI, X-81	04713	SPS6867K
A48R1013	315-0103-00		RES, FXD, FILM: 10K OHM, 5%, 0.25W	19701	5043CX10K00J
A48R1014	315-0103-00		RES, FXD, FILM: 10K OHM, 5%, 0.25W	19701	5043CX10K00J
A48R1019	315-0103-00		RES, FXD, FILM: 10K OHM, 5%, 0.25W	19701	5043CX10K00J
A48R1023	315-0103-00		RES, FXD, FILM: 10K OHM, 5%, 0.25W	19701	5043CX10K00J
A48R1024	315-0103-00		RES, FXD, FILM: 10K OHM, 5%, 0.25W	19701	5043CX10K00J
A48R1027	315-0103-00		RES, FXD, FILM: 10K OHM, 5%, 0.25W	19701	5043CX10K00J
A48R1032	315-0103-00		RES, FXD, FILM: 10K OHM, 5%, 0.25W	19701	5043CX10K00J
A48R1033	315-0472-00		RES, FXD, FILM: 4.7K OHM, 5%, 0.25W	57668	NTR25J-E04K7
A48R1034	315-0103-00		RES, FXD, FILM: 10K OHM, 5%, 0.25W	19701	5043CX10K00J
A48R1046	315-0106-00		RES, FXD, FILM: 10M OHM, 5%, 0.25W	01121	CB1065
A48R1052	315-0431-00		RES, FXD, FILM: 430 OHM, 5%, 0.25W	19701	5043CX430R0J
A48R1054	315-0102-00		RES, FXD, FILM: 1K OHM, 5%, 0.25W	57668	NTR25JE01K0
A48R1056	321-0222-00		RES, FXD, FILM: 2.00K OHM, 1%, 0.125W, TC=TO	19701	5033ED2K00F
A48R1058	315-0300-00		RES, FXD, FILM: 30 OHM, 5%, 0.25W	19701	5043CX30R00J
A48R1059	315-0300-00		RES, FXD, FILM: 30 OHM, 5%, 0.25W	19701	5043CX30R00J
A48R1063	311-1336-00		RES, VAR, NONNW: TRMR, 100K OHM, 0.75W	02111	43P104T672
A48R1065	311-1339-00		RES, VAR, NONNW: TRMR, 5K OHM, 0.75W	02111	43P502T672
A48R1067	311-1339-00		RES, VAR, NONNW: TRMR, 5K OHM, 0.75W	02111	43P502T672
A48R1071	311-1339-00		RES, VAR, NONNW: TRMR, 5K OHM, 0.75W	02111	43P502T672
A48R1077	321-0001-00		RES, FXD, FILM: 10 OHM, 1%, 0.125W, TC=TO	19701	5033RD10R00FMS
A48R2019	315-0103-00		RES, FXD, FILM: 10K OHM, 5%, 0.25W	19701	5043CX10K00J
A48R2022	315-0103-00		RES, FXD, FILM: 10K OHM, 5%, 0.25W	19701	5043CX10K00J
A48R2035	315-0103-00		RES, FXD, FILM: 10K OHM, 5%, 0.25W	19701	5043CX10K00J
A48R2036	315-0103-00		RES, FXD, FILM: 10K OHM, 5%, 0.25W	19701	5043CX10K00J
A48R2038	321-0306-00		RES, FXD, FILM: 15.0K OHM, 1%, 0.125W, TC=TO	19701	5033ED15J00F
A48R2044	321-0299-00		RES, FXD, FILM: 12.7K OHM, 1%, 0.125W, TC=TO	19701	5033ED12K70F
A48R2046	315-0512-00		RES, FXD, FILM: 5.1K OHM, 5%, 0.25W	57668	NTR25J-E05K1
A48R2048	315-0203-00		RES, FXD, FILM: 20K OHM, 5%, 0.25W	57668	NTR25J-E 20K
A48R2049	315-0431-00		RES, FXD, FILM: 430 OHM, 5%, 0.25W	19701	5043CX430R0J
A48R2050	315-0431-00	B041790	RES, FXD, FILM: 430 OHM, 5%, 0.25W (492P ONLY)	19701	5043CX430R0J
A48R2051	315-0102-00		RES, FXD, FILM: 1K OHM, 5%, 0.25W	57668	NTR25JE01K0
A48R2053	315-0203-00		RES, FXD, FILM: 20K OHM, 5%, 0.25W	57668	NTR25J-E 20K
A48R2066	308-0756-00		RES, FXD, WW: 100 OHM, 1%, 3W	14193	SA31-1000F
A48R2068	321-0754-07		RES, FXD, FILM: 900 OHM, 0.1%, 0.125W, TC=T9	19701	5033RE900R0B
A48R2072	321-0895-07		RES, FXD, FILM: 90 OHM, 0.1%, 0.125W, TC=T9	57668	RB14 BZE 90E
A48R2074	321-0895-07		RES, FXD, FILM: 90 OHM, 0.1%, 0.125W, TC=T9	57668	RB14 BZE 90E
A48R2076	321-0001-00		RES, FXD, FILM: 10 OHM, 1%, 0.125W, TC=TO	19701	5033RD10R00FMS
A48R3022	315-0475-00		RES, FXD, FILM: 4.7M OHM, 5%, 0.25W	01121	CB4755
A48R3024	315-0105-00		RES, FXD, FILM: 1M OHM, 5%, 0.25W	19701	5043CX1M000J
A48R3026	315-0104-00		RES, FXD, FILM: 100K OHM, 5%, 0.25W	57668	NTR25J-E100K
A48R3028	321-0306-00		RES, FXD, FILM: 15.0K OHM, 1%, 0.125W, TC=TO	19701	5033ED15J00F
A48R3029	315-0153-00		RES, FXD, FILM: 15K OHM, 5%, 0.25W	19701	5043CX15K00J
A48R3036	321-0289-00		RES, FXD, FILM: 10.0K OHM, 1%, 0.125W, TC=TO	19701	5033ED10K0F
A48R3038	321-0289-00		RES, FXD, FILM: 10.0K OHM, 1%, 0.125W, TC=TO	19701	5033ED10K0F
A48R3042	321-0299-00		RES, FXD, FILM: 12.7K OHM, 1%, 0.125W, TC=TO	19701	5033ED12K70F
A48R3044	321-0289-00		RES, FXD, FILM: 10.0K OHM, 1%, 0.125W, TC=TO	19701	5033ED10K0F
A48R3046	321-0299-00		RES, FXD, FILM: 12.7K OHM, 1%, 0.125W, TC=TO	19701	5033ED12K70F

Replaceable Electrical Parts
492/492P Service Vol. 2 (B030000 & Up)

Component No.	Tektronix Part No.	Serial/Assembly No.		Name & Description	Mfr. Code	Mfr. Part No.
		Effective	Discont			
A48R3047	315-0103-00			RES,FXD,FILM:10K OHM,5%,0.25W	19701	5043CX10K00J
A48R3048	321-0289-00			RES,FXD,FILM:10.0K OHM,1%,0.125W,TC=T0	19701	5033ED10K0F
A48R4032	315-0102-00			RES,FXD,FILM:1K OHM,5%,0.25W	57668	NTR25JE01K0
A48R4034	315-0102-00			RES,FXD,FILM:1K OHM,5%,0.25W	57668	NTR25JE01K0
A48R4035	315-0102-00			RES,FXD,FILM:1K OHM,5%,0.25W	57668	NTR25JE01K0
A48R4036	315-0103-00			RES,FXD,FILM:10K OHM,5%,0.25W	19701	5043CX10K00J
A48R4037	315-0103-00			RES,FXD,FILM:10K OHM,5%,0.25W	19701	5043CX10K00J
A48R4038	315-0103-00			RES,FXD,FILM:10K OHM,5%,0.25W	19701	5043CX10K00J
A48R4056	315-0470-00			RES,FXD,FILM:47 OHM,5%,0.25W	57668	NTR25J-E47E0
A48R4064	321-0001-00			RES,FXD,FILM:10 OHM,1%,0.125W,TC=T0	19701	5033RD10R00FMS
A48R4065	321-0754-07			RES,FXD,FILM:900 OHM,0.1%,0.125W,TC=T9	19701	5033RE900R0B
A48R4066	321-0895-07			RES,FXD,FILM:90 OHM,0.1%,0.125W,TC=T9	57668	RB14 BZE 90E
A48R5052	315-0470-00			RES,FXD,FILM:47 OHM,5%,0.25W	57668	NTR25J-E47E0
A48R5058	322-0043-00			RES,FXD,FILM:27.4 OHM,1%,0.25W,TC=T0	91637	CMF55116
A48R5068	321-0097-00			RES,FXD,FILM:100 OHM,1%,0.125W,TC=T0	91637	CMF55116G100R0F
A48U1025	156-0913-02			MICROCKT,DGTL:OCTAL D FF W/ENABLE,SCRN	01295	SN74LS377NP3
A48U1042	156-0719-00			MICROCKT,LINEAR:CMOS,10 BIT MULTIPLYING DAC	24355	AD7533LN
A48U2015	156-0913-02			MICROCKT,DGTL:OCTAL D FF W/ENABLE,SCRN	01295	SN74LS377NP3
A48U2042	156-0512-02	B030000	B041473	MICROCKT,LINEAR:OPNL AMPL,SELECTED (492 ONLY)	04713	LM308J-8DS
A48U2042	156-0512-03	B041474		MICROCKT,LINEAR:OPNL AMPL (492 ONLY)	04713	LM308J-8
A48U2042	156-0512-02	B030000	B041669	MICROCKT,LINEAR:OPNL AMPL,SELECTED (492P ONLY)	04713	LM308J-8DS
A48U2042	156-0512-03	B041670		MICROCKT,LINEAR:OPNL AMPL (492P ONLY)	04713	LM308J-8
A48U3025	156-1256-00			MICROCKT,LINEAR:MONOLITHIC QUAD ANALOG	32293	IH5010CDD/CJD
A48U3032	156-0512-02	B030000	B041473	MICROCKT,LINEAR:OPNL AMPL,SELECTED (492 ONLY)	04713	LM308J-8DS
A48U3032	156-0512-03	B041474		MICROCKT,LINEAR:OPNL AMPL (492 ONLY)	04713	LM308J-8
A48U3032	156-0512-02	B030000	B041669	MICROCKT,LINEAR:OPNL AMPL,SELECTED (492P ONLY)	04713	LM308J-8DS
A48U3032	156-0512-03	B041670		MICROCKT,LINEAR:OPNL AMPL (492P ONLY)	04713	LM308J-8
A48U3036	156-0512-02	B030000	B041473	MICROCKT,LINEAR:OPNL AMPL,SELECTED (492 ONLY)	04713	LM308J-8DS
A48U3036	156-0512-03	B041474		MICROCKT,LINEAR:OPNL AMPL (492 ONLY)	04713	LM308J-8
A48U3036	156-0512-02	B030000	B041669	MICROCKT,LINEAR:OPNL AMPL,SELECTED (492P ONLY)	04713	LM308J-8DS
A48U3036	156-0512-03	B041670		MICROCKT,LINEAR:OPNL AMPL (492P ONLY)	04713	LM308J-8
A48U4015	156-0956-02			MICROCKT,DGTL:OCTAL BFR W/3 STATE OUT,SCRN	01295	SN74LS244NP3
A48U4025	156-0541-02			MICROCKT,DGTL:DUAL 2-TO 4-LINE DCDR/DEMUX	04713	SN74LS139NDS
A48U4042	156-0140-02			MICROCKT,DGTL:HEX BUFFERS W/OC HV OUT,	18324	N7417(NB OR FB)
A48U5025	156-0469-02			MICROCKT,DGTL:3/8 LINE DCDR,SCRN	01295	SN74LS138NP3
A48VR1044	152-0514-00			SEMICON DVC,DI:ZEN,SI,10V,1%,0.4W,DO-7	04713	SZG15RL
A50	119-1069-00	B030000	B031129	PHASE LOCK ASSY:SYNTHESIZER (492 OPTION 03 ONLY)	80009	119-1069-00
A50	119-1069-01	B031130	B031279	PHASE LOCK ASSY:SYNTHESIZER (492 OPTION 03 ONLY)	80009	119-1069-01
A50	119-1069-02	B031280	B053912	PHASE LOCK ASSY:SYNTHESIZER (492 OPTION 03 ONLY)	80009	119-1069-02
A50	119-1069-03	B053913	B054333	PHASE LOCK ASSY:SYNTHESIZER (492 OPTION 03 ONLY)	80009	119-1069-03
A50	119-1069-04	B054334	B055784	PHASE LOCK ASSY:SYNTHESIZER (492 OPTION 03 ONLY)	80009	119-1069-04
A50	119-1069-05	B055785		PHASE LOCK ASSY:SYNTHESIZER (492 OPTION 03 ONLY)	80009	119-1069-05
A50	119-1069-00	B030000	B031460	PHASE LOCK ASSY:SYNTHESIZER (492P OPTION 03 ONLY)	80009	119-1069-00

Component No.	Tektronix Part No.	Serial/Assembly No. Effective	Dscont	Name & Description	Mfr. Code	Mfr. Part No.
A50	119-1069-01	B031461	B041659	PHASE LOCK ASSY:SYNTHESIZER (492P OPTION 03 ONLY)	80009	119-1069-01
A50	119-1069-02	B041660	B053912	PHASE LOCK ASSY:SYNTHESIZER (492P OPTION 03 ONLY)	80009	119-1069-02
A50	119-1069-03	B053913	B054333	PHASE LOCK ASSY:SYNTHESIZER (492P OPTION 03 ONLY)	80009	119-1069-03
A50	119-1069-04	B054334	B055784	PHASE LOCK ASSY:SYNTHESIZER (492P OPTION 03 ONLY)	80009	119-1069-04
A50	119-1069-05	B055785		PHASE LOCK ASSY:SYNTHESIZER (492P OPTION 03 ONLY)	80009	119-1069-05
A50R2045	315-0243-00	B031130		RES,FXD,FILM:24K OHM,5%,0.25W (492 ONLY)	57668	NTR25J-E24K0
A50R2045	315-0243-00	B031461		RES,FXD,FILM:24K OHM,5%,0.25W (492P ONLY)	57668	NTR25J-E24K0
A50A1	670-5519-00	B030000	B053874	CIRCUIT BD ASSY:SYNTHESIZER (OPTION 03 ONLY)	80009	670-5519-00
A50A1	670-5519-01	B053875		CIRCUIT BD ASSY:SYNTHESIZER (OPTION 03 ONLY)	80009	670-5519-01
A50A1C1010	283-0203-00			CAP,FXD,CER DI:0.47UF,20%,50V	04222	SR305SC474MAA
A50A1C1030	283-0032-00			CAP,FXD,CER DI:470PF,5%,500V	59660	831-000-Z5E0471J
A50A1C1040	283-0177-00			CAP,FXD,CER DI:1UF,+80-20%,25V	04222	SR302E105ZAATR
A50A1C2010	283-0032-00			CAP,FXD,CER DI:470PF,5%,500V	59660	831-000-Z5E0471J
A50A1C2020	283-0032-00			CAP,FXD,CER DI:470PF,5%,500V	59660	831-000-Z5E0471J
A50A1C2021	283-0177-00			CAP,FXD,CER DI:1UF,+80-20%,25V	04222	SR302E105ZAATR
A50A1C2040	283-0032-00			CAP,FXD,CER DI:470PF,5%,500V	59660	831-000-Z5E0471J
A50A1C2050	283-0177-00			CAP,FXD,CER DI:1UF,+80-20%,25V	04222	SR302E105ZAATR
A50A1C2051	290-0513-00			CAP,FXD,ELCTLT:510UF,+75-10%,25V	26769	40EW517C015U1A
A50A1C3029	283-0156-00			CAP,FXD,CER DI:0.001 UF,+80-20%,200V	05397	C315C1022R5CA
A50A1C3030	283-0010-00			CAP,FXD,CER DI:0.05UF,+80-20%,50V	04222	SR305E503ZAA
A50A1C3031	283-0032-00			CAP,FXD,CER DI:470PF,5%,500V	59660	831-000-Z5E0471J
A50A1L3029	108-0311-00			COIL,RF:FIXED,150NH	TK1345	108-0311-00
A50A1Q3040	151-0188-00			TRANSISTOR:PNP,SI,TO-92	80009	151-0188-00
A50A1Q3041	151-0188-00			TRANSISTOR:PNP,SI,TO-92	80009	151-0188-00
A50A1R1040	315-0103-00			RES,FXD,FILM:10K OHM,5%,0.25W	19701	5043CX10K00J
A50A1R2040	315-0102-00			RES,FXD,FILM:1K OHM,5%,0.25W	57668	NTR25JE01K0
A50A1R2041	315-0102-00			RES,FXD,FILM:1K OHM,5%,0.25W	57668	NTR25JE01K0
A50A1R2042	315-0102-00			RES,FXD,FILM:1K OHM,5%,0.25W	57668	NTR25JE01K0
A50A1R2043	315-0100-00			RES,FXD,FILM:10 OHM,5%,0.25W	19701	5043CX10RR00J
A50A1R2044	315-0300-00	B030000	B053874	RES,FXD,FILM:30 OHM,5%,0.25W	19701	5043CX30R00J
A50A1R2044	315-0100-00	B053875		RES,FXD,FILM:10 OHM,5%,0.25W	19701	5043CX10RR00J
A50A1R3020	315-0391-00			RES,FXD,FILM:390 OHM,5%,0.25W	57668	NTR25J-E390E
A50A1R3021	315-0101-00			RES,FXD,FILM:100 OHM,5%,0.25W	57668	NTR25J-E 100E
A50A1R3022	315-0101-00			RES,FXD,FILM:100 OHM,5%,0.25W	57668	NTR25J-E 100E
A50A1R3023	315-0241-00			RES,FXD,FILM:240 OHM,5%,0.25W	19701	5043CX240R0J
A50A1R3040	315-0101-00	B030000	B053874	RES,FXD,FILM:100 OHM,5%,0.25W	57668	NTR25J-E 100E
A50A1R3040	315-0100-00	B053875		RES,FXD,FILM:10 OHM,5%,0.25W	19701	5043CX10RR00J
A50A1R3041	315-0471-00			RES,FXD,FILM:470 OHM,5%,0.25W	57668	NTR25J-E470E
A50A1R3042	315-0471-00			RES,FXD,FILM:470 OHM,5%,0.25W	57668	NTR25J-E470E
A50A1R3043	315-0101-00	B030000	B053874	RES,FXD,FILM:100 OHM,5%,0.25W	57668	NTR25J-E 100E
A50A1R3043	315-0100-00	B053875		RES,FXD,FILM:10 OHM,5%,0.25W	19701	5043CX10RR00J
A50A1R3050	315-0201-00	B030000	B053874	RES,FXD,FILM:200 OHM,5%,0.25W	57668	NTR25J-E200E
A50A1R3050	315-0101-00	B053875		RES,FXD,FILM:100 OHM,5%,0.25W	57668	NTR25J-E 100E
A50A1R3051	315-0201-00			RES,FXD,FILM:200 OHM,5%,0.25W	57668	NTR25J-E200E
A50A1U1010	156-0277-00			MICROCKT,LINER:VOLTAGE REGULATOR	04713	LM340T-5.0
A50A1U1020	156-0844-02			MICROCKT,DGTL:SYN 4 BIT CNTR,SCRN	01295	SN74LS161A(NP3)
A50A1U1030	156-0844-02			MICROCKT,DGTL:SYN 4 BIT CNTR,SCRN	01295	SN74LS161A(NP3)
A50A1U1040	156-0331-03			MICROCKT,DGTL:DJAL D TYPE POSITIVE EDGE	01295	SN74S74NP3
A50A1U2010	156-0844-02			MICROCKT,DGTL:SYN 4 BIT CNTR,SCRN	01295	SN74LS161A(NP3)
A50A1U2020	156-0796-00			MICROCKT,DGTL:8 STG SHF & STORE BUS RGR	02735	CD4094BF

Replaceable Electrical Parts
492/492P Service Vol. 2 (B030000 & Up)

Component No.	Tektronix Part No.	Serial/Assembly No. Effective	Discnt	Name & Description	Mfr. Code	Mfr. Part No.
A50A1U2030	156-0796-00			MICROCKT,DGTL:8 STG SHF & STORE BUS RGTR	02735	CD4094BF
A50A1U3030	156-0230-00			MICROCKT,DGTL:ECL,DUAL D MASTER-SLAVE FF	04713	MC10131(L OR P)
A50A2	670-5520-01	B030000	B031129	CIRCUIT BD ASSY:STROBE DRIVER (OPTION 03 ONLY)	80009	670-5520-01
A50A2	670-5520-02	B031130		CIRCUIT BD ASSY:STROBE DRIVER (OPTION 03 ONLY)	80009	670-5520-02
A50A2C1018	290-0527-00			CAP,FXD,ELCTL:15UF,20%,20V	05397	T368B156M020AS
A50A2C1019	281-0812-00			CAP,FXD,CER DI:1000PF,10%,100V	04222	MA101C102KAA
A50A2C1031	283-0203-00			CAP,FXD,CER DI:0.47UF,20%,50V	04222	SR305SC474MAA
A50A2C1032	281-0219-00	B030000	B042669	CAP,VAR,CER DI:5-35PF,+2 -2.5%,100V	59660	513-011 A 5-35
A50A2C1032	281-0509-00	B042670		CAP,FXD,CER DI:15PF,+/-1.5PF,500V (SELECTED)	59660	301-000C0G0-150K
A50A2C2011	283-0111-00			CAP,FXD,CER DI:0.1UF,20%,50V	05397	C330C104M5U1CA
A50A2C2030	283-0331-00			CAP,FXD,CER DI:43PF,2%,100V	59660	0805536C0G0430G
A50A2C2033	283-0154-00			CAP,FXD,CER DI:22PF,5%,50V	04222	SR155A220JAA
A50A2C2092	283-0107-00			CAP,FXD,CER DI:51PF,5%,200V	04222	SR206A510JAA
A50A2C2101	283-0203-00			CAP,FXD,CER DI:0.47UF,20%,50V	04222	SR305SC474MAA
A50A2C2102	283-0203-00			CAP,FXD,CER DI:0.47UF,20%,50V	04222	SR305SC474MAA
A50A2C2103	283-0059-00			CAP,FXD,CER DI:1UF,+80-20%,50V	31433	C330C105M5R5CA
A50A2C2105	281-0219-00	B030000	B042669	CAP,VAR,CER DI:5-35PF,+2 -2.5%,100V	59660	513-011 A 5-35
A50A2C2105	281-0509-00	B042670		CAP,FXD,CER DI:15PF,+/-1.5PF,500V (SELECTED)	59660	301-000C0G0-150K
A50A2F2064	119-1029-00			FILTER,BANDPASS:5.00674 TO 5.0188 MHZ	80009	119-1029-00
A50A2L1031	108-0249-00			CHOKER,RF:FIXED,12MF	76493	B-4992
A50A2L2089	108-0249-00			CHOKER,RF:FIXED,12MF	76493	B-4992
A50A2Q2091	151-1022-00			TRANSISTOR:FET,N-CHAN,SI,TO-18	80009	151-1022-00
A50A2R2024	315-0471-00			RES,FXD,FILM:470 OHM,5%,0.25W	57668	NTR25J-E470E
A50A2R2032	315-0430-00			RES,FXD,FILM:43 OHM,5%,0.25W	19701	5043CX43R00J
A50A2R2033	315-0201-00			RES,FXD,FILM:200 OHM,5%,0.25W	57668	NTR25J-E200E
A50A2R2086	321-0281-00			RES,FXD,FILM:8.25K OHM,1%,0.125W,TC=TO	19701	5043ED8K250F
A50A2R2091	315-0201-00	B030000	B031129	RES,FXD,FILM:200 OHM,5%,0.25W	57668	NTR25J-E200E
A50A2R2091	315-0151-00	B031130		RES,FXD,FILM:150 OHM,5%,0.25W	57668	NTR25J-E150E
A50A2R2102	315-0510-00			RES,FXD,FILM:51 OHM,5%,0.25W	19701	5043CX51R00J
A50A2R2103	315-0470-00			RES,FXD,FILM:47 OHM,5%,0.25W	57668	NTR25J-E470E
A50A2R2105	315-0470-00			RES,FXD,FILM:47 OHM,5%,0.25W	57668	NTR25J-E470E
A50A2U1015	156-0991-00			MICROCKT,LINER:VOLTAGE REGULATOR	04713	MC78L05ACP
A50A2U1022	156-0765-04			MICROCKT,DGTL:SYN UP/DN BINARY CNTR,SCRN	01295	SN74S169N3
A50A2U1091	156-0459-02			MICROCKT,DGTL:QUAD 2 INPUT & GATE,BURN IN	18324	N74S08(NB OR FB)
A50A3	670-5522-01	B030000	B055784	CIRCUIT BD ASSY:OFFSET MIXER (OPTION 03 ONLY)	80009	670-5522-01
A50A3	670-5522-02	B055785		CIRCUIT BD ASSY:OFFSET MIXER (OPTION 03 ONLY)	80009	670-5522-02
A50A3C1022	283-0203-00			CAP,FXD,CER DI:0.47UF,20%,50V	04222	SR305SC474MAA
A50A3C1030	290-0527-00			CAP,FXD,ELCTL:15UF,20%,20V	05397	T368B156M020AS
A50A3C1031	283-0010-00			CAP,FXD,CER DI:0.05UF,+80-20%,50V	04222	SR305E503ZAA
A50A3C1040	283-0203-00			CAP,FXD,CER DI:0.47UF,20%,50V	04222	SR305SC474MAA
A50A3C1050	283-0010-00			CAP,FXD,CER DI:0.05UF,+80-20%,50V	04222	SR305E503ZAA
A50A3C2012	283-0010-00			CAP,FXD,CER DI:0.05UF,+80-20%,50V	04222	SR305E503ZAA
A50A3C2020	283-0010-00			CAP,FXD,CER DI:0.05UF,+80-20%,50V	04222	SR305E503ZAA
A50A3C2041	283-0010-00			CAP,FXD,CER DI:0.05UF,+80-20%,50V	04222	SR305E503ZAA
A50A3C2050	290-0513-00			CAP,FXD,ELCTL:510UF,+75-10%,25V	26769	40EW517C015U1A
A50A3CR1010	152-0322-00			SEMICON DVC,DI:SCHOTTKY,SI,15V,DO-35	50434	5082-2672
A50A3CR1011	152-0322-00			SEMICON DVC,DI:SCHOTTKY,SI,15V,DO-35	50434	5082-2672
A50A3CR2010	152-0322-00			SEMICON DVC,DI:SCHOTTKY,SI,15V,DO-35	50434	5082-2672
A50A3CR2021	152-0322-00			SEMICON DVC,DI:SCHOTTKY,SI,15V,DO-35	50434	5082-2672
A50A3L2020	108-0226-00			COIL,RF:FIXED,100UH	76493	B4257
A50A3Q1020	151-0301-00			TRANSISTOR:PNP,SI,TO-18	04713	ST898
A50A3Q1030	151-0301-00			TRANSISTOR:PNP,SI,TO-18	04713	ST898
A50A3Q1040	151-0302-00			TRANSISTOR:NPN,SI,TO-18	04713	ST899

Replaceable Electrical Parts
492/492P Service Vol. 2 (B030000 & Up)

Component No.	Tektronix Part No.	Serial/Assembly No.		Name & Description	Mfr. Code	Mfr. Part No.
		Effective	Dscont			
A50A3Q2021	151-0434-00			TRANSISTOR:PNP,SI,TO-72	04713	SS7144
A50A3R1010	321-0068-00			RES,FXD,FILM:49.9 OHM,0.5%,0.125W,TC=TO	91637	CMF55116G49R90F
A50A3R1011	321-0068-00			RES,FXD,FILM:49.9 OHM,0.5%,0.125W,TC=TO	91637	CMF55116G49R90F
A50A3R1020	315-0202-00			RES,FXD,FILM:2K OHM,5%,0.25W	57668	NTR25J-E 2K
A50A3R1022	315-0510-00			RES,FXD,FILM:51 OHM,5%,0.25W	19701	5043CX51R00J
A50A3R1023	315-0101-00			RES,FXD,FILM:100 OHM,5%,0.25W	57668	NTR25J-E 100E
A50A3R1030	315-0202-00			RES,FXD,FILM:2K OHM,5%,0.25W	57668	NTR25J-E 2K
A50A3R1031	315-0432-00			RES,FXD,FILM:4.3K OHM,5%,0.25W	57668	NTR25J-E04K3
A50A3R1040	315-0100-00			RES,FXD,FILM:10 OHM,5%,0.25W	19701	5043CX10RR00J
A50A3R1041	315-0102-00			RES,FXD,FILM:1K OHM,5%,0.25W	57668	NTR25JE01K0
A50A3R1042	315-0102-00			RES,FXD,FILM:1K OHM,5%,0.25W	57668	NTR25JE01K0
A50A3R1050	315-0102-00	B030000	B055784	RES,FXD,FILM:1K OHM,5%,0.25W	57668	NTR25JE01K0
A50A3R1050	315-0202-00	B055785		RES,FXD,FILM:2K OHM,5%,0.25W	57668	NTR25J-E 2K
A50A3R2010	321-0068-00			RES,FXD,FILM:49.9 OHM,0.5%,0.125W,TC=TO	91637	CMF55116G49R90F
A50A3R2021	321-0068-00			RES,FXD,FILM:49.9 OHM,0.5%,0.125W,TC=TO	91637	CMF55116G49R90F
A50A3R2025	315-0471-00			RES,FXD,FILM:470 OHM,5%,0.25W	57668	NTR25J-E470E
A50A3R2026	315-0102-00			RES,FXD,FILM:1K OHM,5%,0.25W	57668	NTR25JE01K0
A50A3R2030	315-0510-00			RES,FXD,FILM:51 OHM,5%,0.25W	19701	5043CX51R00J
A50A3R2031	315-0103-00			RES,FXD,FILM:10K OHM,5%,0.25W	19701	5043CX10K00J
A50A3R2032	315-0510-00			RES,FXD,FILM:51 OHM,5%,0.25W	19701	5043CX51R00J
A50A3R2040	315-0102-00	B030000	B055784	RES,FXD,FILM:1K OHM,5%,0.25W	57668	NTR25JE01K0
A50A3R2040	315-0202-00	B055785		RES,FXD,FILM:2K OHM,5%,0.25W	57668	NTR25J-E 2K
A50A3T1010	120-1011-00			TRANSFORMER,RF:TOROID	80009	120-1011-00
A50A3T2010	120-1011-00			TRANSFORMER,RF:TOROID	80009	120-1011-00
A50A3T2030	120-0459-00			XFMR,TOROID:	80009	120-0459-00
A50A3U1030	156-0991-00			MICROCKT,LINEAR:VOLTAGE REGULATOR	04713	MC78L05ACP
A50A3U2040	156-0991-00			MICROCKT,LINEAR:VOLTAGE REGULATOR	04713	MC78L05ACP
A50A3U2050	156-0386-02			MICROCKT,DGTL:TRIPLE 3-INP NAND GATE,SCRN	07263	74LS10PCQR
A50A4	670-5521-03	B030000	B031129	CIRCUIT BD ASSY:ERROR AMPL (492 OPTION 03 ONLY)	80009	670-5521-03
A50A4	670-5521-04	B031130	B031279	CIRCUIT BD ASSY:ERROR AMPL (492 OPTION 03 ONLY)	80009	670-5521-04
A50A4	670-5521-05	B031280	B054333	CIRCUIT BD ASSY:ERROR AMPL (492 OPTION 03 ONLY)	80009	670-5521-05
A50A4	670-5521-06	B054334	B055784	CIRCUIT BD ASSY:ERROR AMPL (492 OPTION 03 ONLY)	80009	670-5521-06
A50A4	670-5521-07	B055785		CIRCUIT BD ASSY:ERROR AMPL (492 OPTION 03 ONLY)	80009	670-5521-07
A50A4	670-5521-03	B030000	B031460	CIRCUIT BD ASSY:ERROR AMPL (492P OPTION 03 ONLY)	80009	670-5521-03
A50A4	670-5521-04	B031461	B041659	CIRCUIT BD ASSY:ERROR AMPL (492P OPTION 03 ONLY)	80009	670-5521-04
A50A4	670-5521-05	B041660	B054333	CIRCUIT BD ASSY:ERROR AMPL (492P OPTION 03 ONLY)	80009	670-5521-05
A50A4	670-5521-06	B054334	B055784	CIRCUIT BD ASSY:ERROR AMPL (492P OPTION 03 ONLY)	80009	670-5521-06
A50A4	670-5521-07	B055785		CIRCUIT BD ASSY:ERROR AMPL (492P OPTION 03 ONLY)	80009	670-5521-07
A50A4C1011	283-0204-00			CAP,FXD,CER DI:0.01UF,20%,50V	04222	SR155E103MAA
A50A4C1012	283-0204-00			CAP,FXD,CER DI:0.01UF,20%,50V	04222	SR155E103MAA
A50A4C1031	283-0177-00			CAP,FXD,CER DI:1UF,+80-20%,25V	04222	SR302E105ZAATR
A50A4C1032	283-0204-00			CAP,FXD,CER DI:0.01UF,20%,50V	04222	SR155E103MAA
A50A4C1037	283-0177-00			CAP,FXD,CER DI:1UF,+80-20%,25V	04222	SR302E105ZAATR
A50A4C1038	283-0339-00	B031130		CAP,FXD,CER DI:0.22UF,10%,50V (492 ONLY)	05397	C330C224K5R5CA
A50A4C1038	283-0339-00	B031461		CAP,FXD,CER DI:0.22UF,10%,50V (492P ONLY)	05397	C330C224K5R5CA
A50A4C1068	283-0177-00			CAP,FXD,CER DI:1UF,+80-20%,25V	04222	SR302E105ZAATR
A50A4C1078	283-0177-00	B030000	B031129	CAP,FXD,CER DI:1UF,+80-20%,25V (492 ONLY)	04222	SR302E105ZAATR
A50A4C1078	290-0782-00	B031130		CAP,FXD,ELCTLT:4.7UF,+75-10%,35VDC	55680	ULB1V4R7TAAANA

Replaceable Electrical Parts
492/492P Service Vol. 2 (B030000 & Up)

Component No.	Tektronix Part No.	Serial/Assembly No. Effective	Dscont	Name & Description	Mfr. Code	Mfr. Part No.
A50A4C1078	283-0177-00	B030000	B031460	(492 ONLY) CAP, FXD, CER DI: 1UF, +80-20%, 25V	04222	SR302E105ZAATR
A50A4C1078	290-0782-00	B031461		(492P ONLY) CAP, FXD, ELCTLT: 4.7UF, +75-10%, 35VDC	55680	ULB1V4R7TAAANA
A50A4C1079	283-0032-00			CAP, FXD, CER DI: 470PF, 5%, 500V	59660	831-000-Z5E0471J
A50A4C2013	283-0204-00			CAP, FXD, CER DI: 0.01UF, 20%, 50V	04222	SR155E103MAA
A50A4C2015	283-0204-00			CAP, FXD, CER DI: 0.01UF, 20%, 50V	04222	SR155E103MAA
A50A4C2017	283-0028-00	B031130		CAP, FXD, CER DI: 0.0022UF, 20%, 50V	59660	0805585Y5S0222M
A50A4C2017	283-0028-00	B031461		(492 ONLY) CAP, FXD, CER DI: 0.0022UF, 20%, 50V	59660	0805585Y5S0222M
A50A4C2019	283-0204-00			CAP, FXD, CER DI: 0.01UF, 20%, 50V	04222	SR155E103MAA
A50A4C2021	283-0032-00			CAP, FXD, CER DI: 470PF, 5%, 500V	59660	831-000-Z5E0471J
A50A4C2034	283-0177-00			CAP, FXD, CER DI: 1UF, +80-20%, 25V	04222	SR302E105ZAATR
A50A4C2035	283-0204-00			CAP, FXD, CER DI: 0.01UF, 20%, 50V	04222	SR155E103MAA
A50A4C2048	283-0204-00			CAP, FXD, CER DI: 0.01UF, 20%, 50V	04222	SR155E103MAA
A50A4C2049	283-0070-00			CAP, FXD, CER DI: 30PF, 10%, 50V	51642	200-050-NP0-300K
A50A4C2052	283-0167-00	B030000	B031129	CAP, FXD, CER DI: 0.1UF, 10%, 100V	04222	3430-100C-104K
A50A4C2052	283-0167-00	B031129		(492 ONLY)		
A50A4C2052	285-0905-00	B031130		CAP, FXD, PLASTIC: 0.33UF, 5%, 50V	04099	TEK-15-2
A50A4C2052	285-0905-00	B031130		(492 ONLY)		
A50A4C2052	283-0167-00	B030000	B031460	CAP, FXD, CER DI: 0.1UF, 10%, 100V	04222	3430-100C-104K
A50A4C2052	283-0167-00	B031460		(492P ONLY)		
A50A4C2052	285-0905-00	B031461		CAP, FXD, PLASTIC: 0.33UF, 5%, 50V	04099	TEK-15-2
A50A4C2052	285-0905-00	B031461		(492P ONLY)		
A50A4C2059	283-0687-00			CAP, FXD, MICA DI: 560PF, 2%, 300V	00853	D153F56160
A50A4C2060	283-0177-00			CAP, FXD, CER DI: 1UF, +80-20%, 25V	04222	SR302E105ZAATR
A50A4C2061	283-0238-00	B030000	B031129	CAP, FXD, CER DI: 0.01UF, 10%, 50V	04222	SR205C103KAA
A50A4C2061	283-0238-00	B031129		(492 ONLY)		
A50A4C2061	283-0100-00	B031130	B055784	CAP, FXD, CER DI: 0.0047UF, 10%, 200V	04222	SR306A472KAA
A50A4C2061	283-0100-00	B031130	B055784	(492 ONLY)		
A50A4C2061	283-0176-00	B055785		CAP, FXD, CER DI: 0.0022UF, 20%, 50V	04222	SR205C222MAA
A50A4C2061	283-0176-00	B055785		(492 ONLY)		
A50A4C2061	283-0204-00	B030000	B031460	CAP, FXD, CER DI: 0.01UF, 20%, 50V	04222	SR155E103MAA
A50A4C2061	283-0204-00	B031460		(492P ONLY)		
A50A4C2061	283-0100-00	B031461	B055784	CAP, FXD, CER DI: 0.0047UF, 10%, 200V	04222	SR306A472KAA
A50A4C2061	283-0100-00	B031461	B055784	(492P ONLY)		
A50A4C2061	283-0176-00	B055785		CAP, FXD, CER DI: 0.0022UF, 20%, 50V	04222	SR205C222MAA
A50A4C2061	283-0176-00	B055785		(492P ONLY)		
A50A4C2062	283-0198-00	B030000	B055784	CAP, FXD, CER DI: 0.22UF, 20%, 50V	05397	C330C224M5U1CA
A50A4C2062	283-0198-00	B030000	B055784	CAP, FXD, CER DI: 0.22UF, 10%, 50V	05397	C330C224K5R5CA
A50A4C2066	283-0204-00			CAP, FXD, CER DI: 0.01UF, 20%, 50V	04222	SR155E103MAA
A50A4C2067	283-0177-00			CAP, FXD, CER DI: 1UF, +80-20%, 25V	04222	SR302E105ZAATR
A50A4C2069	283-0203-00			CAP, FXD, CER DI: 0.47UF, 20%, 50V	04222	SR305SC474MAA
A50A4C2071	283-0204-00			CAP, FXD, CER DI: 0.01UF, 20%, 50V	04222	SR155E103MAA
A50A4C2072	283-0204-00			CAP, FXD, CER DI: 0.01UF, 20%, 50V	04222	SR155E103MAA
A50A4C2077	283-0198-00	B030000	B055784	CAP, FXD, CER DI: 0.22UF, 20%, 50V	05397	C330C224M5U1CA
A50A4C2077	283-0339-00	B055785		CAP, FXD, CER DI: 0.22UF, 10%, 50V	05397	C330C224K5R5CA
A50A4C2078	283-0238-00	B030000	B031129	CAP, FXD, CER DI: 0.01UF, 10%, 50V	04222	SR205C103KAA
A50A4C2078	283-0238-00	B031129		(492 ONLY)		
A50A4C2078	283-0100-00	B031130	B055784	CAP, FXD, CER DI: 0.0047UF, 10%, 200V	04222	SR306A472KAA
A50A4C2078	283-0100-00	B031130	B055784	(492 ONLY)		
A50A4C2078	283-0176-00	B055785		CAP, FXD, CER DI: 0.0022UF, 20%, 50V	04222	SR205C222MAA
A50A4C2078	283-0176-00	B055785		(492 ONLY)		
A50A4C2078	283-0204-00	B030000	B031460	CAP, FXD, CER DI: 0.01UF, 20%, 50V	04222	SR155E103MAA
A50A4C2078	283-0204-00	B031460		(492P ONLY)		
A50A4C2078	283-0100-00	B031461	B055784	CAP, FXD, CER DI: 0.0047UF, 10%, 200V	04222	SR306A472KAA
A50A4C2078	283-0100-00	B031461	B055784	(492P ONLY)		
A50A4C2078	283-0176-00	B055785		CAP, FXD, CER DI: 0.0022UF, 20%, 50V	04222	SR205C222MAA
A50A4C2078	283-0176-00	B055785		(492P ONLY)		

Replaceable Electrical Parts
492/492P Service Vol. 2 (B030000 & Up)

Component No.	Tektronix Part No.	Serial/Assembly No. Effective	Discont	Name & Description	Mfr. Code	Mfr. Part No.
A50A4C2082	290-0513-00	B030000	B031129	CAP, FXD, ELCTLT: 510UF, +75-10%, 25V (492 ONLY)	26769	40EW517C015U1A
A50A4C2082	290-0942-00	B031130		CAP, FXD, ELCTLT: 100UF, +100-10%, 25V (492 ONLY)	55680	UPA1E101MAH
A50A4C2082	290-0513-00	B030000	B031460	CAP, FXD, ELCTLT: 510UF, +75-10%, 25V (492P ONLY)	26769	40EW517C015U1A
A50A4C2082	290-0942-00	B031461		CAP, FXD, ELCTLT: 100UF, +100-10%, 25V (492P ONLY)	55680	UPA1E101MAH
A50A4C3011	283-0204-00			CAP, FXD, CER DI: 0.01UF, 20%, 50V	04222	SR155E103MAA
A50A4C3044	283-0167-00	B030000	B031129	CAP, FXD, CER DI: 0.1UF, 10%, 100V (492 ONLY)	04222	3430-100C-104K
A50A4C3044	283-0239-00	B031130		CAP, FXD, CER DI: 0.022UF, 10%, 50V (492 ONLY)	04222	3439-050C-223K
A50A4C3044	283-0167-00	B030000	B031460	CAP, FXD, CER DI: 0.1UF, 10%, 100V (492P ONLY)	04222	3430-100C-104K
A50A4C3044	283-0239-00	B031461		CAP, FXD, CER DI: 0.022UF, 10%, 50V (492P ONLY)	04222	3439-050C-223K
A50A4C3047	283-0203-00	B030000	B031129	CAP, FXD, CER DI: 0.47UF, 20%, 50V (492 ONLY)	04222	SR305SC474MAA
A50A4C3047	285-0905-00	B031130		CAP, FXD, PLASTIC: 0.33UF, 5%, 50V (492 ONLY)	04099	TEK-15-2
A50A4C3047	283-0203-00	B030000	B031460	CAP, FXD, CER DI: 0.47UF, 20%, 50V (492P ONLY)	04222	SR305SC474MAA
A50A4C3047	285-0905-00	B031461		CAP, FXD, PLASTIC: 0.33UF, 5%, 50V (492P ONLY)	04099	TEK-15-2
A50A4C3050	290-0804-00	B054334		CAP, FXD, ELCTLT: 10UF, +50-10%, 25V	55680	ULB1E100TAAANA
A50A4C3051	283-0032-00			CAP, FXD, CER DI: 470PF, 5%, 500V	59660	831-000-Z5E0471J
A50A4C3060	283-0177-00	B054334		CAP, FXD, CER DI: 1UF, +80-20%, 25V	04222	SR302E105ZAATR
A50A4C3065	283-0115-00			CAP, FXD, CER DI: 47PF, 5%, 200V	59821	2DDT60K470J
A50A4CR2045	152-0141-02	B031130		SEMICONV DVC, DI: SW, SI, 30V, 150MA, 30V, DO-35 (492 ONLY)	03508	DA2527 (1N4152)
A50A4CR2045	152-0141-02	B031461		SEMICONV DVC, DI: SW, SI, 30V, 150MA, 30V, DO-35 (492P ONLY)	03508	DA2527 (1N4152)
A50A4CR2046	152-0141-02	B031130		SEMICONV DVC, DI: SW, SI, 30V, 150MA, 30V, DO-35 (492 ONLY)	03508	DA2527 (1N4152)
A50A4CR2046	152-0141-02	B031461		SEMICONV DVC, DI: SW, SI, 30V, 150MA, 30V, DO-35 (492P ONLY)	03508	DA2527 (1N4152)
A50A4CR3069	152-0141-02			SEMICONV DVC, DI: SW, SI, 30V, 150MA, 30V, DO-35	03508	DA2527 (1N4152)
A50A4L3010	108-1112-00			COIL, RF: FIXED 170UH	80009	108-1112-00
A50A4L3060	108-1112-00			COIL, RF: FIXED 170UH	80009	108-1112-00
A50A4L3070	120-0382-00	B054334		COIL, RF: 210UH, +28%-43%, 14 TURNS	80009	120-0382-00
A50A4R1011	321-0001-00			RES, FXD, FILM: 10 OHM, 1%, 0.125W, TC=TO	19701	5033RD10R00FMS
A50A4R1021	315-0102-00			RES, FXD, FILM: 1K OHM, 5%, 0.25W	57668	NTR25JE01K0
A50A4R1022	315-0102-00			RES, FXD, FILM: 1K OHM, 5%, 0.25W	57668	NTR25JE01K0
A50A4R1023	315-0102-00			RES, FXD, FILM: 1K OHM, 5%, 0.25W	57668	NTR25JE01K0
A50A4R1024	315-0103-00			RES, FXD, FILM: 10K OHM, 5%, 0.25W	19701	5043CX10K00J
A50A4R1031	315-0512-00			RES, FXD, FILM: 5.1K OHM, 5%, 0.25W	57668	NTR25J-E05K1
A50A4R1032	315-0101-00			RES, FXD, FILM: 100 OHM, 5%, 0.25W	57668	NTR25J-E 100E
A50A4R1034	321-0143-00	B031130		RES, FXD, FILM: 301 OHM, 1%, 0.125W, TC=TO (492 ONLY)	07716	CEAD301R0F
A50A4R1034	321-0143-00	B031461		RES, FXD, FILM: 301 OHM, 1%, 0.125W, TC=TO (492P ONLY)	07716	CEAD301R0F
A50A4R1035	315-0101-00			RES, FXD, FILM: 100 OHM, 5%, 0.25W	57668	NTR25J-E 100E
A50A4R1037	315-0510-00			RES, FXD, FILM: 51 OHM, 5%, 0.25W	19701	5043CX51R00J
A50A4R1038	315-0102-00			RES, FXD, FILM: 1K OHM, 5%, 0.25W	57668	NTR25JE01K0
A50A4R1043	315-0103-00	B031130		RES, FXD, FILM: 10K OHM, 5%, 0.25W (492 ONLY)	19701	5043CX10K00J
A50A4R1043	315-0103-00	B031461		RES, FXD, FILM: 10K OHM, 5%, 0.25W (492P ONLY)	19701	5043CX10K00J
A50A4R1054	315-0510-00			RES, FXD, FILM: 51 OHM, 5%, 0.25W	19701	5043CX51R00J
A50A4R1061	311-1263-00			RES, VAR, NONW: 1K OHM, 10%, 0.50W	32997	3329P-L58-102

Replaceable Electrical Parts
492/492P Service Vol. 2 (B030000 & Up)

Component No.	Tektronix Part No.	Serial/Assembly No. Effective	Dscont	Name & Description	Mfr. Code	Mfr. Part No.
A50A4R1072	315-0510-00	B030000	B031129	RES,FXD,FILM:51 OHM,5%,0.25W (492 ONLY)	19701	5043CX51R00J
A50A4R1072	315-0161-00	B031130		RES,FXD,FILM:160 OHM,5%,0.25W (492 ONLY)	57668	NTR25J-E 160E
A50A4R1072	315-0510-00	B030000	B031460	RES,FXD,FILM:51 OHM,5%,0.25W (492P ONLY)	19701	5043CX51R00J
A50A4R1072	315-0161-00	B031461		RES,FXD,FILM:160 OHM,5%,0.25W (492P ONLY)	57668	NTR25J-E 160E
A50A4R1075	307-0114-00			RES,FXD,CMPSN:6.2 OHM,5%,0.25W	01121	CB62G5
A50A4R2013	315-0510-00			RES,FXD,FILM:51 OHM,5%,0.25W	19701	5043CX51R00J
A50A4R2014	321-0001-00			RES,FXD,FILM:10 OHM,1%,0.125W,TC=TO	19701	5033RD10R00FMS
A50A4R2015	321-0243-00			RES,FXD,FILM:3.32K OHM,1%,0.125W,TC=TO	19701	5033ED3K32F
A50A4R2016	321-0001-00			RES,FXD,FILM:10 OHM,1%,0.125W,TC=TO	19701	5033RD10R00FMS
A50A4R2017	315-0102-00	B030000	B031129	RES,FXD,FILM:1K OHM,5%,0.25W (492 ONLY)	57668	NTR25JE01K0
A50A4R2017	315-0202-00	B031130		RES,FXD,FILM:2K OHM,5%,0.25W (492 ONLY)	57668	NTR25J-E 2K
A50A4R2017	315-0102-00	B030000	B031460	RES,FXD,FILM:1K OHM,5%,0.25W (492P ONLY)	57668	NTR25JE01K0
A50A4R2017	315-0202-00	B031461		RES,FXD,FILM:2K OHM,5%,0.25W (492P ONLY)	57668	NTR25J-E 2K
A50A4R2018	321-0243-00			RES,FXD,FILM:3.32K OHM,1%,0.125W,TC=TO	19701	5033ED3K32F
A50A4R2028	315-0103-00			RES,FXD,FILM:10K OHM,5%,0.25W	19701	5043CX10K00J
A50A4R2029	315-0102-00			RES,FXD,FILM:1K OHM,5%,0.25W	57668	NTR25JE01K0
A50A4R2031	315-0510-00			RES,FXD,FILM:51 OHM,5%,0.25W	19701	5043CX51R00J
A50A4R2038	315-0102-00			RES,FXD,FILM:1K OHM,5%,0.25W	57668	NTR25JE01K0
A50A4R2042	321-0186-00	B031130		RES,FXD,FILM:845 OHM,1%,0.125W,TC=TO (492 ONLY)	19701	5043ED845R0F
A50A4R2042	321-0186-00	B031461		RES,FXD,FILM:845 OHM,1%,0.125W,TC=TO (492P ONLY)	19701	5043ED845R0F
A50A4R2043	321-0435-00			RES,FXD,FILM:332K OHM,1%,0.125W,TC=TO	07716	CEAD33202F
A50A4R2044	321-0143-00	B030000	B031129	RES,FXD,FILM:301 OHM,1%,0.125W,TC=TO (492 ONLY)	07716	CEAD301R0F
A50A4R2044	321-0143-00	B030000	B031460	RES,FXD,FILM:301 OHM,1%,0.125W,TC=TO (492P ONLY)	07716	CEAD301R0F
A50A4R2045	321-0403-00	B030000	B031129	RES,FXD,FILM:154K OHM,1%,0.125W,TC=TO (492 ONLY)	07716	CEAD15402F
A50A4R2045	315-0243-00	B031130		RES,FXD,FILM:24K OHM,5%,0.25W (492 ONLY)	57668	NTR25J-E24K0
A50A4R2045	321-0403-00	B030000	B031460	RES,FXD,FILM:154K OHM,1%,0.125W,TC=TO (492P ONLY)	07716	CEAD15402F
A50A4R2045	315-0243-00	B031461		RES,FXD,FILM:24K OHM,5%,0.25W (492P ONLY)	57668	NTR25J-E24K0
A50A4R2046	321-0360-00	B030000	B031129	RES,FXD,FILM:54.9K OHM,1%,0.125W,TC=TO (492 ONLY)	19701	5033ED54K90F
A50A4R2046	315-0123-00	B031130		RES,FXD,FILM:12K OHM,5%,0.25W (492 ONLY)	57668	NTR25J-E12K0
A50A4R2046	315-0273-00	B030000	B031460	RES,FXD,FILM:27K OHM,5%,0.25W (492P ONLY)	57668	NTR25J-E27K0
A50A4R2046	315-0123-00	B031461		RES,FXD,FILM:12K OHM,5%,0.25W (492P ONLY)	57668	NTR25J-E12K0
A50A4R2048	315-0510-00			RES,FXD,FILM:51 OHM,5%,0.25W	19701	5043CX51R00J
A50A4R2049	315-0123-00	B031130		RES,FXD,FILM:12K OHM,5%,0.25W (492 ONLY)	57668	NTR25J-E12K0
A50A4R2049	315-0123-00	B031461		RES,FXD,FILM:12K OHM,5%,0.25W (492P ONLY)	57668	NTR25J-E12K0
A50A4R2051	321-0356-00			RES,FXD,FILM:49.9K OHM,1%,0.125W,TC=TO	19701	5033ED49K90F
A50A4R2052	321-0261-00			RES,FXD,FILM:5.11K OHM,1%,0.125W,TC=TO	19701	5033ED5K110F
A50A4R2061	315-0102-00	B030000	B055784	RES,FXD,FILM:1K OHM,5%,0.25W	57668	NTR25JE01K0
A50A4R2061	315-0202-00	B055785		RES,FXD,FILM:2K OHM,5%,0.25W	57668	NTR25J-E 2K
A50A4R2062	315-0202-00			RES,FXD,FILM:2K OHM,5%,0.25W	57668	NTR25J-E 2K
A50A4R2066	315-0102-00			RES,FXD,FILM:1K OHM,5%,0.25W	57668	NTR25JE01K0

Replaceable Electrical Parts
492/492P Service Vol. 2 (B030000 & Up)

Component No.	Tektronix Part No.	Serial/Assembly No. Effective	Discort	Name & Description	Mfr. Code	Mfr. Part No.
A50A4R2067	315-0682-00			RES, FXD, FILM: 6.8K OHM, 5%, 0.25W	57668	NTR25J-E06K8
A50A4R2083	321-0155-00			RES, FXD, FILM: 402 OHM, 1%, 0.125W, TC=TO	07716	CEAD402ROF
A50A4R3010	315-0620-00			RES, FXD, FILM: 62 OHM, 5%, 0.25W	19701	5043CX63R00J
A50A4R3011	307-0105-00			RES, FXD, CMPSN: 3.9 OHM, 5%, 0.25W	01121	CB 39G5
A50A4R3046	315-0300-00			RES, FXD, FILM: 30 OHM, 5%, 0.25W	19701	5043CX30R00J
A50A4R3051	321-0179-00			RES, FXD, FILM: 715 OHM, 1%, 0.125W, TC=TO	07716	CEAD715ROF
A50A4R3052	321-0269-00			RES, FXD, FILM: 6.19K OHM, 1%, 0.125W, TC=TO	07716	CEAD61900F
A50A4R3054	321-0180-00			RES, FXD, FILM: 732 OHM, 1%, 0.125W, TC=TO	07716	CEAD732ROF
A50A4R3060	315-0620-00	B030000	B054333	RES, FXD, FILM: 62 OHM, 5%, 0.25W	19701	5043CX63R00J
A50A4R3068	315-0682-00			RES, FXD, FILM: 6.8K OHM, 5%, 0.25W	57668	NTR25J-E06K8
A50A4R3077	315-0202-00			RES, FXD, FILM: 2K OHM, 5%, 0.25W	57668	NTR25J-E 2K
A50A4R3078	315-0102-00	B030000	B055784	RES, FXD, FILM: 1K OHM, 5%, 0.25W	57668	NTR25JE01K0
A50A4R3078	315-0202-00	B055785		RES, FXD, FILM: 2K OHM, 5%, 0.25W	57668	NTR25J-E 2K
A50A4R3082	311-1281-00			RES, VAR, NONW: TRMR, 2.5K OHM, 0.5W	32997	3329S-L58-252
A50A4R3083	321-0155-00			RES, FXD, FILM: 402 OHM, 1%, 0.125W, TC=TO	07716	CEAD402ROF
A50A4U1015	156-0570-00			MICROCKT, LINEAR: DUAL COMPARATOR	27014	LM319H
A50A4U1035	156-0096-00	B030000	B031129	MICROCKT, LINEAR: VOLTAGE COMPARATOR	04713	LM311H
A50A4U1035	156-1126-01	B031130		MICROCKT, LINEAR: VOLTAGE COMPARATOR, SELECTED (492 ONLY)	01295	LM311JG4
A50A4U1035	156-0096-00	B030000	B031460	MICROCKT, LINEAR: VOLTAGE COMPARATOR	04713	LM311H
A50A4U1035	156-1126-01	B031461		MICROCKT, LINEAR: VOLTAGE COMPARATOR, SELECTED (492P ONLY)	01295	LM311JG4
A50A4U1042	156-0991-00			MICROCKT, LINEAR: VOLTAGE REGULATOR	04713	MC78L05ACP
A50A4U2025	156-0796-00			MICROCKT, DCTL: 8 STG SHF & STORE BUS RGTR	02735	CD4094BF
A50A4U2037	156-1211-00			MICROCKT, INTFC: QUAD SPST SWITCH, 2NC, 2NO	27014	LF1333N
A50A4U2048	156-0105-02			MICROCKT, LINEAR: OPNL AMPL, SELECTED	01295	LM301AJG4
A50A4U2065	156-0742-02			MICROCKT, LINEAR: OPNL AMPL, SELECTED	27014	LM318N/A+
A50A4U2075	156-0277-00			MICROCKT, LINEAR: VOLTAGE REGULATOR	04713	LM340T-5.0
A50A4U3017	156-1160-00			MICROCKT, LINEAR: VOLTAGE REGULATOR	04713	MC78L12ACG
A50A4U3075	156-0132-00	B030000	B056103	MICROCKT, LINEAR: OPNL AMPL	34371	HA2-911-5
A50A4U3075	156-1851-00	B056104		MICROCKT, LINEAR: OPERATIONAL AMPLIFIER, SCRNB	06665	OP-27B1GZ
A50A4VR2065	152-0175-01			SEMICONDC DVC, DI: ZEN, SI, 5.6V, 5%, 0.4W, DO-7	04713	SZG5021RL
A50A4VR3047	152-0647-00			SEMICONDC DVC, DI: ZENER, SI, 6.8V, 5%, 400MW, DO-7	04713	SZG35014K3RL
A50A4VR3048	152-0647-00			SEMICONDC DVC, DI: ZENER, SI, 6.8V, 5%, 400MW, DO-7	04713	SZG35014K3RL
A50A4W1050	131-0566-00			BUS, CONDUCTOR: DUMMY RES, 0.094 OD X 0.225 L	24546	OMA 07
A50A4W2084	131-0566-00			BUS, CONDUCTOR: DUMMY RES, 0.094 OD X 0.225 L	24546	OMA 07
A50A5	670-5524-00	B030000	B031279	CIRCUIT BD ASSY: CONTROLLED OSC	80009	670-5524-00
A50A5	670-5524-01	B031280	B054269	(492 OPTION 03 ONLY)		
A50A5	670-5524-02	B054270		CIRCUIT BD ASSY: CONTROLLED OSC	80009	670-5524-01
A50A5	670-5524-00	B030000	B041659	(492 OPTION 03 ONLY)		
A50A5	670-5524-01	B041660	B054269	CIRCUIT BD ASSY: CONTROLLED OSC	80009	670-5524-02
A50A5	670-5524-02	B054270		(492P OPTION 03 ONLY)		
A50A5	670-5524-00	B030000	B041659	CIRCUIT BD ASSY: CONTROLLED OSC	80009	670-5524-00
A50A5	670-5524-01	B041660	B054269	(492P OPTION 03 ONLY)		
A50A5	670-5524-02	B054270		CIRCUIT BD ASSY: CONTROLLED OSC	80009	670-5524-01
A50A5	670-5524-00	B030000	B031279	(492P OPTION 03 ONLY)		
A50A5C1011	283-0185-00	B030000	B031279	CAP, FXD, CER DI: 2.5PF, 0.5%, 50V	51642	100-050-NPO-259B
A50A5C1011	281-0810-00	B031280		(492 ONLY)		
A50A5C1011	281-0810-00	B031280		CAP, FXD, CER DI: 5.6PF, +/-0.5PF, 100V	04222	MA101A5R6DAA
A50A5C1011	283-0185-00	B030000	B041659	(492 ONLY)		
A50A5C1011	283-0185-00	B030000	B041659	CAP, FXD, CER DI: 2.5PF, 0.5%, 50V	51642	100-050-NPO-259B
A50A5C1011	281-0810-00	B041660		(492P ONLY)		
A50A5C1011	281-0810-00	B041660		CAP, FXD, CER DI: 5.6PF, +/-0.5PF, 100V	04222	MA101A5R6DAA
A50A5C1011	281-0810-00	B041660		(492P ONLY)		
A50A5C1012	283-0260-00			CAP, FXD, CER DI: 5.6PF, +/-0.25PF, 200V	51642	150 200NPO569C
A50A5C1013	281-0161-00			CAP, VAR, CER DI: 5-15PF, 350V	59660	518-000A5-15

Replaceable Electrical Parts
492/492P Service Vol. 2 (B030000 & Up)

Component No.	Tektronix Part No.	Serial/Assembly No. Effective	Dscont	Name & Description	Mfr. Code	Mfr. Part No.
A50A5C1024	283-0204-00			CAP, FXD, CER DI: 0.01UF, 20%, 50V	04222	SR155E103MAA
A50A5C1025	283-0204-00			CAP, FXD, CER DI: 0.01UF, 20%, 50V	04222	SR155E103MAA
A50A5C1030	283-0197-00	B030000	B031279	CAP, FXD, CER DI: 470PF, 5%, 50V (492 ONLY)	04222	SR205A471JAA
A50A5C1030	283-0197-00	B030000	B041659	CAP, FXD, CER DI: 470PF, 5%, 50V (492P ONLY)	04222	SR205A471JAA
A50A5C1031	283-0204-00			CAP, FXD, CER DI: 0.01UF, 20%, 50V	04222	SR155E103MAA
A50A5C1038	281-0622-00			CAP, FXD, CER DI: 47PF, 1%, 500V	52763	2RDPLZ007 47POLC
A50A5C1041	281-0165-00			CAP, VAR, AIR DI: 0.8-10PF, 250V	73899	MVM-010W
A50A5C1042	281-0165-00			CAP, VAR, AIR DI: 0.8-10PF, 250V	73899	MVM-010W
A50A5C1048	281-0622-00			CAP, FXD, CER DI: 47PF, 1%, 500V	52763	2RDPLZ007 47POLC
A50A5C2011	281-0168-00			CAP, VAR, AIR DI: 1.3-5.4PF, 250V	74970	187-0103-005
A50A5C2021	283-0346-00			CAP, FXD, CER DI: 0.47UF, +80-20%, 100V	20932	5034ES100RD474Z
A50A5C2022	290-0523-00	B030000	B031279	CAP, FXD, ELCTLT: 2.2UF, 20%, 20V (492 ONLY)	05397	T368A225M020AS
A50A5C2022	290-0527-00	B031280		CAP, FXD, ELCTLT: 15UF, 20%, 20V (492 ONLY)	05397	T368B156M020AS
A50A5C2022	290-0523-00	B030000	B041659	CAP, FXD, ELCTLT: 2.2UF, 20%, 20V (492P ONLY)	05397	T368A225M020AS
A50A5C2022	290-0527-00	B041660		CAP, FXD, ELCTLT: 15UF, 20%, 20V (492P ONLY)	05397	T368B156M020AS
A50A5C2023	283-0204-00			CAP, FXD, CER DI: 0.01UF, 20%, 50V	04222	SR155E103MAA
A50A5C2034	283-0204-00			CAP, FXD, CER DI: 0.01UF, 20%, 50V	04222	SR155E103MAA
A50A5C2041	283-0204-00			CAP, FXD, CER DI: 0.01UF, 20%, 50V	04222	SR155E103MAA
A50A5C2042	283-0195-00			CAP, FXD, CER DI: 680PF, 5%, 50V	04222	SR205A681JAA
A50A5C2043	283-0195-00			CAP, FXD, CER DI: 680PF, 5%, 50V	04222	SR205A681JAA
A50A5CR1011	152-0719-00			SEMICON DVC, DI: VVC, SI, 100 PF, 5%, 30V, DO-7	04713	SMV1501
A50A5CR1012	152-0719-00			SEMICON DVC, DI: VVC, SI, 100 PF, 5%, 30V, DO-7	04713	SMV1501
A50A5L1011	108-0105-00			COIL, RF: FIXED, 1.59UH	80009	108-0105-00
A50A5L1025	108-0991-00			COIL, RF: FIXED, 800NH	80009	108-0991-00
A50A5L1035	108-0990-00			COIL, RF: FIXED, 750NH	80009	108-0990-00
A50A5L2034	108-0395-00			COIL, RF: FIXED, 64UH	80009	108-0395-00
A50A5L2043	108-0962-00			COIL, RF: FXD, 750NH	80009	108-0962-00
A50A5Q1028	151-0188-00			TRANSISTOR: PNP, SI, TO-92	80009	151-0188-00
A50A5Q2025	151-0438-00	B030000	B05426	TRANSISTOR: PNP, SI, AMPLIFIER, 625 MA	80009	151-0438-00
A50A5Q2025	151-0712-00	B054270		TRANSISTOR: PNP, SI, TO-92	04713	SPS8223
A50A5Q2026	151-0438-00	B030000	B05426	TRANSISTOR: PNP, SI, AMPLIFIER, 625 MA	80009	151-0438-00
A50A5Q2026	151-0712-00	B054270		TRANSISTOR: PNP, SI, TO-92	04713	SPS8223
A50A5Q2033	151-0438-00	B030000	B05426	TRANSISTOR: PNP, SI, AMPLIFIER, 625 MA	80009	151-0438-00
A50A5Q2033	151-0712-00	B054270		TRANSISTOR: PNP, SI, TO-92	04713	SPS8223
A50A5Q2041	151-0438-00	B030000	B05426	TRANSISTOR: PNP, SI, AMPLIFIER, 625 MA	80009	151-0438-00
A50A5Q2041	151-0712-00	B054270		TRANSISTOR: PNP, SI, TO-92	04713	SPS8223
A50A5R1024	315-0201-00			RES, FXD, FILM: 200 OHM, 5%, 0.25W	57668	NTR25J-E200E
A50A5R1026	315-0471-00			RES, FXD, FILM: 470 OHM, 5%, 0.25W	57668	NTR25J-E470E
A50A5R1030	315-0100-00			RES, FXD, FILM: 10 OHM, 5%, 0.25W	19701	5043CX10RR00J
A50A5R1031	315-0103-00			RES, FXD, FILM: 10K OHM, 5%, 0.25W	19701	5043CX10K00J
A50A5R1032	315-0390-00			RES, FXD, FILM: 39 OHM, 5%, 0.25W	57668	NTR25J-E39E0
A50A5R1033	315-0103-00			RES, FXD, FILM: 10K OHM, 5%, 0.25W	19701	5043CX10K00J
A50A5R2020	315-0100-00	B031280		RES, FXD, FILM: 10 OHM, 5%, 0.25W (492 ONLY)	19701	5043CX10RR00J
A50A5R2020	315-0100-00	B041660		RES, FXD, FILM: 10 OHM, 5%, 0.25W (492P ONLY)	19701	5043CX10RR00J
A50A5R2021	315-0101-00			RES, FXD, FILM: 100 OHM, 5%, 0.25W	57668	NTR25J-E 100E
A50A5R2022	315-0103-00	B030000	B031279	RES, FXD, FILM: 10K OHM, 5%, 0.25W (492 ONLY)	19701	5043CX10K00J
A50A5R2022	315-0202-00	B031280		RES, FXD, FILM: 2K OHM, 5%, 0.25W (492 ONLY)	57668	NTR25J-E 2K
A50A5R2022	315-0103-00	B030000	B041659	RES, FXD, FILM: 10K OHM, 5%, 0.25W (492P ONLY)	19701	5043CX10K00J
A50A5R2022	315-0202-00	B041660		RES, FXD, FILM: 2K OHM, 5%, 0.25W (492P ONLY)	57668	NTR25J-E 2K

Component No.	Tektronix Part No.	Serial/Assembly No. Effective	Dscont	Name & Description	Mfr. Code	Mfr. Part No.
A50A5R2025	315-0103-00	B030000	B054269	RES, FXD, FILM:10K OHM, 5%, 0.25W	19701	5043CX10K00J
A50A5R2025	315-0182-00	B054270		RES, FXD, FILM:1.8K OHM, 5%, 0.25W	57668	NTR25J-E1K8
A50A5R2026	321-0103-00	B030000	B054269	RES, FXD, FILM:115 OHM, 1%, 0.125W, TC=T0	01121	RNK1150F
A50A5R2026	315-0182-00	B054270		RES, FXD, FILM:1.8K OHM, 5%, 0.25W	57668	NTR25J-E1K8
A50A5R2027	315-0101-00			RES, FXD, FILM:100 OHM, 5%, 0.25W	57668	NTR25J-E 100E
A50A5R2031	315-0103-00			RES, FXD, FILM:10K OHM, 5%, 0.25W	19701	5043CX10K00J
A50A5R2032	315-0220-00			RES, FXD, FILM:22 OHM, 5%, 0.25W	19701	5043CX22R00J
A50A5R2033	315-0471-00			RES, FXD, FILM:470 OHM, 5%, 0.25W	57668	NTR25J-E470E
A50A5R2034	315-0101-00			RES, FXD, FILM:100 OHM, 5%, 0.25W	57668	NTR25J-E 100E
A50A5R2038	315-0182-00			RES, FXD, FILM:1.8K OHM, 5%, 0.25W	57668	NTR25J-E1K8
A50A5R2041	315-0103-00			RES, FXD, FILM:10K OHM, 5%, 0.25W	19701	5043CX10K00J
A50A5R2042	315-0151-00			RES, FXD, FILM:150 OHM, 5%, 0.25W	57668	NTR25J-E150E
A50A5R2043	315-0201-00			RES, FXD, FILM:200 OHM, 5%, 0.25W	57668	NTR25J-E200E
A50A5U2021	156-1160-00			MICROCKT, LINEAR:VOLTAGE REGULATOR	04713	MC78L12ACG
A50A5Y2012	158-0172-00			XTAL UNIT, QTZ:25.064 MHZ, 0.001%, SERIES	33096	CCAT101267
A51	670-5523-00	B030000	B031129	CIRCUIT BD ASSY:PHASE LOCK CONTROL (492 OPTION 03 ONLY)	80009	670-5523-00
A51	670-5523-01	B031130	B053912	CIRCUIT BD ASSY:PATCH/IN5200 (492 OPTION 03 ONLY)	80009	670-5523-01
A51	670-5523-02	B053913		CIRCUIT BD ASSY:PATCH/IN5200 (492 OPTION 03 ONLY)	80009	670-5523-02
A51	670-5523-00	B030000	B031460	CIRCUIT BD ASSY:PHASE LOCK CONTROL (492P OPTION 03 ONLY)	80009	670-5523-00
A51	670-5523-01	B031461	B053912	CIRCUIT BD ASSY:PATCH/IN5200 (492P OPTION 03 ONLY)	80009	670-5523-01
A51	670-5523-02	B053913		CIRCUIT BD ASSY:PATCH/IN5200 (492P OPTION 03 ONLY)	80009	670-5523-02
A51C1015	283-0204-00			CAP, FXD, CER DI:0.01UF, 20%, 50V	04222	SR155E103MAA
A51C1040	290-0527-00			CAP, FXD, ELCTLT:15UF, 20%, 20V	05397	T368B156M020AS
A51C1090	283-0177-00			CAP, FXD, CER DI:1UF, +80-20%, 25V	04222	SR302E105ZAATR
A51C3014	283-0204-00			CAP, FXD, CER DI:0.01UF, 20%, 50V	04222	SR155E103MAA
A51C5010	283-0204-00			CAP, FXD, CER DI:0.01UF, 20%, 50V	04222	SR155E103MAA
A51C5090	283-0204-00			CAP, FXD, CER DI:0.01UF, 20%, 50V	04222	SR155E103MAA
A51C6022	283-0204-00			CAP, FXD, CER DI:0.01UF, 20%, 50V	04222	SR155E103MAA
A51C6050	283-0032-00			CAP, FXD, CER DI:470PF, 5%, 500V	59660	831-000-Z5E0471J
A51C6092	283-0204-00			CAP, FXD, CER DI:0.01UF, 20%, 50V	04222	SR155E103MAA
A51C7010	283-0204-00			CAP, FXD, CER DI:0.01UF, 20%, 50V	04222	SR155E103MAA
A51C7030	283-0221-00	B031130		CAP, FXD, CER DI:0.47UF, 20%, 50V (492 ONLY)	04222	3430 050C 474M
A51C7030	283-0221-00	B013461		CAP, FXD, CER DI:0.47UF, 20%, 50V (492P ONLY)	04222	3430 050C 474M
A51C7032	290-0183-00			CAP, FXD, ELCTLT:1UF, 10%, 35V	05397	T3228105K035AS
A51C7090	283-0111-00			CAP, FXD, CER DI:0.1UF, 20%, 50V	05397	C330C104M5U1CA
A51CR6060	152-0141-02			SEMICON DVC, DI:SW, SI, 30V, 150MA, 30V, DO-35	03508	DA2527 (1N4152)
A51CR7026	152-0141-02			SEMICON DVC, DI:SW, SI, 30V, 150MA, 30V, DO-35	03508	DA2527 (1N4152)
A51CR7027	152-0141-02	B030000	B031129	SEMICON DVC, DI:SW, SI, 30V, 150MA, 30V, DO-35 (492 ONLY)	03508	DA2527 (1N4152)
A51CR7027	152-0141-02	B030000	B031460	SEMICON DVC, DI:SW, SI, 30V, 150MA, 30V, DO-35 (492P ONLY)	03508	DA2527 (1N4152)
A51CR7030	152-0141-02	B031130		SEMICON DVC, DI:SW, SI, 30V, 150MA, 30V, DO-35 (492 ONLY)	03508	DA2527 (1N4152)
A51CR7030	152-0141-02	B031461		SEMICON DVC, DI:SW, SI, 30V, 150MA, 30V, DO-35 (492P ONLY)	03508	DA2527 (1N4152)
A51Q3016	151-0302-00			TRANSISTOR:NPN, SI, TO-18	04713	ST899
A51Q4090	151-0302-00			TRANSISTOR:NPN, SI, TO-18	04713	ST899
A51Q7030	151-0302-00			TRANSISTOR:NPN, SI, TO-18	04713	ST899
A51Q7060	151-0302-00			TRANSISTOR:NPN, SI, TO-18	04713	ST899
A51Q7070	151-0302-00			TRANSISTOR:NPN, SI, TO-18	04713	ST899
A51Q7080	151-0302-00			TRANSISTOR:NPN, SI, TO-18	04713	ST899
A51R1019	315-0510-00			RES, FXD, FILM:51 OHM, 5%, 0.25W	19701	5043CX51R00J

Replaceable Electrical Parts
492/492P Service Vol. 2 (B030000 & Up)

Component No.	Tektronix Part No.	Serial/Assembly No. Effective	Dscont	Name & Description	Mfr. Code	Mfr. Part No.
A51R1028	315-0471-00			RES,FXD,FILM:470 OHM,5%,0.25W	57668	NTR25J-E470E
A51R1090	315-0102-00			RES,FXD,FILM:1K OHM,5%,0.25W	57668	NTR25JE01K0
A51R2014	315-0471-00			RES,FXD,FILM:470 OHM,5%,0.25W	57668	NTR25J-E470E
A51R2019	315-0273-00			RES,FXD,FILM:27K OHM,5%,0.25W	57668	NTR25J-E27K0
A51R2020	315-0511-00			RES,FXD,FILM:510 OHM,5%,0.25W	19701	5043CX510R0J
A51R3011	315-0471-00	B030000	B053912	RES,FXD,FILM:470 OHM,5%,0.25W	57668	NTR25J-E470E
A51R3011	315-0201-00	B053913		RES,FXD,FILM:200 OHM,5%,0.25W	57668	NTR25J-E200E
A51R3013	315-0510-00			RES,FXD,FILM:51 OHM,5%,0.25W	19701	5043CX51R00J
A51R4090	315-0103-00			RES,FXD,FILM:10K OHM,5%,0.25W	19701	5043CX10K00J
A51R4091	315-0472-00			RES,FXD,FILM:4.7K OHM,5%,0.25W	57668	NTR25J-E04K7
A51R5021	315-0202-00			RES,FXD,FILM:2K OHM,5%,0.25W	57668	NTR25J-E 2K
A51R5022	315-0202-00			RES,FXD,FILM:2K OHM,5%,0.25W	57668	NTR25J-E 2K
A51R5056	315-0471-00			RES,FXD,FILM:470 OHM,5%,0.25W	57668	NTR25J-E470E
A51R6020	315-0103-00			RES,FXD,FILM:10K OHM,5%,0.25W	19701	5043CX10K00J
A51R6032	315-0104-00			RES,FXD,FILM:100K OHM,5%,0.25W	57668	NTR25J-E100K
A51R6034	315-0103-00			RES,FXD,FILM:10K OHM,5%,0.25W	19701	5043CX10K00J
A51R6036	315-0103-00			RES,FXD,FILM:10K OHM,5%,0.25W	19701	5043CX10K00J
A51R6050	315-0103-00			RES,FXD,FILM:10K OHM,5%,0.25W	19701	5043CX10K00J
A51R6051	315-0103-00			RES,FXD,FILM:10K OHM,5%,0.25W	19701	5043CX10K00J
A51R6052	315-0103-00			RES,FXD,FILM:10K OHM,5%,0.25W	19701	5043CX10K00J
A51R6053	315-0102-00			RES,FXD,FILM:1K OHM,5%,0.25W	57668	NTR25JE01K0
A51R6055	315-0102-00			RES,FXD,FILM:1K OHM,5%,0.25W	57668	NTR25JE01K0
A51R6058	315-0103-00			RES,FXD,FILM:10K OHM,5%,0.25W	19701	5043CX10K00J
A51R7028	315-0393-00	B030000	B031129	RES,FXD,FILM:39K OHM,5%,0.25W (492 ONLY)	57668	NTR25J-E39K0
A51R7028	315-0183-00	B031130		RES,FXD,FILM:18K OHM,5%,0.25W (492 ONLY)	19701	5043CX18K00J
A51R7028	315-0393-00	B030000	B031460	RES,FXD,FILM:39K OHM,5%,0.25W (492P ONLY)	57668	NTR25J-E39K0
A51R7028	315-0183-00	B031461		RES,FXD,FILM:18K OHM,5%,0.25W (492P ONLY)	19701	5043CX18K00J
A51R7032	315-0103-00	B030000	B031129	RES,FXD,FILM:10K OHM,5%,0.25W (492 ONLY)	19701	5043CX10K00J
A51R7032	315-0333-00	B031130		RES,FXD,FILM:33K OHM,5%,0.25W (492 ONLY)	57668	NTR25J-E33K0
A51R7032	315-0103-00	B030000	B031460	RES,FXD,FILM:10K OHM,5%,0.25W (492P ONLY)	19701	5043CX10K00J
A51R7032	315-0333-00	B031461		RES,FXD,FILM:33K OHM,5%,0.25W (492P ONLY)	57668	NTR25J-E33K0
A51R7052	315-0103-00			RES,FXD,FILM:10K OHM,5%,0.25W	19701	5043CX10K00J
A51R7060	315-0103-00			RES,FXD,FILM:10K OHM,5%,0.25W	19701	5043CX10K00J
A51R7070	315-0103-00			RES,FXD,FILM:10K OHM,5%,0.25W	19701	5043CX10K00J
A51R7071	315-0471-00			RES,FXD,FILM:470 OHM,5%,0.25W	57668	NTR25J-E470E
A51R7072	315-0102-00			RES,FXD,FILM:1K OHM,5%,0.25W	57668	NTR25JE01K0
A51R7073	315-0510-00			RES,FXD,FILM:51 OHM,5%,0.25W	19701	5043CX51R00J
A51R7080	315-0561-00			RES,FXD,FILM:560 OHM,5%,0.25W	19701	5043CX560R0J
A51R7081	315-0513-00			RES,FXD,FILM:51K OHM,5%,0.25W	57668	NTR25J-E51K0
A51R7082	315-0102-00			RES,FXD,FILM:1K OHM,5%,0.25W	57668	NTR25JE01K0
A51R7088	315-0102-00			RES,FXD,FILM:1K OHM,5%,0.25W	57668	NTR25JE01K0
A51R7090	315-0561-00			RES,FXD,FILM:560 OHM,5%,0.25W	19701	5043CX560R0J
A51R7091	315-0510-00			RES,FXD,FILM:51 OHM,5%,0.25W	19701	5043CX51R00J
A51R7092	315-0471-00			RES,FXD,FILM:470 OHM,5%,0.25W	57668	NTR25J-E470E
A51U2025	156-0331-02			MICROCKT,DGTL:STTL,DUAL D EDGE TRIG FF	01295	SN54S74J
A51U2036	156-0914-02			MICROCKT,DGTL:OCT ST BFR W/3 STATE OUT,SCRN	01295	SN74LS240NP3
A51U2055	156-0579-02			MICROCKT,DGTL:DUAL 4 BIT BIN COUNTER,SCRN	02735	CD4520BFX
A51U2065	156-1044-00			MICROCKT,DGTL:STTL,4 BIT SYNC BIN CNTR	34335	SN74S161J
A51U2078	156-0799-01			MICROCKT,DGTL:DECADE CNTR/DIVIDER,SCRN	04713	MC14017BCLD
A51U2091	156-1172-01			MICROCKT,DGTL:DUAL 4 BIT BIN CNTR,SCRN	01295	SN74LS393NP3
A51U2105	156-0798-02			MICROCKT,DGTL:DUAL 14/1-LINE SEL/MUX SCRN	01295	SN74LS153NP3

Component No.	Tektronix Part No.	Serial/Assembly No.		Name & Description	Mfr. Code	Mfr. Part No.
		Effective	Dscont			
A51U4014	156-0413-02			MICROCKT,DGTL:QUAD 2-INP SCHMIT TRIGGER	01295	SN74S132NP3
A51U4025	156-0914-02			MICROCKT,DGTL:OCT ST BFR W/3 STATE OUT,SCRN	01295	SN74LS240NP3
A51U4049	156-0914-02			MICROCKT,DGTL:OCT ST BFR W/3 STATE OUT,SCRN	01295	SN74LS240NP3
A51U4062	156-1172-01			MICROCKT,DGTL:DUAL 4 BIT BIN CNTR,SCRN	01295	SN74LS393NP3
A51U4074	156-0729-00			MICROCKT,DGTL:TTL,3-STATE HEX INV-BFR	27014	DM80L98N
A51U4105	156-1172-01			MICROCKT,DGTL:DUAL 4 BIT BIN CNTR,SCRN	01295	SN74LS393NP3
A51U4105	156-1172-01			MICROCKT,DGTL:DUAL 4 BIT BIN CNTR,SCRN	01295	SN74LS393NP3
A51U6015	156-0383-02			MICROCKT,DGTL:QUAD 2-INP NOR GATE,SCRN,	18324	N74LS02NB
A51U6028	156-1152-01			MICROCKT,DGTL:PRCN RETRIGGERABLE,SCRN	04713	MC14538BCLDS
A51U6066	156-0366-02			MICROCKT,DGTL:DUAL D FLIP-FLOP,SCREENED	02735	CD4013BFX
A51U6078	156-0645-02			MICROCKT,DGTL:HEX INV ST NAND GATES,SCRN	04713	SN74LS14NDS
A51U6105	156-0798-02			MICROCKT,DGTL:DUAL 14/1-LINE SEL/MUX SCRN	01295	SN74LS153NP3
A51U7041	156-0914-02			MICROCKT,DGTL:OCT ST BFR W/3 STATE OUT,SCRN	01295	SN74LS240NP3
A51U7055	156-0469-02			MICROCKT,DGTL:3/8 LINE DCDR,SCRN	01295	SN74LS138NP3
A51W5020	131-0566-00			BUS,CONDUCTOR:DUMMY RES,0.094 OD X 0.225 L	24546	OMA 07
A54	670-5546-01	B030000	B042799	CIRCUIT BD ASSY:MEMORY (492 ONLY)	80009	670-5546-01
A54	670-5546-02	B042800		CIRCUIT BD ASSY:MEMORY (492 ONLY)	80009	670-5546-02
A54	670-6946-03	B030000	B042799	CIRCUIT BD ASSY:MEMORY (492P ONLY)	80009	670-6946-03
A54	670-6946-04	B042800	B054819	CIRCUIT BD ASSY:MEMORY (492P ONLY)	80009	670-6946-04
A54	670-6946-06	B054820		CIRCUIT BD ASSY:MEMORY (492P ONLY)	80009	670-6946-06
A54	670-8414-00	B030000	B054819	CIRCUIT BD ASSY:MEMORY (492P OPTION 11 ONLY)	80009	670-8414-00
A54	670-8414-01	B054820		CIRCUIT BD ASSY:MEMORY (492P OPTION 11 ONLY)	80009	670-8414-01
A54	670-8469-00			CIRCUIT BD ASSY:MEMORY (492 OPTION 41 ONLY)	80009	670-8469-00
A54	670-8470-00	B030000	B054819	CIRCUIT BD ASSY:MEMORY (492P OPTION 41 ONLY)	80009	670-8470-00
A54	670-8470-01	B054820		CIRCUIT BD ASSY:MEMORY (492P OPTION 41 ONLY)	80009	670-8470-01
A54	670-8787-00	B054820		CIRCUIT BD ASSY:MEMORY (492P OPTION 11/41 ONLY)	80009	670-8787-00
A54C1011	283-0111-00			CAP,FXD,CER DI:0.1UF,20%,50V	05397	C330C104M5U1CA
A54C1015	283-0111-00	B054820		CAP,FXD,CER DI:0.1UF,20%,50V (492P ONLY, OPTION 11 & 41)	05397	C330C104M5U1CA
A54C1017	283-0111-00	B054820		CAP,FXD,CER DI:0.1UF,20%,50V (492P ONLY, OPTION 11 & 41)	05397	C330C104M5U1CA
A54C1028	290-0847-00	B054820		CAP,FXD,ELCTL:47UF,+50-20%,10WVDC (492P ONLY, OPTION 11 & 41)	55680	TLB1A470MAA
A54C1031	283-0111-00			CAP,FXD,CER DI:0.1UF,20%,50V	05397	C330C104M5U1CA
A54C1033	283-0111-00	B054820		CAP,FXD,CER DI:0.1UF,20%,50V (492P ONLY, OPTION 11 & 41)	05397	C330C104M5U1CA
A54C1038	283-0111-00			CAP,FXD,CER DI:0.1UF,20%,50V	05397	C330C104M5U1CA
A54C1039	283-0111-00			CAP,FXD,CER DI:0.1UF,20%,50V	05397	C330C104M5U1CA
A54C1041	283-0111-00	B054820		CAP,FXD,CER DI:0.1UF,20%,50V (492P ONLY, OPTION 11 & 41)	05397	C330C104M5U1CA
A54C1049	283-0111-00	B054820		CAP,FXD,CER DI:0.1UF,20%,50V (492P ONLY, OPTION 11 & 41)	05397	C330C104M5U1CA
A54C2011	283-0111-00			CAP,FXD,CER DI:0.1UF,20%,50V	05397	C330C104M5U1CA
A54C2029	283-0111-00			CAP,FXD,CER DI:0.1UF,20%,50V	05397	C330C104M5U1CA
A54C2038	283-0111-00			CAP,FXD,CER DI:0.1UF,20%,50V	05397	C330C104M5U1CA
A54DS1043	150-1068-00	B054820		LT EMITTING DIO:RED,635NM,10MA MAX (492P ONLY, OPTION 11 & 41)	50434	HLMP-6320
A54DS1044	150-1068-00	B054820		LT EMITTING DIO:RED,635NM,10MA MAX (492P ONLY, OPTION 11 & 41)	50434	HLMP-6320
A54DS1045	150-1068-00	B054820		LT EMITTING DIO:RED,635NM,10MA MAX (492P ONLY, OPTION 11 & 41)	50434	HLMP-6320

Replaceable Electrical Parts
492/492P Service Vol. 2 (B030000 & Up)

Component No.	Tektronix Part No.	Serial/Assembly No. Effective	Dscont	Name & Description	Mfr. Code	Mfr. Part No.
A54DS1046	150-1068-00	B054820		LT EMITTING DIO:RED,635NM,10MA MAX (492P ONLY, OPTION 11 & 41)	50434	HLMP-6320
A54DS1047	150-1068-00	B054820		LT EMITTING DIO:RED,635NM,10MA MAX (492P ONLY, OPTION 11 & 41)	50434	HLMP-6320
A54DS1048	150-1068-00	B054820		LT EMITTING DIO:RED,635NM,10MA MAX (492P ONLY, OPTION 11 & 41)	50434	HLMP-6320
A54DS1049	150-1068-00	B054820		LT EMITTING DIO:RED,635NM,10MA MAX (492P ONLY, OPTION 11 & 41)	50434	HLMP-6320
A54L1030	108-0836-00	B054820		COIL,RF:FIXED,14UH (492P ONLY, OPTION 11 & 41)	80009	108-0836-00
A54R1037	307-0446-00			RES NTWK,FXD,FI:10K OHM,20%,(9)RES	11236	750-101-R10K
A54R1038	307-0446-00	B054820		RES NTWK,FXD,FI:10K OHM,20%,(9)RES (492P ONLY, OPTION 11 & 41)	11236	750-101-R10K
A54R1049	317-0221-00	B054820		RES,FXD,CMPSN:220 OHM,5%,0.125W (492P ONLY, OPTION 11 & 41)	01121	BB2215
A54S1033	260-1721-00			SWITCH,ROCKER:8,SPST,125MA,30VDC	81073	76SB08S
A54S1038	260-1721-00	B054820		SWITCH,ROCKER:8,SPST,125MA,30VDC (492P ONLY, OPTION 11 & 41)	81073	76SB08S
A54U1012	160-0886-04	B030000	B042799	MICROCKT,DGTL:2048 X 8 EPROM,PROGRAMMED	80009	160-0886-04
A54U1012	160-0886-05	B042800		MICROCKT,DGTL:2048 X 8 EPROM,PRGM	80009	160-0886-05
A54U1012	160-2202-00	B030000	B054819	MICROCKT,DGTL:2048 X 8 EPROM,PRGM (492P OPTION 11 ONLY)	80009	160-2202-00
A54U1014	160-3030-00	B054820		MICROCKT,DGTL:16384 X 8,PRGM (492P ONLY, OPTION 11 & 41)	80009	160-3030-00
A54U1017	160-0317-01	B030000	B054819	MICROCKT,DGTL:2048 X 8 EPROM,PROGRAMMED (492P ONLY)	80009	160-0317-01
A54U1017	160-2588-00			MICROCKT,DGTL:2048 X 8,PRGM (OPTION 41 ONLY)	80009	160-2588-00
A54U1021	160-3029-00	B054820		MICROCKT,DGTL:16384 X 8,PRGM (492P ONLY)	80009	160-3029-00
A54U1021	160-3033-00	B054820		MICROCKT,DGTL:16384 X 8,PRGM (492P ONLY OPT 11)	80009	160-3033-00
A54U1021	160-3034-00			MICROCKT,DGTL:16384 X 8,PRGM (492P ONLY, OPT 41)	80009	160-3034-00
A54U1021	160-3036-00	B054820		MICROCKT,DGTL:16384 X 8,PRGM (492P OPTION 11/41 ONLY)	80009	160-3036-00
A54U1023	160-0888-02	B030000	B054819	MICROCKT,DGTL:2048 X 8 EPROM,PRGM (492P ONLY)	80009	160-0888-02
A54U1023	160-2203-00	B030000	B054819	MICROCKT,DGTL:2048 X 8 EPROM,PRGM (492P OPT 11 ONLY)	80009	160-2203-00
A54U1026	156-1706-00	B054820		MICROCKT,DGTL:CMOS,2K X 8 SRAM (492P ONLY, OPTION 11 & 41)	TK1016	TC5516APL
A54U1028	160-0887-02	B030000	B054819	MICROCKT,DGTL:2048 X 8 EPROM,PRGM (492P ONLY)	80009	160-0887-02
A54U1028	160-2204-00	B030000	B054819	MICROCKT,DGTL:2048 X 8 EPROM,PRGM (492P OPTION 11 ONLY)	80009	160-2204-00
A54U1031	156-1706-00	B054820		MICROCKT,DGTL:CMOS,2K X 8 SRAM (492P ONLY, OPTION 11 & 41)	TK1016	TC5516APL
A54U1033	156-0956-02			MICROCKT,DGTL:OCTAL BFR W/3 STATE OUT,SCRN	01295	SN74LS244NP3
A54U1036	156-0469-02	B030000	B054819	MICROCKT,DGTL:3/8 LINE DCDR,SCRN	01295	SN74LS138NP3
A54U1036	156-0956-02	B054820		MICROCKT,DGTL:OCTAL BFR W/3 STATE OUT,SCRN	01295	SN74LS244NP3
A54U1038	156-0469-02			MICROCKT,DGTL:3/8 LINE DCDR,SCRN	01295	SN74LS138NP3
A54U1041	156-0469-02	B054820		MICROCKT,DGTL:3/8 LINE DCDR,SCRN (492P ONLY, OPTION 11 & 41)	01295	SN74LS138NP3
A54U1044	156-0541-02	B054820		MICROCKT,DGTL:DUAL 2-TO 4-LINE DCDR/DEMUX (492P ONLY, OPTION 11 & 41)	04713	SN74LS139NDS
A54U1046	156-0469-02	B054820		MICROCKT,DGTL:3/8 LINE DCDR,SCRN (492P ONLY, OPTION 41)	01295	SN74LS138NP3
A54U2012	160-0320-01	B030000	B054819	MICROCKT,DGTL:2048 X 8 EPROM,PROGRAMMED (492P ONLY)	80009	160-0320-01
A54U2012	160-2205-00	B030000	B054819	MICROCKT,DGTL:2048 X 8 EPROM,PRGM (492P OPTION 11 ONLY)	80009	160-2205-00

Component No.	Tektronix Part No.	Serial/Assembly No. Effective	Discont	Name & Description	Mfr. Code	Mfr. Part No.
A54U2015	160-3028-00	B030000	B054819	MICROCKT,DGTL:16384 X 8,PRGM (492P OPTION 11 ONLY)	80009	160-3028-00
A54U2015	160-3032-00	B054820		MICROCKT,DGTL:16384 X 8,PRGM (492P OPTION 11 ONLY)	80009	160-3032-00
A54U2023	160-0838-00			MICROCKT,DGTL:8192 X 8 ROM,PROGRAMMED	80009	160-0838-00
A54U2028	160-0839-00			MICROCKT,DGTL:8192 X 8 ROM,PROGRAMMED	80009	160-0839-00
A54U2032	156-1127-00			MICROCKT,DGTL:NMOS,1024 X 4 STATIC RAM	34335	AM91L14BDC/BPC
A54U2033	156-0382-02			MICROCKT,DGTL:QUAD 2 INP NAND GATE BURN	18324	N74LS00NB
A54U2035	156-1127-00			MICROCKT,DGTL:NMOS,1024 X 4 STATIC RAM	34335	AM91L14BDC/BPC
A54W1025	131-0566-00	B054820		BUS,CONDUCTOR:DUMMY RES,0.094 OD X 0.225 L	24546	OMA 07
A54W1026	131-0566-00	B054820		BUS,CONDUCTOR:DUMMY RES,0.094 OD X 0.225 L	24546	OMA 07
A54W1029	131-0566-00	B054820		BUS,CONDUCTOR:DUMMY RES,0.094 OD X 0.225 L	24546	OMA 07
A54W2018	131-0566-00	B054820		BUS,CONDUCTOR:DUMMY RES,0.094 OD X 0.225 L	24546	OMA 07
A56	670-5543-01	B030000	B054819	CIRCUIT BD ASSY:GPIB (492P ONLY)	80009	670-5543-01
A56	670-5543-03	B054820		CIRCUIT BD ASSY:GPIB (492P ONLY)	80009	670-5543-03
A56	670-8413-00	B030000	B054819	CIRCUIT BD ASSY:GPIB (492P OPTION 11 ONLY)	80009	670-8413-00
A56C1011	283-0111-00	B030000	B054819	CAP,FXD,CER DI:0.1UF,20%,50V	05397	C330C104M5U1CA
A56C1021	283-0111-00	B030000	B054819	CAP,FXD,CER DI:0.1UF,20%,50V	05397	C330C104M5U1CA
A56C1028	283-0111-00	B030000	B054819	CAP,FXD,CER DI:0.1UF,20%,50V	05397	C330C104M5U1CA
A56C1036	283-0111-00	B054820		CAP,FXD,CER DI:0.1UF,20%,50V (492P ONLY)	05397	C330C104M5U1CA
A56C2023	290-0847-00	B054820		CAP,FXD,ELCTLT:47UF,+50-20%,10WVDC (492P ONLY)	55680	TLB1A470MAA
A56C2025	283-0111-00	B054820		CAP,FXD,CER DI:0.1UF,20%,50V (492P ONLY)	05397	C330C104M5U1CA
A56C2027	283-0111-00	B054820		CAP,FXD,CER DI:0.1UF,20%,50V (492P ONLY)	05397	C330C104M5U1CA
A56C2032	283-0111-00	B054820		CAP,FXD,CER DI:0.1UF,20%,50V (492P ONLY)	05397	C330C104M5U1CA
A56C2033	283-0111-00	B054820		CAP,FXD,CER DI:0.1UF,20%,50V (492P ONLY)	05397	C330C104M5U1CA
A56C2034	283-0111-00	B054820		CAP,FXD,CER DI:0.1UF,20%,50V (492P ONLY)	05397	C330C104M5U1CA
A56C2036	283-0111-00	B054820		CAP,FXD,CER DI:0.1UF,20%,50V (492P ONLY)	05397	C330C104M5U1CA
A56C2037	283-0111-00	B054820		CAP,FXD,CER DI:0.1UF,20%,50V (492P ONLY)	05397	C330C104M5U1CA
A56C2038	283-0111-00			CAP,FXD,CER DI:0.1UF,20%,50V	05397	C330C104M5U1CA
A56C2039	283-0111-00			CAP,FXD,CER DI:0.1UF,20%,50V	05397	C330C104M5U1CA
A56C2041	283-0111-00	B030000	B054819	CAP,FXD,CER DI:0.1UF,20%,50V	05397	C330C104M5U1CA
A56C2042	283-0111-00	B030000	B054819	CAP,FXD,CER DI:0.1UF,20%,50V	05397	C330C104M5U1CA
A56C2045	283-0111-00	B030000	B054819	CAP,FXD,CER DI:0.1UF,20%,50V	05397	C330C104M5U1CA
A56C2047	283-0111-00	B030000	B054819	CAP,FXD,CER DI:0.1UF,20%,50V	05397	C330C104M5U1CA
A56C2051	283-0111-00	B030000	B054819	CAP,FXD,CER DI:0.1UF,20%,50V	05397	C330C104M5U1CA
A56C3012	283-0111-00	B030000	B054819	CAP,FXD,CER DI:0.1UF,20%,50V	05397	C330C104M5U1CA
A56C3019	283-0111-00	B030000	B054819	CAP,FXD,CER DI:0.1UF,20%,50V	05397	C330C104M5U1CA
A56C3025	283-0111-00	B030000	B054819	CAP,FXD,CER DI:0.1UF,20%,50V	05397	C330C104M5U1CA
A56C3030	283-0111-00	B030000	B054819	CAP,FXD,CER DI:0.1UF,20%,50V	05397	C330C104M5U1CA
A56C3031	283-0111-00	B030000	B054819	CAP,FXD,CER DI:0.1UF,20%,50V	05397	C330C104M5U1CA
A56C3040	283-0111-00	B030000	B054819	CAP,FXD,CER DI:0.1UF,20%,50V	05397	C330C104M5U1CA
A56C3042	283-0111-00	B030000	B054819	CAP,FXD,CER DI:0.1UF,20%,50V	05397	C330C104M5U1CA
A56C3044	283-0111-00	B030000	B054819	CAP,FXD,CER DI:0.1UF,20%,50V	05397	C330C104M5U1CA
A56C3046	283-0111-00	B030000	B054819	CAP,FXD,CER DI:0.1UF,20%,50V	05397	C330C104M5U1CA
A56C3048	283-0111-00	B030000	B054819	CAP,FXD,CER DI:0.1UF,20%,50V	05397	C330C104M5U1CA
A56C3049	290-0535-00	B030000	B054819	CAP,FXD,ELCTLT:33UF,20%,10V TANTALUM	56289	196D336X0010KA1
A56L1024	108-0836-00	B054820		COIL,RF:FIXED,14UH (492P ONLY)	80009	108-0836-00

Replaceable Electrical Parts
492/492P Service Vol. 2 (B030000 & Up)

Component No.	Tektronix Part No.	Serial/Assembly No. Effective	Discont	Name & Description	Mfr. Code	Mfr. Part No.
A56L3053	108-0598-00	B030000	B054819	COIL, RF: FIXED, 200UH	80009	108-0598-00
A56R1035	315-0103-00	B054820		RES, FXD, FILM: 10K OHM, 5%, 0.25W (492P ONLY)	19701	5043CX10K00J
A56R2027	307-0446-00	B054820		RES NTWK, FXD, FI: 10K OHM, 20%, (9)RES (492P ONLY)	11236	750-101-R10K
A56R2031	315-0431-00	B054820		RES, FXD, FILM: 430 OHM, 5%, 0.25W (492P ONLY)	19701	5043CX430R0J
A56R2032	315-0431-00	B054820		RES, FXD, FILM: 430 OHM, 5%, 0.25W (492P ONLY)	19701	5043CX430R0J
A56R2033	315-0431-00	B054820		RES, FXD, FILM: 430 OHM, 5%, 0.25W (492P ONLY)	19701	5043CX430R0J
A56R2034	315-0431-00	B054820		RES, FXD, FILM: 430 OHM, 5%, 0.25W (492P ONLY)	19701	5043CX430R0J
A56R2036	315-0431-00	B054820		RES, FXD, FILM: 430 OHM, 5%, 0.25W (492P ONLY)	19701	5043CX430R0J
A56R2037	315-0431-00	B054820		RES, FXD, FILM: 430 OHM, 5%, 0.25W (492P ONLY)	19701	5043CX430R0J
A56R2038	315-0431-00	B054820		RES, FXD, FILM: 430 OHM, 5%, 0.25W (492P ONLY)	19701	5043CX430R0J
A56R2039	315-0431-00	B054820		RES, FXD, FILM: 430 OHM, 5%, 0.25W (492P ONLY)	19701	5043CX430R0J
A56R2041	315-0431-00	B030000	B054819	RES, FXD, FILM: 430 OHM, 5%, 0.25W	19701	5043CX430R0J
A56R2042	315-0431-00	B030000	B054819	RES, FXD, FILM: 430 OHM, 5%, 0.25W	19701	5043CX430R0J
A56R2043	315-0431-00	B030000	B054819	RES, FXD, FILM: 430 OHM, 5%, 0.25W	19701	5043CX430R0J
A56R2044	315-0431-00	B030000	B054819	RES, FXD, FILM: 430 OHM, 5%, 0.25W	19701	5043CX430R0J
A56R3041	315-0431-00	B030000	B054819	RES, FXD, FILM: 430 OHM, 5%, 0.25W	19701	5043CX430R0J
A56R3042	315-0431-00	B030000	B054819	RES, FXD, FILM: 430 OHM, 5%, 0.25W	19701	5043CX430R0J
A56R3043	315-0431-00	B030000	B054819	RES, FXD, FILM: 430 OHM, 5%, 0.25W	19701	5043CX430R0J
A56R3044	315-0431-00	B030000	B054819	RES, FXD, FILM: 430 OHM, 5%, 0.25W	19701	5043CX430R0J
A56R3049	307-0446-00	B030000	B054819	RES NTWK, FXD, FI: 10K OHM, 20%, (9)RES	11236	750-101-R10K
A56TP1036	214-0579-00	B054820		TERM, TEST POINT: BRS CD PL	80009	214-0579-00
A56U1011	156-0382-02	B030000	B054819	MICROCKT, DGTL: QUAD 2 INP NAND GATE BURN	18324	N74LS00NB
A56U1021	156-0469-02	B030000	B054819	MICROCKT, DGTL: 3/8 LINE DCDR, SCRNR	01295	SN74LS138NP3
A56U1028	156-0541-02	B030000	B054819	MICROCKT, DGTL: DUAL 2-TO 4-LINE DCDR/DEMUX	04713	SN74LS139NDS
A56U1032	156-1127-01	B030000	B054819	MICROCKT, DGTL: 1024 X 4 STATIC RAM	80009	156-1127-01
A56U1035	156-0469-02	B054820		MICROCKT, DGTL: 3/8 LINE DCDR, SCRNR	01295	SN74LS138NP3
A56U1037	156-1127-01	B030000	B054819	MICROCKT, DGTL: 1024 X 4 STATIC RAM	80009	156-1127-01
A56U1042	156-1127-01	B030000	B054819	MICROCKT, DGTL: 1024 X 4 STATIC RAM	80009	156-1127-01
A56U1046	156-1127-01	B030000	B054819	MICROCKT, DGTL: 1024 X 4 STATIC RAM	80009	156-1127-01
A56U2012	160-0952-01	B030000	B054819	MICROCKT, DGTL: 2048 X 8 EPROM, PRGM	80009	160-0952-01
A56U2012	160-2206-00	B030000	B054819	MICROCKT, DGTL: 2048 X 8 EPROM, PRGM (492P OPTION 11 ONLY)	80009	160-2206-00
A56U2019	160-0948-01	B030000	B054819	MICROCKT, DGTL: 2048 X 8 EPROM, PRGM	80009	160-0948-01
A56U2019	160-2207-00	B030000	B054819	MICROCKT, DGTL: 2048 X 8 EPROM, PRGM (492P OPTION 11 ONLY)	80009	160-2207-00
A56U2025	160-0951-01	B030000	B054819	MICROCKT, DGTL: 2048 X 8 EPROM, PRGM	80009	160-0951-01
A56U2025	160-2208-00	B030000	B054819	MICROCKT, DGTL: 2048 X 8 EPROM, PRGM (492P OPTION 11 ONLY)	80009	160-2208-00
A56U2027	156-0914-02	B054820		MICROCKT, DGTL: OCT ST BFR W/3 STATE OUT, SCRNR	01295	SN74LS240NP3
A56U2031	160-0949-01	B030000	B054819	MICROCKT, DGTL: 2048 X 8 EPROM, PRGM	80009	160-0949-01
A56U2031	160-2209-00	B030000	B054819	MICROCKT, DGTL: 2048 X 8 EPROM, PRGM (492P OPTION 11 ONLY)	80009	160-2209-00
A56U2036	156-1444-01	B054820		MICROCKT, DGTL: NMOS, GPIB INTFC CONTROLLER	01295	TMS9914A (NL)
A56U2047	156-1444-00	B030000	B041879	MICROCKT, DGTL: GPIB ADAPTER	01295	TMS9914NL
A56U2047	156-1444-01	B041880	B054819	MICROCKT, DGTL: NMOS, GPIB INTFC CONTROLLER	01295	TMS9914A (NL)
A56U3012	160-0950-02	B030000	B054819	MICROCKT, DGTL: 2048 X 8 EPROM, PRGM	80009	160-0950-02
A56U3012	160-2210-00	B030000	B054819	MICROCKT, DGTL: 2048 X 8 EPROM, PRGM (492P OPTION 11 ONLY)	80009	160-2210-00
A56U3019	160-0969-01	B030000	B054819	MICROCKT, DGTL: 2048 X 8 EPROM, PRGM	80009	160-0969-01
A56U3019	160-2211-00	B030000	B054819	MICROCKT, DGTL: 2048 X 8 EPROM, PRGM (492P OPTION 11 ONLY)	80009	160-2211-00

Component No.	Tektronix Part No.	Serial/Assembly No. Effective	Discont	Name & Description	Mfr. Code	Mfr. Part No.
A56U3025	160-0947-02	B030000	B054819	MICROCKT, DGTL:2048 X 8 EPROM, PRGM	80009	160-0947-02
A56U3025	160-2212-00	B030000	B054819	MICROCKT, DGTL:2048 X 8 EPROM, PRGM (492P OPTION 11 ONLY)	80009	160-2212-00
A56U3031	160-0953-02	B030000	B054819	MICROCKT, DGTL:2048 X 8 EPROM, PRGM	80009	160-0953-02
A56U3031	160-2213-00	B030000	B054819	MICROCKT, DGTL:2048 X 8 EPROM, PRGM (492P OPTION 11 ONLY)	80009	160-2213-00
A56U3039	156-0914-02	B030000	B054819	MICROCKT, DGTL:OCT ST BFR W/3 STATE OUT, SCRN	01295	SN74LS240NP3
A56A1	670-7060-00	B030000	B054819	CIRCUIT BD ASSY: GPIB EXTENDER (492P ONLY, CONTAINS NO ELEC PARTS)	80009	670-7060-00
A56A1	670-7916-01	B054820		CIRCUIT BD ASSY: GPIB EXTENDER (492P ONLY, CONTAINS NO ELEC PARTS)	80009	670-7916-01
A56A1P566	131-1609-00	B054820		CONN, RCPT, ELEC: EDGE CARD, 2 X 8, 0.1 SPACING	80009	131-1609-00
A58	670-5542-00	B030000	B031419	CIRCUIT BD ASSY: PROCESSOR (492 ONLY)	80009	670-5542-00
A58	670-5542-01	B031420		CIRCUIT BD ASSY: PROCESSOR (492 ONLY)	80009	670-5542-01
A58	670-5542-00	B030000	B031659	CIRCUIT BD ASSY: PROCESSOR (492P ONLY)	80009	670-5542-00
A58	670-5542-01	B031660	B054819	CIRCUIT BD ASSY: PROCESSOR (492P ONLY)	80009	670-5542-01
A58	670-7895-00	B054820		CIRCUIT BD ASSY: PROCESSOR (492P ONLY)	80009	670-7895-00
A58C1010	283-0111-00	B054820		CAP, FXD, CER DI: 0.1UF, 20%, 50V (492P ONLY)	05397	C330C104M5U1CA
A58C1012	283-0111-00	B054820		CAP, FXD, CER DI: 0.1UF, 20%, 50V (492P ONLY)	05397	C330C104M5U1CA
A58C1013	283-0111-00			CAP, FXD, CER DI: 0.1UF, 20%, 50V	05397	C330C104M5U1CA
A58C1022	290-0847-00	B054820		CAP, FXD, ELCTLT: 47UF, +50-20%, 10WVDC (492P ONLY)	55680	TLB1A470MAA
A58C1023	283-0111-00			CAP, FXD, CER DI: 0.1UF, 20%, 50V	05397	C330C104M5U1CA
A58C1023	283-0334-00	B054820		CAP, FXD, CER DI: 130PF, +1-2%, 500V (492P ONLY)	04222	SR207A131GAA
A58C1024	283-0334-00			CAP, FXD, CER DI: 130PF, +1-2%, 500V	04222	SR207A131GAA
A58C1025	283-0334-00	B054820		CAP, FXD, CER DI: 130PF, +1-2%, 500V (492P ONLY)	04222	SR207A131GAA
A58C1026	283-0334-00			CAP, FXD, CER DI: 130PF, +1-2%, 500V	04222	SR207A131GAA
A58C1028	283-0111-00	B054820		CAP, FXD, CER DI: 0.1UF, 20%, 50V (492P ONLY)	05397	C330C104M5U1CA
A58C1029	283-0204-00	B054820		CAP, FXD, CER DI: 0.01UF, 20%, 50V (492P ONLY)	04222	SR155E103MAA
A58C1033	283-0111-00			CAP, FXD, CER DI: 0.1UF, 20%, 50V	05397	C330C104M5U1CA
A58C1034	283-0111-00	B054820		CAP, FXD, CER DI: 0.1UF, 20%, 50V (492P ONLY)	05397	C330C104M5U1CA
A58C1036	283-0111-00	B054820		CAP, FXD, CER DI: 0.1UF, 20%, 50V (492P ONLY)	05397	C330C104M5U1CA
A58C1038	283-0213-00	B054820		CAP, FXD, CER DI: 300PF, 5%, 100V (492P ONLY)	04222	3429-100A-301J
A58C2018	283-0111-00	B054820		CAP, FXD, CER DI: 0.1UF, 20%, 50V (492P ONLY)	05397	C330C104M5U1CA
A56C2020	283-0111-00	B054820		CAP, FXD, CER DI: 0.1UF, 20%, 50V (492P ONLY)	05397	C330C104M5U1CA
A58C2026	283-0111-00	B054820		CAP, FXD, CER DI: 0.1UF, 20%, 50V (492P ONLY)	05397	C330C104M5U1CA
A58C2028	290-0847-00	B054820		CAP, FXD, ELCTLT: 47UF, +50-20%, 10WVDC (492P ONLY)	55680	TLB1A470MAA
A58C2034	290-0748-00	B054820		CAP, FXD, ELCTLT: 16UF, +50-20%, 25WVDC (492P ONLY)	54473	ECE-BIEV100S
A58C2036	283-0213-00	B054820		CAP, FXD, CER DI: 300PF, 5%, 100V (492P ONLY)	04222	3429-100A-301J
A58C2038	283-0156-00	B054820		CAP, FXD, CER DI: 0.001 UF, +80-20%, 200V (492P ONLY)	05397	C315C102Z2R5CA
A58C2042	283-0111-00			CAP, FXD, CER DI: 0.1UF, 20%, 50V	05397	C330C104M5U1CA

Replaceable Electrical Parts
492/492P Service Vol. 2 (8030000 & Up)

Component No.	Tektronix Part No.	Serial/Assembly No. Effective	Dscont	Name & Description	Mfr. Code	Mfr. Part No.
A58C2046	283-0111-00			CAP, FXD, CER DI: 0.1UF, 20%, 50V	05397	C330C104M5U1CA
A58C3015	283-0111-00			CAP, FXD, CER DI: 0.1UF, 20%, 50V	05397	C330C104M5U1CA
A58C3032	283-0111-00			CAP, FXD, CER DI: 0.1UF, 20%, 50V	05397	C330C104M5U1CA
A58C3042	290-0512-00			CAP, FXD, ELCTLT: 22UF, 20%, 15V	05397	T368B226M015AS
A58C4034	283-0111-00			CAP, FXD, CER DI: 0.1UF, 20%, 50V	05397	C330C104M5U1CA
A58C4038	283-0641-00	B030000	B031419	CAP, FXD, MICA DI: 180PF, 1%, 100V (492 ONLY)	00853	D155F181F0
A58C4038	283-0625-00	B031420		CAP, FXD, MICA DI: 220PF, 1%, 500V (492 ONLY)	00853	D105F221F0
A58C4038	283-0641-00	B030000	B031659	CAP, FXD, MICA DI: 180PF, 1%, 100V (492P ONLY)	00853	D155F181F0
A58C4038	283-0625-00	B031660	B054819	CAP, FXD, MICA DI: 220PF, 1%, 500V (492P ONLY)	00853	D105F221F0
A58CR1024	152-0141-02	B054820		SEMICONV DVC, DI: SW, SI, 30V, 150MA, 30V, DO-35 (492P ONLY)	03508	DA2527 (1N4152)
A58CR1026	152-0141-02	B054820		SEMICONV DVC, DI: SW, SI, 30V, 150MA, 30V, DO-35 (492P ONLY)	03508	DA2527 (1N4152)
A58CR1028	152-0141-02	B054820		SEMICONV DVC, DI: SW, SI, 30V, 150MA, 30V, DO-35 (492P ONLY)	03508	DA2527 (1N4152)
A58CR2024	152-0322-00			SEMICONV DVC, DI: SCHOTTKY, SI, 15V, DO-35	50434	5082-2672
A58CR2025	152-0322-00			SEMICONV DVC, DI: SCHOTTKY, SI, 15V, DO-35	50434	5082-2672
A58DS1032	150-1068-00			LT EMITTING DIO: RED, 635NM, 10MA MAX	50434	HLMP-6320
A58DS1034	150-1068-00			LT EMITTING DIO: RED, 635NM, 10MA MAX	50434	HLMP-6320
A58DS1036	150-1068-00			LT EMITTING DIO: RED, 635NM, 10MA MAX	50434	HLMP-6320
A58DS1038	150-1068-00			LT EMITTING DIO: RED, 635NM, 10MA MAX	50434	HLMP-6320
A58DS1042	150-1068-00			LT EMITTING DIO: RED, 635NM, 10MA MAX	50434	HLMP-6320
A58DS1044	150-1068-00			LT EMITTING DIO: RED, 635NM, 10MA MAX	50434	HLMP-6320
A58L2028	108-0836-00	B054820		COIL, RF: FIXED, 14UH (492P ONLY)	80009	108-0836-00
A58L3056	108-0598-00			COIL, RF: FIXED, 200UH	80009	108-0598-00
A58L4044	108-0249-00			CHOKO, RF: FIXED, 12MF	76493	B-4992
A58Q1036	151-0190-00	B054820		TRANSISTOR: NPN, SI, TO-92 (492P ONLY)	80009	151-0190-00
A58Q2028	151-0302-00	B054820		TRANSISTOR: NPN, SI, TO-18 (492P ONLY)	04713	ST899
A58Q2038	151-0190-00	B054820		TRANSISTOR: NPN, SI, TO-92 (492P ONLY)	80009	151-0190-00
A58R1014	315-0332-00	B054820		RES, FXD, FILM: 3.3K OHM, 5%, 0.25W (492P ONLY)	57668	NTR25J-E03K3
A58R1016	315-0332-00	B054820		RES, FXD, FILM: 3.3K OHM, 5%, 0.25W (492P ONLY)	57668	NTR25J-E03K3
A58R1020	307-0446-00			RES NTWK, FXD, FI: 10K OHM, 20%, (9)RES	11236	750-101-R10K
A58R1021	315-0102-00			RES, FXD, FILM: 1K OHM, 5%, 0.25W	57668	NTR25JE01K0
A58R1022	315-0102-00			RES, FXD, FILM: 1K OHM, 5%, 0.25W	57668	NTR25JE01K0
A58R1022	315-0272-00	B054820		RES, FXD, FILM: 2.7K OHM, 5%, 0.25W (492P ONLY)	57668	NTR25J-E02K7
A58R1023	321-0277-00			RES, FXD, FILM: 7.50K OHM, 1%, 0.125W, TC=T0	24546	NA55D7501F
A58R1023	307-0446-00	B054820		RES NTWK, FXD, FI: 10K OHM, 20%, (9)RES (492P ONLY)	11236	750-101-R10K
A58R1024	321-0277-00			RES, FXD, FILM: 7.50K OHM, 1%, 0.125W, TC=T0	24546	NA55D7501F
A58R1024	315-0102-00	B054820		RES, FXD, FILM: 1K OHM, 5%, 0.25W (492P ONLY)	57668	NTR25JE01K0
A58R1025	315-0183-00	B054820		RES, FXD, FILM: 18K OHM, 5%, 0.25W (492P ONLY)	19701	5043CX18K00J
A58R1026	315-0103-00			RES, FXD, FILM: 10K OHM, 5%, 0.25W	19701	5043CX10K00J
A58R1026	315-0512-00	B054820		RES, FXD, FILM: 5.1K OHM, 5%, 0.25W (492P ONLY)	57668	NTR25J-E05K1
A58R1027	315-0103-00			RES, FXD, FILM: 10K OHM, 5%, 0.25W	19701	5043CX10K00J
A58R1027	315-0202-00	B054820		RES, FXD, FILM: 2K OHM, 5%, 0.25W (492P ONLY)	57668	NTR25J-E 2K
A58R1028	315-0272-00	B054820		RES, FXD, FILM: 2.7K OHM, 5%, 0.25W	57668	NTR25J-E02K7

Replaceable Electrical Parts
492/492P Service Vol. 2 (B030000 & Up)

Component No.	Tektronix Part No.	Serial/Assembly No. Effective	Dscont	Name & Description	Mfr. Code	Mfr. Part No.
A58R1029	307-0446-00	B054820		(492P ONLY) RES NTWK, FXD, FI:10K OHM, 20%, (9)RES	11236	750-101-R10K
A58R1034	315-0103-00			(492P ONLY) RES, FXD, FILM:10K OHM, 5%, 0.25W	19701	5043CX10K00J
A58R1034	315-0273-00	B054820		RES, FXD, FILM:27K OHM, 5%, 0.25W (492P ONLY)	57668	NTR25J-E27K0
A58R1036	307-0594-00			RES NTWK, FXD, FI:7,220 OHM, 2%, 1.0W	11236	750-81-R220
A58R1036	315-0243-00	B054820		RES, FXD, FILM:24K OHM, 5%, 0.25W (492P ONLY)	57668	NTR25J-E24K0
A58R1038	315-0101-00	B054820		RES, FXD, FILM:100 OHM, 5%, 0.25W (492P ONLY)	57668	NTR25J-E 100E
A58R2018	307-0446-00	B054820		RES NTWK, FXD, FI:10K OHM, 20%, (9)RES (492P ONLY)	11236	750-101-R10K
A58R2020	315-0102-00	B054820		RES, FXD, FILM:1K OHM, 5%, 0.25W (492P ONLY)	57668	NTR25JE01K0
A58R2022	315-0681-00	B054820		RES, FXD, FILM:680 OHM, 5%, 0.25W (492P ONLY)	57668	NTR25J-E680E
A58R2026	307-0103-00	B054820		RES, FXD, CMPSN:2.7 OHM, 5%, 0.25W (492P ONLY)	01121	CB27G5
A58R2027	315-0103-00			RES, FXD, FILM:10K OHM, 5%, 0.25W	19701	5043CX10K00J
A58R2032	131-0566-00			BUS, CONDUCTOR:DUMMY RES, 0.094 OD X 0.225 L	24546	OMA 07
A58R2032	315-0202-00	B054820		RES, FXD, FILM:2K OHM, 5%, 0.25W (492P ONLY)	57668	NTR25J-E 2K
A58R2034	315-0202-00	B054820		RES, FXD, FILM:2K OHM, 5%, 0.25W (492P ONLY)	57668	NTR25J-E 2K
A58R2036	315-0102-00	B054820		RES, FXD, FILM:1K OHM, 5%, 0.25W (492P ONLY)	57668	NTR25JE01K0
A58R2038	315-0473-00	B054820		RES, FXD, FILM:47K OHM, 5%, 0.25W (492P ONLY)	57668	NTR25J-E47K0
A58R2039	315-0471-00	B054820		RES, FXD, FILM:470 OHM, 5%, 0.25W (492P ONLY)	57668	NTR25J-E470E
A58R3015	307-0446-00			RES NTWK, FXD, FI:10K OHM, 20%, (9)RES	11236	750-101-R10K
A58R3034	307-0103-00			RES, FXD, CMPSN:2.7 OHM, 5%, 0.25W (492 ONLY)	01121	CB27G5
A58R3034	307-0103-00	B030000	B031419	RES, FXD, CMPSN:2.7 OHM, 5%, 0.25W (492P ONLY)	01121	CB27G5
A58R3043	315-0102-00			RES, FXD, FILM:1K OHM, 5%, 0.25W	57668	NTR25JE01K0
A58R3046	307-0103-00	B030000	B031419	RES, FXD, CMPSN:2.7 OHM, 5%, 0.25W	01121	CB27G5
A58R4042	315-0103-00			RES, FXD, FILM:10K OHM, 5%, 0.25W	19701	5043CX10K00J
A58R4043	315-0202-00			RES, FXD, FILM:2K OHM, 5%, 0.25W	57668	NTR25J-E 2K
A58TP1036	214-0579-00	B054820		TERM, TEST POINT:BR5 CD PL	80009	214-0579-00
A58U1013	156-1111-02			MICROCKT, DGTL:OCTAL BUS XCVR W/3 STATE OUT	01295	SN74LS245N3
A58U1014	156-0956-02	B054820		MICROCKT, DGTL:OCTAL BFR W/3 STATE OUT, SCRN (492P ONLY)	01295	SN74LS244NP3
A58U1016	156-1426-00	B054820		MICROCKT, DGTL:NMOS, PROGRAMMABLE TIMER MDL (492P ONLY)	04713	MC68B40 (L OR P)
A58U1018	156-0481-02	B054820		MICROCKT, DGTL:TRIPLE 3-INP & GATE, SCRN (492P ONLY)	01295	SN74LS11NP3
A58U1020	156-0469-02	B054820		MICROCKT, DGTL:3/8 LINE DCDR, SCRN (492P ONLY)	01295	SN74LS138NP3
A58U1026	156-1111-02	B054820		MICROCKT, DGTL:OCTAL BUS XCVR W/3 STATE OUT (492P ONLY)	01295	SN74LS245N3
A58U1031	156-0724-02			MICROCKT, DGTL:HEX INV W/OC OUT, SCRN,	01295	SN74LS05NP3
A58U1034	156-1342-00	B054820		MICROCKT, DGTL:NMOS, 8 BIT W/CLOCK & RAM (492P ONLY)	04713	MC6802P
A58U1037	156-0541-02			MICROCKT, DGTL:DUAL 2-TO 4-LINE DCDR/DEMUX	04713	SN74LS139NDS
A58U2010	156-0427-03	B030000	B056116	MICROCKT, DGTL:NMOS, PERIPHERAL INTFC ADPTR	04713	MC6821L
A58U2010	156-0427-04	B056117		MICROCKT, DGTL:PERIPHERAL INTERFACE ADPTR	04713	MC6821LD
A58U2010	156-0427-03	B054820		MICROCKT, DGTL:NMOS, PERIPHERAL INTFC ADPTR	04713	MC6821L
A58U2010	156-0427-04	B056117		MICROCKT, DGTL:PERIPHERAL INTERFACE ADPTR (492P ONLY)	04713	MC6821LD

Replaceable Electrical Parts
492/492P Service Vol. 2 (B030000 & Up)

Component No.	Tektronix Part No.	Serial/Assembly No. Effective	Discont	Name & Description	Mfr. Code	Mfr. Part No.
A58U2012	156-0956-02	B054820		MICROCKT,DGTL:OCTAL BFR W/3 STATE OUT,SCRN (492P ONLY)	01295	SN74LS244NP3
A58U2014	156-0956-02			MICROCKT,DGTL:OCTAL BFR W/3 STATE OUT,SCRN	01295	SN74LS244NP3
A58U2018	156-1111-02	B054820		MICROCKT,DGTL:OCTAL BUS XCVR W/3 STATE OUT (492P ONLY)	01295	SN74LS245N3
A58U2020	156-0724-02	B054820		MICROCKT,DGTL:HEX INV W/OC OUT,SCRN, (492P ONLY)	01295	SN74LS05NP3
A58U2024	156-0956-02	B054820		MICROCKT,DGTL:OCTAL BFR W/3 STATE OUT,SCRN (492P ONLY)	01295	SN74LS244NP3
A58U2028	156-0956-02	B054820		MICROCKT,DGTL:OCTAL BFR W/3 STATE OUT,SCRN (492P ONLY)	01295	SN74LS244NP3
A58U2032	156-0956-02	B054820		MICROCKT,DGTL:OCTAL BFR W/3 STATE OUT,SCRN (492P ONLY)	01295	SN74LS244NP3
A58U2035	156-0956-02			MICROCKT,DGTL:OCTAL BFR W/3 STATE OUT,SCRN	01295	SN74LS244NP3
A58U2044	156-0469-02			MICROCKT,DGTL:3/8 LINE DCDR,SCRN	01295	SN74LS138NP3
A58U3016	156-1111-02			MICROCKT,DGTL:OCTAL BUS XCVR W/3 STATE OUT	01295	SN74LS245N3
A58U3022	156-0427-03			MICROCKT,DGTL:NMOS,PERIPHERAL INTFC ADPTR	04713	MC6821L
A58U3027	156-0426-00			MICROCKT,DGTL:MICROPROCESSOR	04713	MC6800 (S OR P)
A58U3036	156-0956-02			MICROCKT,DGTL:OCTAL BFR W/3 STATE OUT,SCRN	01295	SN74LS244NP3
A58U3043	156-0956-02			MICROCKT,DGTL:OCTAL BFR W/3 STATE OUT,SCRN	01295	SN74LS244NP3
A58U3045	156-1086-00			MICROCKT,DGTL:STTL,TWO PHASE CLOCK GEN/DRVR	04713	MC6875P OR L
A58W1025	131-0566-00	B054820		BUS,CONDUCTOR:DUMMY RES,0.094 OD X 0.225 L (492P ONLY)	24546	OMA 07
A58W1036	131-0566-00	B054820		BUS,CONDUCTOR:DUMMY RES,0.094 OD X 0.225 L (492P ONLY)	24546	OMA 07
A58W3034	131-0566-00	B031420		BUS,CONDUCTOR:DUMMY RES,0.094 OD X 0.225 L (492 ONLY)	24546	OMA 07
A58W3034	131-0566-00	B041660	B054819	BUS,CONDUCTOR:DUMMY RES,0.094 OD X 0.225 L (492P ONLY)	24546	OMA 07
A58Y1036	158-0257-00	B054820		XTAL UNIT,QTZ:3.4133MHZ,0.01%,ANTIRESONANT (492P ONLY)	33096	CCAT101872
A58Y3037	158-0088-00			XTAL UNIT,QTZ:3.4133MHZ 0.01%, PARALLEL	33096	PB-1309
A60	670-5555-00	B030000	B041894	CIRCUIT BD ASSY:DIGITAL STORAGE INTFC (OPTION 02 ONLY)	80009	670-5555-00
A60	670-5555-01	B041895	B043114	CIRCUIT BD ASSY:DIGITAL STORAGE INTFC (OPTION 02 ONLY)	80009	670-5555-01
A60	670-5555-02	B043115	B043349	CIRCUIT BD ASSY:DIGITAL STORAGE INTFC (OPTION 02 ONLY)	80009	670-5555-02
A60	670-5555-03	B043350	B053994	CIRCUIT BD ASSY:DIGITAL STORAGE INTFC (OPTION 02 ONLY)	80009	670-5555-03
A60	670-5555-04	B053995	B055949	CIRCUIT BD ASSY:DIGITAL STORAGE INTERFACE (OPTION 02 ONLY)	80009	670-5555-04
A60	670-5555-05	B055950	B056032	CIRCUIT BD ASSY:DIGITAL STORAGE INTERFACE (OPTION 02 ONLY)	80009	670-5555-05
A60	670-5555-06	B056033		CIRCUIT BD ASSY:DIGITAL STORAGE INTERFACE (OPTION 02 ONLY)	80009	670-5555-06
A60C1038	283-0346-00	B030000	B043114	CAP,FXD,CER DI:0.47UF,+80-20%,100V	20932	5034ES100RD474Z
A60C1041	283-0359-01	B043115	B055949	CAP,FXD,CER DI:1000PF,5%,200V	05397	C330C102J2G5CA
A60C1045	283-0346-00	B030000	B041311	CAP,FXD,CER DI:0.47UF,+80-20%,100V	20932	5034ES100RD474Z
A60C1048	283-0346-00	B043115		CAP,FXD,CER DI:0.47UF,+80-20%,100V	20932	5034ES100RD474Z
A60C2019	281-0814-00	B030000	B043114	CAP,FXD,CER DI:100 PF,10%,100V	04222	MA101A101KAA
A60C2020	283-0330-00	B030000	B056032	CAP,FXD,CER DI:100PF,5%,50V	05397	C320C101J5R5CA
A60C2022	283-0330-00	B043115		CAP,FXD,CER DI:100PF,5%,50V	05397	C320C101J5R5CA
A60C2041	283-0346-00	B043115		CAP,FXD,CER DI:0.47UF,+80-20%,100V	20932	5034ES100RD474Z
A60C2042	283-0065-00	B043115		CAP,FXD,CER DI:0.001UF,5%,100V	59660	0835-591Y5E0102J
A60C2043	283-0065-00	B030000	B043114	CAP,FXD,CER DI:0.001UF,5%,100V	59660	0835-591Y5E0102J
A60C2043	283-0527-00	B043115		CAP,FXD,MICA DI:1000PF,5%,500V	72136	CM19E102J
A60C2044	283-0065-00	B043115		CAP,FXD,CER DI:0.001UF,5%,100V	59660	0835-591Y5E0102J
A60C2045	283-0065-00	B030000	B043114	CAP,FXD,CER DI:0.001UF,5%,100V	59660	0835-591Y5E0102J
A60C2045	290-0527-00	B043115		CAP,FXD,ELCLTL:15UF,20%,20V	05397	T368B156M020AS
A60C2046	290-0527-00	B043115		CAP,FXD,ELCLTL:15UF,20%,20V	05397	T368B156M020AS

Component No.	Tektronix Part No.	Serial/Assembly No. Effective	Discont	Name & Description	Mfr. Code	Mfr. Part No.
A60C2047	290-0527-00	B043115		CAP,FXD,ELCTLT:15UF,20%,20V	05397	T368B156M020AS
A60C3032	290-0527-00	B030000	B043114	CAP,FXD,ELCTLT:15UF,20%,20V	05397	T368B156M020AS
A60C3036	290-0527-00	B030000	B043114	CAP,FXD,ELCTLT:15UF,20%,20V	05397	T368B156M020AS
A60C3038	290-0527-00	B030000	B043114	CAP,FXD,ELCTLT:15UF,20%,20V	05397	T368B156M020AS
A60C3048	290-0527-00	B030000	B043114	CAP,FXD,ELCTLT:15UF,20%,20V	05397	T368B156M020AS
A60L2039	108-0598-00	B043115		COIL,RF:FIXED,200UH	80009	108-0598-00
A60L2041	108-0598-00	B043115		COIL,RF:FIXED,200UH	80009	108-0598-00
A60L2043	108-0598-00	B043115		COIL,RF:FIXED,200UH	80009	108-0598-00
A60L2046	108-0598-00	B043115		COIL,RF:FIXED,200UH	80009	108-0598-00
A60L3032	108-0598-00	B030000	B043114	COIL,RF:FIXED,200UH	80009	108-0598-00
A60L3034	108-0598-00	B030000	B043114	COIL,RF:FIXED,200UH	80009	108-0598-00
A60L3036	108-0598-00	B030000	B043114	COIL,RF:FIXED,200UH	80009	108-0598-00
A60L3048	108-0598-00	B030000	B043114	COIL,RF:FIXED,200UH	80009	108-0598-00
A60R1024	317-0103-00	B043350	B055949	RES,FXD,CMPNSN:10K OHM,5%,0.125W	01121	BB1035
A60R1024	317-0202-00	B055950		RES,FXD,CMPNSN:2K OHM,5%,0.125W	01121	BB2025
A60R1026	317-0103-00	B043350	B055949	RES,FXD,CMPNSN:10K OHM,5%,0.125W	01121	BB1035
A60R1026	317-0202-00	B055950		RES,FXD,CMPNSN:2K OHM,5%,0.125W	01121	BB2025
A60R1034	321-0188-00	B030000	B053994	RES,FXD,FILM:887 OHM,1%,0.125W,TC=TO	07716	CEAD887ROF
A60R1034	317-0153-00	B053995		RES,FXD,CMPNSN:15K OHM,5%,0.125W	01121	BB1535
A60R1035	321-0188-00	B030000	B043114	RES,FXD,FILM:887 OHM,1%,0.125W,TC=TO	07716	CEAD887ROF
A60R1036	321-0277-00	B030000	B043114	RES,FXD,FILM:7.50K OHM,1%,0.125W,TC=TO	24546	NA55D7501F
A60R1037	321-0199-00	B030000	B043114	RES,FXD,FILM:1.15K OHM,1%,0.125W,TC=TO	07716	CEAD11500F
A60R1038	321-0402-00	B030000	B043114	RES,FXD,FILM:150K OHM,1%,0.125W,TC=TO	19701	5033ED150KOF
A60R1039	315-0102-00	B030000	B043114	RES,FXD,FILM:1K OHM,5%,0.25W	57668	NTR25JE01K0
A60R1039	311-1915-00	B043115		RES,VAR,NONWV:TRMR,20K OHM,10%,0.5 W	32997	3386C-T07-203
A60R1040	311-1921-00	B030000	B043114	RES,VAR,NONWV:TRMR,250 OHM,10%,0.5 W	32997	3386C-T07-251
A60R1040	315-0273-00	B043115	B055949	RES,FXD,FILM:27K OHM,5%,0.25W	57668	NTR25J-E27K0
A60R1041	311-1921-00	B043115		RES,VAR,NONWV:TRMR,250 OHM,10%,0.5 W	32997	3386C-T07-251
A60R1042	321-0188-00	B043115		RES,FXD,FILM:887 OHM,1%,0.125W,TC=TO	07716	CEAD887ROF
A60R1043	321-0188-00	B043115		RES,FXD,FILM:887 OHM,1%,0.125W,TC=TO	07716	CEAD887ROF
A60R1044	315-0152-00	B030000	B043114	RES,FXD,FILM:1.5K OHM,5%,0.25W	57668	NTR25J-E01K5
A60R1044	321-0402-00	B043115		RES,FXD,FILM:150K OHM,1%,0.125W,TC=TO	19701	5033ED150KOF
A60R1045	311-1921-00	B030000	B043114	RES,VAR,NONWV:TRMR,250 OHM,10%,0.5 W	32997	3386C-T07-251
A60R1045	315-0102-00	B043115		RES,FXD,FILM:1K OHM,5%,0.25W	57668	NTR25JE01K0
A60R1046	311-1915-00	B043115		RES,VAR,NONWV:TRMR,20K OHM,10%,0.5 W	32997	3386C-T07-203
A60R1047	315-0152-00	B043115		RES,FXD,FILM:1.5K OHM,5%,0.25W	57668	NTR25J-E01K5
A60R1048	311-1921-00	B043115		RES,VAR,NONWV:TRMR,250 OHM,10%,0.5 W	32997	3386C-T07-251
A60R1049	315-0102-00	B043115		RES,FXD,FILM:1K OHM,5%,0.25W	57668	NTR25JE01K0
A60R2015	307-0466-00	B043115		RES,THERMAL:470 OHM,20%,0.5W,TELEQ	80009	307-0466-00
A60R2019	317-0102-00	B030000	B043114	RES,FXD,CMPNSN:1K OHM,5%,0.125W	01121	BB1025
A60R2022	317-0102-00	B043115	B056032	RES,FXD,CMPNSN:1K OHM,5%,0.125W	01121	BB1025
A60R2023	317-0103-00	B043350	B055949	RES,FXD,CMPNSN:10K OHM,5%,0.125W	01121	BB1035
A60R2023	317-0202-00	B055950		RES,FXD,CMPNSN:2K OHM,5%,0.125W	01121	BB2025
A60R2025	315-0152-00	B043115		RES,FXD,FILM:1.5K OHM,5%,0.25W	57668	NTR25J-E01K5
A60R2027	315-0203-00	B043115		RES,FXD,FILM:20K OHM,5%,0.25W	57668	NTR25J-E 20K
A60R2033	307-0466-00	B043115		RES,THERMAL:470 OHM,20%,0.5W,TELEQ	80009	307-0466-00
A60R2035	315-0272-00	B043115		RES,FXD,FILM:2.7K OHM,5%,0.25W	57668	NTR25J-E02K7
A60R2036	321-0385-00	B030000	B043114	RES,FXD,FILM:100K OHM,1%,0.125W,TC=TO	19701	5033ED100KOF
A60R2040	321-0199-00	B043115		RES,FXD,FILM:1.15K OHM,1%,0.125W,TC=TO	07716	CEAD11500F
A60R2041	321-0385-00	B030000	B043114	RES,FXD,FILM:100K OHM,1%,0.125W,TC=TO	19701	5033ED100KOF
A60R2041	321-0277-00	B043115		RES,FXD,FILM:7.50K OHM,1%,0.125W,TC=TO	24546	NA55D7501F
A60R2042	315-0102-00	B030000	B043114	RES,FXD,FILM:1K OHM,5%,0.25W	57668	NTR25JE01K0
A60R2042	321-0412-00	B043115		RES,FXD,FILM:191K OHM,1%,0.125W,TC=TO	07716	CEAD19102F
A60R2043	321-0277-00	B030000	B043114	RES,FXD,FILM:7.50K OHM,1%,0.125W,TC=TO	24546	NA55D7501F
A60R2043	321-0277-00	B043115		RES,FXD,FILM:7.50K OHM,1%,0.125W,TC=TO	24546	NA55D7501F
A60R2044	321-0232-00	B030000	B043114	RES,FXD,FILM:2.55K OHM,1%,0.125W,TC=TO	19701	5043ED2K550F
A60R2044	321-0277-00	B043115		RES,FXD,FILM:7.50K OHM,1%,0.125W,TC=TO	24546	NA55D7501F
A60R2045	315-0102-00	B030000	B043114	RES,FXD,FILM:1K OHM,5%,0.25W	57668	NTR25JE01K0

Replaceable Electrical Parts
492/492P Service Vol. 2 (B030000 & Up)

Component No.	Tektronix Part No.	Serial/Assembly No. Effective	Discnt	Name & Description	Mfr. Code	Mfr. Part No.
A60R2045	321-0232-00	B043115		RES,FXD,FILM:2.55K OHM,1%,0.125W,TC=TO	19701	5043ED2K550F
A60R2046	321-0277-00	B030000	B043114	RES,FXD,FILM:7.50K OHM,1%,0.125W,TC=TO	24546	NA55D7501F
A60R2046	321-0232-00	B043115		RES,FXD,FILM:2.55K OHM,1%,0.125W,TC=TO	19701	5043ED2K550F
A60R2047	321-0232-00	B030000	B043114	RES,FXD,FILM:2.55K OHM,1%,0.125W,TC=TO	19701	5043ED2K550F
A60R2047	315-0102-00	B043115		RES,FXD,FILM:1K OHM,5%,0.25W	57668	NTR25JE01K0
A60R2048	315-0103-00			RES,FXD,FILM:10K OHM,5%,0.25W	19701	5043CX10K00J
A60R2049	321-0412-00	B043115		RES,FXD,FILM:191K OHM,1%,0.125W,TC=TO	07716	CEAD19102F
A60R3012	307-0446-00	B030000	B043114	RES NTWK,FXD,FI:10K OHM,20%,(9)RES	11236	750-101-R10K
A60R3024	315-0152-00	B030000	B043114	RES,FXD,FILM:1.5K OHM,5%,0.25W	57668	NTR25J-E01K5
A60R3026	307-0446-00	B030000	B043114	RES NTWK,FXD,FI:10K OHM,20%,(9)RES	11236	750-101-R10K
A60R3041	311-1915-00	B030000	B043114	RES,VAR,NONNW:TRMR,20K OHM,10%,0.5 W	32997	3386C-T07-203
A60U1012	156-0480-02			MICROCKT,DGTL:QUAD 2-INP & GATE,SCRN,	01295	SN74LS08NP3
A60U1014	156-0388-03			MICROCKT,DGTL:DUAL D FLIP-FLOP,SCRN	01295	SN74LS74ANP3
A60U1015	156-0480-02	B043115		MICROCKT,DGTL:QUAD 2-INP & GATE,SCRN,	01295	SN74LS08NP3
A60U1016	156-0852-02	B030000	B043114	MICROCKT,DGTL:LSTTL,HEX BUS DRIVER	01295	SN74LS367NP3
A60U1016	156-0852-02	B043115		MICROCKT,DGTL:LSTTL,HEX BUS DRIVER	01295	SN74LS367NP3
A60U1018	156-0391-02	B030000	B043114	MICROCKT,DGTL:HEX LATCH W/CLEAR,SCRN	01295	SN74LS174NP3
A60U1022	156-0852-02	B030000	B043114	MICROCKT,DGTL:LSTTL,HEX BUS DRIVER	01295	SN74LS367NP3
A60U1022	156-0391-02	B043115		MICROCKT,DGTL:HEX LATCH W/CLEAR,SCRN	01295	SN74LS174NP3
A60U1023	156-0852-02	B043115		MICROCKT,DGTL:LSTTL,HEX BUS DRIVER	01295	SN74LS367NP3
A60U1024	156-0391-02	B030000	B043114	MICROCKT,DGTL:HEX LATCH W/CLEAR,SCRN	01295	SN74LS174NP3
A60U1024	156-0388-03	B043115		MICROCKT,DGTL:DUAL D FLIP-FLOP,SCRN	01295	SN74LS74ANP3
A60U1026	156-0987-00	B030000	B043114	MICROCKT,DGTL:4096 X 1 STATIC R/W RAM	34335	AM9140BDC
A60U1026	156-0987-00	B043115		MICROCKT,DGTL:4096 X 1 STATIC R/W RAM	34335	AM9140BDC
A60U1027	156-0391-02	B043115		MICROCKT,DGTL:HEX LATCH W/CLEAR,SCRN	01295	SN74LS174NP3
A60U1032	156-0465-02	B030000	B043114	MICROCKT,DGTL:8-INP NAND GATE,SCRN	01295	SN74LS30NP3
A60U1033	156-0172-02	B043115	B055949	MICROCKT,DGTL:DUAL RETRIG MONOSTABLE MV	07263	74123PCQR
A60U1034	156-1320-00	B030000	B043114	MICROCKT,DGTL:CMOS,8-INP OR NOR GATE	02735	CD4078BFX
A60U1035	156-0465-02	B043115		MICROCKT,DGTL:8-INP NAND GATE,SCRN	01295	SN74LS30NP3
A60U1041	156-1320-00	B043115		MICROCKT,DGTL:CMOS,8-INP OR NOR GATE	02735	CD4078BFX
A60U1042	156-0927-02	B043115		MICROCKT,LINEAR:DIGITAL/ANALOG CONVERTER	80009	156-0927-02
A60U1045	156-1226-00	B043115		MICROCKT,LINEAR:DUAL COMPARATOR	18324	LM319F
A60U2012	156-0844-02	B030000	B043114	MICROCKT,DGTL:SYN 4 BIT CNTR,SCRN	01295	SN74LS161A(NP3)
A60U2014	156-0385-02	B030000	B043114	MICROCKT,DGTL:HEX INVERTER,SCRN	07263	74LS04PCQR
A60U2014	156-0844-02	B043115		MICROCKT,DGTL:SYN 4 BIT CNTR,SCRN	01295	SN74LS161A(NP3)
A60U2015	156-0385-02	B043115		MICROCKT,DGTL:HEX INVERTER,SCRN	07263	74LS04PCQR
A60U2016	156-0844-02	B030000	B043114	MICROCKT,DGTL:SYN 4 BIT CNTR,SCRN	01295	SN74LS161A(NP3)
A60U2016	156-0844-02	B043115		MICROCKT,DGTL:SYN 4 BIT CNTR,SCRN	01295	SN74LS161A(NP3)
A60U2017	156-0480-02	B043115		MICROCKT,DGTL:QUAD 2-INP & GATE,SCRN,	01295	SN74LS08NP3
A60U2018	156-0480-02	B030000	B043114	MICROCKT,DGTL:QUAD 2-INP & GATE,SCRN,	01295	SN74LS08NP3
A60U2022	156-0844-02	B030000	B043114	MICROCKT,DGTL:SYN 4 BIT CNTR,SCRN	01295	SN74LS161A(NP3)
A60U2023	156-0844-02	B043115		MICROCKT,DGTL:SYN 4 BIT CNTR,SCRN	01295	SN74LS161A(NP3)
A60U2024	156-0844-02	B043115		MICROCKT,DGTL:SYN 4 BIT CNTR,SCRN	01295	SN74LS161A(NP3)
A60U2025	156-0382-02	B043115	B043349	MICROCKT,DGTL:QUAD 2 INP NAND GATE BURN	18324	N74LS00NB
A60U2025	156-0384-02	B043350		MICROCKT,DGTL:QUAD 2-INP NAND GATE,SCRN	07263	74LS03PCQR
A60U2026	156-0987-00	B030000	B043114	MICROCKT,DGTL:4096 X 1 STATIC R/W RAM	34335	AM9140BDC
A60U2026	156-0987-00	B043115		MICROCKT,DGTL:4096 X 1 STATIC R/W RAM	34335	AM9140BDC
A60U2027	156-1220-01	B043115		MICROCKT,DGTL:HEX BUS DRIVER,SCREENED	01295	SN74LS365NP3
A60U2032	156-0158-00	B030000	B043114	MICROCKT,LINEAR:DUAL OPNL AMPL	04713	MC1458P1/MC1458U
A60U2034	156-0927-02	B030000	B043114	MICROCKT,LINEAR:DIGITAL/ANALOG CONVERTER	80009	156-0927-02
A60U2035	155-0158-00	B043115	B055949	MICROCKT,DGTL:DIGITAL STORAGE HORIZONTAL	80009	155-0158-00
A60U2035	156-2453-01	B055950		MICROCKT,DGTL:CMOS,ASIC,STD CELL,HORIZ DGTL STORAGE	80009	156-2453-01
A60U2036	156-0927-02	B030000	B043114	MICROCKT,LINEAR:DIGITAL/ANALOG CONVERTER	80009	156-0927-02
A60U2038	156-1226-00	B030000	B043114	MICROCKT,LINEAR:DUAL COMPARATOR	18324	LM319F
A60U2042	156-1126-01	B030000	B043114	MICROCKT,LINEAR:VOLTAGE COMPARATOR,SELECTED	01295	LM311JG4
A60U2042	156-0927-02	B043115		MICROCKT,LINEAR:DIGITAL/ANALOG CONVERTER	80009	156-0927-02
A60U2044	156-1272-00	B030000	B043114	MICROCKT,LINEAR:DUAL OPERATIONAL AMPLIFIER	80009	156-1272-00
A60U2046	156-1126-01	B043115		MICROCKT,LINEAR:VOLTAGE COMPARATOR,SELECTED	01295	LM311JG4

Replaceable Electrical Parts
492/492P Service Vol. 2 (B030000 & Up)

Component No.	Tektronix Part No.	Serial/Assembly No. Effective	Discont	Name & Description	Mfr. Code	Mfr. Part No.
A60U2047	156-1272-00	B043115		MICROCKT, LINEAR: DUAL OPERATIONAL AMPLIFIER	80009	156-1272-00
A60W2022	131-0566-00	B056033		BUS, CONDUCTOR: DUMMY RES, 0.094 OD X 0.225 L	24546	QMA 07
A61	670-5554-00	B030000	B042219	CIRCUIT BD ASSY: DIGITAL STORAGE (OPTION 02 ONLY)	80009	670-5554-00
A61	670-5554-01	B042220	B043114	CIRCUIT BD ASSY: DIGITAL STORAGE (OPTION 02 ONLY)	80009	670-5554-01
A61	670-5554-03	B043115	B056032	CIRCUIT BD ASSY: DIGITAL STORAGE (OPTION 02 ONLY)	80009	670-5554-03
A61	670-5554-04	B056033		CIRCUIT BD ASSY: DIGITAL STORAGE (OPTION 02 ONLY)	80009	670-5554-04
A61C1031	285-1062-00			CAP, FXD, PLASTIC: 0.005UF, 1%, 200V	19396	502F02PP460
A61C1032	283-0204-00			CAP, FXD, CER DI: 0.01UF, 20%, 50V	04222	SR155E103MAA
A61C1037	283-0622-00			CAP, FXD, MICA DI: 450PF, 1%, 300V	00853	D155F451F0
A61C1038	283-0622-00			CAP, FXD, MICA DI: 450PF, 1%, 300V	00853	D155F451F0
A61C1039	283-0221-00	B043115		CAP, FXD, CER DI: 0.47UF, 20%, 50V	04222	3430 050C 474M
A61C2020	283-0139-00	B043115	B056032	CAP, FXD, CER DI: 150PF, 20%, 50V	05397	C312C151M565CA
A61C2031	283-0346-00			CAP, FXD, CER DI: 0.47UF, +80-20%, 100V	20932	5034ES100RD474Z
A61C2032	290-0527-00			CAP, FXD, ELCTLT: 15UF, 20%, 20V	05397	T368B156M020AS
A61C2033	283-0204-00			CAP, FXD, CER DI: 0.01UF, 20%, 50V	04222	SR155E103MAA
A61C2034	290-0527-00			CAP, FXD, ELCTLT: 15UF, 20%, 20V	05397	T368B156M020AS
A61C2035	290-0527-00			CAP, FXD, ELCTLT: 15UF, 20%, 20V	05397	T368B156M020AS
A61C2036	290-0527-00			CAP, FXD, ELCTLT: 15UF, 20%, 20V	05397	T368B156M020AS
A61C2037	283-0346-00			CAP, FXD, CER DI: 0.47UF, +80-20%, 100V	20932	5034ES100RD474Z
A61L2032	108-0598-00	B030000	B043114	COIL, RF: FIXED, 200UH	80009	108-0598-00
A61L2032	108-0537-00	B043115		COIL, RF: FIXED, 200UH	80009	108-0537-00
A61L2033	108-0598-00	B030000	B043114	COIL, RF: FIXED, 200UH	80009	108-0598-00
A61L2033	108-0537-00	B043115		COIL, RF: FIXED, 200UH	80009	108-0537-00
A61L2034	108-0598-00	B030000	B043114	COIL, RF: FIXED, 200UH	80009	108-0598-00
A61L2034	108-0537-00	B043115		COIL, RF: FIXED, 200UH	80009	108-0537-00
A61L2035	108-0598-00	B030000	B043114	COIL, RF: FIXED, 200UH	80009	108-0598-00
A61L2035	108-0537-00	B043115		COIL, RF: FIXED, 200UH	80009	108-0537-00
A61Q2035	151-0302-00			TRANSISTOR: NPN, SI, TO-18	04713	ST899
A61R1011	315-0102-00			RES, FXD, FILM: 1K OHM, 5%, 0.25W	57668	NTR25JE01K0
A61R1015	307-0446-00			RES, NTWK, FXD, FI: 10K OHM, 20%, (9)RES	11236	750-101-R10K
A61R1024	311-1236-00			RES, VAR, NONNW: TRMR, 250 OHM, 0.5W	32997	3386X-T07-251
A61R1026	321-0395-00			RES, FXD, FILM: 127K OHM, 1%, 0.125W, TC=TO	07716	CEAD12702F
A61R1029	315-0105-00			RES, FXD, FILM: 1M OHM, 5%, 0.25W	19701	5043CX10K00J
A61R1030	311-1198-00			RES, VAR, NONNW: TRMR, 20K OHM, 0.5W	32997	3386X-T07-203
A61R1031	321-0188-00			RES, FXD, FILM: 887 OHM, 1%, 0.125W, TC=TO	07716	CEAD887R0F
A61R1032	321-0218-00			RES, FXD, FILM: 1.82K OHM, 1%, 0.125W, TC=TO	19701	5033ED1K82F
A61R1033	321-0360-00			RES, FXD, FILM: 54.9K OHM, 1%, 0.125W, TC=TO	19701	5033ED54K90F
A61R1034	311-1236-00			RES, VAR, NONNW: TRMR, 250 OHM, 0.5W	32997	3386X-T07-251
A61R1035	321-0267-00			RES, FXD, FILM: 5.90K OHM, 1%, 0.125W, TC=TO	19701	5033ED5K900F
A61R1036	311-1198-00			RES, VAR, NONNW: TRMR, 20K OHM, 0.5W	32997	3386X-T07-203
A61R1037	315-0102-00			RES, FXD, FILM: 1K OHM, 5%, 0.25W	57668	NTR25JE01K0
A61R1038	315-0102-00			RES, FXD, FILM: 1K OHM, 5%, 0.25W	57668	NTR25JE01K0
A61R1039	321-0395-00			RES, FXD, FILM: 127K OHM, 1%, 0.125W, TC=TO	07716	CEAD12702F
A61R2016	307-0446-00			RES, NTWK, FXD, FI: 10K OHM, 20%, (9)RES	11236	750-101-R10K
A61R2020	321-0260-00	B043115	B056032	RES, FXD, FILM: 4.99K OHM, 1%, 0.125W, TC=TO	19701	5033ED4K990F
A61R2025	317-0153-00	B030000	B056032	RES, FXD, CMPSN: 15K OHM, 5%, 0.125W	01121	BB1535
A61R2031	321-0188-00			RES, FXD, FILM: 887 OHM, 1%, 0.125W, TC=TO	07716	CEAD887R0F
A61R2032	321-0201-00			RES, FXD, FILM: 1.21K OHM, 1%, 0.125W, TC=TO	19701	5043ED1K210F
A61R2033	321-0364-00			RES, FXD, FILM: 60.4K OHM, 1%, 0.125W, TC=TO	19701	5043ED60K40F
A61R2034	321-0222-00			RES, FXD, FILM: 2.00K OHM, 1%, 0.125W, TC=TO	19701	5033ED2K00F
A61R2035	315-0103-00			RES, FXD, FILM: 10K OHM, 5%, 0.25W	19701	5043CX10K00J
A61R2036	321-0402-00			RES, FXD, FILM: 150K OHM, 1%, 0.125W, TC=TO	19701	5033ED150K0F
A61R2037	321-0327-00			RES, FXD, FILM: 24.9K OHM, 1%, 0.125W, TC=TO	07716	CEAD24901F
A61R2038	315-0103-00			RES, FXD, FILM: 10K OHM, 5%, 0.25W	19701	5043CX10K00J
A61R2039	321-0385-00			RES, FXD, FILM: 100K OHM, 1%, 0.125W, TC=TO	19701	5033ED100K0F

Replaceable Electrical Parts
492/492P Service Vol. 2 (B030000 & Up)

Component No.	Tektronix Part No.	Serial/Assembly No. Effective	Discont	Name & Description	Mfr. Code	Mfr. Part No.
A61S1014	260-1721-00			SWITCH,ROCKER:8,SPST,125MA,30VDC	81073	76SB08S
A61U1011	156-0388-03			MICROCKT,DGTL:DUAL D FLIP-FLOP,SCRN	01295	SN74LS74ANP3
A61U1012	156-0382-02			MICROCKT,DGTL:QUAD 2 INP NAND GATE BURN	18324	N74LS00NB
A61U1013	156-0383-02			MICROCKT,DGTL:QUAD 2-INP NOR GATE,SCRN,	18324	N74LS02NB
A61U1015	156-0994-02			MICROCKT,DGTL:8 INPUT DATA SEL/MUX,SCRN	01295	SN74LS151NP3
A61U1016	156-0392-03			MICROCKT,DGTL:QUAD LATCH W/CLEAR,SCRN,	07263	74LS175PCQR
A61U1017	156-0388-03	B042220		MICROCKT,DGTL:DUAL D FLIP-FLOP,SCRN	01295	SN74LS74ANP3
A61U1020	156-0330-02	B043115		MICROCKT,DGTL:HEX BUFFER,SCREENED	02735	CD4050BFX
A61U1021	156-0865-02			MICROCKT,DGTL:OCTAL D FF W/CLEAR,SCRN	01295	SN74LS273NP3
A61U1022	156-0865-02			MICROCKT,DGTL:OCTAL D FF W/CLEAR,SCRN	01295	SN74LS273NP3
A61U1023	155-0157-00	B030000	B056032	MICROCKT,DGTL:DIGITAL STORAGE VERTICAL	80009	155-0157-00
A61U1023	156-2454-00	B056033		MICROCKT,DGTL:CMOS,GATE ARRAY	TK1881	3H-2185-AA
A61U1024	156-1255-00			MICROCKT,LINEAR:D/A CONVERTER,8 BIT	06665	DAC08-157Q
A61U1025	156-0382-02			MICROCKT,DGTL:QUAD 2 INP NAND GATE BURN	18324	N74LS00NB
A61U1031	156-1226-00			MICROCKT,LINEAR:DUAL COMPARATOR	18324	LM319F
A61U1032	156-0742-02			MICROCKT,LINEAR:OPNL AMPL,SELECTED	27014	LM318N/A+
A61U1033	156-1211-00			MICROCKT,INTFC:QUAD SPST SWITCH,2NC,2NO	27014	LF13333N
A61U1034	156-0742-02			MICROCKT,LINEAR:OPNL AMPL,SELECTED	27014	LM318N/A+
A61U2011	156-0480-02			MICROCKT,DGTL:QUAD 2-INP & GATE,SCRN,	01295	SN74LS08NP3
A61U2012	156-0718-03			MICROCKT,DGTL:TRIPLE 3-INP NOR GATE,SCRN	01295	SN74LS27NP3
A61U2013	156-0385-02			MICROCKT,DGTL:HEX INVERTER,SCRN	07263	74LS04PCQR
A61U2014	156-0388-03			MICROCKT,DGTL:DUAL D FLIP-FLOP,SCRN	01295	SN74LS74ANP3
A61U2015	156-0382-02			MICROCKT,DGTL:QUAD 2 INP NAND GATE BURN	18324	N74LS00NB
A61U2016	156-0994-02			MICROCKT,DGTL:8 INPUT DATA SEL/MUX,SCRN	01295	SN74LS151NP3
A61U2020	156-0172-02	B043115	B056032	MICROCKT,DGTL:DUAL RETRIG MONOSTABLE MV	07263	74123PCQR
A61U2021	156-0975-02			MICROCKT,DGTL:UNIV SHIFT/STORAGE REGISTER	34335	DM74LS299N-B
A61U2022	156-0469-02			MICROCKT,DGTL:3/8 LINE DCDR,SCRN	01295	SN74LS138NP3
A61U2023	156-0385-02			MICROCKT,DGTL:HEX INVERTER,SCRN	07263	74LS04PCQR
A61U2024	156-1255-00			MICROCKT,LINEAR:D/A CONVERTER,8 BIT	06665	DAC08-157Q
A61U2032	156-0742-02			MICROCKT,LINEAR:OPNL AMPL,SELECTED	27014	LM318N/A+
A61U2033	156-0742-02			MICROCKT,LINEAR:OPNL AMPL,SELECTED	27014	LM318N/A+
A61U2034	156-0067-12			MICROCKT,LINEAR:OPERATIONAL AMPLIFIER	01295	UA741CJG
A62	670-5548-01	B030000	B043379	CIRCUIT BD ASSY:LOG AMPL	80009	670-5548-01
A62	670-5548-03	B043380	B055876	CIRCUIT BD ASSY:LOG AMP	80009	670-5548-03
A62	670-5548-04	B055877		CIRCUIT BD ASSY:LOG AMP	80009	670-5548-04
A62C1018	283-0191-00			CAP,FXD,CER DI:0.022UF,20%,50V	04222	SR205C223MAA
A62C1019	283-0191-00			CAP,FXD,CER DI:0.022UF,20%,50V	04222	SR205C223MAA
A62C1031	283-0191-00			CAP,FXD,CER DI:0.022UF,20%,50V	04222	SR205C223MAA
A62C1033	283-0191-00			CAP,FXD,CER DI:0.022UF,20%,50V	04222	SR205C223MAA
A62C1041	283-0191-00			CAP,FXD,CER DI:0.022UF,20%,50V	04222	SR205C223MAA
A62C1043	283-0191-00			CAP,FXD,CER DI:0.022UF,20%,50V	04222	SR205C223MAA
A62C1051	283-0111-00			CAP,FXD,CER DI:0.1UF,20%,50V	05397	C330C104M5U1CA
A62C1061	283-0191-00			CAP,FXD,CER DI:0.022UF,20%,50V	04222	SR205C223MAA
A62C1062	283-0191-00			CAP,FXD,CER DI:0.022UF,20%,50V	04222	SR205C223MAA
A62C1063	283-0191-00			CAP,FXD,CER DI:0.022UF,20%,50V	04222	SR205C223MAA
A62C1069	283-0111-00			CAP,FXD,CER DI:0.1UF,20%,50V	05397	C330C104M5U1CA
A62C1071	283-0191-00			CAP,FXD,CER DI:0.022UF,20%,50V	04222	SR205C223MAA
A62C1072	283-0191-00			CAP,FXD,CER DI:0.022UF,20%,50V	04222	SR205C223MAA
A62C1073	283-0191-00			CAP,FXD,CER DI:0.022UF,20%,50V	04222	SR205C223MAA
A62C1086	283-0191-00			CAP,FXD,CER DI:0.022UF,20%,50V	04222	SR205C223MAA
A62C1088	283-0191-00			CAP,FXD,CER DI:0.022UF,20%,50V	04222	SR205C223MAA
A62C1089	283-0191-00			CAP,FXD,CER DI:0.022UF,20%,50V	04222	SR205C223MAA
A62C1108	283-0191-00			CAP,FXD,CER DI:0.022UF,20%,50V	04222	SR205C223MAA
A62C2031	283-0191-00			CAP,FXD,CER DI:0.022UF,20%,50V	04222	SR205C223MAA
A62C2033	283-0191-00			CAP,FXD,CER DI:0.022UF,20%,50V	04222	SR205C223MAA
A62C2043	283-0191-00			CAP,FXD,CER DI:0.022UF,20%,50V	04222	SR205C223MAA
A62C2049	283-0191-00			CAP,FXD,CER DI:0.022UF,20%,50V	04222	SR205C223MAA
A62C2052	283-0111-00			CAP,FXD,CER DI:0.1UF,20%,50V	05397	C330C104M5U1CA

Component No.	Tektronix Part No.	Serial/Assembly No.		Name & Description	Mfr. Code	Mfr. Part No.
		Effective	Dscnt			
A62C2054	283-0191-00			CAP, FXD, CER DI: 0.022UF, 20%, 50V	04222	SR205C223MAA
A62C2062	283-0111-00			CAP, FXD, CER DI: 0.1UF, 20%, 50V	05397	C330C104M5U1CA
A62C2085	283-0191-00			CAP, FXD, CER DI: 0.022UF, 20%, 50V	04222	SR205C223MAA
A62C2098	283-0191-00			CAP, FXD, CER DI: 0.022UF, 20%, 50V	04222	SR205C223MAA
A62C2099	283-0191-00			CAP, FXD, CER DI: 0.022UF, 20%, 50V	04222	SR205C223MAA
A62C2105	283-0191-00			CAP, FXD, CER DI: 0.022UF, 20%, 50V	04222	SR205C223MAA
A62C3011	283-0111-00			CAP, FXD, CER DI: 0.1UF, 20%, 50V	05397	C330C104M5U1CA
A62C3025	283-0191-00			CAP, FXD, CER DI: 0.022UF, 20%, 50V	04222	SR205C223MAA
A62C3035	283-0191-00			CAP, FXD, CER DI: 0.022UF, 20%, 50V	04222	SR205C223MAA
A62C3041	283-0111-00			CAP, FXD, CER DI: 0.1UF, 20%, 50V	05397	C330C104M5U1CA
A62C3049	283-0111-00			CAP, FXD, CER DI: 0.1UF, 20%, 50V	05397	C330C104M5U1CA
A62C3069	283-0191-00			CAP, FXD, CER DI: 0.022UF, 20%, 50V	04222	SR205C223MAA
A62C3071	283-0111-00			CAP, FXD, CER DI: 0.1UF, 20%, 50V	05397	C330C104M5U1CA
A62C3082	283-0191-00			CAP, FXD, CER DI: 0.022UF, 20%, 50V	04222	SR205C223MAA
A62C3098	283-0191-00			CAP, FXD, CER DI: 0.022UF, 20%, 50V	04222	SR205C223MAA
A62C3099	283-0191-00			CAP, FXD, CER DI: 0.022UF, 20%, 50V	04222	SR205C223MAA
A62C3100	283-0191-00			CAP, FXD, CER DI: 0.022UF, 20%, 50V	04222	SR205C223MAA
A62C3102	283-0191-00			CAP, FXD, CER DI: 0.022UF, 20%, 50V	04222	SR205C223MAA
A62C3105	283-0191-00			CAP, FXD, CER DI: 0.022UF, 20%, 50V	04222	SR205C223MAA
A62C3111	283-0191-00			CAP, FXD, CER DI: 0.022UF, 20%, 50V	04222	SR205C223MAA
A62C4011	283-0191-00			CAP, FXD, CER DI: 0.022UF, 20%, 50V	04222	SR205C223MAA
A62C4016	283-0191-00			CAP, FXD, CER DI: 0.022UF, 20%, 50V	04222	SR205C223MAA
A62C4027	283-0201-00			CAP, FXD, CER DI: 27PF, 10%, 200V	05397	C312C270K2G5CA
A62C4029	283-0177-00			CAP, FXD, CER DI: 1UF, +80-20%, 25V	04222	SR302E105ZAATR
A62C4039	283-0191-00			CAP, FXD, CER DI: 0.022UF, 20%, 50V	04222	SR205C223MAA
A62C4041	283-0191-00			CAP, FXD, CER DI: 0.022UF, 20%, 50V	04222	SR205C223MAA
A62C4044	283-0191-00			CAP, FXD, CER DI: 0.022UF, 20%, 50V	04222	SR205C223MAA
A62C4045	283-0177-00			CAP, FXD, CER DI: 1UF, +80-20%, 25V	04222	SR302E105ZAATR
A62C4082	283-0140-00			CAP, FXD, CER DI: 4.7PF, +/-0.25PF, 50V	72982	8101E003A479C
A62C4108	290-0574-00			CAP, FXD, ELCTLT: 47UF, 10%, 20V	05397	T368C476K0202AS
A62C5014	283-0191-00			CAP, FXD, CER DI: 0.022UF, 20%, 50V	04222	SR205C223MAA
A62C5024	283-0111-00			CAP, FXD, CER DI: 0.1UF, 20%, 50V	05397	C330C104M5U1CA
A62C5029	283-0177-00			CAP, FXD, CER DI: 1UF, +80-20%, 25V	04222	SR302E105ZAATR
A62C5035	283-0000-00			CAP, FXD, CER DI: 0.001UF, +100-0%, 500V	59660	831-610-Y5U0102P
A62C5039	283-0000-00			CAP, FXD, CER DI: 0.001UF, +100-0%, 500V	59660	831-610-Y5U0102P
A62C5101	283-0157-00			CAP, FXD, CER DI: 7PF, 5%, 50V	05397	C315C709D5G5CA
A62C5102	283-0181-00			CAP, FXD, CER DI: 1.8PF, +/-0.1%, 100V	51642	100 100NP0189B
A62C6021	283-0648-00			CAP, FXD, MICA DI: 10PF, 5%, 500V	00853	D155C100D0
A62C6023	283-0204-00			CAP, FXD, CER DI: 0.01UF, 20%, 50V	04222	SR155E103MAA
A62C6033	290-0574-00			CAP, FXD, ELCTLT: 47UF, 10%, 20V	05397	T368C476K0202AS
A62C7011	283-0639-00			CAP, FXD, MICA DI: 56PF, 1%, 100V	00853	D155E560F0
A62C7014	283-0641-00			CAP, FXD, MICA DI: 180PF, 1%, 100V	00853	D155F181F0
A62C7021	283-0599-00			CAP, FXD, MICA DI: 98PF, 5%, 500V	00853	D105F980J0
A62C7024	283-0728-00			CAP, FXD, MICA DI: 120PF, 1%, 500V	00853	D155F121F0
A62C7032	290-0574-00			CAP, FXD, ELCTLT: 47UF, 10%, 20V	05397	T368C476K0202AS
A62C7033	290-0574-00			CAP, FXD, ELCTLT: 47UF, 10%, 20V	05397	T368C476K0202AS
A62C7073	283-0203-00			CAP, FXD, CER DI: 0.47UF, 20%, 50V	04222	SR305SC474MAA
A62C7081	283-0160-00			CAP, FXD, CER DI: 1.5PF, +/-0.1PF, 50V	51642	100050NP0159B
A62C7102	283-0111-00			CAP, FXD, CER DI: 0.1UF, 20%, 50V	05397	C330C104M5U1CA
A62C7103	283-0339-00			CAP, FXD, CER DI: 0.22UF, 10%, 50V	05397	C330C224K5R5CA
A62C7104	283-0114-00			CAP, FXD, CER DI: 1500PF, 5%, 200V	59660	805-534-Y5D0152J
A62CR1061	152-0322-00			SEMICON DVC, DI: SCHOTTKY, SI, 15V, DO-35	50434	5082-2672
A62CR1062	152-0322-00			SEMICON DVC, DI: SCHOTTKY, SI, 15V, DO-35	50434	5082-2672
A62CR1076	152-0322-00			SEMICON DVC, DI: SCHOTTKY, SI, 15V, DO-35	50434	5082-2672
A62CR1077	152-0322-00			SEMICON DVC, DI: SCHOTTKY, SI, 15V, DO-35	50434	5082-2672
A62CR2014	152-0322-00			SEMICON DVC, DI: SCHOTTKY, SI, 15V, DO-35	50434	5082-2672
A62CR2015	152-0322-00			SEMICON DVC, DI: SCHOTTKY, SI, 15V, DO-35	50434	5082-2672
A62CR2031	152-0322-00			SEMICON DVC, DI: SCHOTTKY, SI, 15V, DO-35	50434	5082-2672

Replaceable Electrical Parts
492/492P Service Vol. 2 (B030000 & Up)

Component No.	Tektronix Part No.	Serial/Assembly No. Effective Discnt	Name & Description	Mfr. Code	Mfr. Part No.
A62CR2032	152-0322-00		SEMICON DVC,DI: SCHOTTKY,SI,15V,DO-35	50434	5082-2672
A62CR2044	152-0322-00		SEMICON DVC,DI: SCHOTTKY,SI,15V,DO-35	50434	5082-2672
A62CR2045	152-0322-00		SEMICON DVC,DI: SCHOTTKY,SI,15V,DO-35	50434	5082-2672
A62CR2065	152-0322-00		SEMICON DVC,DI: SCHOTTKY,SI,15V,DO-35	50434	5082-2672
A62CR2066	152-0322-00		SEMICON DVC,DI: SCHOTTKY,SI,15V,DO-35	50434	5082-2672
A62CR2075	152-0322-00		SEMICON DVC,DI: SCHOTTKY,SI,15V,DO-35	50434	5082-2672
A62CR2076	152-0322-00		SEMICON DVC,DI: SCHOTTKY,SI,15V,DO-35	50434	5082-2672
A62CR2087	152-0322-00		SEMICON DVC,DI: SCHOTTKY,SI,15V,DO-35	50434	5082-2672
A62CR2088	152-0322-00		SEMICON DVC,DI: SCHOTTKY,SI,15V,DO-35	50434	5082-2672
A62CR2089	152-0322-00		SEMICON DVC,DI: SCHOTTKY,SI,15V,DO-35	50434	5082-2672
A62CR3089	152-0322-00		SEMICON DVC,DI: SCHOTTKY,SI,15V,DO-35	50434	5082-2672
A62CR4012	152-0322-00		SEMICON DVC,DI: SCHOTTKY,SI,15V,DO-35	50434	5082-2672
A62CR4015	152-0322-00		SEMICON DVC,DI: SCHOTTKY,SI,15V,DO-35	50434	5082-2672
A62CR5027	152-0322-00		SEMICON DVC,DI: SCHOTTKY,SI,15V,DO-35	50434	5082-2672
A62CR5033	152-0322-00		SEMICON DVC,DI: SCHOTTKY,SI,15V,DO-35	50434	5082-2672
A62CR5081	152-0141-02		SEMICON DVC,DI: SW,SI,30V,150MA,30V,DO-35	03508	DA2527 (1N4152)
A62CR5101	152-0141-02		SEMICON DVC,DI: SW,SI,30V,150MA,30V,DO-35	03508	DA2527 (1N4152)
A62CR6104	152-0322-00		SEMICON DVC,DI: SCHOTTKY,SI,15V,DO-35	50434	5082-2672
A62CR7095	152-0141-02		SEMICON DVC,DI: SW,SI,30V,150MA,30V,DO-35	03508	DA2527 (1N4152)
A62CR7101	152-0141-02		SEMICON DVC,DI: SW,SI,30V,150MA,30V,DO-35	03508	DA2527 (1N4152)
A62L1051	108-0395-00		COIL,RF: FIXED,64UH	80009	108-0395-00
A62L2011	108-0395-00		COIL,RF: FIXED,64UH	80009	108-0395-00
A62L2015	108-0443-00		COIL,RF: FIXED,23.5UH	80009	108-0443-00
A62L2025	108-0443-00		COIL,RF: FIXED,23.5UH	80009	108-0443-00
A62L2041	108-0443-00		COIL,RF: FIXED,23.5UH	80009	108-0443-00
A62L2052	108-0395-00		COIL,RF: FIXED,64UH	80009	108-0395-00
A62L2055	108-0443-00		COIL,RF: FIXED,23.5UH	80009	108-0443-00
A62L2071	108-0443-00		COIL,RF: FIXED,23.5UH	80009	108-0443-00
A62L2085	108-0443-00		COIL,RF: FIXED,23.5UH	80009	108-0443-00
A62L3041	108-0395-00		COIL,RF: FIXED,64UH	80009	108-0395-00
A62L3061	108-0395-00		COIL,RF: FIXED,64UH	80009	108-0395-00
A62L6011	108-0702-00		COIL,RF: FIXED,36UH	80009	108-0702-00
A62L8021	108-0443-00		COIL,RF: FIXED,23.5UH	80009	108-0443-00
A62Q1025	151-0192-00		TRANSISTOR: SELECTED	04713	SPS8801
A62Q1035	151-0192-00		TRANSISTOR: SELECTED	04713	SPS8801
A62Q1050	151-0192-00		TRANSISTOR: SELECTED	04713	SPS8801
A62Q1070	151-0192-00		TRANSISTOR: SELECTED	04713	SPS8801
A62Q1080	151-0192-00		TRANSISTOR: SELECTED	04713	SPS8801
A62Q1095	151-0192-00		TRANSISTOR: SELECTED	04713	SPS8801
A62Q2105	151-0192-00		TRANSISTOR: SELECTED	04713	SPS8801
A62Q3015	151-0192-00		TRANSISTOR: SELECTED	04713	SPS8801
A62Q3030	151-0192-00		TRANSISTOR: SELECTED	04713	SPS8801
A62Q3045	151-0192-00		TRANSISTOR: SELECTED	04713	SPS8801
A62Q3055	151-0192-00		TRANSISTOR: SELECTED	04713	SPS8801
A62Q3075	151-0192-00		TRANSISTOR: SELECTED	04713	SPS8801
A62Q3090	151-0192-00		TRANSISTOR: SELECTED	04713	SPS8801
A62Q3100	151-0192-00		TRANSISTOR: SELECTED	04713	SPS8801
A62Q3105	151-0192-00		TRANSISTOR: SELECTED	04713	SPS8801
A62Q4025	151-0333-00		TRANSISTOR: SELECTED	04713	SPS1752
A62Q4030	151-0221-00		TRANSISTOR: PNP,SI,TO-92	80009	151-0221-00
A62Q4035	151-0221-00		TRANSISTOR: PNP,SI,TO-92	80009	151-0221-00
A62Q4070	151-1059-00		TRANSISTOR: FET,N-CHAN,TO-106	04713	ORDER BY DESC
A62Q4075	151-1059-00		TRANSISTOR: FET,N-CHAN,TO-106	04713	ORDER BY DESC
A62Q4100	151-0192-00		TRANSISTOR: SELECTED	04713	SPS8801
A62Q5070	151-1059-00		TRANSISTOR: FET,N-CHAN,TO-106	04713	ORDER BY DESC
A62Q5075	151-1059-00		TRANSISTOR: FET,N-CHAN,TO-106	04713	ORDER BY DESC
A62Q5090	151-1059-00		TRANSISTOR: FET,N-CHAN,TO-106	04713	ORDER BY DESC
A62Q5095	151-1059-00		TRANSISTOR: FET,N-CHAN,TO-106	04713	ORDER BY DESC

Component No.	Tektronix Part No.	Serial/Assembly No. Effective	Discont	Name & Description	Mfr. Code	Mfr. Part No.
A62Q6010	151-0192-00			TRANSISTOR:SELECTED	04713	SPS8801
A62Q6090	151-0221-00			TRANSISTOR:PNP,SI,TO-92	80009	151-0221-00
A62Q6095	151-0221-00			TRANSISTOR:PNP,SI,TO-92	80009	151-0221-00
A62Q6110	151-0221-00			TRANSISTOR:PNP,SI,TO-92	80009	151-0221-00
A62Q6115	151-0221-00			TRANSISTOR:PNP,SI,TO-92	80009	151-0221-00
A62Q7110	151-1059-00			TRANSISTOR:FET,N-CHAN,TO-106	04713	ORDER BY DESCR
A62R1011	321-0155-00	B043380		RES,FXD,FILM:402 OHM,1%,0.125W,TC=TO	07716	CEAD402R0F
A62R1023	321-0258-00	B030000	B043379	RES,FXD,FILM:4.75K OHM,1%,0.125W,TC=TO	19701	5033ED4K750F
A62R1035	321-0111-00			RES,FXD,FILM:140 OHM,1%,0.125W,TC=TO	07716	CEAD140R0F
A62R1045	321-0111-00			RES,FXD,FILM:140 OHM,1%,0.125W,TC=TO	07716	CEAD140R0F
A62R1056	321-0091-00	B030000	B043379	RES,FXD,FILM:86.6 OHM,1%,0.125W,TC=TO	91637	CMF55116G86R60F
A62R1056	321-0079-00	B043380		RES,FXD,FILM:64.9 OHM,1%,0.125W,TC=TO	91637	CMF55116G64R90F
A62R1065	321-0325-00	B043380		RES,FXD,FILM:23.7K OHM,1%,0.125W,TC=TO	07716	CEAD23701F
A62R1076	321-0076-00	B030000	B043379	RES,FXD,FILM:60.4 OHM,1%,0.125W,TC=TO	91637	CMF55116G0R40F
A62R1076	321-0065-00	B043380		RES,FXD,FILM:46.4 OHM,1%,0.125W,TC=TO	57668	RB14FXE 46E4
A62R1080	321-0325-00	B043380		RES,FXD,FILM:23.7K OHM,1%,0.125W,TC=TO	07716	CEAD23701F
A62R1084	321-0323-00	B030000	B043379	RES,FXD,FILM:22.6K OHM,1%,0.125W,TC=TO	07716	CEAD22601F
A62R1084	321-0325-00	B043380		RES,FXD,FILM:23.7K OHM,1%,0.125W,TC=TO	07716	CEAD23701F
A62R1085	311-1277-00			RES,VAR,NONNW:TRMR,100 OHM,0.5W	32997	3329S-L58-101
A62R1086	321-0120-00	B030000	B043379	RES,FXD,FILM:174 OHM,1%,0.125W,TC=TO	07716	CEAD174R0F
A62R1086	321-0126-00	B043380		RES,FXD,FILM:200 OHM,1%,0.125W,TC=TO	19701	5033ED200R0F
A62R1090	321-0325-00	B043380		RES,FXD,FILM:23.7K OHM,1%,0.125W,TC=TO	07716	CEAD23701F
A62R1101	315-0470-00			RES,FXD,FILM:47 OHM,5%,0.25W	57668	NTR25J-E47E0
A62R1111	321-0068-00			RES,FXD,FILM:49.9 OHM,0.5%,0.125W,TC=TO	91637	CMF55116G49R90F
A62R2013	321-0226-00	B030000	B043379	RES,FXD,FILM:2.21K OHM,1%,0.125W,TC=TO	01121	RNK2211F
A62R2065	321-0276-00			RES,FXD,FILM:7.32K OHM,1%,0.125W,TC=TO	19701	5043ED7K320F
A62R2066	321-0234-00			RES,FXD,FILM:2.67K OHM,1%,0.125W,TC=TO	19701	5033ED2K67F
A62R2076	321-0254-00	B030000	B043379	RES,FXD,FILM:4.32K OHM,1%,0.125W,TC=TO	07716	CEAD43200F
A62R2076	321-0253-00	B043380		RES,FXD,FILM:4.22K OHM,1%,0.125W,TC=TO	19701	5033ED 4K 220F
A62R2078	321-0292-00	B030000	B043379	RES,FXD,FILM:10.7K OHM,1%,0.125W,TC=TO	07716	CEAD10701F
A62R2078	321-0291-00	B043380		RES,FXD,FILM:10.5K OHM,1%,0.125W,TC=TO	19701	5033ED10K50F
A62R2100	321-0187-00			RES,FXD,FILM:866 OHM,1%,0.125W,TC=TO	07716	CEAD866R0F
A62R2101	321-0271-00			RES,FXD,FILM:6.49K OHM,1%,0.125W,TC=TO	07716	CEAD64900F
A62R2111	315-0680-00			RES,FXD,FILM:68 OHM,5%,0.25W	57668	NTR25J-E68E0
A62R3020	307-0610-00			RES NTWK,FXD,FI:LOG AMP RES PACK	80009	307-0610-00
A62R3023	321-0111-00			RES,FXD,FILM:140 OHM,1%,0.125W,TC=TO	07716	CEAD140R0F
A62R3035	307-0610-00			RES NTWK,FXD,FI:LOG AMP RES PACK	80009	307-0610-00
A62R3050	307-0610-00			RES NTWK,FXD,FI:LOG AMP RES PACK	80009	307-0610-00
A62R3065	307-0610-00			RES NTWK,FXD,FI:LOG AMP RES PACK	80009	307-0610-00
A62R3080	307-0610-00			RES NTWK,FXD,FI:LOG AMP RES PACK	80009	307-0610-00
A62R3082	321-0292-00	B030000	B043379	RES,FXD,FILM:10.7K OHM,1%,0.125W,TC=TO	07716	CEAD10701F
A62R3082	321-0294-00	B043380		RES,FXD,FILM:11.3K OHM,1%,0.125W,TC=TO	19701	5043ED11K30F
A62R3092	315-0302-00			RES,FXD,FILM:3K OHM,5%,0.25W	57668	NTR25J-E03K0
A62R3095	307-0610-00			RES NTWK,FXD,FI:LOG AMP RES PACK	80009	307-0610-00
A62R3099	315-0471-00			RES,FXD,FILM:470 OHM,5%,0.25W	57668	NTR25J-E470E
A62R3101	321-0187-00			RES,FXD,FILM:866 OHM,1%,0.125W,TC=TO	07716	CEAD866R0F
A62R3102	321-0087-00	B030000	B043379	RES,FXD,FILM:78.7 OHM,1%,0.125W,TC=TO	91637	CMF55116G78R70F
A62R3102	321-0106-00	B043380		RES,FXD,FILM:124 OHM 1%,0.125W,TC=TO	07716	CEAD124R0F
A62R3105	321-0110-00	B030000	B043379	RES,FXD,FILM:137 OHM,1%,0.125W,TC=TO	07716	CEAD137R0F
A62R3105	321-0089-00	B043380		RES,FXD,FILM:82.5 OHM,1%,0.125W,TC=TO	91637	CMF55116G82R50F
A62R3109	315-0241-00			RES,FXD,FILM:240 OHM,5%,0.25W	19701	5043CX240R0J
A62R3110	315-0470-00			RES,FXD,FILM:47 OHM,5%,0.25W	57668	NTR25J-E47E0
A62R3111	315-0101-00			RES,FXD,FILM:100 OHM,5%,0.25W	57668	NTR25J-E 100E
A62R4010	307-0610-00			RES NTWK,FXD,FI:LOG AMP RES PACK	80009	307-0610-00
A62R4015	321-0111-00			RES,FXD,FILM:140 OHM,1%,0.125W,TC=TO	07716	CEAD140R0F
A62R4020	311-1279-00			RES,VAR,NONNW:TRMR,500 OHM,0.5W	32997	3329S-L58-501
A62R4025	315-0302-00			RES,FXD,FILM:3K OHM,5%,0.25W	57668	NTR25J-E03K0
A62R4026	315-0302-00			RES,FXD,FILM:3K OHM,5%,0.25W	57668	NTR25J-E03K0

Replaceable Electrical Parts
492/492P Service Vol. 2 (B030000 & Up)

Component No.	Tektronix Part No.	Serial/Assembly No. Effective	Dscont	Name & Description	Mfr. Code	Mfr. Part No.
A62R4027	315-0560-00			RES, FXD, FILM: 56 OHM, 5%, 0.25W	57668	NTR25J-E56E0
A62R4031	315-0751-00			RES, FXD, FILM: 750 OHM, 5%, 0.25W	57668	NTR25J-E750E
A62R4032	315-0910-00			RES, FXD, FILM: 91 OHM, 5%, 0.25W	19701	5043CX91R00J
A62R4034	315-0300-00			RES, FXD, FILM: 30 OHM, 5%, 0.25W	19701	5043CX30R00J
A62R4036	315-0300-00			RES, FXD, FILM: 30 OHM, 5%, 0.25W	19701	5043CX30R00J
A62R4038	321-0235-00			RES, FXD, FILM: 2.74K OHM, 1%, 0.125W, TC=TO	07716	CEAD27400F
A62R4039	321-0223-00			RES, FXD, FILM: 2.05K OHM, 1%, 0.125W, TC=TO	19701	5033ED2K05F
A62R4045	323-0126-00			RES, FXD, FILM: 200 OHM, 1%, 0.5W, TC=TO	75042	CECT0-2000F
A62R4046	301-0102-00			RES, FXD, FILM: 1K OHM, 5%, 0.50W	19701	5053CX1K000J
A62R4050	321-0041-00			RES, FXD, FILM: 26.1 OHM, 1%, 0.125W, TC=TO	91637	CMF55116G26R10F
A62R4051	315-0101-00			RES, FXD, FILM: 100 OHM, 5%, 0.25W	57668	NTR25J-E 100E
A62R4052	311-1245-00			RES, VAR, NONNW: TRMR, 10K OHM, 0.5W	32997	3386X-DY6-103
A62R4061	315-0512-00			RES, FXD, FILM: 5.1K OHM, 5%, 0.25W	57668	NTR25J-E05K1
A62R4062	315-0512-00			RES, FXD, FILM: 5.1K OHM, 5%, 0.25W	57668	NTR25J-E05K1
A62R4064	315-0103-00			RES, FXD, FILM: 10K OHM, 5%, 0.25W	19701	5043CX10K00J
A62R4071	311-1245-00			RES, VAR, NONNW: TRMR, 10K OHM, 0.5W	32997	3386X-DY6-103
A62R4072	321-0452-00			RES, FXD, FILM: 499K OHM, 1%, 0.125W, TC=TO	19701	5043ED499K0F
A62R4074	315-0103-00			RES, FXD, FILM: 10K OHM, 5%, 0.25W	19701	5043CX10K00J
A62R4081	311-1245-00			RES, VAR, NONNW: TRMR, 10K OHM, 0.5W	32997	3386X-DY6-103
A62R4084	321-0431-00			RES, FXD, FILM: 301K OHM, 1%, 0.125W, TC=TO	07716	CEAD30102F
A62R4085	321-0389-00			RES, FXD, FILM: 110K OHM, 1%, 0.125W, TC=TO	07716	CEAD11002F
A62R4091	321-0406-00			RES, FXD, FILM: 165K OHM, 1%, 0.125W, TC=TO	07716	CEAD16502F
A62R4092	321-0423-00			RES, FXD, FILM: 249K OHM, 1%, 0.125W, TC=TO	19701	5043ED249K0F
A62R4093	321-0309-00			RES, FXD, FILM: 16.2K OHM, 1%, 0.125W, TC=TO	19701	5033ED16K20F
A62R4094	315-0102-00			RES, FXD, FILM: 1K OHM, 5%, 0.25W	57668	NTR25JE01K0
A62R4095	315-0102-00			RES, FXD, FILM: 1K OHM, 5%, 0.25W	57668	NTR25JE01K0
A62R4096	315-0102-00			RES, FXD, FILM: 1K OHM, 5%, 0.25W	57668	NTR25JE01K0
A62R4097	315-0102-00	B055877		RES, FXD, FILM: 1K OHM, 5%, 0.25W	57668	NTR25JE01K0
A62R4101	307-0106-00			RES, FXD, CMPSN: 4.7 OHM, 5%, 0.25W	01121	CB 47G5
A62R4102	321-0321-00			RES, FXD, FILM: 21.5K OHM, 1%, 0.125W, TC=TO	07716	CEAD21501F
A62R4103	315-0103-00			RES, FXD, FILM: 10K OHM, 5%, 0.25W	19701	5043CX10K00J
A62R5015	315-0102-00	B030000	B043379	RES, FXD, FILM: 1K OHM, 5%, 0.25W	57668	NTR25JE01K0
A62R5015	321-0139-00	B043380		RES, FXD, FILM: 274 OHM, 1%, 0.125W, TC=TO	07716	CEAD274R0F
A62R5020	321-0193-00			RES, FXD, FILM: 1K OHM, 1%, 0.125W, TC=TO	19701	5033ED1K00F
A62R5021	321-0389-00			RES, FXD, FILM: 110K OHM, 1%, 0.125W, TC=TO	07716	CEAD11002F
A62R5022	321-0423-00			RES, FXD, FILM: 249K OHM, 1%, 0.125W, TC=TO	19701	5043ED249K0F
A62R5024	315-0510-00			RES, FXD, FILM: 51 OHM, 5%, 0.25W	19701	5043CX51R00J
A62R5025	315-0751-00			RES, FXD, FILM: 750 OHM, 5%, 0.25W	57668	NTR25J-E750E
A62R5027	321-0126-00			RES, FXD, FILM: 200 OHM, 1%, 0.125W, TC=TO	19701	5033ED200R0F
A62R5029	321-0268-00			RES, FXD, FILM: 6.04K OHM, 1%, 0.125W, TC=TO	19701	5043ED6K040F
A62R5031	315-0181-00			RES, FXD, FILM: 180 OHM, 5%, 0.25W	57668	NTR25J-E180E
A62R5032	321-0289-00			RES, FXD, FILM: 10.0K OHM, 1%, 0.125W, TC=TO	19701	5033ED10K0F
A62R5081	315-0102-00			RES, FXD, FILM: 1K OHM, 5%, 0.25W	57668	NTR25JE01K0
A62R5082	321-0290-00			RES, FXD, FILM: 10.2K OHM, 1%, 0.125W, TC=TO	19701	5043ED10K20F
A62R5083	321-0424-00			RES, FXD, FILM: 255K OHM, 1%, 0.125W, TC=TO	07716	CEAD25502F
A62R5084	321-0330-00			RES, FXD, FILM: 26.7K OHM, 1%, 0.125W, TC=TO	07716	CEAD26701F
A62R5085	315-0103-00			RES, FXD, FILM: 10K OHM, 5%, 0.25W	19701	5043CX10K00J
A62R5086	315-0754-00			RES, FXD, FILM: 750K OHM, 5%, 0.25W, MI	19701	5043CX750K0J
A62R5101	321-0387-00			RES, FXD, FILM: 105K OHM, 1%, 0.125W, TC=TO	07716	CEAD10502F
A62R5102	315-0102-00			RES, FXD, FILM: 1K OHM, 5%, 0.25W	57668	NTR25JE01K0
A62R5103	315-0103-00			RES, FXD, FILM: 10K OHM, 5%, 0.25W	19701	5043CX10K00J
A62R5105	315-0202-00			RES, FXD, FILM: 2K OHM, 5%, 0.25W	57668	NTR25J-E 2K
A62R5107	315-0473-00			RES, FXD, FILM: 47K OHM, 5%, 0.25W	57668	NTR25J-E47K0
A62R5108	315-0753-00			RES, FXD, FILM: 75K OHM, 5%, 0.25W	57668	NTR25J-E75K0
A62R6024	307-0106-00			RES, FXD, CMPSN: 4.7 OHM, 5%, 0.25W	01121	CB 47G5
A62R6028	321-0164-00			RES, FXD, FILM: 499 OHM, 1%, 0.125W, TC=TO	19701	5033ED499R0F
A62R6033	321-0126-00			RES, FXD, FILM: 200 OHM, 1%, 0.125W, TC=TO	19701	5033ED200R0F
A62R6034	321-0193-00			RES, FXD, FILM: 1K OHM, 1%, 0.125W, TC=TO	19701	5033ED1K00F

Component No.	Tektronix Part No.	Serial/Assembly No. Effective Dscont	Name & Description	Mfr. Code	Mfr. Part No.
A62R6072	315-0103-00		RES, FXD, FILM: 10K OHM, 5%, 0.25W	19701	5043CX10K00J
A62R6073	321-0318-00		RES, FXD, FILM: 20.0K OHM, 1%, 0.125W, TC=T0	19701	5033ED20K00F
A62R6074	321-0347-00		RES, FXD, FILM: 40.2K OHM, 1%, 0.125W, TC=T0	91637	CMF55116640201F
A62R6081	321-0164-00		RES, FXD, FILM: 499 OHM, 1%, 0.125W, TC=T0	19701	5033ED499ROF
A62R6082	321-0289-00		RES, FXD, FILM: 10.0K OHM, 1%, 0.125W, TC=T0	19701	5033ED10K0F
A62R6083	315-0103-00		RES, FXD, FILM: 10K OHM, 5%, 0.25W	19701	5043CX10K00J
A62R6084	321-0239-00		RES, FXD, FILM: 3.01K OHM, 1%, 0.125W, TC=T0	19701	5043ED3K010F
A62R6085	321-0171-00		RES, FXD, FILM: 590 OHM, 1%, 0.125W, TC=T0	19701	5033ED590ROF
A62R6101	321-0324-00		RES, FXD, FILM: 23.2K OHM, 1%, 0.125W, TC=T0	07716	CEAD23201F
A62R6102	321-0431-00		RES, FXD, FILM: 301K OHM, 1%, 0.125W, TC=T0	07716	CEAD30102F
A62R6103	321-0243-00		RES, FXD, FILM: 3.32K OHM, 1%, 0.125W, TC=T0	19701	5033ED3K32F
A62R6104	321-0349-00		RES, FXD, FILM: 42.2K OHM, 1%, 0.125W, TC=T0	07716	CEAD42201F
A62R6105	315-0102-00	B055877	RES, FXD, FILM: 1K OHM, 5%, 0.25W	57668	NTR25JE01K0
A62R6107	315-0103-00		RES, FXD, FILM: 10K OHM, 5%, 0.25W	19701	5043CX10K00J
A62R6108	321-0289-00		RES, FXD, FILM: 10.0K OHM, 1%, 0.125W, TC=T0	19701	5033ED10K0F
A62R6109	315-0470-00		RES, FXD, FILM: 47 OHM, 5%, 0.25W	57668	NTR25J-E47E0
A62R6111	315-0470-00		RES, FXD, FILM: 47 OHM, 5%, 0.25W	57668	NTR25J-E47E0
A62R6112	315-0473-00		RES, FXD, FILM: 47K OHM, 5%, 0.25W	57668	NTR25J-E47K0
A62R6113	315-0272-00		RES, FXD, FILM: 2.7K OHM, 5%, 0.25W	57668	NTR25J-E02K7
A62R6114	315-0103-00		RES, FXD, FILM: 10K OHM, 5%, 0.25W	19701	5043CX10K00J
A62R7071	321-0376-00		RES, FXD, FILM: 80.6K OHM, 1%, 0.125W, TC=T0	19701	5043ED80K60F
A62R7072	321-0242-00		RES, FXD, FILM: 3.24K OHM, 1%, 0.125W, TC=T0	19701	5043ED3K240F
A62R7073	315-0100-00		RES, FXD, FILM: 10 OHM, 5%, 0.25W	19701	5043CX10RR00J
A62R7074	315-0103-00		RES, FXD, FILM: 10K OHM, 5%, 0.25W	19701	5043CX10K00J
A62R7081	321-0170-00		RES, FXD, FILM: 576 OHM, 1%, 0.125W, TC=T0	07716	CEAD576ROF
A62R7082	321-0150-00		RES, FXD, FILM: 357 OHM, 1%, 0.125W, TC=T0	07716	CEAD357ROF
A62R7085	321-0300-00		RES, FXD, FILM: 13.0K OHM, 1%, 0.125W, TC=T0	07716	CEAD13001F
A62R7086	321-0172-00		RES, FXD, FILM: 604 OHM, 1%, 0.125W, TC=T0	19701	5033ED604ROF
A62R7087	315-0101-00		RES, FXD, FILM: 100 OHM, 5%, 0.25W	57668	NTR25J-E 100E
A62R7092	321-0299-00		RES, FXD, FILM: 12.7K OHM, 1%, 0.125W, TC=T0	19701	5033ED12K70F
A62R7093	321-0236-00		RES, FXD, FILM: 2.80K OHM, 1%, 0.125W, TC=T0	07716	CEAD28000F
A62R7095	315-0362-00		RES, FXD, FILM: 3.6K OHM, 5%, 0.25W	19701	5043CX3K600J
A62R7096	321-0348-00		RES, FXD, FILM: 41.2K OHM, 1%, 0.125W, TC=T0	19701	5043ED41K20F
A62R7097	321-0385-00		RES, FXD, FILM: 100K OHM, 1%, 0.125W, TC=T0	19701	5033ED100K0F
A62R7099	315-0103-00		RES, FXD, FILM: 10K OHM, 5%, 0.25W	19701	5043CX10K00J
A62R7102	315-0105-00		RES, FXD, FILM: 1M OHM, 5%, 0.25W	19701	5043CX1M000J
A62R8020	321-0296-00		RES, FXD, FILM: 11.8K OHM, 1%, 0.125W, TC=T0	07716	CEAD11801F
A62R8021	321-0296-00		RES, FXD, FILM: 11.8K OHM, 1%, 0.125W, TC=T0	07716	CEAD11801F
A62R8031	307-0106-00		RES, FXD, CMPSN: 4.7 OHM, 5%, 0.25W	01121	CB 47G5
A62R8034	307-0106-00		RES, FXD, CMPSN: 4.7 OHM, 5%, 0.25W	01121	CB 47G5
A62U4090	155-0116-00		MICROCKT, LINEAR: QUAD OPNL AMPL	80009	155-0116-00
A62U5041	156-0509-00		MICROCKT, DGTL: 8-BIT BINARY, MULT CUR	04713	MC1408L8
A62U5060	156-0411-02		MICROCKT, LINEAR: QUAD COMPARATOR, SCREENED	04713	LM339JDS
A62U5070	156-0385-02		MICROCKT, DGTL: HEX INVERTER, SCRNL	07263	74LS04PCQR
A62U6040	156-0913-02		MICROCKT, DGTL: OCTAL D FF W/ENABLE, SCRNL	01295	SN74LS377NP3
A62U6050	156-0913-02		MICROCKT, DGTL: OCTAL D FF W/ENABLE, SCRNL	01295	SN74LS377NP3
A62U6060	156-0411-02		MICROCKT, LINEAR: QUAD COMPARATOR, SCREENED	04713	LM339JDS
A62U6070	156-0469-02		MICROCKT, DGTL: 3/8 LINE DC DR, SCRNL	01295	SN74LS138NP3
A62W1023	131-0566-00	B043380	BUS, CONDUCTOR: DUMMY RES, 0.094 OD X 0.225 L	24546	OMA 07
A62W2013	131-0566-00	B043380	BUS, CONDUCTOR: DUMMY RES, 0.094 OD X 0.225 L	24546	OMA 07
A64	670-5553-00	B030000	CIRCUIT BD ASSY: DEFLECTION AMPS	80009	670-5553-00
A64	670-8083-00	B054644	CIRCUIT BD ASSY: DEFL AMP	80009	670-8083-00
A64	670-8083-01	B055804	CIRCUIT BD ASSY: DEFLECTION AMP	80009	670-8083-01
A64	670-8083-02	B056051	CIRCUIT BD ASSY: DEFL AMP	80009	670-8083-02
A64C1018	283-0006-00		CAP, FXD, CER DI: 0.02UF, +80-20%, 500V	59660	0841545Z5V00203Z
A64C1023	283-0203-00		CAP, FXD, CER DI: 0.47UF, 20%, 50V	04222	SR305SC474MAA
A64C1037	283-0010-00	B030000	CAP, FXD, CER DI: 0.05UF, +80-20%, 50V	04222	SR305E503ZAA
A64C1049	283-0203-00		CAP, FXD, CER DI: 0.47UF, 20%, 50V	04222	SR305SC474MAA

Replaceable Electrical Parts
492/492P Service Vol. 2 (B030000 & Up)

Component No.	Tektronix Part No.	Serial/Assembly No. Effective	Dscont	Name & Description	Mfr. Code	Mfr. Part No.
A64C2021	281-0661-00	B030000	B054643	CAP, FXD, CER DI: 0.8PF, +/-0.1PF, 500V	52763	2RDPLZ007 0P80BC
A64C2022	283-0006-00			CAP, FXD, CER DI: 0.02UF, +80-20%, 500V	59660	0841545Z5V00203Z
A64C2037	283-0010-00	B054644		CAP, FXD, CER DI: 0.05UF, +80-20%, 50V	04222	SR305E503ZAA
A64C2047	283-0317-00	B054644		CAP, FXD, CER DI: 1PF, +/-0.1PF, 500V	59660	861518COK0109B
A64C2055	283-0140-00			CAP, FXD, CER DI: 4.7PF, +/-0.25PF, 50V	72982	8101E003A479C
A64C2060	283-0167-00	B056051		CAP, FXD, CER DI: 0.1UF, 10%, 100V	04222	3430-100C-104K
A64C2062	283-0167-00	B056051		CAP, FXD, CER DI: 0.1UF, 10%, 100V	04222	3430-100C-104K
A64C2066	283-0140-00			CAP, FXD, CER DI: 4.7PF, +/-0.25PF, 50V	72982	8101E003A479C
A64C2073	283-0010-00	B054644		CAP, FXD, CER DI: 0.05UF, +80-20%, 50V	04222	SR305E503ZAA
A64C2078	283-0317-00	B054644		CAP, FXD, CER DI: 1PF, +/-0.1PF, 500V	59660	861518COK0109B
A64C2083	283-0006-00			CAP, FXD, CER DI: 0.02UF, +80-20%, 500V	59660	0841545Z5V00203Z
A64C2085	281-0661-00	B030000	B054643	CAP, FXD, CER DI: 0.8PF, +/-0.1PF, 500V	52763	2RDPLZ007 0P80BC
A64C2087	283-0006-00			CAP, FXD, CER DI: 0.02UF, +80-20%, 500V	59660	0841545Z5V00203Z
A64C2101	283-0006-00			CAP, FXD, CER DI: 0.02UF, +80-20%, 500V	59660	0841545Z5V00203Z
A64C2103	283-0006-00			CAP, FXD, CER DI: 0.02UF, +80-20%, 500V	59660	0841545Z5V00203Z
A64C2106	281-0661-00	B030000	B054643	CAP, FXD, CER DI: 0.8PF, +/-0.1PF, 500V	52763	2RDPLZ007 0P80BC
A64C2106	283-0317-00	B054644		CAP, FXD, CER DI: 1PF, +/-0.1PF, 500V	59660	861518COK0109B
A64C3021	283-0317-00	B054644		CAP, FXD, CER DI: 1PF, +/-0.1PF, 500V	59660	861518COK0109B
A64C3039	283-0006-00			CAP, FXD, CER DI: 0.02UF, +80-20%, 500V	59660	0841545Z5V00203Z
A64C3043	281-0661-00	B030000	B054643	CAP, FXD, CER DI: 0.8PF, +/-0.1PF, 500V	52763	2RDPLZ007 0P80BC
A64C3051	283-0006-00			CAP, FXD, CER DI: 0.02UF, +80-20%, 500V	59660	0841545Z5V00203Z
A64C3073	283-0010-00	B030000	B054643	CAP, FXD, CER DI: 0.05UF, +80-20%, 50V	04222	SR305E503ZAA
A64C4052	281-0204-00	B030000	B054643	CAP, VAR, PLASTIC: 2-22PF, 100V	80031	2807C00222MJ02
A64C4057	281-0226-00	B054644		CAP, VAR, PLASTIC: 4-38PF, 100V	52769	GXD38000
A64C4061	281-0204-00	B030000	B054643	CAP, VAR, PLASTIC: 2-22PF, 100V	80031	2807C00222MJ02
A64C4061	281-0226-00	B054644		CAP, VAR, PLASTIC: 4-38PF, 100V	52769	GXD38000
A64C5021	281-0204-00	B030000	B054643	CAP, VAR, PLASTIC: 2-22PF, 100V	80031	2807C00222MJ02
A64C5021	281-0226-00	B054644		CAP, VAR, PLASTIC: 4-38PF, 100V	52769	GXD38000
A64C5033	283-0111-00			CAP, FXD, CER DI: 0.1UF, 20%, 50V	05397	C330C104M5U1CA
A64C5058	283-0111-00			CAP, FXD, CER DI: 0.1UF, 20%, 50V	05397	C330C104M5U1CA
A64C5089	283-0111-00			CAP, FXD, CER DI: 0.1UF, 20%, 50V	05397	C330C104M5U1CA
A64C5104	281-0204-00	B030000	B054643	CAP, VAR, PLASTIC: 2-22PF, 100V	80031	2807C00222MJ02
A64C5104	281-0226-00	B054644		CAP, VAR, PLASTIC: 4-38PF, 100V	52769	GXD38000
A64C6033	283-0189-00			CAP, FXD, CER DI: 0.1UF, 20%, 400V	51642	500400X5R 104M
A64C6037	283-0189-00			CAP, FXD, CER DI: 0.1UF, 20%, 400V	51642	500400X5R 104M
A64C6065	283-0167-00	B056051		CAP, FXD, CER DI: 0.1UF, 10%, 100V	04222	3430-100C-104K
A64C6073	283-0181-00			CAP, FXD, CER DI: 1.8PF, +/-0.1%, 100V	51642	100 100NP0189B
A64C6073	283-0167-00	B056051		CAP, FXD, CER DI: 0.1UF, 10%, 100V	04222	3430-100C-104K
A64C6081	281-0811-00			CAP, FXD, CER DI: 10PF, 10%, 100V	04222	MA101A100KAA
A64C7015	283-0065-00			CAP, FXD, CER DI: 0.001UF, 5%, 100V	59660	0835-591Y5E0102J
A64C7061	283-0177-00			CAP, FXD, CER DI: 1UF, +80-20%, 25V	04222	SR302E105ZAATR
A64C7065	283-0167-00	B056051		CAP, FXD, CER DI: 0.1UF, 10%, 100V	04222	3430-100C-104K
A64C7071	283-0177-00			CAP, FXD, CER DI: 1UF, +80-20%, 25V	04222	SR302E105ZAATR
A64C7073	283-0177-00			CAP, FXD, CER DI: 1UF, +80-20%, 25V	04222	SR302E105ZAATR
A64C7074	283-0177-00			CAP, FXD, CER DI: 1UF, +80-20%, 25V	04222	SR302E105ZAATR
A64C7088	283-0177-00			CAP, FXD, CER DI: 1UF, +80-20%, 25V	04222	SR302E105ZAATR
A64C7091	283-0181-00	B030000	B054643	CAP, FXD, CER DI: 1.8PF, +/-0.1%, 100V	51642	100 100NP0189B
A64C7093	283-0177-00			CAP, FXD, CER DI: 1UF, +80-20%, 25V	04222	SR302E105ZAATR
A64C7094	283-0111-00	B030000	B054643	CAP, FXD, CER DI: 0.1UF, 20%, 50V	05397	C330C104M5U1CA
A64C7097	283-0177-00	B030000	B054643	CAP, FXD, CER DI: 1UF, +80-20%, 25V	04222	SR302E105ZAATR
A64C7102	283-0111-00	B030000	B054643	CAP, FXD, CER DI: 0.1UF, 20%, 50V	05397	C330C104M5U1CA
A64CR3058	152-0141-02	B030000	B054643	SEMICONDCAP, DI: SW, SI, 30V, 150MA, 30V, DO-35	03508	DA2527 (1N4152)
A64CR4051	152-0141-02			SEMICONDCAP, DI: SW, SI, 30V, 150MA, 30V, DO-35	03508	DA2527 (1N4152)
A64CR4052	152-0141-02			SEMICONDCAP, DI: SW, SI, 30V, 150MA, 30V, DO-35	03508	DA2527 (1N4152)
A64CR4056	152-0141-02	B054644		SEMICONDCAP, DI: SW, SI, 30V, 150MA, 30V, DO-35	03508	DA2527 (1N4152)
A64CR4058	152-0141-02			SEMICONDCAP, DI: SW, SI, 30V, 150MA, 30V, DO-35	03508	DA2527 (1N4152)
A64CR4063	152-0141-02			SEMICONDCAP, DI: SW, SI, 30V, 150MA, 30V, DO-35	03508	DA2527 (1N4152)
A64CR4064	152-0141-02			SEMICONDCAP, DI: SW, SI, 30V, 150MA, 30V, DO-35	03508	DA2527 (1N4152)

Component No.	Tektronix	Serial/Assembly No.		Name & Description	Mfr.	Mfr. Part No.
	Part No.	Effective	Discont		Code	
A64CR5054	152-0141-02			SEMICON DVC,DI:SW,SI,30V,150MA,30V,DO-35	03508	DA2527 (1N4152)
A64CR5055	152-0141-02			SEMICON DVC,DI:SW,SI,30V,150MA,30V,DO-35	03508	DA2527 (1N4152)
A64CR6082	152-0141-02	B030000	B054643	SEMICON DVC,DI:SW,SI,30V,150MA,30V,DO-35	03508	DA2527 (1N4152)
A64CR7081	152-0141-02	B030000	B054643	SEMICON DVC,DI:SW,SI,30V,150MA,30V,DO-35	03508	DA2527 (1N4152)
A64J1035	131-0608-00	B030000	B054643	TERMINAL,PIN:0.365 L X 0.025 BRZ GLD PL	22526	48283-036
A64J2100	131-0608-00	B030000	B054643	TERMINAL,PIN:0.365 L X 0.025 BRZ GLD PL	22526	48283-036
A64L7061	108-0395-00			COIL,RF:FIXED,64UH	80009	108-0395-00
A64L7069	108-0395-00			COIL,RF:FIXED,64UH	80009	108-0395-00
A64L7081	108-0395-00			COIL,RF:FIXED,64UH	80009	108-0395-00
A64L7088	108-0395-00			COIL,RF:FIXED,64UH	80009	108-0395-00
A64Q1024	151-0694-01			TRANSISTOR:SCREENED	80009	151-0694-01
A64Q1031	151-0693-01			TRANSISTOR:BURN-IN	80009	151-0693-01
A64Q1043	151-0693-01			TRANSISTOR:BURN-IN	80009	151-0693-01
A64Q1049	151-0694-01			TRANSISTOR:SCREENED	80009	151-0694-01
A64Q1072	151-0694-01			TRANSISTOR:SCREENED	80009	151-0694-01
A64Q1095	151-0694-01			TRANSISTOR:SCREENED	80009	151-0694-01
A64Q2078	151-0693-01			TRANSISTOR:BURN-IN	80009	151-0693-01
A64Q2096	151-0693-01			TRANSISTOR:BURN-IN	80009	151-0693-01
A64Q4017	151-0220-00			TRANSISTOR:PNP,SI,TO-92	80009	151-0220-00
A64Q4022	151-0220-00			TRANSISTOR:PNP,SI,TO-92	80009	151-0220-00
A64Q4025	151-0261-00			TRANSISTOR:PNP,SI,TO-77	04713	SD441
A64Q4026	151-0302-00			TRANSISTOR:NPN,SI,TO-18	04713	ST899
A64Q4035	151-0302-00			TRANSISTOR:NPN,SI,TO-18	04713	ST899
A64Q4038	151-0261-00			TRANSISTOR:PNP,SI,TO-77	04713	SD441
A64Q4042	151-0220-00			TRANSISTOR:PNP,SI,TO-92	80009	151-0220-00
A64Q4047	151-0220-00			TRANSISTOR:PNP,SI,TO-92	80009	151-0220-00
A64Q4077	151-0220-00			TRANSISTOR:PNP,SI,TO-92	80009	151-0220-00
A64Q4078	151-0220-00			TRANSISTOR:PNP,SI,TO-92	80009	151-0220-00
A64Q4083	151-0261-00			TRANSISTOR:PNP,SI,TO-77	04713	SD441
A64Q4084	151-0220-00			TRANSISTOR:PNP,SI,TO-92	80009	151-0220-00
A64Q4088	151-0302-00			TRANSISTOR:NPN,SI,TO-18	04713	ST899
A64Q4098	151-0302-00			TRANSISTOR:NPN,SI,TO-18	04713	ST899
A64Q4101	151-0261-00			TRANSISTOR:PNP,SI,TO-77	04713	SD441
A64Q4102	151-0220-00			TRANSISTOR:PNP,SI,TO-92	80009	151-0220-00
A64Q4108	151-0220-00			TRANSISTOR:PNP,SI,TO-92	80009	151-0220-00
A64Q7097	151-0302-00	B030000	B054643	TRANSISTOR:NPN,SI,TO-18	04713	ST899
A64Q7103	151-0302-00	B030000	B054643	TRANSISTOR:NPN,SI,TO-18	04713	ST899
A64R1012	315-0102-00	B030000	B054643	RES,FXD,FILM:1K OHM,5%,0.25W	57668	NTR25JE01K0
A64R1014	315-0472-00	B030000	B054643	RES,FXD,FILM:4.7K OHM,5%,0.25W	57668	NTR25J-E04K7
A64R1016	315-0470-00	B030000	B054643	RES,FXD,FILM:47 OHM,5%,0.25W	57668	NTR25J-E47E0
A64R1022	315-0470-00			RES,FXD,FILM:47 OHM,5%,0.25W	57668	NTR25J-E47E0
A64R1023	315-0392-00			RES,FXD,FILM:3.9K OHM,5%,0.25W	57668	NTR25J-E03K9
A64R1024	315-0912-00			RES,FXD,FILM:9.1K OHM,5%,0.25W	57668	NTR25J-E09K1
A64R1031	315-0102-00			RES,FXD,FILM:1K OHM,5%,0.25W	57668	NTR25JE01K0
A64R1034	315-0470-00			RES,FXD,FILM:47 OHM,5%,0.25W	57668	NTR25J-E47E0
A64R1044	315-0102-00			RES,FXD,FILM:1K OHM,5%,0.25W	57668	NTR25JE01K0
A64R1045	315-0470-00			RES,FXD,FILM:47 OHM,5%,0.25W	57668	NTR25J-E47E0
A64R1049	315-0392-00			RES,FXD,FILM:3.9K OHM,5%,0.25W	57668	NTR25J-E03K9
A64R1052	315-0912-00			RES,FXD,FILM:9.1K OHM,5%,0.25W	57668	NTR25J-E09K1
A64R1055	311-1245-00			RES,VAR,NONW:TRMR,10K OHM,0.5W	32997	3386X-DY6-103
A64R1066	311-1245-00			RES,VAR,NONW:TRMR,10K OHM,0.5W	32997	3386X-DY6-103
A64R1081	315-0102-00			RES,FXD,FILM:1K OHM,5%,0.25W	57668	NTR25JE01K0
A64R1082	315-0470-00			RES,FXD,FILM:47 OHM,5%,0.25W	57668	NTR25J-E47E0
A64R1084	315-0751-00			RES,FXD,FILM:750 OHM,5%,0.25W	57668	NTR25J-E750E
A64R1085	315-0472-00			RES,FXD,FILM:4.7K OHM,5%,0.25W	57668	NTR25J-E04K7
A64R1087	315-0751-00	B054644		RES,FXD,FILM:750 OHM,5%,0.25W	57668	NTR25J-E750E
A64R1092	315-0751-00	B030000	B054643	RES,FXD,FILM:750 OHM,5%,0.25W	57668	NTR25J-E750E
A64R1102	315-0472-00	B054644		RES,FXD,FILM:4.7K OHM,5%,0.25W	57668	NTR25J-E04K7

Replaceable Electrical Parts
492/492P Service Vol. 2 (B030000 & Up)

Component No.	Tektronix Part No.	Serial/Assembly No. Effective	Dscont	Name & Description	Mfr. Code	Mfr. Part No.
A64R7032	321-0439-00			RES,FXD,FILM:365K OHM,1%,0.125W,TC=TO	07716	CEAD36502F
A64R7034	321-0306-00	B030000	B054643	RES,FXD,FILM:15.0K OHM,1%,0.125W,TC=TO	19701	5033ED15J00F
A64R7034	321-0338-00	B054644		RES,FXD,FILM:32.4K OHM,1%,0.125W,TC=TO	19701	5033ED32K40F
A64R7051	321-0335-00			RES,FXD,FILM:30.1K OHM,1%,0.125W,TC=TO	57668	RB14FXE30K1
A64R7078	315-0100-00			RES,FXD,FILM:10 OHM,5%,0.25W	19701	5043CX10RR00J
A64R7079	315-0100-00			RES,FXD,FILM:10 OHM,5%,0.25W	19701	5043CX10RR00J
A64R7081	321-0335-00			RES,FXD,FILM:30.1K OHM,1%,0.125W,TC=TO	57668	RB14FXE30K1
A64R7082	315-0102-00	B030000	B054643	RES,FXD,FILM:1K OHM,5%,0.25W	57668	NTR25JE01K0
A64R7086	321-0381-00	B030000	B054643	RES,FXD,FILM:90.9K OHM,1%,0.125W,TC=TO	07716	CEAD90901F
A64R7089	321-0381-00	B030000	B054643	RES,FXD,FILM:90.9K OHM,1%,0.125W,TC=TO	07716	CEAD90901F
A64R7091	321-0381-00	B030000	B054643	RES,FXD,FILM:90.9K OHM,1%,0.125W,TC=TO	07716	CEAD90901F
A64R7092	315-0100-00	B030000	B054643	RES,FXD,FILM:10 OHM,5%,0.25W	19701	5043CX10RR00J
A64R7101	321-0320-00	B030000	B054643	RES,FXD,FILM:21.0K OHM,1%,0.125W,TC=TO	19701	5033ED21K00F
A64R7102	321-0285-00	B030000	B054643	RES,FXD,FILM:9.09K OHM,1%,0.125W,TC=TO	07716	CEAD90900F
A64R7107	321-0313-00	B030000	B054643	RES,FXD,FILM:17.8K OHM,1%,0.125W,TC=TO	07716	CEAD17801F
A64R7108	321-0380-00	B030000	B054643	RES,FXD,FILM:88.7K OHM,1%,0.125W,TC=TO	07716	CEAD88701F
A64R8071	315-0104-00			RES,FXD,FILM:100K OHM,5%,0.25W	57668	NTR25J-E100K
A64TP1016	214-0579-00	B054644		TERM,TEST POINT:BRS CD PL	80009	214-0579-00
A64U2060	156-0742-02			MICROCKT,L LINEAR:OPNL AMPL,SELECTED	27014	LM318N/A+
A64U2062	156-0742-02			MICROCKT,L LINEAR:OPNL AMPL,SELECTED	27014	LM318N/A+
A64U6024	156-1226-00	B030000	B054643	MICROCKT,L LINEAR:DUAL COMPARATOR	18324	LM319F
A64U6024	156-1226-01	B054644		MICROCKT,L LINEAR:DUAL COMPARATOR,SCRN	27014	LM319J/A+
A64U6055	156-1211-00			MICROCKT,INTFC:QUAD SPST SWITCH,2NC,2NO	27014	LF13333N
A64U6065	156-0742-02			MICROCKT,L LINEAR:OPNL AMPL,SELECTED	27014	LM318N/A+
A64U6073	156-0742-02			MICROCKT,L LINEAR:OPNL AMPL,SELECTED	27014	LM318N/A+
A64U6093	156-0742-02	B030000	B054643	MICROCKT,L LINEAR:OPNL AMPL,SELECTED	27014	LM318N/A+
A64U6102	156-0742-02	B030000	B054643	MICROCKT,L LINEAR:OPNL AMPL,SELECTED	27014	LM318N/A+
A64U7055	156-1211-00			MICROCKT,INTFC:QUAD SPST SWITCH,2NC,2NO	27014	LF13333N
A64U7065	156-0742-02			MICROCKT,L LINEAR:OPNL AMPL,SELECTED	27014	LM318N/A+
A64U7073	156-0158-04			MICROCKT,L LINEAR:DUAL OPNL AMPL	01295	MC1458JG
A64VR1035	152-0279-00			SEMICOND DVC,DI:ZEN,SI,5.1V,5%,0.4W,DO-7	14552	TD3810989
A64VR3074	152-0279-00			SEMICOND DVC,DI:ZEN,SI,5.1V,5%,0.4W,DO-7	14552	TD3810989
A66	670-5544-00			CIRCUIT BD ASSY:CRT READOUT	80009	670-5544-00
A66C1012	283-0111-00			CAP,FXD,CER DI:0.1UF,20%,50V	05397	C330C104MSU1CA
A66C1018	283-0111-00			CAP,FXD,CER DI:0.1UF,20%,50V	05397	C330C104MSU1CA
A66C1022	283-0111-00			CAP,FXD,CER DI:0.1UF,20%,50V	05397	C330C104MSU1CA
A66C1034	283-0111-00			CAP,FXD,CER DI:0.1UF,20%,50V	05397	C330C104MSU1CA
A66C1038	283-0111-00			CAP,FXD,CER DI:0.1UF,20%,50V	05397	C330C104MSU1CA
A66C1041	283-0196-00			CAP,FXD,CER DI:270PF,10%,50V	51642	150-050-X7R-271K
A66C1042	283-0032-00			CAP,FXD,CER DI:470PF,5%,500V	59660	831-000-Z5E0471J
A66C1048	283-0111-00			CAP,FXD,CER DI:0.1UF,20%,50V	05397	C330C104MSU1CA
A66C2012	283-0111-00			CAP,FXD,CER DI:0.1UF,20%,50V	05397	C330C104MSU1CA
A66C2013	283-0204-00			CAP,FXD,CER DI:0.01UF,20%,50V	04222	SR155E103MAA
A66C2014	283-0111-00			CAP,FXD,CER DI:0.1UF,20%,50V	05397	C330C104MSU1CA
A66C2015	283-0111-00			CAP,FXD,CER DI:0.1UF,20%,50V	05397	C330C104MSU1CA
A66C2016	283-0111-00			CAP,FXD,CER DI:0.1UF,20%,50V	05397	C330C104MSU1CA
A66C2017	283-0111-00			CAP,FXD,CER DI:0.1UF,20%,50V	05397	C330C104MSU1CA
A66C2034	283-0111-00			CAP,FXD,CER DI:0.1UF,20%,50V	05397	C330C104MSU1CA
A66C2036	283-0111-00			CAP,FXD,CER DI:0.1UF,20%,50V	05397	C330C104MSU1CA
A66C2038	283-0032-00			CAP,FXD,CER DI:470PF,5%,500V	59660	831-000-Z5E0471J
A66C2044	283-0111-00			CAP,FXD,CER DI:0.1UF,20%,50V	05397	C330C104MSU1CA
A66C3014	283-0111-00			CAP,FXD,CER DI:0.1UF,20%,50V	05397	C330C104MSU1CA
A66C3015	283-0111-00			CAP,FXD,CER DI:0.1UF,20%,50V	05397	C330C104MSU1CA
A66C3021	283-0111-00			CAP,FXD,CER DI:0.1UF,20%,50V	05397	C330C104MSU1CA
A66C3022	283-0204-00			CAP,FXD,CER DI:0.01UF,20%,50V	04222	SR155E103MAA
A66C3023	283-0111-00			CAP,FXD,CER DI:0.1UF,20%,50V	05397	C330C104MSU1CA
A66C3025	283-0111-00			CAP,FXD,CER DI:0.1UF,20%,50V	05397	C330C104MSU1CA
A66C3026	290-0517-00			CAP,FXD,ELCTLT:6.8UF,20%,35V	05397	T368B685M035AZ

Component No.	Tektronix Part No.	Serial/Assembly No.		Name & Description	Mfr. Code	Mfr. Part No.
		Effective	Dscont			
A66C3027	283-0111-00			CAP, FXD, CER DI: 0.1UF, 20%, 50V	05397	C330C104M5U1CA
A66C3031	283-0111-00			CAP, FXD, CER DI: 0.1UF, 20%, 50V	05397	C330C104M5U1CA
A66C3032	290-0535-00			CAP, FXD, ELCTLT: 33UF, 20%, 10V TANTALUM	56289	196D336X0010KA1
A66C3033	290-0517-00			CAP, FXD, ELCTLT: 6. 8UF, 20%, 35V	05397	T368B685M035AZ
A66C3035	290-0517-00			CAP, FXD, ELCTLT: 6. 8UF, 20%, 35V	05397	T368B685M035AZ
A66C3036	285-0643-00			CAP, FXD, PLASTIC: 0.0047UF, 5%, 100V	56289	192P47252R468
A66CR1041	152-0322-00			SEMICON DVC, DI: SCHOTTKY, SI, 15V, DO-35	50434	5082-2672
A66L3028	108-0598-00			COIL, RF: FIXED, 200UH	80009	108-0598-00
A66L3032	108-0598-00			COIL, RF: FIXED, 200UH	80009	108-0598-00
A66L3034	108-0598-00			COIL, RF: FIXED, 200UH	80009	108-0598-00
A66R1012	315-0102-00			RES, FXD, FILM: 1K OHM, 5%, 0.25W	57668	NTR25J01K0
A66R1036	315-0103-00			RES, FXD, FILM: 10K OHM, 5%, 0.25W	19701	5043CX10K00J
A66R1041	315-0103-00			RES, FXD, FILM: 10K OHM, 5%, 0.25W	19701	5043CX10K00J
A66R1042	321-0307-00			RES, FXD, FILM: 15.4K OHM, 1%, 0.125W, TC=T0	19701	5043ED15K40F
A66R2012	321-0277-08			RES, FXD, FILM: 7.50K OHM, 1%, 0.125W, TC=T2	24546	NC55C7501F
A66R2013	321-0277-08			RES, FXD, FILM: 7.50K OHM, 1%, 0.125W, TC=T2	24546	NC55C7501F
A66R2015	321-0277-08			RES, FXD, FILM: 7.50K OHM, 1%, 0.125W, TC=T2	24546	NC55C7501F
A66R2016	321-0277-08			RES, FXD, FILM: 7.50K OHM, 1%, 0.125W, TC=T2	24546	NC55C7501F
A66R2036	315-0103-00			RES, FXD, FILM: 10K OHM, 5%, 0.25W	19701	5043CX10K00J
A66R2037	315-0183-00			RES, FXD, FILM: 18K OHM, 5%, 0.25W	19701	5043CX18K00J
A66R2038	315-0103-00			RES, FXD, FILM: 10K OHM, 5%, 0.25W	19701	5043CX10K00J
A66R2039	321-0359-00			RES, FXD, FILM: 53.6K OHM, 1%, 0.125W, TC=T0	07716	CEAD53601F
A66R2042	315-0103-00			RES, FXD, FILM: 10K OHM, 5%, 0.25W	19701	5043CX10K00J
A66R3014	321-0256-00			RES, FXD, FILM: 4.53K OHM, 1%, 0.125W, TC=T9	19701	5033ED4K530F
A66R3015	321-0333-00			RES, FXD, FILM: 28.7K OHM, 1%, 0.125W, TC=T0	19701	5043ED28K70F
A66R3022	321-0242-00			RES, FXD, FILM: 3.24K OHM, 1%, 0.125W, TC=T0	19701	5043ED3K240F
A66R3023	321-0684-00			RES, FXD, FILM: 15K OHM, 0.5%, 0.125W, TC=T2	19701	5033RC15K00D
A66R3032	315-0103-00			RES, FXD, FILM: 10K OHM, 5%, 0.25W	19701	5043CX10K00J
A66U1014	156-0469-02			MICROCKT, DCTL: 3/8 LINE DCDR, SCRN	01295	SN74LS138NP3
A66U1018	156-0385-02			MICROCKT, DCTL: HEX INVERTER, SCRN	07263	74LS04PCQR
A66U1022	156-0386-02			MICROCKT, DCTL: TRIPLE 3-INP NAND GATE, SCRN	07263	74LS10PCQR
A66U1024	156-0956-02			MICROCKT, DCTL: OCTAL BFR W/3 STATE OUT, SCRN	01295	SN74LS244NP3
A66U1026	156-0716-00			MICROCKT, DCTL: MOS, RAM, 128 X 8 STATIC	04713	MCM6810S
A66U1028	156-1170-00			MICROCKT, DCTL: TTL, ROM, CHAR GEN	27014	DM86S64CAB/N
A66U1036	156-0391-02			MICROCKT, DCTL: HEX LATCH W/CLEAR, SCRN	01295	SN74LS174NP3
A66U1038	156-0480-02			MICROCKT, DCTL: QUAD 2-INP & GATE, SCRN,	01295	SN74LS08NP3
A66U2012	156-0844-02			MICROCKT, DCTL: SYN 4 BIT CNTR, SCRN	01295	SN74LS161A(NP3)
A66U2016	156-0844-02			MICROCKT, DCTL: SYN 4 BIT CNTR, SCRN	01295	SN74LS161A(NP3)
A66U2018	156-0844-02			MICROCKT, DCTL: SYN 4 BIT CNTR, SCRN	01295	SN74LS161A(NP3)
A66U2022	156-1255-00			MICROCKT, LINEAR: D/A CONVERTER, 8 BIT	06665	DAC08-157Q
A66U2024	156-0982-00			MICROCKT, DCTL: LSTTL, OCTAL D TYPE	18324	74LS374(N OR F)
A66U2028	156-0956-02			MICROCKT, DCTL: OCTAL BFR W/3 STATE OUT, SCRN	01295	SN74LS244NP3
A66U2032	156-0479-02			MICROCKT, DCTL: QUAD 2-INP OR GATE, SCRN	01295	SN74LS32NP3
A66U2034	156-0392-03			MICROCKT, DCTL: QUAD LATCH W/CLEAR, SCRN,	07263	74LS175PCQR
A66U2036	156-1059-01			MICROCKT, DCTL: DUAL J-K EDGE TRIGGERED FF	80009	156-1059-01
A66U2038	156-0469-02			MICROCKT, DCTL: 3/8 LINE DCDR, SCRN	01295	SN74LS138NP3
A66U2042	156-0733-02			MICROCKT, DCTL: DUAL MONOSTABLE MW W/ST INP	01295	SN74LS221N3
A66U2044	156-0733-02			MICROCKT, DCTL: DUAL MONOSTABLE MW W/ST INP	01295	SN74LS221N3
A66U3012	156-1255-00			MICROCKT, LINEAR: D/A CONVERTER, 8 BIT	06665	DAC08-157Q
A66U3018	156-1211-00			MICROCKT, INTFC: QUAD SPST SWITCH, 2NC, 2NO	27014	LF13333N
A68	644-0163-04	B030000	B042199	VAR RESOLN MDL:	80009	644-0163-04
A68	644-0163-06	B042200	B053763	VAR RESOLN MDL:	80009	644-0163-06
A68	644-0163-10	B053764	B054894	VAR RESOLN MDL:	80009	644-0163-10
A68	644-0532-00	B054895	B055479	VAR RESOLN MDL:	80009	644-0532-00
A68	644-0532-01	B055480	B055695	VAR RESOLN MDL:	80009	644-0532-01
A68	644-0532-02	B055696	B055938	VAR RESOLN MDL:	80009	644-0532-02
A68	644-0532-03	B055939		VAR RESOLN MDL:	80009	644-0532-03
A68	644-0163-05	B030000	B042199	VAR RESOLN MDL: (OPTION 03 ONLY)	80009	644-0163-05

Replaceable Electrical Parts
492/492P Service Vol. 2 (B030000 & Up)

Component No.	Tektronix Part No.	Serial/Assembly No. Effective	Dscont	Name & Description	Mfr. Code	Mfr. Part No.
A68	644-0163-07	B042200	B053763	VAR RESOLN MDL: (OPTION 03 ONLY)	80009	644-0163-07
A68	644-0163-08	B053764	B054894	VAR RESOLN MDL: (OPTION 03 ONLY)	80009	644-0163-08
A68	644-0531-00	B054895	B055479	VAR RESOLN MDL: (OPTION 03 ONLY)	80009	644-0531-00
A68	644-0531-01	B055480	B055695	VAR RESOLN MDL: (OPTION 03 ONLY)	80009	644-0531-01
A68	644-0531-02	B055696	B055938	VAR RESOLN MDL: (OPTION 03 ONLY)	80009	644-0531-02
A68	644-0531-03	B055939		VAR RESOLN MDL: (OPTION 03 ONLY)	80009	644-0531-03
A68Y1030	158-0176-00			XTAL UNIT SET,Q:4,10 MHZ,0.001%,MATCHED,SER (OPT 03 ONLY,MTCHD SET W/Y1045, Y5012,Y7019)	33096	ORDER BY DESCR
A68Y1045	158-0176-00			XTAL UNIT SET,Q:4,10 MHZ,0.001%,MATCHED,SER (OPT 03 ONLY,MTCHD SET W/Y1030, Y5012,Y7019)	33096	ORDER BY DESCR
A68Y2036	119-0968-00			FILTER,BANDPASS:XTAL,6 POLE ML (MATCHED SET WITH Y3046,Y5046)	75378	965-0159
A68Y2043	119-0969-00			FILTER,BANDPASS:XTAL,4 POLE ML (MATCHED SET WITH Y5035)	75378	965-0160
A68Y3046	119-0968-00			FILTER,BANDPASS:XTAL,6 POLE ML (MATCHED SET WITH Y2036,Y5046)	75378	965-0159
A68Y5012	158-0176-00			XTAL UNIT SET,Q:4,10 MHZ,0.001%,MATCHED,SER (OPT 03 ONLY,MTCHD SET W/Y1030, Y1045,Y7019)	33096	ORDER BY DESCR
A68Y5035	119-0969-00			FILTER,BANDPASS:XTAL,4 POLE ML (MATCHED SET WITH Y2043)	75378	965-0160
A68Y5046	119-0968-00			FILTER,BANDPASS:XTAL,6 POLE ML (MATCHED SET WITH Y2036,Y3046)	75378	965-0159
A68Y7019	158-0176-00			XTAL UNIT SET,Q:4,10 MHZ,0.001%,MATCHED,SER (OPT 03 ONLY,MTCHD SET W/Y1030, Y1045,Y5012)	33096	ORDER BY DESCR
A68A1	670-5536-01	B030000	B042199	CIRCUIT BD ASSY:#2 VR MOTHER	80009	670-5536-01
A68A1	670-5536-02	B042200	B053763	CIRCUIT BD ASSY:#2 VR MOTHER	80009	670-5536-02
A68A1	670-5536-03	B053764		CIRCUIT BD ASSY:#2 VR MOTHER	80009	670-5536-03
A68A1C2011	283-0111-00			CAP,FXD,CER DI:0.1UF,20%,50V	05397	C330C104M5U1CA
A68A1C2015	283-0111-00			CAP,FXD,CER DI:0.1UF,20%,50V	05397	C330C104M5U1CA
A68A1C2018	283-0111-00			CAP,FXD,CER DI:0.1UF,20%,50V	05397	C330C104M5U1CA
A68A1C2023	283-0204-00			CAP,FXD,CER DI:0.01UF,20%,50V	04222	SR155E103MAA
A68A1C2033	283-0204-00			CAP,FXD,CER DI:0.01UF,20%,50V	04222	SR155E103MAA
A68A1C3019	283-0111-00			CAP,FXD,CER DI:0.1UF,20%,50V	05397	C330C104M5U1CA
A68A1C3027	283-0111-00			CAP,FXD,CER DI:0.1UF,20%,50V	05397	C330C104M5U1CA
A68A1C3041	290-0340-00			CAP,FXD,ELCTLT:10UF,10%,50V	56289	109D106X9050C2
A68A1C3042	283-0111-00			CAP,FXD,CER DI:0.1UF,20%,50V	05397	C330C104M5U1CA
A68A1C4027	283-0111-00			CAP,FXD,CER DI:0.1UF,20%,50V	05397	C330C104M5U1CA
A68A1C4035	283-0204-00			CAP,FXD,CER DI:0.01UF,20%,50V	04222	SR155E103MAA
A68A1C4037	283-0204-00			CAP,FXD,CER DI:0.01UF,20%,50V	04222	SR155E103MAA
A68A1C4038	283-0204-00			CAP,FXD,CER DI:0.01UF,20%,50V	04222	SR155E103MAA
A68A1C4039	283-0111-00			CAP,FXD,CER DI:0.1UF,20%,50V	05397	C330C104M5U1CA
A68A1CR3022	152-0141-02			SEMICONV DVC,DI:SW,SI,30V,150MA,30V,DO-35	03508	DA2527 (1N4152)
A68A1CR3023	152-0141-02			SEMICONV DVC,DI:SW,SI,30V,150MA,30V,DO-35	03508	DA2527 (1N4152)
A68A1CR3024	152-0141-02			SEMICONV DVC,DI:SW,SI,30V,150MA,30V,DO-35	03508	DA2527 (1N4152)
A68A1CR3025	152-0141-02			SEMICONV DVC,DI:SW,SI,30V,150MA,30V,DO-35	03508	DA2527 (1N4152)
A68A1CR3026	152-0141-02			SEMICONV DVC,DI:SW,SI,30V,150MA,30V,DO-35	03508	DA2527 (1N4152)
A68A1CR3027	152-0141-02			SEMICONV DVC,DI:SW,SI,30V,150MA,30V,DO-35	03508	DA2527 (1N4152)
A68A1CR3031	152-0141-02			SEMICONV DVC,DI:SW,SI,30V,150MA,30V,DO-35	03508	DA2527 (1N4152)
A68A1CR3033	152-0141-02			SEMICONV DVC,DI:SW,SI,30V,150MA,30V,DO-35	03508	DA2527 (1N4152)
A68A1CR3034	152-0141-02			SEMICONV DVC,DI:SW,SI,30V,150MA,30V,DO-35	03508	DA2527 (1N4152)
A68A1CR4029	152-0141-02			SEMICONV DVC,DI:SW,SI,30V,150MA,30V,DO-35	03508	DA2527 (1N4152)

Component No.	Tektronix Part No.	Serial/Assembly No. Effective	Discont	Name & Description	Mfr. Code	Mfr. Part No.
A68A1E4039	276-0576-00	B030000	B042199	CORE, EM: TOROID, FERRITE	78488	#57-0047
A68A1L4025	108-0395-00			COIL, RF: FIXED, 64UH	80009	108-0395-00
A68A1L4031	108-0395-00			COIL, RF: FIXED, 64UH	80009	108-0395-00
A68A1Q3035	151-0302-00			TRANSISTOR: NPN, SI, TO-18	04713	ST899
A68A1Q3036	151-0136-00			TRANSISTOR: NPN, SI, TO-39	02735	35495
A68A1Q4035	151-0302-00			TRANSISTOR: NPN, SI, TO-18	04713	ST899
A68A1Q4037	151-0302-00			TRANSISTOR: NPN, SI, TO-18	04713	ST899
A68A1R2014	315-0102-00			RES, FXD, FILM: 1K OHM, 5%, 0.25W	57668	NTR25JE01KO
A68A1R2026	315-0470-00			RES, FXD, FILM: 47 OHM, 5%, 0.25W	57668	NTR25J-E47EO
A68A1R2031	311-0978-00			RES, VAR, NONWW: TRMR, 250 OHM, 0.5W	73138	82PR250-37C
A68A1R2033	321-0756-00			RES, FXD, FILM: 50K OHM, 1%, 0.125W, TC=TO	24546	NA55D5002F
A68A1R2035	321-0289-00			RES, FXD, FILM: 10.0K OHM, 1%, 0.125W, TC=TO	19701	5033ED10K0F
A68A1R2038	321-0289-00			RES, FXD, FILM: 10.0K OHM, 1%, 0.125W, TC=TO	19701	5033ED10K0F
A68A1R3014	315-0102-00			RES, FXD, FILM: 1K OHM, 5%, 0.25W	57668	NTR25JE01KO
A68A1R3015	315-0102-00			RES, FXD, FILM: 1K OHM, 5%, 0.25W	57668	NTR25JE01KO
A68A1R3019	311-0978-00			RES, VAR, NONWW: TRMR, 250 OHM, 0.5W	73138	82PR250-37C
A68A1R3020	321-0239-00	B030000	B053763	RES, FXD, FILM: 3.01K OHM, 1%, 0.125W, TC=TO	19701	5043ED3K010F
A68A1R3020	321-0298-00	B053764		RES, FXD, FILM: 12.4K OHM, 1%, 0.125W, TC=TO	07716	CEAD12401F
A68A1R3021	321-0239-00	B030000	B053763	RES, FXD, FILM: 3.01K OHM, 1%, 0.125W, TC=TO	19701	5043ED3K010F
A68A1R3021	321-0298-00	B053764		RES, FXD, FILM: 12.4K OHM, 1%, 0.125W, TC=TO	07716	CEAD12401F
A68A1R3022	311-0978-00			RES, VAR, NONWW: TRMR, 250 OHM, 0.5W	73138	82PR250-37C
A68A1R3023	321-0239-00	B030000	B053763	RES, FXD, FILM: 3.01K OHM, 1%, 0.125W, TC=TO	19701	5043ED3K010F
A68A1R3023	321-0298-00	B053764		RES, FXD, FILM: 12.4K OHM, 1%, 0.125W, TC=TO	07716	CEAD12401F
A68A1R3024	311-0978-00			RES, VAR, NONWW: TRMR, 250 OHM, 0.5W	73138	82PR250-37C
A68A1R3025	321-0239-00	B030000	B053763	RES, FXD, FILM: 3.01K OHM, 1%, 0.125W, TC=TO	19701	5043ED3K010F
A68A1R3025	321-0298-00	B053764		RES, FXD, FILM: 12.4K OHM, 1%, 0.125W, TC=TO	07716	CEAD12401F
A68A1R3026	311-0978-00			RES, VAR, NONWW: TRMR, 250 OHM, 0.5W	73138	82PR250-37C
A68A1R3027	321-0239-00	B030000	B053763	RES, FXD, FILM: 3.01K OHM, 1%, 0.125W, TC=TO	19701	5043ED3K010F
A68A1R3027	321-0298-00	B053764		RES, FXD, FILM: 12.4K OHM, 1%, 0.125W, TC=TO	07716	CEAD12401F
A68A1R3028	311-0978-00			RES, VAR, NONWW: TRMR, 250 OHM, 0.5W	73138	82PR250-37C
A68A1R3029	311-0978-00			RES, VAR, NONWW: TRMR, 250 OHM, 0.5W	73138	82PR250-37C
A68A1R3030	311-0978-00			RES, VAR, NONWW: TRMR, 250 OHM, 0.5W	73138	82PR250-37C
A68A1R3031	321-0239-00	B030000	B053763	RES, FXD, FILM: 3.01K OHM, 1%, 0.125W, TC=TO	19701	5043ED3K010F
A68A1R3031	321-0298-00	B053764		RES, FXD, FILM: 12.4K OHM, 1%, 0.125W, TC=TO	07716	CEAD12401F
A68A1R3032	311-0978-00			RES, VAR, NONWW: TRMR, 250 OHM, 0.5W	73138	82PR250-37C
A68A1R3033	321-0239-00	B030000	B053763	RES, FXD, FILM: 3.01K OHM, 1%, 0.125W, TC=TO	19701	5043ED3K010F
A68A1R3033	321-0298-00	B053764		RES, FXD, FILM: 12.4K OHM, 1%, 0.125W, TC=TO	07716	CEAD12401F
A68A1R3034	311-0978-00			RES, VAR, NONWW: TRMR, 250 OHM, 0.5W	73138	82PR250-37C
A68A1R3035	315-0103-00			RES, FXD, FILM: 10K OHM, 5%, 0.25W	19701	5043CX10K00J
A68A1R3036	321-0239-00	B030000	B053763	RES, FXD, FILM: 3.01K OHM, 1%, 0.125W, TC=TO	19701	5043ED3K010F
A68A1R3036	321-0298-00	B053764		RES, FXD, FILM: 12.4K OHM, 1%, 0.125W, TC=TO	07716	CEAD12401F
A68A1R3037	315-0222-00			RES, FXD, FILM: 2.2K OHM, 5%, 0.25W	57668	NTR25J-E02K2
A68A1R3038	321-0239-00			RES, FXD, FILM: 3.01K OHM, 1%, 0.125W, TC=TO	19701	5043ED3K010F
A68A1R3039	321-0260-00			RES, FXD, FILM: 4.99K OHM, 1%, 0.125W, TC=TO	19701	5033ED4K990F
A68A1R3041	321-0289-00			RES, FXD, FILM: 10.0K OHM, 1%, 0.125W, TC=TO	19701	5033ED10K0F
A68A1R3042	321-0289-00			RES, FXD, FILM: 10.0K OHM, 1%, 0.125W, TC=TO	19701	5033ED10K0F
A68A1R3043	315-0103-00			RES, FXD, FILM: 10K OHM, 5%, 0.25W	19701	5043CX10K00J
A68A1R3044	315-0103-00			RES, FXD, FILM: 10K OHM, 5%, 0.25W	19701	5043CX10K00J
A68A1R3045	315-0222-00			RES, FXD, FILM: 2.2K OHM, 5%, 0.25W	57668	NTR25J-E02K2
A68A1R4026	321-0239-00	B030000	B053763	RES, FXD, FILM: 3.01K OHM, 1%, 0.125W, TC=TO	19701	5043ED3K010F
A68A1R4026	321-0298-00	B053764		RES, FXD, FILM: 12.4K OHM, 1%, 0.125W, TC=TO	07716	CEAD12401F
A68A1R4029	315-0222-00			RES, FXD, FILM: 2.2K OHM, 5%, 0.25W	57668	NTR25J-E02K2
A68A1R4031	315-0103-00			RES, FXD, FILM: 10K OHM, 5%, 0.25W	19701	5043CX10K00J
A68A1R4039	315-0100-00	B042200		RES, FXD, FILM: 10 OHM, 5%, 0.25W	19701	5043CX10RRO0J
A68A1U3010	156-0913-02			MICROCKT, DGTL: OCTAL D FF W/ENABLE, SCRNL	01295	SN74LS377NP3
A68A1U3017	156-0913-02			MICROCKT, DGTL: OCTAL D FF W/ENABLE, SCRNL	01295	SN74LS377NP3
A68A1U3023	156-1235-00			MICROCKT, DGTL: LSTTL, BCD TO DEC DECODER/DR	01295	SN74LS145N3
A68A1U3038	156-0158-04			MICROCKT, LINEAR: DUAL OPNL AMPL	01295	MC1458JG

Replaceable Electrical Parts
492/492P Service Vol. 2 (B030000 & Up)

Component No.	Tektronix Part No.	Serial/Assembly No. Effective	Discnt	Name & Description	Mfr. Code	Mfr. Part No.
A68A1U4022	156-0469-02			MICROCKT,DGTL:3/8 LINE DCDR,SCRN	01295	SN74LS138NP3
A68A2	670-5534-01	B030000	B031129	CIRCUIT BD ASSY:2ND FILTER SELECT (492 ONLY,XTALS NOT INCL W/THIS CKT BD)	80009	670-5534-01
A68A2	670-5534-02	B031130	B042199	CIRCUIT BD ASSY:2ND FILTER SELECT (492 ONLY,XTALS NOT INCL W/THIS CKT BD)	80009	670-5534-02
A68A2	670-5534-04	B042200	B042399	CIRCUIT BD ASSY:2ND FILTER SELECT (492 ONLY,XTALS NOT INCL W/THIS CKT BD)	80009	670-5534-04
A68A2	670-5534-05	B042400	B042749	CIRCUIT BD ASSY:2ND FILTER SELECT (492 ONLY,XTALS NOT INCL W/THIS CKT BD)	80009	670-5534-05
A68A2	670-5534-06	B042750		CIRCUIT BD ASSY:2ND FILTER SELECT (492 ONLY,XTALS NOT INCL W/THIS CKT BD)	80009	670-5534-06
A68A2	670-5534-01	B030000	B031113	CIRCUIT BD ASSY:2ND FILTER SELECT (492P ONLY,XTALS NOT INCL W/THIS CKT BD)	80009	670-5534-01
A68A2	670-5534-02	B031114	B042199	CIRCUIT BD ASSY:2ND FILTER SELECT (492P ONLY,XTALS NOT INCL W/THIS CKT BD)	80009	670-5534-02
A68A2	670-5534-04	B042200	B042399	CIRCUIT BD ASSY:2ND FILTER SELECT (492P ONLY,XTALS NOT INCL W/THIS CKT BD)	80009	670-5534-04
A68A2	670-5534-05	B042400	B042749	CIRCUIT BD ASSY:2ND FILTER SELECT (492P ONLY,XTALS NOT INCL W/THIS CKT BD)	80009	670-5534-05
A68A2	670-5534-06	B042750		CIRCUIT BD ASSY:2ND FILTER SELECT (492P ONLY,XTALS NOT INCL W/THIS CKT BD)	80009	670-5534-06
A68A2C1015	283-0204-00			CAP,FXD,CER DI:0.01UF,20%,50V	04222	SR155E103MAA
A68A2C1025	283-0204-00			CAP,FXD,CER DI:0.01UF,20%,50V	04222	SR155E103MAA
A68A2C1035	283-0204-00			CAP,FXD,CER DI:0.01UF,20%,50V	04222	SR155E103MAA
A68A2C1041	283-0204-00			CAP,FXD,CER DI:0.01UF,20%,50V	04222	SR155E103MAA
A68A2C1047	283-0204-00			CAP,FXD,CER DI:0.01UF,20%,50V	04222	SR155E103MAA
A68A2C1059	283-0204-00			CAP,FXD,CER DI:0.01UF,20%,50V	04222	SR155E103MAA
A68A2C1060	283-0204-00			CAP,FXD,CER DI:0.01UF,20%,50V	04222	SR155E103MAA
A68A2C2016	283-0204-00			CAP,FXD,CER DI:0.01UF,20%,50V	04222	SR155E103MAA
A68A2C2018	283-0204-00			CAP,FXD,CER DI:0.01UF,20%,50V	04222	SR155E103MAA
A68A2C2019	283-0204-00			CAP,FXD,CER DI:0.01UF,20%,50V	04222	SR155E103MAA
A68A2C2028	283-0204-00			CAP,FXD,CER DI:0.01UF,20%,50V	04222	SR155E103MAA
A68A2C2030	283-0204-00			CAP,FXD,CER DI:0.01UF,20%,50V	04222	SR155E103MAA
A68A2C2033	283-0204-00			CAP,FXD,CER DI:0.01UF,20%,50V	04222	SR155E103MAA
A68A2C2041	283-0204-00			CAP,FXD,CER DI:0.01UF,20%,50V	04222	SR155E103MAA
A68A2C2050	281-0245-00			CAP,VAR,CER DI:7.5 TO 50PF,400V	91293	9694
A68A2C2054	283-0204-00			CAP,FXD,CER DI:0.01UF,20%,50V	04222	SR155E103MAA
A68A2C2063	283-0204-00			CAP,FXD,CER DI:0.01UF,20%,50V	04222	SR155E103MAA
A68A2C2064	283-0204-00			CAP,FXD,CER DI:0.01UF,20%,50V	04222	SR155E103MAA
A68A2C2070	283-0111-00			CAP,FXD,CER DI:0.1UF,20%,50V	05397	C330C104M5U1CA
A68A2C3025	283-0204-00			CAP,FXD,CER DI:0.01UF,20%,50V	04222	SR155E103MAA
A68A2C3048	281-0620-00			CAP,FXD,CER DI:21PF,1%,500V	52763	2RDPLZ007 Z1POLC
A68A2C3063	283-0204-00			CAP,FXD,CER DI:0.01UF,20%,50V	04222	SR155E103MAA
A68A2C3065	283-0204-00			CAP,FXD,CER DI:0.01UF,20%,50V	04222	SR155E103MAA
A68A2C3067	283-0204-00			CAP,FXD,CER DI:0.01UF,20%,50V	04222	SR155E103MAA
A68A2C4049	281-0529-00	B030000	B031129	CAP,FXD,CER DI:1.5PF,+/-25PF,500V (492 ONLY)	52763	2RDPLZ007 1P50CC
A68A2C4049	281-0619-00	B031130		CAP,FXD,CER DI:1.2PF,+/-0.1PF,500V (492 ONLY)	52763	2RDPLZ007 1P20BC
A68A2C4049	281-0523-00	B030000	B031113	CAP,FXD,CER DI:100PF,20%,350V (492P ONLY)	52763	2RDPLZ007 100PMU
A68A2C4049	281-0619-00	B031114		CAP,FXD,CER DI:1.2PF,+/-0.1PF,500V (492P ONLY)	52763	2RDPLZ007 1P20BC
A68A2C4050	283-0640-00	B030000	B042749	CAP,FXD,MICA DI:160PF,1%,100V	00853	D155F161F0
A68A2C4050	283-0899-00	B042750		CAP,FXD,CER DI:160PF,5%,50V	51642	300-050-NPO-161J
A68A2C5054	283-0640-00	B030000	B042749	CAP,FXD,MICA DI:160PF,1%,100V	00853	D155F161F0
A68A2C5054	283-0899-00	B042750		CAP,FXD,CER DI:160PF,5%,50V	51642	300-050-NPO-161J
A68A2C5055	281-0245-00			CAP,VAR,CER DI:7.5 TO 50PF,400V	91293	9694
A68A2C6011	281-0182-00			CAP,VAR,PLASTIC:1.8-10PF,500V	TK1727	2222-809-05002
A68A2C6020	283-0770-00			CAP,FXD,MICA DI:300 PF,1%,500V	00853	D155F301F0
A68A2C6052	281-0620-00			CAP,FXD,CER DI:21PF,1%,500V	52763	2RDPLZ007 Z1POLC

Component No.	Tektronix		Serial/Assembly No. Effective Dscont	Name & Description	Mfr.	
	Part No.				Code	Mfr. Part No.
A68A2C6053	283-0204-00			CAP,FXD,CER DI:0.01UF,20%,50V	04222	SR155E103MAA
A68A2C6064	283-0204-00			CAP,FXD,CER DI:0.01UF,20%,50V	04222	SR155E103MAA
A68A2C6065	283-0204-00			CAP,FXD,CER DI:0.01UF,20%,50V	04222	SR155E103MAA
A68A2C6072	283-0204-00			CAP,FXD,CER DI:0.01UF,20%,50V	04222	SR155E103MAA
A68A2C6073	283-0204-00			CAP,FXD,CER DI:0.01UF,20%,50V	04222	SR155E103MAA
A68A2C7011	281-0182-00			CAP,VAR,PLASTIC:1.8-10PF,500V	TK1727	2222-809-05002
A68A2C7061	283-0204-00			CAP,FXD,CER DI:0.01UF,20%,50V	04222	SR155E103MAA
A68A2C8016	283-0204-00			CAP,FXD,CER DI:0.01UF,20%,50V	04222	SR155E103MAA
A68A2C8025	283-0204-00			CAP,FXD,CER DI:0.01UF,20%,50V	04222	SR155E103MAA
A68A2C8027	283-0204-00			CAP,FXD,CER DI:0.01UF,20%,50V	04222	SR155E103MAA
A68A2C8040	283-0204-00			CAP,FXD,CER DI:0.01UF,20%,50V	04222	SR155E103MAA
A68A2C8045	283-0204-00			CAP,FXD,CER DI:0.01UF,20%,50V	04222	SR155E103MAA
A68A2C8046	283-0204-00			CAP,FXD,CER DI:0.01UF,20%,50V	04222	SR155E103MAA
A68A2C8057	283-0204-00			CAP,FXD,CER DI:0.01UF,20%,50V	04222	SR155E103MAA
A68A2C8061	283-0204-00			CAP,FXD,CER DI:0.01UF,20%,50V	04222	SR155E103MAA
A68A2C8075	283-0204-00			CAP,FXD,CER DI:0.01UF,20%,50V	04222	SR155E103MAA
A68A2CR1017	152-0107-00			SEMICON DVC,DI:RECT,SI,400 V,400MA,A1	12969	"G727"
A68A2CR1019	152-0107-00			SEMICON DVC,DI:RECT,SI,400 V,400MA,A1	12969	"G727"
A68A2CR1020	152-0107-00			SEMICON DVC,DI:RECT,SI,400 V,400MA,A1	12969	"G727"
A68A2CR1022	152-0107-00			SEMICON DVC,DI:RECT,SI,400 V,400MA,A1	12969	"G727"
A68A2CR1025	152-0107-00			SEMICON DVC,DI:RECT,SI,400 V,400MA,A1	12969	"G727"
A68A2CR1029	152-0107-00			SEMICON DVC,DI:RECT,SI,400 V,400MA,A1	12969	"G727"
A68A2CR1038	152-0107-00			SEMICON DVC,DI:RECT,SI,400 V,400MA,A1	12969	"G727"
A68A2CR1040	152-0107-00			SEMICON DVC,DI:RECT,SI,400 V,400MA,A1	12969	"G727"
A68A2CR1050	152-0107-00			SEMICON DVC,DI:RECT,SI,400 V,400MA,A1	12969	"G727"
A68A2CR1052	152-0107-00			SEMICON DVC,DI:RECT,SI,400 V,400MA,A1	12969	"G727"
A68A2CR7065	152-0107-00			SEMICON DVC,DI:RECT,SI,400 V,400MA,A1	12969	"G727"
A68A2CR7067	152-0107-00			SEMICON DVC,DI:RECT,SI,400 V,400MA,A1	12969	"G727"
A68A2CR7070	152-0107-00			SEMICON DVC,DI:RECT,SI,400 V,400MA,A1	12969	"G727"
A68A2CR7071	152-0107-00			SEMICON DVC,DI:RECT,SI,400 V,400MA,A1	12969	"G727"
A68A2CR8015	152-0107-00			SEMICON DVC,DI:RECT,SI,400 V,400MA,A1	12969	"G727"
A68A2CR8016	152-0107-00			SEMICON DVC,DI:RECT,SI,400 V,400MA,A1	12969	"G727"
A68A2CR8035	152-0107-00			SEMICON DVC,DI:RECT,SI,400 V,400MA,A1	12969	"G727"
A68A2CR8036	152-0107-00			SEMICON DVC,DI:RECT,SI,400 V,400MA,A1	12969	"G727"
A68A2CR8059	152-0107-00			SEMICON DVC,DI:RECT,SI,400 V,400MA,A1	12969	"G727"
A68A2CR8060	152-0107-00			SEMICON DVC,DI:RECT,SI,400 V,400MA,A1	12969	"G727"
A68A2L1019	108-0395-00			COIL,RF:FIXED,64UH	80009	108-0395-00
A68A2L1025	108-0395-00			COIL,RF:FIXED,64UH	80009	108-0395-00
A68A2L1032	108-0395-00			COIL,RF:FIXED,64UH	80009	108-0395-00
A68A2L1045	108-0395-00			COIL,RF:FIXED,64UH	80009	108-0395-00
A68A2L1055	108-0395-00			COIL,RF:FIXED,64UH	80009	108-0395-00
A68A2L2013	108-0395-00			COIL,RF:FIXED,64UH	80009	108-0395-00
A68A2L2075	108-0395-00			COIL,RF:FIXED,64UH	80009	108-0395-00
A68A2L3055	108-0964-00			COIL,RF:FIXED,1.2 UH	80009	108-0964-00
A68A2L4060	108-0964-00			COIL,RF:FIXED,1.2 UH	80009	108-0964-00
A68A2L6056	108-0395-00			COIL,RF:FIXED,64UH	80009	108-0395-00
A68A2L7075	108-0395-00			COIL,RF:FIXED,64UH	80009	108-0395-00
A68A2L8020	108-0395-00			COIL,RF:FIXED,64UH	80009	108-0395-00
A68A2L8040	108-0395-00			COIL,RF:FIXED,64UH	80009	108-0395-00
A68A2L8061	108-0395-00			COIL,RF:FIXED,64UH	80009	108-0395-00
A68A2L8070	108-0395-00			COIL,RF:FIXED,64UH	80009	108-0395-00
A68A2Q2020	151-0301-00			TRANSISTOR:P,NP,SI,TO-18	04713	ST898
A68A2Q2025	151-0301-00			TRANSISTOR:P,NP,SI,TO-18	04713	ST898
A68A2Q2035	151-0301-00			TRANSISTOR:P,NP,SI,TO-18	04713	ST898
A68A2Q2040	151-0301-00			TRANSISTOR:P,NP,SI,TO-18	04713	ST898
A68A2Q2055	151-0301-00			TRANSISTOR:P,NP,SI,TO-18	04713	ST898
A68A2Q6065	151-0301-00			TRANSISTOR:P,NP,SI,TO-18	04713	ST898
A68A2Q6075	151-0301-00			TRANSISTOR:P,NP,SI,TO-18	04713	ST898

Replaceable Electrical Parts
492/492P Service Vol. 2 (B030000 & Up)

Component No.	Tektronix Part No.	Serial/Assembly No. Effective	Dscont	Name & Description	Mfr. Code	Mfr. Part No.
A68A2Q7060	151-0301-00			TRANSISTOR:PNP,SI,TO-18	04713	ST898
A68A2Q8035	151-0301-00			TRANSISTOR:PNP,SI,TO-18	04713	ST898
A68A2Q8050	151-0301-00			TRANSISTOR:PNP,SI,TO-18	04713	ST898
A68A2R1033	315-0121-00			RES,FXD,FILM:120 OHM,5%,0.25W	19701	5043CX120R0J
A68A2R1035	315-0332-00			RES,FXD,FILM:3.3K OHM,5%,0.25W	57668	NTR25J-E03K3
A68A2R1050	315-0332-00			RES,FXD,FILM:3.3K OHM,5%,0.25W	57668	NTR25J-E03K3
A68A2R1055	315-0121-00			RES,FXD,FILM:120 OHM,5%,0.25W	19701	5043CX120R0J
A68A2R1059	315-0103-00			RES,FXD,FILM:10K OHM,5%,0.25W	19701	5043CX10K00J
A68A2R1065	311-0622-00			RES,VAR,NONWV:TRMR,100 OHM,0.5W	32997	3329H-L58-101
A68A2R1069	321-0713-00			RES,FXD,FILM:30 OHM,1%,0.125W,TC=TO	57668	CRB14 FXE 30 OHM
A68A2R2013	304-0681-00			RES,FXD,CMPSN:680 OHM,10%,1W	01121	GB6811
A68A2R2016	315-0121-00			RES,FXD,FILM:120 OHM,5%,0.25W	19701	5043CX120R0J
A68A2R2020	315-0332-00			RES,FXD,FILM:3.3K OHM,5%,0.25W	57668	NTR25J-E03K3
A68A2R2025	315-0121-00			RES,FXD,FILM:120 OHM,5%,0.25W	19701	5043CX120R0J
A68A2R2026	315-0332-00			RES,FXD,FILM:3.3K OHM,5%,0.25W	57668	NTR25J-E03K3
A68A2R2030	315-0103-00			RES,FXD,FILM:10K OHM,5%,0.25W	19701	5043CX10K00J
A68A2R2034	315-0103-00			RES,FXD,FILM:10K OHM,5%,0.25W	19701	5043CX10K00J
A68A2R2037	315-0103-00			RES,FXD,FILM:10K OHM,5%,0.25W	19701	5043CX10K00J
A68A2R2040	315-0332-00			RES,FXD,FILM:3.3K OHM,5%,0.25W	57668	NTR25J-E03K3
A68A2R2043	315-0121-00			RES,FXD,FILM:120 OHM,5%,0.25W	19701	5043CX120R0J
A68A2R2044	315-0103-00			RES,FXD,FILM:10K OHM,5%,0.25W	19701	5043CX10K00J
A68A2R2045	315-0103-00			RES,FXD,FILM:10K OHM,5%,0.25W	19701	5043CX10K00J
A68A2R2047	321-0054-00	B030000	B031129	RES,FXD,FILM:35.7 OHM,0.5%,0.125W,TC=TO MI (492 ONLY)	91637	CMF55116G35R70F
A68A2R2047	321-0037-00	B031130	B042199	RES,FXD,FILM:23.7 OHM,1%,0.125W,TC=TO (492 ONLY)	91637	CMF55116G23R70F
A68A2R2047	321-0054-00	B042200		RES,FXD,FILM:35.7 OHM,0.5%,0.125W,TC=TO MI (492 ONLY)	91637	CMF55116G35R70F
A68A2R2047	321-0054-00	B030000	B031113	RES,FXD,FILM:35.7 OHM,0.5%,0.125W,TC=TO MI (492P ONLY)	91637	CMF55116G35R70F
A68A2R2047	321-0037-00	B031114		RES,FXD,FILM:23.7 OHM,1%,0.125W,TC=TO (492P ONLY)	91637	CMF55116G23R70F
A68A2R2048	321-0114-00	B030000	B031129	RES,FXD,FILM:150 OHM,1%,0.125 W,TC=TO (492 ONLY)	19701	5033ED150R0F
A68A2R2048	321-0130-00	B031130	B042199	RES,FXD,FILM:221 OHM,1%,0.125W,TC=TO (492 ONLY)	19701	5043ED221R0F
A68A2R2048	321-0114-00	B042200		RES,FXD,FILM:150 OHM,1%,0.125 W,TC=TO (492 ONLY)	19701	5033ED150R0F
A68A2R2048	321-0114-00	B030000	B031113	RES,FXD,FILM:150 OHM,1%,0.125 W,TC=TO (492P ONLY)	19701	5033ED150R0F
A68A2R2048	321-0130-00	B031114	B042199	RES,FXD,FILM:221 OHM,1%,0.125W,TC=TO (492P ONLY)	19701	5043ED221R0F
A68A2R2049	321-0114-00	B030000	B031129	RES,FXD,FILM:150 OHM,1%,0.125 W,TC=TO (492 ONLY)	19701	5033ED150R0F
A68A2R2049	321-0130-00	B031130	B042199	RES,FXD,FILM:221 OHM,1%,0.125W,TC=TO (492 ONLY)	19701	5043ED221R0F
A68A2R2049	321-0114-00	B042200		RES,FXD,FILM:150 OHM,1%,0.125 W,TC=TO (492 ONLY)	19701	5033ED150R0F
A68A2R2049	321-0114-00	B030000	B031113	RES,FXD,FILM:150 OHM,1%,0.125 W,TC=TO (492P ONLY)	19701	5033ED150R0F
A68A2R2049	321-0130-00	B031114	B042199	RES,FXD,FILM:221 OHM,1%,0.125W,TC=TO (492P ONLY)	19701	5043ED221R0F
A68A2R2059	315-0103-00			RES,FXD,FILM:10K OHM,5%,0.25W	19701	5043CX10K00J
A68A2R2060	321-0114-00			RES,FXD,FILM:150 OHM,1%,0.125 W,TC=TO	19701	5033ED150R0F
A68A2R2065	321-0032-00			RES,FXD,FILM:21.0 OHM,1%,0.125W,TC=TO	57668	RB14FXE 21E0
A68A2R3015	311-0622-00			RES,VAR,NONWV:TRMR,100 OHM,0.5W	32997	3329H-L58-101
A68A2R3016	321-0114-00			RES,FXD,FILM:150 OHM,1%,0.125 W,TC=TO	19701	5033ED150R0F
A68A2R3019	321-0032-00			RES,FXD,FILM:21.0 OHM,1%,0.125W,TC=TO	57668	RB14FXE 21E0
A68A2R3020	321-0713-00			RES,FXD,FILM:30 OHM,1%,0.125W,TC=TO	57668	CRB14 FXE 30 OHM
A68A2R3022	315-0103-00			RES,FXD,FILM:10K OHM,5%,0.25W	19701	5043CX10K00J
A68A2R3024	315-0103-00			RES,FXD,FILM:10K OHM,5%,0.25W	19701	5043CX10K00J

Component No.	Tektronix Part No.	Serial/Assembly No.		Name & Description	Mfr. Code	Mfr. Part No.
		Effective	Dscont			
A68A2R3025	311-0622-00			RES, VAR, NONWV: TRMR, 100 OHM, 0.5W	32997	3329H-L58-101
A68A2R3028	315-0103-00			RES, FXD, FILM: 10K OHM, 5%, 0.25W	19701	5043CX10K00J
A68A2R3029	321-0032-00			RES, FXD, FILM: 21.0 OHM, 1%, 0.125W, TC=TO	57668	RB14FXE 21E0
A68A2R3031	321-0114-00			RES, FXD, FILM: 150 OHM, 1%, 0.125 W, TC=TO	19701	5033ED150R0F
A68A2R3035	311-0622-00			RES, VAR, NONWV: TRMR, 100 OHM, 0.5W	32997	3329H-L58-101
A68A2R3039	321-0032-00			RES, FXD, FILM: 21.0 OHM, 1%, 0.125W, TC=TO	57668	RB14FXE 21E0
A68A2R4016	321-0713-00			RES, FXD, FILM: 30 OHM, 1%, 0.125W, TC=TO	57668	CRB14 FXE 30 OHM
A68A2R4035	315-0300-00			RES, FXD, FILM: 30 OHM, 5%, 0.25W	19701	5043CX30R00J
A68A2R4037	321-0114-00			RES, FXD, FILM: 150 OHM, 1%, 0.125 W, TC=TO	19701	5033ED150R0F
A68A2R5074	315-0103-00			RES, FXD, FILM: 10K OHM, 5%, 0.25W	19701	5043CX10K00J
A68A2R5075	315-0103-00			RES, FXD, FILM: 10K OHM, 5%, 0.25W	19701	5043CX10K00J
A68A2R6060	315-0332-00			RES, FXD, FILM: 3.3K OHM, 5%, 0.25W	57668	NTR25J-E03K3
A68A2R6061	315-0121-00			RES, FXD, FILM: 120 OHM, 5%, 0.25W	19701	5043CX120R0J
A68A2R6065	315-0103-00			RES, FXD, FILM: 10K OHM, 5%, 0.25W	19701	5043CX10K00J
A68A2R6066	315-0103-00			RES, FXD, FILM: 10K OHM, 5%, 0.25W	19701	5043CX10K00J
A68A2R6070	315-0332-00			RES, FXD, FILM: 3.3K OHM, 5%, 0.25W	57668	NTR25J-E03K3
A68A2R6075	315-0121-00			RES, FXD, FILM: 120 OHM, 5%, 0.25W	19701	5043CX120R0J
A68A2R7060	315-0332-00			RES, FXD, FILM: 3.3K OHM, 5%, 0.25W	57668	NTR25J-E03K3
A68A2R7061	315-0103-00			RES, FXD, FILM: 10K OHM, 5%, 0.25W	19701	5043CX10K00J
A68A2R7062	315-0121-00			RES, FXD, FILM: 120 OHM, 5%, 0.25W	19701	5043CX120R0J
A68A2R7063	315-0103-00			RES, FXD, FILM: 10K OHM, 5%, 0.25W	19701	5043CX10K00J
A68A2R8026	315-0332-00			RES, FXD, FILM: 3.3K OHM, 5%, 0.25W	57668	NTR25J-E03K3
A68A2R8027	315-0121-00			RES, FXD, FILM: 120 OHM, 5%, 0.25W	19701	5043CX120R0J
A68A2R8030	315-0103-00			RES, FXD, FILM: 10K OHM, 5%, 0.25W	19701	5043CX10K00J
A68A2R8035	315-0103-00			RES, FXD, FILM: 10K OHM, 5%, 0.25W	19701	5043CX10K00J
A68A2R8046	315-0332-00			RES, FXD, FILM: 3.3K OHM, 5%, 0.25W	57668	NTR25J-E03K3
A68A2R8049	315-0121-00			RES, FXD, FILM: 120 OHM, 5%, 0.25W	19701	5043CX120R0J
A68A2R8050	315-0103-00			RES, FXD, FILM: 10K OHM, 5%, 0.25W	19701	5043CX10K00J
A68A2R8055	315-0103-00			RES, FXD, FILM: 10K OHM, 5%, 0.25W	19701	5043CX10K00J
A68A2R8070	304-0681-00			RES, FXD, CMPSN: 680 OHM, 10%, 1W	01121	GB6811
A68A2T4019	120-1241-00			TRANSFORMER, RF: TOROID	80009	120-1241-00
A68A2T4040	120-1338-00			TRANSFORMER, RF: TOROID	80009	120-1338-00
A68A2T5030	120-1237-00			TRANSFORMER, RF: TOROID	80009	120-1237-00
A68A2T6040	120-1237-00			TRANSFORMER, RF: TOROID	80009	120-1237-00
A68A2T6045	120-1338-00			TRANSFORMER, RF: TOROID	80009	120-1338-00
A68A2T7015	120-1241-00			TRANSFORMER, RF: TOROID	80009	120-1241-00
A68A2U3070	156-1235-00			MICROCKT, DGTL: LSTTL, BCD TO DEC DECODER/DR (Y5012, 45035, 45046, 47019 NOT INCLUDED WITH THIS CKT BRD SEE A68 FOR REPLACEABLE PART NUMBERS)	01295	SN74LS145N3
A68A3	670-5533-02	B030000	B053763	CIRCUIT BD ASSY: BAND LEVELING (OPTION 03 ONLY)	80009	670-5533-02
A68A3	670-5533-03	B053764		CIRCUIT BD ASSY: BAND LEVELING (OPTION 03 ONLY)	80009	670-5533-03
A68A3C1015	283-0111-00			CAP, FXD, CER DI: 0.1UF, 20%, 50V	05397	C330C104M5U1CA
A68A3C1017	283-0111-00			CAP, FXD, CER DI: 0.1UF, 20%, 50V	05397	C330C104M5U1CA
A68A3C1021	283-0107-00			CAP, FXD, CER DI: 51PF, 5%, 200V	04222	SR206A51QJAA
A68A3C1025	283-0111-00			CAP, FXD, CER DI: 0.1UF, 20%, 50V	05397	C330C104M5U1CA
A68A3C1032	283-0111-00			CAP, FXD, CER DI: 0.1UF, 20%, 50V	05397	C330C104M5U1CA
A68A3C1035	283-0111-00			CAP, FXD, CER DI: 0.1UF, 20%, 50V	05397	C330C104M5U1CA
A68A3C1039	283-0107-00			CAP, FXD, CER DI: 51PF, 5%, 200V	04222	SR206A51QJAA
A68A3C1044	283-0111-00			CAP, FXD, CER DI: 0.1UF, 20%, 50V	05397	C330C104M5U1CA
A68A3C2018	283-0111-00			CAP, FXD, CER DI: 0.1UF, 20%, 50V	05397	C330C104M5U1CA
A68A3C2023	283-0111-00			CAP, FXD, CER DI: 0.1UF, 20%, 50V	05397	C330C104M5U1CA
A68A3C2028	283-0204-00			CAP, FXD, CER DI: 0.01UF, 20%, 50V	04222	SR155E103MAA
A68A3C2033	283-0111-00			CAP, FXD, CER DI: 0.1UF, 20%, 50V	05397	C330C104M5U1CA
A68A3C2034	283-0111-00			CAP, FXD, CER DI: 0.1UF, 20%, 50V	05397	C330C104M5U1CA
A68A3C2042	283-0111-00			CAP, FXD, CER DI: 0.1UF, 20%, 50V	05397	C330C104M5U1CA
A68A3C2043	283-0204-00			CAP, FXD, CER DI: 0.01UF, 20%, 50V	04222	SR155E103MAA

Replaceable Electrical Parts
492/492P Service Vol. 2 (B030000 & Up)

Component No.	Tektronix Part No.	Serial/Assembly No. Effective	Discont	Name & Description	Mfr. Code	Mfr. Part No.
A68A3C2046	283-0111-00			CAP,FXD,CER DI:0.1UF,20%,50V	05397	C330C104M5U1CA
A68A3CR2021	152-0524-00			SEMICONDCVC,DI:SW,SI,100V,0.1A,DO-35	28480	5082-1779
A68A3Q1025	151-0282-00			TRANSISTOR:NPN,SI,TO-72	04713	SRF2625
A68A3Q1031	151-0282-00			TRANSISTOR:NPN,SI,TO-72	04713	SRF2625
A68A3Q1033	151-0282-00			TRANSISTOR:NPN,SI,TO-72	04713	SRF2625
A68A3Q1041	151-0650-00			TRANSISTOR:NPN,SI,TO-39	50545	2SC1252
A68A3Q2015	151-0282-00			TRANSISTOR:NPN,SI,TO-72	04713	SRF2625
A68A3Q2016	151-0283-00			TRANSISTOR:NPN,SI,TO-72	04713	SRF478
A68A3Q2019	151-0282-00			TRANSISTOR:NPN,SI,TO-72	04713	SRF2625
A68A3Q2046	151-0301-00			TRANSISTOR:PNP,SI,TO-18	04713	ST898
A68A3R1013	321-0130-00			RES,FXD,FILM:221 OHM,1%,0.125W,TC=TO	19701	5043ED221ROF
A68A3R1014	317-0390-00			RES,FXD,CMPSN:39 OHM,5%,0.125W	01121	BB3905
A68A3R1015	315-0681-00			RES,FXD,FILM:680 OHM,5%,0.25W	57668	NTR25J-E680E
A68A3R1016	317-0101-00			RES,FXD,CMPSN:100 OHM,5%,0.125W	01121	BB1015
A68A3R1017	315-0390-00			RES,FXD,FILM:39 OHM,5%,0.25W	57668	NTR25J-E39E0
A68A3R1019	315-0390-00			RES,FXD,FILM:39 OHM,5%,0.25W	57668	NTR25J-E39E0
A68A3R1024	315-0681-00			RES,FXD,FILM:680 OHM,5%,0.25W	57668	NTR25J-E680E
A68A3R1025	321-0164-00			RES,FXD,FILM:499 OHM,1%,0.125W,TC=TO	19701	5033ED499ROF
A68A3R1026	321-0194-00			RES,FXD,FILM:1.02K OHM,1%,0.125W,TC=TO	07716	CEAD10200F
A68A3R1027	321-0065-00			RES,FXD,FILM:46.4 OHM,1%,0.125W,TC=TO	57668	RB14FXE 46E4
A68A3R1028	315-0471-00			RES,FXD,FILM:470 OHM,5%,0.25W	57668	NTR25J-E470E
A68A3R1029	317-0390-00			RES,FXD,CMPSN:39 OHM,5%,0.125W	01121	BB3905
A68A3R1031	321-0130-00			RES,FXD,FILM:221 OHM,1%,0.125W,TC=TO	19701	5043ED221ROF
A68A3R1033	315-0681-00			RES,FXD,FILM:680 OHM,5%,0.25W	57668	NTR25J-E680E
A68A3R1035	315-0681-00			RES,FXD,FILM:680 OHM,5%,0.25W	57668	NTR25J-E680E
A68A3R1036	315-0220-00			RES,FXD,FILM:22 OHM,5%,0.25W	19701	5043CX22R00J
A68A3R1037	315-0220-00			RES,FXD,FILM:22 OHM,5%,0.25W	19701	5043CX22R00J
A68A3R1038	317-0101-00			RES,FXD,CMPSN:100 OHM,5%,0.125W	01121	BB1015
A68A3R1044	315-0101-00			RES,FXD,FILM:100 OHM,5%,0.25W	57668	NTR25J-E 100E
A68A3R1046	321-0065-00			RES,FXD,FILM:46.4 OHM,1%,0.125W,TC=TO	57668	RB14FXE 46E4
A68A3R1047	315-0101-00			RES,FXD,FILM:100 OHM,5%,0.25W	57668	NTR25J-E 100E
A68A3R1048	321-0164-00			RES,FXD,FILM:499 OHM,1%,0.125W,TC=TO	19701	5033ED499ROF
A68A3R2017	315-0152-00			RES,FXD,FILM:1.5K OHM,5%,0.25W	57668	NTR25J-E01K5
A68A3R2018	315-0152-00			RES,FXD,FILM:1.5K OHM,5%,0.25W	57668	NTR25J-E01K5
A68A3R2021	315-0470-00			RES,FXD,FILM:47 OHM,5%,0.25W	57668	NTR25J-E47E0
A68A3R2024	321-0058-00	B030000	B053763	RES,FXD,FILM:39.2 OHM,0.5%,0.125W,TC=TO	91637	CMF55116G39R20F
A68A3R2024	321-0041-00	B053764		RES,FXD,FILM:26.1 OHM,1%,0.125W,TC=TO	91637	CMF55116G26R10F
A68A3R2025	321-0234-00			RES,FXD,FILM:2.67K OHM,1%,0.125W,TC=TO	19701	5033ED2K67F
A68A3R2026	317-0470-00			RES,FXD,CMPSN:47 OHM,5%,0.125W	01121	BB4705
A68A3R2028	317-0470-00			RES,FXD,CMPSN:47 OHM,5%,0.125W	01121	BB4705
A68A3R2031	315-0470-00			RES,FXD,FILM:47 OHM,5%,0.25W	57668	NTR25J-E47E0
A68A3R2033	315-0152-00			RES,FXD,FILM:1.5K OHM,5%,0.25W	57668	NTR25J-E01K5
A68A3R2034	315-0152-00			RES,FXD,FILM:1.5K OHM,5%,0.25W	57668	NTR25J-E01K5
A68A3R2036	321-0151-00			RES,FXD,FILM:365 OHM,1%,0.125W,TC=TO	07716	CEAD365ROF
A68A3R2037	315-0102-00			RES,FXD,FILM:1K OHM,5%,0.25W	57668	NTR25JE01K0
A68A3R2038	315-0821-00			RES,FXD,FILM:820 OHM,5%,0.25W	19701	5043CX820R0J
A68A3R2041	315-0104-00			RES,FXD,FILM:100K OHM,5%,0.25W	57668	NTR25J-E100K
A68A3R2042	321-0051-00			RES,FXD,FILM:33.2 OHM,1%,0.125W,TC=TO	91637	CMF55116G33R20F
A68A3R2043	315-0471-00			RES,FXD,FILM:470 OHM,5%,0.25W	57668	NTR25J-E470E
A68A3R2045	315-0471-00			RES,FXD,FILM:470 OHM,5%,0.25W	57668	NTR25J-E470E
A68A3R2046	317-0103-00			RES,FXD,CMPSN:10K OHM,5%,0.125W	01121	BB1035
A68A3T2013	120-0902-00			XFMR,TOROID	80009	120-0902-00
A68A4	670-5535-01			CIRCUIT BD ASSY:POST VR AMPL	80009	670-5535-01
A68A4C1022	281-0167-00			CAP,VAR,CER DI:9-45PF,200V	33095	53-717-001 D9-45
A68A4C1023	283-0642-00			CAP,FXD,MICA DI:33PF,+/-0.5PF,300V	00853	D105E330G0
A68A4C1029	283-0111-00			CAP,FXD,CER DI:0.1UF,20%,50V	05397	C330C104M5U1CA
A68A4C1033	283-0204-00			CAP,FXD,CER DI:0.01UF,20%,50V	04222	SR155E103MAA
A68A4C1044	283-0111-00			CAP,FXD,CER DI:0.1UF,20%,50V	05397	C330C104M5U1CA

Component No.	Tektronix		Serial/Assembly No.		Name & Description	Mfr. Code	Mfr. Part No.
	Part No.	Effective	Dscont				
A68A4C1052	283-0204-00				CAP, FXD, CER DI: 0.01UF, 20%, 50V	04222	SR155E103MAA
A68A4C2018	283-0628-00				CAP, FXD, MICA DI: 410PF, 1%, 500V	00853	D155F411FO
A68A4C2023	283-0691-00				CAP, FXD, MICA DI: 650PF, 1%, 300V	00853	D153F651FO
A68A4C2025	283-0642-00				CAP, FXD, MICA DI: 33PF, +/-0.5PF, 300V	00853	D105E330G0
A68A4C2026	281-0167-00				CAP, VAR, CER DI: 9-45PF, 200V	33095	53-717-001 D9-45
A68A4C2033	283-0628-00				CAP, FXD, MICA DI: 410PF, 1%, 500V	00853	D155F411FO
A68A4C2038	283-0204-00				CAP, FXD, CER DI: 0.01UF, 20%, 50V	04222	SR155E103MAA
A68A4C2052	283-0204-00				CAP, FXD, CER DI: 0.01UF, 20%, 50V	04222	SR155E103MAA
A68A4C2053	283-0204-00				CAP, FXD, CER DI: 0.01UF, 20%, 50V	04222	SR155E103MAA
A68A4L2021	108-1042-00				COIL, RF: FXD, 4.7UH	80009	108-1042-00
A68A4L2031	108-1042-00				COIL, RF: FXD, 4.7UH	80009	108-1042-00
A68A4Q1048	151-0446-00				TRANSISTOR: NPN, SI, TO-39	04713	SRF2320
A68A4Q2056	151-0302-00				TRANSISTOR: NPN, SI, TO-18	04713	ST899
A68A4R1029	315-0470-00				RES, FXD, FILM: 47 OHM, 5%, 0.25W	57668	NTR25J-E47E0
A68A4R1039	315-0221-00				RES, FXD, FILM: 220 OHM, 5%, 0.25W	57668	NTR25J-E220E
A68A4R1052	315-0561-00				RES, FXD, FILM: 560 OHM, 5%, 0.25W	19701	5043CX560R0J
A68A4R1058	315-0361-00				RES, FXD, FILM: 360 OHM, 5%, 0.25W	19701	5043CX360R0J
A68A4R2036	321-0114-00				RES, FXD, FILM: 150 OHM, 1%, 0.125 W, TC=TO	19701	5033ED150R0F
A68A4R2038	311-0622-00				RES, VAR, NONWW: TRMR, 100 OHM, 0.5W	32997	3329H-L58-101
A68A4R2041	315-0681-00				RES, FXD, FILM: 680 OHM, 5%, 0.25W	57668	NTR25J-E680E
A68A4R2042	315-0220-00				RES, FXD, FILM: 22 OHM, 5%, 0.25W	19701	5043CX22R00J
A68A4R2043	321-0001-00				RES, FXD, FILM: 10 OHM, 1%, 0.125W, TC=TO	19701	5033RD10R00FMS
A68A4R2044	301-0821-00				RES, FXD, FILM: 820 OHM, 5%, 0.5W	19701	5053CX820R0J
A68A4R2045	301-0821-00				RES, FXD, FILM: 820 OHM, 5%, 0.5W	19701	5053CX820R0J
A68A4R2052	315-0681-00				RES, FXD, FILM: 680 OHM, 5%, 0.25W	57668	NTR25J-E680E
A68A4R2062	321-0130-00				RES, FXD, FILM: 221 OHM, 1%, 0.125W, TC=TO	19701	5043ED221R0F
A68A4T1038	120-0459-00				XFMR, TOROID:	80009	120-0459-00
A68A4T1059	120-1237-00				TRANSFORMER, RF: TOROID	80009	120-1237-00
A68A4T2063	120-0902-00				XFMR, TOROID:	80009	120-0902-00
A68A5	670-5528-01	B030000	B042199		CIRCUIT BD ASSY:#1 VR MOTHER	80009	670-5528-01
A68A5	670-5528-02	B042200	B055479		CIRCUIT BD ASSY:#1 VR MOTHER	80009	670-5528-02
A68A5	670-5528-03	B055480			CIRCUIT BD ASSY:#1VR MOTHER	80009	670-5528-03
A68A5C1066	283-0111-00				CAP, FXD, CER DI: 0.1UF, 20%, 50V	05397	C330C104MSU1CA
A68A5C1067	283-0111-00				CAP, FXD, CER DI: 0.1UF, 20%, 50V	05397	C330C104MSU1CA
A68A5C1068	283-0111-00				CAP, FXD, CER DI: 0.1UF, 20%, 50V	05397	C330C104MSU1CA
A68A5C1069	283-0111-00				CAP, FXD, CER DI: 0.1UF, 20%, 50V	05397	C330C104MSU1CA
A68A5C1075	283-0111-00				CAP, FXD, CER DI: 0.1UF, 20%, 50V	05397	C330C104MSU1CA
A68A5C1082	283-0111-00				CAP, FXD, CER DI: 0.1UF, 20%, 50V	05397	C330C104MSU1CA
A68A5C1083	283-0111-00				CAP, FXD, CER DI: 0.1UF, 20%, 50V	05397	C330C104MSU1CA
A68A5C1084	283-0111-00				CAP, FXD, CER DI: 0.1UF, 20%, 50V	05397	C330C104MSU1CA
A68A5C1085	283-0111-00				CAP, FXD, CER DI: 0.1UF, 20%, 50V	05397	C330C104MSU1CA
A68A5C2076	283-0111-00				CAP, FXD, CER DI: 0.1UF, 20%, 50V	05397	C330C104MSU1CA
A68A5C2086	283-0111-00				CAP, FXD, CER DI: 0.1UF, 20%, 50V	05397	C330C104MSU1CA
A68A5C2088	283-0111-00				CAP, FXD, CER DI: 0.1UF, 20%, 50V	05397	C330C104MSU1CA
A68A5C3019	283-0111-00				CAP, FXD, CER DI: 0.1UF, 20%, 50V	05397	C330C104MSU1CA
A68A5C3025	283-0204-00				CAP, FXD, CER DI: 0.01UF, 20%, 50V	04222	SR155E103MAA
A68A5C3026	283-0111-00				CAP, FXD, CER DI: 0.1UF, 20%, 50V	05397	C330C104MSU1CA
A68A5C3027	283-0204-00				CAP, FXD, CER DI: 0.01UF, 20%, 50V	04222	SR155E103MAA
A68A5C3028	283-0111-00				CAP, FXD, CER DI: 0.1UF, 20%, 50V	05397	C330C104MSU1CA
A68A5C3029	283-0111-00				CAP, FXD, CER DI: 0.1UF, 20%, 50V	05397	C330C104MSU1CA
A68A5C3035	283-0111-00				CAP, FXD, CER DI: 0.1UF, 20%, 50V	05397	C330C104MSU1CA
A68A5C3042	283-0204-00				CAP, FXD, CER DI: 0.01UF, 20%, 50V	04222	SR155E103MAA
A68A5C3043	283-0111-00				CAP, FXD, CER DI: 0.1UF, 20%, 50V	05397	C330C104MSU1CA
A68A5C3048	283-0111-00				CAP, FXD, CER DI: 0.1UF, 20%, 50V	05397	C330C104MSU1CA
A68A5C3049	283-0111-00				CAP, FXD, CER DI: 0.1UF, 20%, 50V	05397	C330C104MSU1CA
A68A5C3062	283-0204-00				CAP, FXD, CER DI: 0.01UF, 20%, 50V	04222	SR155E103MAA
A68A5C3065	283-0204-00				CAP, FXD, CER DI: 0.01UF, 20%, 50V	04222	SR155E103MAA
A68A5C3077	283-0204-00				CAP, FXD, CER DI: 0.01UF, 20%, 50V	04222	SR155E103MAA

Replaceable Electrical Parts
492/492P Service Vol. 2 (B030000 & Up)

Component No.	Tektronix Part No.	Serial/Assembly No. Effective	Discnt	Name & Description	Mfr. Code	Mfr. Part No.
A68A5C3083	283-0204-00	B030000	B042199	CAP,FXD,CER DI:0.01UF,20%,50V	04222	SR155E103MAA
A68A5C3088	283-0111-00	B030000	B042199	CAP,FXD,CER DI:0.1UF,20%,50V	05397	C330C104M5U1CA
A68A5L3065	108-0395-00			COIL,RF:FIXED,64UH	80009	108-0395-00
A68A5L3066	108-0395-00			COIL,RF:FIXED,64UH	80009	108-0395-00
A68A5R1065	315-0100-00			RES,FXD,FILM:10 OHM,5%,0.25W	19701	5043CX10RR00J
A68A5R1066	315-0100-00			RES,FXD,FILM:10 OHM,5%,0.25W	19701	5043CX10RR00J
A68A5R1067	315-0100-00			RES,FXD,FILM:10 OHM,5%,0.25W	19701	5043CX10RR00J
A68A5R1068	315-0100-00			RES,FXD,FILM:10 OHM,5%,0.25W	19701	5043CX10RR00J
A68A5R1075	315-0100-00			RES,FXD,FILM:10 OHM,5%,0.25W	19701	5043CX10RR00J
A68A5R1082	315-0100-00			RES,FXD,FILM:10 OHM,5%,0.25W	19701	5043CX10RR00J
A68A5R1083	315-0100-00			RES,FXD,FILM:10 OHM,5%,0.25W	19701	5043CX10RR00J
A68A5R1084	315-0100-00			RES,FXD,FILM:10 OHM,5%,0.25W	19701	5043CX10RR00J
A68A5R1085	315-0100-00			RES,FXD,FILM:10 OHM,5%,0.25W	19701	5043CX10RR00J
A68A5R2076	315-0100-00			RES,FXD,FILM:10 OHM,5%,0.25W	19701	5043CX10RR00J
A68A5R2086	315-0100-00			RES,FXD,FILM:10 OHM,5%,0.25W	19701	5043CX10RR00J
A68A5R2088	315-0100-00			RES,FXD,FILM:10 OHM,5%,0.25W	19701	5043CX10RR00J
A68A5R3019	315-0270-00			RES,FXD,FILM:27 OHM,5%,0.25W	19701	5043CX27R00J
A68A5R3026	315-0100-00			RES,FXD,FILM:10 OHM,5%,0.25W	19701	5043CX10RR00J
A68A5R3028	315-0100-00			RES,FXD,FILM:10 OHM,5%,0.25W	19701	5043CX10RR00J
A68A5R3029	315-0100-00			RES,FXD,FILM:10 OHM,5%,0.25W	19701	5043CX10RR00J
A68A5R3035	315-0100-00			RES,FXD,FILM:10 OHM,5%,0.25W	19701	5043CX10RR00J
A68A5R3043	315-0100-00			RES,FXD,FILM:10 OHM,5%,0.25W	19701	5043CX10RR00J
A68A5R3048	307-0106-00			RES,FXD,CMPSN:4.7 OHM,5%,0.25W	01121	CB 47G5
A68A5R3049	315-0100-00			RES,FXD,FILM:10 OHM,5%,0.25W	19701	5043CX10RR00J
A68A5R3081	315-0101-00			RES,FXD,FILM:100 OHM,5%,0.25W	57668	NTR25J-E 100E
A68A6	670-5529-01			CIRCUIT BD ASSY:VR INPUT	80009	670-5529-01
A68A6C1016	283-0111-00			CAP,FXD,CER DI:0.1UF,20%,50V	05397	C330C104M5U1CA
A68A6C1019	283-0111-00			CAP,FXD,CER DI:0.1UF,20%,50V	05397	C330C104M5U1CA
A68A6C1022	283-0111-00			CAP,FXD,CER DI:0.1UF,20%,50V	05397	C330C104M5U1CA
A68A6C1025	283-0111-00			CAP,FXD,CER DI:0.1UF,20%,50V	05397	C330C104M5U1CA
A68A6C1026	281-0167-00			CAP,VAR,CER DI:9-45PF,200V	33095	53-717-001 D9-45
A68A6C1031	283-0647-00			CAP,FXD,MICA DI:70PF,1%,100V	00853	D155E700F0
A68A6C1032	283-0634-00			CAP,FXD,MICA DI:65PF,1%,100V	00853	D155E650F0
A68A6C1033	281-0167-00			CAP,VAR,CER DI:9-45PF,200V	33095	53-717-001 D9-45
A68A6C1035	281-0577-00			CAP,FXD,CER DI:14PF,5%,500V	52763	2RDPPLZ007 14PQJ
A68A6C1036	283-0634-00			CAP,FXD,MICA DI:65PF,1%,100V	00853	D155E650F0
A68A6C1037	283-0647-00			CAP,FXD,MICA DI:70PF,1%,100V	00853	D155E700F0
A68A6L1018	108-0395-00			COIL,RF:FIXED,64UH	80009	108-0395-00
A68A6L1027	108-0701-00			COIL,RF:FIXED,1.45UH	80009	108-0701-00
A68A6L1033	108-0701-00			COIL,RF:FIXED,1.45UH	80009	108-0701-00
A68A6Q1023	151-0650-00			TRANSISTOR:NPN,SI,TO-39	S0545	2SC1252
A68A6R1014	321-0114-00			RES,FXD,FILM:150 OHM,1%,0.125 W,TC=T0	19701	5033ED150ROF
A68A6R1015	321-0114-00			RES,FXD,FILM:150 OHM,1%,0.125 W,TC=T0	19701	5033ED150ROF
A68A6R1016	321-0054-00			RES,FXD,FILM:35.7 OHM,0.5%,0.125W,TC=T0 MI	91637	CMF55116G35R70F
A68A6R1022	315-0270-00			RES,FXD,FILM:27 OHM,5%,0.25W	19701	5043CX27R00J
A68A6R1023	307-0113-00			RES,FXD,CMPSN:5.1 OHM,5%,0.25W	01121	CB51G5
A68A6R1024	315-0911-00			RES,FXD,FILM:910 OHM,5%,0.25W	57668	NTR25J-E910E
A68A6R1025	315-0102-00			RES,FXD,FILM:1K OHM,5%,0.25W	57668	NTR25JE01K0
A68A6R1026	315-0511-00			RES,FXD,FILM:510 OHM,5%,0.25W	19701	5043CX510R0J
A68A6T1019	120-0459-00			XFMR,TOROID:	80009	120-0459-00
A68A7	670-5530-01	B030000	B031129	CIRCUIT BD ASSY:1ST FILTER SELECT (492 ONLY,XTALS NOT INCL W/THIS CKT BD)	80009	670-5530-01
A68A7	670-5530-02	B031130	B042199	CIRCUIT BD ASSY:1ST FILTER SELECT (492 ONLY,XTALS NOT INCL W/THIS CKT BD)	80009	670-5530-02
A68A7	670-5530-03	B042200	B042749	CIRCUIT BD ASSY:1ST FILTER SELECT (492 ONLY,XTALS NOT INCL W/THIS CKT BD)	80009	670-5530-03
A68A7	670-5530-04	B042750	B055938	CIRCUIT BD ASSY:1ST FILTER SELECT (492 ONLY,XTALS NOT INCL W/THIS CKT BD)	80009	670-5530-04

Component No.	Tektronix Part No.	Serial/Assembly No. Effective	Dscont	Name & Description	Mfr. Code	Mfr. Part No.
A68A7	670-5530-06	B055939		CIRCUIT BD ASSY:1ST FILTER SELECT (492 ONLY,XTALS NOT INCL W/THIS CKT BD)	80009	670-5530-06
A68A7	670-5530-01	B030000	B031113	CIRCUIT BD ASSY:1ST FILTER SELECT (492P ONLY,XTALS NOT INCL W/THIS CKT BD)	80009	670-5530-01
A68A7	670-5530-02	B031114	B042199	CIRCUIT BD ASSY:1ST FILTER SELECT (492P ONLY,XTALS NOT INCL W/THIS CKT BD)	80009	670-5530-02
A68A7	670-5530-03	B042200	B042749	CIRCUIT BD ASSY:1ST FILTER SELECT (492P ONLY,XTALS NOT INCL W/THIS CKT BD)	80009	670-5530-03
A68A7	670-5530-04	B042750	B055938	CIRCUIT BD ASSY:1ST FILTER SELECT (492P ONLY,XTALS NOT INCL W/THIS CKT BD)	80009	670-5530-04
A68A7	670-5530-06	B055939		CIRCUIT BD ASSY:1ST FILTER SELECT (492P ONLY,XTALS NOT INCL W/THIS CKT BD)	80009	670-5530-06
A68A7C1014	283-0204-00			CAP,FXD,CER DI:0.01UF,20%,50V	04222	SR155E103MAA
A68A7C1015	283-0204-00			CAP,FXD,CER DI:0.01UF,20%,50V	04222	SR155E103MAA
A68A7C1016	283-0204-00			CAP,FXD,CER DI:0.01UF,20%,50V	04222	SR155E103MAA
A68A7C1017	283-0204-00			CAP,FXD,CER DI:0.01UF,20%,50V	04222	SR155E103MAA
A68A7C1021	283-0204-00			CAP,FXD,CER DI:0.01UF,20%,50V	04222	SR155E103MAA
A68A7C1030	281-0182-00			CAP,VAR,PLASTIC:1.8-10PF,500V	TK1727	2222-809-05002
A68A7C1035	281-0182-00			CAP,VAR,PLASTIC:1.8-10PF,500V	TK1727	2222-809-05002
A68A7C1054	283-0204-00			CAP,FXD,CER DI:0.01UF,20%,50V	04222	SR155E103MAA
A68A7C1055	283-0204-00			CAP,FXD,CER DI:0.01UF,20%,50V	04222	SR155E103MAA
A68A7C1056	283-0204-00			CAP,FXD,CER DI:0.01UF,20%,50V	04222	SR155E103MAA
A68A7C1060	283-0204-00			CAP,FXD,CER DI:0.01UF,20%,50V	04222	SR155E103MAA
A68A7C2012	283-0204-00			CAP,FXD,CER DI:0.01UF,20%,50V	04222	SR155E103MAA
A68A7C2013	283-0204-00			CAP,FXD,CER DI:0.01UF,20%,50V	04222	SR155E103MAA
A68A7C2015	283-0204-00			CAP,FXD,CER DI:0.01UF,20%,50V	04222	SR155E103MAA
A68A7C2016	283-0204-00			CAP,FXD,CER DI:0.01UF,20%,50V	04222	SR155E103MAA
A68A7C2017	283-0204-00			CAP,FXD,CER DI:0.01UF,20%,50V	04222	SR155E103MAA
A68A7C2019	283-0204-00			CAP,FXD,CER DI:0.01UF,20%,50V	04222	SR155E103MAA
A68A7C2020	283-0204-00			CAP,FXD,CER DI:0.01UF,20%,50V	04222	SR155E103MAA
A68A7C2029	283-0770-00			CAP,FXD,MICA DI:300 PF,1%,500V	00853	D155F301F0
A68A7C2037	281-0221-00			CAP,VAR,CER DI:2-10PF,100V	72982	0513013A 2 0-10
A68A7C2051	283-0204-00			CAP,FXD,CER DI:0.01UF,20%,50V	04222	SR155E103MAA
A68A7C2054	283-0204-00			CAP,FXD,CER DI:0.01UF,20%,50V	04222	SR155E103MAA
A68A7C2057	283-0204-00			CAP,FXD,CER DI:0.01UF,20%,50V	04222	SR155E103MAA
A68A7C2058	283-0204-00			CAP,FXD,CER DI:0.01UF,20%,50V	04222	SR155E103MAA
A68A7C2060	283-0204-00			CAP,FXD,CER DI:0.01UF,20%,50V	04222	SR155E103MAA
A68A7C3011	283-0204-00			CAP,FXD,CER DI:0.01UF,20%,50V	04222	SR155E103MAA
A68A7C3014	283-0204-00			CAP,FXD,CER DI:0.01UF,20%,50V	04222	SR155E103MAA
A68A7C3016	283-0204-00			CAP,FXD,CER DI:0.01UF,20%,50V	04222	SR155E103MAA
A68A7C3017	283-0204-00			CAP,FXD,CER DI:0.01UF,20%,50V	04222	SR155E103MAA
A68A7C3018	283-0204-00			CAP,FXD,CER DI:0.01UF,20%,50V	04222	SR155E103MAA
A68A7C3020	281-0620-00			CAP,FXD,CER DI:21PF,1%,500V	52763	2RDPLZ007 Z1POLC
A68A7C3023	281-0245-00			CAP,VAR,CER DI:7.5 TO 50PF,400V	91293	9694
A68A7C3024	283-0640-00	B030000	B042749	CAP,FXD,MICA DI:160PF,1%,100V	00853	D155F161F0
A68A7C3024	283-0899-00	B042750		CAP,FXD,CER DI:160PF,5%,50V	51642	300-050-NPO-161J
A68A7C3030	281-0529-00	B030000	B031129	CAP,FXD,CER DI:1.5PF,+/-25PF,500V (492 ONLY)	52763	2RDPLZ007 1P50CC
A68A7C3030	281-0619-00	B031130		CAP,FXD,CER DI:1.2PF,+/-0.1PF,500V (492 ONLY)	52763	2RDPLZ007 1P20BC
A68A7C3030	281-0529-00	B030000	B031113	CAP,FXD,CER DI:1.5PF,+/-25PF,500V (492P ONLY)	52763	2RDPLZ007 1P50CC
A68A7C3030	281-0619-00	B031114		CAP,FXD,CER DI:1.2PF,+/-0.1PF,500V (492P ONLY)	52763	2RDPLZ007 1P20BC
A68A7C3035	281-0245-00			CAP,VAR,CER DI:7.5 TO 50PF,400V	91293	9694
A68A7C3038	283-0640-00	B030000	B042749	CAP,FXD,MICA DI:160PF,1%,100V	00853	D155F161F0
A68A7C3038	283-0899-00	B042750		CAP,FXD,CER DI:160PF,5%,50V	51642	300-050-NPO-161J
A68A7C3048	281-0620-00			CAP,FXD,CER DI:21PF,1%,500V	52763	2RDPLZ007 Z1POLC
A68A7C3056	283-0204-00			CAP,FXD,CER DI:0.01UF,20%,50V	04222	SR155E103MAA
A68A7C3058	283-0204-00			CAP,FXD,CER DI:0.01UF,20%,50V	04222	SR155E103MAA

Replaceable Electrical Parts
492/492P Service Vol. 2 (B030000 & Up)

Component No.	Tektronix Part No.	Serial/Assembly No. Effective Dscnt	Name & Description	Mfr. Code	Mfr. Part No.
A68A7C3059	283-0204-00		CAP,FXD,CER DI:0.01UF,20%,50V	04222	SR155E103MAA
A68A7C4015	283-0204-00		CAP,FXD,CER DI:0.01UF,20%,50V	04222	SR155E103MAA
A68A7C4022	283-0204-00		CAP,FXD,CER DI:0.01UF,20%,50V	04222	SR155E103MAA
A68A7C4029	283-0204-00		CAP,FXD,CER DI:0.01UF,20%,50V	04222	SR155E103MAA
A68A7C4031	283-0204-00		CAP,FXD,CER DI:0.01UF,20%,50V	04222	SR155E103MAA
A68A7C4032	283-0204-00		CAP,FXD,CER DI:0.01UF,20%,50V	04222	SR155E103MAA
A68A7C4038	283-0204-00		CAP,FXD,CER DI:0.01UF,20%,50V	04222	SR155E103MAA
A68A7C4039	283-0204-00		CAP,FXD,CER DI:0.01UF,20%,50V	04222	SR155E103MAA
A68A7C4040	281-0111-00		CAP,VAR,AIR DI:2-27PF,325V	74970	193-0008-005
A68A7C4054	283-0204-00		CAP,FXD,CER DI:0.01UF,20%,50V	04222	SR155E103MAA
A68A7C4056	283-0204-00		CAP,FXD,CER DI:0.01UF,20%,50V	04222	SR155E103MAA
A68A7C4057	283-0204-00		CAP,FXD,CER DI:0.01UF,20%,50V	04222	SR155E103MAA
A68A7C4059	283-0204-00		CAP,FXD,CER DI:0.01UF,20%,50V	04222	SR155E103MAA
A68A7C4069	283-0204-00		CAP,FXD,CER DI:0.01UF,20%,50V	04222	SR155E103MAA
A68A7CR1010	152-0107-04		SEMICON DVC,DI:RECT,SI,400V,400MA	14936	GPD-011
A68A7CR1011	152-0107-04		SEMICON DVC,DI:RECT,SI,400V,400MA	14936	GPD-011
A68A7CR1012	152-0107-04		SEMICON DVC,DI:RECT,SI,400V,400MA	14936	GPD-011
A68A7CR1013	152-0107-04		SEMICON DVC,DI:RECT,SI,400V,400MA	14936	GPD-011
A68A7CR1017	152-0153-00		SEMICON DVC,DI:SW,SI,10V,50MA,.DO-7	07263	FD7003
A68A7CR1018	152-0153-00		SEMICON DVC,DI:SW,SI,10V,50MA,.DO-7	07263	FD7003
A68A7CR1021	152-0153-00		SEMICON DVC,DI:SW,SI,10V,50MA,.DO-7	07263	FD7003
A68A7CR1022	152-0153-00		SEMICON DVC,DI:SW,SI,10V,50MA,.DO-7	07263	FD7003
A68A7CR1055	152-0107-04		SEMICON DVC,DI:RECT,SI,400V,400MA	14936	GPD-011
A68A7CR1059	152-0107-04		SEMICON DVC,DI:RECT,SI,400V,400MA	14936	GPD-011
A68A7CR2010	152-0107-04		SEMICON DVC,DI:RECT,SI,400V,400MA	14936	GPD-011
A68A7CR2011	152-0107-04		SEMICON DVC,DI:RECT,SI,400V,400MA	14936	GPD-011
A68A7CR2012	152-0107-04		SEMICON DVC,DI:RECT,SI,400V,400MA	14936	GPD-011
A68A7CR2013	152-0107-04		SEMICON DVC,DI:RECT,SI,400V,400MA	14936	GPD-011
A68A7CR2055	152-0107-04		SEMICON DVC,DI:RECT,SI,400V,400MA	14936	GPD-011
A68A7CR2059	152-0107-04		SEMICON DVC,DI:RECT,SI,400V,400MA	14936	GPD-011
A68A7CR2062	152-0107-04		SEMICON DVC,DI:RECT,SI,400V,400MA	14936	GPD-011
A68A7CR2066	152-0107-04		SEMICON DVC,DI:RECT,SI,400V,400MA	14936	GPD-011
A68A7CR3010	152-0107-04		SEMICON DVC,DI:RECT,SI,400V,400MA	14936	GPD-011
A68A7CR3011	152-0107-04		SEMICON DVC,DI:RECT,SI,400V,400MA	14936	GPD-011
A68A7CR3012	152-0107-04		SEMICON DVC,DI:RECT,SI,400V,400MA	14936	GPD-011
A68A7CR3014	152-0107-04		SEMICON DVC,DI:RECT,SI,400V,400MA	14936	GPD-011
A68A7CR3060	152-0107-04		SEMICON DVC,DI:RECT,SI,400V,400MA	14936	GPD-011
A68A7CR3061	152-0107-04		SEMICON DVC,DI:RECT,SI,400V,400MA	14936	GPD-011
A68A7CR3062	152-0107-04		SEMICON DVC,DI:RECT,SI,400V,400MA	14936	GPD-011
A68A7CR4064	152-0107-04		SEMICON DVC,DI:RECT,SI,400V,400MA	14936	GPD-011
A68A7CR4065	152-0107-04		SEMICON DVC,DI:RECT,SI,400V,400MA	14936	GPD-011
A68A7CR4068	152-0107-04		SEMICON DVC,DI:RECT,SI,400V,400MA	14936	GPD-011
A68A7L1011	108-0395-00		COIL,RF:FIXED,64UH	80009	108-0395-00
A68A7L1012	108-0395-00		COIL,RF:FIXED,64UH	80009	108-0395-00
A68A7L1059	108-0395-00		COIL,RF:FIXED,64UH	80009	108-0395-00
A68A7L1067	108-0395-00		COIL,RF:FIXED,64UH	80009	108-0395-00
A68A7L2011	108-0395-00		COIL,RF:FIXED,64UH	80009	108-0395-00
A68A7L2012	108-0395-00		COIL,RF:FIXED,64UH	80009	108-0395-00
A68A7L2035	108-0964-00		COIL,RF:FIXED,1.2 UH	80009	108-0964-00
A68A7L2055	108-0964-00		COIL,RF:FIXED,1.2 UH	80009	108-0964-00
A68A7L2060	108-0395-00		COIL,RF:FIXED,64UH	80009	108-0395-00
A68A7L2062	108-0395-00		COIL,RF:FIXED,64UH	80009	108-0395-00
A68A7L3012	108-0395-00		COIL,RF:FIXED,64UH	80009	108-0395-00
A68A7L3013	108-0395-00		COIL,RF:FIXED,64UH	80009	108-0395-00
A68A7L3014	108-0395-00		COIL,RF:FIXED,64UH	80009	108-0395-00
A68A7L3029	108-0964-00		COIL,RF:FIXED,1.2 UH	80009	108-0964-00
A68A7L3036	108-0964-00		COIL,RF:FIXED,1.2 UH	80009	108-0964-00
A68A7L3040	108-0964-00		COIL,RF:FIXED,1.2 UH	80009	108-0964-00

Replaceable Electrical Parts
492/492P Service Vol. 2 (B030000 & Up)

Component No.	Tektronix Part No.	Serial/Assembly No.		Name & Description	Mfr. Code	Mfr. Part No.
		Effective	Discont			
A68A7L3055	108-0964-00			COIL,RF:FIXED,1.2 UH	80009	108-0964-00
A68A7L3059	108-0395-00			COIL,RF:FIXED,64UH	80009	108-0395-00
A68A7L4018	108-0395-00			COIL,RF:FIXED,64UH	80009	108-0395-00
A68A7L4043	108-0395-00			COIL,RF:FIXED,64UH	80009	108-0395-00
A68A7L4049	108-0395-00			COIL,RF:FIXED,64UH	80009	108-0395-00
A68A7L4058	108-0395-00			COIL,RF:FIXED,64UH	80009	108-0395-00
A68A7L4065	108-0395-00			COIL,RF:FIXED,64UH	80009	108-0395-00
A68A7Q1019	151-0301-00			TRANSISTOR:P,NP,SI,TO-18	04713	ST898
A68A7Q1020	151-0301-00			TRANSISTOR:P,NP,SI,TO-18	04713	ST898
A68A7Q1055	151-0301-00			TRANSISTOR:P,NP,SI,TO-18	04713	ST898
A68A7Q2019	151-0301-00			TRANSISTOR:P,NP,SI,TO-18	04713	ST898
A68A7Q2020	151-0301-00			TRANSISTOR:P,NP,SI,TO-18	04713	ST898
A68A7Q2050	151-0301-00			TRANSISTOR:P,NP,SI,TO-18	04713	ST898
A68A7Q3019	151-0301-00			TRANSISTOR:P,NP,SI,TO-18	04713	ST898
A68A7Q3055	151-0301-00			TRANSISTOR:P,NP,SI,TO-18	04713	ST898
A68A7Q3060	151-0301-00			TRANSISTOR:P,NP,SI,TO-18	04713	ST898
A68A7Q4019	151-0301-00			TRANSISTOR:P,NP,SI,TO-18	04713	ST898
A68A7Q4050	151-0301-00			TRANSISTOR:P,NP,SI,TO-18	04713	ST898
A68A7Q4055	151-0301-00			TRANSISTOR:P,NP,SI,TO-18	04713	ST898
A68A7R1015	315-0332-00			RES,FXD,FILM:3.3K OHM,5%,0.25W	57668	NTR25J-E03K3
A68A7R1016	315-0121-00			RES,FXD,FILM:120 OHM,5%,0.25W	19701	5043CX120R0J
A68A7R1017	315-0332-00			RES,FXD,FILM:3.3K OHM,5%,0.25W	57668	NTR25J-E03K3
A68A7R1018	315-0103-00			RES,FXD,FILM:10K OHM,5%,0.25W	19701	5043CX10K00J
A68A7R1019	315-0103-00			RES,FXD,FILM:10K OHM,5%,0.25W	19701	5043CX10K00J
A68A7R1020	315-0103-00			RES,FXD,FILM:10K OHM,5%,0.25W	19701	5043CX10K00J
A68A7R1022	315-0103-00			RES,FXD,FILM:10K OHM,5%,0.25W	19701	5043CX10K00J
A68A7R1026	321-0159-00	B030000	B031129	RES,FXD,FILM:442 OHM,1%,0.125W,TC=TO (492 ONLY)	07716	CEAD442R0F
A68A7R1026	321-0121-00	B031130		RES,FXD,FILM:178 OHM,1%,0.125W,TC=TO (492 ONLY)	07716	CEAD178R0F
A68A7R1026	321-0159-00	B030000	B031113	RES,FXD,FILM:442 OHM,1%,0.125W,TC=TO (492P ONLY)	07716	CEAD442R0F
A68A7R1026	321-0121-00	B031114		RES,FXD,FILM:178 OHM,1%,0.125W,TC=TO (492P ONLY)	07716	CEAD178R0F
A68A7R1027	321-0159-00	B030000	B031129	RES,FXD,FILM:442 OHM,1%,0.125W,TC=TO (492 ONLY)	07716	CEAD442R0F
A68A7R1027	321-0121-00	B031130		RES,FXD,FILM:178 OHM,1%,0.125W,TC=TO (492 ONLY)	07716	CEAD178R0F
A68A7R1027	321-0159-00	B030000	B031113	RES,FXD,FILM:442 OHM,1%,0.125W,TC=TO (492P ONLY)	07716	CEAD442R0F
A68A7R1027	321-0121-00	B031114		RES,FXD,FILM:178 OHM,1%,0.125W,TC=TO (492P ONLY)	07716	CEAD178R0F
A68A7R1028	321-0008-00	B030000	B031129	RES,FXD,FILM:11.8 OHM,1%,0.125W,TC=TO (492 ONLY)	57668	RB14FXE 11E8
A68A7R1028	321-0713-00	B031130		RES,FXD,FILM:30 OHM,1%,0.125W,TC=TO (492 ONLY)	57668	CRB14 FXE 30 OHM
A68A7R1028	321-0008-00	B030000	B031113	RES,FXD,FILM:11.8 OHM,1%,0.125W,TC=TO (492P ONLY)	57668	RB14FXE 11E8
A68A7R1028	321-0713-00	B031114		RES,FXD,FILM:30 OHM,1%,0.125W,TC=TO (492P ONLY)	57668	CRB14 FXE 30 OHM
A68A7R1054	315-0332-00			RES,FXD,FILM:3.3K OHM,5%,0.25W	57668	NTR25J-E03K3
A68A7R1055	315-0121-00			RES,FXD,FILM:120 OHM,5%,0.25W	19701	5043CX120R0J
A68A7R1057	315-0103-00			RES,FXD,FILM:10K OHM,5%,0.25W	19701	5043CX10K00J
A68A7R1058	315-0103-00			RES,FXD,FILM:10K OHM,5%,0.25W	19701	5043CX10K00J
A68A7R1067	304-0681-00			RES,FXD,CMPSN:680 OHM,10%,1W	01121	GB6811
A68A7R2013	315-0332-00			RES,FXD,FILM:3.3K OHM,5%,0.25W	57668	NTR25J-E03K3
A68A7R2014	315-0121-00			RES,FXD,FILM:120 OHM,5%,0.25W	19701	5043CX120R0J
A68A7R2015	315-0121-00			RES,FXD,FILM:120 OHM,5%,0.25W	19701	5043CX120R0J
A68A7R2016	315-0332-00			RES,FXD,FILM:3.3K OHM,5%,0.25W	57668	NTR25J-E03K3
A68A7R2017	315-0103-00			RES,FXD,FILM:10K OHM,5%,0.25W	19701	5043CX10K00J

Replaceable Electrical Parts
492/492P Service Vol. 2 (B030000 & Up)

Component No.	Tektronix Part No.	Serial/Assembly No. Effective	Discont	Name & Description	Mfr. Code	Mfr. Part No.
A68A7R2018	315-0103-00			RES, FXD, FILM: 10K OHM, 5%, 0.25W	19701	5043CX10K00J
A68A7R2019	315-0103-00			RES, FXD, FILM: 10K OHM, 5%, 0.25W	19701	5043CX10K00J
A68A7R2020	315-0103-00			RES, FXD, FILM: 10K OHM, 5%, 0.25W	19701	5043CX10K00J
A68A7R2023	321-0008-00	B030000	B031129	RES, FXD, FILM: 11.8 OHM, 1%, 0.125W, TC=TO (492 ONLY)	57668	RB14FXE 11E8
A68A7R2023	321-0713-00	B031130	B042199	RES, FXD, FILM: 30 OHM, 1%, 0.125W, TC=TO (492 ONLY)	57668	CRB14 FXE 30 OHM
A68A7R2023	321-0026-00	B042200		RES, FXD, FILM: 18.2 OHM, 1%, 0.125W, TC=TO (492 ONLY)	57668	RB14FXE 18E2
A68A7R2023	321-0008-00	B030000	B031113	RES, FXD, FILM: 11.8 OHM, 1%, 0.125W, TC=TO (492P ONLY)	57668	RB14FXE 11E8
A68A7R2023	321-0713-00	B031114	B042199	RES, FXD, FILM: 30 OHM, 1%, 0.125W, TC=TO (492P ONLY)	57668	CRB14 FXE 30 OHM
A68A7R2024	321-0159-00	B030000	B031129	RES, FXD, FILM: 442 OHM, 1%, 0.125W, TC=TO (492 ONLY)	07716	CEAD442R0F
A68A7R2024	321-0121-00	B031130	B042199	RES, FXD, FILM: 178 OHM, 1%, 0.125W, TC=TO (492 ONLY)	07716	CEAD178R0F
A68A7R2024	321-0143-00	B042200		RES, FXD, FILM: 301 OHM, 1%, 0.125W, TC=TO (492 ONLY)	07716	CEAD301R0F
A68A7R2024	321-0159-00	B030000	B031113	RES, FXD, FILM: 442 OHM, 1%, 0.125W, TC=TO (492P ONLY)	07716	CEAD442R0F
A68A7R2024	321-0121-00	B031114	B042199	RES, FXD, FILM: 178 OHM, 1%, 0.125W, TC=TO (492P ONLY)	07716	CEAD178R0F
A68A7R2025	321-0159-00	B030000	B031129	RES, FXD, FILM: 442 OHM, 1%, 0.125W, TC=TO (492 ONLY)	07716	CEAD442R0F
A68A7R2025	321-0121-00	B031130	B042199	RES, FXD, FILM: 178 OHM, 1%, 0.125W, TC=TO (492 ONLY)	07716	CEAD178R0F
A68A7R2025	321-0143-00	B042200		RES, FXD, FILM: 301 OHM, 1%, 0.125W, TC=TO (492 ONLY)	07716	CEAD301R0F
A68A7R2025	321-0159-00	B030000	B031113	RES, FXD, FILM: 442 OHM, 1%, 0.125W, TC=TO (492P ONLY)	07716	CEAD442R0F
A68A7R2025	321-0121-00	B031114	B042199	RES, FXD, FILM: 178 OHM, 1%, 0.125W, TC=TO (492P ONLY)	07716	CEAD178R0F
A68A7R2026	321-0226-00	B030000	B031129	RES, FXD, FILM: 2.21K OHM, 1%, 0.125W, TC=TO (492 ONLY)	01121	RNK2211F
A68A7R2026	321-0054-00	B031130		RES, FXD, FILM: 35.7 OHM, 0.5%, 0.125W, TC=TO MI (492 ONLY)	91637	CMF55116G35R70F
A68A7R2026	321-0226-00	B030000	B031113	RES, FXD, FILM: 2.21K OHM, 1%, 0.125W, TC=TO (492P ONLY)	01121	RNK2211F
A68A7R2026	321-0054-00	B031114		RES, FXD, FILM: 35.7 OHM, 0.5%, 0.125W, TC=TO MI (492P ONLY)	91637	CMF55116G35R70F
A68A7R2027	321-0143-00	B030000	B031129	RES, FXD, FILM: 301 OHM, 1%, 0.125W, TC=TO (492 ONLY)	07716	CEAD301R0F
A68A7R2027	321-0114-00	B031130		RES, FXD, FILM: 150 OHM, 1%, 0.125 W, TC=TO (492 ONLY)	19701	5033ED150R0F
A68A7R2027	321-0143-00	B030000	B031113	RES, FXD, FILM: 301 OHM, 1%, 0.125W, TC=TO (492P ONLY)	07716	CEAD301R0F
A68A7R2027	321-0114-00	B031114		RES, FXD, FILM: 150 OHM, 1%, 0.125 W, TC=TO (492P ONLY)	19701	5033ED150R0F
A68A7R2028	321-0143-00	B030000	B031129	RES, FXD, FILM: 301 OHM, 1%, 0.125W, TC=TO (492 ONLY)	07716	CEAD301R0F
A68A7R2028	321-0114-00	B031130		RES, FXD, FILM: 150 OHM, 1%, 0.125 W, TC=TO (492 ONLY)	19701	5033ED150R0F
A68A7R2028	321-0143-00	B030000	B031113	RES, FXD, FILM: 301 OHM, 1%, 0.125W, TC=TO (492P ONLY)	07716	CEAD301R0F
A68A7R2028	321-0114-00	B031114		RES, FXD, FILM: 150 OHM, 1%, 0.125 W, TC=TO (492P ONLY)	19701	5033ED150R0F
A68A7R2049	315-0103-00			RES, FXD, FILM: 10K OHM, 5%, 0.25W	19701	5043CX10K00J
A68A7R2050	315-0103-00			RES, FXD, FILM: 10K OHM, 5%, 0.25W	19701	5043CX10K00J
A68A7R2055	315-0332-00			RES, FXD, FILM: 3.3K OHM, 5%, 0.25W	57668	NTR25J-E03K3
A68A7R2056	315-0121-00			RES, FXD, FILM: 120 OHM, 5%, 0.25W	19701	5043CX120R0J
A68A7R3014	315-0121-00			RES, FXD, FILM: 120 OHM, 5%, 0.25W	19701	5043CX120R0J
A68A7R3015	315-0121-00			RES, FXD, FILM: 120 OHM, 5%, 0.25W	19701	5043CX120R0J

Component No.	Tektronix Part No.	Serial/Assembly No. Effective	Dscont	Name & Description	Mfr. Code	Mfr. Part No.
A68A7R3016	315-0332-00			RES, FXD, FILM:3.3K OHM, 5%, 0.25W	57668	NTR25J-E03K3
A68A7R3017	315-0103-00			RES, FXD, FILM:10K OHM, 5%, 0.25W	19701	5043CX10K00J
A68A7R3018	315-0103-00			RES, FXD, FILM:10K OHM, 5%, 0.25W	19701	5043CX10K00J
A68A7R3019	315-0121-00			RES, FXD, FILM:120 OHM, 5%, 0.25W	19701	5043CX120R0J
A68A7R3020	315-0332-00			RES, FXD, FILM:3.3K OHM, 5%, 0.25W	57668	NTR25J-E03K3
A68A7R3050	315-0103-00			RES, FXD, FILM:10K OHM, 5%, 0.25W	19701	5043CX10K00J
A68A7R3053	315-0103-00			RES, FXD, FILM:10K OHM, 5%, 0.25W	19701	5043CX10K00J
A68A7R3056	315-0332-00			RES, FXD, FILM:3.3K OHM, 5%, 0.25W	57668	NTR25J-E03K3
A68A7R3057	315-0121-00			RES, FXD, FILM:120 OHM, 5%, 0.25W	19701	5043CX120R0J
A68A7R3059	315-0103-00			RES, FXD, FILM:10K OHM, 5%, 0.25W	19701	5043CX10K00J
A68A7R3060	315-0121-00			RES, FXD, FILM:120 OHM, 5%, 0.25W	19701	5043CX120R0J
A68A7R3061	315-0332-00			RES, FXD, FILM:3.3K OHM, 5%, 0.25W	57668	NTR25J-E03K3
A68A7R3063	315-0103-00			RES, FXD, FILM:10K OHM, 5%, 0.25W	19701	5043CX10K00J
A68A7R4012	304-0681-00			RES, FXD, CMPSN:680 OHM, 10%, 1W	01121	GB6811
A68A7R4015	321-0054-00	B030000	B031129	RES, FXD, FILM:35.7 OHM, 0.5%, 0.125W, TC=TO MI (492 ONLY)	91637	CMF55116G35R70F
A68A7R4015	321-0099-00	B031130		RES, FXD, FILM:105 OHM, 1%, 0.125W, TC=TO (492 ONLY)	07716	CEAD105R0F
A68A7R4015	321-0054-00	B030000	B031113	RES, FXD, FILM:35.7 OHM, 0.5%, 0.125W, TC=TO MI (492P ONLY)	91637	CMF55116G35R70F
A68A7R4015	321-0099-00	B031114		RES, FXD, FILM:105 OHM, 1%, 0.125W, TC=TO (492P ONLY)	07716	CEAD105R0F
A68A7R4016	321-0114-00	B030000	B031129	RES, FXD, FILM:150 OHM, 1%, 0.125 W, TC=TO (492 ONLY)	19701	5033ED150R0F
A68A7R4016	321-0099-00	B031130		RES, FXD, FILM:105 OHM, 1%, 0.125W, TC=TO (492 ONLY)	07716	CEAD105R0F
A68A7R4016	321-0114-00	B030000	B031113	RES, FXD, FILM:150 OHM, 1%, 0.125 W, TC=TO (492P ONLY)	19701	5033ED150R0F
A68A7R4016	321-0099-00	B031114		RES, FXD, FILM:105 OHM, 1%, 0.125W, TC=TO (492P ONLY)	07716	CEAD105R0F
A68A7R4017	321-0054-00	B030000	B031129	RES, FXD, FILM:35.7 OHM, 0.5%, 0.125W, TC=TO MI (492 ONLY)	91637	CMF55116G35R70F
A68A7R4017	321-0077-00	B031130		RES, FXD, FILM:61.9 OHM, 1%, 0.125W, TC=TO (492 ONLY)	91637	CMF55116G61R90F
A68A7R4017	321-0054-00	B030000	B031113	RES, FXD, FILM:35.7 OHM, 0.5%, 0.125W, TC=TO MI (492P ONLY)	91637	CMF55116G35R70F
A68A7R4017	321-0077-00	B031114		RES, FXD, FILM:61.9 OHM, 1%, 0.125W, TC=TO (492P ONLY)	91637	CMF55116G61R90F
A68A7R4019	315-0332-00			RES, FXD, FILM:3.3K OHM, 5%, 0.25W	57668	NTR25J-E03K3
A68A7R4020	315-0103-00			RES, FXD, FILM:10K OHM, 5%, 0.25W	19701	5043CX10K00J
A68A7R4021	315-0103-00			RES, FXD, FILM:10K OHM, 5%, 0.25W	19701	5043CX10K00J
A68A7R4048	315-0103-00			RES, FXD, FILM:10K OHM, 5%, 0.25W	19701	5043CX10K00J
A68A7R4049	315-0103-00			RES, FXD, FILM:10K OHM, 5%, 0.25W	19701	5043CX10K00J
A68A7R4050	315-0103-00			RES, FXD, FILM:10K OHM, 5%, 0.25W	19701	5043CX10K00J
A68A7R4053	315-0103-00			RES, FXD, FILM:10K OHM, 5%, 0.25W	19701	5043CX10K00J
A68A7R4054	315-0332-00			RES, FXD, FILM:3.3K OHM, 5%, 0.25W	57668	NTR25J-E03K3
A68A7R4055	315-0121-00			RES, FXD, FILM:120 OHM, 5%, 0.25W	19701	5043CX120R0J
A68A7R4056	315-0121-00			RES, FXD, FILM:120 OHM, 5%, 0.25W	19701	5043CX120R0J
A68A7R4057	315-0332-00			RES, FXD, FILM:3.3K OHM, 5%, 0.25W	57668	NTR25J-E03K3
A68A7T1025	120-1241-00			TRANSFORMER, RF: TOROID	80009	120-1241-00
A68A7T1039	120-1241-00			TRANSFORMER, RF: TOROID	80009	120-1241-00
A68A7T2035	120-1237-00			TRANSFORMER, RF: TOROID	80009	120-1237-00
A68A7T2055	120-1237-00			TRANSFORMER, RF: TOROID	80009	120-1237-00
A68A7T3026	120-1339-00	B030000	B055938	TRANSFORMER, RF: TOROID	80009	120-1339-00
A68A7T3026	120-1637-00	B055939		TRANSFORMER, RF: TOROID	TK1345	120-1637-00
A68A7T3055	120-1339-00	B030000	B055938	TRANSFORMER, RF: TOROID	80009	120-1339-00
A68A7T3055	120-1637-00	B055939		TRANSFORMER, RF: TOROID	TK1345	120-1637-00
A68A7U4035	156-1235-00			MICROCKT, DGTL: LSTTL, BCD TO DEC DECODER/DR (Y1030, Y1045, Y2036, Y2043, Y3046 NOT INCLUDED WITH THIS CKT BRD SEE	01295	SN74LS145N3

Replaceable Electrical Parts
492/492P Service Vol. 2 (B030000 & Up)

Component No.	Tektronix Part No.	Serial/Assembly No. Effective	Discont	Name & Description	Mfr. Code	Mfr. Part No.
A68A8	670-5531-02	B030000	B042199	A68 FOR REPLACEABLE PART NUMBERS)	80009	670-5531-02
A68A8	670-5531-03	B042200	B042329	CIRCUIT BD ASSY:10DB GAIN STEPS	80009	670-5531-03
A68A8	670-5531-04	B042330		CIRCUIT BD ASSY:10DB GAIN STEPS	80009	670-5531-04
A68A8C1017	283-0111-00			CAP, FXD, CER DI:0.1UF, 20%, 50V	05397	C330C104M5U1CA
A68A8C1024	283-0111-00			CAP, FXD, CER DI:0.1UF, 20%, 50V	05397	C330C104M5U1CA
A68A8C1028	283-0107-00			CAP, FXD, CER DI:51PF, 5%, 200V	04222	SR206A51QJAA
A68A8C1039	283-0111-00			CAP, FXD, CER DI:0.1UF, 20%, 50V	05397	C330C104M5U1CA
A68A8C1047	283-0111-00			CAP, FXD, CER DI:0.1UF, 20%, 50V	05397	C330C104M5U1CA
A68A8C1057	283-0204-00			CAP, FXD, CER DI:0.01UF, 20%, 50V	04222	SR155E103MAA
A68A8C1066	283-0111-00			CAP, FXD, CER DI:0.1UF, 20%, 50V	05397	C330C104M5U1CA
A68A8C2013	283-0111-00			CAP, FXD, CER DI:0.1UF, 20%, 50V	05397	C330C104M5U1CA
A68A8C2018	283-0111-00			CAP, FXD, CER DI:0.1UF, 20%, 50V	05397	C330C104M5U1CA
A68A8C2020	283-0204-00			CAP, FXD, CER DI:0.01UF, 20%, 50V	04222	SR155E103MAA
A68A8C2032	283-0204-00			CAP, FXD, CER DI:0.01UF, 20%, 50V	04222	SR155E103MAA
A68A8C2046	283-0204-00			CAP, FXD, CER DI:0.01UF, 20%, 50V	04222	SR155E103MAA
A68A8C2052	283-0204-00			CAP, FXD, CER DI:0.01UF, 20%, 50V	04222	SR155E103MAA
A68A8C2055	283-0111-00			CAP, FXD, CER DI:0.1UF, 20%, 50V	05397	C330C104M5U1CA
A68A8C2059	283-0107-00			CAP, FXD, CER DI:51PF, 5%, 200V	04222	SR206A51QJAA
A68A8C3042	283-0111-00			CAP, FXD, CER DI:0.1UF, 20%, 50V	05397	C330C104M5U1CA
A68A8C3045	283-0204-00			CAP, FXD, CER DI:0.01UF, 20%, 50V	04222	SR155E103MAA
A68A8C3046	283-0111-00			CAP, FXD, CER DI:0.1UF, 20%, 50V	05397	C330C104M5U1CA
A68A8C4024	283-0111-00			CAP, FXD, CER DI:0.1UF, 20%, 50V	05397	C330C104M5U1CA
A68A8C4028	283-0111-00			CAP, FXD, CER DI:0.1UF, 20%, 50V	05397	C330C104M5U1CA
A68A8C4046	283-0111-00			CAP, FXD, CER DI:0.1UF, 20%, 50V	05397	C330C104M5U1CA
A68A8C4054	283-0111-00			CAP, FXD, CER DI:0.1UF, 20%, 50V	05397	C330C104M5U1CA
A68A8C4059	283-0111-00			CAP, FXD, CER DI:0.1UF, 20%, 50V	05397	C330C104M5U1CA
A68A8C4064	283-0111-00			CAP, FXD, CER DI:0.1UF, 20%, 50V	05397	C330C104M5U1CA
A68A8CR1053	152-0524-00			SEMICON DVC, DI:SW, SI, 100V, 0.1A, DO-35	28480	5082-1779
A68A8Q1036	151-0282-00			TRANSISTOR:NPN, SI, TO-72	04713	SRF2625
A68A8Q2015	151-0301-00			TRANSISTOR:PMP, SI, TO-18	04713	ST898
A68A8Q2027	151-0282-00			TRANSISTOR:NPN, SI, TO-72	04713	SRF2625
A68A8Q2043	151-0282-00			TRANSISTOR:NPN, SI, TO-72	04713	SRF2625
A68A8Q2056	151-0282-00			TRANSISTOR:NPN, SI, TO-72	04713	SRF2625
A68A8Q3016	151-0282-00			TRANSISTOR:NPN, SI, TO-72	04713	SRF2625
A68A8Q3049	151-0302-00			TRANSISTOR:NPN, SI, TO-18	04713	ST899
A68A8Q3055	151-0282-00			TRANSISTOR:NPN, SI, TO-72	04713	SRF2625
A68A8Q3064	151-0650-00			TRANSISTOR:NPN, SI, TO-39	50545	2SC1252
A68A8Q3099	151-0302-00			TRANSISTOR:NPN, SI, TO-18	04713	ST899
A68A8Q4039	151-0301-00			TRANSISTOR:PMP, SI, TO-18	04713	ST898
A68A8R1016	315-0221-00			RES, FXD, FILM:220 OHM, 5%, 0.25W	57668	NTR25J-E220E
A68A8R1022	315-0151-00			RES, FXD, FILM:150 OHM, 5%, 0.25W	57668	NTR25J-E150E
A68A8R1026	315-0681-00			RES, FXD, FILM:680 OHM, 5%, 0.25W	57668	NTR25J-E680E
A68A8R1031	315-0101-00			RES, FXD, FILM:100 OHM, 5%, 0.25W	57668	NTR25J-E 100E
A68A8R1032	315-0390-00			RES, FXD, FILM:39 OHM, 5%, 0.25W	57668	NTR25J-E39E0
A68A8R1041	315-0681-00			RES, FXD, FILM:680 OHM, 5%, 0.25W	57668	NTR25J-E680E
A68A8R1046	315-0470-00			RES, FXD, FILM:47 OHM, 5%, 0.25W	57668	NTR25J-E47E0
A68A8R1050	315-0470-00			RES, FXD, FILM:47 OHM, 5%, 0.25W	57668	NTR25J-E47E0
A68A8R1056	321-0058-00			RES, FXD, FILM:39.2 OHM, 0.5%, 0.125W, TC=TO	91637	CMF55116G39R20F
A68A8R1060	321-0194-00			RES, FXD, FILM:1.02K OHM, 1%, 0.125W, TC=TO	07716	CEAD10200F
A68A8R1062	321-0164-00			RES, FXD, FILM:499 OHM, 1%, 0.125W, TC=TO	19701	5033ED499R0F
A68A8R1064	321-0065-00			RES, FXD, FILM:46.4 OHM, 1%, 0.125W, TC=TO	57668	RB14FXE 46E4
A68A8R2011	315-0472-00			RES, FXD, FILM:4.7K OHM, 5%, 0.25W	57668	NTR25J-E04K7
A68A8R2012	315-0472-00			RES, FXD, FILM:4.7K OHM, 5%, 0.25W	57668	NTR25J-E04K7
A68A8R2018	315-0104-00			RES, FXD, FILM:100K OHM, 5%, 0.25W	57668	NTR25J-E100K
A68A8R2023	315-0681-00			RES, FXD, FILM:680 OHM, 5%, 0.25W	57668	NTR25J-E680E
A68A8R2025	311-0622-00	B030000	B042199	RES, VAR, NONWM:TRMR, 100 OHM, 0.5W	32997	3329H-L58-101
A68A8R2025	311-0635-00	B042200		RES, VAR, NONWM:TRMR, 1K OHM, 0.5W	32997	3329H-G48-102

Component No.	Tektronix Part No.	Serial/Assembly No. Effective	Discont	Name & Description	Mfr. Code	Mfr. Part No.
A68A8R2031	321-0109-00	B030000	B042199	RES, FXD, FILM: 133 OHM, 1%, 0.125W, TC=TO	07716	CEAD133ROF
A68A8R2031	321-0194-00	B042200		RES, FXD, FILM: 1.02K OHM, 1%, 0.125W, TC=TO	07716	CEAD10200F
A68A8R2034	321-0164-00			RES, FXD, FILM: 499 OHM, 1%, 0.125W, TC=TO	19701	5033ED499ROF
A68A8R2035	321-0065-00			RES, FXD, FILM: 46.4 OHM, 1%, 0.125W, TC=TO	57668	RB14FXE 46E4
A68A8R2039	321-0130-00			RES, FXD, FILM: 221 OHM, 1%, 0.125W, TC=TO	19701	5043ED221ROF
A68A8R2042	315-0390-00			RES, FXD, FILM: 39 OHM, 5%, 0.25W	57668	NTR25J-E39E0
A68A8R2048	321-0097-00			RES, FXD, FILM: 100 OHM, 1%, 0.125W, TC=TO	91637	CMF55116G100ROF
A68A8R2051	315-0152-00			RES, FXD, FILM: 1.5K OHM, 5%, 0.25W	57668	NTR25J-E01K5
A68A8R2053	315-0152-00			RES, FXD, FILM: 1.5K OHM, 5%, 0.25W	57668	NTR25J-E01K5
A68A8R2057	315-0681-00			RES, FXD, FILM: 680 OHM, 5%, 0.25W	57668	NTR25J-E680E
A68A8R2063	315-0101-00			RES, FXD, FILM: 100 OHM, 5%, 0.25W	57668	NTR25J-E 100E
A68A8R2069	301-0201-00			RES, FXD, FILM: 200 OHM, 5%, 0.5W	19701	5053CX200R0J
A68A8R3014	315-0472-00			RES, FXD, FILM: 4.7K OHM, 5%, 0.25W	57668	NTR25J-E04K7
A68A8R3015	315-0390-00			RES, FXD, FILM: 39 OHM, 5%, 0.25W	57668	NTR25J-E39E0
A68A8R3022	315-0222-00			RES, FXD, FILM: 2.2K OHM, 5%, 0.25W	57668	NTR25J-E02K2
A68A8R3026	315-0222-00			RES, FXD, FILM: 2.2K OHM, 5%, 0.25W	57668	NTR25J-E02K2
A68A8R3029	315-0222-00			RES, FXD, FILM: 2.2K OHM, 5%, 0.25W	57668	NTR25J-E02K2
A68A8R3035	311-0622-00			RES, VAR, NONNW: TRMR, 100 OHM, 0.5W	32997	3329H-L58-101
A68A8R3038	321-0026-00			RES, FXD, FILM: 18.2 OHM, 1%, 0.125W, TC=TO	57668	RB14FXE 18E2
A68A8R3039	315-0104-00			RES, FXD, FILM: 100K OHM, 5%, 0.25W	57668	NTR25J-E100K
A68A8R3044	315-0101-00			RES, FXD, FILM: 100 OHM, 5%, 0.25W	57668	NTR25J-E 100E
A68A8R3048	315-0222-00			RES, FXD, FILM: 2.2K OHM, 5%, 0.25W	57668	NTR25J-E02K2
A68A8R3050	321-0130-00	B030000	B042329	RES, FXD, FILM: 221 OHM, 1%, 0.125W, TC=TO	19701	5043ED221ROF
A68A8R3050	321-0143-00	B042330		RES, FXD, FILM: 301 OHM, 1%, 0.125W, TC=TO	07716	CEAD301ROF
A68A8R3052	315-0390-00			RES, FXD, FILM: 39 OHM, 5%, 0.25W	57668	NTR25J-E39E0
A68A8R3059	315-0681-00			RES, FXD, FILM: 680 OHM, 5%, 0.25W	57668	NTR25J-E680E
A68A8R4013	321-0130-00	B030000	B042199	RES, FXD, FILM: 221 OHM, 1%, 0.125W, TC=TO	19701	5043ED221ROF
A68A8R4013	321-0160-00	B042200		RES, FXD, FILM: 453 OHM, 1%, 0.125W, TC=TO	19701	5033ED453ROF
A68A8R4026	315-0151-00			RES, FXD, FILM: 150 OHM, 5%, 0.25W	57668	NTR25J-E150E
A68A8R4030	315-0102-00			RES, FXD, FILM: 1K OHM, 5%, 0.25W	57668	NTR25JE01K0
A68A8R4033	315-0102-00			RES, FXD, FILM: 1K OHM, 5%, 0.25W	57668	NTR25JE01K0
A68A8R4035	315-0222-00			RES, FXD, FILM: 2.2K OHM, 5%, 0.25W	57668	NTR25J-E02K2
A68A8R4045	321-0130-00	B030000	B042199	RES, FXD, FILM: 221 OHM, 1%, 0.125W, TC=TO	19701	5043ED221ROF
A68A8R4045	321-0164-00	B042200	B042329	RES, FXD, FILM: 499 OHM, 1%, 0.125W, TC=TO	19701	5033ED499ROF
A68A8R4045	321-0143-00	B042330		RES, FXD, FILM: 301 OHM, 1%, 0.125W, TC=TO	07716	CEAD301ROF
A68A8R4049	315-0471-00	B030000	B042199	RES, FXD, FILM: 470 OHM, 5%, 0.25W	57668	NTR25J-E470E
A68A8R4049	315-0221-00	B042200		RES, FXD, FILM: 220 OHM, 5%, 0.25W	57668	NTR25J-E220E
A68A8R4052	315-0181-00			RES, FXD, FILM: 180 OHM, 5%, 0.25W	57668	NTR25J-E180E
A68A8R4056	315-0272-00			RES, FXD, FILM: 2.7K OHM, 5%, 0.25W	57668	NTR25J-E02K7
A68A8R4057	315-0272-00			RES, FXD, FILM: 2.7K OHM, 5%, 0.25W	57668	NTR25J-E02K7
A68A8R4061	315-0220-00			RES, FXD, FILM: 22 OHM, 5%, 0.25W	19701	5043CX22R00J
A68A8R4062	315-0272-00			RES, FXD, FILM: 2.7K OHM, 5%, 0.25W	57668	NTR25J-E02K7
A68A8R4066	315-0220-00			RES, FXD, FILM: 22 OHM, 5%, 0.25W	19701	5043CX22R00J
A68A8T4019	120-0902-00	B030000	B042199	XFMR, TOROID:	80009	120-0902-00
A68A8T4019	120-1431-00	B042200		TRANSFORMER, RF: TOROID 2 WINDING ON FORM	80009	120-1431-00
A68A9	670-5532-02	B030000	B042199	CIRCUIT BD ASSY: 20DB GAIN STEPS	80009	670-5532-02
A68A9	670-5532-03	B042200	B055923	CIRCUIT BD ASSY: 20DB GAIN STEPS	80009	670-5532-03
A68A9	670-5532-04	B055924		CIRCUIT BD ASSY: 20DB GAIN STEPS	80009	670-5532-04
A68A9C1018	283-0204-00			CAP, FXD, CER DI: 0.01UF, 20%, 50V	04222	SR155E103MAA
A68A9C1019	283-0204-00			CAP, FXD, CER DI: 0.01UF, 20%, 50V	04222	SR155E103MAA
A68A9C1022	283-0204-00			CAP, FXD, CER DI: 0.01UF, 20%, 50V	04222	SR155E103MAA
A68A9C1026	283-0204-00			CAP, FXD, CER DI: 0.01UF, 20%, 50V	04222	SR155E103MAA
A68A9C1031	283-0204-00			CAP, FXD, CER DI: 0.01UF, 20%, 50V	04222	SR155E103MAA
A68A9C1041	283-0111-00			CAP, FXD, CER DI: 0.1UF, 20%, 50V	05397	C330C104M5U1CA
A68A9C1042	283-0204-00			CAP, FXD, CER DI: 0.01UF, 20%, 50V	04222	SR155E103MAA
A68A9C1045	283-0111-00			CAP, FXD, CER DI: 0.1UF, 20%, 50V	05397	C330C104M5U1CA
A68A9C2023	283-0204-00			CAP, FXD, CER DI: 0.01UF, 20%, 50V	04222	SR155E103MAA
A68A9C2032	283-0204-00			CAP, FXD, CER DI: 0.01UF, 20%, 50V	04222	SR155E103MAA

Replaceable Electrical Parts
492/492P Service Vol. 2 (B030000 & Up)

Component No.	Tektronix Part No.	Serial/Assembly No. Effective	Discont	Name & Description	Mfr. Code	Mfr. Part No.
A68A9C2042	283-0204-00			CAP,FXD,CER DI:0.01UF,20%,50V	04222	SR155E103MAA
A68A9C2051	283-0204-00			CAP,FXD,CER DI:0.01UF,20%,50V	04222	SR155E103MAA
A68A9C2053	283-0204-00			CAP,FXD,CER DI:0.01UF,20%,50V	04222	SR155E103MAA
A68A9C2059	283-0204-00			CAP,FXD,CER DI:0.01UF,20%,50V	04222	SR155E103MAA
A68A9C2061	283-0204-00			CAP,FXD,CER DI:0.01UF,20%,50V	04222	SR155E103MAA
A68A9C2069	283-0204-00			CAP,FXD,CER DI:0.01UF,20%,50V	04222	SR155E103MAA
A68A9Q1025	151-0302-00			TRANSISTOR:NPN,SI,TO-18	04713	ST899
A68A9Q1035	151-0302-00			TRANSISTOR:NPN,SI,TO-18	04713	ST899
A68A9Q1043	151-0302-00			TRANSISTOR:NPN,SI,TO-18	04713	ST899
A68A9Q1062	151-0301-00			TRANSISTOR:PNP,SI,TO-18	04713	ST898
A68A9Q2018	151-0301-00			TRANSISTOR:PNP,SI,TO-18	04713	ST898
A68A9Q2042	151-0301-00			TRANSISTOR:PNP,SI,TO-18	04713	ST898
A68A9R1015	321-0175-00			RES,FXD,FILM:649 OHM,1%,0.125W,TC=TO	19701	5043ED649ROF
A68A9R1019	317-0101-00			RES,FXD,CMPSN:100 OHM,5%,0.125W	01121	BB1015
A68A9R1024	321-0130-00			RES,FXD,FILM:221 OHM,1%,0.125W,TC=TO	19701	5043ED221ROF
A68A9R1025	317-0331-00			RES,FXD,CMPSN:330 OHM,5%,0.125W	01121	BB3315
A68A9R1026	321-0114-00			RES,FXD,FILM:150 OHM,1%,0.125 W,TC=TO	19701	5033ED150ROF
A68A9R1032	321-0026-00			RES,FXD,FILM:18.2 OHM,1%,0.125W,TC=TO	57668	RB14FXE 18E2
A68A9R1037	321-0130-00	B030000	B042199	RES,FXD,FILM:221 OHM,1%,0.125W,TC=TO	19701	5043ED221ROF
A68A9R1037	321-0143-00	B042200		RES,FXD,FILM:301 OHM,1%,0.125W,TC=TO	07716	CEAD301ROF
A68A9R1038	317-0222-00			RES,FXD,CMPSN:2.2K OHM,5%,0.125W	01121	BB2225
A68A9R1041	317-0331-00			RES,FXD,CMPSN:330 OHM,5%,0.125W	01121	BB3315
A68A9R1042	321-0130-00			RES,FXD,FILM:221 OHM,1%,0.125W,TC=TO	19701	5043ED221ROF
A68A9R1045	317-0331-00			RES,FXD,CMPSN:330 OHM,5%,0.125W	01121	BB3315
A68A9R1049	315-0101-00			RES,FXD,FILM:100 OHM,5%,0.25W	57668	NTR25J-E 100E
A68A9R1056	317-0104-00			RES,FXD,CMPSN:100K OHM,5%,0.125W	01121	BB1045
A68A9R1064	315-0101-00			RES,FXD,FILM:100 OHM,5%,0.25W	57668	NTR25J-E 100E
A68A9R1065	317-0222-00			RES,FXD,CMPSN:2.2K OHM,5%,0.125W	01121	BB2225
A68A9R2014	315-0122-00			RES,FXD,FILM:1.2K OHM,5%,0.25W	57668	NTR25J-E01K2
A68A9R2019	317-0222-00			RES,FXD,CMPSN:2.2K OHM,5%,0.125W	01121	BB2225
A68A9R2021	317-0104-00			RES,FXD,CMPSN:100K OHM,5%,0.125W	01121	BB1045
A68A9R2022	317-0222-00			RES,FXD,CMPSN:2.2K OHM,5%,0.125W	01121	BB2225
A68A9R2023	311-0622-00			RES,VAR,NONNW:TRMR,100 OHM,0.5W	32997	3329H-L58-101
A68A9R2025	311-0622-00			RES,VAR,NONNW:TRMR,100 OHM,0.5W	32997	3329H-L58-101
A68A9R2026	315-0101-00			RES,FXD,FILM:100 OHM,5%,0.25W	57668	NTR25J-E 100E
A68A9R2031	315-0101-00			RES,FXD,FILM:100 OHM,5%,0.25W	57668	NTR25J-E 100E
A68A9R2039	317-0222-00			RES,FXD,CMPSN:2.2K OHM,5%,0.125W	01121	BB2225
A68A9R2044	321-0114-00			RES,FXD,FILM:150 OHM,1%,0.125 W,TC=TO	19701	5033ED150ROF
A68A9R2045	321-0085-00			RES,FXD,FILM:75 OHM,1%,0.125W,TC=TO	57668	CRB14FXE 75 OHM
A68A9R2046	317-0104-00			RES,FXD,CMPSN:100K OHM,5%,0.125W	01121	BB1045
A68A9R2051	315-0182-00	B030000	B042199	RES,FXD,FILM:1.8K OHM,5%,0.25W	57668	NTR25J-E1K8
A68A9R2051	315-0102-00	B042200		RES,FXD,FILM:1K OHM,5%,0.25W	57668	NTR25JE01K0
A68A9R2052	315-0102-00			RES,FXD,FILM:1K OHM,5%,0.25W	57668	NTR25JE01K0
A68A9R2060	311-0622-00			RES,VAR,NONNW:TRMR,100 OHM,0.5W	32997	3329H-L58-101
A68A9R2061	321-0097-00			RES,FXD,FILM:100 OHM,1%,0.125W,TC=TO	91637	CMF55116G100ROF
A68A9R2062	321-0026-00			RES,FXD,FILM:18.2 OHM,1%,0.125W,TC=TO	57668	RB14FXE 18E2
A68A9R2063	317-0222-00			RES,FXD,CMPSN:2.2K OHM,5%,0.125W	01121	BB2225
A68A10	670-6067-00	B053764		CIRCUIT BD ASSY:CRYSTAL HOLDER (NO ELECTRICAL PARTS,QTY 4)	80009	670-6067-00
A70	670-5557-01	B030000	B041949	CIRCUIT BD ASSY:Z AXIS	80009	670-5557-01
A70	670-5557-02	B041950		CIRCUIT BD ASSY:Z AXIS	80009	670-5557-02
A70C1053	283-0068-00			CAP,FXD,CER DI:0.01UF,+100-0%,500V	59660	871-533E103P
A70C1054	283-0068-00			CAP,FXD,CER DI:0.01UF,+100-0%,500V	59660	871-533E103P
A70C2023	283-0068-00			CAP,FXD,CER DI:0.01UF,+100-0%,500V	59660	871-533E103P
A70C2024	285-0862-00			CAP,FXD,PLASTIC:0.001,10%,100V	19396	DU490/74-28219
A70C2050	283-0111-00			CAP,FXD,CER DI:0.1UF,20%,50V	05397	C330C104M5U1CA
A70C2051	283-0317-00	B030000	B041949	CAP,FXD,CER DI:1PF,+/-0.1PF,500V	59660	861518COK0109B
A70C2052	283-0068-00	B030000	B041949	CAP,FXD,CER DI:0.01UF,+100-0%,500V	59660	871-533E103P

Component No.	Tektronix		Serial/Assembly No.		Name & Description	Mfr.	
	Part No.	Effective	Dscont			Code	Mfr. Part No.
A70C2053	283-0189-00				CAP,FXD,CER DI:0.1UF,20%,400V	51642	500400X5R 104M
A70C2054	283-0068-00	B030000	B041949		CAP,FXD,CER DI:0.01UF,+100-0%,500V	59660	871-533E103P
A70C2055	283-0189-00	B030000	B041949		CAP,FXD,CER DI:0.1UF,20%,400V	51642	500400X5R 104M
A70C3015	281-0862-00				CAP,FXD,CER DI:0.001UF,+80-20%,100V	04222	MA101C10ZMAA
A70C3026	283-0111-00				CAP,FXD,CER DI:0.1UF,20%,50V	05397	C330C104M5U1CA
A70C3053	281-0619-00				CAP,FXD,CER DI:1.2PF,+/-0.1PF,500V	52763	2RDPLZ007 1P20BC
A70C4026	283-0203-00				CAP,FXD,CER DI:0.47UF,20%,50V	04222	SR305SC474MAA
A70CR1043	152-0141-02				SEMICON DVC,DI:SW,SI,30V,150MA,30V,DO-35	03508	DA2527 (1N4152)
A70CR1045	152-0141-02				SEMICON DVC,DI:SW,SI,30V,150MA,30V,DO-35	03508	DA2527 (1N4152)
A70CR2029	152-0141-02				SEMICON DVC,DI:SW,SI,30V,150MA,30V,DO-35	03508	DA2527 (1N4152)
A70CR2056	152-0141-02	B030000	B041949		SEMICON DVC,DI:SW,SI,30V,150MA,30V,DO-35	03508	DA2527 (1N4152)
A70CR3016	152-0107-00				SEMICON DVC,DI:RECT,SI,400 V,400MA,A1	12969	"G727"
A70CR3017	152-0141-02				SEMICON DVC,DI:SW,SI,30V,150MA,30V,DO-35	03508	DA2527 (1N4152)
A70CR3018	152-0141-02				SEMICON DVC,DI:SW,SI,30V,150MA,30V,DO-35	03508	DA2527 (1N4152)
A70CR3022	152-0141-02				SEMICON DVC,DI:SW,SI,30V,150MA,30V,DO-35	03508	DA2527 (1N4152)
A70CR3023	152-0141-02				SEMICON DVC,DI:SW,SI,30V,150MA,30V,DO-35	03508	DA2527 (1N4152)
A70CR3024	152-0141-02				SEMICON DVC,DI:SW,SI,30V,150MA,30V,DO-35	03508	DA2527 (1N4152)
A70CR3058	152-0107-00	B030000	B041949		SEMICON DVC,DI:RECT,SI,400 V,400MA,A1	12969	"G727"
A70CR3059	152-0107-03				SEMICON DVC,DI:RECT,SI,400V,400MA,A1	04713	1N4004
A70CR3064	152-0107-00	B030000	B041949		SEMICON DVC,DI:RECT,SI,400 V,400MA,A1	12969	"G727"
A70CR3066	152-0107-03				SEMICON DVC,DI:RECT,SI,400V,400MA,A1	04713	1N4004
A70CR4021	152-0141-02				SEMICON DVC,DI:SW,SI,30V,150MA,30V,DO-35	03508	DA2527 (1N4152)
A70CR4022	152-0141-02				SEMICON DVC,DI:SW,SI,30V,150MA,30V,DO-35	03508	DA2527 (1N4152)
A70M1019	149-0046-01				METER,T TOTLZ:5000 HRS,55-700 VDC	80009	149-0046-01
A70Q1015	151-0301-00				TRANSISTOR:PNP,SI,TO-18	04713	ST898
A70Q1017	151-0391-00				TRANSISTOR:PNP,SI,X-81	04713	SPS6867K
A70Q1028	151-0301-00				TRANSISTOR:PNP,SI,TO-18	04713	ST898
A70Q2022	151-0192-00				TRANSISTOR:SELECTED	04713	SPS8801
A70Q2025	151-0302-00				TRANSISTOR:NPN,SI,TO-18	04713	ST899
A70Q2042	151-0302-00				TRANSISTOR:NPN,SI,TO-18	04713	ST899
A70Q2044	151-0302-00				TRANSISTOR:NPN,SI,TO-18	04713	ST899
A70Q3024	151-0290-00				TRANSISTOR:NPN,SI,TO-39	80009	151-0290-00
A70Q3025	151-0134-00				TRANSISTOR:PNP,SI,TO-39	04713	SM3195
A70Q3028	151-0391-00				TRANSISTOR:PNP,SI,X-81	04713	SPS6867K
A70Q3045	151-0302-00	B030000	B041949		TRANSISTOR:NPN,SI,TO-18	04713	ST899
A70Q3047	151-0302-00				TRANSISTOR:NPN,SI,TO-18	04713	ST899
A70Q4058	151-0615-00				TRANSISTOR:NPN,SI,TO-202	04713	SDS358K
A70Q4059	151-0612-00				TRANSISTOR:PNP,SI	04713	SDS359
A70Q4063	151-0615-00	B030000	B041949		TRANSISTOR:NPN,SI,TO-202	04713	SDS358K
A70Q4065	151-0612-00	B030000	B041949		TRANSISTOR:PNP,SI	04713	SDS359
A70R1015	321-0481-00				RES,FXD,FILM:1M OHM,1%,0.125W,TC=TO	19701	5043ED1M000F
A70R1021	311-1198-00				RES,VAR,NONNW:TRMR,20K OHM,0.5W	32997	3386X-T07-203
A70R1022	317-0244-00				RES,FXD,CMPSN:240K OHM,5%,0.125W	01121	BB2445
A70R1023	315-0472-00				RES,FXD,FILM:4.7K OHM,5%,0.25W	57668	NTR25J-E04K7
A70R1024	315-0472-00				RES,FXD,FILM:4.7K OHM,5%,0.25W	57668	NTR25J-E04K7
A70R1025	315-0682-00				RES,FXD,FILM:6.8K OHM,5%,0.25W	57668	NTR25J-E06K8
A70R1026	315-0682-00				RES,FXD,FILM:6.8K OHM,5%,0.25W	57668	NTR25J-E06K8
A70R1027	311-1245-00				RES,VAR,NONNW:TRMR,10K OHM,0.5W	32997	3386X-DY6-103
A70R1030	311-1248-00				RES,VAR,NONNW:TRMR,500 OHM,0.5W	32997	3386X-T07-501
A70R1045	315-0222-00				RES,FXD,FILM:2.2K OHM,5%,0.25W	57668	NTR25J-E02K2
A70R1046	315-0222-00				RES,FXD,FILM:2.2K OHM,5%,0.25W	57668	NTR25J-E02K2
A70R1051	311-1247-00				RES,VAR,NONNW:TRMR,1MEG OHM,0.5W	73138	72XR1MEG-35B
A70R1052	301-0473-00				RES,FXD,FILM:47K OHM,5%,0.5W	19701	5053CX47K00J
A70R1058	311-1241-00				RES,VAR,NONNW:TRMR,100K OHM,0.5W	32997	3386X-T07-104
A70R1063	311-1242-00	B030000	B041949		RES,VAR,NONNW:TRMR,200K OHM,0.5W	32997	3386X-T07-204
A70R1065	301-0104-00				RES,FXD,FILM:100K OHM,5%,0.5W	19701	5053CX100K0J
A70R1066	301-0473-00				RES,FXD,FILM:47K OHM,5%,0.5W	19701	5053CX47K00J
A70R1067	311-1243-00	B030000	B041949		RES,VAR,NONNW:TRMR,500K OHM,0.5W	32997	3386X-T07-504

Replaceable Electrical Parts
492/492P Service Vol. 2 (B030000 & Up)

Component No.	Tektronix Part No.	Serial/Assembly No. Effective	Discont	Name & Description	Mfr. Code	Mfr. Part No.
A70R1068	315-0104-00	B030000	B041949	RES, FXD, FILM: 100K OHM, 5%, 0.25W	57668	NTR25J-E100K
A70R1069	315-0513-00	B030000	B041949	RES, FXD, FILM: 51K OHM, 5%, 0.25W	57668	NTR25J-E51K0
A70R2021	317-0103-00			RES, FXD, CMPSN: 10K OHM, 5%, 0.125W	01121	BB1035
A70R2022	315-0472-00			RES, FXD, FILM: 4.7K OHM, 5%, 0.25W	57668	NTR25J-E04K7
A70R2024	321-0275-00			RES, FXD, FILM: 7.15K OHM, 1%, 0.125W, TC=TO	07716	CEAD71500F
A70R2025	315-0103-00			RES, FXD, FILM: 10K OHM, 5%, 0.25W	19701	5043CX10K00J
A70R2026	315-0682-00			RES, FXD, FILM: 6.8K OHM, 5%, 0.25W	57668	NTR25J-E06K8
A70R2027	315-0103-00			RES, FXD, FILM: 10K OHM, 5%, 0.25W	19701	5043CX10K00J
A70R2028	315-0103-00			RES, FXD, FILM: 10K OHM, 5%, 0.25W	19701	5043CX10K00J
A70R2051	315-0221-00			RES, FXD, FILM: 220 OHM, 5%, 0.25W	57668	NTR25J-E220E
A70R2052	315-0102-00	B030000	B041949	RES, FXD, FILM: 1K OHM, 5%, 0.25W	57668	NTR25JE01K0
A70R2053	315-0102-00	B030000	B041949	RES, FXD, FILM: 1K OHM, 5%, 0.25W	57668	NTR25JE01K0
A70R2054	315-0221-00			RES, FXD, FILM: 220 OHM, 5%, 0.25W	57668	NTR25J-E220E
A70R2055	315-0102-00			RES, FXD, FILM: 1K OHM, 5%, 0.25W	57668	NTR25JE01K0
A70R2056	315-0242-00	B030000	B041949	RES, FXD, FILM: 2.4K OHM, 5%, 0.25W	57668	NTR25J-E02K4
A70R2057	301-0753-00			RES, FXD, FILM: 75K OHM, 5%, 0.5W	01121	EB7535
A70R2058	315-0184-00	B030000	B041949	RES, FXD, FILM: 180K OHM, 5%, 0.25W	19701	5043CX180K0J
A70R2061	315-0101-00			RES, FXD, FILM: 100 OHM, 5%, 0.25W	57668	NTR25J-E 100E
A70R2062	315-0100-00			RES, FXD, FILM: 10 OHM, 5%, 0.25W	19701	5043CX10RR00J
A70R2063	315-0272-00			RES, FXD, FILM: 2.7K OHM, 5%, 0.25W	57668	NTR25J-E02K7
A70R2064	315-0471-00			RES, FXD, FILM: 470 OHM, 5%, 0.25W	57668	NTR25J-E470E
A70R2065	315-0100-00	B030000	B041949	RES, FXD, FILM: 10 OHM, 5%, 0.25W	19701	5043CX10RR00J
A70R2066	315-0102-00	B030000	B041949	RES, FXD, FILM: 1K OHM, 5%, 0.25W	57668	NTR25JE01K0
A70R2067	315-0392-00	B030000	B041949	RES, FXD, FILM: 3.9K OHM, 5%, 0.25W	57668	NTR25J-E03K9
A70R3011	315-0103-00			RES, FXD, FILM: 10K OHM, 5%, 0.25W	19701	5043CX10K00J
A70R3012	315-0102-00			RES, FXD, FILM: 1K OHM, 5%, 0.25W	57668	NTR25JE01K0
A70R3013	315-0102-00			RES, FXD, FILM: 1K OHM, 5%, 0.25W	57668	NTR25JE01K0
A70R3014	315-0103-00			RES, FXD, FILM: 10K OHM, 5%, 0.25W	19701	5043CX10K00J
A70R3015	321-0460-00			RES, FXD, FILM: 604K OHM, 1%, 0.125W, TC=TO	07716	CEAD60402F
A70R3016	315-0123-00			RES, FXD, FILM: 12K OHM, 5%, 0.25W	57668	NTR25J-E12K0
A70R3037	315-0103-00			RES, FXD, FILM: 10K OHM, 5%, 0.25W	19701	5043CX10K00J
A70R3045	315-0100-00			RES, FXD, FILM: 10 OHM, 5%, 0.25W	19701	5043CX10RR00J
A70R3046	315-0100-00			RES, FXD, FILM: 10 OHM, 5%, 0.25W	19701	5043CX10RR00J
A70R3047	315-0100-00	B030000	B041949	RES, FXD, FILM: 10 OHM, 5%, 0.25W	19701	5043CX10RR00J
A70R3052	315-0563-00			RES, FXD, FILM: 56K OHM, 5%, 0.25W	19701	5043CX56K00J
A70R4011	315-0101-00			RES, FXD, FILM: 100 OHM, 5%, 0.25W	57668	NTR25J-E 100E
A70R4012	321-0356-00			RES, FXD, FILM: 49.9K OHM, 1%, 0.125W, TC=TO	19701	5033ED49K90F
A70U2034	156-0733-02			MICROCKT, DGTL: DUAL MONOSTABLE MV W/ST INP	01295	SN74LS221N3
A70U2036	156-0385-02			MICROCKT, DGTL: HEX INVERTER, SCRNL	07263	74LS04PCQR
A70U2038	156-0467-02			MICROCKT, DGTL: QUAD 2-INP NAND BFR W/OC OUT	01295	SN74LS38NP3
A70U2039	156-0452-02			MICROCKT, DGTL: 4-WIDE, 2-INP AOI, SCREENED	04713	SN74LS54 ND/JD
A70U2045	156-0469-02			MICROCKT, DGTL: 3/8 LINE DCDR, SCRNL	01295	SN74LS138NP3
A70U3029	156-0206-02			MICROCKT, DGTL: CORE DRIVER, SCREENED	01295	SN75325(N OR J)
A70U3034	156-0206-02			MICROCKT, DGTL: CORE DRIVER, SCREENED	01295	SN75325(N OR J)
A70U3038	156-0206-02			MICROCKT, DGTL: CORE DRIVER, SCREENED	01295	SN75325(N OR J)
A70U3046	156-0913-02			MICROCKT, DGTL: OCTAL D FF W/ENABLE, SCRNL	01295	SN74LS377NP3
A70U4023	156-0067-12			MICROCKT, LINEAR: OPERATIONAL AMPLIFIER	01295	UA741CJG
A70VR1052	152-0288-00			SEMICONDC DVC, DI: ZEN, SI, 140V, 5%, 400MW	04713	SZ11824RL
A70VR2014	152-0265-00			SEMICONDC DVC, DI: ZEN, SI, 24V, 5%, 0.4W	14552	TD3810986
A70VR2062	152-0087-00			SEMICONDC DVC, DI: ZEN, SI, 100V, 5%, 1W, A31A	04713	SZ1627RL
A70VR3015	152-0281-00			SEMICONDC DVC, DI: ZEN, SI, 22V, 5%, 0.4W, DO-7	12954	1N969B/DO-35
A72	670-5549-01	B030000	B042579	CIRCUIT BD ASSY: SWEEP	80009	670-5549-01
A72	670-5549-02	B042580	B053922	CIRCUIT BD ASSY: SWEEP	80009	670-5549-02
A72	670-5549-03	B053923	B056104	CIRCUIT BD ASSY: SWEEP	80009	670-5549-03
A72	670-5549-03	B056009	B056009	CIRCUIT BD ASSY: SWEEP	80009	670-5549-03
A72	670-5549-04	B056010	B056104	CIRCUIT BD ASSY: SWEEP	80009	670-5549-04
A72	670-5549-05	B056105		CIRCUIT BD ASSY: SWEEP	80009	670-5549-05
A72C1013	283-0110-00	B030000	B053922	CAP, FXD, CER DI: 0.005UF, +80-20%, 150V	59660	855-547-E-502Z

Replaceable Electrical Parts
492/492P Service Vol. 2 (B030000 & Up)

Component No.	Tektronix Part No.	Serial/Assembly No. Effective Dscont	Name & Description	Mfr. Code	Mfr. Part No.
A72C1013	283-0003-00	B053923	CAP, FXD, CER DI: 0.01UF, +80-20%, 150V	59821	D103Z40Z5UJDC EX
A72C1032	283-0111-00		CAP, FXD, CER DI: 0.1UF, 20%, 50V	05397	C330C104M5U1CA
A72C1033	283-0177-00		CAP, FXD, CER DI: 1UF, +80-20%, 25V	04222	SR302E105ZAATR
A72C1038	283-0111-00		CAP, FXD, CER DI: 0.1UF, 20%, 50V	05397	C330C104M5U1CA
A72C1083	283-0108-00		CAP, FXD, CER DI: 220PF, 10%, 200V	31433	C320C221K2G5CA
A72C2042	283-0111-00		CAP, FXD, CER DI: 0.1UF, 20%, 50V	05397	C330C104M5U1CA
A72C2067	283-0004-00		CAP, FXD, CER DI: 0.02UF, +80-20%, 150V	59660	855-558Z5V0203Z
A72C2085	283-0212-00		CAP, FXD, CER DI: 2UF, 20%, 50V	04222	SR405E205MAA
A72C2094	295-0171-00		CAP SET, MATCHED: 510PF, 5UF, 0.05UF, MATCHED 1%	84411	TEK-140-000-51
A72C2098	295-0171-00		CAP SET, MATCHED: 510PF, 5UF, 0.05UF, MATCHED 1%	84411	TEK-140-000-51
A72C3027	283-0203-00	B030000	CAP, FXD, CER DI: 0.47UF, 20%, 50V	04222	SR305SC474MAA
A72C3027	283-0212-00	B042580	CAP, FXD, CER DI: 2UF, 20%, 50V	04222	SR405E205MAA
A72C3028	290-0536-00		CAP, FXD, ELCTLT: 10UF, 20%, 25V TANTALUM	05397	T368B106M025AS
A72C3069	290-0755-00		CAP, FXD, ELCTLT: 100UF, +50%-20%, 10WVDC	54473	ECE-A10V100L
A72C3071	283-0108-00		CAP, FXD, CER DI: 220PF, 10%, 200V	31433	C320C221K2G5CA
A72C3075	283-0212-00		CAP, FXD, CER DI: 2UF, 20%, 50V	04222	SR405E205MAA
A72C3079	295-0171-00		CAP SET, MATCHED: 510PF, 5UF, 0.05UF, MATCHED 1%	84411	TEK-140-000-51
A72C4059	283-0111-00		CAP, FXD, CER DI: 0.1UF, 20%, 50V	05397	C330C104M5U1CA
A72C4069	283-0111-00		CAP, FXD, CER DI: 0.1UF, 20%, 50V	05397	C330C104M5U1CA
A72C4082	283-0111-00		CAP, FXD, CER DI: 0.1UF, 20%, 50V	05397	C330C104M5U1CA
A72C4084	290-0768-00		CAP, FXD, ELCTLT: 10UF, +50-20%, 100WVDC	54473	ECE-A100V10L
A72C4087	290-0574-00		CAP, FXD, ELCTLT: 47UF, 10%, 20V	05397	T368C476K0202AS
A72C4091	283-0094-00	B030000	CAP, FXD, CER DI: 27PF, 10%, 200V	59821	2DDT73K270K
A72C4109	283-0111-00	B053922	CAP, FXD, CER DI: 0.1UF, 20%, 50V	05397	C330C104M5U1CA
A72C5024	283-0111-00		CAP, FXD, CER DI: 0.1UF, 20%, 50V	05397	C330C104M5U1CA
A72C5044	283-0111-00		CAP, FXD, CER DI: 0.1UF, 20%, 50V	05397	C330C104M5U1CA
A72C5058	283-0168-00		CAP, FXD, CER DI: 12PF, 5%, 100V	05397	C315C120J165CA
A72C5059	283-0111-00		CAP, FXD, CER DI: 0.1UF, 20%, 50V	05397	C330C104M5U1CA
A72C5061	283-0204-00		CAP, FXD, CER DI: 0.01UF, 20%, 50V	04222	SR155E103MAA
A72C5078	283-0004-00		CAP, FXD, CER DI: 0.02UF, +80-20%, 150V	59660	855-558Z5V0203Z
A72C5091	290-0309-00		CAP, FXD, ELCTLT: 100UF, 20%, 25V	26769	40LW107B025 MIA
A72C6060	283-0108-00	B056105	CAP, FXD, CER DI: 220PF, 10%, 200V	31433	C320C221K2G5CA
A72C6061	283-0111-00		CAP, FXD, CER DI: 0.1UF, 20%, 50V	05397	C330C104M5U1CA
A72C6062	283-0111-00		CAP, FXD, CER DI: 0.1UF, 20%, 50V	05397	C330C104M5U1CA
A72C6071	283-0330-00		CAP, FXD, CER DI: 100PF, 5%, 50V	05397	C320C101J5R5CA
A72C6072	283-0198-00		CAP, FXD, CER DI: 0.22UF, 20%, 50V	05397	C330C224M5U1CA
A72C6083	283-0198-00		CAP, FXD, CER DI: 0.22UF, 20%, 50V	05397	C330C224M5U1CA
A72C7092	283-0111-00		CAP, FXD, CER DI: 0.1UF, 20%, 50V	05397	C330C104M5U1CA
A72CR1035	152-0141-02		SEMICON DVC, DI: SW, SI, 30V, 150MA, 30V, DO-35	03508	DA2527 (1N4152)
A72CR1088	152-0141-02		SEMICON DVC, DI: SW, SI, 30V, 150MA, 30V, DO-35	03508	DA2527 (1N4152)
A72CR1089	152-0141-02		SEMICON DVC, DI: SW, SI, 30V, 150MA, 30V, DO-35	03508	DA2527 (1N4152)
A72CR2075	152-0322-00		SEMICON DVC, DI: SCHOTTKY, SI, 15V, DO-35	50434	5082-2672
A72CR2086	152-0141-02		SEMICON DVC, DI: SW, SI, 30V, 150MA, 30V, DO-35	03508	DA2527 (1N4152)
A72CR2101	152-0246-00		SEMICON DVC, DI: SW, SI, 40V, 200MA, DO-7	14433	WG1537TK
A72CR2102	152-0246-00		SEMICON DVC, DI: SW, SI, 40V, 200MA, DO-7	14433	WG1537TK
A72CR3034	152-0141-02		SEMICON DVC, DI: SW, SI, 30V, 150MA, 30V, DO-35	03508	DA2527 (1N4152)
A72CR3035	152-0141-02		SEMICON DVC, DI: SW, SI, 30V, 150MA, 30V, DO-35	03508	DA2527 (1N4152)
A72L4065	108-0417-01		COIL, RF: FIXED, 110UH	80009	108-0417-01
A72Q1047	151-0302-00		TRANSISTOR: NPN, SI, TO-18	04713	ST899
A72Q1078	151-0232-00		TRANSISTOR: NPN, SI, TO-78	07263	SP12141
A72Q2074	151-0302-00		TRANSISTOR: NPN, SI, TO-18	04713	ST899
A72Q2084	151-0232-00		TRANSISTOR: NPN, SI, TO-78	07263	SP12141
A72Q2107	151-1022-00		TRANSISTOR: FET, N-CHAN, SI, TO-18	80009	151-1022-00
A72Q3090	151-1022-00		TRANSISTOR: FET, N-CHAN, SI, TO-18	80009	151-1022-00
A72Q3095	151-1022-00		TRANSISTOR: FET, N-CHAN, SI, TO-18	80009	151-1022-00
A72Q3100	151-1022-00		TRANSISTOR: FET, N-CHAN, SI, TO-18	80009	151-1022-00
A72Q4051	151-0302-00		TRANSISTOR: NPN, SI, TO-18	04713	ST899
A72Q4052	151-0302-00		TRANSISTOR: NPN, SI, TO-18	04713	ST899

Replaceable Electrical Parts
492/492P Service Vol. 2 (B030000 & Up)

Component No.	Tektronix Part No.	Serial/Assembly No. Effective	Discont	Name & Description	Mfr. Code	Mfr. Part No.
A72R1011	315-0104-00			RES,FXD,FILM:100K OHM,5%,0.25W	57668	NTR25J-E100K
A72R1012	315-0101-00			RES,FXD,FILM:100 OHM,5%,0.25W	57668	NTR25J-E 100E
A72R1018	315-0103-00			RES,FXD,FILM:10K OHM,5%,0.25W	19701	5043CX10K00J
A72R1019	315-0153-00			RES,FXD,FILM:15K OHM,5%,0.25W	19701	5043CX15K00J
A72R1028	315-0103-00			RES,FXD,FILM:10K OHM,5%,0.25W	19701	5043CX10K00J
A72R1029	315-0101-00			RES,FXD,FILM:100 OHM,5%,0.25W	57668	NTR25J-E 100E
A72R1034	315-0103-00			RES,FXD,FILM:10K OHM,5%,0.25W	19701	5043CX10K00J
A72R1035	315-0102-00			RES,FXD,FILM:1K OHM,5%,0.25W	57668	NTR25JE01K0
A72R1036	315-0102-00			RES,FXD,FILM:1K OHM,5%,0.25W	57668	NTR25JE01K0
A72R1043	315-0103-00			RES,FXD,FILM:10K OHM,5%,0.25W	19701	5043CX10K00J
A72R1073	315-0103-00			RES,FXD,FILM:10K OHM,5%,0.25W	19701	5043CX10K00J
A72R1078	315-0154-00	B056010		RES,FXD,FILM:150K OHM,5%,0.25W	57668	NTR25J-E150K
A72R1082	315-0302-00	B030000	B056010	RES,FXD,FILM:3K OHM,5%,0.25W	57668	NTR25J-E03K0
A72R1082	315-0222-00	B056010		RES,FXD,FILM:2.2K OHM,5%,0.25W	57668	NTR25J-E02K2
A72R1084	315-0302-00			RES,FXD,FILM:3K OHM,5%,0.25W	57668	NTR25J-E03K0
A72R1085	315-0103-00			RES,FXD,FILM:10K OHM,5%,0.25W	19701	5043CX10K00J
A72R2012	321-0259-00			RES,FXD,FILM:4.87K OHM,1%,0.125W,TC=TO	07716	CEAD48700F
A72R2013	321-0163-00			RES,FXD,FILM:487 OHM,1%,0.125W,TC=TO	07716	CEAD487R0F
A72R2062	315-0102-00			RES,FXD,FILM:1K OHM,5%,0.25W	57668	NTR25JE01K0
A72R2066	315-0101-00			RES,FXD,FILM:100 OHM,5%,0.25W	57668	NTR25J-E 100E
A72R2077	315-0302-00	B030000	B056009	RES,FXD,FILM:3K OHM,5%,0.25W	57668	NTR25J-E03K0
A72R2077	315-0222-00	B056010		RES,FXD,FILM:2.2K OHM,5%,0.25W	57668	NTR25J-E02K2
A72R2078	315-0272-00	B030000	B056009	RES,FXD,FILM:2.7K OHM,5%,0.25W	57668	NTR25J-E02K7
A72R2078	315-0911-00	B056010		RES,FXD,FILM:910 OHM,5%,0.25W	57668	NTR25J-E910E
A72R2081	315-0103-00			RES,FXD,FILM:10K OHM,5%,0.25W	19701	5043CX10K00J
A72R2082	315-0103-00			RES,FXD,FILM:10K OHM,5%,0.25W	19701	5043CX10K00J
A72R2083	315-0272-00	B030000	B056009	RES,FXD,FILM:2.7K OHM,5%,0.25W	57668	NTR25J-E02K7
A72R2083	315-0911-00	B056010		RES,FXD,FILM:910 OHM,5%,0.25W	57668	NTR25J-E910E
A72R2084	315-0154-00	B056010		RES,FXD,FILM:150K OHM,5%,0.25W	57668	NTR25J-E150K
A72R2092	315-0104-00			RES,FXD,FILM:100K OHM,5%,0.25W	57668	NTR25J-E100K
A72R2093	315-0104-00			RES,FXD,FILM:100K OHM,5%,0.25W	57668	NTR25J-E100K
A72R2099	315-0821-00			RES,FXD,FILM:820 OHM,5%,0.25W	19701	5043CX820R0J
A72R2105	315-0104-00			RES,FXD,FILM:100K OHM,5%,0.25W	57668	NTR25J-E100K
A72R3011	315-0106-00			RES,FXD,FILM:10M OHM,5%,0.25W	01121	CB1065
A72R3012	315-0153-00			RES,FXD,FILM:15K OHM,5%,0.25W	19701	5043CX15K00J
A72R3013	315-0103-00			RES,FXD,FILM:10K OHM,5%,0.25W	19701	5043CX10K00J
A72R3016	315-0105-00			RES,FXD,FILM:1M OHM,5%,0.25W	19701	5043CX1M000J
A72R3017	321-0256-00			RES,FXD,FILM:4.53K OHM,1%,0.125W,TC=T9	19701	5033ED4K530F
A72R3022	315-0153-00			RES,FXD,FILM:15K OHM,5%,0.25W	19701	5043CX15K00J
A72R3023	315-0103-00			RES,FXD,FILM:10K OHM,5%,0.25W	19701	5043CX10K00J
A72R3025	315-0391-00			RES,FXD,FILM:390 OHM,5%,0.25W	57668	NTR25J-E390E
A72R3027	315-0104-00			RES,FXD,FILM:100K OHM,5%,0.25W	57668	NTR25J-E100K
A72R3082	315-0302-00			RES,FXD,FILM:3K OHM,5%,0.25W	57668	NTR25J-E03K0
A72R3086	315-0103-00			RES,FXD,FILM:10K OHM,5%,0.25W	19701	5043CX10K00J
A72R3087	315-0100-00			RES,FXD,FILM:10 OHM,5%,0.25W	19701	5043CX10R000J
A72R3103	315-0104-00	B030000	B042579	RES,FXD,FILM:100K OHM,5%,0.25W	57668	NTR25J-E100K
A72R3103	321-0431-00	B042580		RES,FXD,FILM:301K OHM,1%,0.125W,TC=TO	07716	CEAD30102F
A72R3104	315-0511-00			RES,FXD,FILM:510 OHM,5%,0.25W	19701	5043CX510R0J
A72R3105	321-0317-00	B030000	B042579	RES,FXD,FILM:19.6K OHM,1%,0.125W,TC=TO	07716	CEAD19601F
A72R3105	321-0384-00	B042580		RES,FXD,FILM:97.6K OHM,1%,0.125W,TC=TO	07716	CEAD97601F
A72R3106	315-0472-00			RES,FXD,FILM:4.7K OHM,5%,0.25W	57668	NTR25J-E04K7
A72R4051	315-0272-00			RES,FXD,FILM:2.7K OHM,5%,0.25W	57668	NTR25J-E02K7
A72R4052	315-0182-00			RES,FXD,FILM:1.8K OHM,5%,0.25W	57668	NTR25J-E1K8
A72R4057	315-0182-00			RES,FXD,FILM:1.8K OHM,5%,0.25W	57668	NTR25J-E1K8
A72R4058	315-0272-00			RES,FXD,FILM:2.7K OHM,5%,0.25W	57668	NTR25J-E02K7
A72R4091	315-0470-00			RES,FXD,FILM:47 OHM,5%,0.25W	57668	NTR25J-E47E0
A72R4098	321-0233-00	B030000	B042579	RES,FXD,FILM:2.61K OHM,1%,0.125W,TC=TO	07716	CEAD26100F
A72R4098	321-0307-00	B042580		RES,FXD,FILM:15.4K OHM,1%,0.125W,TC=TO	19701	5043ED15K40F

Component No.	Tektronix		Serial/Assembly No.		Name & Description	Mfr. Code	Mfr. Part No.
	Part No.	Effective	Discont				
A72R4105	321-0393-00				RES, FXD, FILM: 121K OHM, 1%, 0.125W, TC=TO	19701	5043ED121K0F
A72R5064	321-0258-00				RES, FXD, FILM: 4.75K OHM, 1%, 0.125W, TC=TO	19701	5033ED4K750F
A72R5065	321-0258-00				RES, FXD, FILM: 4.75K OHM, 1%, 0.125W, TC=TO	19701	5033ED4K750F
A72R5074	315-0200-00				RES, FXD, FILM: 20 OHM, 5%, 0.25W	19701	5043CX20R00J
A72R5081	315-0101-00				RES, FXD, FILM: 100 OHM, 5%, 0.25W	57668	NTR25J-E 100E
A72R5091	315-0122-00				RES, FXD, FILM: 1.2K OHM, 5%, 0.25W	57668	NTR25J-E01K2
A72R5092	321-0318-07				RES, FXD, FILM: 20.0K OHM, 0.1%, 0.125W, TC=T9	19701	5033RE20K00BCM
A72R5094	321-0816-07				RES, FXD, FILM: 5K OHM, 0.1%, 0.125W, TC=T9	19701	5033RE5K000B
A72R5102	321-0995-00				RES, FXD, FILM: 549K OHM, 1%, 0.125W, TC=TO	24546	NA55D5493F
A72R5103	321-1388-01				RES, FXD, FILM: 109K OHM, 0.5%, 0.125W, TC=TO	24546	NA55D1093D
A72R5104	321-0427-00				RES, FXD, FILM: 274K OHM, 1%, 0.125W, TC=TO	24546	NA55D2743F
A72R5105	311-1240-00				RES, VAR, NONWV: TRMR, 25K OHM, 10%, 0.5W	32997	3386X-T07-253
A72R5151	311-1240-00				RES, VAR, NONWV: TRMR, 25K OHM, 10%, 0.5W	32997	3386X-T07-253
A72R6052	321-0310-00				RES, FXD, FILM: 16.5K OHM, 1%, 0.125W, TC=TO	19701	5033ED16K50F
A72R6058	315-0752-00				RES, FXD, FILM: 7.5K OHM, 5%, 0.25W	57668	NTR25J-E07K5
A72R6059	315-0470-00				RES, FXD, FILM: 47 OHM, 5%, 0.25W	57668	NTR25J-E47E0
A72R6066	315-0470-00				RES, FXD, FILM: 47 OHM, 5%, 0.25W	57668	NTR25J-E47E0
A72R6067	315-0562-00				RES, FXD, FILM: 5.6K OHM, 5%, 0.25W	57668	NTR25J-E05K6
A72R6071	321-0301-00				RES, FXD, FILM: 13.3K OHM, 1%, 0.125W, TC=TO	07716	CEAD13301F
A72R6072	315-0101-00				RES, FXD, FILM: 100 OHM, 5%, 0.25W	57668	NTR25J-E 100E
A72R6081	315-0183-00				RES, FXD, FILM: 18K OHM, 5%, 0.25W	19701	5043CX18K00J
A72R6082	315-0822-00				RES, FXD, FILM: 8.2K OHM, 5%, 0.25W	19701	5043CX8K200J
A72R6083	315-0101-00				RES, FXD, FILM: 100 OHM, 5%, 0.25W	57668	NTR25J-E 100E
A72R6086	321-0289-00				RES, FXD, FILM: 10.0K OHM, 1%, 0.125W, TC=TO	19701	5033ED10K0F
A72R6091	321-0318-00				RES, FXD, FILM: 20.0K OHM, 1%, 0.125W, TC=TO	19701	5033ED20K00F
A72R6092	321-0289-00				RES, FXD, FILM: 10.0K OHM, 1%, 0.125W, TC=TO	19701	5033ED10K0F
A72R6094	321-0983-00				RES, FXD, FILM: 4.5 MEG OHM, 1%, 0.125W, TC=TO	91637	CMF55116-G45003F
A72R6095	321-1627-06				RES, FXD, FILM: 731.3K OHM, 0.25%, 0.125W, TC=T9	19701	5033RE731K32C
A72R6101	321-0280-00				RES, FXD, FILM: 8.06K OHM, 1%, 0.125W, TC=TO	19701	5033ED8K060F
A72R6102	321-0352-00				RES, FXD, FILM: 45.3K OHM, 1%, 0.125W, TC=TO	07716	CEAD45301F
A72R6103	321-0807-00				RES, FXD, FILM: 900K OHM, 1%, 0.125W, TC=TO	19701	5033RD900K0F
A72R6104	321-0510-07				RES, FXD, FILM: 2.00 MEG OHM, 0.1%, 0.125W, TC=TO	19701	5033RE2M00B
A72R7091	321-0244-00	B030000	B042579		RES, FXD, FILM: 3.40K OHM, 1%, 0.125W, TC=TO	19701	5043ED3K400F
A72R7091	321-0321-00	B042580			RES, FXD, FILM: 21.5K OHM, 1%, 0.125W, TC=TO	07716	CEAD21501F
A72R7093	321-0274-00	B030000	B042579		RES, FXD, FILM: 6.98K OHM, 1%, 0.125W, TC=TO	19701	5043ED6K980F
A72R7093	321-0350-00	B042580			RES, FXD, FILM: 43.2K OHM, 1%, 0.125W, TC=TO	19701	5043ED43K20F
A72R7101	321-1484-03				RES, FXD, FILM: 1.09M OHM, 0.25%, 0.125W	91637	HFF188D10903C
A72R7102	321-0291-00	B030000	B042579		RES, FXD, FILM: 10.5K OHM, 1%, 0.125W, TC=TO	19701	5033ED10K50F
A72R7102	321-0367-00	B042580			RES, FXD, FILM: 64.9K OHM, 1%, 0.125W, TC=TO	07716	CEAD64901F
A72R7103	321-0274-00	B030000	B042579		RES, FXD, FILM: 6.98K OHM, 1%, 0.125W, TC=TO	19701	5043ED6K980F
A72R7103	321-0350-00	B042580			RES, FXD, FILM: 43.2K OHM, 1%, 0.125W, TC=TO	19701	5043ED43K20F
A72U1052	156-0385-02				MICROCKT, DGTL: HEX INVERTER, SCRNL	07263	74LS04PCQR
A72U2015	156-0411-00				MICROCKT, LINEAR: SGL SPLY COMPARTOR	04713	LM339N
A72U2024	156-0388-03				MICROCKT, DGTL: DUAL D FLIP-FLOP, SCRNL	01295	SN74LS74ANP3
A72U2034	156-0388-03				MICROCKT, DGTL: DUAL D FLIP-FLOP, SCRNL	01295	SN74LS74ANP3
A72U2043	156-0391-02				MICROCKT, DGTL: HEX LATCH W/CLEAR, SCRNL	01295	SN74LS174NP3
A72U3034	156-0798-02				MICROCKT, DGTL: DUAL 14/1-LINE SEL/MUX SCRNL	01295	SN74LS153NP3
A72U3042	156-0391-02				MICROCKT, DGTL: HEX LATCH W/CLEAR, SCRNL	01295	SN74LS174NP3
A72U3061	156-0382-02				MICROCKT, DGTL: QUAD 2 INP NAND GATE BURN	18324	N74LS00NB
A72U4016	156-0383-02				MICROCKT, DGTL: QUAD 2-INP NOR GATE, SCRNL	18324	N74LS02NB
A72U4026	156-0153-02				MICROCKT, DGTL: HEX INVERTER BUFFER, SCRNL	18324	N7406(NB OR FB)
A72U4095	156-1249-00				MICROCKT, LINEAR: VOLTAGE REFERENCE	24355	AD40227
A72U4101	156-0512-02	B030000	B041473		MICROCKT, LINEAR: OPNL AMPL, SELECTED (492 ONLY)	04713	LM308J-8DS
A72U4101	156-0512-03	B041474	B053922		MICROCKT, LINEAR: OPNL AMPL (492 ONLY)	04713	LM308J-8
A72U4101	156-0512-02	B030000	B041669		MICROCKT, LINEAR: OPNL AMPL, SELECTED (492P ONLY)	04713	LM308J-8DS

Replaceable Electrical Parts
492/492P Service Vol. 2 (B030000 & Up)

Component No.	Tektronix Part No.	Serial/Assembly No. Effective	Dscont	Name & Description	Mfr. Code	Mfr. Part No.
A72U4101	156-0512-03	B041670	B053922	MICROCKT, LINEAR: OPNL AMPL (492P ONLY)	04713	LM308J-8
A72U4101	156-1582-00	B053923		MICROCKT, LINEAR: OPERATIONAL AMPL, SCREENED (492 ONLY)	80009	156-1582-00
A72U4101	156-1582-00	B053923		MICROCKT, LINEAR: OPERATIONAL AMPL, SCREENED (492P ONLY)	80009	156-1582-00
A72U5016	156-0382-02			MICROCKT, DGTL: QUAD 2 INP NAND GATE BURN	18324	N74LS00NB
A72U5026	156-0388-03			MICROCKT, DGTL: DUAL D FLIP-FLOP, SCRN	01295	SN74LS74ANP3
A72U5033	156-0956-02			MICROCKT, DGTL: OCTAL BFR W/3 STATE OUT, SCRN	01295	SN74LS244NP3
A72U5043	156-0469-02			MICROCKT, DGTL: 3/8 LINE DCDR, SCRN	01295	SN74LS138NP3
A72U5052	156-0382-02			MICROCKT, DGTL: QUAD 2 INP NAND GATE BURN	18324	N74LS00NB
A72U5085	156-0411-00			MICROCKT, LINEAR: SGL SPLY COMPARATOR	04713	LM339N
A72U6061	156-0742-02			MICROCKT, LINEAR: OPNL AMPL, SELECTED	27014	LM318N/A+
A72U6071	156-0512-02	B030000	B041473	MICROCKT, LINEAR: OPNL AMPL, SELECTED (492 ONLY)	04713	LM308J-8DS
A72U6071	156-0512-03	B041474		MICROCKT, LINEAR: OPNL AMPL (492 ONLY)	04713	LM308J-8
A72U6071	156-0512-02	B030000	B041669	MICROCKT, LINEAR: OPNL AMPL, SELECTED (492P ONLY)	04713	LM308J-8DS
A72U6071	156-0512-03	B041670		MICROCKT, LINEAR: OPNL AMPL (492P ONLY)	04713	LM308J-8
A72U6092	156-0158-04			MICROCKT, LINEAR: DUAL OPNL AMPL	01295	MC1458JG
A72U6102	156-1270-00			MICROCKT, LINEAR: 8 CHAN ANALOG MULTIPLEXER	06665	MUX08-063Q
A72VR2093	152-0611-00			SEMICON DVC, DI: ZEN, SI, 9V, 2%, 0.4W, DO-7	04713	SZ14347
A72VR2103	152-0437-00			SEMICON DVC, DI: ZEN, SI, 8.2V, 2%, 0.4W, DO-7	04713	SZG14RL
A72VR3106	152-0437-00			SEMICON DVC, DI: ZEN, SI, 8.2V, 2%, 0.4W, DO-7	04713	SZG14RL
A72VR6086	152-0127-00			SEMICON DVC, DI: ZEN, SI, 7.5V, 5%, 0.4W, DO-7	14433	Z5347 (1N958B)
A72W1028	131-0993-00			BUS, CONDUCTOR: SHUNT ASSEMBLY, BLACK	22526	65474-005
A72W3011	131-0993-00			BUS, CONDUCTOR: SHUNT ASSEMBLY, BLACK	22526	65474-005
A72W4105	131-0993-00			BUS, CONDUCTOR: SHUNT ASSEMBLY, BLACK	22526	65474-005
A74	670-5559-00	B030000	B040219	CIRCUIT BD ASSY: HIGH VOLTAGE	80009	670-5559-00
A74	670-5559-01	B040220	B042289	CIRCUIT BD ASSY: HIGH VOLTAGE	80009	670-5559-01
A74	670-5559-03	B042290	B055210	CIRCUIT BD ASSY: HIGH VOLTAGE	80009	670-5559-03
A74	670-5559-04	B055211	B055871	CIRCUIT BD ASSY: HIGH VOLTAGE	80009	670-5559-04
A74	670-5559-06	B055872	B056119	CIRCUIT BD ASSY: HIGH VOLTAGE	80009	670-5559-06
A74	670-5559-07	B056120		CIRCUIT BD ASSY: HIGH VOLTAGE	80009	670-5559-07
A74C1038	283-0177-00			CAP, FXD, CER DI: 1UF, +80-20%, 25V	04222	SR302E105ZAATR
A74C1043	283-0208-00			CAP, FXD, CER DI: 0.22UF, 10%, 200V	04222	SR506C224KAA
A74C1058	283-0615-00	B030000	B040219	CAP, FXD, MICA DI: 33PF, 5%, 500V	00853	D155E330J0
A74C1058	283-0728-00	B040220		CAP, FXD, MICA DI: 120PF, 1%, 500V	00853	D155F121F0
A74C2084	290-0414-00			CAP, FXD, ELCTLT: 8UF, +50-10%, 200V	56289	600D805F200DE4
A74C3067	283-0615-00	B030000	B040219	CAP, FXD, MICA DI: 33PF, 5%, 500V	00853	D155E330J0
A74C3073	283-0197-00			CAP, FXD, CER DI: 470PF, 5%, 50V	04222	SR205A471JAA
A74C3076	283-0005-00	B030000	B042289	CAP, FXD, CER DI: 0.01UF, +100-0%, 250V	04222	SR303E103ZAA
A74C3076	283-0220-03	B042290	B056119	CAP, FXD, CER DI: 0.01UF, 20%, 50V SQUARE	04222	SR155C103MAA
A74C3076	283-0167-00	B056120		CAP, FXD, CER DI: 0.1UF, 10%, 100V	04222	3430-100C-104K
A74C3086	283-0198-00			CAP, FXD, CER DI: 0.22UF, 20%, 50V	05397	C330C224M5U1CA
A74C3088	283-0198-00			CAP, FXD, CER DI: 0.22UF, 20%, 50V	05397	C330C224M5U1CA
A74C4072	283-0210-00			CAP, FXD, CER DI: 0.0056UF, 20%, 100V	51642	300 100-X7R-562M
A74CR1044	152-0107-03			SEMICON DVC, DI: RECT, SI, 400V, 400MA, A1	04713	1N4004
A74CR1046	152-0242-00			SEMICON DVC, DI: SIG, SI, 225V, 0.2A, DO-7	07263	FDH5004
A74CR1047	152-0141-02	B040220		SEMICON DVC, DI: SW, SI, 30V, 150MA, 30V, DO-35	03508	DA2527 (1N4152)
A74CR1048	152-0141-02	B040220		SEMICON DVC, DI: SW, SI, 30V, 150MA, 30V, DO-35	03508	DA2527 (1N4152)
A74CR1049	152-0107-03			SEMICON DVC, DI: RECT, SI, 400V, 400MA, A1	04713	1N4004
A74CR1056	152-0242-00			SEMICON DVC, DI: SIG, SI, 225V, 0.2A, DO-7	07263	FDH5004
A74CR1086	152-0400-00			SEMICON DVC, DI: RECT, SI, 400V, 1A	04713	SR1977K
A74CR2044	152-0242-00			SEMICON DVC, DI: SIG, SI, 225V, 0.2A, DO-7	07263	FDH5004
A74CR2046	152-0242-00			SEMICON DVC, DI: SIG, SI, 225V, 0.2A, DO-7	07263	FDH5004
A74CR3077	152-0141-02			SEMICON DVC, DI: SW, SI, 30V, 150MA, 30V, DO-35	03508	DA2527 (1N4152)
A74CR4061	152-0242-00	B030000	B040219	SEMICON DVC, DI: SIG, SI, 225V, 0.2A, DO-7	07263	FDH5004

Replaceable Electrical Parts
492/492P Service Vol. 2 (B030000 & Up)

Component No.	Tektronix Part No.	Serial/Assembly No. Effective	Discont	Name & Description	Mfr. Code	Mfr. Part No.
A74CR4062	152-0242-00	B030000	B040219	SEMICON DVC,DI:SIG,SI,225V,0.2A,DO-7	07263	FDH5004
A74CR4064	152-0242-00	B030000	B040219	SEMICON DVC,DI:SIG,SI,225V,0.2A,DO-7	07263	FDH5004
A74CR4071	152-0141-02			SEMICON DVC,DI:SW,SI,30V,150MA,30V,DO-35	03508	DA2527 (1N4152)
A74CR4077	152-0141-02			SEMICON DVC,DI:SW,SI,30V,150MA,30V,DO-35	03508	DA2527 (1N4152)
A74CR4078	152-0141-02			SEMICON DVC,DI:SW,SI,30V,150MA,30V,DO-35	03508	DA2527 (1N4152)
A74J2084	131-2196-00			CONN,RCPT,ELEC:CKT BD,6/12,FEMALE	00779	3-85927-6
A74Q1073	151-0423-00			TRANSISTOR:NPN,SI,TO-220	TK0961	NTC2333L
A74Q4028	151-0443-00	B042200		TRANSISTOR:PNP,SI,TO-92	04713	SPS7950
A74R1042	315-0102-00			RES,FXD,FILM:1K OHM,5%,0.25W	57668	NTR25JE01K0
A74R1043	301-0472-00			RES,FXD,FILM:4.7K OHM,5%,0.5W	19701	5053CX4K700J
A74R1048	315-0224-00			RES,FXD,FILM:220K OHM,5%,0.25W	57668	NTR25J-E220K
A74R1051	315-0104-00	B030000	B040219	RES,FXD,FILM:100K OHM,5%,0.25W	57668	NTR25J-E100K
A74R1051	315-0334-00	B040220		RES,FXD,FILM:330K OHM,5%,0.25W	57668	NTR25J-E 330K
A74R2012	308-0685-00	B030000	B055210	RES,FXD,WW:1.5 OHM,5%,1W	75042	BW-20-1R500J
A74R2012	308-0581-00	B055211		RES,FXD,WW:4.75 OHM,0.5%,0.5W	00213	500S 4R750D
A74R2040	311-1287-00	B040220		RES,VAR,NONWW:TRMR,100K OHM,0.5W	32997	3329S-L58-104
A74R2050	315-0104-00	B040220		RES,FXD,FILM:100K OHM,5%,0.25W	57668	NTR25J-E100K
A74R3033	311-1968-00			RES,VAR,NONWW:PNL,5M OHM,20%,0.5W	01121	72M4N048S505M
A74R3071	315-0431-00	B030000	B056119	RES,FXD,FILM:430 OHM,5%,0.25W	19701	5043CX430R0J
A74R3071	315-0221-00	B056120		RES,FXD,FILM:220 OHM,5%,0.25W	57668	NTR25J-E220E
A74R3072	315-0512-00	B030000	B056119	RES,FXD,FILM:5.1K OHM,5%,0.25W	57668	NTR25J-E05K1
A74R3072	315-0392-00	B056120		RES,FXD,FILM:3.9K OHM,5%,0.25W	57668	NTR25J-E03K9
A74R3074	315-0105-00			RES,FXD,FILM:1M OHM,5%,0.25W	19701	5043CX1M000J
A74R3075	315-0222-00			RES,FXD,FILM:2.2K OHM,5%,0.25W	57668	NTR25J-E02K2
A74R3078	315-0133-00			RES,FXD,FILM:13K OHM,5%,0.25W	19701	5043CX13K00J
A74R3079	315-0184-00			RES,FXD,FILM:180K OHM,5%,0.25W	19701	5043CX180K0J
A74R4038	315-0102-00			RES,FXD,FILM:1K OHM,5%,0.25W	57668	NTR25JE01K0
A74R4063	315-0203-00	B030000	B040219	RES,FXD,FILM:20K OHM,5%,0.25W	57668	NTR25J-E 20K
A74R4065	315-0203-00	B030000	B040219	RES,FXD,FILM:20K OHM,5%,0.25W	57668	NTR25J-E 20K
A74R4067	315-0474-00	B030000	B040219	RES,FXD,FILM:470K OHM,5%,0.25W	19701	5043CX470K0J92U
A74R4074	315-0473-00			RES,FXD,FILM:47K OHM,5%,0.25W	57668	NTR25J-E47K0
A74R4075	315-0102-00			RES,FXD,FILM:1K OHM,5%,0.25W	57668	NTR25JE01K0
A74T2065	120-1233-00			XFMR,PWR,SDN&SU:HIGH VOLTAGE	80009	120-1233-00
A74U4083	156-0067-12			MICROCKT,LINEAR:OPERATIONAL AMPLIFIER	01295	UA741CJG
A74VR1041	152-0651-00	B030000	B040219	SEMICON DVC,DI:ZEN,SI,28V 5%,400MW,DO-7	04713	SZG134
A74VR1041	152-0283-00	B040220		SEMICON DVC,DI:ZEN,SI,43V,5%,0.4W,D-07	04713	SZ14257KRL
A74A1	119-1159-01			CIRCUIT BD ASSY:HIGH VOLTAGE	80009	119-1159-01
A74A1C1031	283-0033-00			CAP,FXD,CER DI:1000PF,+100-0%,6000V	51406	DHA15Z5U102M6KV
A74A1C1041	283-0033-00			CAP,FXD,CER DI:1000PF,+100-0%,6000V	51406	DHA15Z5U102M6KV
A74A1C1047	283-0427-00			CAP,FXD,CER DI:25PF,10%,6KV	04222	5019-C0G-250K6KV
A74A1C4024	285-0507-01			CAP,FXD,PPR DI:0.0047UF,20%,6000V	56289	430P571
A74A1C4027	285-1184-00			CAP,FXD,MTLZD:0.01 UF,20%,4000V	56289	430P591
A74A1C5013	283-0033-00			CAP,FXD,CER DI:1000PF,+100-0%,6000V	51406	DHA15Z5U102M6KV
A74A1C5021	285-0507-01			CAP,FXD,PPR DI:0.0047UF,20%,6000V	56289	430P571
A74A1CR4035	152-0639-00			SEMICON DVC,DI:RECT,SI,10KV,10MA,A1XJ	52306	CX345
A74A1CR4041	152-0639-00			SEMICON DVC,DI:RECT,SI,10KV,10MA,A1XJ	52306	CX345
A74A1DS2052	150-0111-00			LAMP,GLOW:125V MAX,1.5MA,2AC-AT,WIRE	53944	A1B-9
A74A1DS2057	150-0111-00			LAMP,GLOW:125V MAX,1.5MA,2AC-AT,WIRE	53944	A1B-9
A77	670-5746-00	B030000	B042069	CIRCUIT BD ASSY:CRT GRATICULE LIGHT	80009	670-5746-00
A77	670-5746-01	B042070		CIRCUIT BD ASSY:CRT GRATICULE LIGHT	80009	670-5746-01
A77DS1011	150-0029-00			LAMP,INCAND:6.3V,0.2A,#349,MIDGET FLG	58854	349
A77DS1013	150-0029-00			LAMP,INCAND:6.3V,0.2A,#349,MIDGET FLG	58854	349
C107	290-0745-00			CAP,FXD,ELCTLT:22UF,+50-20%,25WVDC	54473	ECE-A25V22L
C300	285-1192-00			CAP,FXD,PPR DI:0.0022 UF,20%,250VAC	TK0515	PME271Y510
C302	285-1192-00			CAP,FXD,PPR DI:0.0022 UF,20%,250VAC	TK0515	PME271Y510
C325	281-0165-00			CAP,VAR,AIR DI:0.8-10PF,250V	73899	MVM-010W
C4042	283-0033-00			CAP,FXD,CER DI:1000PF,+100-0%,6000V	51406	DHA15Z5U102M6KV

Replaceable Electrical Parts
492/492P Service Vol. 2 (B030000 & Up)

Component No.	Tektronix Part No.	Serial/Assembly No. Effective	Discont	Name & Description	Mfr. Code	Mfr. Part No.
C5033	283-0033-00			CAP,FXD,CER D1:1000PF,+100-0%,6000V	51406	DHA15Z5U102M6KV
E2105	276-0554-00			CORE,EM:TOROID,FERRITE	78488	57-1312
F301	159-0017-00			FUSE,CARTRIDGE:3AG,4A,250V,FAST BLOW	71400	MTH-CW-4
F301	159-0023-00			FUSE,CARTRIDGE:3AG,2A,250V,SLOW BLOW (OPTION A1,A2,A3,A4 ONLY)	71400	MDX2
FL10	119-0294-01			FILTER,LOW PASS:DC TO 1.8GHZ (OPTION 01 ONLY)	50140	11L250-X1800-0
FL11	015-1027-00	B030000	B055072	FILTER,LOW PASS:	80009	015-1027-00
FL11	119-1753-00	B055073		FLTR CA ASSY,RF:50 OHM COAX,7.14 L,SEMI-RGD	80009	119-1753-00
FL11	119-1752-00			FLTR CA ASSY,RF:50 OHM COAX,7.12 L,SEMI-RGD (OPTION 42 ONLY)	80009	119-1752-00
FL12	119-1140-00			YIG TUNED FLTR: (OPTION 01 ONLY)	80009	119-1140-00
FL12	119-1140-01			YIG TUNED FLTR: (OPTION 41 ONLY)	80009	119-1140-01
FL15	015-1027-00	B030000	B055072	FILTER,LOW PASS:	80009	015-1027-00
FL15	119-1752-00	B055073		FLTR CA ASSY,RF:50 OHM COAX,7.12 L,SEMI-RGD	80009	119-1752-00
FL15	119-1753-00			FLTR CA ASSY,RF:50 OHM COAX,7.14 L,SEMI-RGD	80009	119-1753-00
FL15	119-1753-00			FLTR CA ASSY,RF:50 OHM COAX,7.14 L,SEMI-RGD	80009	119-1753-00
FL16	119-1018-00			DIR FILTER ASSY:	80009	119-1018-00
FL36	119-1025-00			FILTER,BANDPASS:110MHZ	80009	119-1025-00
L301	108-0994-00			COIL,RF:FIXED,300UH	80009	108-0994-00
L302	108-0994-00			COIL,RF:FIXED,300UH	80009	108-0994-00
P110	015-1025-01			TERMN,COAXIAL:3MM MALE 50OHM W/CH	18203	T186CS
P112	015-1025-01			TERMN,COAXIAL:3MM MALE 50OHM W/CH	18203	T186CS
P133	015-1022-00			TERMN,COAXIAL:50 OHM,0.5W,SMA	18203	T198CS
P144	015-1022-00			TERMN,COAXIAL:50 OHM,0.5W,SMA	18203	T198CS
P145	015-1022-00			TERMN,COAXIAL:50 OHM,0.5W,SMA	18203	T198CS
P164	015-1022-00			TERMN,COAXIAL:50 OHM,0.5W,SMA	18203	T198CS
Q352	151-0415-00			TRANSISTOR:NPN,SI,TO-127	04713	SJE419
Q565	151-0426-00			TRANSISTOR:NPN,SI,TO-220 (OPTION 01 ONLY)	03508	X44HR242
Q3052	151-0415-00			TRANSISTOR:NPN,SI,TO-127	04713	SJE419
Q5065	151-0426-00			TRANSISTOR:NPN,SI,TO-220	03508	X44HR242
R107	307-0093-00			RES,FXD,CMPNSN:1.2 OHM,5%,0.5W	01121	EB12G5
R108	307-0093-00			RES,FXD,CMPNSN:1.2 OHM,5%,0.5W	01121	EB12G5
R301	301-0101-00			RES,FXD,FILM:100 OHM,5%,0.5W	01121	EB1015
R302	301-0101-00			RES,FXD,FILM:100 OHM,5%,0.5W	01121	EB1015
R1039	301-0102-00			RES,FXD,FILM:1K OHM,5%,0.50W	19701	5053CX1K000J
R1044	315-0203-00			RES,FXD,FILM:20K OHM,5%,0.25W	57668	NTR25J-E 20K
R1051	307-0601-00			RES NTWK,FXD,FI:HIGH VOLTAGE DIVIDER	80009	307-0601-00
R1053	315-0203-00			RES,FXD,FILM:20K OHM,5%,0.25W	57668	NTR25J-E 20K
R1057	315-0226-00			RES,FXD,FILM:22M OHM,5%,0.25W	80009	315-0226-00
R2037	301-0102-00			RES,FXD,FILM:1K OHM,5%,0.50W	19701	5053CX1K000J
R2048	301-0102-00			RES,FXD,FILM:1K OHM,5%,0.50W	19701	5053CX1K000J
R3035	315-0104-00			RES,FXD,FILM:100K OHM,5%,0.25W	57668	NTR25J-E100K
R3038	301-0512-00			RES,FXD,FILM:5.1K OHM,5%,0.5W	19701	5053CX5K100J
R5046	315-0203-00			RES,FXD,FILM:20K OHM,5%,0.25W	57668	NTR25J-E 20K
R5048	315-0226-00			RES,FXD,FILM:22M OHM,5%,0.25W	80009	315-0226-00
R5056	315-0203-00			RES,FXD,FILM:20K OHM,5%,0.25W	57668	NTR25J-E 20K
S11	119-1161-00	B030000	B053974	SW,RF XMSN LINE:DC TO 18 GHZ,60 DB ISLN (OPTION 01 ONLY)	50667	D3-412C3
S11	119-1161-01	B053975		SW,RF XMSN LINE:DC TO 21GHZ,60 DB ISLN (OPTION 01 ONLY)	24022	CS33S90-8
S12	119-1161-00	B030000	B053974	SW,RF XMSN LINE:DC TO 18 GHZ,60 DB ISLN (OPTION 01 ONLY)	50667	D3-412C3
S12	119-1161-01	B053975		SW,RF XMSN LINE:DC TO 21GHZ,60 DB ISLN (OPTION 01 ONLY)	24022	CS33S90-8
S13	119-1161-00	B030000	B053974	SW,RF XMSN LINE:DC TO 18 GHZ,60 DB ISLN (OPTION 01 ONLY)	50667	D3-412C3

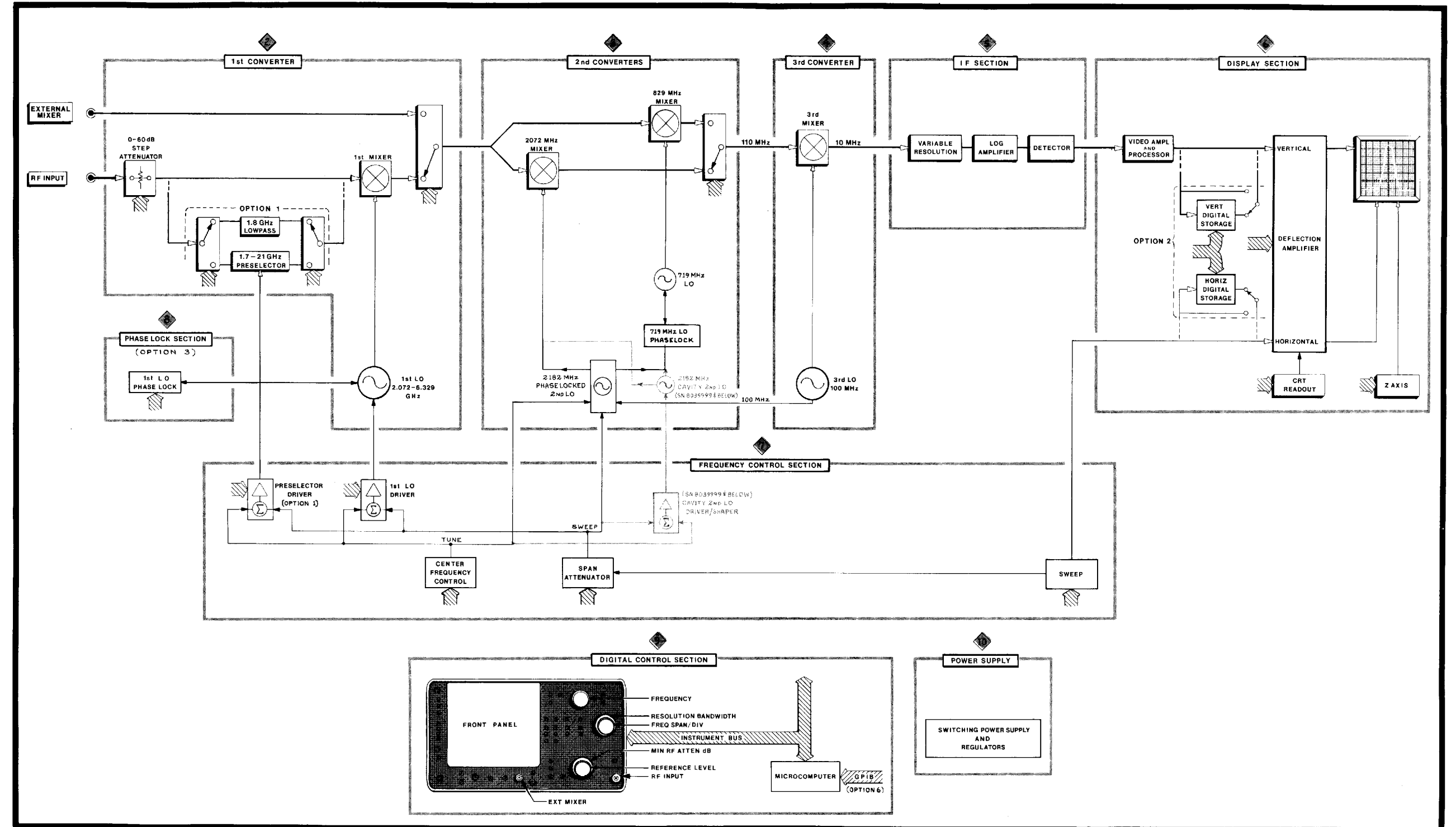
Component No.	Tektronix Part No.	Serial/Assembly No. Effective	Discont	Name & Description	Mfr. Code	Mfr. Part No.
S13	119-1161-01	B053975		SW,RF XMSN LINE:DC TO 21GHZ,60 DB ISLN (OPTION 01 ONLY)	24022	CS33590-8
T107	120-1380-00			TRANSFORMER,RF:TOROID	80009	120-1380-00
U1010	156-0285-00			MICROCKT,LINER:VOLTAGE REGULATOR	04713	MC7812CT
U2010	156-0872-00			MICROCKT,LINER:VOLTAGE REGULATOR	04713	MC7912CT
U3041	156-0277-00			MICROCKT,LINER:VOLTAGE REGULATOR	04713	LM340T-5.0
V100	154-0809-00	B030000	B056118	ELECTRON TUBE:CRT,P-GREEN D,INTERNAL	80009	154-0809-00
V100	154-0910-00	B056119		ELECTRON TUBE:CRT,P31,A284C	80009	154-0910-00
W100	175-2200-00	B030000	B055835	CABLE ASSY,RF:50 OHM COAX,3.497 L (STANDARD ONLY)	80009	175-2200-00
W100	175-2200-02	B055836		CABLE ASSY,RF:50 OHM COAX,3.497 L (STANDARD ONLY)	80009	175-2200-02
W100	175-2529-00	B030000	B055820	CABLE ASSY,RF:50 OHM COAX,8.27 L (OPTION 01 ONLY)	80009	175-2529-00
W100	175-2529-02	B055821		CABLE ASSY,RF:50 OHM COAX,8.27 L (OPTION 01 ONLY)	80009	175-2529-02
W101	175-2183-00			CABLE ASSY,RF:50 OHM COAX,4.63 L	80009	175-2183-00
W102	175-2534-00	B030000	B055820	CABLE ASSY,RF:50 OHM COAX,2.59 L (OPTION 01 ONLY)	80009	175-2534-00
W102	175-2534-02	B055821		CABLE ASSY,RF:50 OHM COAX,2.59 L (OPTION 01 ONLY)	80009	175-2534-02
W104	175-2535-00	B030000	B055820	CABLE ASSY,RF:50 OHM COAX,7.01 L (OPTION 01 ONLY)	80009	175-2535-00
W104	175-2535-02	B055821		CABLE ASSY,RF:50 OHM COAX,7.01 L (OPTION 01 ONLY)	80009	175-2535-02
W106	175-2533-00	B030000	B055820	CABLE ASSY,RF:50 OHM COAX,2.1 L (OPTION 01 ONLY)	80009	175-2533-00
W106	175-2533-02	B055821		CABLE ASSY,RF:50 OHM COAX,2.1 L (OPTION 01 ONLY)	80009	175-2533-02
W110	175-2349-00	B030000	B055072	CABLE ASSY,RF:50 OHM COAX,2.34 L	80009	175-2349-00
W112	175-2543-00	B030000	B055820	CABLE ASSY,RF:50 OHM COAX,1.51 L (OPTION 01 ONLY)	80009	175-2543-00
W112	175-2543-02	B055821		CABLE ASSY,RF:50 OHM COAX,2.62 L (OPTION 01 ONLY)	80009	175-2543-02
W114	175-2530-00	B030000	B055820	CABLE ASSY,RF:50 OHM COAX,6.34 L (OPTION 01 ONLY)	80009	175-2530-00
W114	175-2530-02	B055821		CABLE ASSY,RF:50 OHM COAX,6.34 L (OPTION 01 ONLY)	80009	175-2530-02
W116	175-2532-00	B030000	B055820	CABLE ASSY,RF:50 OHM COAX,4.09 L (OPTION 01 ONLY)	80009	175-2532-00
W116	175-2532-02	B055821		CABLE ASSY,RF:50 OHM COAX,4.09 L (OPTION 01 ONLY)	80009	175-2532-02
W118	175-2761-00	B030000	B055761	CABLE ASSY,RF:50 OHM COAX,3.63 L (OPTION 03 ONLY)	80009	175-2761-00
W118	175-2761-02	B055762		CABLE ASSY,RF:50 OHM COAX,3.63 L (OPTION 03 ONLY)	80009	175-2761-02
W124	175-2542-00	B030000	B055841	CABLE ASSY,RF:50 OHM COAX,2.62 L	80009	175-2542-00
W124	175-2542-02	B055842		CABLE ASSY,RF:50 OHM COAX,2.62 L	80009	175-2542-02
W125	175-3024-00	B030000	B055820	CABLE ASSY,RF:50 OHM COAX,6.89 L (OPTION 08 ONLY)	80009	175-3024-00
W125	175-3024-02	B055821		CABLE ASSY,RF:50 OHM COAX,6.89 L (OPTION 08 ONLY)	80009	175-3024-02
W126	175-2531-00	B030000	B055820	CABLE ASSY,RF:50 OHM COAX,4.98 L (OPTION 01 ONLY)	80009	175-2531-00
W126	175-2531-02	B055821		CABLE ASSY,RF:50 OHM COAX,4.98 L (OPTION 01 ONLY)	80009	175-2531-02
W130	175-2765-00	B030000	B042088	CABLE ASSY,RF:50 OHM COAX,17.4 L (OPTION 03 ONLY)	80009	175-2765-00
W130	175-7332-00	B042089	B043040	CABLE ASSY,RF:50 OHM COAX,13.703 L (OPTION 03 ONLY)	80009	175-7332-00
W130	175-2765-00	B043041		CABLE ASSY,RF:50 OHM COAX,17.4 L (OPTION 03 ONLY)	80009	175-2765-00

Replaceable Electrical Parts
492/492P Service Vol. 2 (B030000 & Up)

Component No.	Tektronix Part No.	Serial/Assembly No. Effective	Discont	Name & Description	Mfr. Code	Mfr. Part No.
W131	175-2345-00	B042089		CABLE ASSY,RF:50 OHM COAX,10.29 L (OPTION 03 ONLY)	80009	175-2345-00
W132	175-2762-00	B030000	B055785	CABLE ASSY,RF:50 OHM COAX,17.56 L	80009	175-2762-00
W132	175-2762-02	B055786		CABLE ASSY,RF:50 OHM COAX,17.56 L	80009	175-2762-02
W137	175-2760-00	B030000	B053645	CABLE ASSY,RF:50 OHM COAX,10.34 L	80009	175-2760-00
W137	175-9196-00	B053646	B055833	CABLE ASSY,RF:50 OHM COAX,SEMI-RIGID	80009	175-9196-00
W137	175-9196-01	B055834		CABLE ASSY,RF:50 OHM COAX,W/O JKT,SEMI RIGID,TRANS SWC TO EXT MIX	80009	175-9196-01
W138	175-2541-00	B030000	B055536	CABLE ASSY,RF:50 OHM COAX,6.1 L	80009	175-2541-00
W138	175-2541-02	B055537		CABLE ASSY,RF:50 OHM COAX,6.1 L	80009	175-2541-02
W142	175-2338-00	B030000	B055072	CABLE ASSY,RF:50 OHM COAX,7.12 L	80009	175-2338-00
W150	175-2339-00	B030000	B055072	CABLE ASSY,RF:50 OHM COAX,5.33 L	80009	175-2339-00
W160	175-2340-00	B030000	B055072	CABLE ASSY,RF:50 OHM COAX,1.8	80009	175-2340-00
W162	175-2337-00	B030000	B055798	CABLE ASSY,RF:50 OHM COAX,2.76 L	80009	175-2337-00
W162	175-2337-02	B055799		CABLE ASSY,RF:50 OHM COAX,3.497 L	80009	175-2337-02
W166	175-2763-00			CABLE ASSY,RF:50 OHM COAX,3.13 L	80009	175-2763-00
W182	175-2406-00			CABLE ASSY,RF:50 OHM COAX,3.0 L	80009	175-2406-00
W190	175-2415-00			CABLE ASSY,RF:50 OHM COAX,7.0 L (OPTION 42 ONLY)	80009	175-2415-00
W191	175-2415-00			CABLE ASSY,RF:50 OHM COAX,7.0 L (OPTION 42 ONLY)	80009	175-2415-00
W200	175-2350-00	B030000	B039999	CABLE ASSY,RF:50 OHM COAX,12.02 L	80009	175-2350-00
W202	175-2198-00	B030000	B039999	CABLE ASSY,RF:50 OHM COAX,5.74 L	80009	175-2198-00
W220	175-4542-00	B040000		CABLE ASSY,RF:50 OHM COAX,8.9 L,SEMIRIGID	80009	175-4542-00
W222	175-3849-01	B040000		CABLE ASSY,RF:50 OHM COAX,4.85 L	80009	175-3849-01
W232	175-2407-00			CABLE ASSY,RF:50 OHM COAX,5.0 L	80009	175-2407-00
W236	175-2352-00	B030000	B053645	CABLE ASSY,RF:50 OHM COAX,7.87 L	80009	175-2352-00
W236	175-9196-00	B053646		CABLE ASSY,RF:50 OHM COAX,SEMI-RIGID	80009	175-9196-00
W240	175-2764-00			CABLE ASSY,RF:50 OHM COAX,9.4 L (OPTION 03 ONLY)	80009	175-2764-00
W242	175-2372-00			CABLE ASSY,RF:50 OHM COAX,3.26 AWG,5.0 L	TK1375	175-2372-00
W300	198-3944-01			WIRE SET,ELEC:	TK1375	198-3944-01
W320	175-2406-00			CABLE ASSY,RF:50 OHM COAX,3.0 L	80009	175-2406-00
W340	175-2412-00			CABLE ASSY,RF:50 OHM COAX,12.0 L	80009	175-2412-00
W344	175-2411-00			CABLE ASSY,RF:50 OHM COAX,17.0 L	80009	175-2411-00
W346	175-2407-00	B040000		CABLE ASSY,RF:50 OHM COAX,5.0 L	80009	175-2407-00
W348	175-2410-00			CABLE ASSY,RF:50 OHM COAX,10.0 L	80009	175-2410-00
W350	175-2413-00			CABLE ASSY,RF:50 OHM COAX,13.0 L (OPTION 03 ONLY)	80009	175-2413-00
W360	175-2409-00			CABLE ASSY,RF:50 OHM COAX,8.0 L	80009	175-2409-00
W400	175-3748-00	B030000	B055393	CABLE ASSY,RF:50 OHM COAX,4.245 L (OPTION 31 ONLY)	80009	175-3748-00
W400	175-3748-05	B055394		CABLE ASSY,RF:50 OHM COAX,4.245 L (OPTION 31 ONLY)	80009	175-3748-05
W401	175-3635-00	B030000	B055820	CABLE ASSY,RF:50 OHM COAX,3.394 L (OPTION 31 ONLY)	80009	175-3635-00
W401	175-3635-02	B055821		CABLE ASSY,RF:50 OHM COAX,3.394 L (OPTION 31 ONLY)	80009	175-3635-02
W402	175-3751-00	B030000	B055357	CABLE ASSY,RF:50 OHM COAX,4.596 L (OPTION 31 ONLY)	80009	175-3751-00
W402	175-3751-05	B055358		CABLE ASSY,RF:50 OHM COAX,4.596 L (OPTION 31 ONLY)	80009	175-3751-05
W403	175-3631-00	B030000	B055833	CABLE ASSY,RF:50 OHM COAX,3.394 L (OPTION 31 ONLY)	80009	175-3631-00
W403	175-3631-02	B055834		CABLE ASSY,RF:50 OHM COAX,3.394 L (OPTION 31 ONLY)	80009	175-3631-02
W404	175-3750-00	B030000	B055761	CABLE ASSY,RF:50 OHM COAX,4.051 L (OPTION 31 ONLY)	80009	175-3750-00
W404	175-3750-05	B055762		CABLE ASSY,RF:50 OHM,4.051 L (OPTION 31 ONLY)	80009	175-3750-05

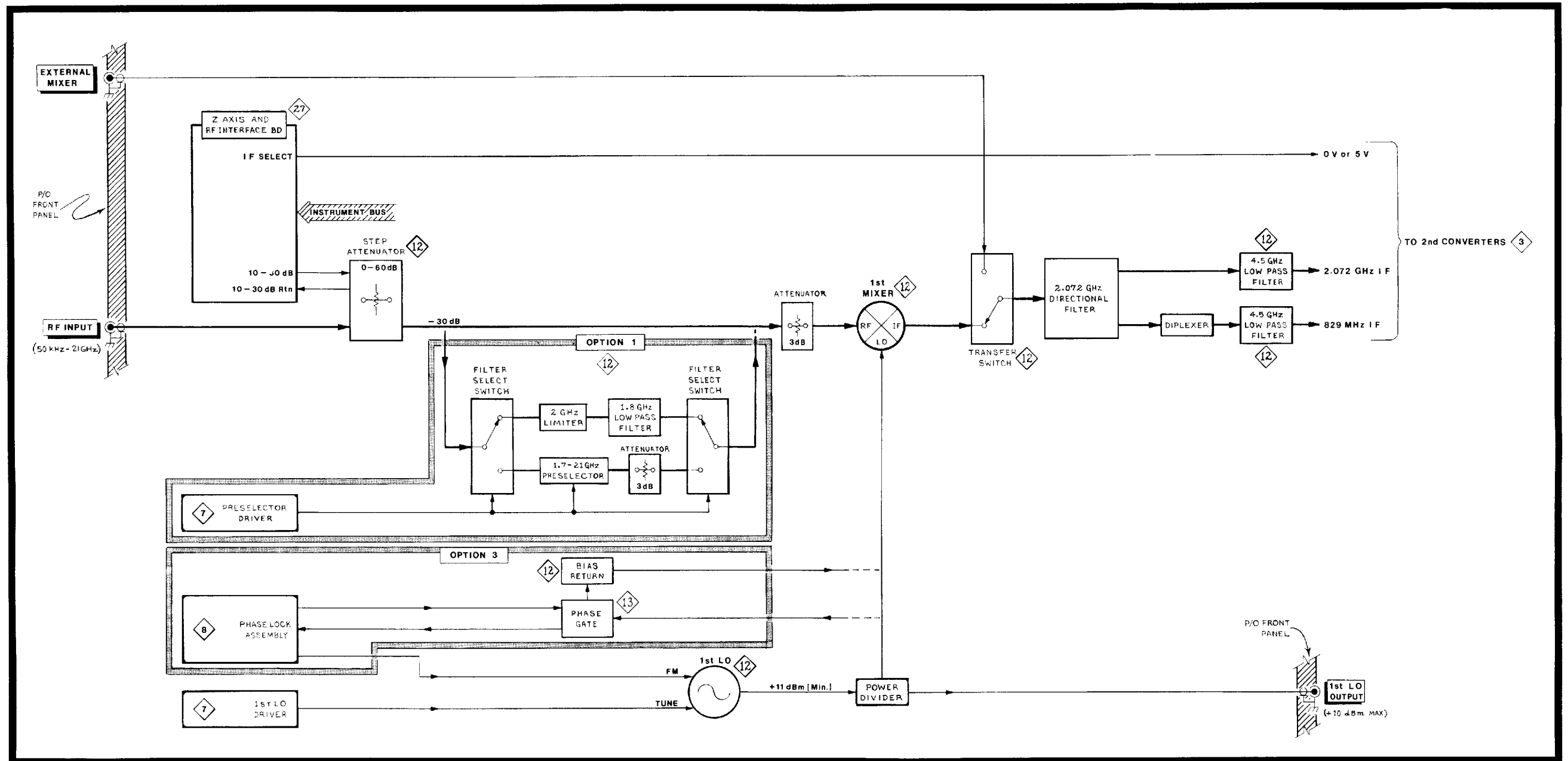
Replaceable Electrical Parts
492/492P Service Vol. 2 (B030000 & Up)

Component No.	Tektronix Part No.	Serial/Assembly No. Effective	Discont	Name & Description	Mfr. Code	Mfr. Part No.
W405	175-3634-00	B030000	B055833	CABLE ASSY,RF:50 OHM COAX,3.394 L (OPTION 31 ONLY)	80009	175-3634-00
W405	175-3634-02	B055834		CABLE ASSY,RF:50 OHM COAX,3.394 L (OPTION 31 ONLY)	80009	175-3634-02
W406	175-3749-00	B030000	B055403	CABLE ASSY,RF:50 OHM COAX,3.856 L (OPTION 31 ONLY)	80009	175-3749-00
W406	175-3749-05	B055404		CABLE ASSY,RF:50 OHM,3.856 L (OPTION 31 ONLY)	80009	175-3749-05
W407	175-3633-00	B030000	B055785	CABLE ASSY,RF:50 OHM COAX,3.394 L (OPTION 31 ONLY)	80009	175-3633-00
W407	175-3633-02	B055786		CABLE ASSY,RF:50 OHM COAX,3.394 L (OPTION 31 ONLY)	80009	175-3633-02
W408	175-3747-00	B030000	B055357	CABLE ASSY,RF:50 OHM COAX,4.599 L (OPTION 31 ONLY)	80009	175-3747-00
W408	175-3747-05	B055358		CABLE ASSY,RF:50 OHM,COAX,4.599 L (OPTION 31 ONLY)	80009	175-3747-05
W409	175-3632-00	B030000	B055138	CABLE ASSY,RF:50 OHM COAX,3.394 L (OPTION 31 ONLY)	80009	175-3632-00
W409	175-9718-00	B055139	B055798	CABLE ASSY,RF:50 OHM COAX,17.235 L (OPTION 31 ONLY)	80009	175-9718-00
W409	175-9718-01	B055799		CABLE ASSY,RF:50 OHM COAX,17.235 L (OPTION 31 ONLY)	80009	175-9718-01
W500	175-2406-00			CABLE ASSY,RF:50 OHM COAX,3.0 L (OPTION 03 ONLY)	80009	175-2406-00
W502	175-2402-00			CABLE ASSY,RF:50 OHM COAX,12.0 L (OPTION 03 ONLY)	80009	175-2402-00
W682	175-2418-00			CABLE ASSY,RF:50 OHM COAX,2.5 L	80009	175-2418-00
W684	175-2415-00			CABLE ASSY,RF:50 OHM COAX,7.0 L	80009	175-2415-00
W1037	198-4424-00			WIRE SET,ELEC:	80009	198-4424-00
W3010	175-3080-00			CA ASSY,SP,ELEC:6,26 AWG,4.0 L	80009	175-3080-00
W3045	175-3557-00			CA ASSY,SP,ELEC:5,26 AWG,18.0 L,RIBBON	TK1375	175-3557-00



492/492P (SN B030000 & UP)

(2852-70) 3784-01 REV. JUL 1981



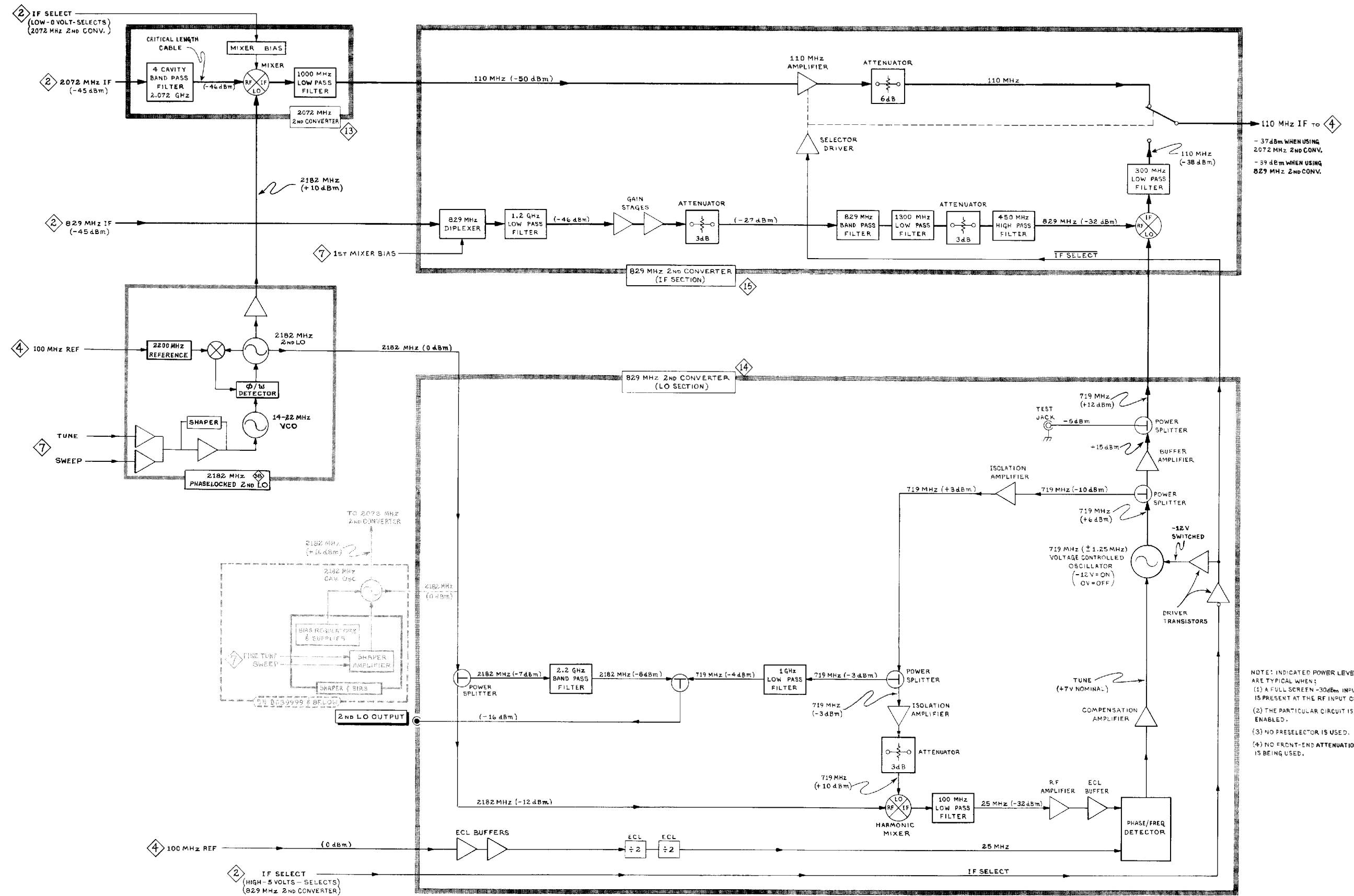
492/492 P (SN B030000 & UP)

(1852-71)3784-02
REV FEB 1983

1st CONVERTER BLOCK DIAGRAM 2 JAW

1st CONVERTER
BLOCK DIAGRAM

2



492/492P (SN B030000 & UP)

(2852-72) 3784-03
REV. DEC. 1981

2nd CONVERTERS BLOCK DIAGRAM

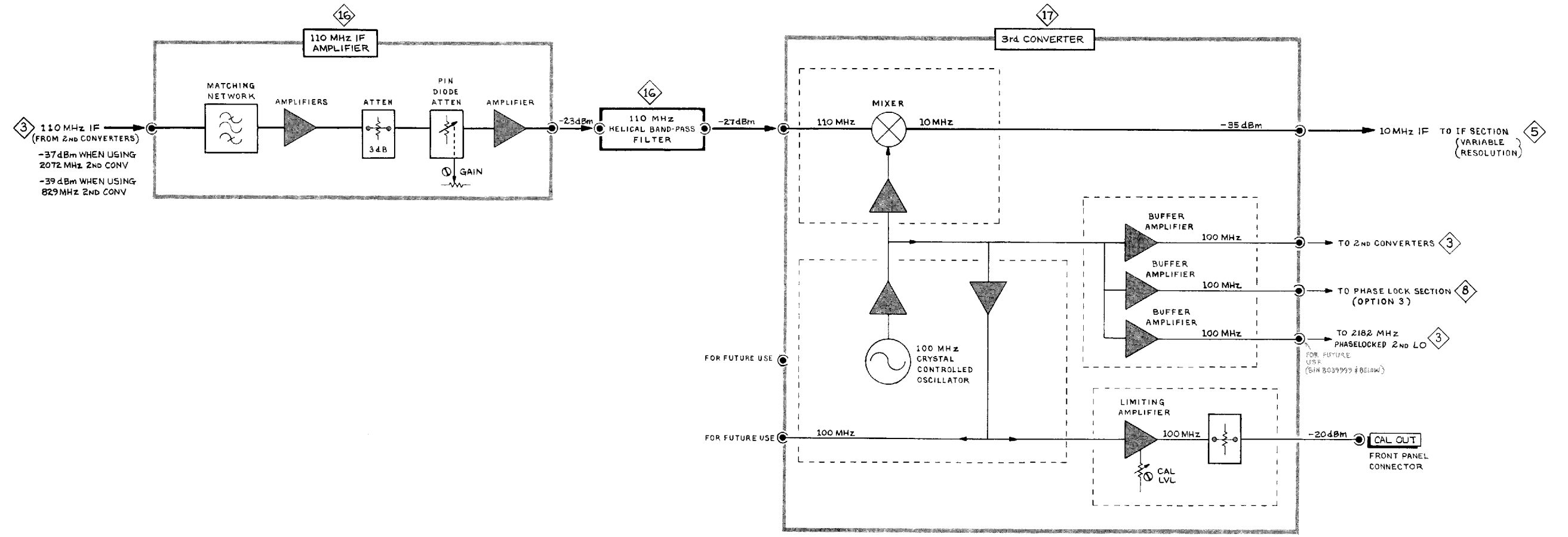
3 JAW

NOTE: INDICATED POWER LEVELS ARE TYPICAL WHEN:
(1) A FULL SCREEN -30dBm INPUT SIG. IS PRESENT AT THE RF INPUT CONN.
(2) THE PARTICULAR CIRCUIT IS ENABLED.
(3) NO PRESELECTOR IS USED.
(4) NO FRONT-END ATTENUATION IS BEING USED.

2nd CONVERTER
BLOCK DIAGRAM

3

3 JAW



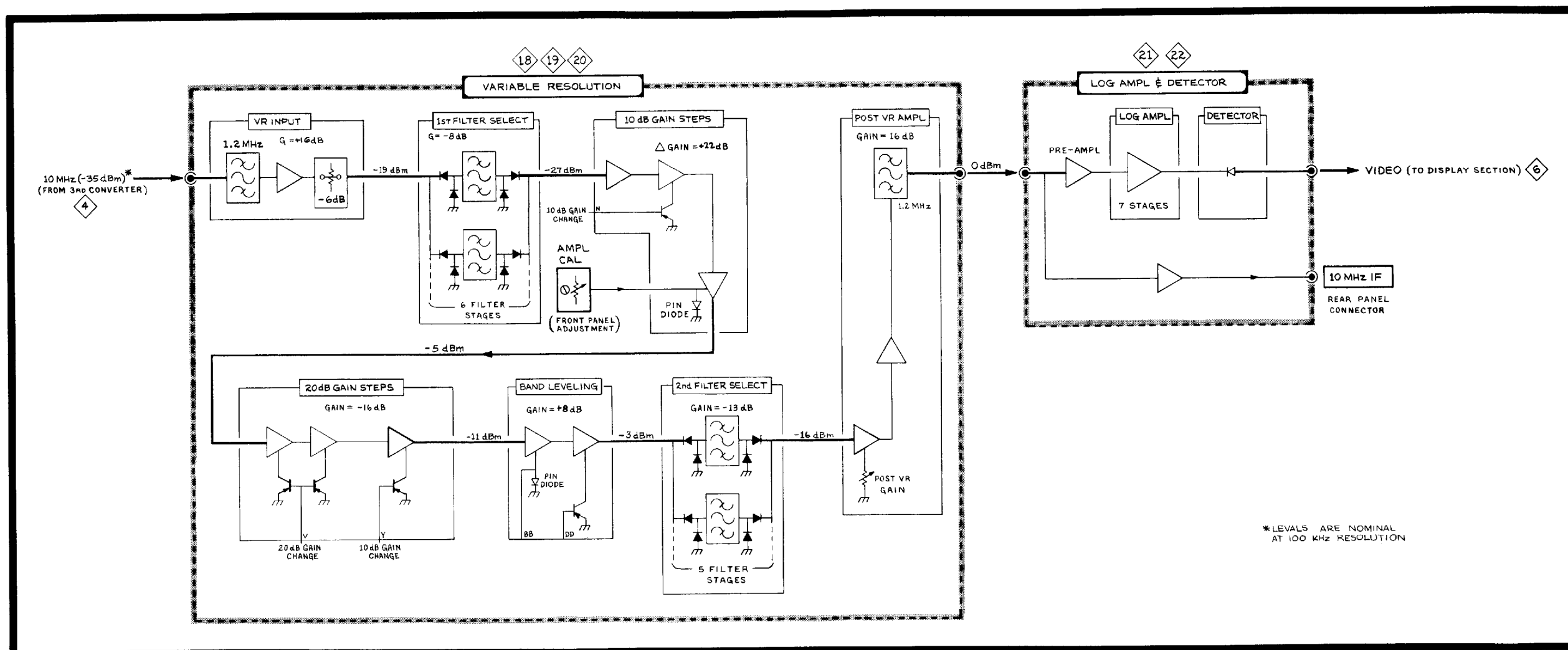
492/492P: (5N B030000 & UP)

(2852-73) 3784-04
REV JUL 1991

3RD CONVERTER BLOCK DIAGRAM 4 JAW

3RD CONVERTER
BLOCK DIAGRAM

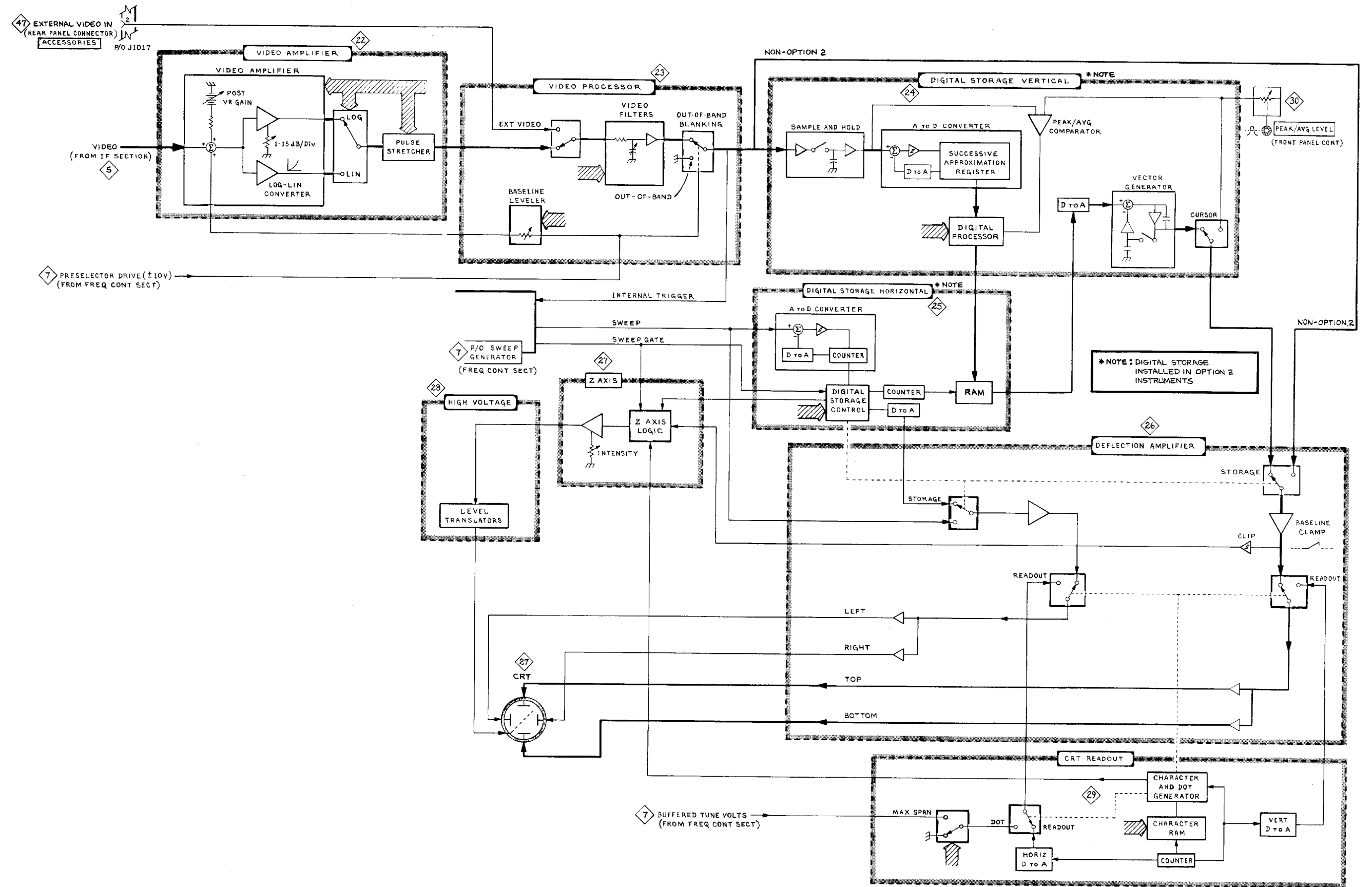
4



492/492P (SN 8030000 & UP)

(2852-232) 3784-05
REV. JUL 1981

IF SECTION BLOCK DIAGRAM

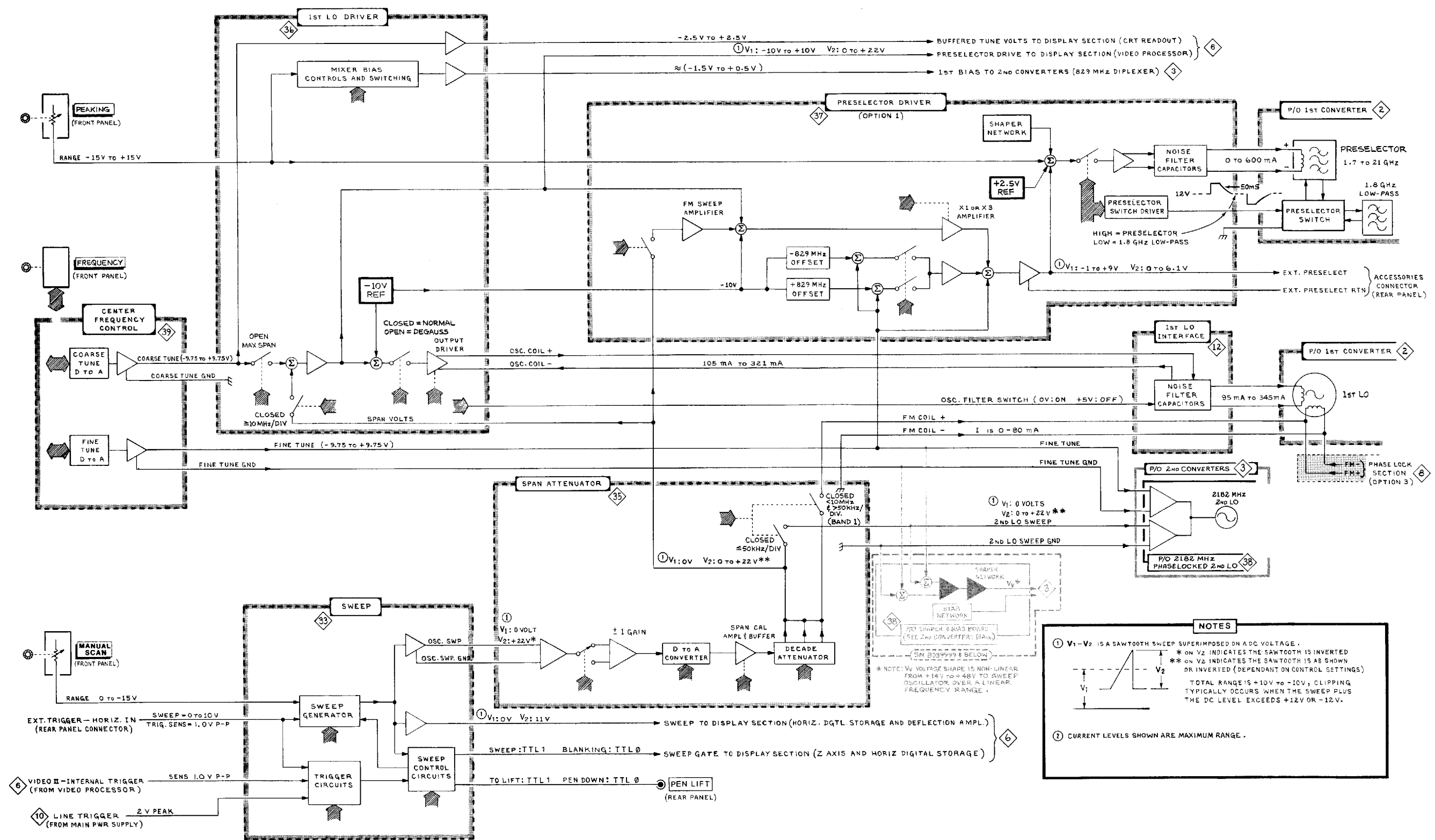


DISPLAY SECTION
BLOCK DIAGRAM 6

492/492P (SN 8030000 & UP)

(2852-75) 3784-06
REV. JUL 1981

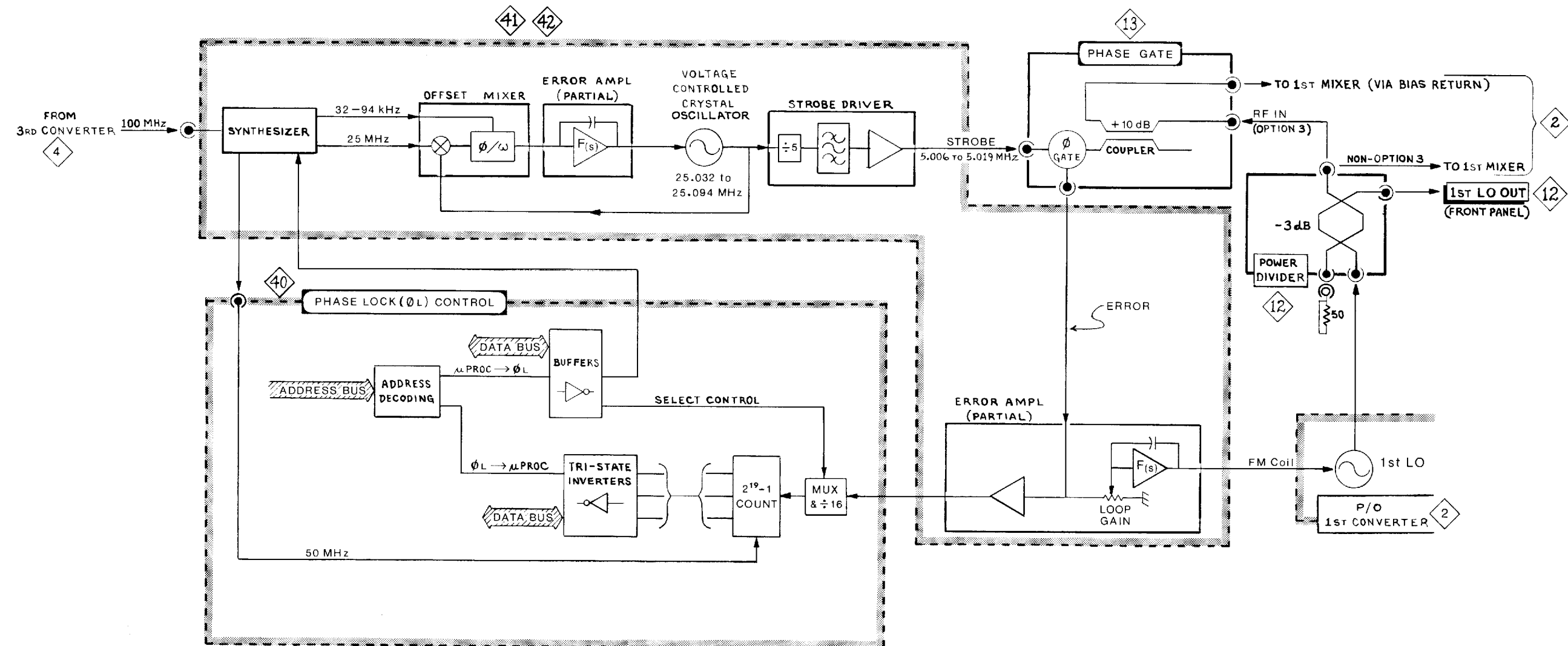
DISPLAY SECTION BLOCK DIAGRAM 6



492/492P (SN B030000 & UP)

(2852-76) 3784-07
REV. JUL 1981

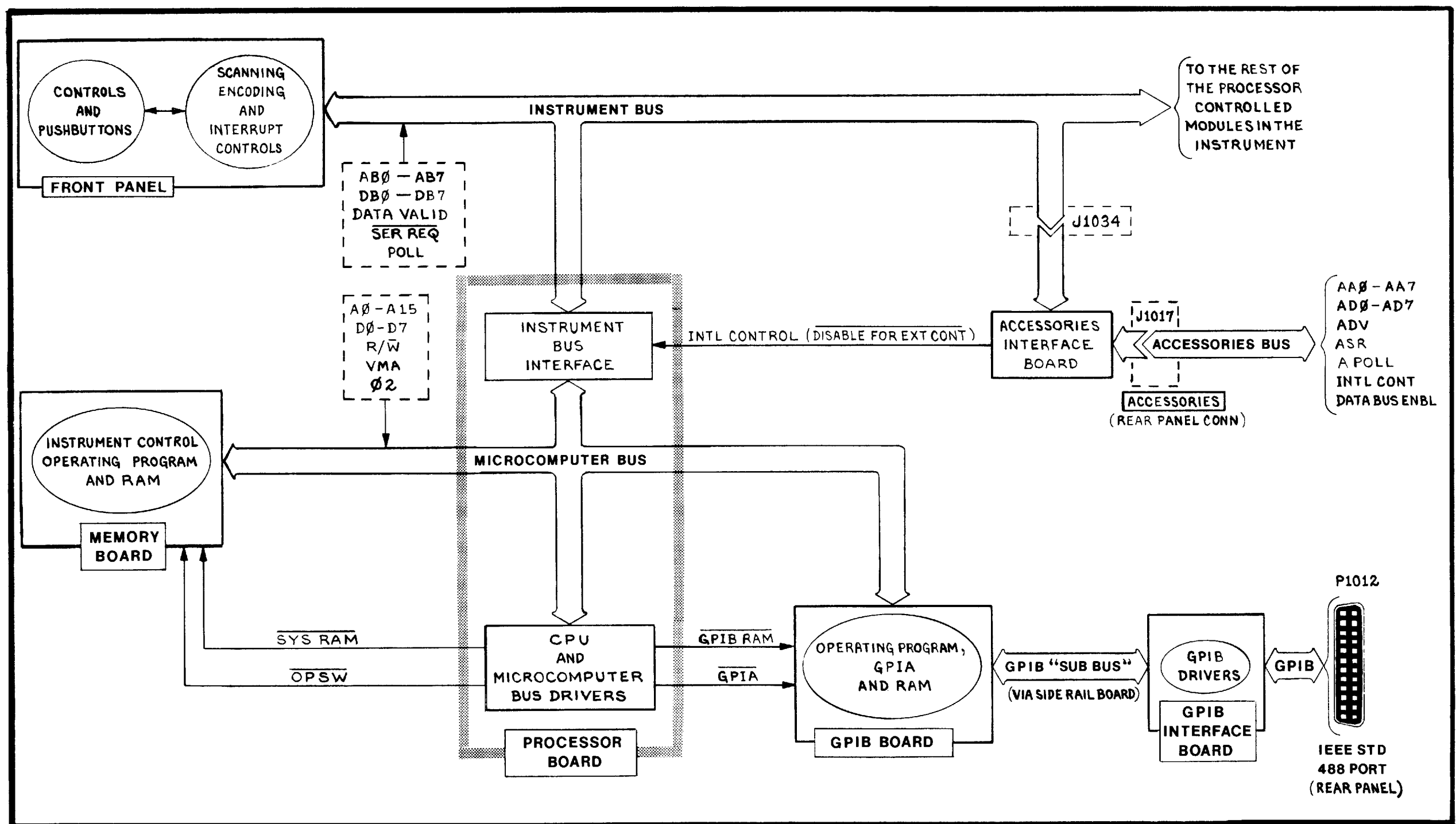
FREQUENCY CONTROL SECTION BLOCK DIAGRAM 7 JAN



492/492P (SN 8030000 & UP)

(2852-77) 3784-08
REV JUL 1981

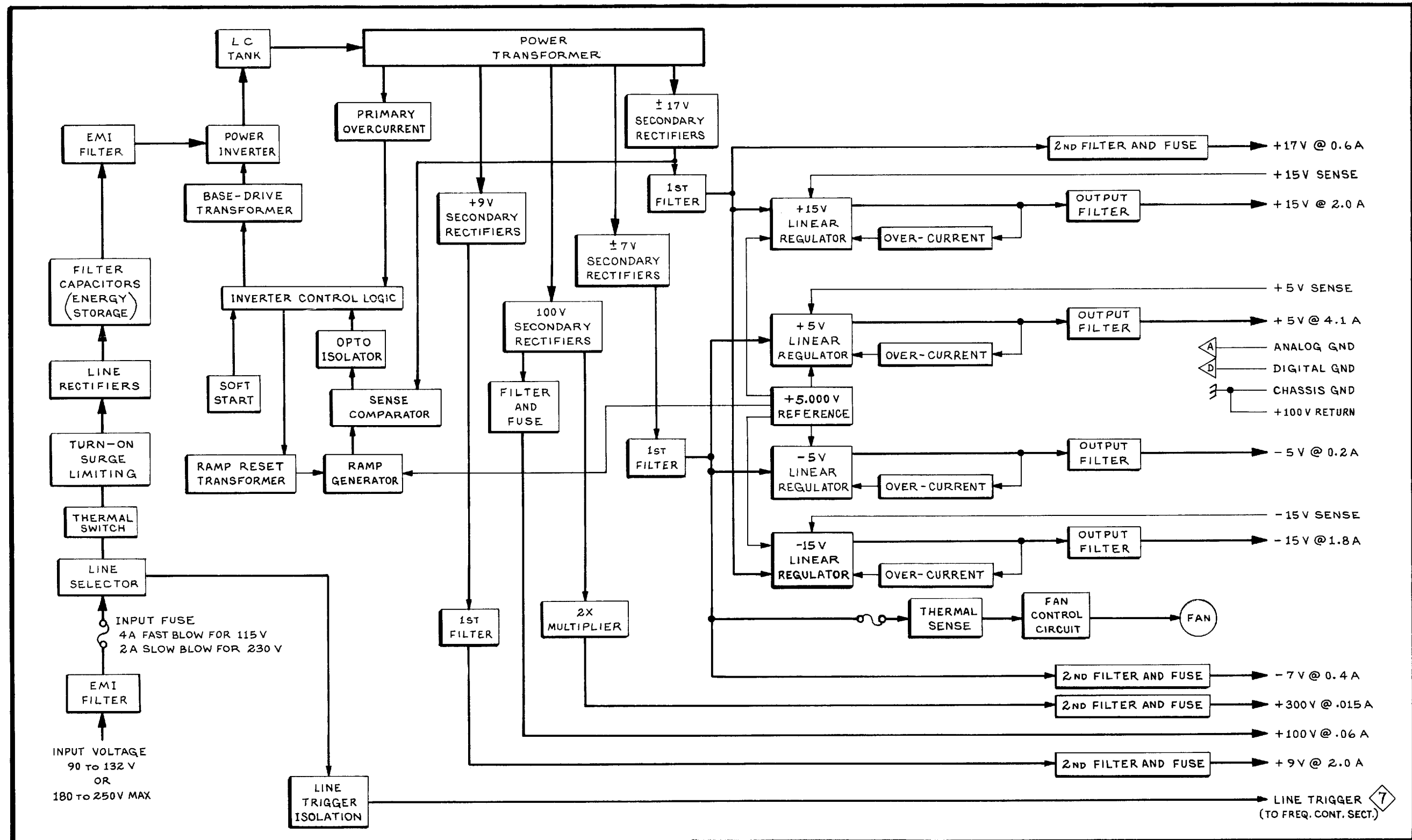
(OPTION 03) PHASE LOCK SECTION BLOCK DIAGRAM 8 JAW



492/492P (SN B030000 & UP)

(2852-78) 3784-09
REV JUL 1981

DIGITAL CONTROL BLOCK DIAGRAM 9 JAW



492/492P (SN B030000 & UP)

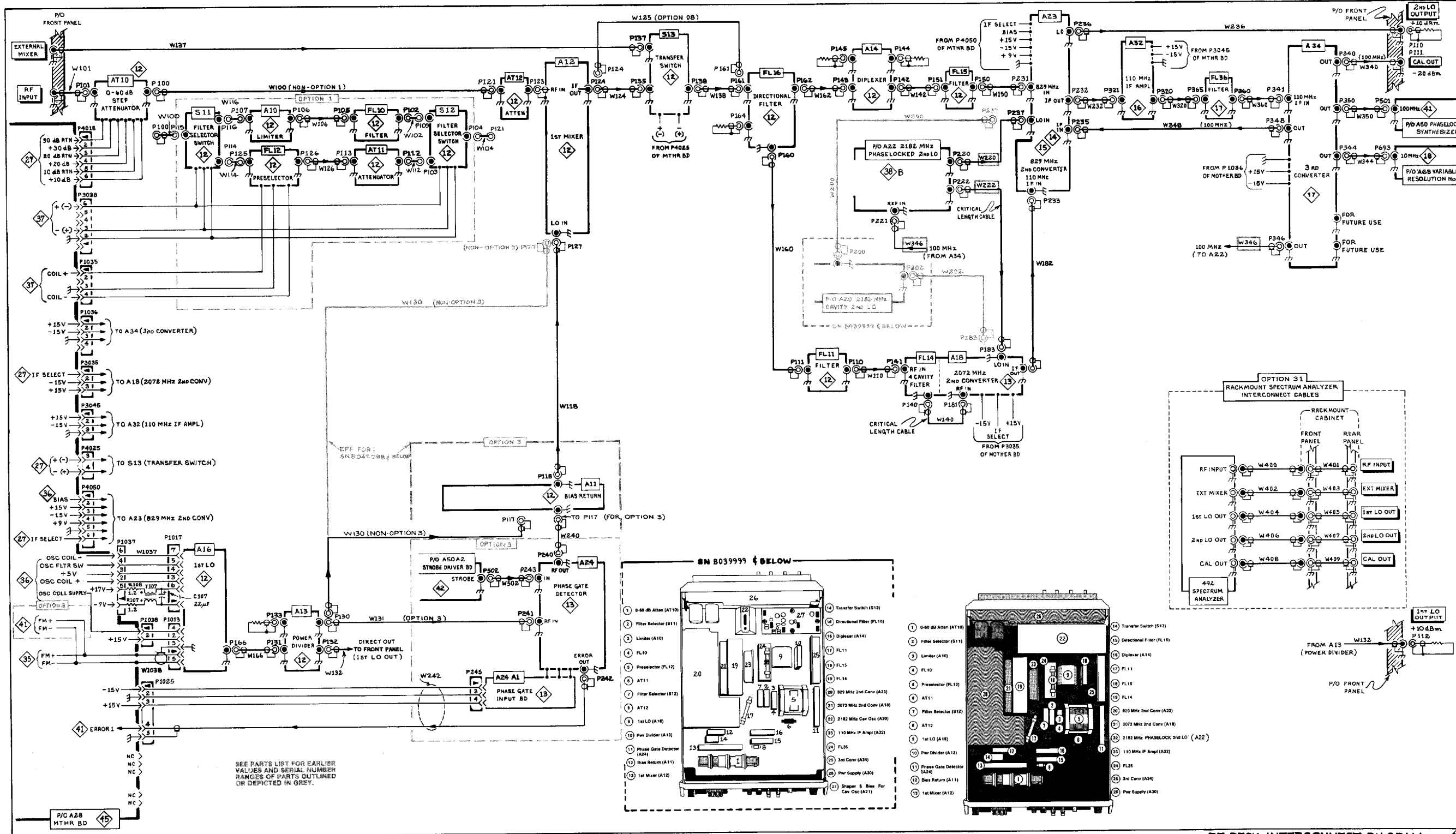
(2852-79) 3784-10
REV JUL 1981

POWER SUPPLY BLOCK DIAGRAM

10 JAW

POWER SUPPLY
BLOCK DIAGRAM

10



492 / 492 P (SN 803000 & UP)

REV MAR 1985 (2852-80) 3784-11

36x 481

RF DECK INTERCONNECT DIAGRAM

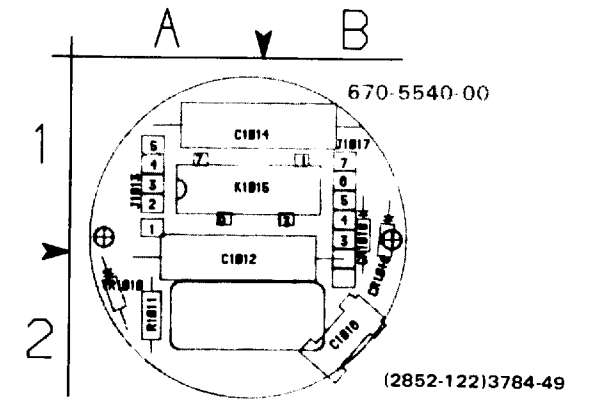
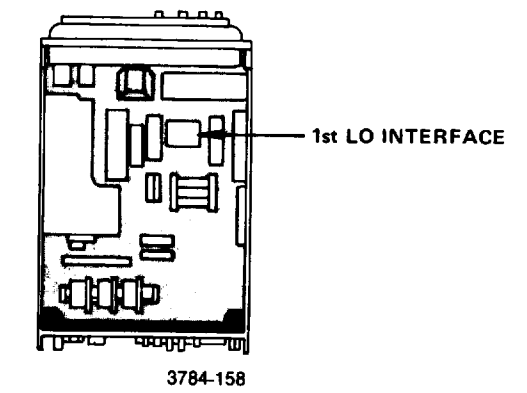


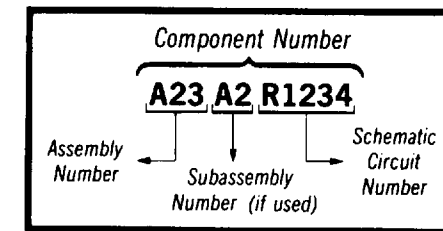
Fig. 8-1. A16A1—1st LO Interface circuit board.



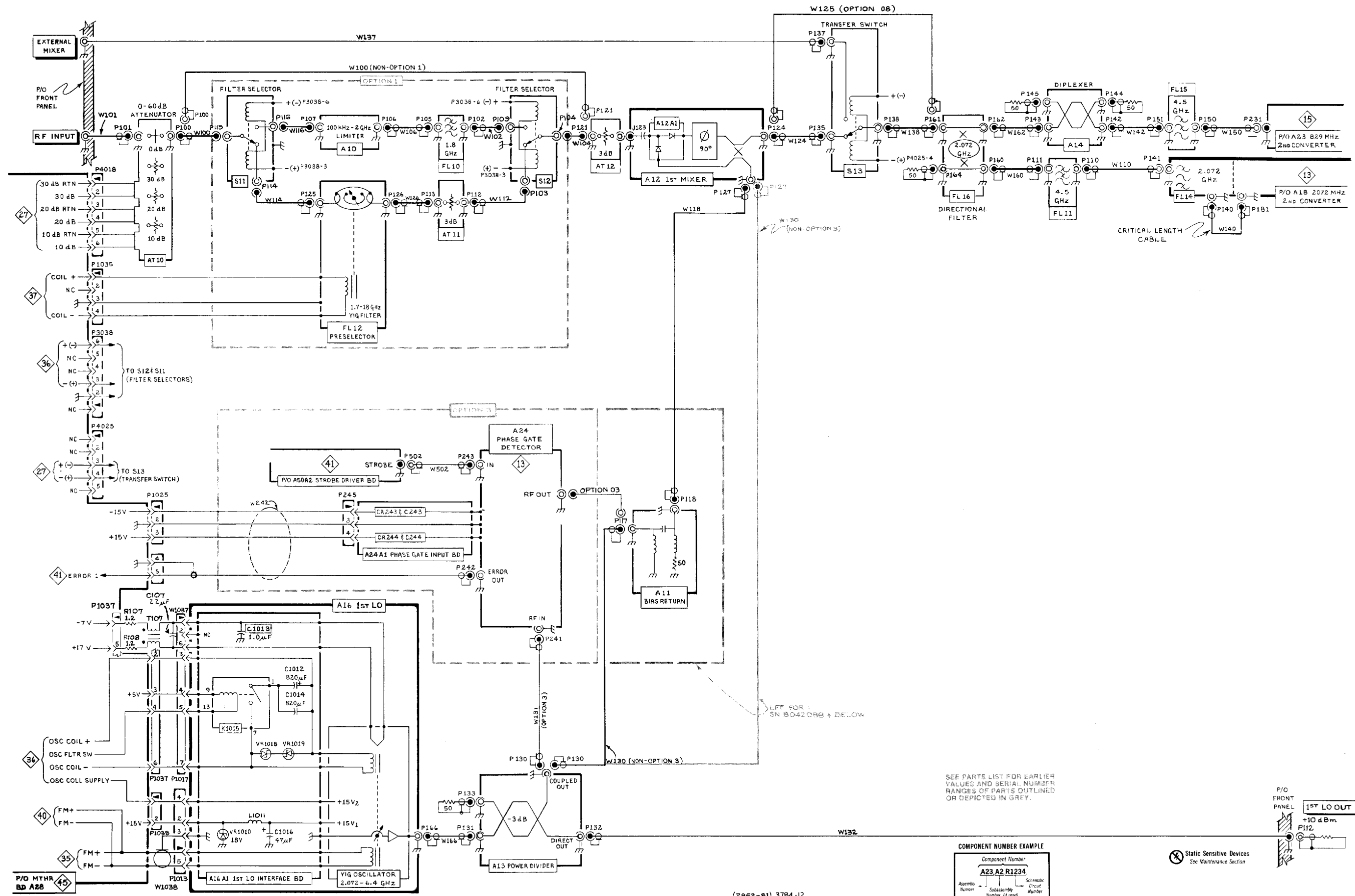
1st LO INTERFACE
CKT BD ILLUS

 **Static Sensitive Devices**
See Maintenance Section

COMPONENT NUMBER EXAMPLE



Chassis-mounted components have no Assembly Number prefix—see end of Replaceable Electrical Parts List.



492/492P (SN 8030000 & UP)

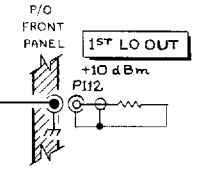
(2852-61) 3784-12
REV JUN 1963

COMPONENT NUMBER EXAMPLE

Component Number		
A23	A2	R1234
Assembly Number	Subassembly Number (if used)	Schematic Sheet Number

1. Check all required components from the Assembly Kit. 2. Check all required components from the Assembly Kit. 3. Check all required components from the Assembly Kit.

1st CONVERTER



1st CONVERTER

12

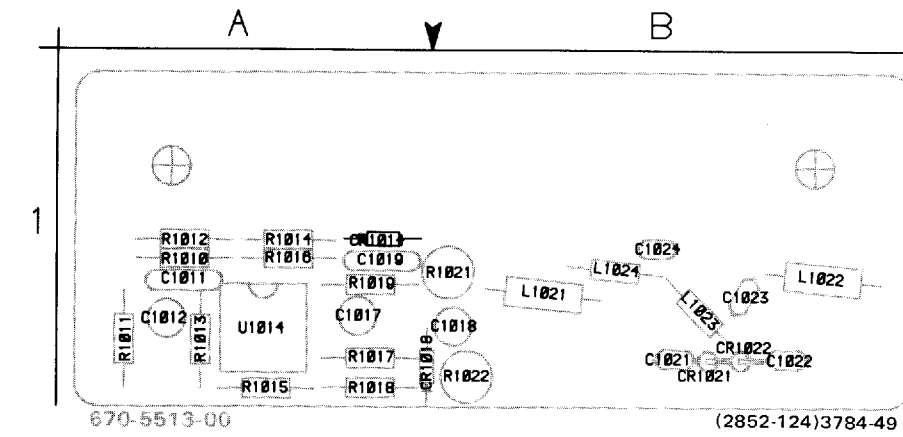


Fig. 8-2. A18A1—2nd Converter circuit board.

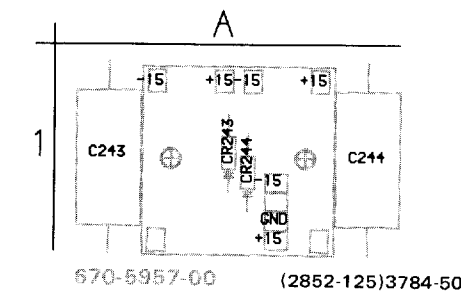
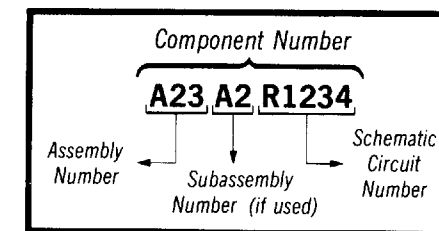


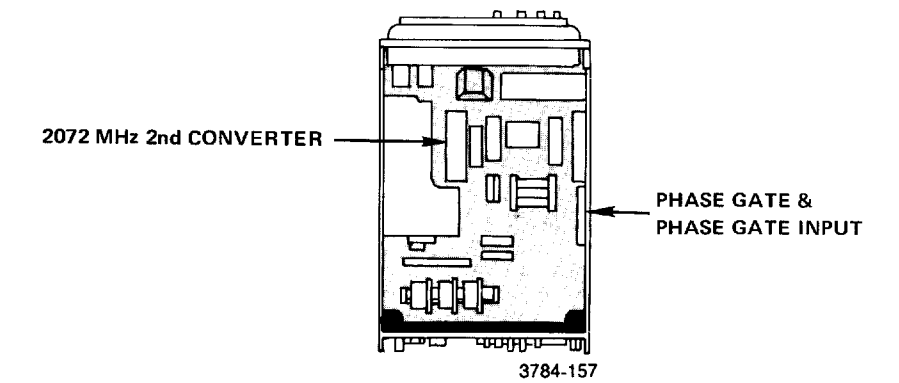
Fig. 8-3. A4A1—Phase Gate Input circuit board.

 **Static Sensitive Devices**
See Maintenance Section

COMPONENT NUMBER EXAMPLE



Chassis-mounted components have no Assembly Number prefix—see end of Replaceable Electrical Parts List.



2072 MHz 2nd Converter and Phase Gate Circuitry **DIAGRAM 13**

ASSEMBLY A18A1

2nd Converter

CIRCUIT NUMBER	SCHEM LOCATION	BOARD LOCATION	CIRCUIT NUMBER	SCHEM LOCATION	BOARD LOCATION	CIRCUIT NUMBER	SCHEM LOCATION	BOARD LOCATION
C1011	A2	A1	CR1022	B1	B1	R1014	B2	A1
C1012	A2	A1	CR1021	B1	B1	R1015	A2	A1
C1017	A2	A1				R1016	C2	A1
C1018	A2	B1	L1021	B1	B1	R1017	B2	A1
C1019	B2	A1	L1022	B1	B1	R1018	C2	A1
C1021	B1	B1	L1023	C1	B1	R1019	A2	A1
C1022	B1	B1	L1024	C1	B1	R1021	B2	B1
C1023	B1	B1				R1022	B2	B1
C1024	C1	B1	R1010	A2	A1	U1014	B2	A1
CR1018	C2	A1	R1011	A2	A1			
CR1014	C2	A1	R1012	A2	A1			
			R1013	A2	A1			

ASSEMBLY A24

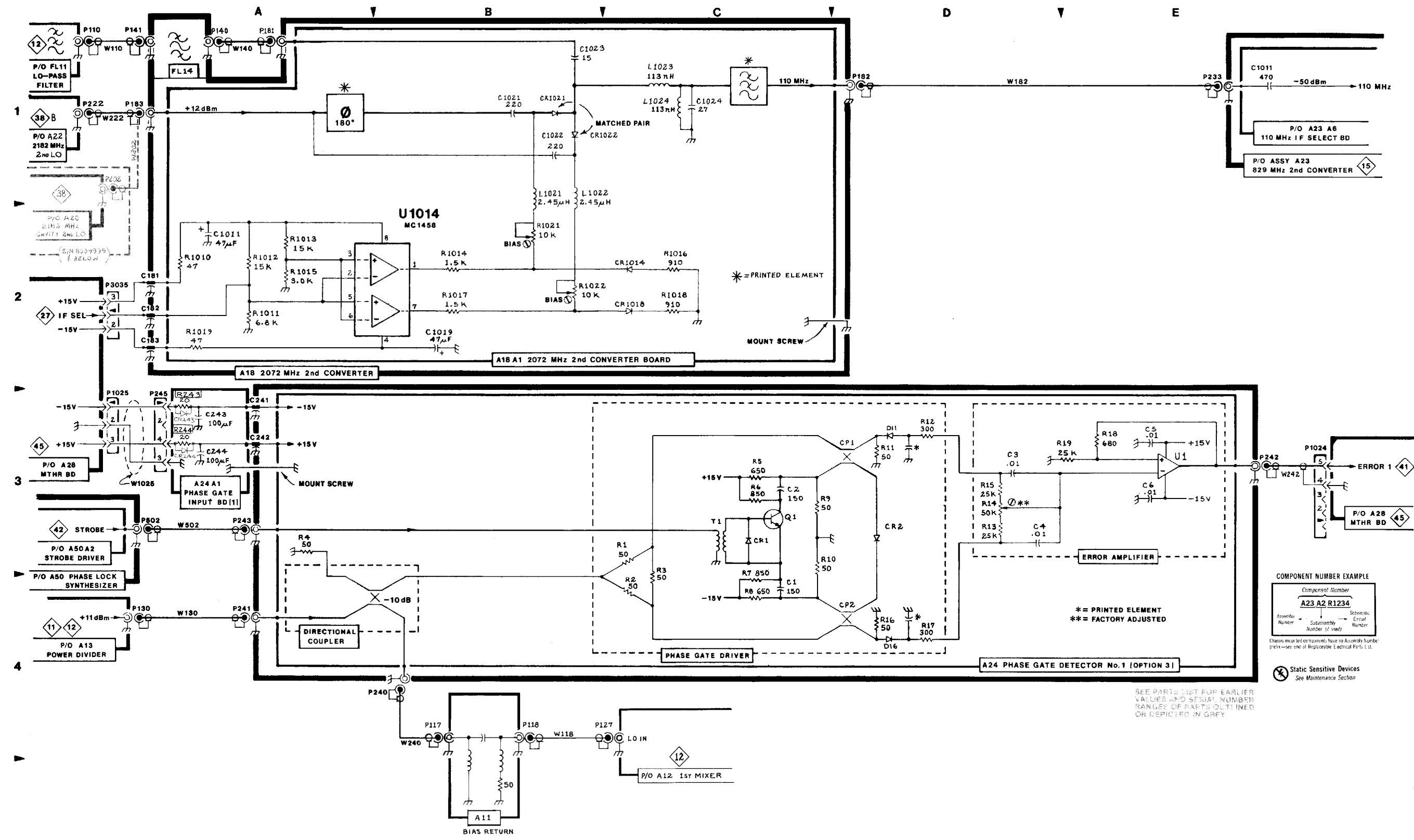
Phase Gate

CIRCUIT NUMBER	SCHEM LOCATION	BOARD LOCATION	CIRCUIT NUMBER	SCHEM LOCATION	BOARD LOCATION	CIRCUIT NUMBER	SCHEM LOCATION	BOARD LOCATION
C1	C4	NA	Q1	C3	NA	R11	D3	NA
C2	C3	NA				R12	D3	NA
C3	D3	NA	R1	C3	NA	R13	D3	NA
C4	D3	NA	R2	C4	NA	R14	D3	NA
C5	E3	NA	R3	C3	NA	R15	D3	NA
C6	E3	NA	R4	A3	NA	R16	D4	NA
			R5	C3	NA	R17	D4	NA
CP1	D3	NA	R6	C3	NA	R18	E3	NA
CP2	D4	NA	R7	C3	NA	R19	E3	NA
CR1	C3	NA	R8	C4	NA			
CR2	D3	NA	R9	C3	NA	T1	C3	NA
			R10	C3	NA			

ASSEMBLY A24A1

Phase Gate Input

CIRCUIT NUMBER	SCHEM LOCATION	BOARD LOCATION	CIRCUIT NUMBER	SCHEM LOCATION	BOARD LOCATION	CIRCUIT NUMBER	SCHEM LOCATION	BOARD LOCATION
C243	A3	A1	CR243	A3	A1			
C244	A3	A1	CR244	A3	A1			



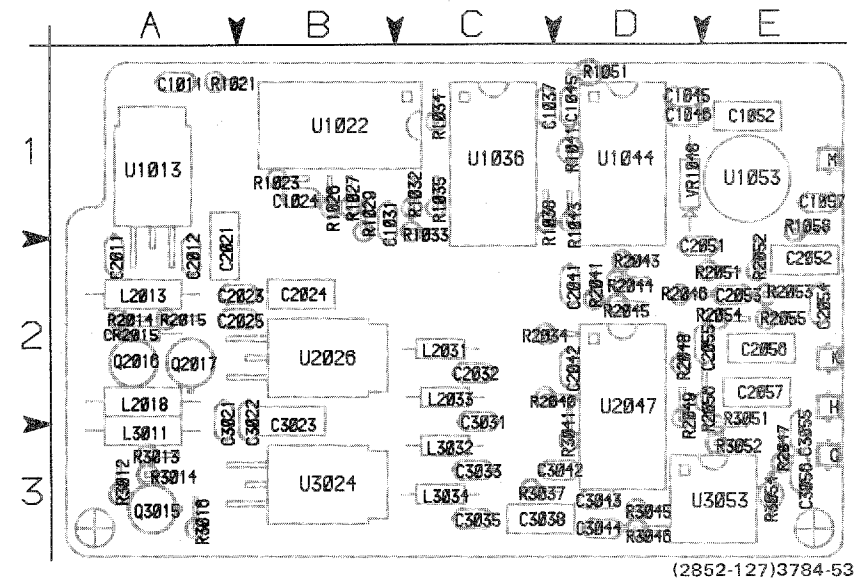
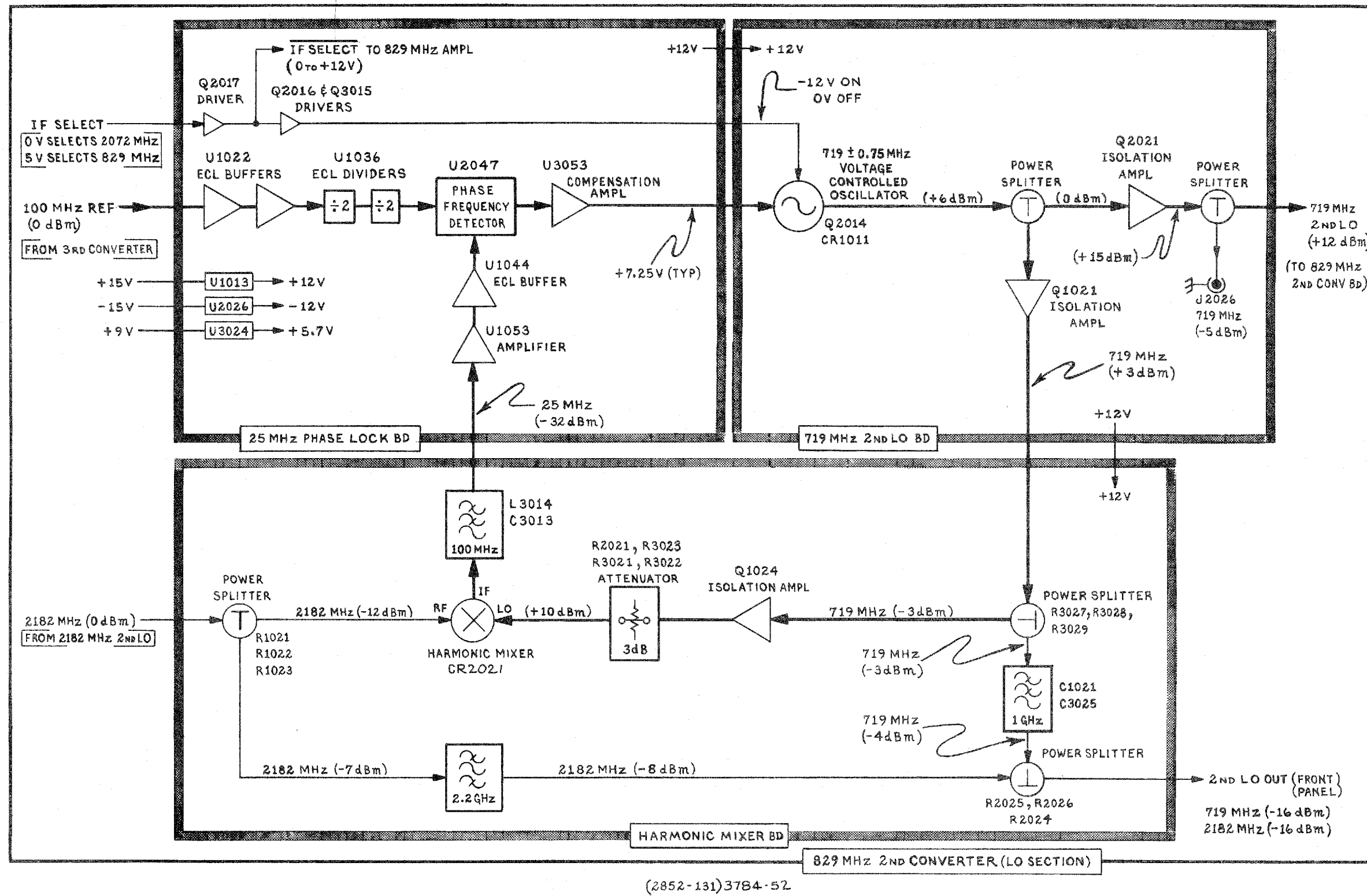
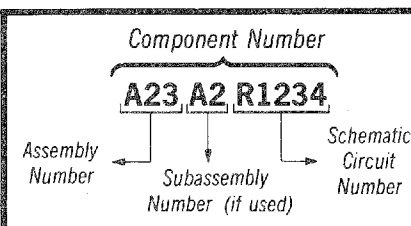


Fig. 8-4. A23A2—25 MHz Phase Lock circuit board.

Static Sensitive Devices
See Maintenance Section

COMPONENT NUMBER EXAMPLE



Chassis-mounted components have no Assembly Number prefix—see end of Replaceable Electrical Parts List.

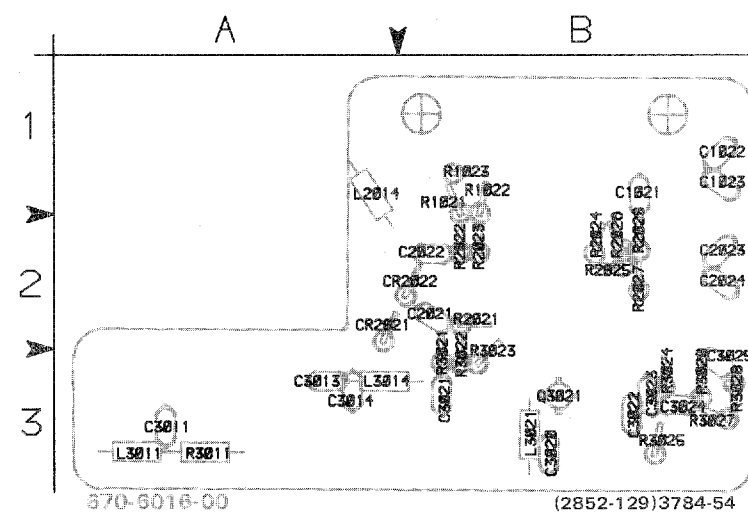
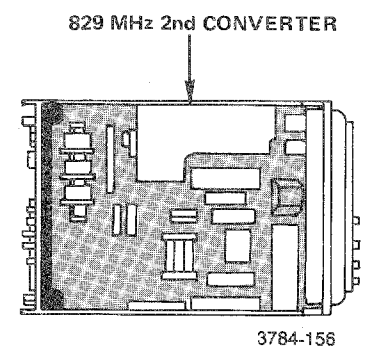


Fig. 8-5. A23A3—Harmonic Mixer circuit board.



829 MHz 2nd Converter (LO Section) DIAGRAM 14

ASSEMBLY A23A1

CIRCUIT NUMBER	SCHEM LOCATION	BOARD LOCATION	CIRCUIT NUMBER	SCHEM LOCATION	BOARD LOCATION	CIRCUIT NUMBER	SCHEM LOCATION	BOARD LOCATION	CIRCUIT NUMBER	SCHEM LOCATION	BOARD LOCATION
R2028	F4	NA	C2015	E4	NA	Q2014	F3	NA	R2013	F3	NA
C1011	D4	NA	C2021	E4	NA	Q2014	D4	NA	R2014	F3	NA
C1012	E3	NA	C2022	E5	NA	Q2021	E4	NA	R2016	E4	NA
C1013	F3	NA	C2023	E5	NA				R2021	E4	NA
C1021	D4	NA	C2024	F4	NA	R1011	E2	NA	R2023	E4	NA
C1022	D5	NA				R1020	D4	NA	R2024	E5	NA
C1023	D5	NA	CR1011	F2	NA	R1021	D5	NA	R2025	F4	NA
C1024	D4	NA				R1022	D5	NA	R2026	F5	NA
C1025	C4	NA	J2026	F5	NA	R1023	D4	NA	R2027	F4	NA
C2011	F3	NA				R1024	D4	NA			
C2012	F3	NA	L1011	D4	NA	R1025	D5	NA	TP1011	E2	NA
C2013	F3	NA	L1021	D4	NA	R2010	F3	NA			
C2014	F4	NA	L2010	F3	NA	R2011	F2	NA			
			L2021	E4	NA	R2012	F4	NA			

ASSEMBLY A23A2

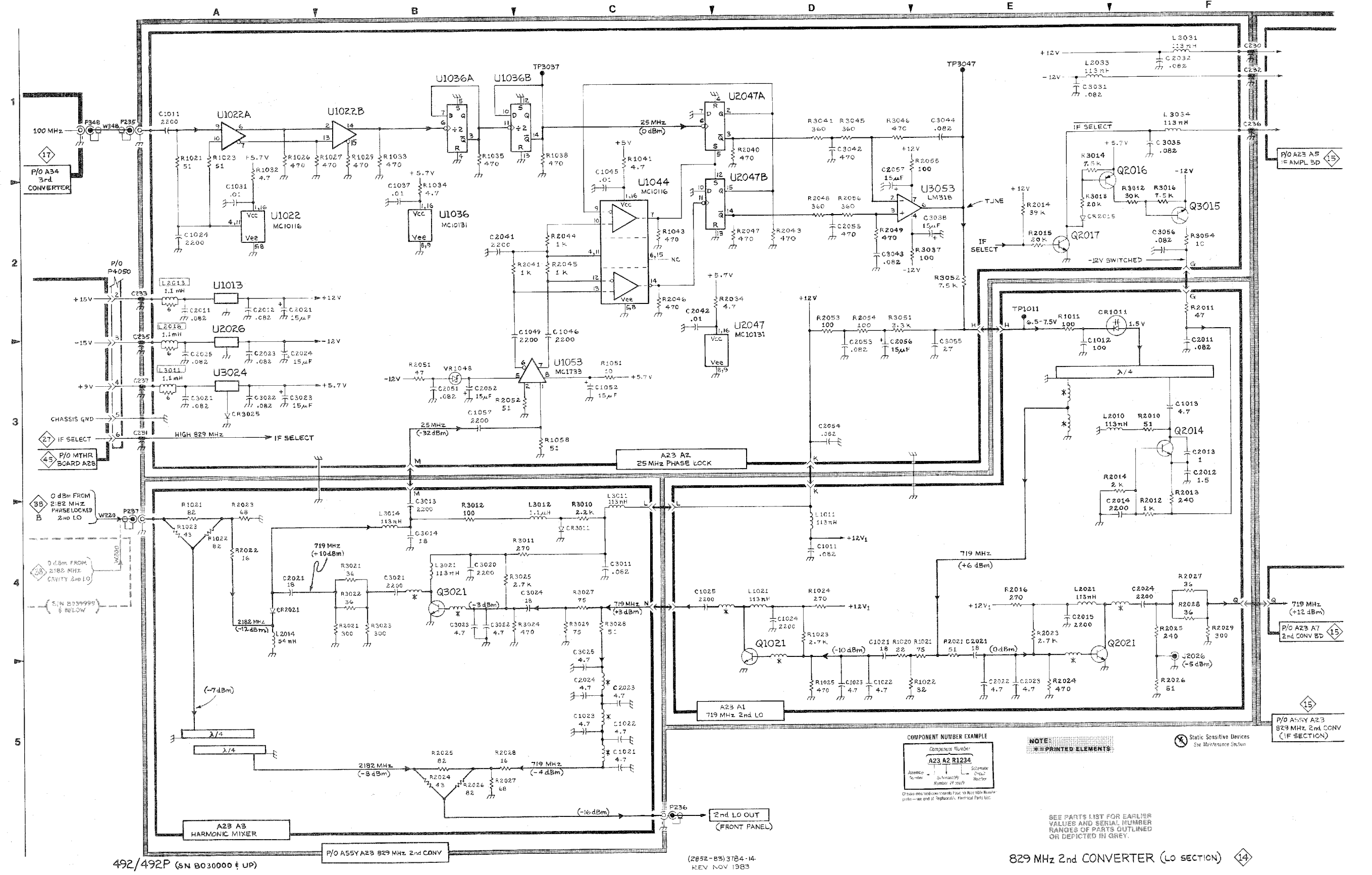
25 MHz Phase Lock

CIRCUIT NUMBER	SCHEM LOCATION	BOARD LOCATION	CIRCUIT NUMBER	SCHEM LOCATION	BOARD LOCATION	CIRCUIT NUMBER	SCHEM LOCATION	BOARD LOCATION	CIRCUIT NUMBER	SCHEM LOCATION	BOARD LOCATION
C1011	A1	A1	C3035	F1	C3	R1034	B2	C1	R3037	E2	C3
C1024	A2	B1	C3038	E2	C3	R1035	B1	C1	R3041	D1	D3
C1031	A2	B1	C3042	D1	C3	R1038	C1	C1	R3045	D1	D3
C1037	B2	C1	C3043	D2	D3	R1041	C1	D1	R3046	D1	D3
C1045	C2	D1	C3044	E1	D3	R1043	C2	D1	R3051	D2	E2
C1046	C2	D1	C3055	E3	E3	R1051	C3	D1	R3052	E2	E3
C1052	C3	E1	C3056	F2	E3	R1058	C3	E1	R3054	F2	E3
C1057	B3	E1				R2014	E2	A2			
C2011	A2	A2	CR2015	E2	A2	R2015	E2	A2	U1013	A2	A1
C2012	A2	A2				R2034	D2	C2	U1022	A2	B1
C2021	A2	A2	L2013	A2	A2	R2040	D1	C2	U1022A	A1	B1
C2023	A3	A2	L2018	A2	A2	R2041	C2	D2	U1022B	B1	B1
C2024	A3	B2	L2031	F1	C2	R2043	D2	D2	U1036B	C1	C1
C2025	A3	A2	L2033	E1	C2	R2044	C2	D2	U1036	B2	C1
C2032	F1	C2	L3011	A3	A3	R2045	C2	D2	U1036A	B1	C1
C2041	B2	D2	L3034	F1	C3	R2046	C2	D2	U1044	C2	D1
C2042	C2	D2				R2047	D2	F3	U1053	C3	E1
C2051	B3	E2	Q2016	E2	A2	R2048	D2	D2	U2026	A3	B2
C2052	B3	E2	Q2017	E2	A2	R2049	D2	D2	U2047A	D2	D2
C2053	D3	E2	Q3015	F2	A3	R2051	B3	E2	U2047	D3	D2
C2054	D3	E2				R2053	D2	E2	U2047A	D1	D2
C2055	D2	E2	R1021	A1	A1	R2054	D2	E2	U3024	A3	B3
C2056	D3	E2	R1023	A1	B1	R2055	E1	E2	U3053	E2	E3
C2057	D1	E2	R1026	A1	B1	R2056	D2	E3	VR1048	B3	D1
C3021	A3	A3	R1027	B1	B1	R3012	F2	A3			
C3022	A3	B3	R1029	B1	B1	R3013	E2	A3			
C3023	A3	B3	R1032	A1	C1	R3014	E1	A3			
C3031	E1	C3	R1033	B1	C1	R3016	F2	A3			

ASSEMBLY A23A3

Harmonic Mixer

CIRCUIT NUMBER	SCHEM LOCATION	BOARD LOCATION	CIRCUIT NUMBER	SCHEM LOCATION	BOARD LOCATION	CIRCUIT NUMBER	SCHEM LOCATION	BOARD LOCATION	CIRCUIT NUMBER	SCHEM LOCATION	BOARD LOCATION
C1021	C5	B1	C3023	B4	B3	Q3021	B4	B3	R3011	C4	A3
C1022	C5	B1	C3023	C5	B3				R3021	B4	B2
C1023	C5	B1	C3024	C5	B3	R1021	A4	B1	R3022	B4	B2
C2021	A4	B2	C3024	C4	B3	R1022	A4	B1	R3023	B4	B2
C2022	A4	B2	C3025	C5	B3	R1023	A4	B1	R3024	C4	B3
C2023	A5	B2				R2021	B4	B2	R3025	C4	B3
C2024	A5	B2	CR2022	A4	B2	R2022	A4	B2	R3027	C4	B3
C3011	C4	A3	CR2021	A4	B2	R2023	A4	B2	R3028	C4	B3
C3013	B4	A3				R2024	B5	B2	R3029	C4	B3
C3014	B4	A3	L2014	A5	A1	R2025	B5	B2			
C3020	B4	B3	L3011	C4	A3	R2026	B5	B2			
C3021	B4	B3	L3014	B4	A3	R2027	B5	B2			
C3022	B4	B3	L3021	B4	B3	R2028	B5	B2			



829 MHz 2nd Converter (LO Section) 14

829 MHz 2nd Converter (LO Section) 14

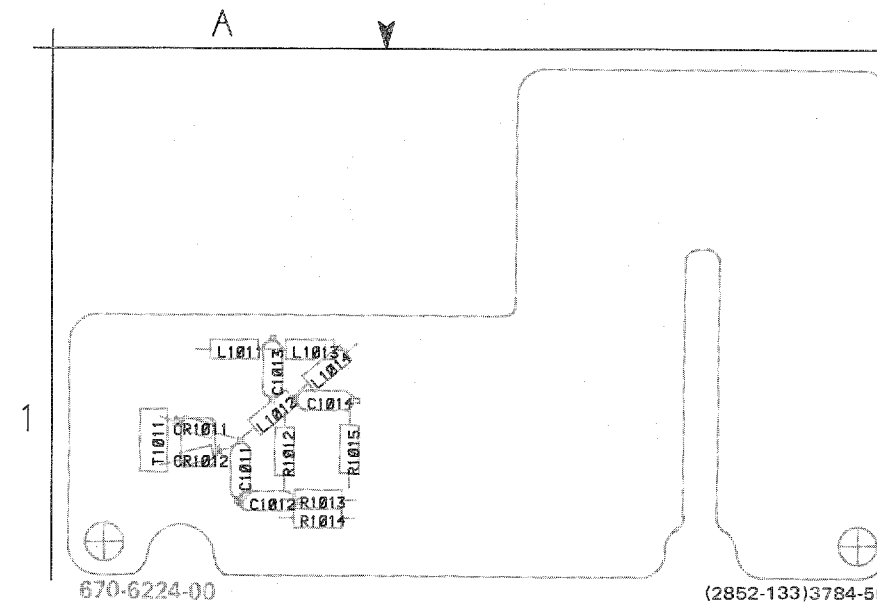
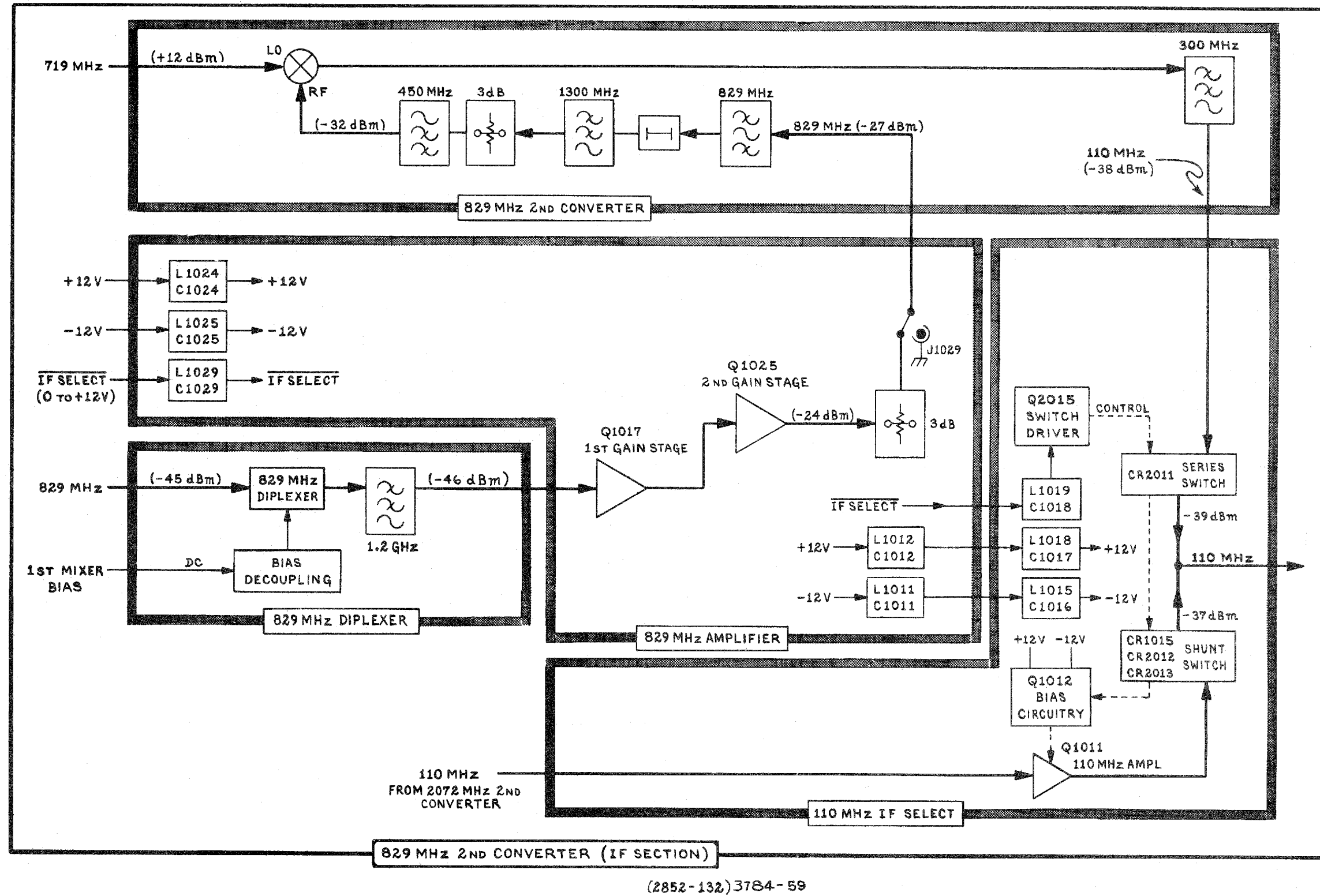


Fig. 8-6. A23A7—829 MHz 2nd Converter circuit board.

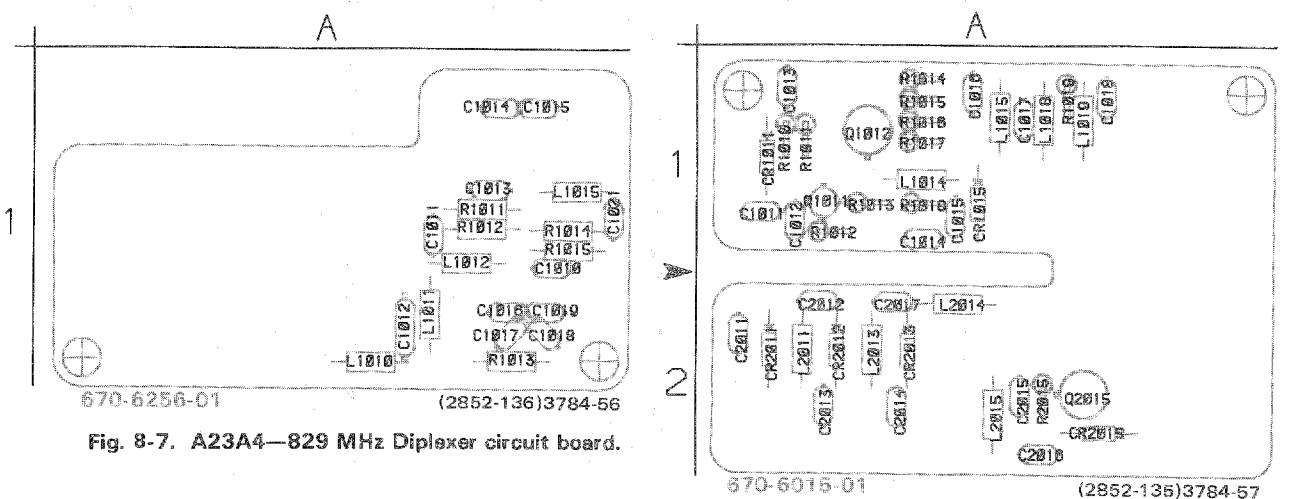


Fig. 8-7. A23A4—829 MHz Diplexer circuit board.

Fig. 8-8. A23A6—110 MHz IF Select circuit board.

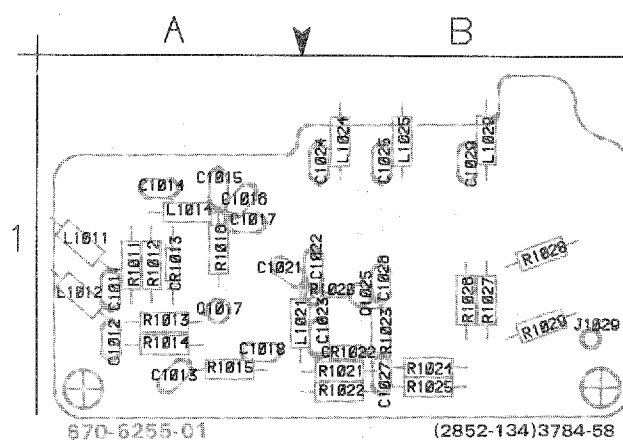
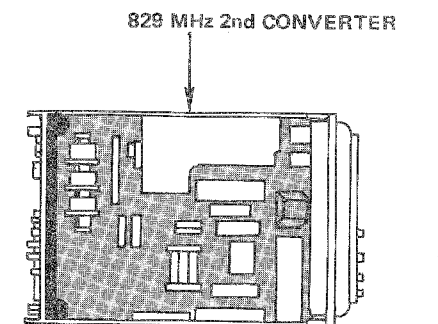
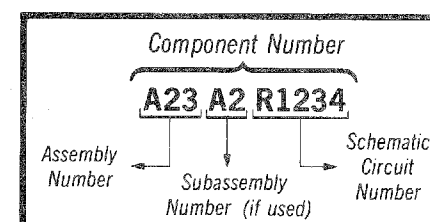


Fig. 8-9. A23A5—829 MHz Amplifier circuit board.



⊗ Static Sensitive Devices
See Maintenance Section

COMPONENT NUMBER EXAMPLE



Chassis-mounted components have no Assembly Number prefix—see end of Replaceable Electrical Parts List.

829 MHz 2nd Converter (IF Section) DIAGRAM 15

ASSEMBLY A23A7

CIRCUIT NUMBER	SCHEM LOCATION	BOARD LOCATION
C1011	B1	A1
C1012	B1	A1
C1013	E1	A1
C1014	E1	A1
R1014	C1	A1
R1015	C1	A1
T1011	B1	A1

829 MHz 2nd Converter

CIRCUIT NUMBER	SCHEM LOCATION	BOARD LOCATION
CR1011	B1	A1
CR1012	B1	A1
L1011	E1	A1
L1012	E1	A1
L1013	E1	A1
L1014	E1	A1
R1012	C1	A1
R1013	C1	A1

ASSEMBLY A23A5

CIRCUIT NUMBER	SCHEM LOCATION	BOARD LOCATION
C1011	D4	A1
C1012	D3	A1
C1013	C4	A1
C1014	C4	A1
C1015	C4	A1
C1016	C4	A1
C1017	C4	A1
C1018	C3	A1
C1021	C3	A1
C1022	C2	B1
C1023	C2	B1
C1024	A2	B1
C1025	A2	B1
R1020	C3	B1
R1021	C2	B1
R1022	C3	B1
R1023	C2	B1
R1024	C2	B1
R1025	C2	B1
R1026	D3	B1
R1027	D2	B1
R1029	D3	B1
Q1017	C4	A1
Q1025	D3	B1

829 MHz Amplifier

CIRCUIT NUMBER	SCHEM LOCATION	BOARD LOCATION
C1026	D2	B1
C1027	C2	B1
C1029	A3	B1
CR1013	C4	A1
CR1022	C2	B1
J1029	D2	B1
L1011	D4	A1
L1012	D3	A1
L1014	C4	A1
L1021	C3	A1
L1024	A2	B1
L1025	A2	B1
L1029	A3	B1

ASSEMBLY A23A6

CIRCUIT NUMBER	SCHEM LOCATION	BOARD LOCATION
C1011	D5	A1
C1012	E5	A1
C1013	E5	A1
C1015	E4	A1
C1016	E4	A1
C1017	E3	A1
C1018	E3	A1
C2011	E3	A2
C2012	E3	A2
C2013	E3	A2
C2014	E3	A2
R1010	E5	A1
R1011	E5	A1
R1012	E5	A1
R1013	E5	A1
R1014	E5	A1
R1015	E5	A1
R1016	E4	A1
R1017	E4	A1
R1018	E5	A1
R1019	E2	A1
R2015	E2	A2

110 MHz IF Select

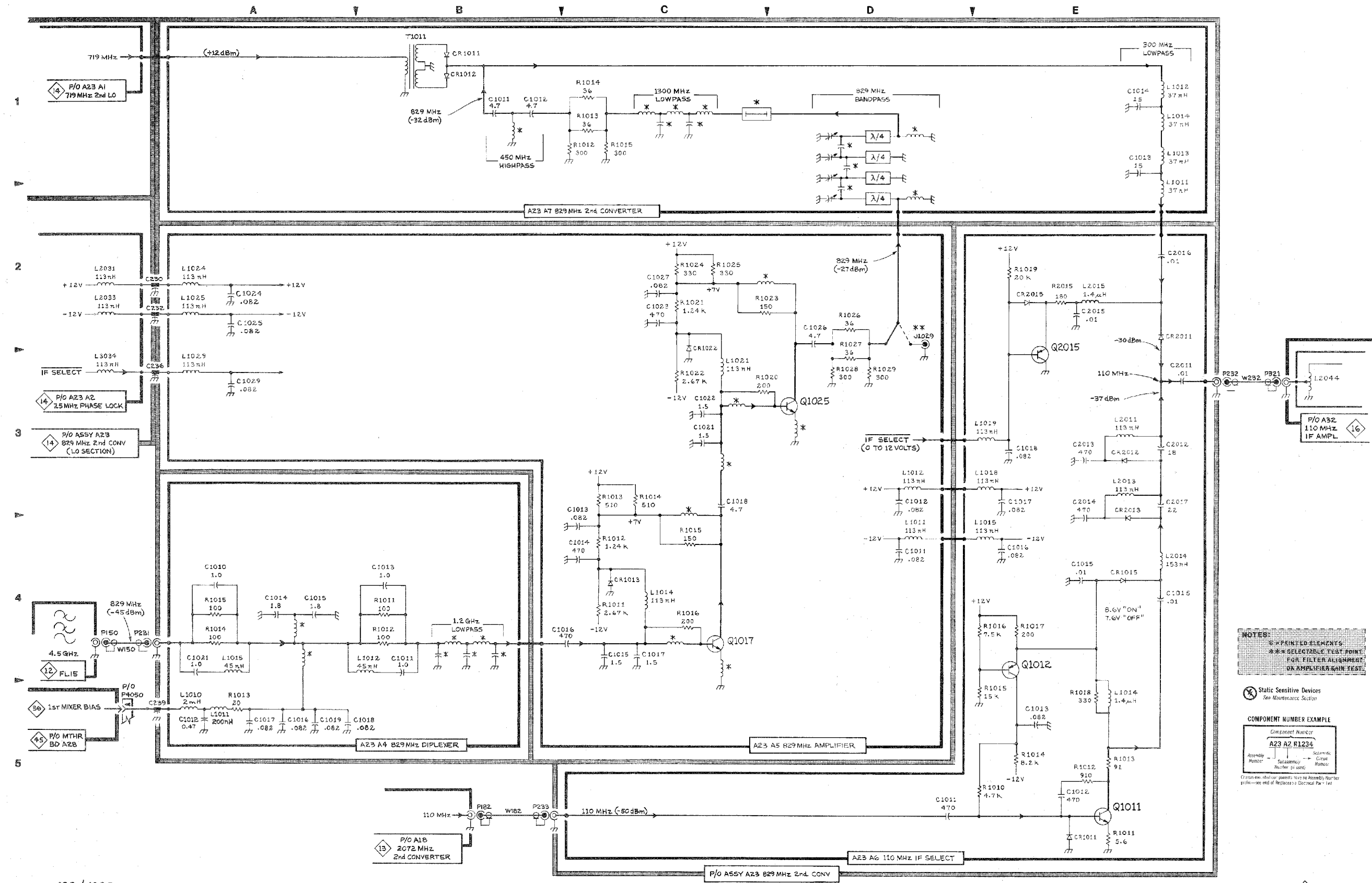
CIRCUIT NUMBER	SCHEM LOCATION	BOARD LOCATION
C2015	E2	A2
C2016	E2	A2
C2017	E3	A2
CR1011	E5	A1
CR1015	E4	A1
CR2013	E3	A2
CR2012	E3	A2
CR2011	E2	A2
CR2015	E2	A2
L1014	E5	A1
L1015	E4	A1
L1018	E3	A1
L1019	E3	A1
L2011	E3	A2
L2013	E3	A2
L2014	E4	A2
L2015	E2	A2
Q1011	E5	A1
Q1012	E4	A1
Q2015	E2	A2

ASSEMBLY A23A4

CIRCUIT NUMBER	SCHEM LOCATION	BOARD LOCATION
C1010	A4	A1
C1011	B4	A1
C1012	A5	A1
C1013	B4	A1
C1014	A5	A1
C1014	A4	A1
R1013	A5	A1
R1014	A4	A1
R1015	A4	A1
L1010	A5	A1
L1012	B4	A1
L1015	A4	A1
R1011	B4	A1
R1012	B4	A1

829 MHz Diplexer

CIRCUIT NUMBER	SCHEM LOCATION	BOARD LOCATION
C1015	A4	A1
C1016	A5	A1
C1017	A5	A1
C1018	A5	A1
C1019	A5	A1
C1021	A4	A1



492/492P (SN B030000 1 UP)

(2852-84) 3784-15 REV. JAN. 1987

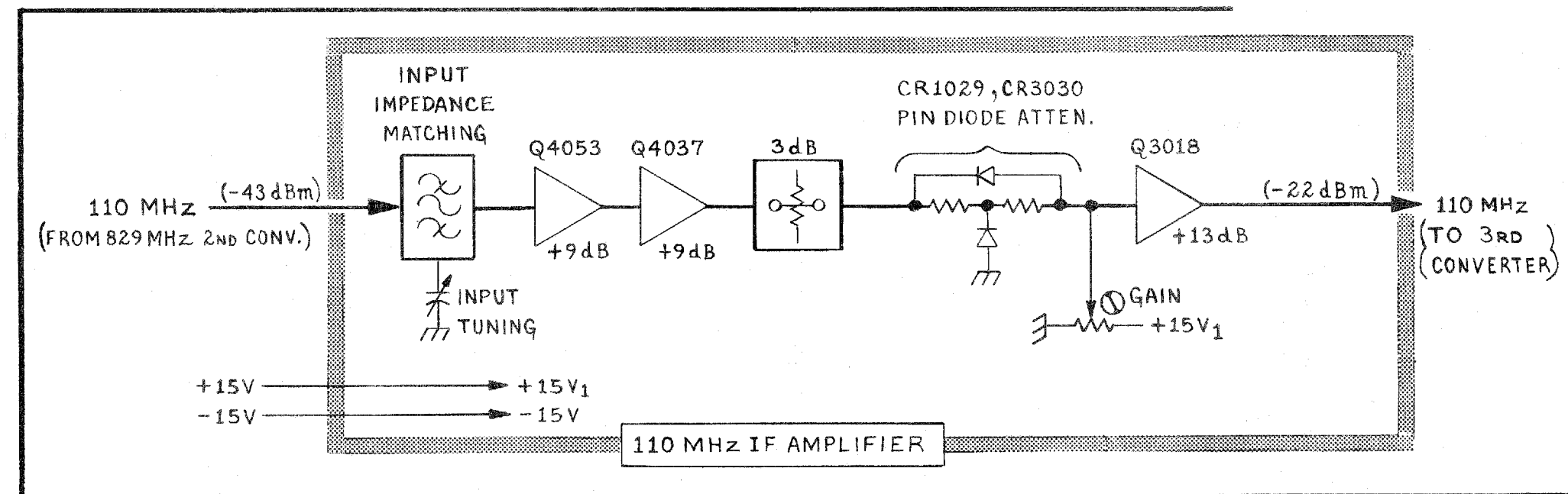
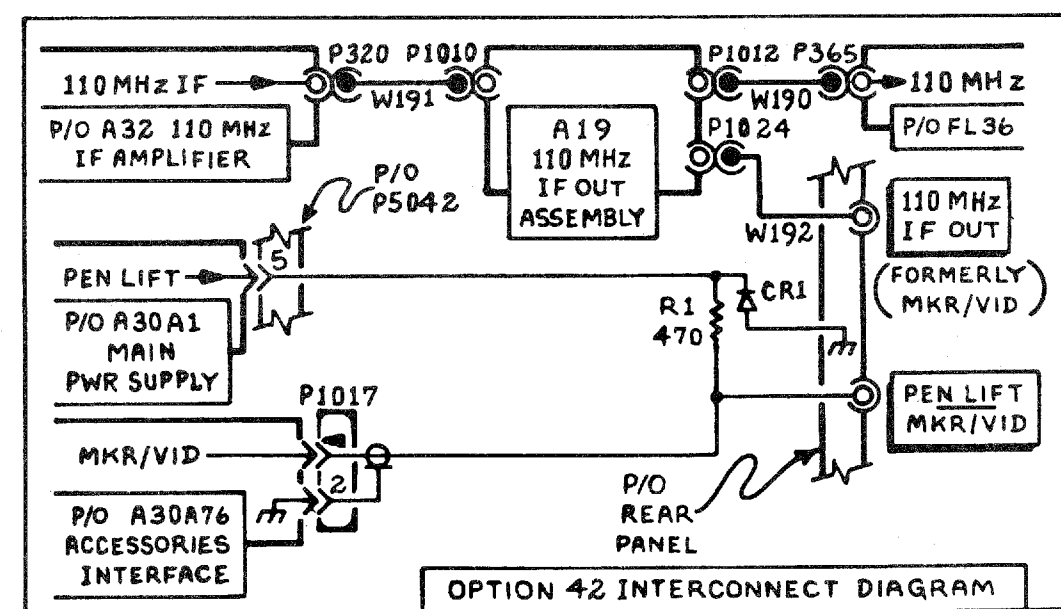
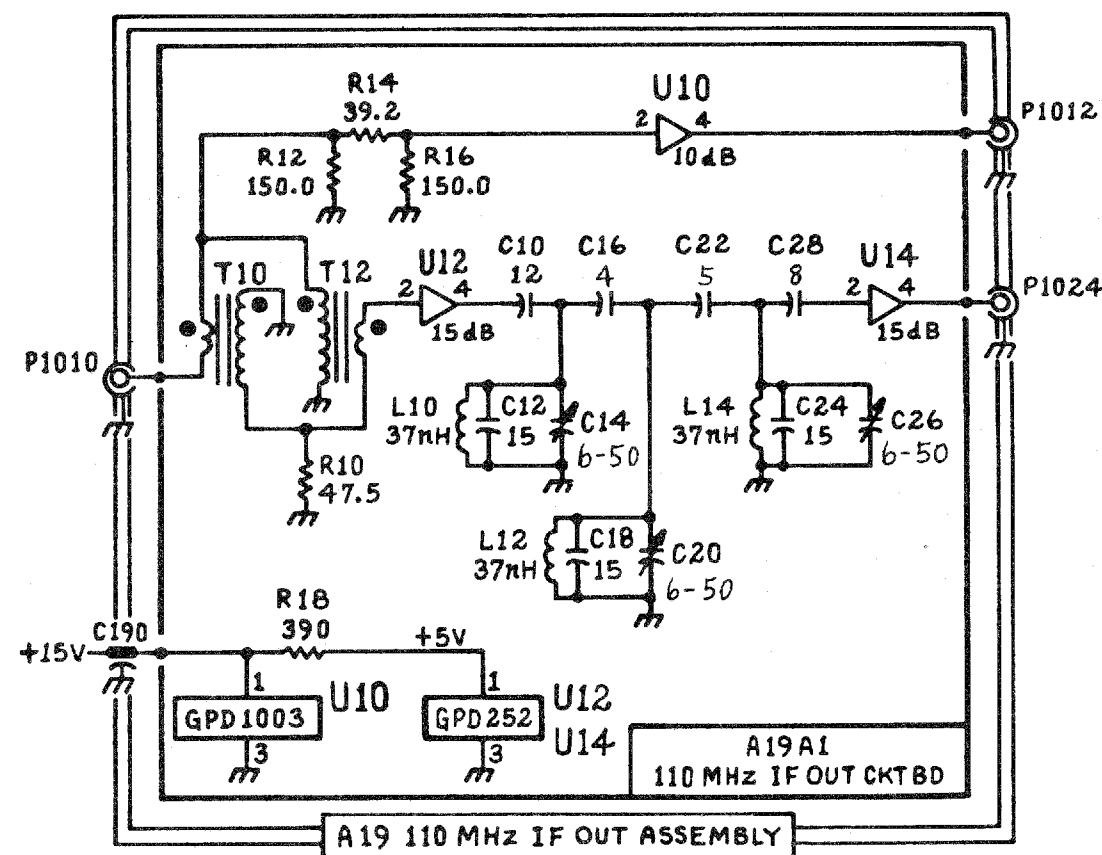
829 MHz 2nd Converter (IF Section) 15

NOTES:
 * PRINTED ELEMENTS
 ** SELECTABLE TEST POINT
 *** FILTER ALIGNMENT ON AMPLIFIER GAIN TEST

Static Sensitive Devices
 See Maintenance Section

COMPONENT NUMBER EXAMPLE
 Component Number
A23 A2 R1234
 Assembly Number Part Assembly Case
 Number Part Number Part Number
 (Continuation of the previous page)

829 MHz 2nd Converter (IF SECTION) 15



(2852-138)3784-60

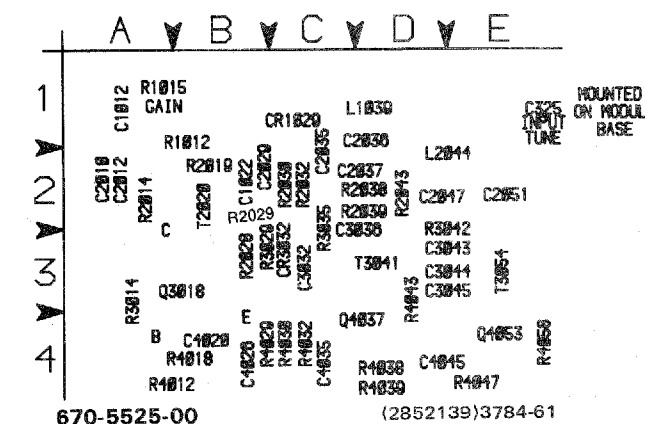
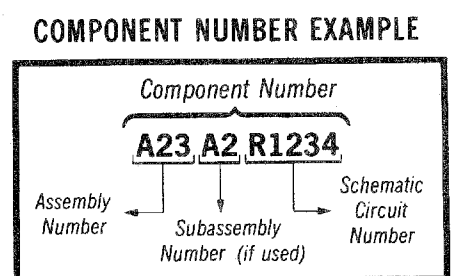
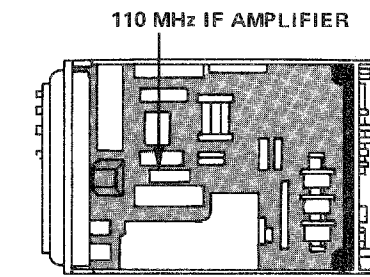


Fig. 8-10. A32A1—110 MHz IF Amplifier circuit board.

Static Sensitive Devices
See Maintenance Section



Chassis-mounted components have no Assembly Number prefix—see end of Replaceable Electrical Parts List.



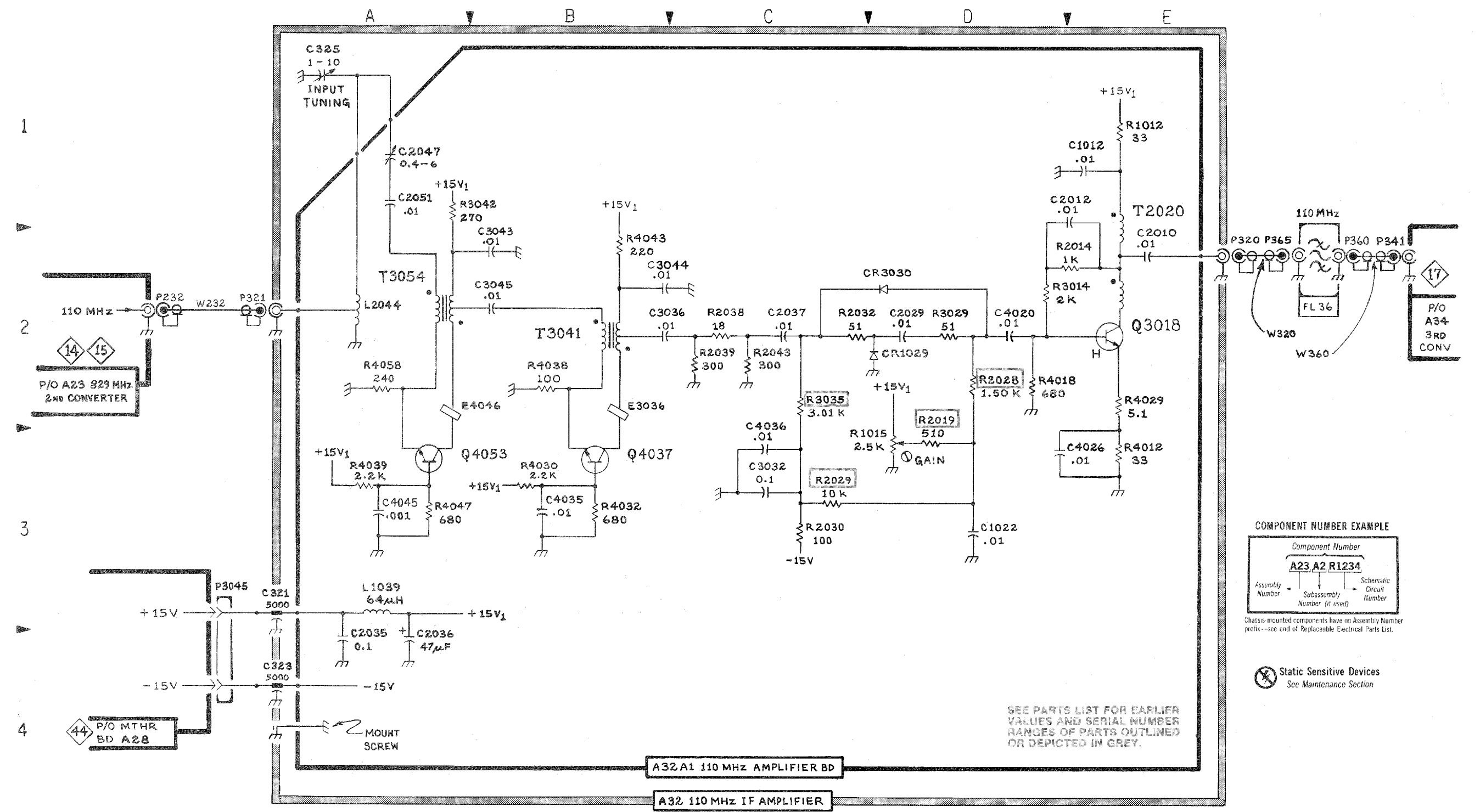
3784-154

110 MHz IF DIAGRAM 16

ASSEMBLY A32A1

110 MHz IF Amplifier

CIRCUIT NUMBER	SCHEM LOCATION	BOARD LOCATION	CIRCUIT NUMBER	SCHEM LOCATION	BOARD LOCATION	CIRCUIT NUMBER	SCHEM LOCATION	BOARD LOCATION
C325	A1	E1	CR1029	D2	C1	R2039	C2	C2
C1012	E1	A1	CR3032	D2	C3	R2043	C2	D2
C1022	D3	B2				R3014	D2	A3
C2010	E2	A2	E3036	B2	NA	R3029	D2	B3
C2012	E1	A2	E4046	A2	NA	R3035	C2	C2
C2029	D2	B2				R3042	A1	D2
C2035	A4	C2	L1039	A3	D1	R4012	E3	A4
C2036	A4	C2	L2044	A2	D2	R4018	D2	B4
C2037	C2	D2				R4029	E2	B4
C2047	A1	D2	Q3018	E2	A3	R4030	B3	B4
C2051	A1	D2	Q4037	B3	C4	R4032	B3	C4
C3032	C3	C3	Q4053	A3	E4	R4038	B2	D4
C3036	B2	C2				R4039	A3	D4
C3043	B2	D3	R1012	E1	B1	R4043	B2	D3
C3044	B2	D3	R1015	D3	A1	R4047	A3	E4
C3045	B2	D3	R2014	E2	A2	R4058	A2	E4
C4020	D2	B4	R2019	D3	B2			
C4026	D3	B4	R2028	D2	B3	T2020	E1	B2
C4035	B3	C4	R2029	D3	B2	T3041	B2	D3
C4036	C3	C4	R2030	C3	C2	T3054	A2	E3
C4045	A3	D4	R2032	C2	C2			
			R2038	C2	C2			



COMPONENT NUMBER EXAMPLE

Component Number
A23 A2 R1234

Assembly Number - Subassembly Number (if used) - Schematic Circuit Number

Chassis-mounted components have no Assembly Number prefix—see end of Replaceable Electrical Parts List.

Static Sensitive Devices
See Maintenance Section

SEE PARTS LIST FOR EARLIER VALUES AND SERIAL NUMBER CHANGES OF PARTS OUTLINED OR DEPICTED IN GREY.

492/492P (5N B030000 ±UP)

(2852 - 85) 3784-16
REV JUNE 81

110 MHz IF 16

110 MHz IF

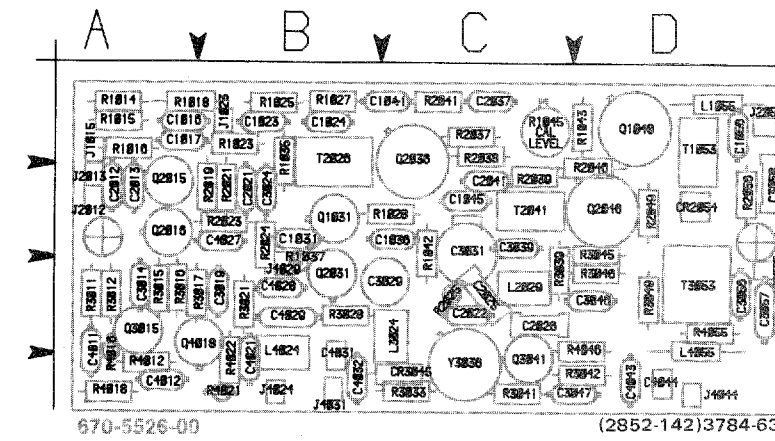
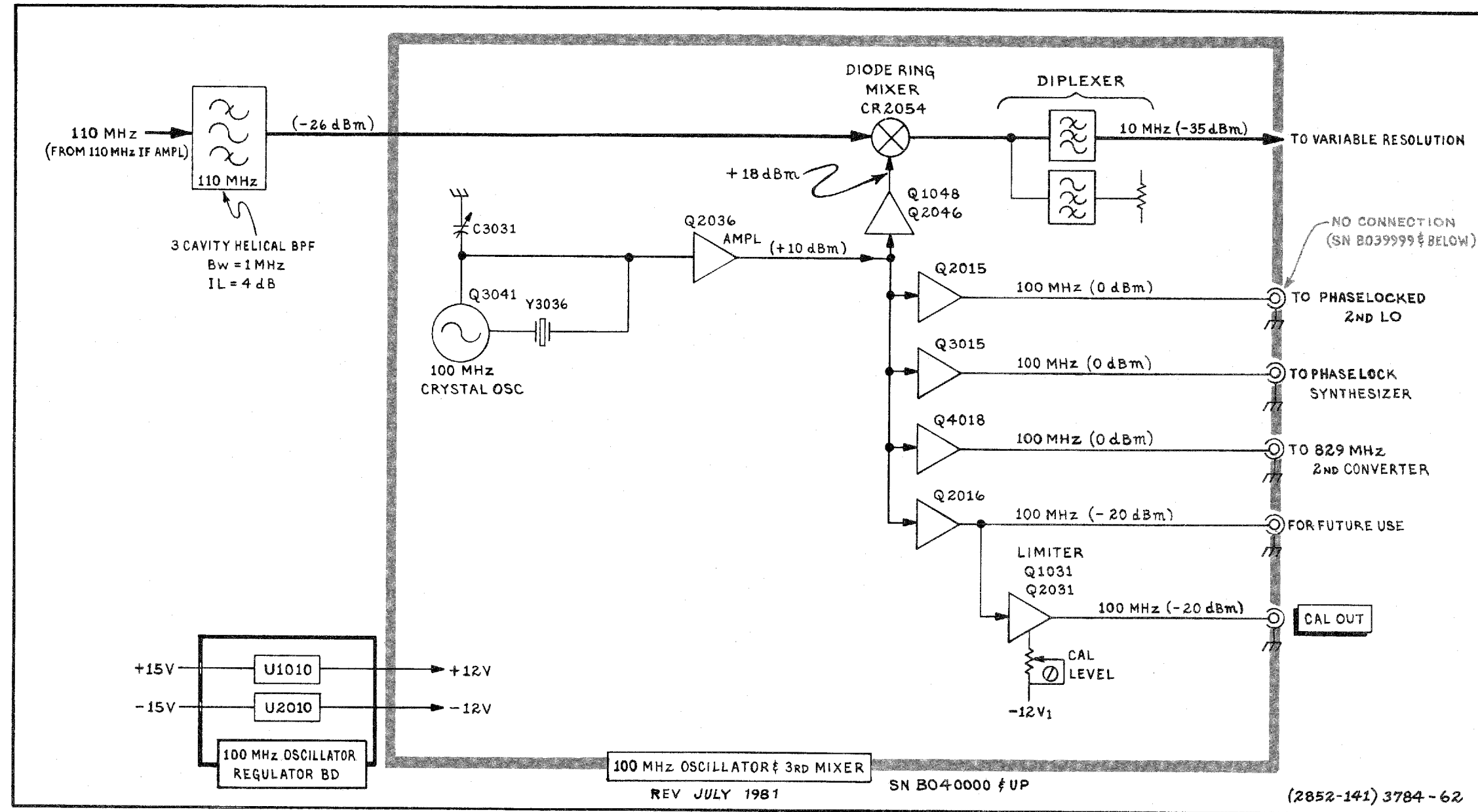
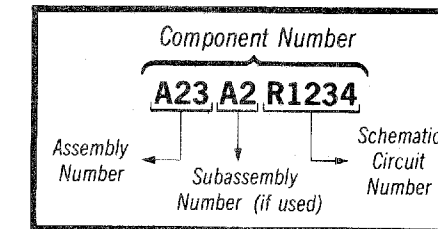


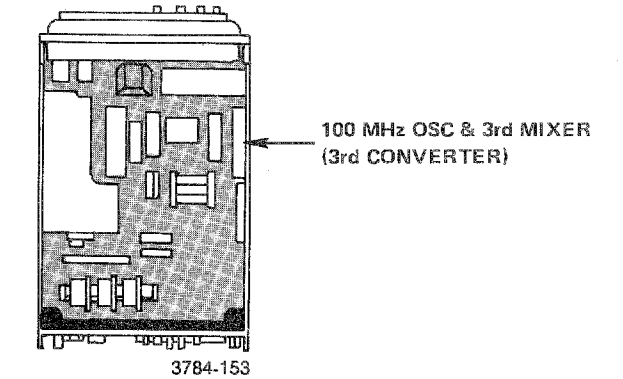
Fig. 8-11. A34A1—100 MHz OSC & 3rd Mixer circuit board.

Static Sensitive Devices
See Maintenance Section

COMPONENT NUMBER EXAMPLE



Chassis-mounted components have no Assembly Number prefix—see end of Replaceable Electrical Parts List.

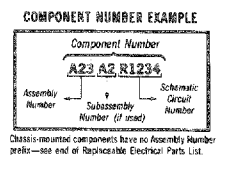
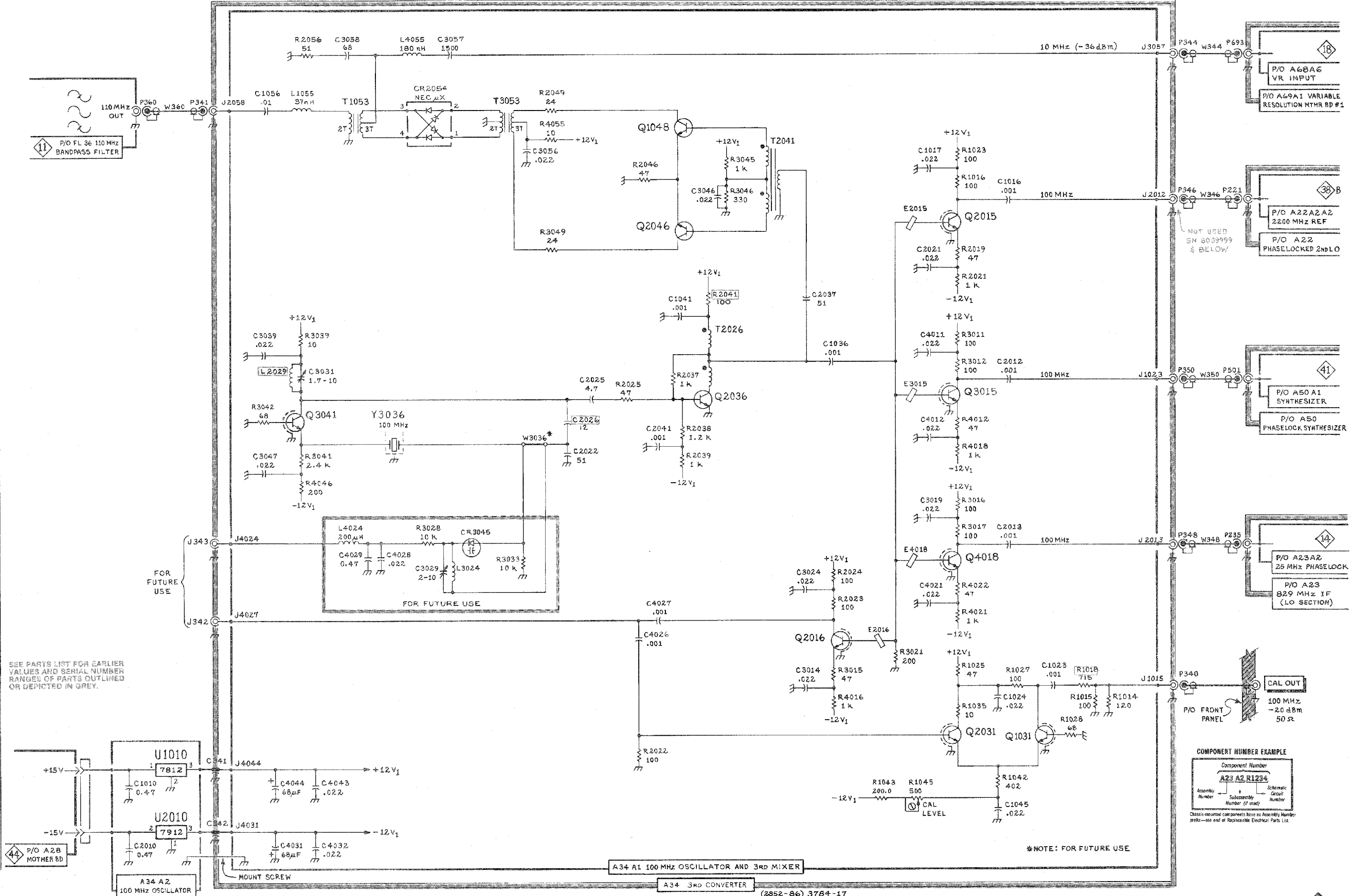


3rd Converter DIAGRAM 17

ASSEMBLY A34A1

CIRCUIT NUMBER	SCHEM LOCATION	BOARD LOCATION	CIRCUIT NUMBER	SCHEM LOCATION	BOARD LOCATION	CIRCUIT NUMBER	SCHEM LOCATION	BOARD LOCATION	CIRCUIT NUMBER	SCHEM LOCATION	BOARD LOCATION
L1055	B1	E1	C4028	B3	B3	Q1031	E4	B2	R2049	C1	D2
C1016	E2	A1	C4029	B4	B3	Q1048	C1	D1	R2056	B2	E2
C1017	E2	A1	C4031	B5	B4	Q2015	E3	A2	R3011	E3	A3
C1023	E4	B1	C4032	B5	B4	Q2016	C4	A2	R3012	E3	A3
C1024	E4	B1	C4043	B5	D4	Q2031	E4	B3	R3015	C4	A3
C1036	D2	C2	C4044	B5	E4	Q2036	D2	C1	R3016	E1	A3
C1041	D2	C1	C4026	C4	B2	Q2046	C2	D2	R3017	E1	A3
C1045	E5	C2				Q3015	E3	A3	R3021	D4	B3
C1056	B1	E1	CR2054	B1	E2	Q3041	B2	D4	R3028	B3	B3
C2012	E3	A2	CR3045	B3	C4	Q4018	E2	A4	R3033	B3	C4
C2013	E2	A2				R1014	E4	A1	R3039	B2	D3
C2021	E3	B2				R1015	E4	A1	R3041	B3	D4
C2022	C3	C3				R1016	E2	A1	R3042	B2	D4
C2025	C2	C3				R1018	E4	A1	R3045	D1	D2
C2026	C2	D3				R1018	E4	A1	R3046	D1	D3
C2037	D2	C1				R1023	E2	B1	R3049	C2	D3
C2041	D2	C2	J1015	A1	A1	R1025	E4	B1	R4012	E3	A4
C3014	C4	A3	J1023	F2	B1	R1027	E4	B1	R4016	C4	A4
C3019	E1	B3	J2012	A2	A2	R1028	E4	C2	R4018	E4	A4
C3024	C4	B2	J2013	A2	A2	R1035	E4	B1	R4021	E2	B4
C3029	B3	C3	J2058	E1	E1	R1042	E5	C2	R4022	E2	B4
C3031	B2	C2	J3057	E3	E3	R1043	D5	D1	R4046	B3	D4
C3039	B2	D2	J4024	B4	B4	R1045	D5	D1	R4055	C1	E3
C3046	D1	D3	J4029	B2	B3	R2019	E3	A2	R2022	C5	B2
C3057	C1	E3	J4031	B4	B4	R2021	E3	B2	T1053	B1	E1
C3058	B1	E2	J4044	E4	E4	R2023	C4	B2	T2026	D2	B1
C4011	E3	A4	L1055	B1	E1	R2024	C4	B2	T2041	D1	D2
C4012	E3	A4	L2029	B2	D3	R2025	C2	C3	T3053	C1	E3
C4021	E2	B4	L3024	C3	C3	R2037	D2	C1	W3036	B3	C4
C4027	C4	B2	L4024	B4	B4	R2038	D2	C1	Y3Q36	B2	C4
			L4055	C1	E4	R2039	D2	D1			
						R2041	D1	C1			
						R2046	C1	D1			

100 MHz OSC & 3rd Mixer



*NOTE: FOR FUTURE USE

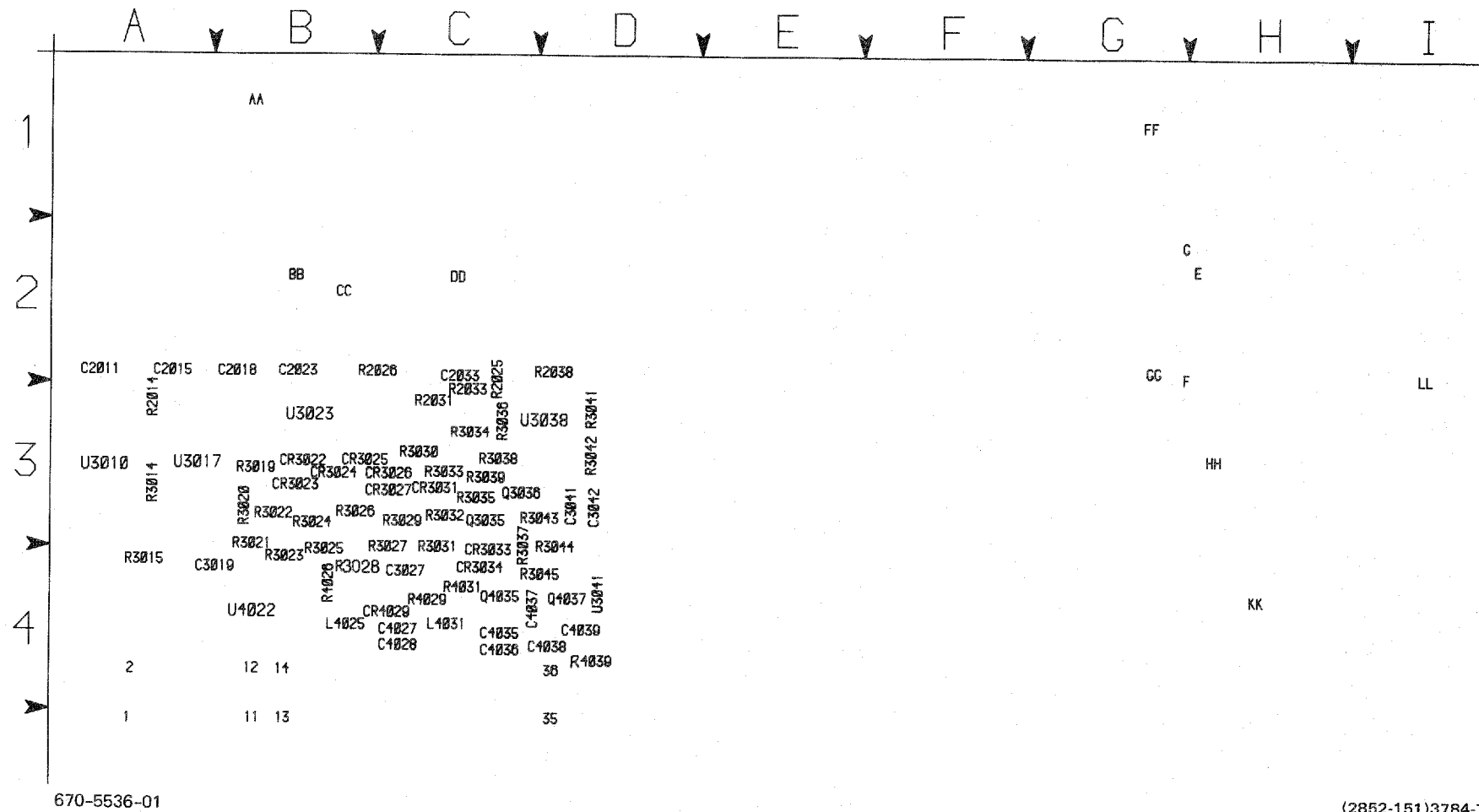
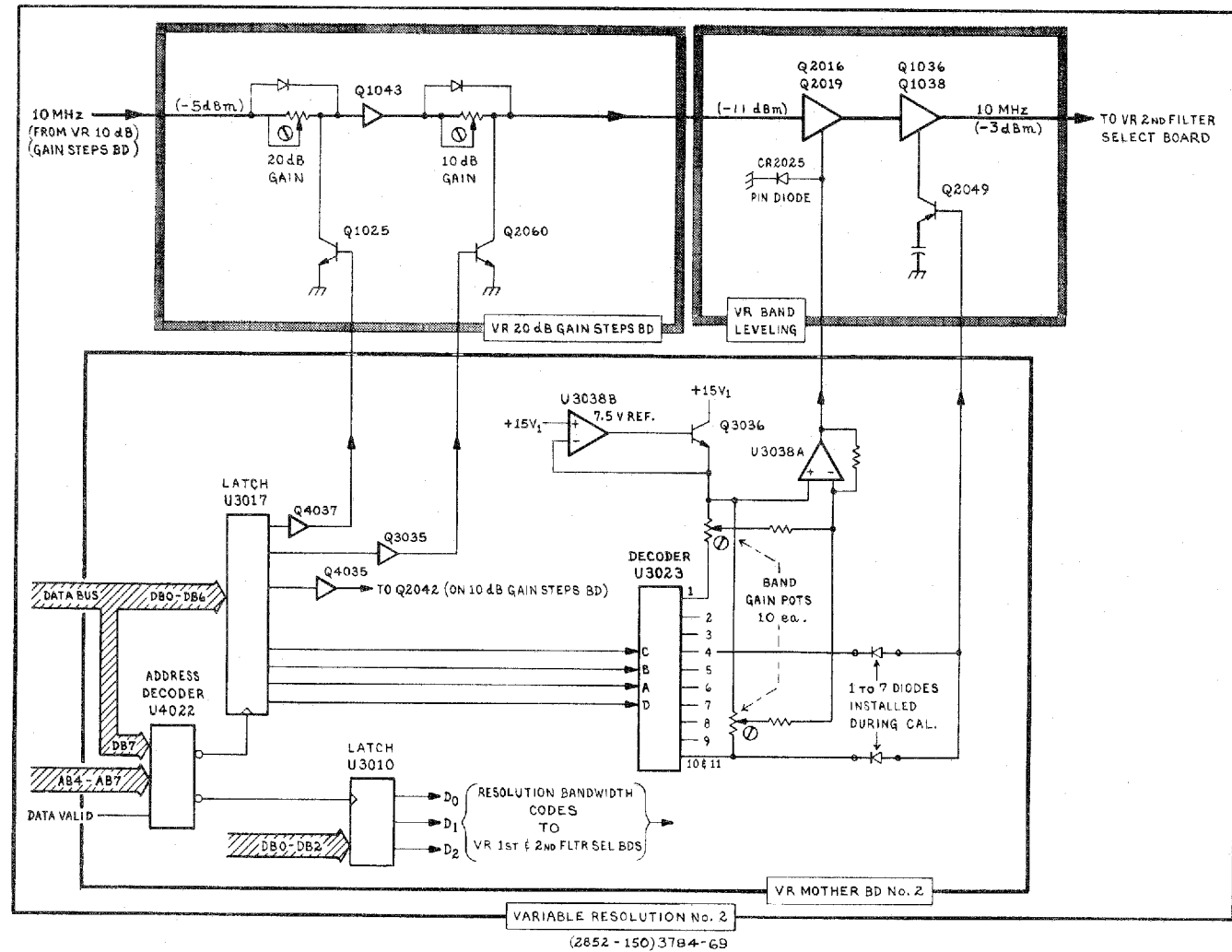
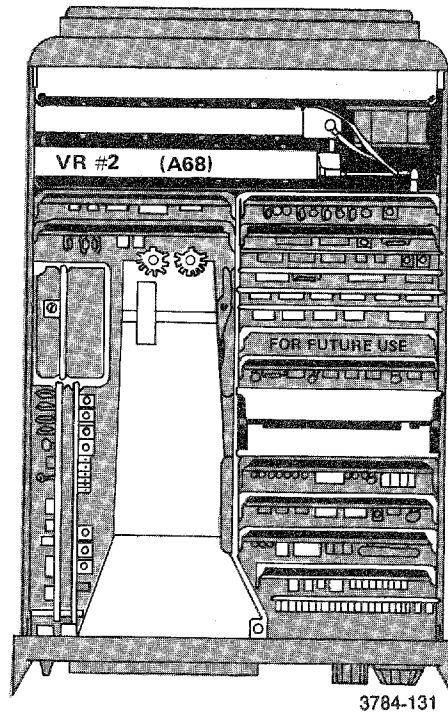


Fig. 8-16. A68A1-#2 VR Mother circuit board.



REV OCT 1985

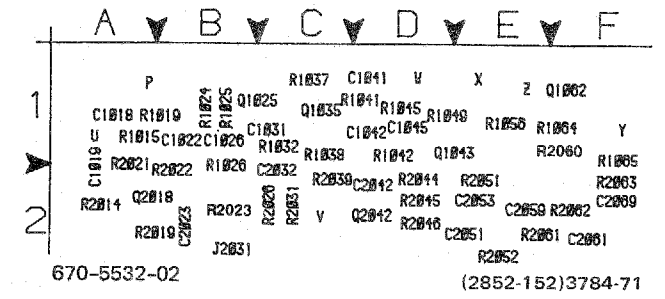


Fig. 8-17. A68A9-20 dB Gain Steps circuit board.

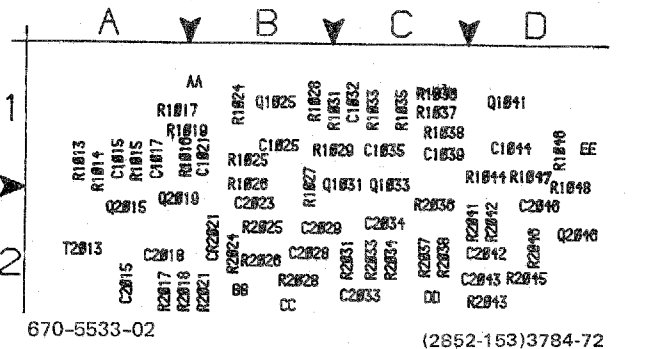
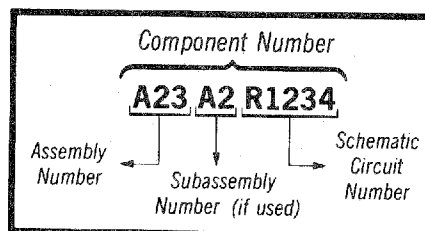


Fig. 8-18. A68A3-Band leveling circuit board.

⚡ Static Sensitive Devices
See Maintenance Section

COMPONENT NUMBER EXAMPLE



Chassis-mounted components have no Assembly Number prefix—see end of Replaceable Electrical Parts List.

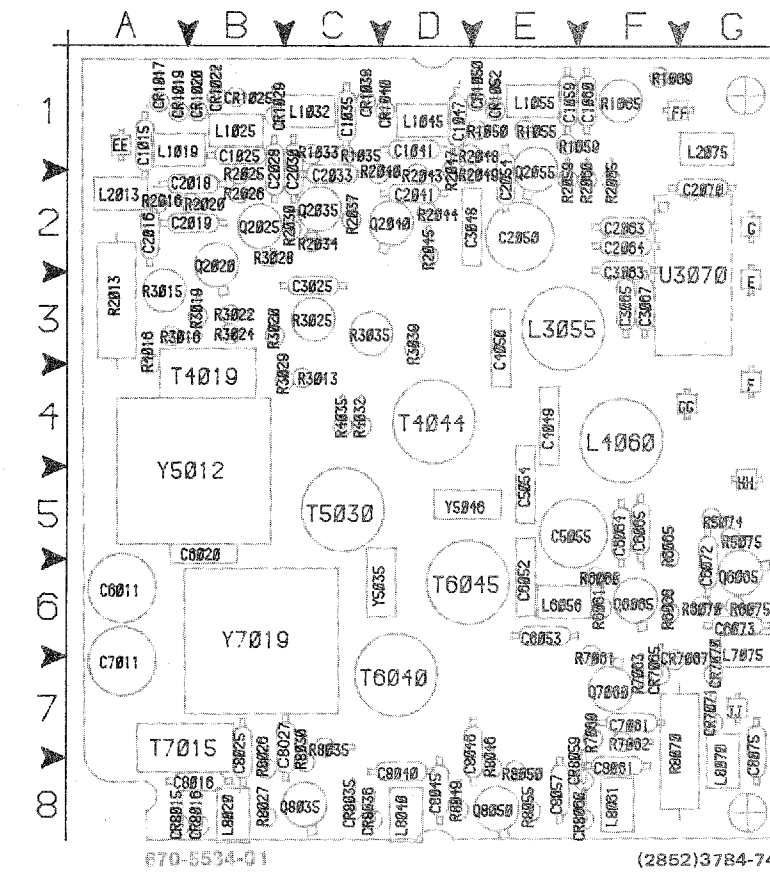
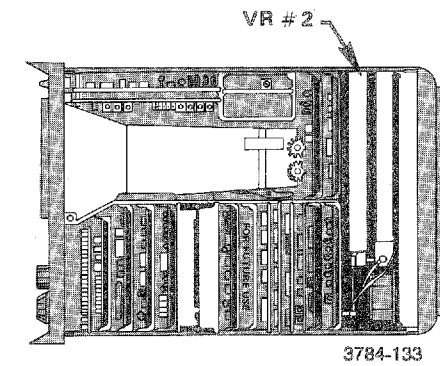
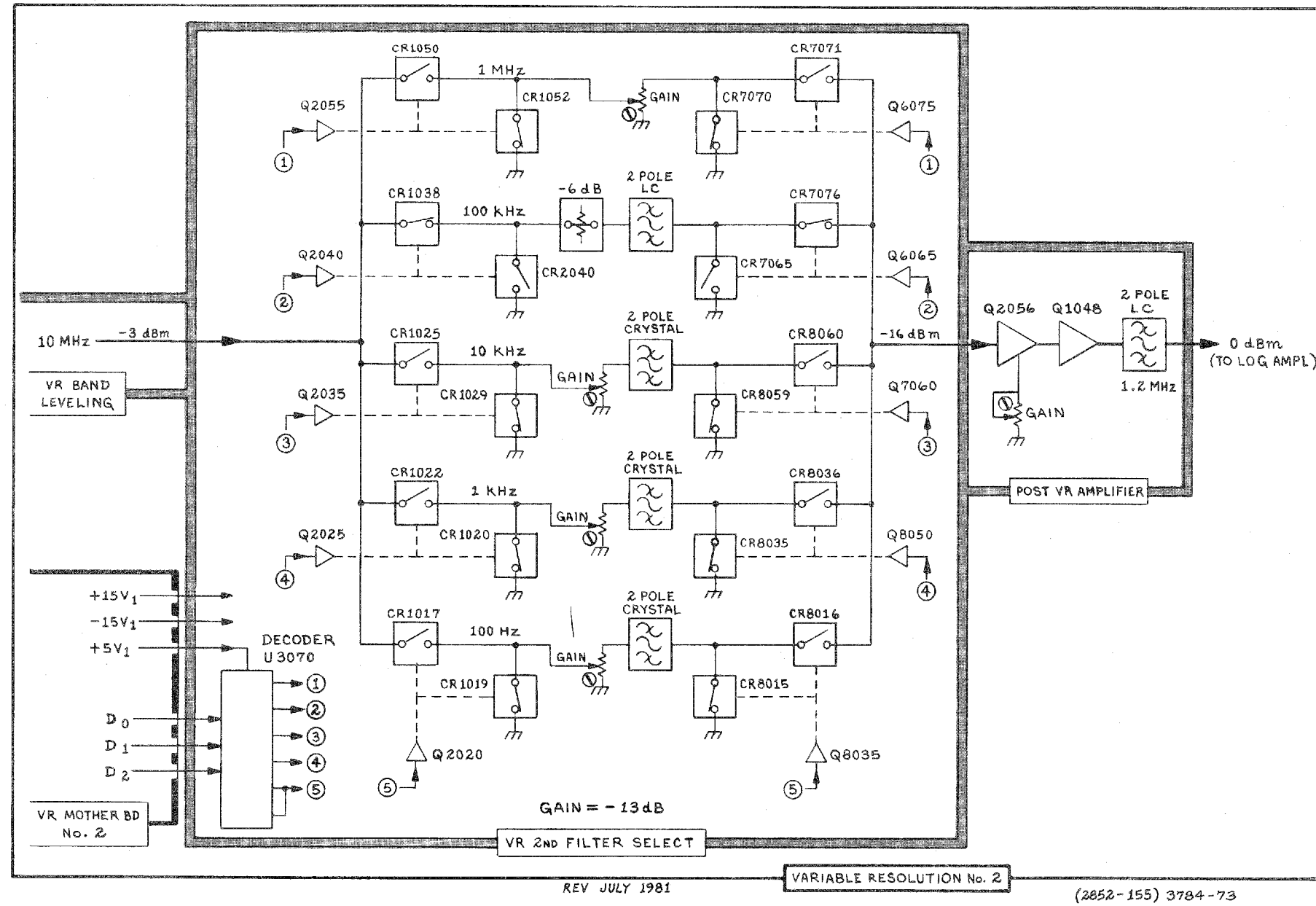


Fig. 8-19. A68A2—2nd Filter Select circuit board.

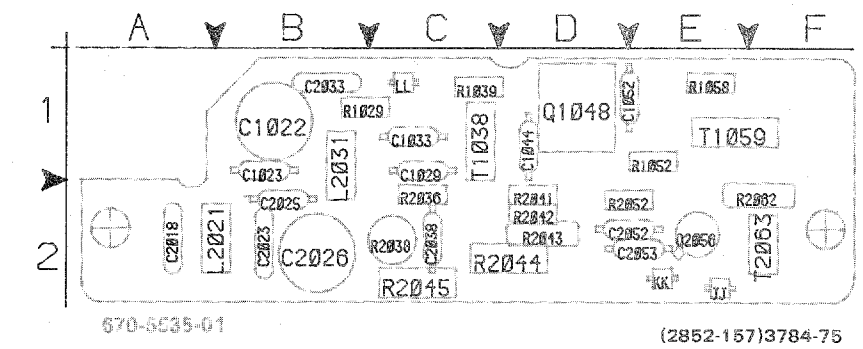
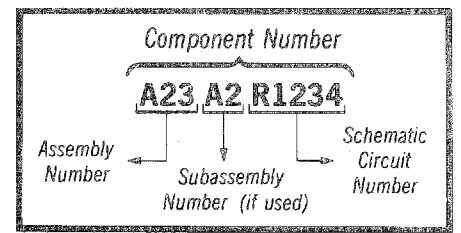


Fig. 8-20. A68A4—Post VR Amplifier circuit board.

⚡ Static Sensitive Devices
See Maintenance Section

COMPONENT NUMBER EXAMPLE



Chassis-mounted components have no Assembly Number prefix—see end of Replaceable Electrical Parts List.

Variable Resolution No 2 DIAGRAM 20

ASSEMBLY A68A2

CIRCUIT NUMBER	SCHEM LOCATION	BOARD LOCATION
C1015	A1	A1
C1025	B4	B1
C1035	C3	C1
C1041	B2	D1
C1047	C2	D1
C1059	B1	E1
C1080	C1	F1
C2018	C4	A2
C2018	B5	B2
C2019	B5	B2
C2028	B4	B2
C2030	B3	C2
C2033	B3	C2
C2041	C2	D2
C2050	D2	E2
C2054	C1	F2
C2063	B3	F2
C2064	B3	F2
C2070	B2	G2
C3025	C3	C3
C3048	C2	D2
C3063	B3	F3
C3065	B4	F3
C3067	B4	F3
C4048	D2	E4
C4050	D2	E3
C5054	D2	E5
C5055	D2	F5
C6011	D5	A6
C6020	D4	B6
C6052	D2	E6
C6053	E2	E6
C6064	E2	F5
C6065	C1	F5
C6072	E1	G5
C7011	D5	A7
C7061	E3	F7
C8018	D4	B8
C8025	F5	B8
C8027	E5	C8
C8040	D3	D8
C8045	E4	D8

2nd Filter Select

CIRCUIT NUMBER	SCHEM LOCATION	BOARD LOCATION
C8048	E4	E8
C8057	E3	F8
C8061	E3	F8
C8075	E3	G7
CR1017	B4	A1
CR1019	B4	A1
CR1020	B4	B1
CR1022	B3	B1
CR1025	B3	B1
CR1038	C1	C1
CR1040	B2	D1
CR1050	B1	E1
CR1052	B1	F1
CR7065	E2	G7
CR7067	E2	G7
CR7070	E1	G7
CR7071	E1	G7
CR8015	E4	B8
CR8018	E4	B8
CR8035	E4	C8
CR8036	E3	C8
CR8059	E3	F8
CR8060	E3	F8

CIRCUIT NUMBER	SCHEM LOCATION	BOARD LOCATION
Q2025	C4	B2
Q2035	C3	C2
Q2040	C2	D2
Q2055	C1	F2
Q8065	E2	F6
Q8075	E1	G5
Q7060	E3	F7
Q8035	E5	C8
Q8050	E4	E8
R1033	B3	C1
R1035	B3	C1
R1050	C1	E1
R1055	B1	E1
R1059	B1	F1
R1069	C1	F1
R1089	C1	F1
R2013	B5	A3
R2016	B5	A2
R2020	C5	B2
R2025	B4	B2
R2026	C4	B2
R2030	B4	C2
R2034	B3	C2
R2037	B3	C2
R2040	C2	D2
R2043	B2	D2
R2044	B2	D2
R2045	B2	D2
R2047	C2	D2
R2048	C2	E1
R2049	C2	E2
R2059	C1	F2
R2060	C1	F2
R2065	C1	F2
R3015	C4	A3
R3016	C4	A3
R3019	C4	B3
R3020	C4	B3
R3022	B5	B3
R3024	B5	B3
R3025	C3	C3
R3028	B4	B2

Post VR Amplifier

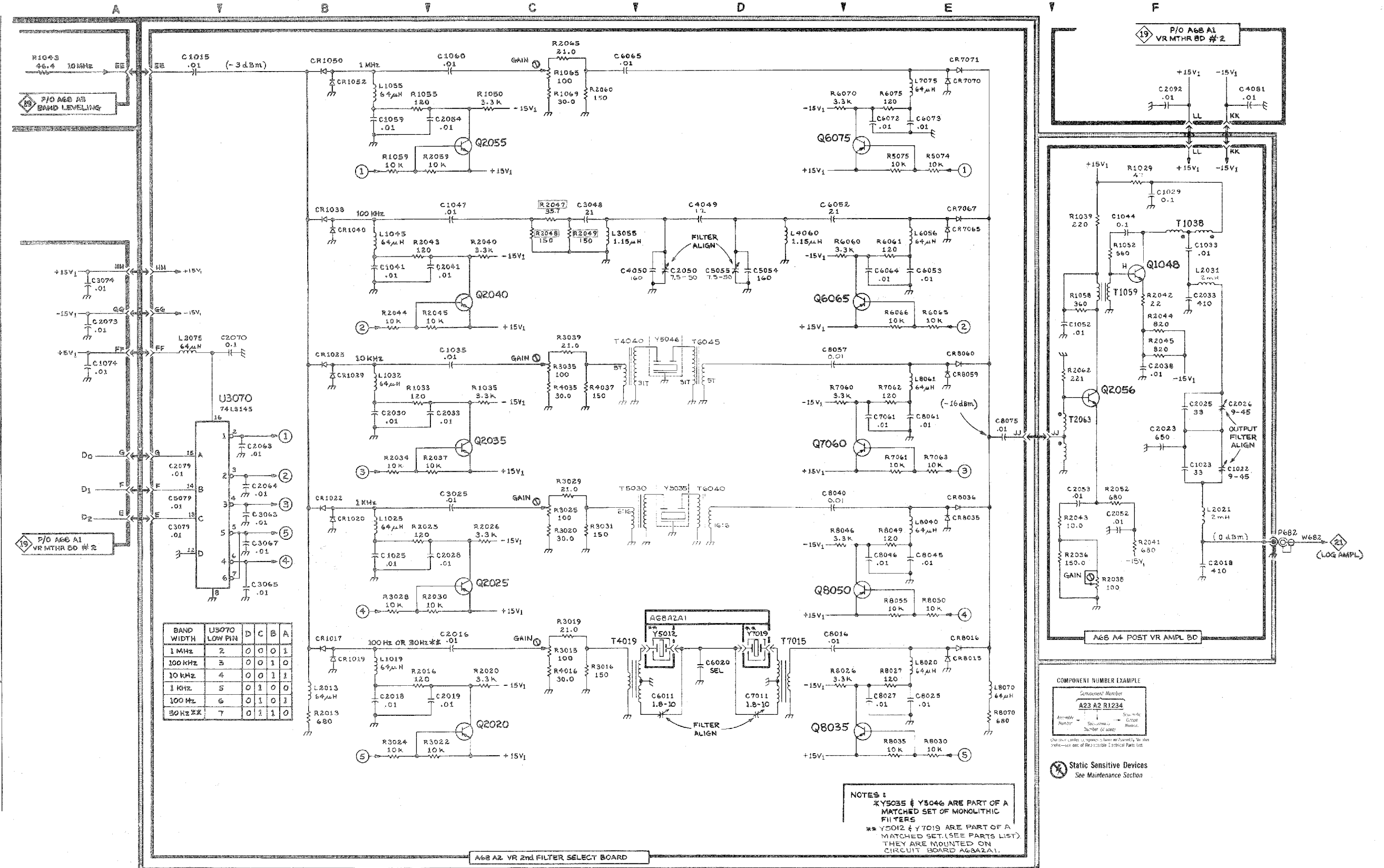
CIRCUIT NUMBER	SCHEM LOCATION	BOARD LOCATION
R3029	C3	C4
R3031	C4	C4
R3035	C3	C3
R3039	C3	D3
R4016	C4	A3
R4032	C3	C4
R4035	C3	C4
R5074	F1	G5
R5075	E1	G5
R6060	D2	F6
R6061	E2	F6
R6065	E2	G5
R6066	E2	G6
R6070	D1	G6
R6075	E1	G6
R7060	D3	F7
R7061	E3	F6
R7062	E3	F7
R7063	E3	F7
R8026	D5	B8
R8027	E5	B8
R8030	E5	C8
R8035	E5	C8
R8046	D4	E8
R8049	E4	F8
R8050	E4	F8
R8055	E4	F8
R8070	E5	G7
T4019	C4	B4
T4040	C3	D4
T5030	C3	C5
T6040	D3	D7
T6045	D3	E6
T7015	D4	B7
U3070	B3	G3
Y5012	D4	A5
Y5035	D3	D6
Y5046	D2	E5
Y7019	D4	B6

ASSEMBLY A68A4

CIRCUIT NUMBER	SCHEM LOCATION	BOARD LOCATION
C1022	F3	B1
C1023	F3	B1
C1029	F2	B1
C1033	F2	B1
C1044	F2	C1
C1052	F2	C1
C2018	F4	A2
C2023	F3	B2
C2025	F3	B2
C2026	F3	B2

CIRCUIT NUMBER	SCHEM LOCATION	BOARD LOCATION
C2033	F2	B2
C2038	F3	B2
C2052	F4	C2
C2053	F3	C2
L2021	F3	A2
L2031	F2	A2
O1048	F2	C1
Q2056	F3	D2

CIRCUIT NUMBER	SCHEM LOCATION	BOARD LOCATION
R1029	F1	B1
R1038	F2	C1
R1052	F2	D1
R1058	F2	D1
R2036	F4	C2
R2038	F4	B2
R2041	F2	C2
R2042	F2	C2
R2043	F4	C2
R2044	F2	C2



BAND WIDTH	U3070 LOW PIN	D	C	B	A
1 MHz	2	0	0	0	1
100 kHz	3	0	0	1	0
10 kHz	4	0	0	1	1
1 kHz	5	0	1	0	0
100 Hz	6	0	1	0	1
30 Hz XX	7	0	1	1	0

NOTES:
 *Y5035 & Y5046 ARE PART OF A MATCHED SET OF MONOLITHIC FILTERS.
 **Y5012 & Y7019 ARE PART OF A MATCHED SET. (SEE PARTS LIST). THEY ARE MOUNTED ON CIRCUIT BOARD A68A1.

COMPONENT NUMBER EXAMPLE
 Schematic Number
A23 A2 R1234
 Assembly Location Quantity
 Number Number Number (of uses)
 100-1000-0000-0000-0000-0000
 Check Component Values & Power Dissipation vs. Max. Values & See all Board Electrical Parts Lists.

⚡ Static Sensitive Devices See Maintenance Section

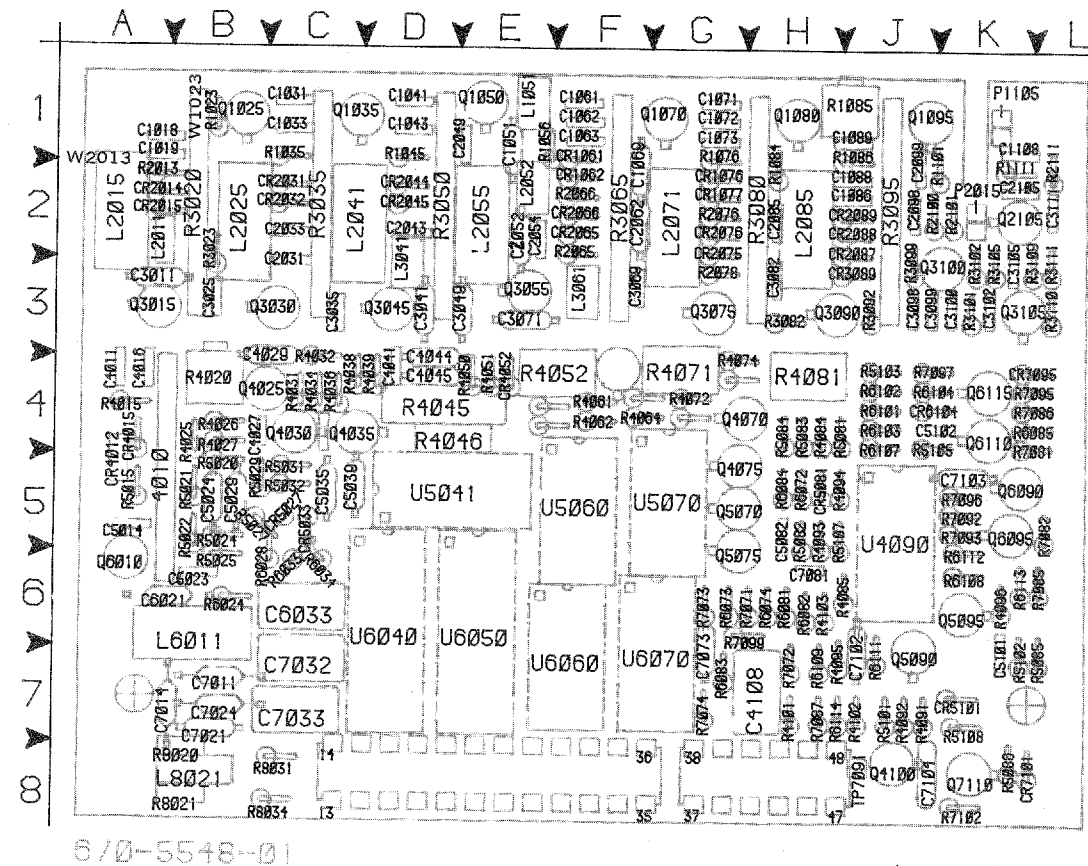
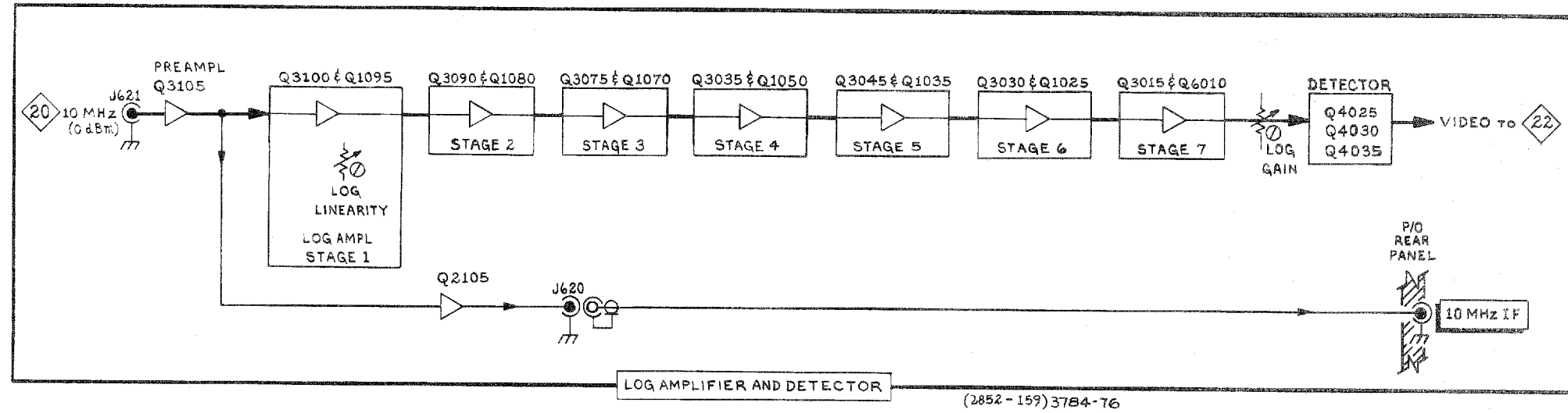
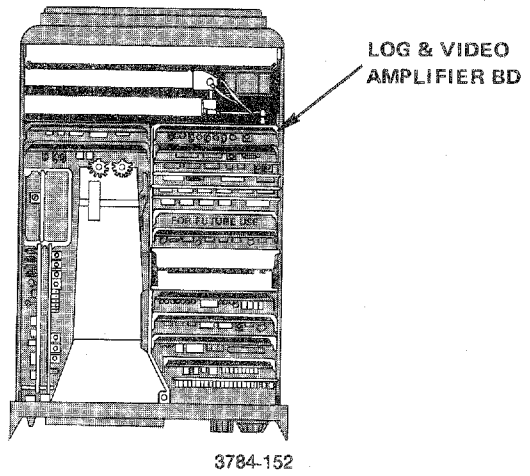
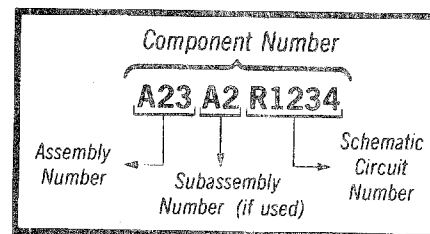


Fig. 8-21. A62—Log & Video Amplifier circuit board.

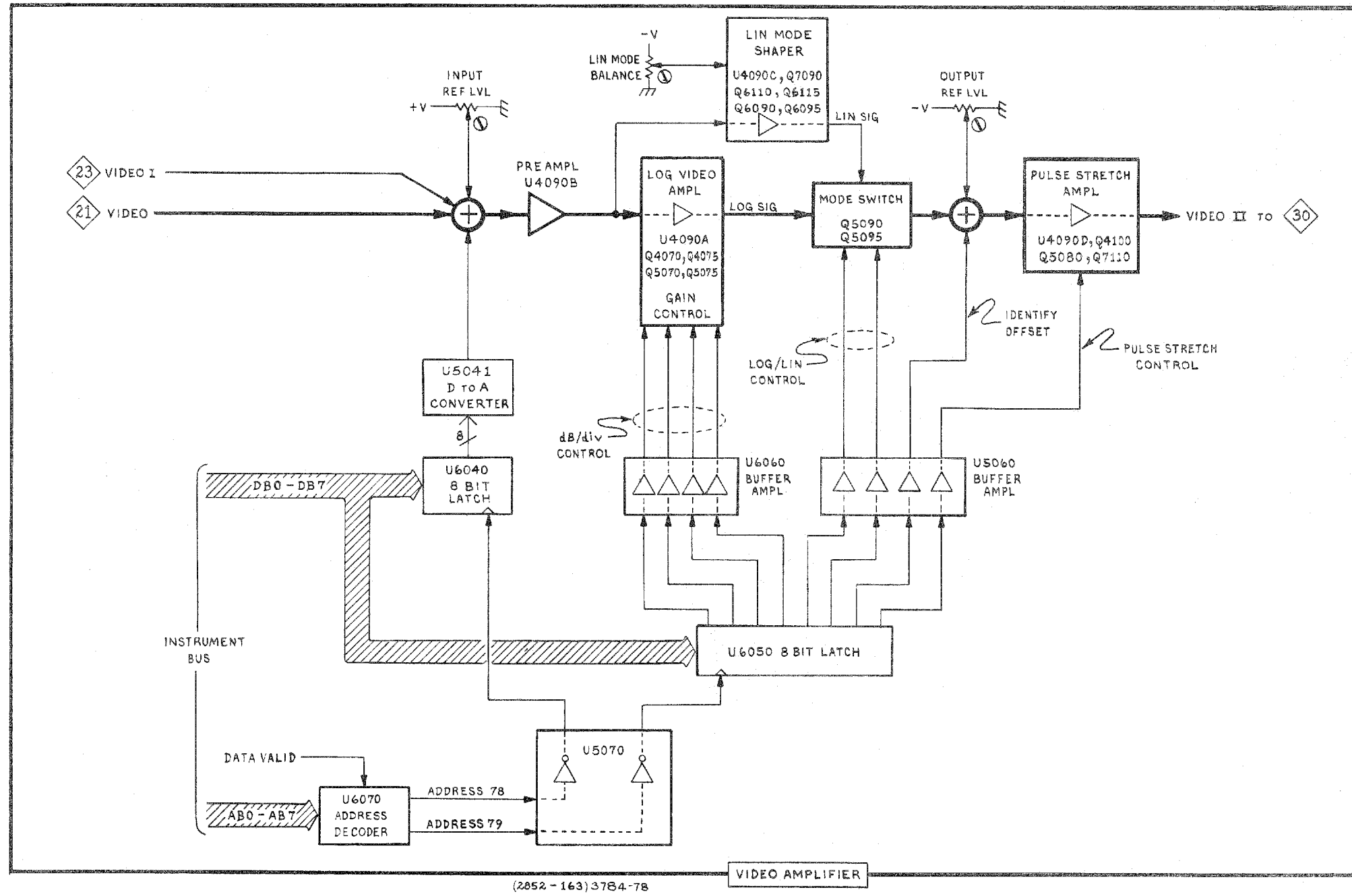


 Static Sensitive Devices
See Maintenance Section

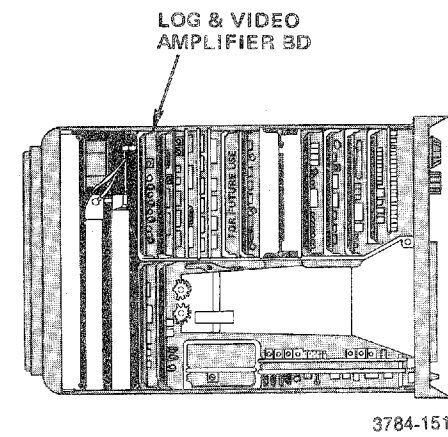
COMPONENT NUMBER EXAMPLE



Chassis-mounted components have no Assembly Number prefix—see end of Replaceable Electrical Parts List.



REFER TO PRECEDING PAGE FOR
CIRCUIT BOARD ILLUSTRATION



3784-151

Video Amplifier DIAGRAM 22

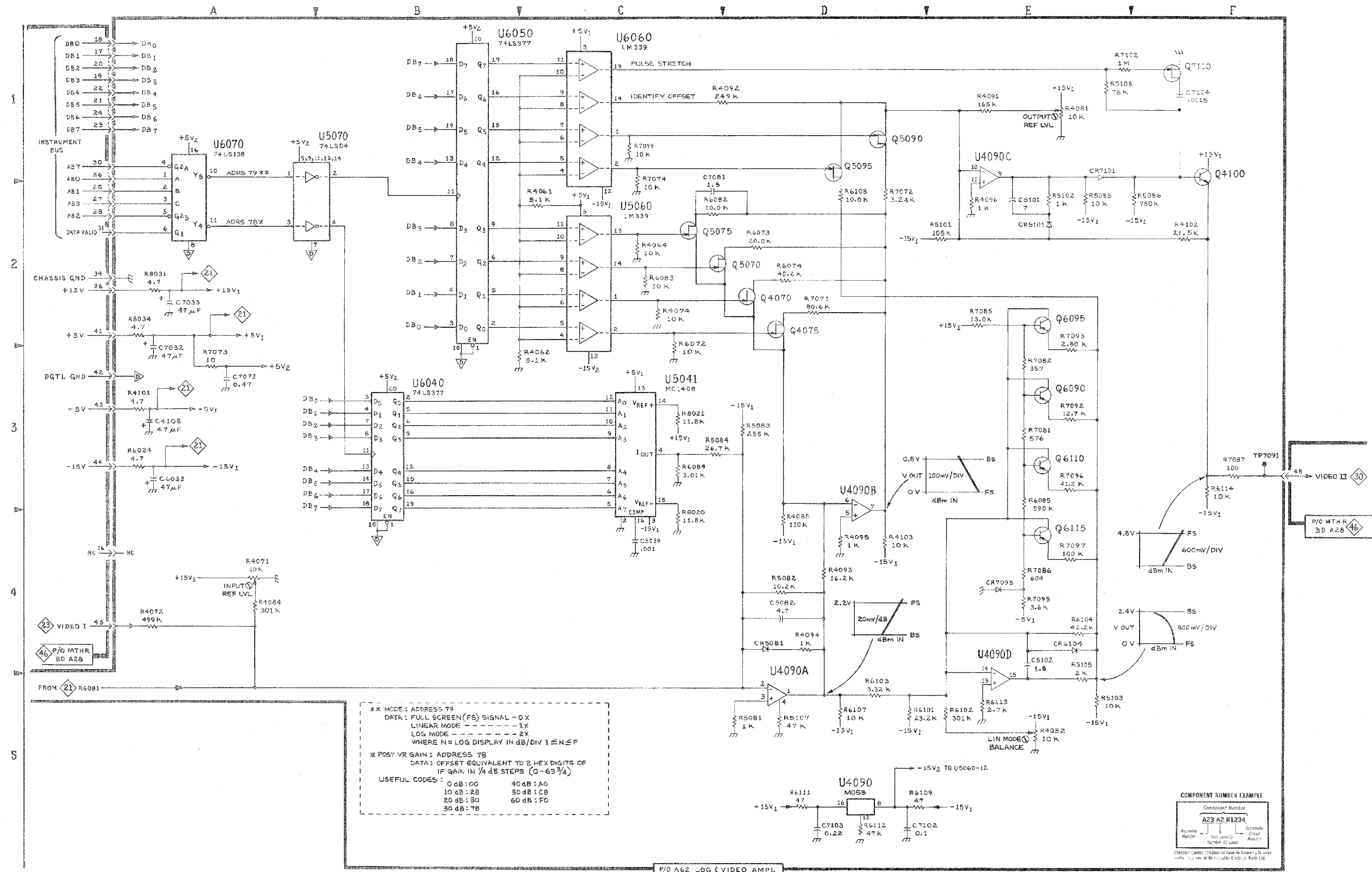
ASSEMBLY A62

CIRCUIT NUMBER	SCHEM LOCATION	BOARD LOCATION
C4108	A3	H7
C5039	C4	C5
C5082	D4	H5
C5101	E2	K6
C6102	E4	J4
C8033	A3	C6
C7032	A3	C7
C7033	A2	C7
C7073	A3	G6
C7081	C2	H5
C7102	D5	J6
C7103	D5	K5
C7104	F1	J9
CR5081	D4	H5
CR5101	E2	K7
CR6104	E4	J4
CR7095	E4	K4
CR7101	E2	K8
Q4070	D2	G4
Q4075	D2	G4
Q4100	F1	J8
Q5070	D2	G5
Q5075	C2	G5
Q5090	D1	J6
Q5095	D1	K6
Q6090	E3	K5
Q6095	E2	K5

Log & Video Amplifier

CIRCUIT NUMBER	SCHEM LOCATION	BOARD LOCATION
Q8110	E3	K4
Q8115	E4	K4
Q7110	F1	K8
R5105	E5	J4
R5107	D5	J5
R5108	E1	K7
R8024	A3	B6
R8072	C3	H5
R8073	D2	H6
R8074	D2	H6
R8082	C2	H6
R8083	C2	H6
R8084	C3	H5
R8085	C4	K4
R8101	D5	J4
R8102	E5	J4
R8103	D5	J4
R8104	E4	J4
R8107	D5	J4
R8108	D2	K5
R8109	D5	H7
R8111	D5	J6
R8112	D5	K5
R8113	E5	K6
R8114	F3	J7
R7071	D2	H8
R7072	D2	H7
R7073	D2	H8
R7074	A3	G8
R7081	C1	G7
R7082	E3	K4
R7085	E2	K6
R5103	E6	J4
R7086	E4	K4
R7087	F3	H7
R7092	E3	K5
R7095	E3	K5
R7096	E4	K4
R7097	E4	J4
R7099	C1	G6
R7102	E1	K8
R8021	C4	B8
R8031	C3	B8
R8034	A2	C8
TP7091	F3	J8
U4090A	D5	J5
U4090B	D3	J5
U4090C	E1	J5
U4090D	E5	J5
U5041	C3	D5
U5060	C2	F5
U5070	A1	G5
U6040	B3	D8
U6050	B1	E6
U6060	C1	F7
U6070	A1	G7

Partial A62 also shown on diagram 21



492/492P (SH 8030000 (UP))

P/O A62 LOG & VIDEO AMPL

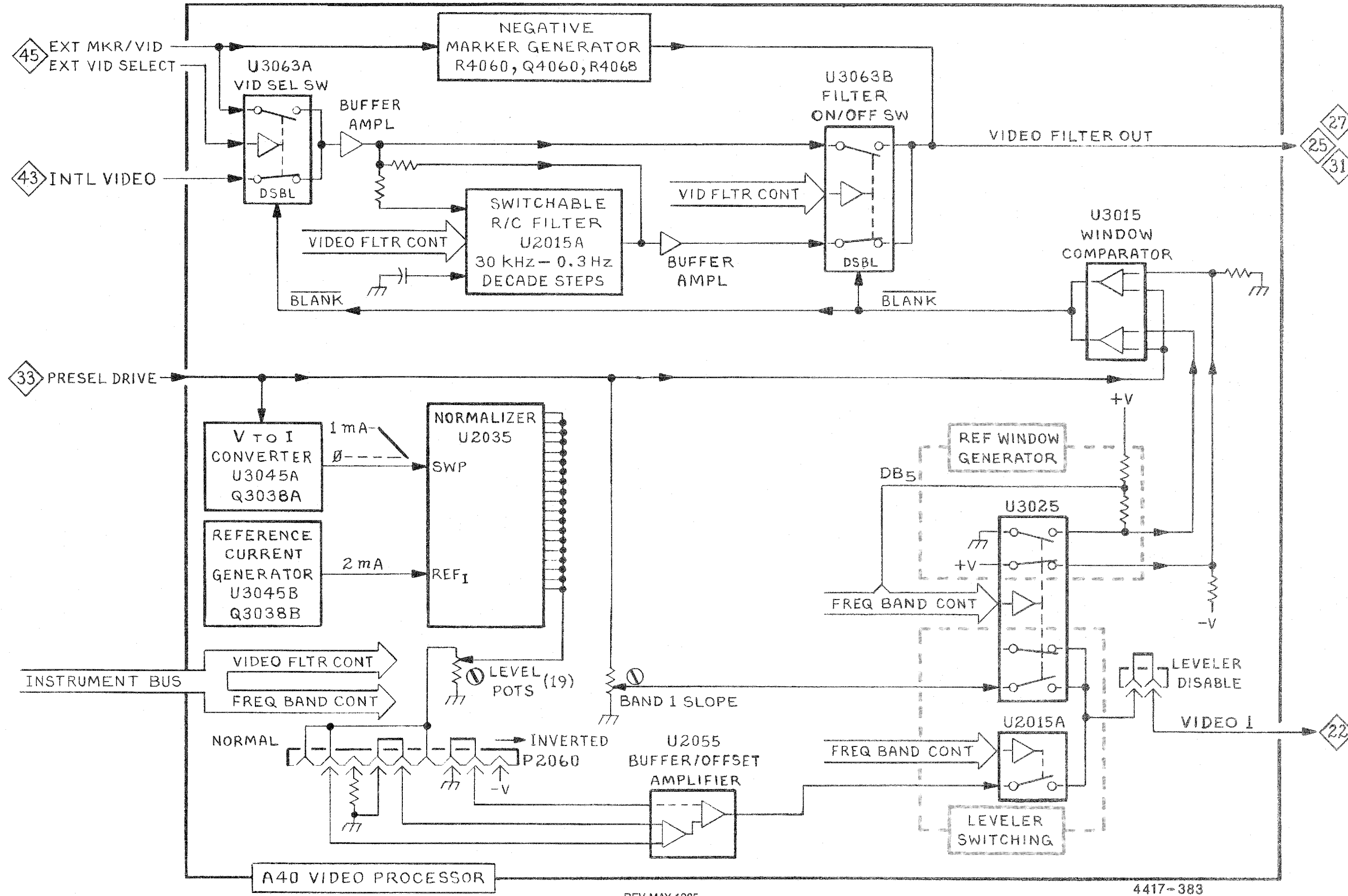
(2852-91) 3784-22

REV JUL 1981

Static Sensitive Devices See Maintenance Section VIDEO AMPLIFIER 22 JAW

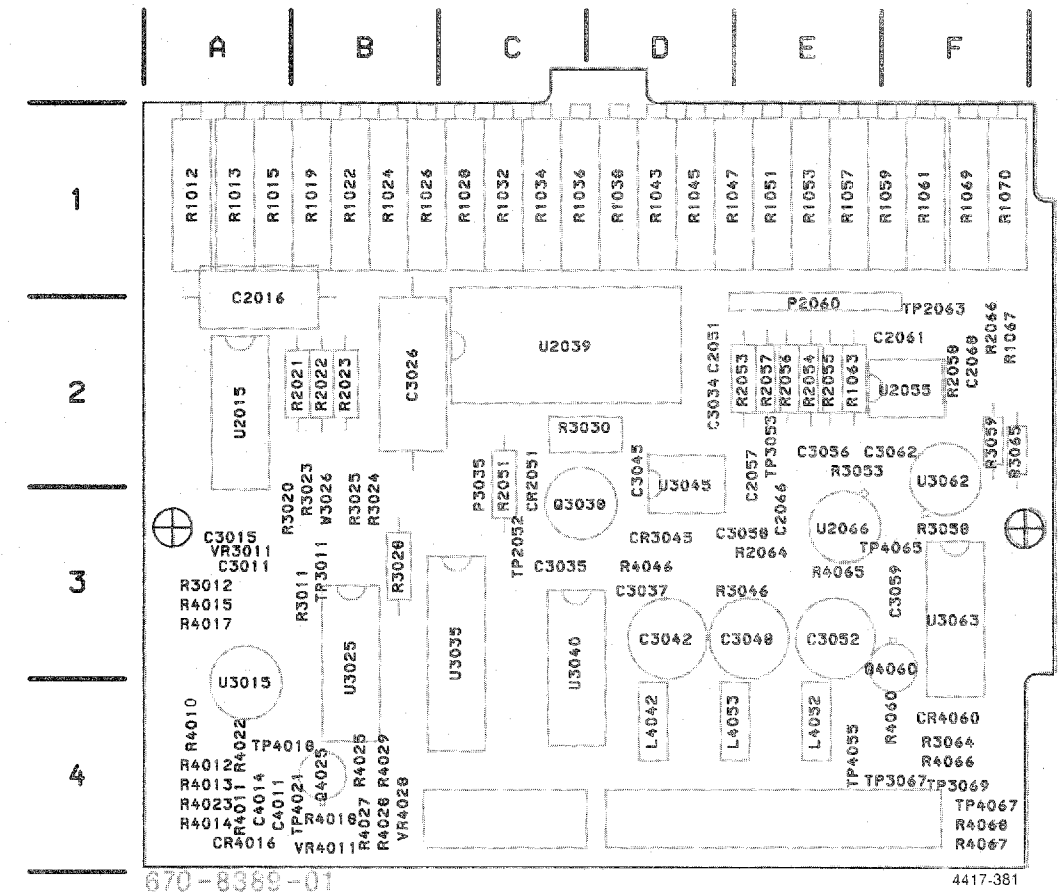
VIDEO AMPLIFIER

22



REV MAY 1985

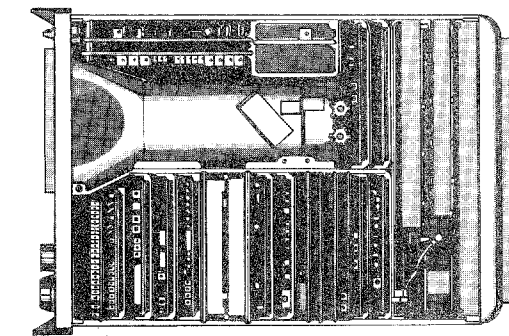
4417-383



670-8389-01

4417-381

Fig. 8-22A. A40—Video Processor & Marker Interface circuit board.



4417-382

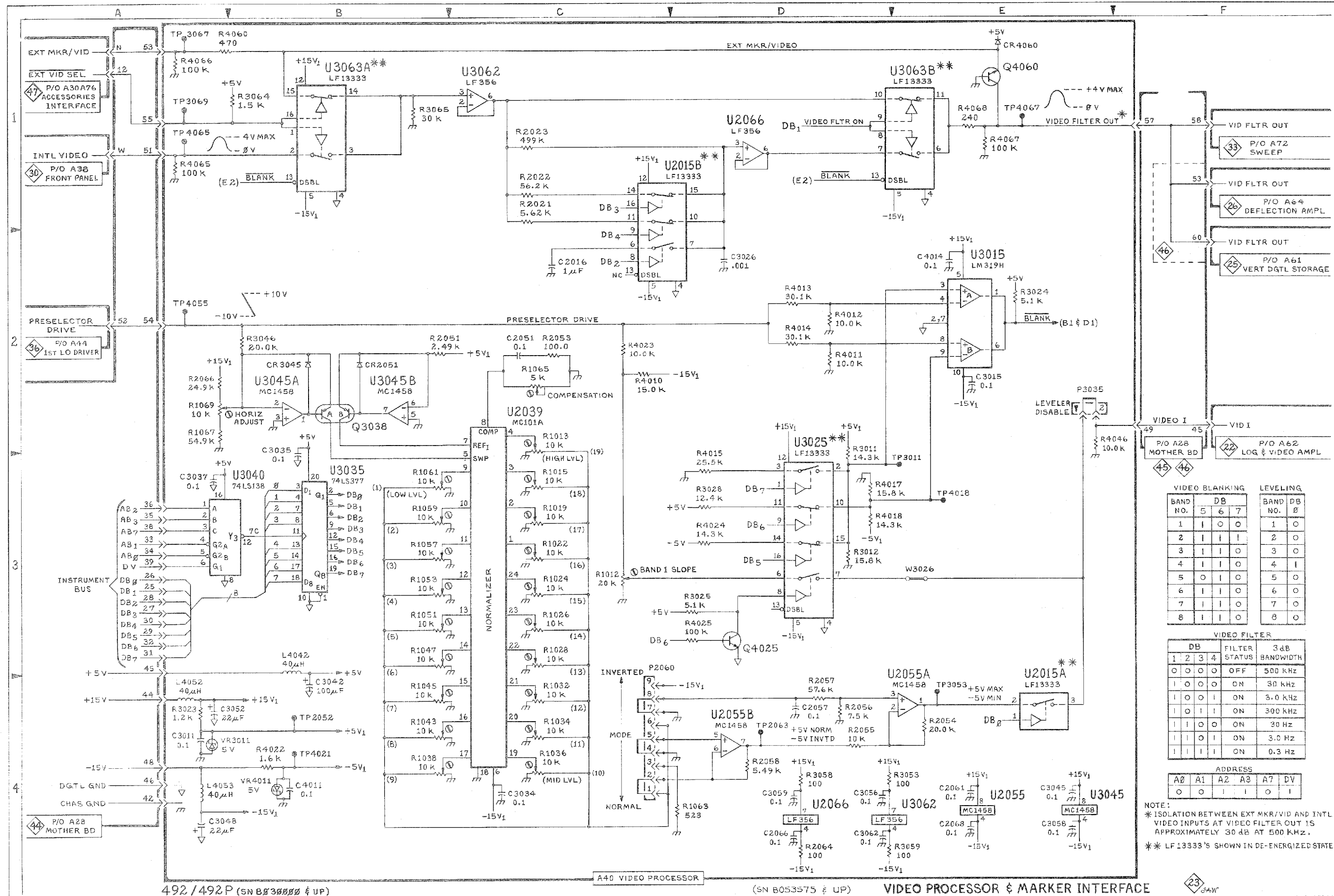
BLOCK DIAG(VIDEO PROCESSOR)
SN B030000 & UP

VIDEO PROCESSOR & MARKER INTERFACE
(SN B053575 & UP)

DIAGRAM 23

ASSEMBLY A40

CIRCUIT NUMBER	SCHEM LOCATION	BOARD LOCATION	CIRCUIT NUMBER	SCHEM LOCATION	BOARD LOCATION	CIRCUIT NUMBER	SCHEM LOCATION	BOARD LOCATION
C2016	C2	A2	R1034	C4	C1	R4022	B4	A4
C2051	C2	D2	R1038	C4	C1	R4023	C3	A4
C2057	D4	E2	R1038	B4	D1	R4024	D3	B4
C2061	E4	F2	R1043	B4	D1	R4025	D3	B4
C2066	D4	E3	R1045	B4	D1	R4046	E2	D3
C2088	E4	F2	R1047	B3	E1	R4060	A1	F4
C3011	A4	A3	R1051	B3	E1	R4065	A1	E3
C3015	E2	A3	R1053	B3	E1	R4066	A1	F4
C3028	D2	B2	R1057	B3	E1	R4067	E1	F4
C3034	C4	D2	R1059	B3	F1	R4068	E1	F4
C3035	B3	C3	R1081	B3	F1			
C3037	A3	D3	R1083	D4	E2	TP2052	B4	D2
C3042	B4	D3	R1085	C2	F1	TP2063	D4	F2
C3045	E4	D2	R1067	A2	F2	TP3011	E2	B3
C3048	B4	E3	R1069	A2	F1	TP3053	E4	E2
C3052	A4	E3	R2021	C1	B2	TP3067	A1	F4
TP3066	D4	E2	R2022	C1	B2	TP3069	A1	F4
C3068	E4	E3	R2023	C1	B2	TP4018	E2	A4
C3059	D4	F3	R2051	B2	C3	TP4021	B4	B4
C3082	D4	F2	R2053	C2	E2	TP4055	A2	E4
C4011	B4	A4	R2054	E4	E2	TP4065	A1	F3
C4014	E2	A4	R2055	D4	E2	TP4067	E1	F4
			R2056	D4	E2			
			R2057	D4	E2	U2015A	E4	A2
CR2051	B2	C2	R2058	D4	E2	U2015B	D1	A2
CR3045	B2	D3	R2064	D4	E3	U2039	C2	D2
CR4060	E1	F4	R2066	A2	F2	U2055A	E4	F2
			R3011	D3	B3	U2055B	D4	F2
L4042	B3	D4	R3012	D3	A3	U2066	D1	E3
L4052	A4	E4	R3023	A4	B3	U2066	D4	E3
L4053	B4	E4	R3024	E2	B2	U3011	A4	B4
			R3025	D3	B3	U3015	E2	A3
P2050	C4	E1	R3026	E2	B3	U3025	D3	B3
P3035	E2	C3	R3028	D3	B3	U3035	B3	C3
			R3046	B2	E3	U3040	B3	C3
Q3038	B2	D2	R3053	E4	E2	U3045A	B2	D2
Q4025	D3	B4	R3058	D4	F3	U3045B	B2	D2
Q4060	E1	F3	R3059	D4	F2	U3045	E4	D2
			R3064	B1	F4	U3062	C1	F2
R1012	C3	A1	R3065	B1	F2	U3062	E4	F2
R1013	C2	A1	R4011	D2	A4	U3063A	B1	F3
R1015	C3	A1	R4012	D2	A4	U3063B	E1	F3
R1019	C3	B1	R4013	D2	A4			
R1022	C3	B1	R4014	D2	A4	VR4011	B4	B4
R1024	C3	B1	R4015	D3	A3			
R1026	C3	B1	R4017	D3	A3			
R1028	C3	C1	R4018	D3	B4			
R1032	C4	C1						



492 / 492P (SN B053575 & UP)

3784-179
REV NOV 1983

(SN B053575 & UP)

VIDEO PROCESSOR & MARKER INTERFACE

23

VIDEO BLANKING				LEVELING			
BAND NO.	5	6	7	BAND NO.	5	6	7
1	I	I	O	1	I	O	
2	I	I	I	2	O	I	
3	I	I	I	3	O	I	
4	I	I	I	4	I	I	
5	O	I	O	5	O	I	
6	I	I	O	6	O	I	
7	I	I	O	7	O	I	
8	I	I	O	8	O	I	

DB	1	2	3	4	FILTER STATUS	3dB BANDWIDTH
O	O	O	O	OFF	500 KHZ	
I	O	O	O	ON	30 KHZ	
I	O	I	O	ON	30 KHZ	
I	O	I	I	ON	300 KHZ	
I	I	O	O	ON	30 KHZ	
I	I	I	O	ON	30 KHZ	
I	I	I	I	ON	0.3 KHZ	

ADDRESS							
A0	A1	A2	A3	A7	DV		
O	O	I	I	I	O		

NOTE:
* ISOLATION BETWEEN EXT MKR/VID AND INTL VIDEO INPUTS AT VIDEO FILTER OUT IS APPROXIMATELY 30 DB AT 500 KHZ.
** LF 13333'S SHOWN IN DE-ENERGIZED STATE

VIDEO PROCESSOR (SN B053575 & UP)

23

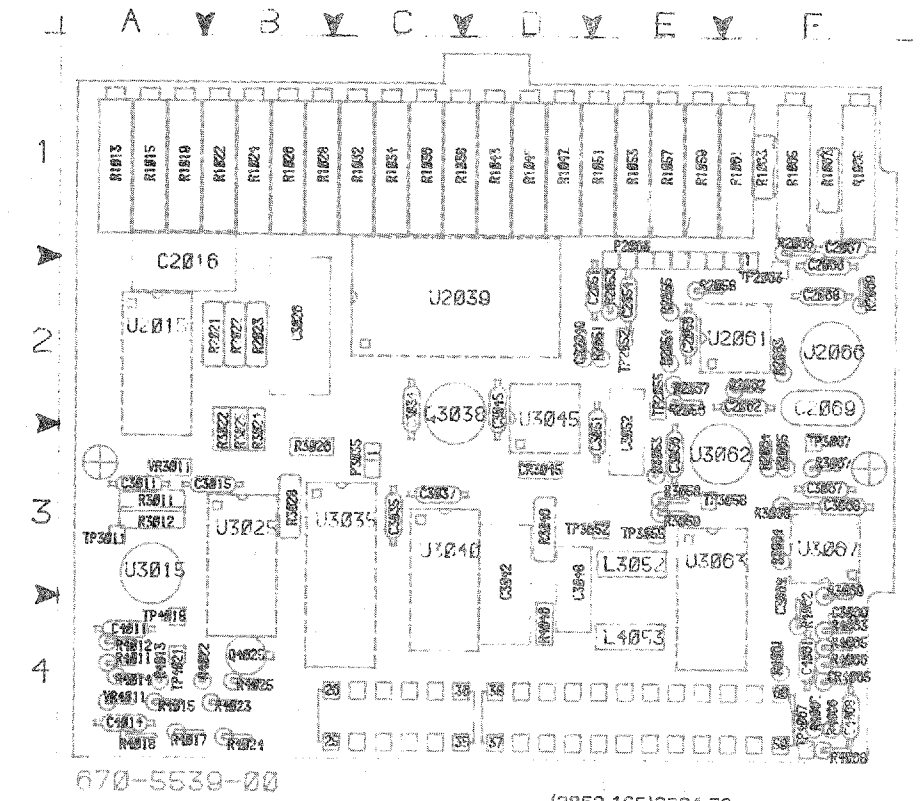
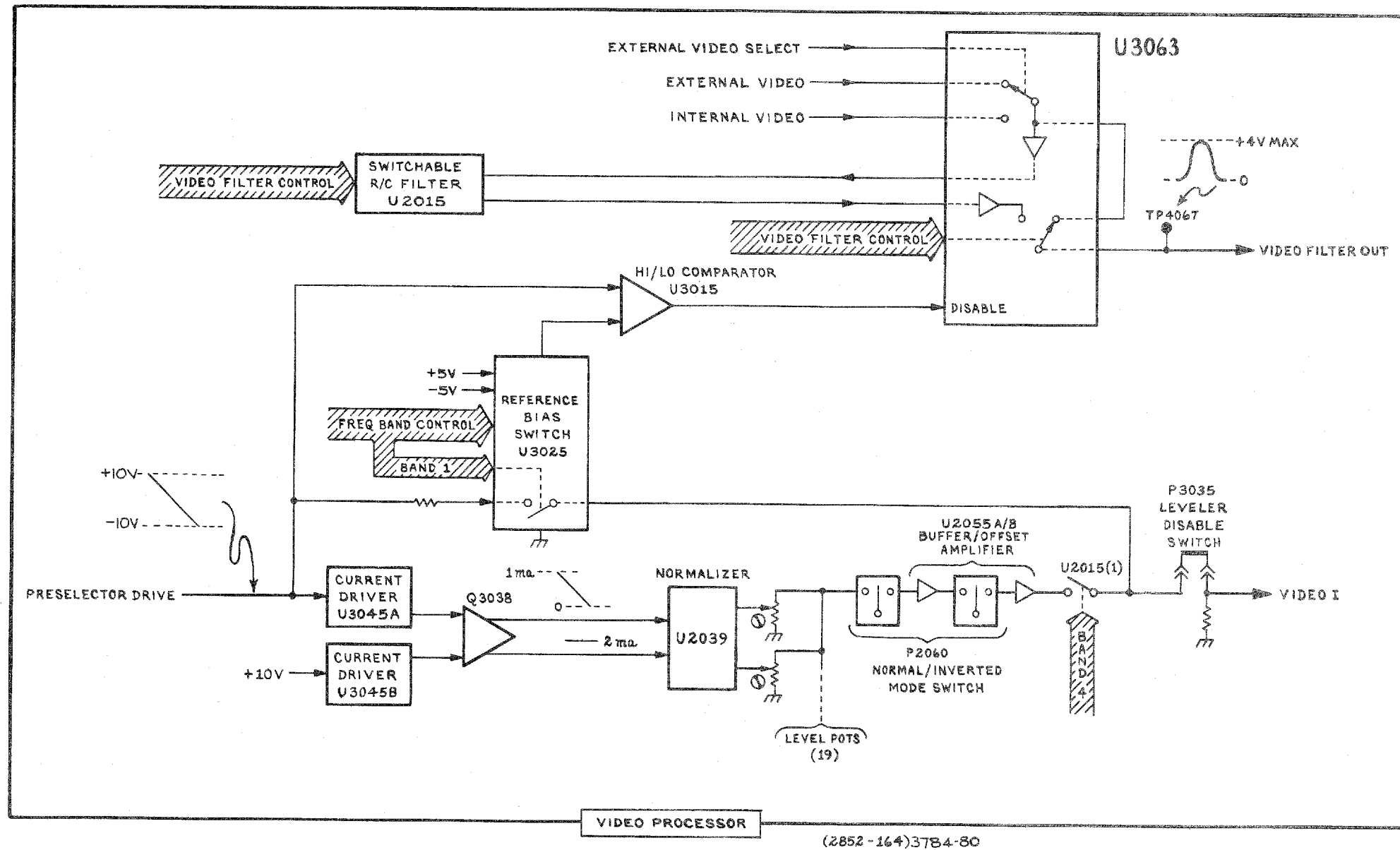
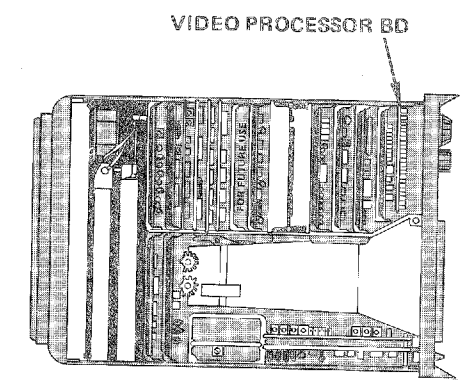
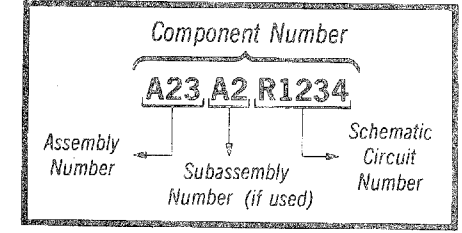


Fig. 8-22B. A4C—Video Processor circuit board (SN B030000 — B053574).



 Static Sensitive Devices
See Maintenance Section

COMPONENT NUMBER EXAMPLE



Chassis-mounted components have no Assembly Number prefix—see end of Replaceable Electrical Parts List.

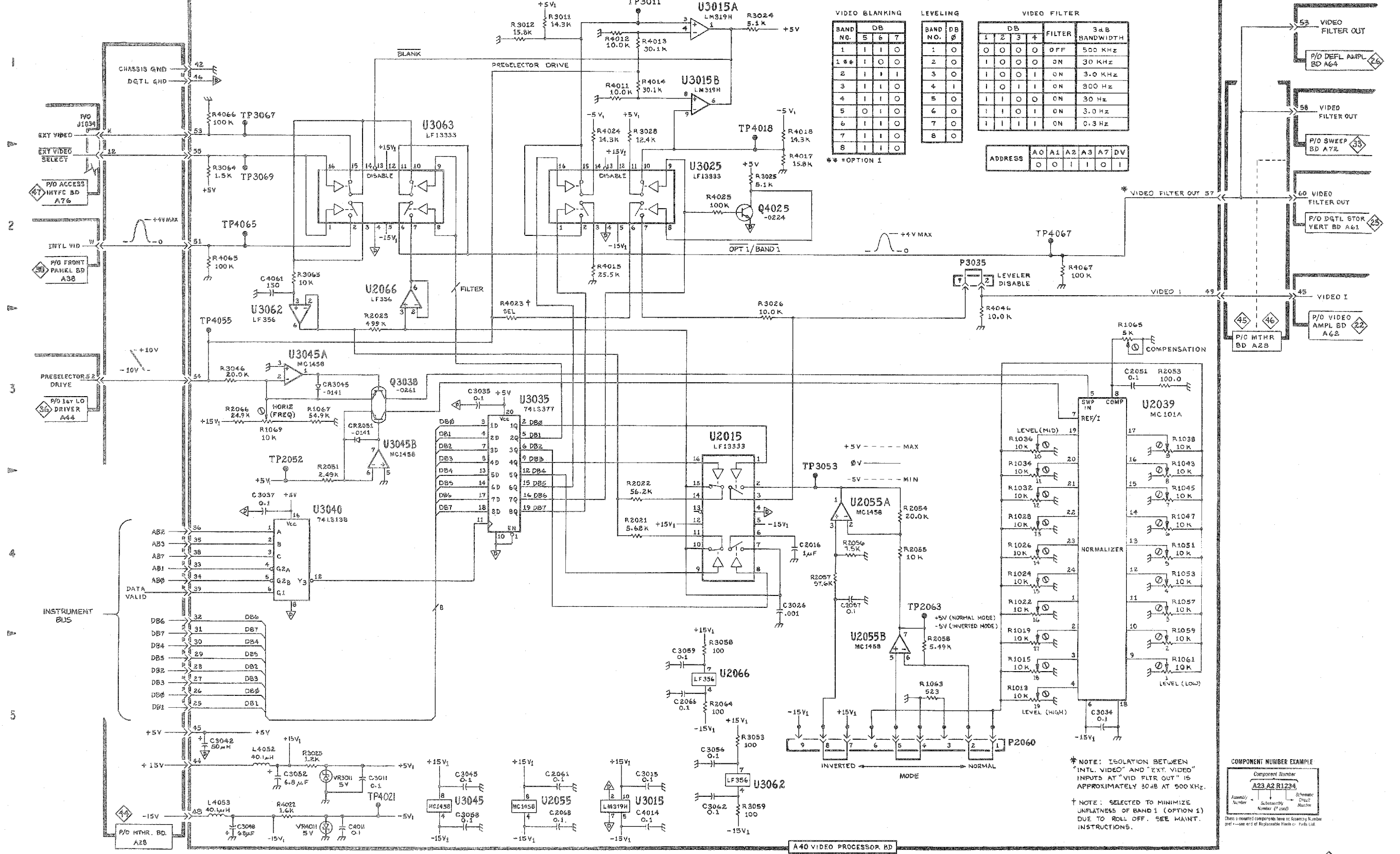
Video Processor DIAGRAM 23

(SN B030000 - B05374)

ASSEMBLY A40

Video Processor

CIRCUIT NUMBER	SCHEM LOCATION	BOARD LOCATION	CIRCUIT NUMBER	SCHEM LOCATION	BOARD LOCATION	CIRCUIT NUMBER	SCHEM LOCATION	BOARD LOCATION	CIRCUIT NUMBER	SCHEM LOCATION	BOARD LOCATION
C2016	D4	A2	Q4025	C2	B4	R2058	D4	F2	TP2063	D4	F1
C2051	E3	E2				R2064	C5	F2	TP3011	C1	A3
C2057	D4	E2	R1013	E5	A1	R2066	A3	F1	TP3053	D3	E3
C2061	B5	F2	R1015	E5	A1	R3011	B1	A3	TP3067	A1	F3
C2066	C5	F2	R1019	E4	A1	R3012	B1	A3	TP3069	A2	F3
C2068	B5	F1	R1022	E4	B1	R3023	A5	B2	TP4018	C1	A4
C3011	A5	A3	R1024	E4	B1	R3024	C1	B2	TP4021	A5	A4
C3015	C5	B3	R1026	E4	B1	R3025	C2	B2	TP4055	A2	E4
C3024	E5	C2	R1028	E4	B1	R3026	C2	B3	TP4065	A2	F4
C3026	C4	B2	R1032	E4	C1	R3028	C1	B3	TP4067	E2	F4
C3035	B3	C3	R1034	E3	C1	R3046	A3	D3			
C3037	A4	C3	R1036	E3	C1	R3053	C5	E3	U2015	C3	A2
C3042	A5	D3	R1038	E3	C1	R3058	C5	F3	U2039	E3	C2
C3045	B5	D2	R1043	E3	D1	R3059	C5	F3	U2055	B5	F2
C3048	A5	D3	R1045	E4	D1	R3064	A2	F3	U2055A	D4	F2
C3052	A5	E3	R1047	E4	D1	R3065	A2	F3	U2055B	D4	F2
C3056	C5	E3	R1051	F4	D1	R4011	C1	A4	U2066	B2	F2
C3058	B5	F3	R1053	E4	E1	R4012	C1	A4	U2066	C5	F2
C3059	C5	F3	R1057	F4	E1	R4013	C1	A4	U3015	C5	A3
C3062	C5	F3	R1059	F4	E1	R4014	C1	A4	U3015A	C1	A3
C4011	A5	A4	R1061	E5	F1	R4015	B2	A4	U3015B	C1	A3
C4014	C5	A4	R1063	D5	F1	R4017	C2	A4	U3025	C2	B3
C4061	A2	F4	R1065	E3	F1	R4018	C1	A4	U3035	B3	B3
			R1067	A3	F1	R4022	A5	A4	U3040	A4	C3
CR2051	A3	D2	R1069	A3	E1	R4023	B2	B4	U3045	B5	D2
CR3045	A3	D3	R2021	C4	B2	R4023	B2	B4	U3045A	A3	D2
			R2022	C4	B2	R4024	C1	B4	U3045B	A3	D2
L4052	A5	E3	R2023	A3	B2	R4025	C2	B4	U3062	A2	F3
L4053	A5	E4	R2051	A3	E2	R4046	D2	D4	U3062	C5	F3
			R2053	E3	E2	R4085	A2	F4	U3063	B1	F3
P2060	D5	E1	R2054	D4	E2	R4086	A1	F4	VR3011	A5	A3
P3035	D2	B3	R2056	D4	E2	R4067	E2	F4	VR4011	A5	A4
			R2056	D4	F2						
Q3038	A3	C2	R2057	D4	F2	TP2052	A4	E2			



492/492P (SN B030000 & UP)

(2652-92) 3784-23 REV. NOV 1983

Static Sensitive Devices See Maintenance Section

VIDEO PROCESSOR 23 (SN B030000 - B05374)

VIDEO PROCESSOR (SN B030000 - B05374) 23

COMPONENT NUMBER EXAMPLE

Component Number	
A23 A2 R1234	
A23	Substrate Number (if used)
A2	Schematic Sheet
R1234	Component Number

There is reserved component base in Quantity & under part - see end of Maintenance Section - Parts List.

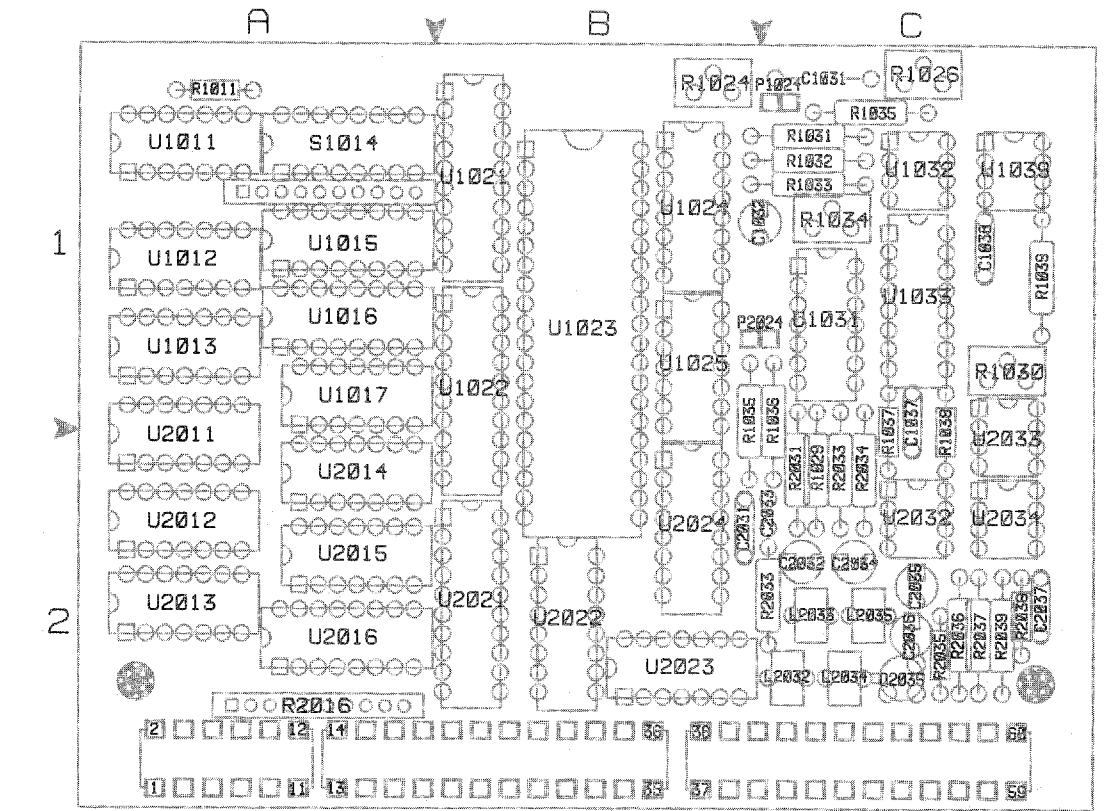
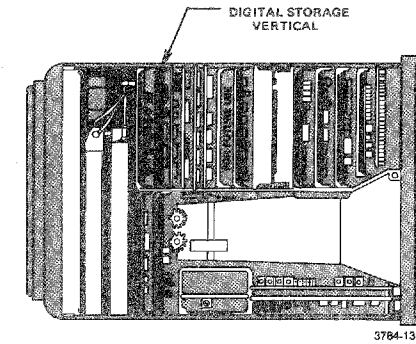
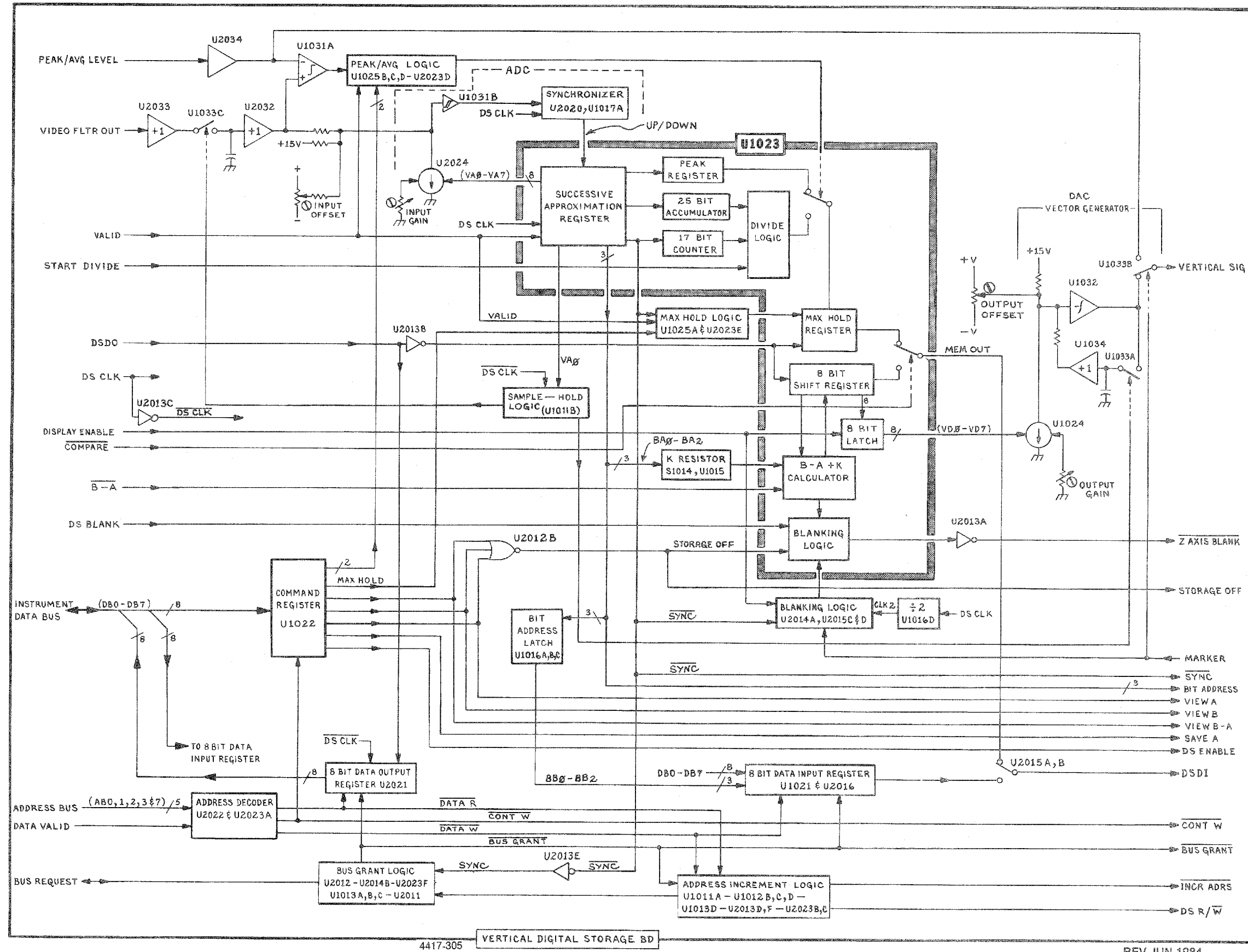
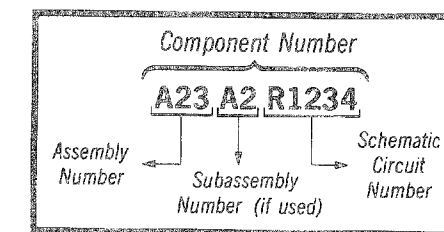


Fig. 8-23A. A61—Digital Storage Vertical circuit board (SN B030000 - B043114). (2852-171)3784-81

Static Sensitive Devices
See Maintenance Section

COMPONENT NUMBER EXAMPLE



Chassis-mounted components have no Assembly Number prefix—see end of Replaceable Electrical Parts List.

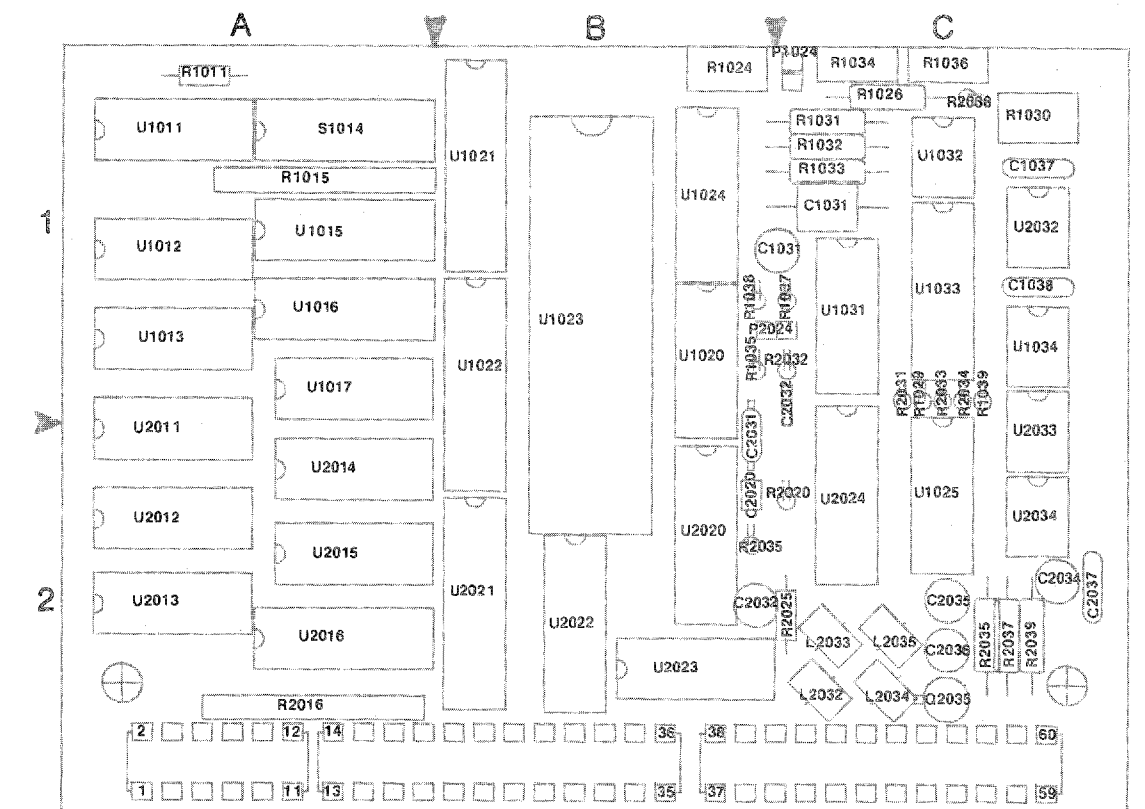


Fig. 8-23B. A61—Digital Storage Vertical circuit board (SN B043115 & UP).

Digital Storage, Vertical (Option 02) Diagram

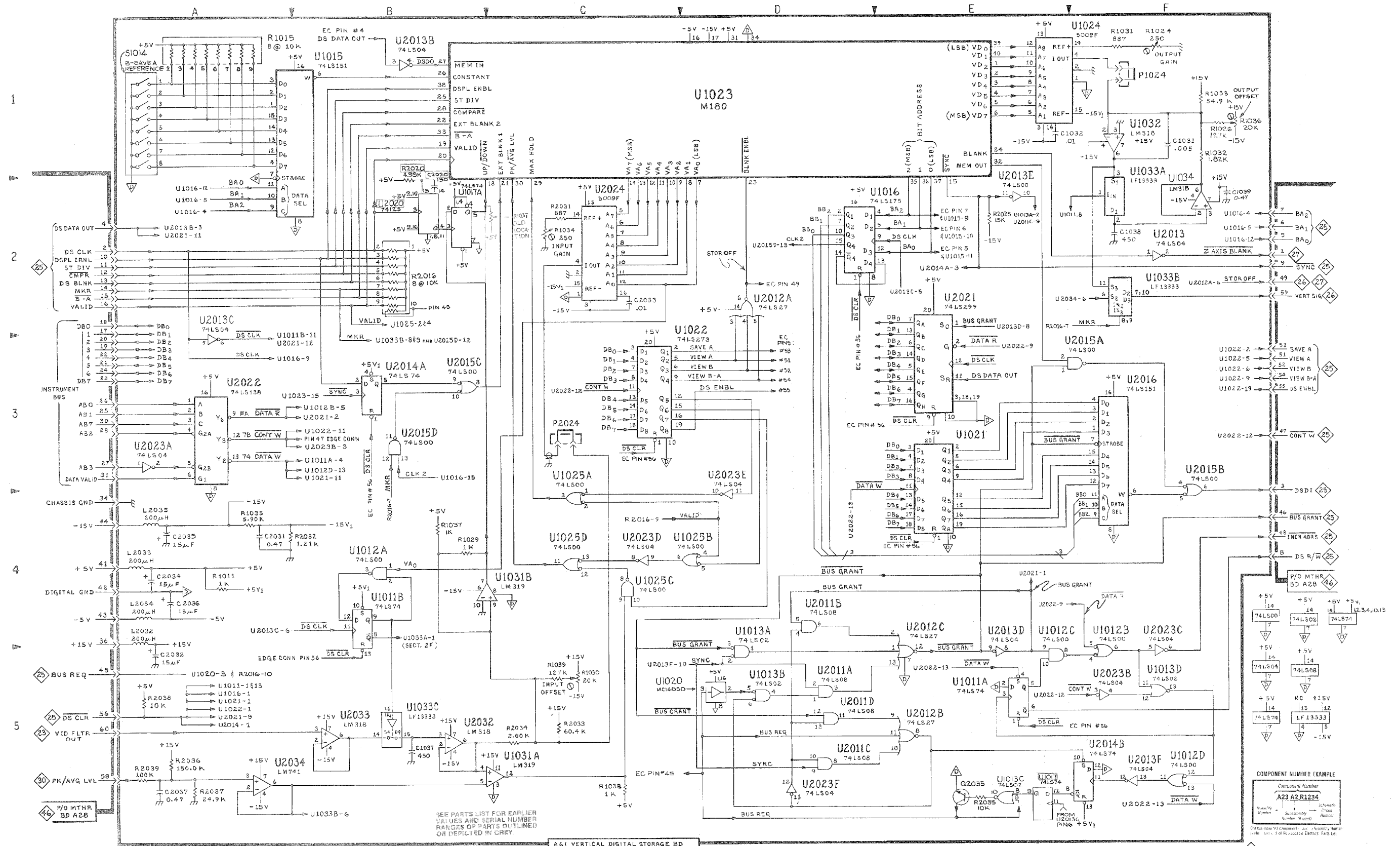
24

ASSEMBLY A61 (SN B043115 & UP)

CIRCUIT NUMBER	SCHEM LOCATION	BOARD LOCATION	CIRCUIT NUMBER	SCHEM LOCATION	BOARD LOCATION	CIRCUIT NUMBER	SCHEM LOCATION	BOARD LOCATION
C1031	F1	C1	R2016	B2	A2	U1033A	F2	C1
C1032	E1	C1	R2031	A2	C2	U1033B	F2	C1
C1037	B5	C2	R2032	A4	B1	U1033C	B5	C1
C1038	F2	C1	R2033	C5	C2	U1034	F2	C1
C1038†	F2	C2	R2034	C5	C2	U2011A	D5	A2
C2020*	B2	B2	R2035	E5	C2	U2011B	D4	A2
C2031	A4	C2	R2036	A5	C2	U2011C	D5	A2
C2032	A5	C2	R2037	A5	C2	U2011D	D5	A2
C2033	C2	C2	R2038	A5	C2	U2012A	D2	A2
C2034	A4	C2	R2039	A5	C2	U2012B	E5	A2
C2035	A4	C2				U2012C	E5	A2
C2036	A4	C2	S1014	A1	A1	U2013	F2	A2
C2037	A5	C2				U2013B	B1	A2
			U1011A	E5	A1	U2013C	A3	A2
			U1011B	B4	A1	U2013D	E5	A2
L2032	A4	C2	U1012A	B4	A1	U2013E	E2	A2
L2033	A4	C2	U1012B	F5	A1	U2013F	F5	A2
L2034	A4	C2	U1012C	E5	A1	U2014A	B3	A2
L2035	A4	C2	U1012D	F5	A1	U2014B	F5	A2
			U1013A	D5	A1	U2015A	F3	A2
P1024	F1	C1	U1013B	D5	A1	U2015B	F4	A2
P2024	C3	C1	U1013C	E5	A1	U2015C	B3	A2
			U1013D	F5	A1	U2015D	B3	A2
Q2035	E5	C2	U1013E	F5	A1	U2016	F3	A2
			U1016	D2	A1	U2020*	B2	B2
R1011	A4	A1	U1017	F5	A1	U2021	E2	B2
R1015	A1	A1	U1020*	D5	B1	U2022	A3	B2
R1026	F1	C1	U1021	E3	B1	U2023A	A3	B2
R1024	F1	B1	U1022	C3	B1	U2023B	F5	B2
R1029	B4	C2	U1023	D1	B1	U2023C	F5	B2
R1036	F1	C1	U1024	E1	B1	U2023D	C4	B2
R1030	C5	C1	U1025	B2	B1	U2023E	D4	B2
R1031	F1	C1	U1025A	C4	B1	U2023F	D5	B2
R1032	F1	C1	U1025C	C4	B1	U2024	C2	B2
R1034	C2	C1	U1025D	C4	B1	U2032	B5	C2
R1035	A4	C2	U1025E	D4	B1	U2033	B5	C2
R1036	A4	NA	U1031A	C5	C1	U2034	A5	C2
R1037	B4	C1	U1031B	B4	C1			
R1038	C5	C2	U1032	F1	C1			
R1039	C5	C1						

*See Parts List for serial number ranges.

† Located on back of board.



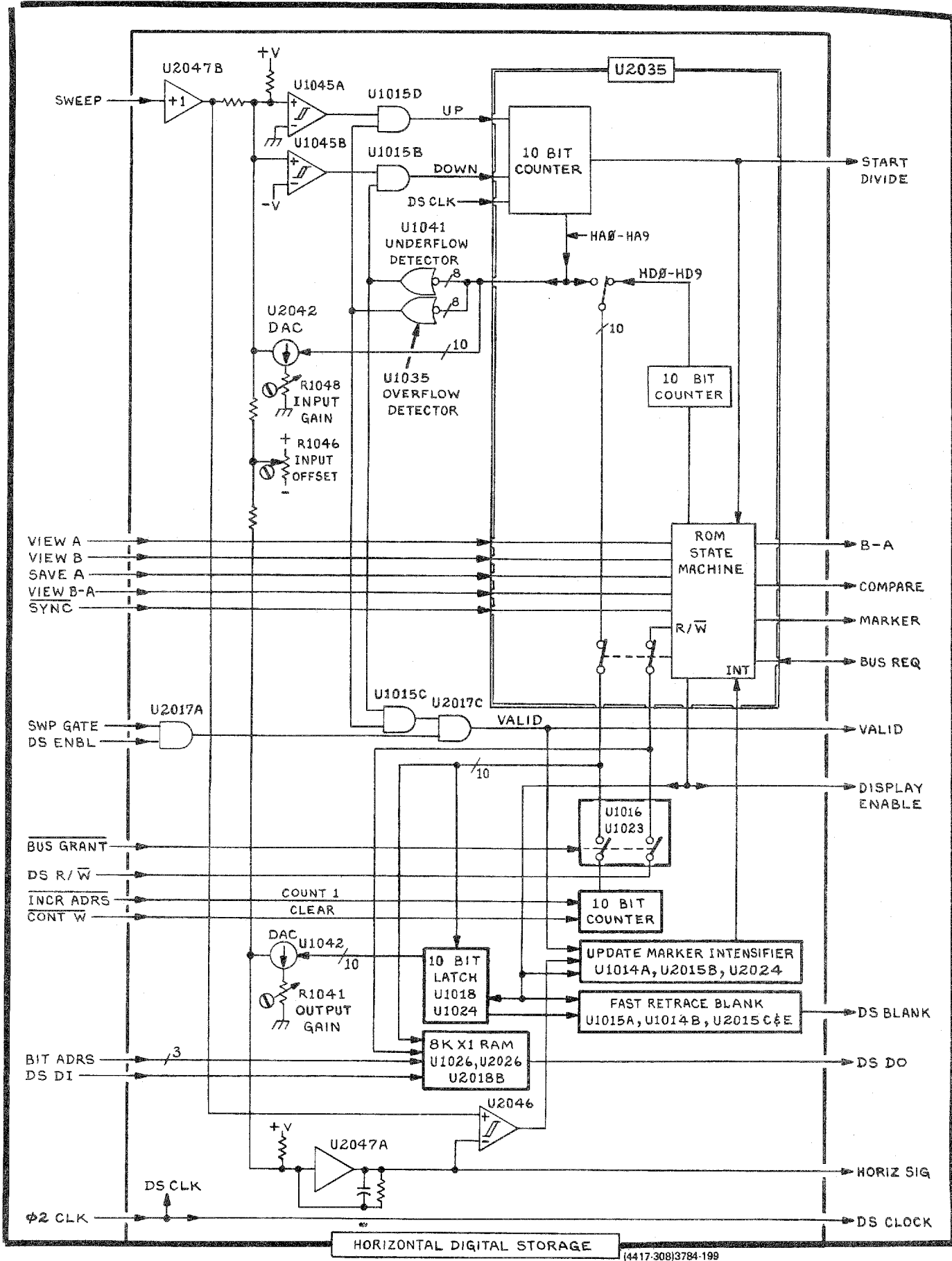
492/492P (SN B030000 & UP)

A61 VERTICAL DIGITAL STORAGE BD

(2852-98)3764-24 REV. MAR. 1965

DIGITAL STORAGE, VERTICAL (OPTION 02)

DIGITAL STORAGE VERTICAL 24



(4417-308)3784-199

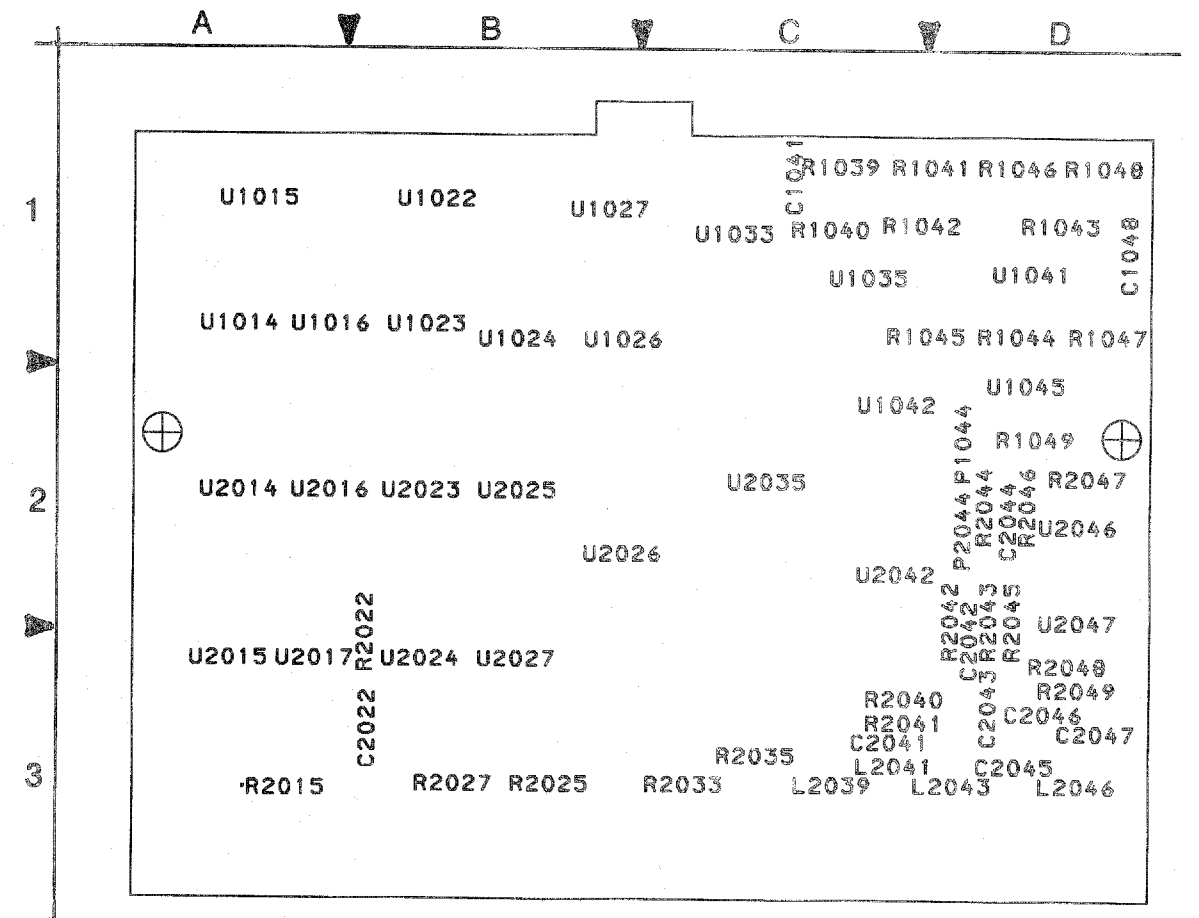
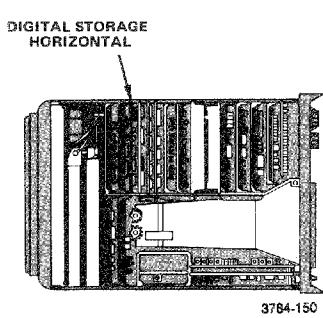
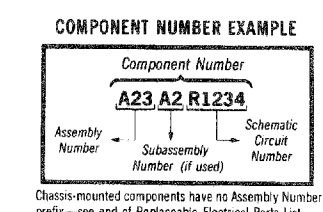


Fig. 8-24A. AG0-Digital Storage Horizontal circuit board(SN B043115 & UP).

⊕ Static Sensitive Devices
See Maintenance Section



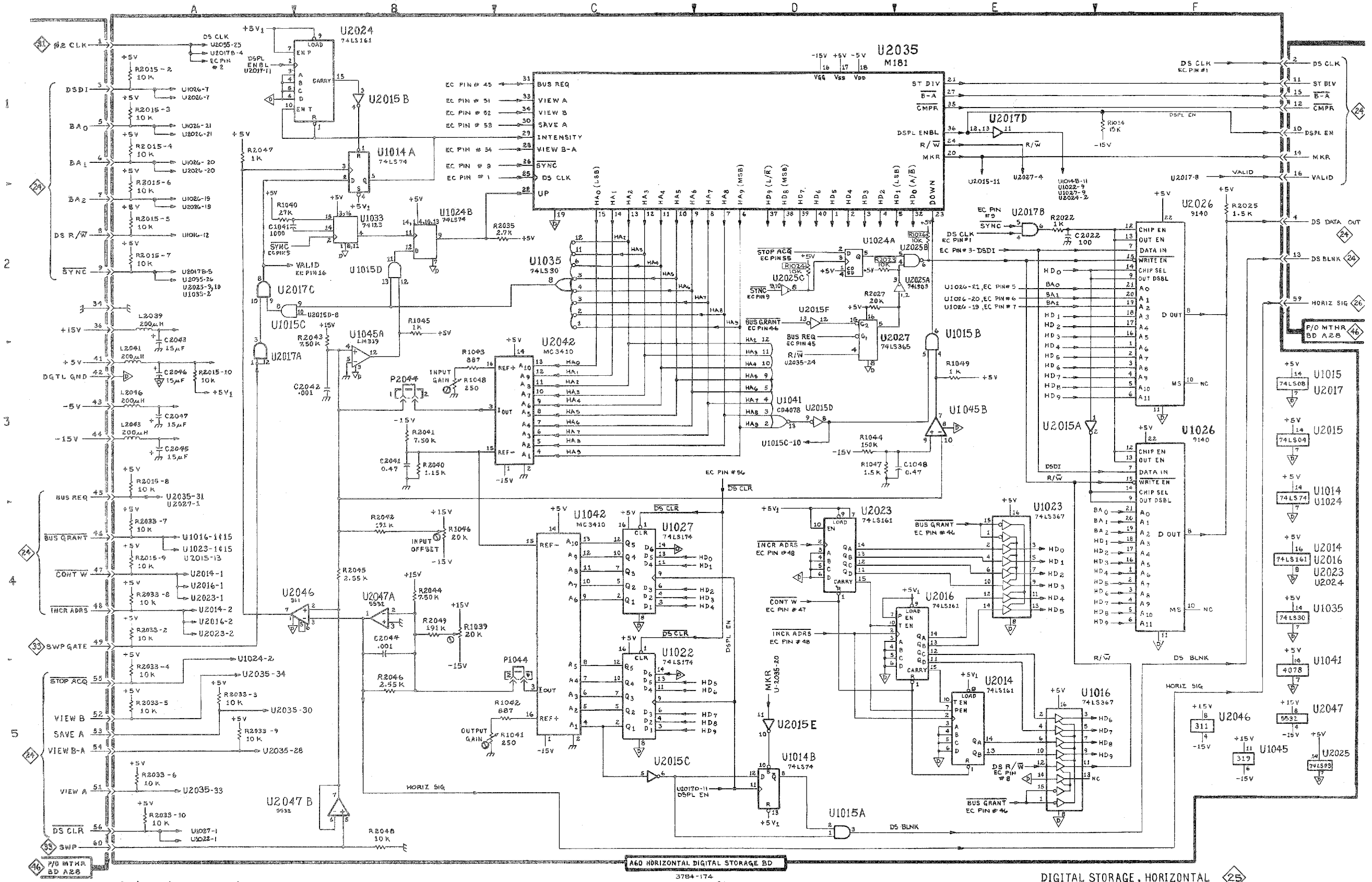
Digital Storage, Horizontal (Option 02) DIAGRAM
(SN B043115 & up)

25

ASSEMBLY A60

CIRCUIT NUMBER	SCHEMATIC LOCATION	BOARD LOCATION	CIRCUIT NUMBER	SCHEMATIC LOCATION	BOARD LOCATION
C1041	A2	C1	U1022	C4	B1
C1048	E2	B3	U1023	E4	B1
C2022	E1	B3	U1024A	D2	B1
C2041	A2	D3	U1024B	F2	B1
C2042	B3	D3	U1026	B3	B1
C2043	A3	D3	U1027	C4	C1
C2044	B5	D2	U1033	B2	C1
C2045	A3	D3	U1035	C2	D1
C2046	A3	D3	U1041	D3	D1
C2047	A1	D3	U1042	C4	C1
			U1045A	B3	D1
			U1045B	E3	D1
L2039	A2	C3	U2014	E5	A2
L2041	A3	C3	U2015A	E3	A3
L2043	A3	C3	U2015B	B1	A3
L2046	A3	D3	U2015C	C5	A3
			U2015D	D3	A3
P1044	B5	D2	U2015E	D5	A3
P2044	B3	D2	U2015F	D3	A3
			U2016	E4	A2
R1039	B4	C1	U2017A	A3	A3
R1040	A2	C1	U2017B	E2	A3
R1041	B5	C1	U2017C	A2	A3
R1042	B5	C1	U2017D	E1	A3
R1043	B3	D1	U2024	B1	B3
R1044	D3	D1	U2025A	D2	B3
R1045	B2	D1	U2025B	D2	B3
R1046	B4	D1	U2025C	D2	B3
R1047	D3	D2	U2026	F2	B2
R1048	B3	D1	U2027	D3	B3
R1049	E3	B2	U2035	D1	C2
R2015	A3	A3	U2042	C3	C2
R2022	E2	B2	U2046	A4	C2
R2025	F2	B3	U2047A	B4	D2
R2027	D3	B3	U2047B	A5	D2
R2033	A4	C3			
R2035	C2	C3			
R2040	B3	D3			
R2041	B3	D3			
R2042	B4	D3			
R2043	B3	D3			
R2044	B4	D3			
R2045	B4	D3			
R2046	B5	D2			
R2047	A1	D2			
R2048	B3	D3			
R2049	B5	D3			
U1014A	B1	A1			
U1014B	D5	A1			
U1015A	D5	A1			
U1015B	E5	A1			
U1015C	A2	A1			
U1015D	B2	A1			
U1016	E5	A1			

Digital Storage Horizontal



492/492P (SN B030000 & UP)

A60 HORIZONTAL DIGITAL STORAGE BD
3784-1174
REV JUN 1964

DIGITAL STORAGE, HORIZONTAL (OPTION 02)
(SN B043115 & UP)

25

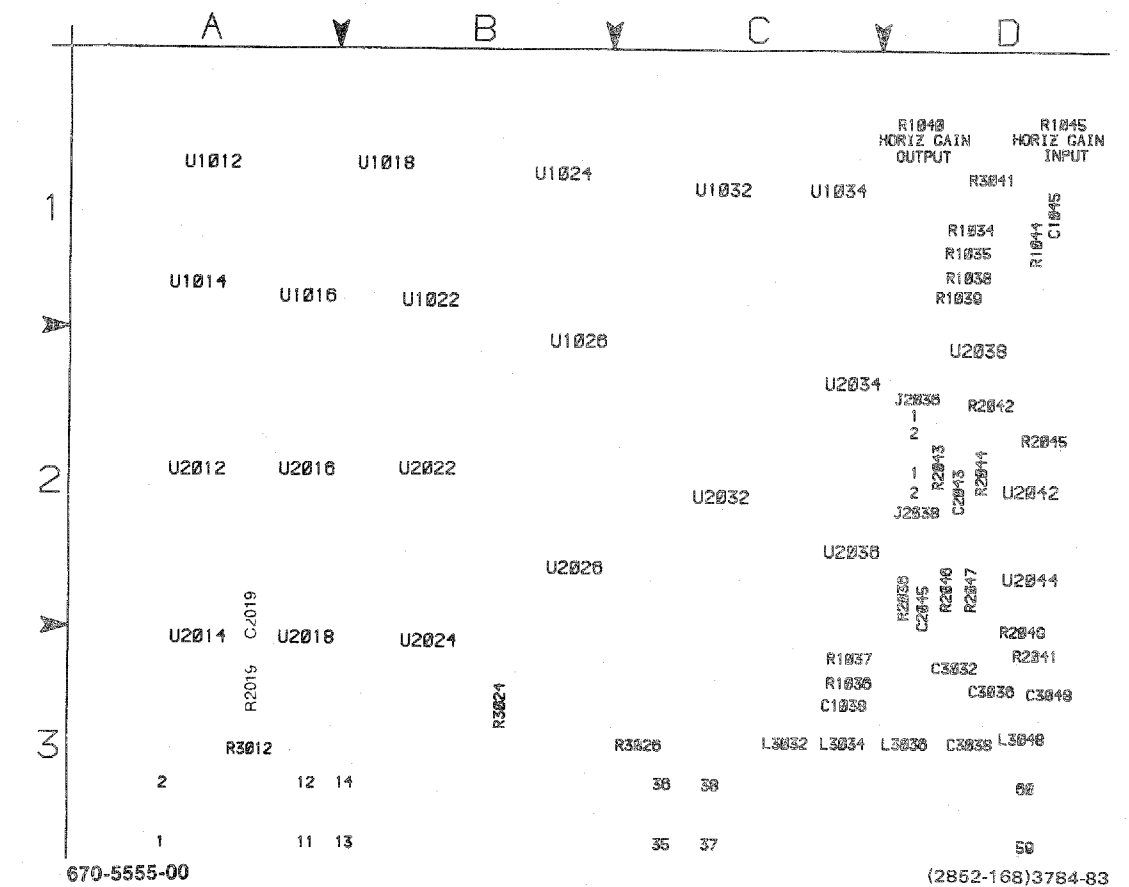
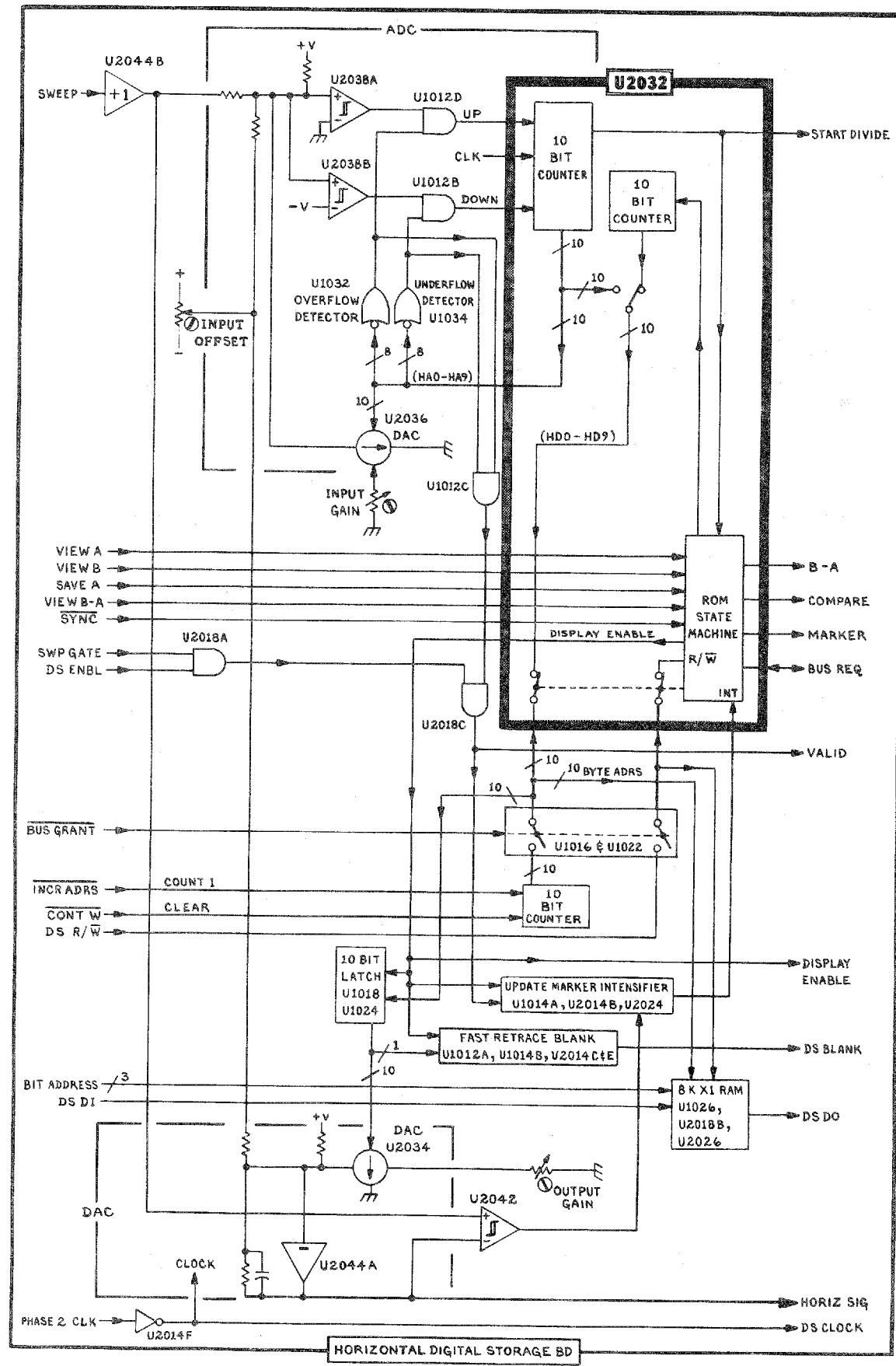
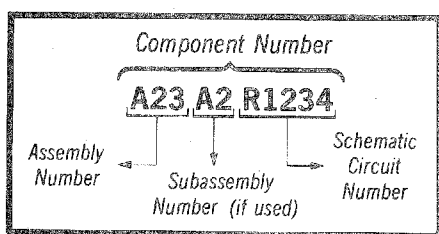


Fig. 8-24B. A60-Digital Storage Horizontal circuit board (SN B030000 - B043114).

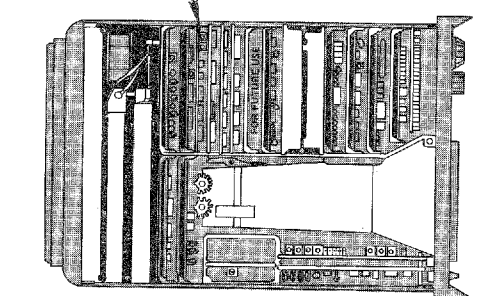
Static Sensitive Devices
See Maintenance Section

COMPONENT NUMBER EXAMPLE



Chassis-mounted components have no Assembly Number prefix—see end of Replaceable Electrical Parts List.

DIGITAL STORAGE HORIZONTAL



3784-150

Digital Storage, Horizontal (Option 02) DIAGRAM (SN B030000 - B043114)

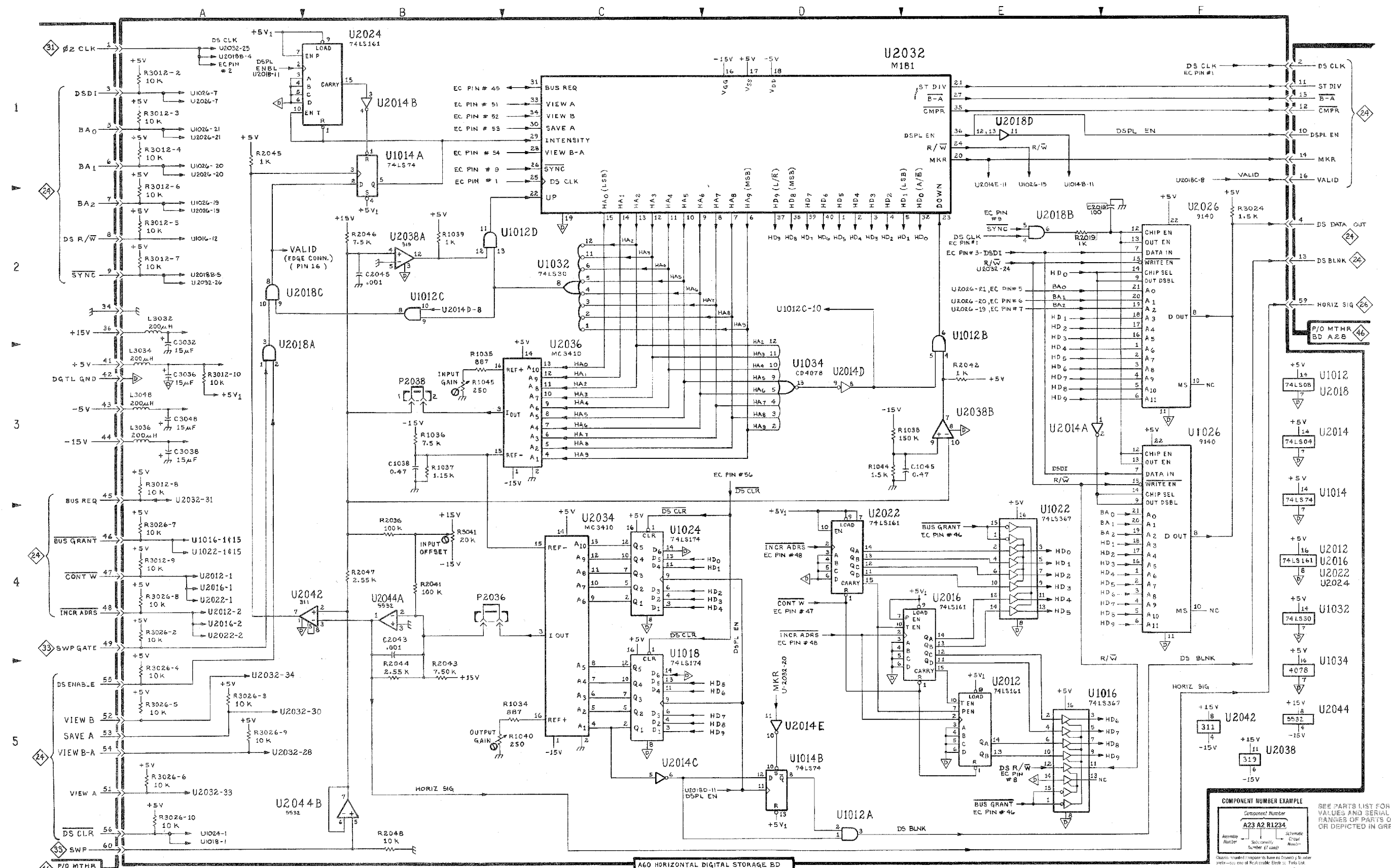
25

ASSEMBLY A60

Digital Storage Horizontal

CIRCUIT NUMBER	SCHEM LOCATION	BOARD LOCATION	CIRCUIT NUMBER	SCHEM LOCATION	BOARD LOCATION	CIRCUIT NUMBER	SCHEM LOCATION	BOARD LOCATION
C1038	B3	C3	R2045	A1	D2	U2014A	E3	A3
C1045	E3	D1	R2047	B4	D2	U2014B	B1	A3
C2019*	E2	A2	R2048	B2	D2	U2014C	C5	A3
C2043	B4	D2	R2048	B5	D2	U2014D	B2	A3
C2045	B2	D2	R3012	A1	A3	U2014E	D3	A3
C3032	A3	D3	R3012	A3	A3	U2014F	A1	A2
C3036	A3	D3	R3024	F2	B3	U2016	E4	A2
C3038	A3	D3	R3026	A4	C3	U2016	F4	A2
C3048	A3	D3	R3026	A5	C3	U2018	F3	A3
L3032	A2	C3	R3041	B4	D1	U2018A	A3	A3
L3034	A3	C3				U2018B	E2	A3
L3036	A3	D3	U1012	F3	A1	U2018C	A2	A3
L3048	A3	D3	U1012A	D5	A1	U2018D	E1	A3
P2036	B4	D2	U1012B	E2	A1	U2022	D4	B2
P2038	B3	D2	U1012C	B2	A1	U2022	F4	B2
R1034	C5	D1	U1012D	B2	A1	U2024	B1	B3
R1035	B3	D1	U1014	F3	A1	U2026	F3	H2
R1036	B3	C3	U1014A	B1	A1	U2032	D1	C2
R1037	B3	C3	U1014B	D5	A1	U2032	F4	C2
R1038	D3	D1	U1016	E5	A1	U2034	C4	C2
R1039	B2	D1	U1018	C5	B1	U2036	C3	C2
R1040	B5	D1	U1022	E4	B1	U2038	F5	D2
R1044	D3	D1	U1024	C4	B1	U2038A	B2	D2
R1045	B3	D1	U1026	F2	B2	U2038B	E3	D2
R2019*	E2	A2	U1032	C2	C1	U2042	B4	D2
R2036	B4	D2	U1034	D3	C1	U2042	F5	D2
R2041	B4	D3	U1034	D3	C1	U2044	F5	D2
R2042	E3	D2	U2012	E5	A2	U2044A	B4	D2
R2043	B5	D2	U2012	F4	A2	U2044B	B5	D2
R2044	B5	D2	U2014	F3	A3			

*See Parts List for serial number ranges.



492/492 P (SN B030000 & UP)

A60 HORIZONTAL DIGITAL STORAGE BD
(2052-94) 3784-25
REV JUN 1983

Static Sensitive Devices
See Maintenance Section

DIGITAL STORAGE, HORIZONTAL (OPTION 02)
(SN B030000 TO B043114)

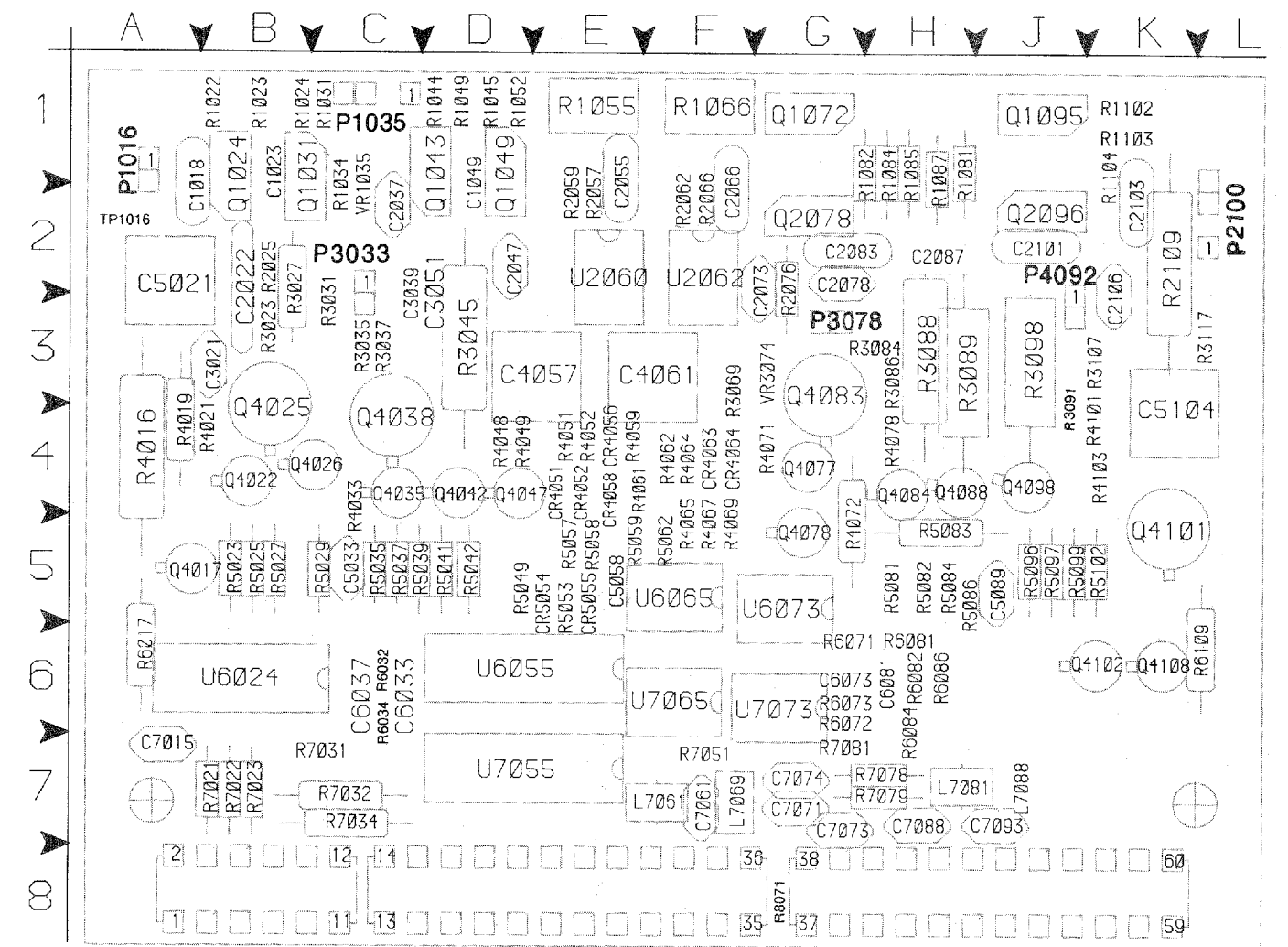
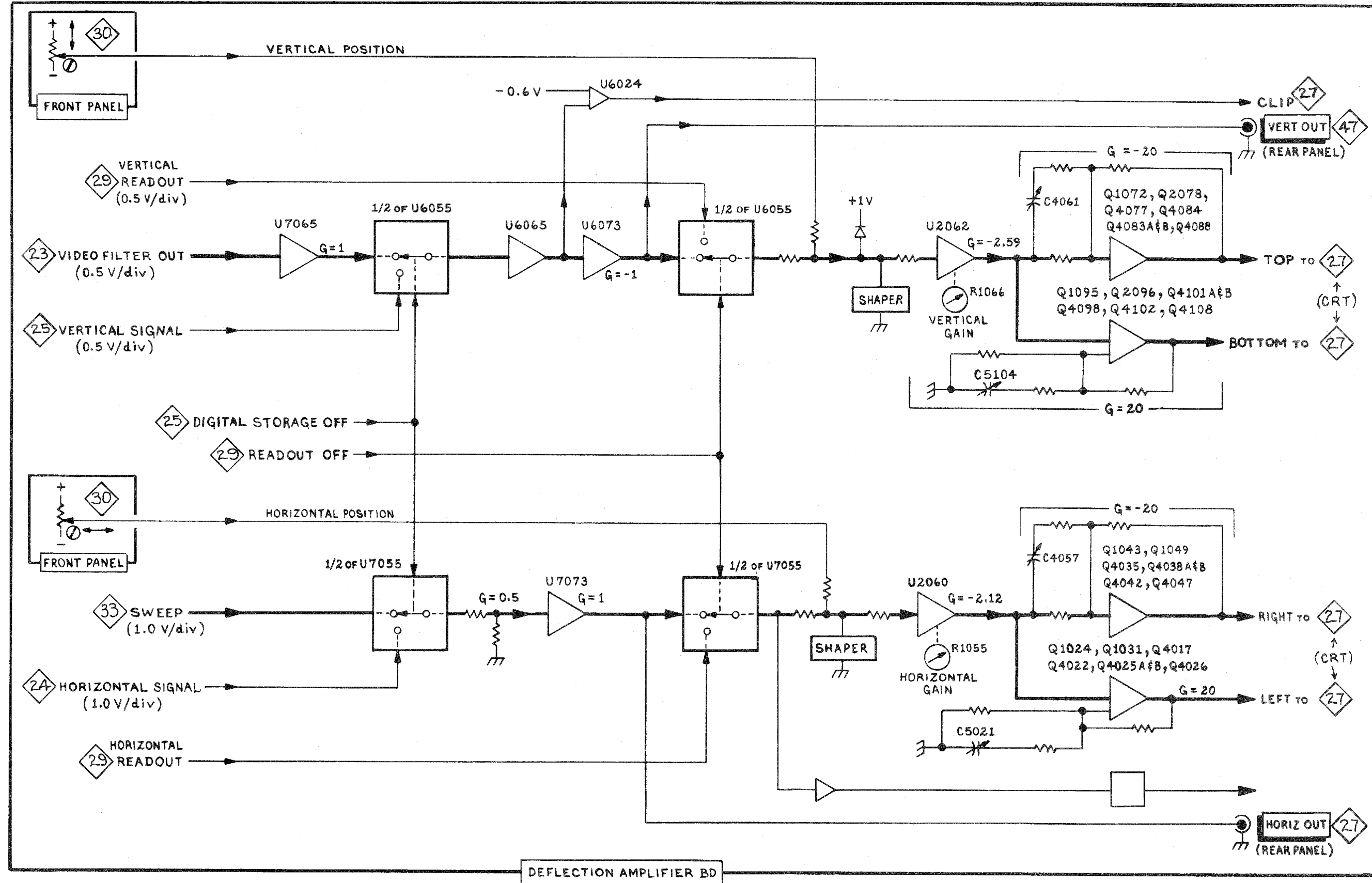
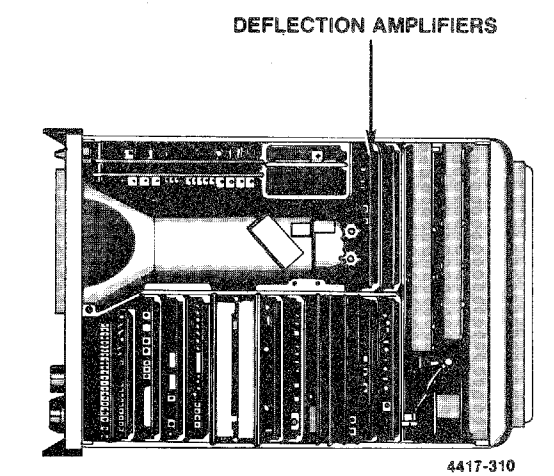
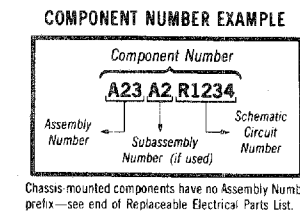


Fig. 8-25A A64— DEFLECTION AMPLIFIER Circuit Board (SN B054644 & UP).

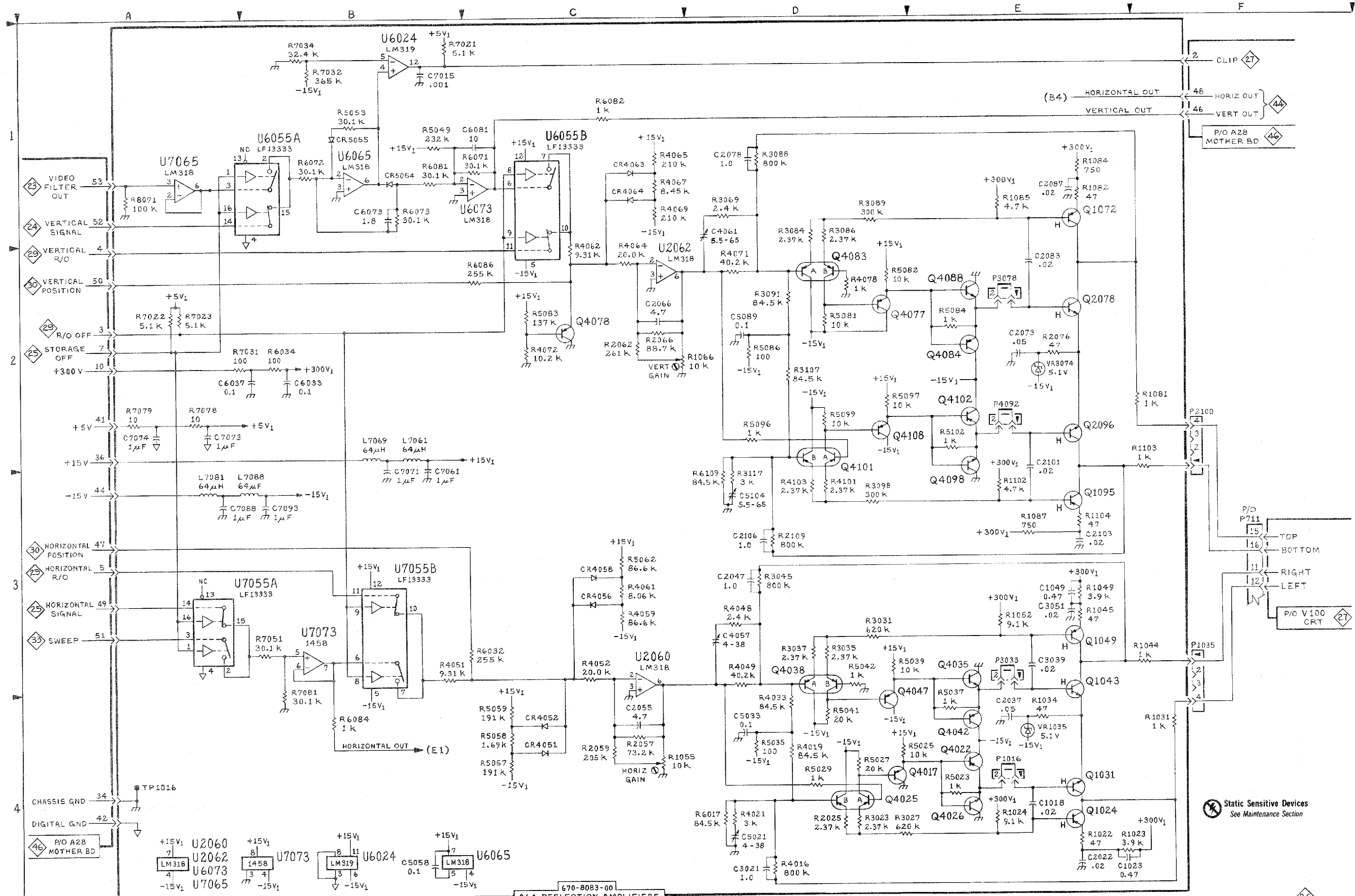


DEFLECTION AMPLIFIERS
(SN B054644 & UP)

DIAGRAM 26

ASSEMBLY A64

CIRCUIT NUMBER	SCHEM LOCATION	BOARD LOCATION	CIRCUIT NUMBER	SCHEM LOCATION	BOARD LOCATION	CIRCUIT NUMBER	SCHEM LOCATION	BOARD LOCATION	CIRCUIT NUMBER	SCHEM LOCATION	BOARD LOCATION
C1018	E4	A2	P4092	E2	I3	R2109	D3	J2	R5084	E2	H5
C1023	E4	B1				R3023	D4	B3	R5086	D2	H5
C1049	E3	D1	P3033	E3	C2	R3027	D4	B3	R5086	D2	H5
C2022	E4	B3				R3031	D3	C3	R5087	D2	H5
C2037	E4	C2	Q1024	E4	B1	R3035	D3	C3	R5089	D2	H5
C2047	D3	D2	Q1031	E4	B1	R3037	D3	C3	R5102	E2	J5
C2055	C4	E2	Q1043	E3	D1	R3045	D3	D3	R6017	D4	A6
C2066	C2	F2	Q1049	E3	D1	R3069	D1	F3	R6032	C3	C6
C2073	E2	G2	Q1072	E1	G1	R3084	D1	H3	R6034	B2	C7
C2078	D1	G2	Q1095	E3	I1	R3086	D1	H3	R6071	C1	G6
C2083	E2	G2	Q2078	E2	G2	R3088	D1	H3	R6072	B1	G6
C2087	E1	H2	Q2096	E2	I2	R3089	D1	H3	R6073	B1	G6
C2101	E2	I2	Q4017	D4	A5	R3091	D2	J4	R6081	B1	H6
C2103	E3	J2	Q4022	E4	B4	R3098	D3	I3	R6082	C1	H6
C2106	D3	J2	Q4025	D4	B3	R3107	D2	J3	R6084	B4	H7
C3021	D4	B3	Q4026	E4	B4	R3117	D3	J3	R6086	H6	C2
C3039	E3	C3	Q4035	E3	C4	R4016	D4	A4	R6109	D3	K6
C3051	E3	D3	Q4038	D3	C4	R4019	D4	A4	R7021	B1	B7
C4057	D3	D3	Q4042	E4	D4	R4021	D4	B4	R7022	A2	B7
C4061	D1	E3	Q4047	D4	D4	R4033	D4	C4	R7023	A2	C7
C5021	D4	A2	Q4077	D2	G4	R4048	D3	D4	R7032	B1	B7
C5033	D4	C5	Q4078	C2	G5	R4049	D3	D4	R7034	B1	B7
C5068	B4	E5	Q4083	D2	G3	R4051	B3	D4	R7051	B3	F7
C5089	D2	I5	Q4084	E2	H4	R4051	B3	D4	R7078	A2	H7
C5104	D3	J3	Q4088	E2	H4	R4052	C3	E4	R7079	A2	H7
C6033	B2	C6	Q4098	E3	I4	R4059	C3	E4	R7081	B4	G6
C6037	A2	C6	Q4101	J5	D2	R4061	C3	E4	R8071	A1	G8
C6073	B1	G6	Q4102	E2	I6	R4062	C2	F4			
C6081	C1	H6	Q4108	D2	J6	R4064	C2	F4			
C7015	B1	A7				R4065	C1	F4			
C7061	B3	F7	R1022	E4	B1	R4067	C1	F4			
C7071	B3	G7	R1023	E4	B1	R4069	C1	F4			
C7073	A2	G7	R1024	E4	B1	R4071	D2	G4			
C7074	A2	G7	R1031	F4	C1	R4072	C2	G4			
C7088	A3	H7	R1034	E4	C2	R4078	D2	H4			
C7093	B3	I7	R1044	F3	D1	R4101	D3	J4			
			R1045	E3	D1	R4103	D3	J4			
CR4051	C4	E4	R1049	E3	D1	R5023	E4	B5			
CR4052	C4	E4	R1052	E3	D1	R5025	D4	B5			
CR4056	C3	E4	R1055	C4	F1	R5027	D4	B5			
CR4058	C3	E4	R1086	C2	F1	R5029	D4	C5			
CR4063	C1	F4	R1081	F2	H2	R5035	D4	C5			
CR4064	C1	F4	R1082	E1	G2	R5037	E4	C5			
CR5054	B1	E5	R1084	E1	H2	R5039	D3	C5			
CR5055	B1	E5	R1085	E1	H2	R5041	D4	D5			
			R1087	E3	H2	R5042	D3	D5			
L7061	B2	E7	R1102	E3	J1	R5049	B1	D5			
L7089	B2	F7	R1103	F2	J1	R5063	B1	E5			
L7081	A3	H7	R1104	E3	K2	R5067	C4	E5			
L7088	B3	I7	R2025	D4	B5	R5068	C4	E5			
			R2057	C4	E2	R5069	C4	E5			
P1016	E4	A1	R2059	C4	E2	R5082	C3	F5			
P1035	F3	C1	R2062	C2	F2	R5081	D2	H5			
P2100	F2	K2	R2066	C2	F2	R5082	D2	H5			
P3078	E2	G3	R2076	E2	G3	R5083	C2	H6			



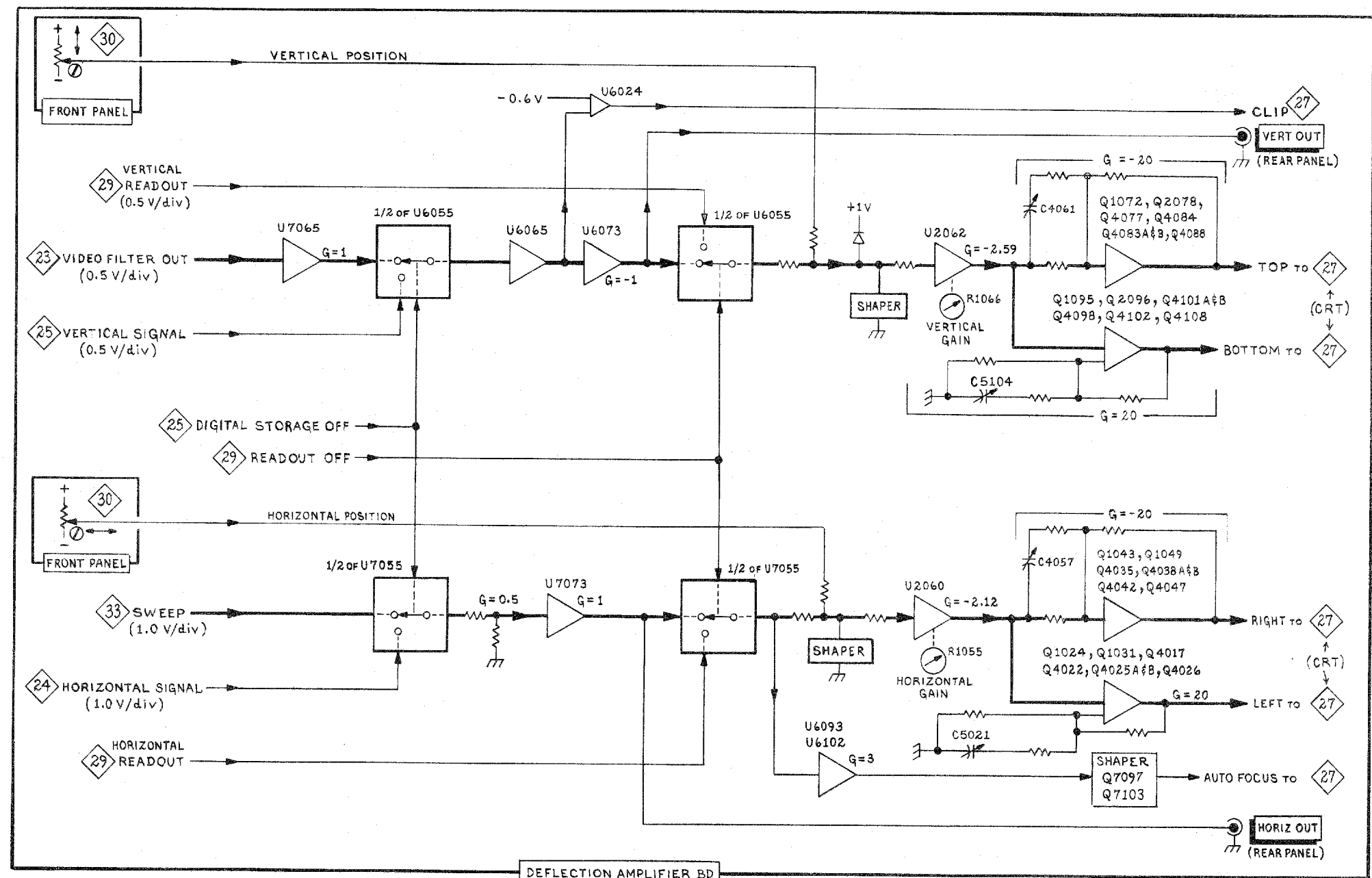
492/492P (SN B030000 & UP)

3784-190
REV MAR 1985

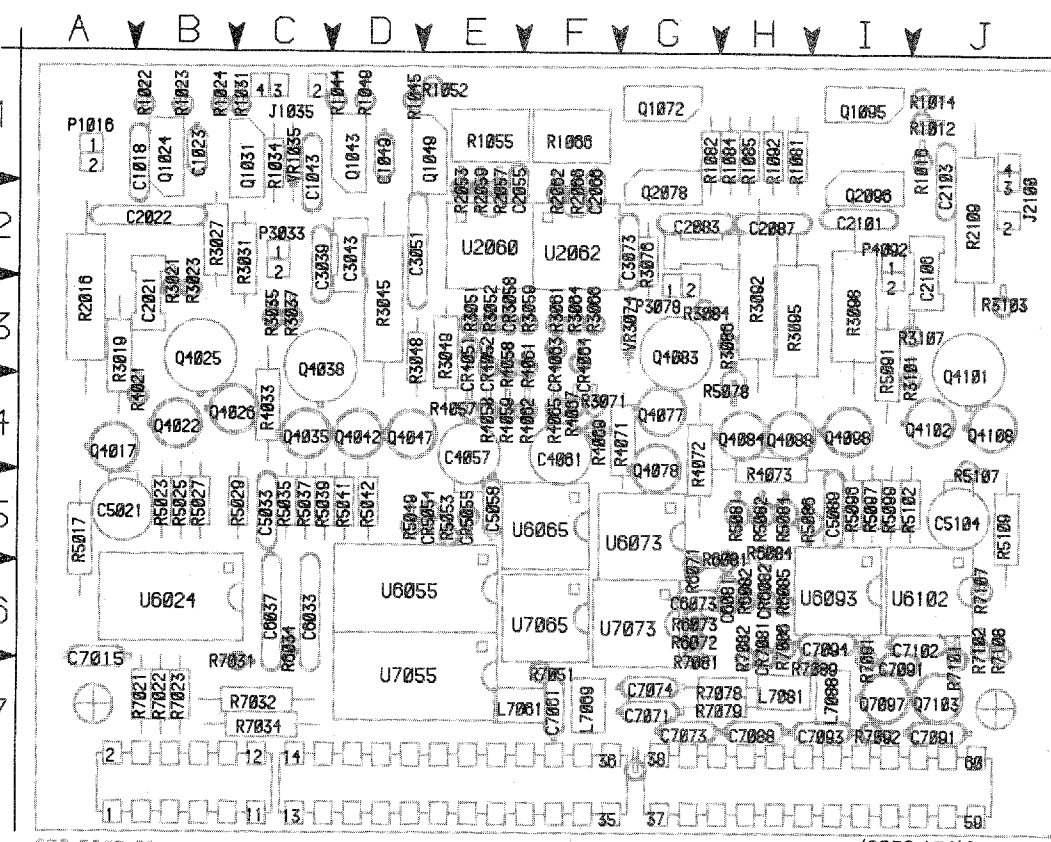
DEFLECTION AMPLIFIERS
(SN B054644 & UP)

DEFLECTION AMPLIFIERS
(SN B054644 & UP)

26



(2852-173)3784-85

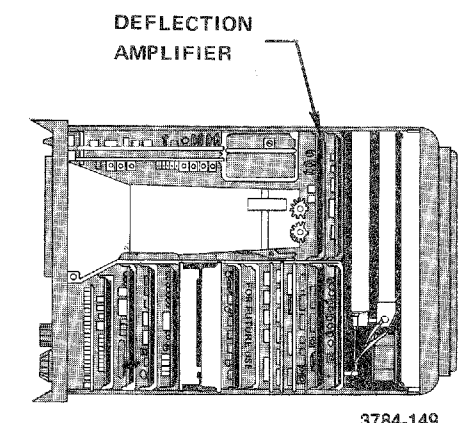


670-5553-03

(2852-174)3784-86

Fig. 8-25B A64 DEFLECTION AMPLIFIER Circuit Board (SN B054643 & BELOW).

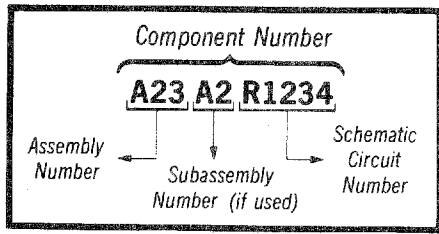
DEFLECTION AMPL. CKT BD
BLOCK DIAG. (SN B054643 & BELOW)



3784-149

Static Sensitive Devices
See Maintenance Section

COMPONENT NUMBER EXAMPLE

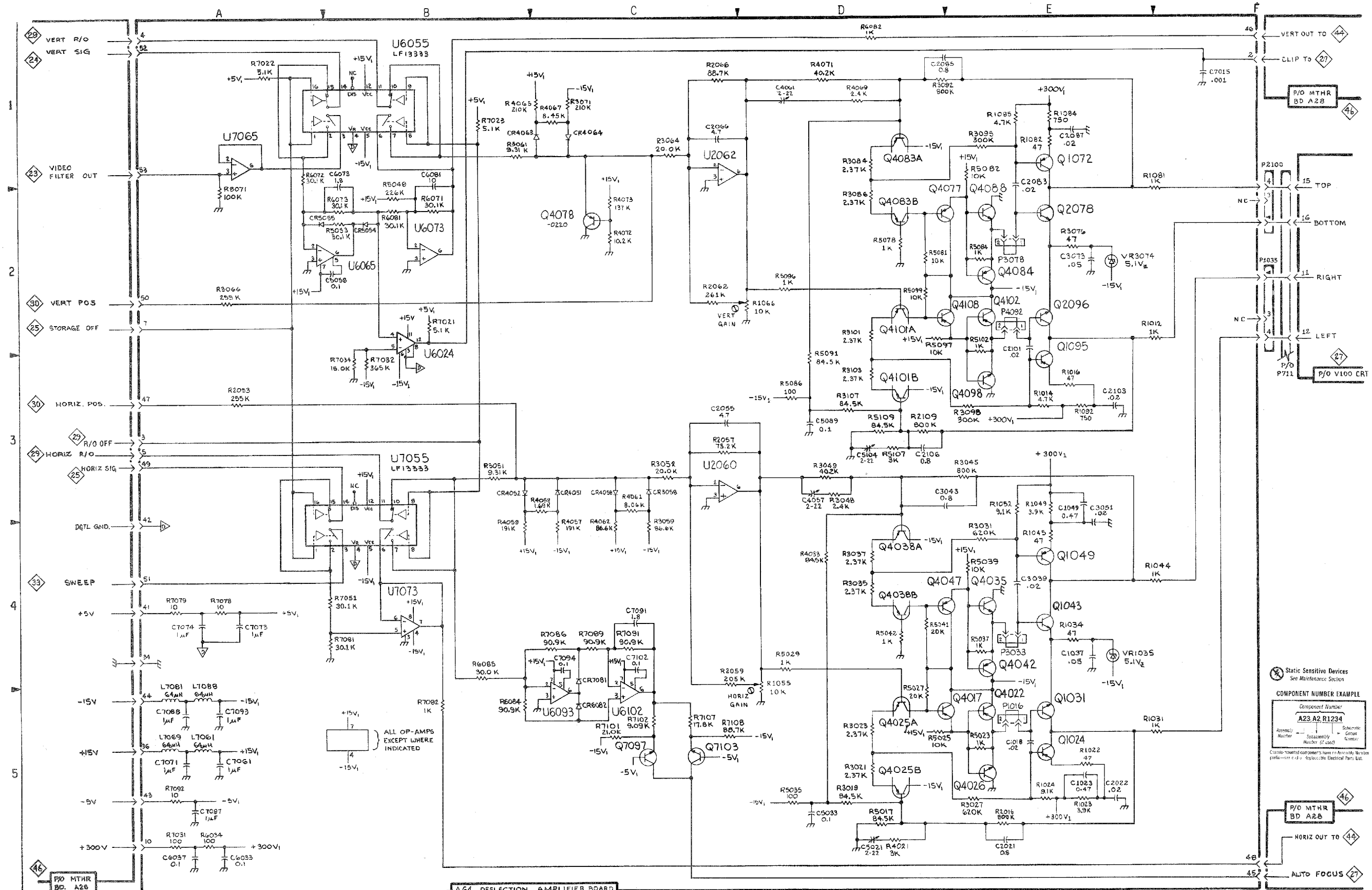


Chassis-mounted components have no Assembly Number prefix—see end of Replaceable Electrical Parts List.

Deflection Amplifier DIAGRAM 26

ASSEMBLY A64 (SN B054643 & BELOW)

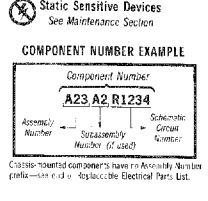
CIRCUIT NUMBER	SCHEM LOCATION	BOARD LOCATION	CIRCUIT NUMBER	SCHEM LOCATION	BOARD LOCATION	CIRCUIT NUMBER	SCHEM LOCATION	BOARD LOCATION	CIRCUIT NUMBER	SCHEM LOCATION	BOARD LOCATION	CIRCUIT NUMBER	SCHEM LOCATION	BOARD LOCATION
C1018	E5	B1	P1016	E5	A1	R1092	E3	H1	R5049	B2	D5	R5049	B2	D5
C1023	E5	B1	P1035	F2	C1	R2016	E5	A3	R5053	B2	E5	R5053	B2	E5
C1043	E4	C1	P2100	F2	J2	R2063	A3	E2	R5078	D2	H4	R5078	D2	H4
C1049	E3	D1	P3033	E4	C2	R2057	C3	E2	R5081	D2	H5	R5081	D2	H5
C2021	E5	B3	P3078	E2	G3	R2059	C4	E2	R5082	E1	H5	R5082	E1	H5
C2022	E5	B2	PA092	E2	I2	R2062	C2	F2	R5086	D3	H5	R5086	D3	H5
C2055	C3	E2				R2066	C1	F2	R5091	D3	I3	R5091	D3	I3
C2066	C1	F2	Q1024	E5	B1	R2109	D3	J2	R5096	D2	I5	R5096	D2	I5
C2083	E2	G2	Q1031	E5	C1	R3019	D5	A3	R5097	D2	I5	R5097	D2	I5
C2087	E1	H2	Q1043	E4	D1	R3021	D5	B3	R5099	D2	I5	R5099	D2	I5
C2101	E2	I2	Q1048	E4	E1	R3023	D6	B3	R5102	E2	I5	R5102	E2	I5
C2103	E3	J1	Q1072	E1	G1	R3027	E5	B2	R5107	D3	J4	R5107	D3	J4
C2106	D3	C2	Q1095	E1	I1	R3031	F4	C2	R5109	D3	J5	R5109	D3	J5
C3039	E4	C2	Q2078	E2	G2	R3035	D4	C3	R6034	A5	C6	R6034	A5	C6
C3043	E3	D2	Q2096	E2	I2	R3037	D4	C3	R6034	A5	C6	R6034	A5	C6
C3051	E3	D2	Q4017	E5	A4	R3045	E3	D3	R6071	B2	G6	R6071	B2	G6
C4057	D2	G2	Q4022	E5	B4	R3048	D3	D3	R6072	A1	G6	R6072	A1	G6
C4061	D1	F4	Q4025A	D5	B3	R3049	D3	E3	R6073	B2	G6	R6073	B2	G6
C5021	D5	A5	Q4025B	D6	B3	R3051	B3	E3	R6081	B2	H5	R6081	B2	H5
C5033	D5	C6	Q4026	E5	B4	R3052	C3	E3	R6082	D1	H6	R6082	D1	H6
C5058	B2	E5	Q4035	E4	C4	R3059	C4	E3	R6084	B5	H5	R6084	B5	H5
C5089	D3	I5	Q4038A	D4	C3	R3061	B1	F3	R6085	B4	H6	R6085	B4	H6
C5104	D3	J5	Q4038B	D4	C3	R3064	C1	F3	R7021	B2	B7	R7021	B2	B7
C6033	A5	C6	Q4042	E4	D4	R3068	A2	F3	R7022	A1	B7	R7022	A1	B7
C6033	A5	C6	Q4047	D2	G4	R3071	C1	F4	R7023	B1	B7	R7023	B1	B7
C6037	A5	C6	Q4079	C2	G4	R3076	E2	G2	R7031	A5	B6	R7031	A5	B6
C6073	B2	G6	Q4083A	D1	G3	R3086	D2	H3	R7032	B3	C7	R7032	B3	C7
C6081	B2	H6	Q4083B	D2	G3	R3088	D2	H3	R7033	B3	C7	R7033	B3	C7
C7015	F1	A6	Q4084	E2	H4	R3092	D1	H3	R7034	B3	C7	R7034	B3	C7
C7061	A5	F7	Q4088	E2	H4	R3095	E1	H3	R7051	A4	F7	R7051	A4	F7
C7071	A5	G7	Q4098	E3	I4	R3098	E3	I3	R7051	A4	F7	R7051	A4	F7
C7073	A4	G7	Q4101A	D2	J3	R3101	D2	I3	R7079	A4	G7	R7079	A4	G7
C7074	A4	G7	Q4101B	D3	J3	R3103	D3	J3	R7081	A4	G6	R7081	A4	G6
C7088	A5	H7	Q4102	E2	J4	R3107	D3	I3	R7082	B5	H6	R7082	B5	H6
C7091	C4	I6	Q4108	E2	J4	R4021	D5	B4	R7086	C4	H6	R7086	C4	H6
C7093	A5	I7	Q7097	C5	I7	R4033	D4	C4	R7089	C4	H6	R7089	C4	H6
C7094	C4	I6	Q7103	C5	J7	R4057	C4	E4	R7091	C4	I6	R7091	C4	I6
C7097	A5	NA	R1012	E2	J1	R4058	C3	E3	R7092	A5	I7	R7092	A5	I7
C7102	C4	I6	R1014	E3	J1	R4059	B4	E4	R7101	C5	J6	R7101	C5	J6
CR3058	C3	E3	R1016	E3	J1	R4061	C3	E3	R7102	C5	J6	R7102	C5	J6
CR4051	C3	E3	R1022	E5	B1	R4062	C4	E4	R7107	C5	J6	R7107	C5	J6
CR4052	B3	E3	R1023	E5	B1	R4065	C1	F4	U2060	C3	E2	U2060	C3	E2
CR4063	C1	F3	R1024	E5	B1	R4067	C1	F4	U2062	C1	F2	U2062	C1	F2
CR4064	C1	F3	R1029	E5	B1	R4069	D1	F4	U6024	B2	B6	U6024	B2	B6
CR5054	B2	E5	R1031	E5	C1	R4071	D1	F4	U6055	B1	D6	U6055	B1	D6
CR5055	B2	E5	R1034	E4	C1	R4072	C2	G4	U6065	A2	F5	U6065	A2	F5
CR6082	C5	H6	R1044	E4	D1	R4073	C2	H4	U6073	B2	G5	U6073	B2	G5
CR7081	C4	H6	R1045	E4	D1	R5017	D5	A5	U6093	A1	F6	U6093	A1	F6
L7061	A5	E7	R1049	E3	D1	R5023	E5	B5	U7055	B3	D7	U7055	B3	D7
L7069	A5	F7	R1052	E3	F1	R5029	D4	B5	U7065	A5	F6	U7065	A5	F6
L7081	A5	H7	R1055	D4	E1	R5035	D5	C5	U7073	B4	G6	U7073	B4	G6
L7088	A5	I7	R1066	D2	F1	R5037	E4	C5	VR1035	E4	C1	VR1035	E4	C1
			R1081	E1	H1	R5039	E4	C5	VR3074	E2	G3	VR3074	E2	G3
			R1082	E1	G1	R5041	D4	D5						
			R1084	E1	H1	R5042	D4	D5						
			R1085	E1	H1									



492/492P (SN B030000 & UP)

(2852-95) 3784-26
REV MAR. 1985

DEFLECTION AMPLIFIER 26
(SN B054643 & BELOW)



DEFLECTION AMPLIFIERS (SN B054643 & BELOW) 26

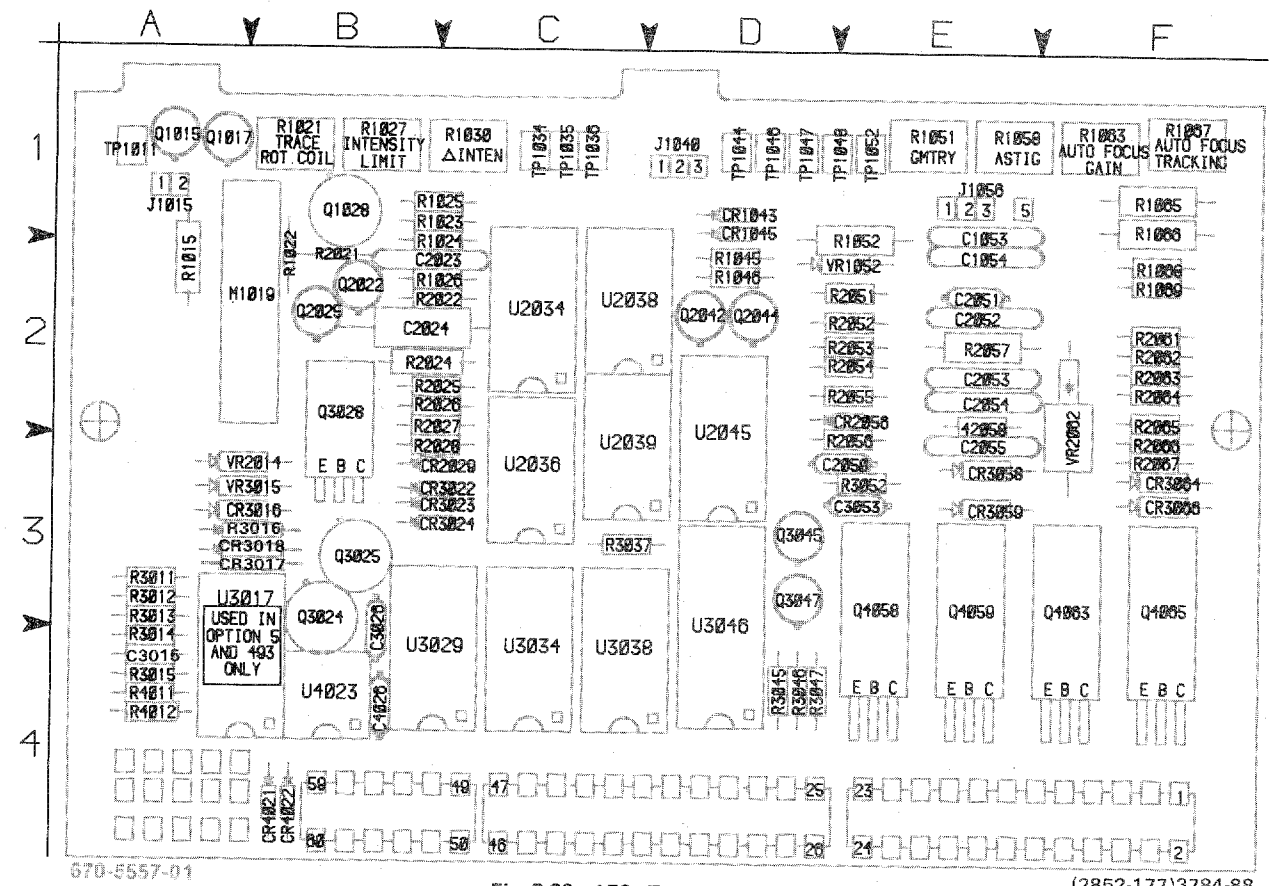
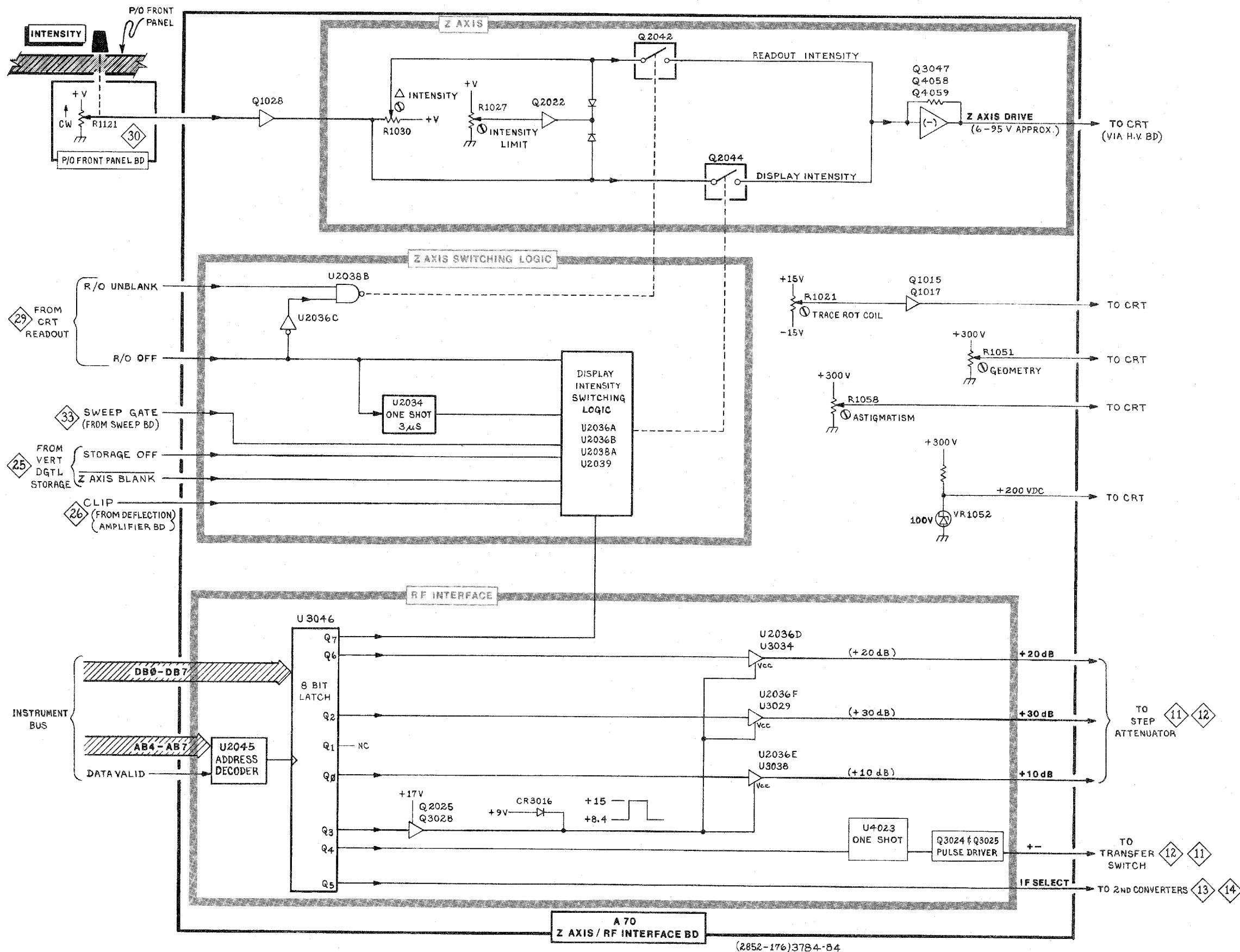
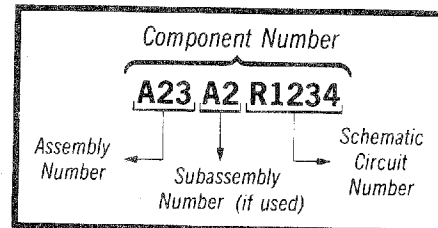


Fig. 8-26. A70-Z Axis circuit board.

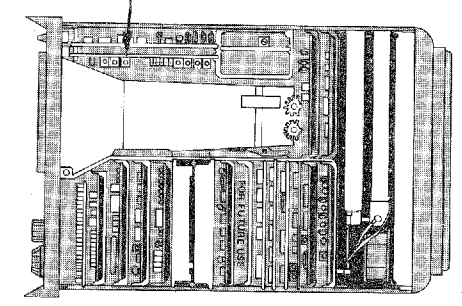
Static Sensitive Devices
See Maintenance Section

COMPONENT NUMBER EXAMPLE



Chassis-mounted components have no Assembly Number prefix—see end of Replaceable Electrical Parts List.

Z-AXIS/RF INTERFACE BD



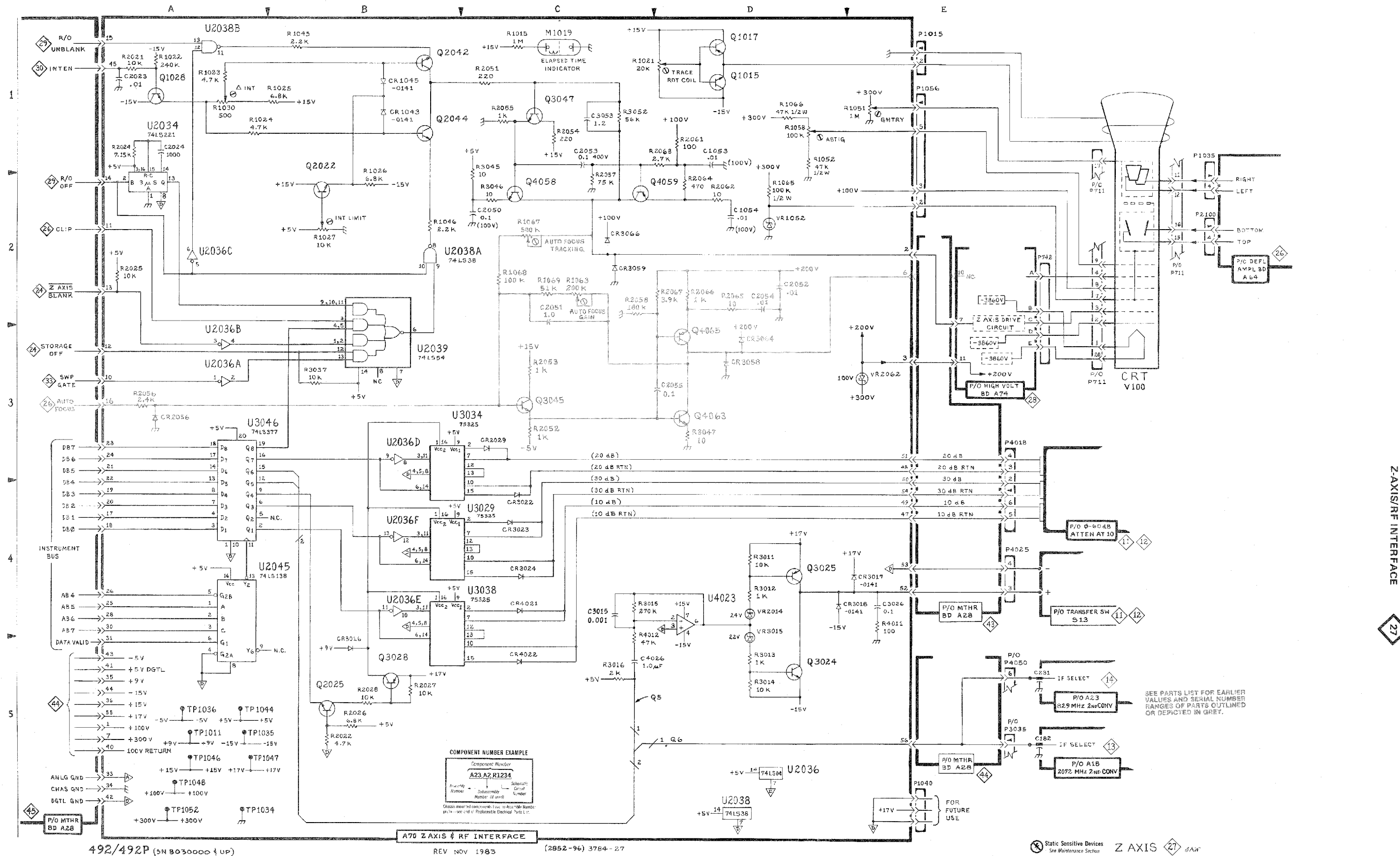
3784-148

Z Axis/RF Interface DIAGRAM 27

ASSEMBLY A70

CIRCUIT NUMBER	SCHEM LOCATION	BOARD LOCATION	CIRCUIT NUMBER	SCHEM LOCATION	BOARD LOCATION	CIRCUIT NUMBER	SCHEM LOCATION	BOARD LOCATION	CIRCUIT NUMBER	SCHEM LOCATION	BOARD LOCATION
C1053	D1	E1	Q1028	A1	B1	R2021	A1	B2	TP1011	A5	A1
C1054	D2	E2	Q2022	B2	B2	R2022	B5	B2	TP1034	A5	C1
C2023	A1	B2	Q2025	B5	B2	R2024	A1	B2	TP1035	A5	C1
C2024	A1	B2	Q2042	B1	D2	R2025	A2	B2	TP1036	A5	C1
C2050	C2	E3	Q2044	B1	D2	R2026	B5	B2	TP1044	A5	D1
C2051*	C2	E2	Q3024	D5	B3	R2027	B5	B2	TP1046	A5	D1
C2052*	D2	E2	Q3025	D4	B3	R2028	B5	B3	TP1047	A5	D1
C2053	C1	E2	Q3028	B5	B2	R2051	C1	E2	TP1048	A5	D1
C2054*	D2	E2	Q3045*	C3	D3	R2052*	C3	E2	TP1052	A5	E1
C2055*	D3	E2	Q3047	C1	D3	R2053*	C3	E2			
C3015	D4	A4	Q4058	C2	E3	R2054	C1	E2	U2034	A1	C2
C3026	E4	B3	Q4059	C2	E3	R2055	C1	E2	U2036	D5	C3
C3053	C1	E3	Q4063*	D3	F3	R2056*	A3	E2	U2036A	A3	C3
C4026	C5	B4	Q4065*	D3	F3	R2057	C2	E2	U2036B	A3	C3
						R2058*	C2	E2	U2036C	A2	C3
CR1043	B1	D1	R1015	C1	A2	R2061	D1	F2	U2036D	B3	C3
CR1045	B1	D1	R1021	D1	B1	R2062	D2	F2	U2036E	B4	C3
CR2029	C3	B3	R1022	A1	B2	R2063	D1	F2	U2036F	B4	C3
CR2056*	A3	E2	R1023	A1	B1	R2064	D2	F2	U2038	D5	C2
CR3016	B5	B3	R1024	A1	B1	R2065*	D2	F2	U2038A	B2	C2
CR3017	E4	B3	R1025	B1	B2	R2066*	D2	F2	U2038B	A1	C2
CR3018	D4	B3	R1026	B2	B2	R2067*	D2	F3	U2039	B3	C3
CR3022	C4	B3	R1027	B2	B1	R3011	D4	A3	U2045	A4	D2
CR3023	C4	B3	R1028	B2	B2	R3012	D4	A3	U3029	C4	B4
CR3024	C4	B3	R1030	A1	C1	R3013	D5	A3	U3034	C3	C4
CR3058*	D3	E3	R1046	B2	D2	R3014	D5	A4	U3046	C4	D3
CR3059	C2	E3	R1051	E1	D1	R3015	C4	A4	U4023	A3	D3
CR3064*	D3	F3	R1052	D1	E1	R3016	D5	A3			
CR3066	C2	F3	R1058	D1	E1	R3037	B3	C3			
CR4021	C4	B4	R1063*	C2	F1	R3045	C1	D4	VR1052	D2	E2
CR4022	C5	B4	R1065	D2	F1	R3046	C2	D4	VR2014	D4	B3
			R1066	D1	F1	R3047*	D3	D4	VR2062	E3	F2
M1019	C1	B2	R1067*	C1	F1	R3052	C1	E3	VR3015	D4	B3
Q1015	D1	A1	R1068*	C2	F2	R4011	E4	A4			
Q1017	D1	A1	R1069*	C2	F2	R4012	C4	A4			

*See Parts List for serial number ranges.



492/492P (SN B030000-1 up) REV NOV 1983 (2952-96) 3784-27

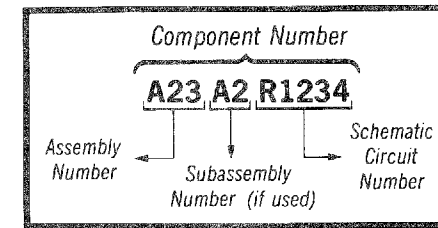
Static Sensitive Devices See Maintenance Section Z AXIS 27

Z-AXIS/RF INTERFACE 27

SEE PARTS LIST FOR EARLIER VALUES AND SERIAL NUMBER RANGES OF PARTS OUTLINED OR DEPICTED IN GREY.

 **Static Sensitive Devices**
See Maintenance Section

COMPONENT NUMBER EXAMPLE



Chassis-mounted components have no Assembly Number prefix—see end of Replaceable Electrical Parts List.

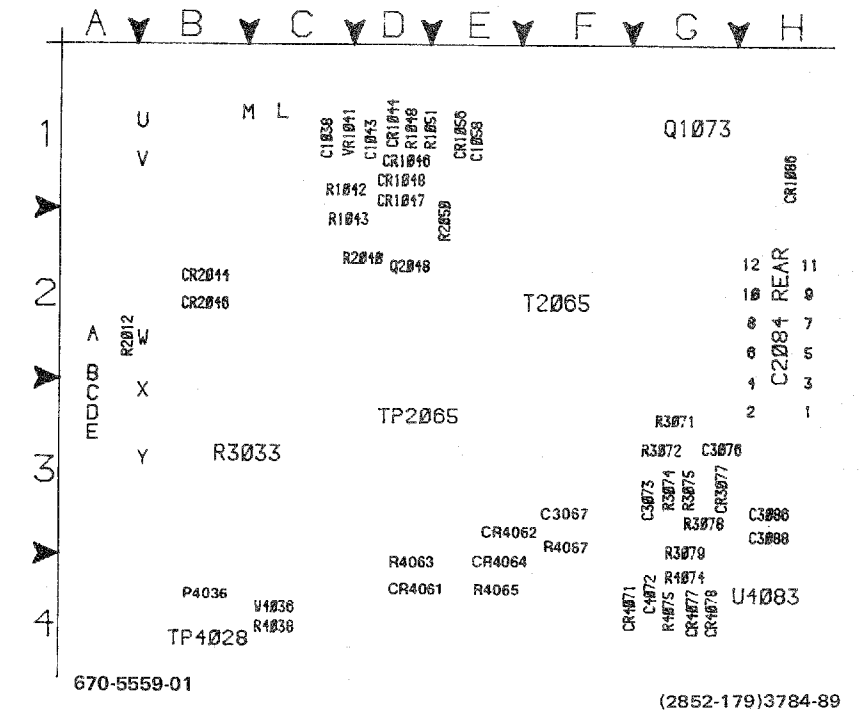
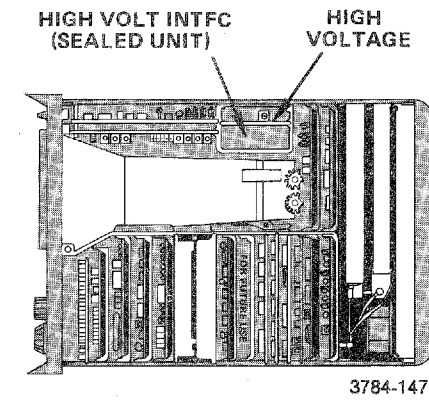


Fig. 8-27. A74—High Voltage circuit board.



HIGH VOLTAGE DIAGRAM 28

ASSEMBLY A74

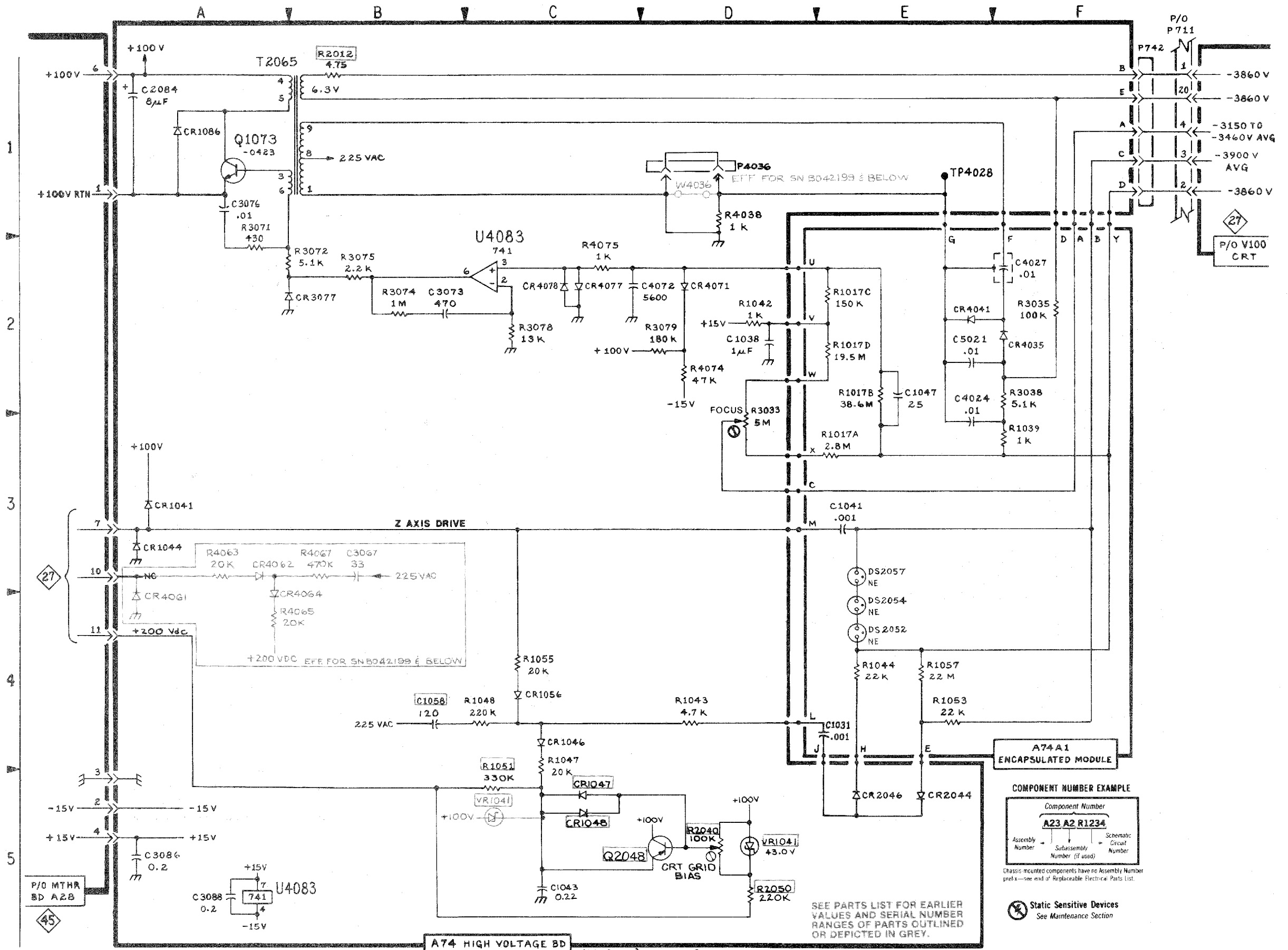
CIRCUIT NUMBER	SCHEM LOCATION	BOARD LOCATION
C1038	D2	C1
C1043	C5	D1
C1058	B4	E1
C2084	A1	H2
C3067*	B3	F3
C3073	B2	G3
C3076	A1	G3
C3086	A5	H3
C3088	A5	H3
C4072	C2	G4
CR1044	A3	D1
CR1046	C4	E1
CR1047*	C5	D1

CIRCUIT NUMBER	SCHEM LOCATION	BOARD LOCATION
CR1048*	C5	D1
CR1056	C4	E1
CR1076	A3	D1
CR1086	A1	H1
CR3077	B2	G3
CR4061*	A4	E4
CR4062*	A3	E3
CR4064*	A4	E4
CR4071	D2	G4
CR4077	C2	G4
CR4078	C2	G4
Q1073	A1	G1
Q2048*	C5	D2
R1042	D2	D1

High Voltage

CIRCUIT NUMBER	SCHEM LOCATION	BOARD LOCATION
R1043	D4	D1
R1048	C4	D1
R1051	C5	E1
R2012	B1	A2
R2040*	D5	D2
R2050*	D5	E1
R3033	D3	C3
R3071	A2	G3
R3072	B2	G3
R3074	B2	G3
R3075	B2	G3
R3076	B2	G3
R3078	C2	G3
R3079	D2	G3
T2065	B1	F2
U4083	A5	H4
U4083	C2	H4
VR1041	D5	D1
W4036	D1	C4

*See Parts List for serial number ranges.



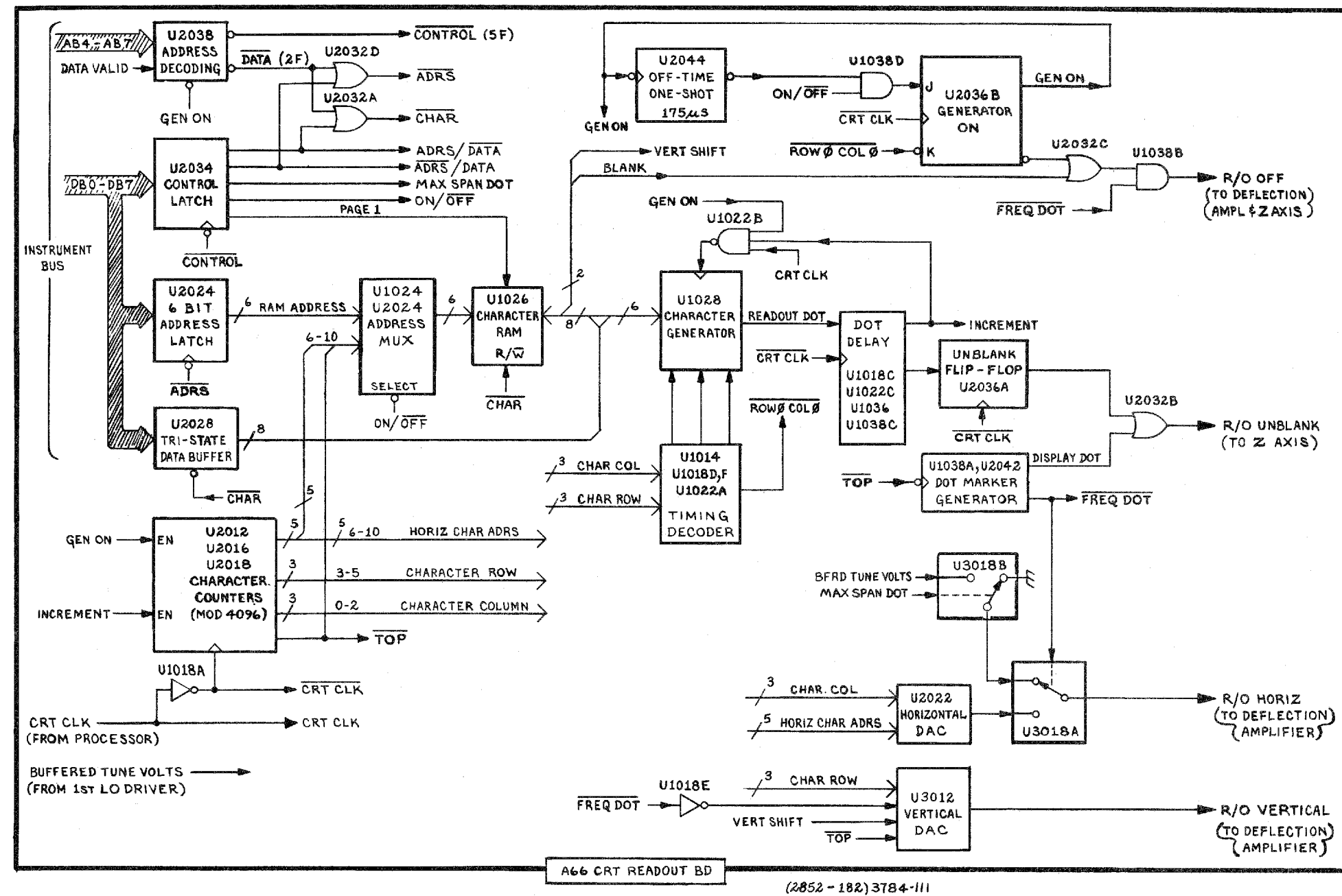
492/492P (SN B030000 & UP)

REV OCT 1985

HIGH VOLTAGE SUPPLY 28 JAW

HIGH VOLTAGE

28



(2852-182)3784-111

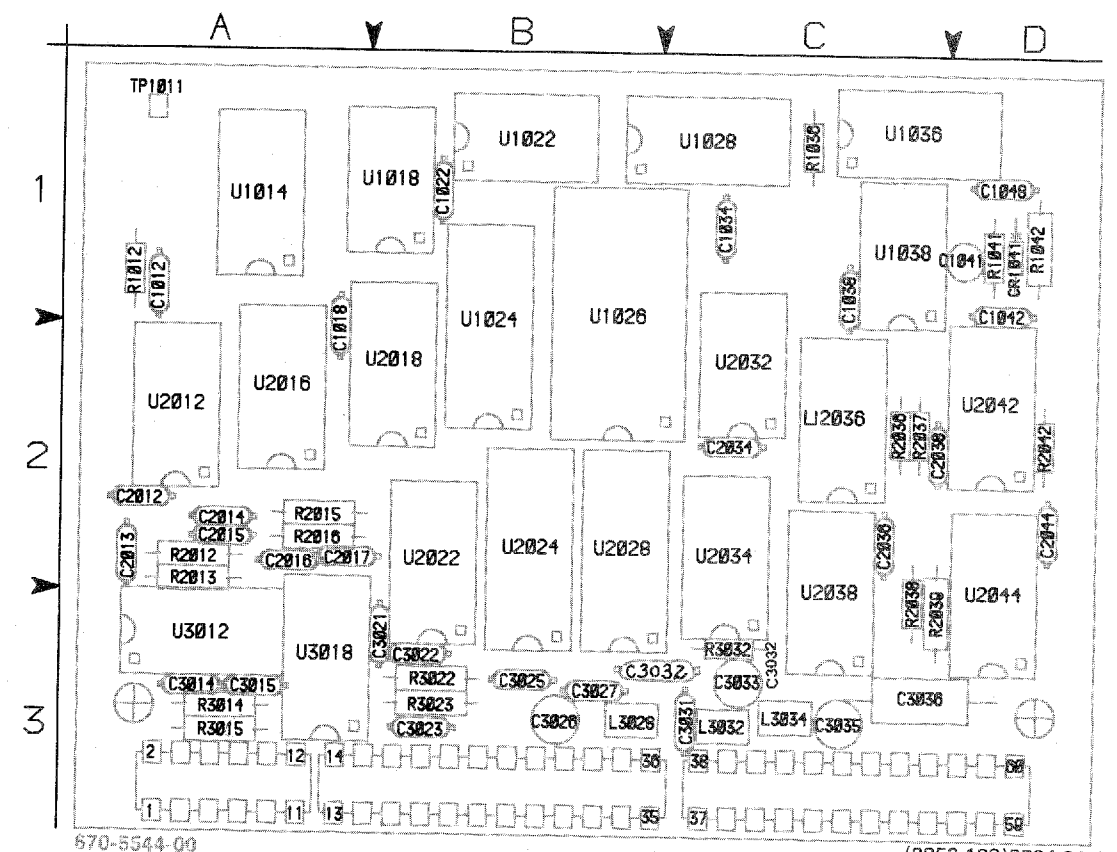
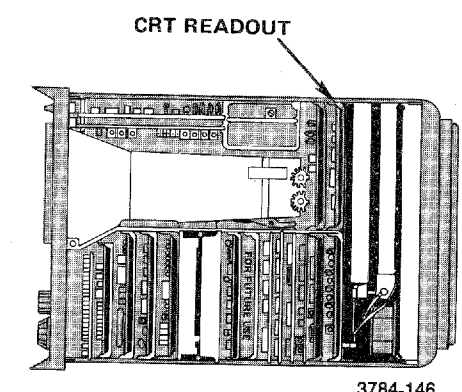
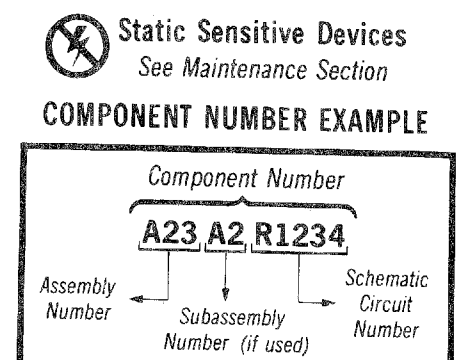


Fig. 8-29. A66—CRT Readout circuit board.



3784-146



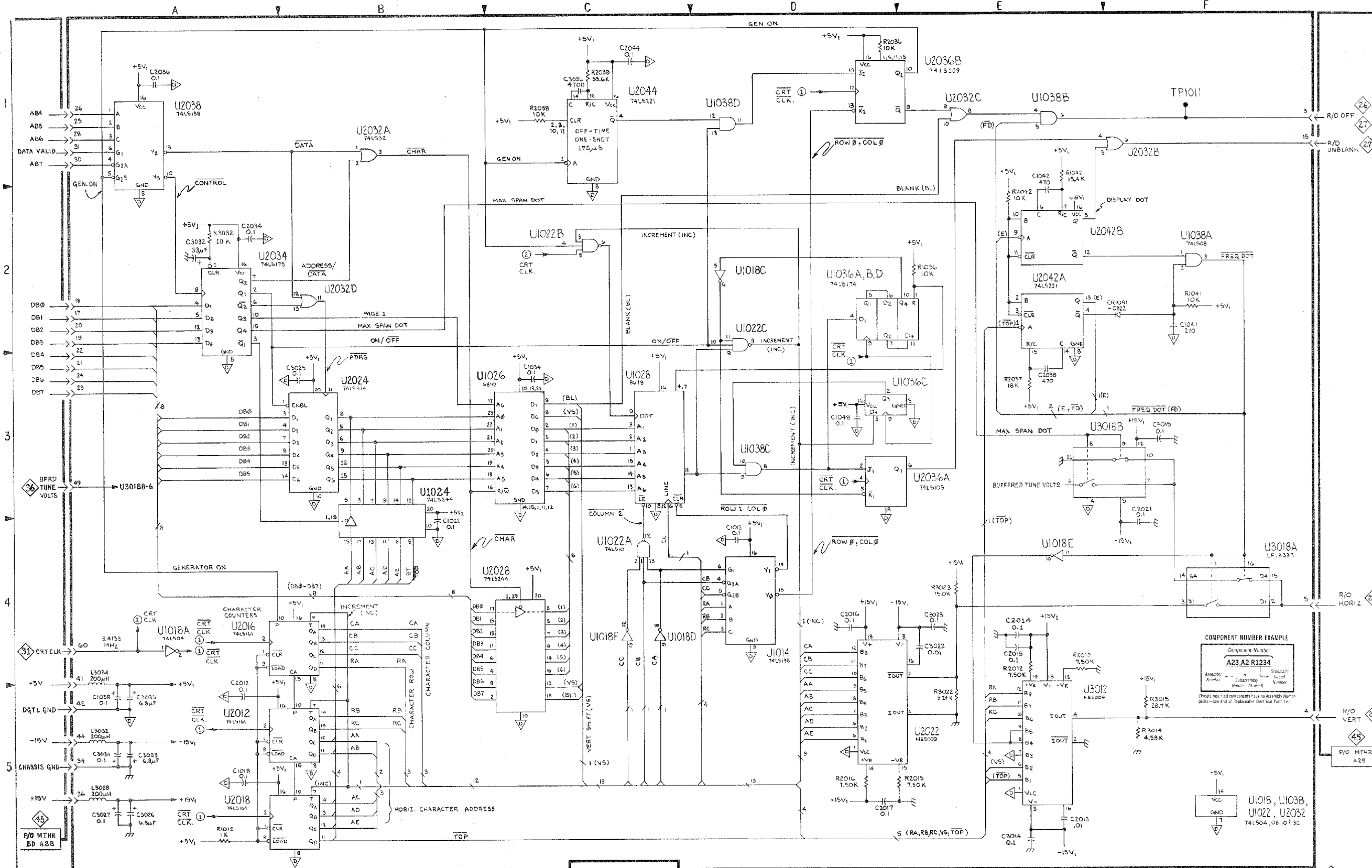
Chassis-mounted components have no Assembly Number prefix—see end of Replaceable Electrical Parts List.

CRT Readout DIAGRAM

ASSEMBLY A66

CIRCUIT NUMBER	SCHEM LOCATION	BOARD LOCATION	CIRCUIT NUMBER	SCHEM LOCATION	BOARD LOCATION	CIRCUIT NUMBER	SCHEM LOCATION	BOARD LOCATION
C1012	D4	A1	L3028	A5	B3	U1022C	D2	B1
C1018	A5	A2	L3032	A5	C3	U1024	B3	B1
C1022	B4	B1	L3034	A5	C3	U1026	C3	B1
C1034	C3	C1				U1026	C3	B1
C1038	A5	C1	R1012	A5	A1	U1028	C3	C1
C1041	F2	D1	R1036	E2	C1	U1036C	E3	C1
C1042	E1	D1	R1041	F2	D1	U1038A	F2	C1
C1048	D3	D1	R1042	E1	D1	U1038B	F1	C1
C2012	A5	A2	R2012	E4	A2	U1038C	D3	C1
C2013	E5	A2	R2013	E4	A2	U1038D	D1	C1
C2014	E4	A2	R2015	E5	A2	U2012	A5	A2
C2015	E4	A2	R2016	D5	A2	U2016	A4	A2
C2016	D4	A2	R2036	D1	C2	U2018	A5	B2
C2017	D5	A2	R2037	E3	C2	U2022	E5	B2
C2034	A2	C2	R2038	C1	C2	U2024	B3	B2
C2036	A1	C2	R2039	C1	D3	U2028	C4	B2
C2038	E3	C2	R2042	E2	D2	U2032A	B1	C2
C2044	C1	D2	R3014	F5	A3	U2032B	F1	C2
C3014	E5	A3	R3015	F5	A3	U2032C	E1	C2
C3015	F3	A3	R3022	E5	B3	U2032D	B2	C2
C3021	F3	B3	R3023	E4	B3	U2034	A2	C2
C3022	E4	B3	R3032	A2	C3	U2036A	E3	C2
C3023	E4	B3				U2036B	E1	C2
C3025	B3	B3	TP1011	F1	A1	U2038	A1	C2
C3026	A5	B3				U2042A	E2	D2
C3027	A5	B3	U1014	D4	A1	U2042B	E2	D2
C3031	A5	C3	U1018A	A4	B1	U2044	C1	D2
C3032	A2	C3	U1018C	D2	B1	U3012	E5	A3
C3033	A5	C3	U1018D	C4	B1	U3018A	F4	A3
C3035	A5	C3	U1018E	E4	B1	U3018B	F3	A3
C3036	C1	C3	U1018F	C4	B1	U1036AB		
			U1022A	C4	B1			
CR1041	F2	D1	U1022B	C2	B1			

CRT



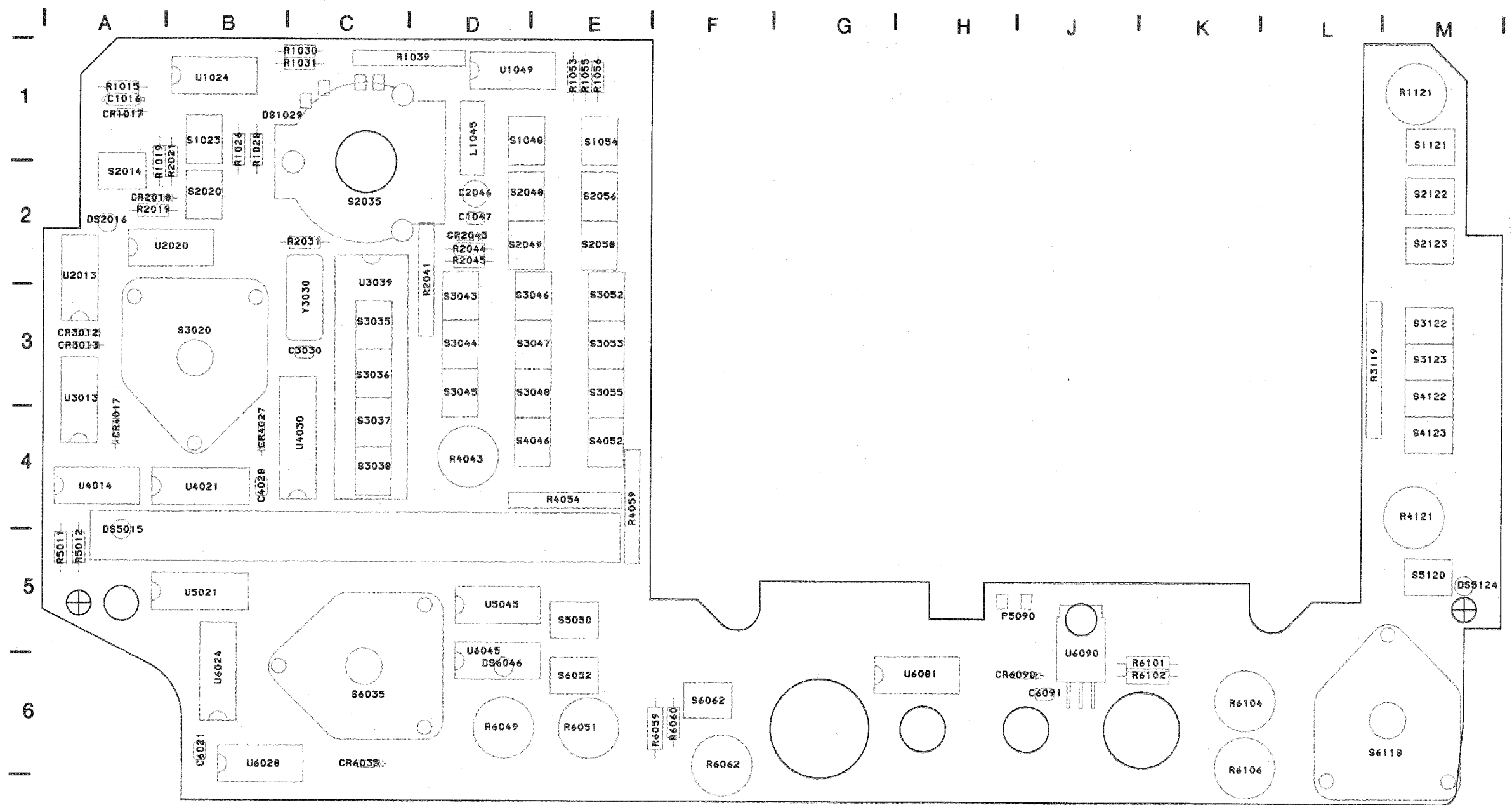
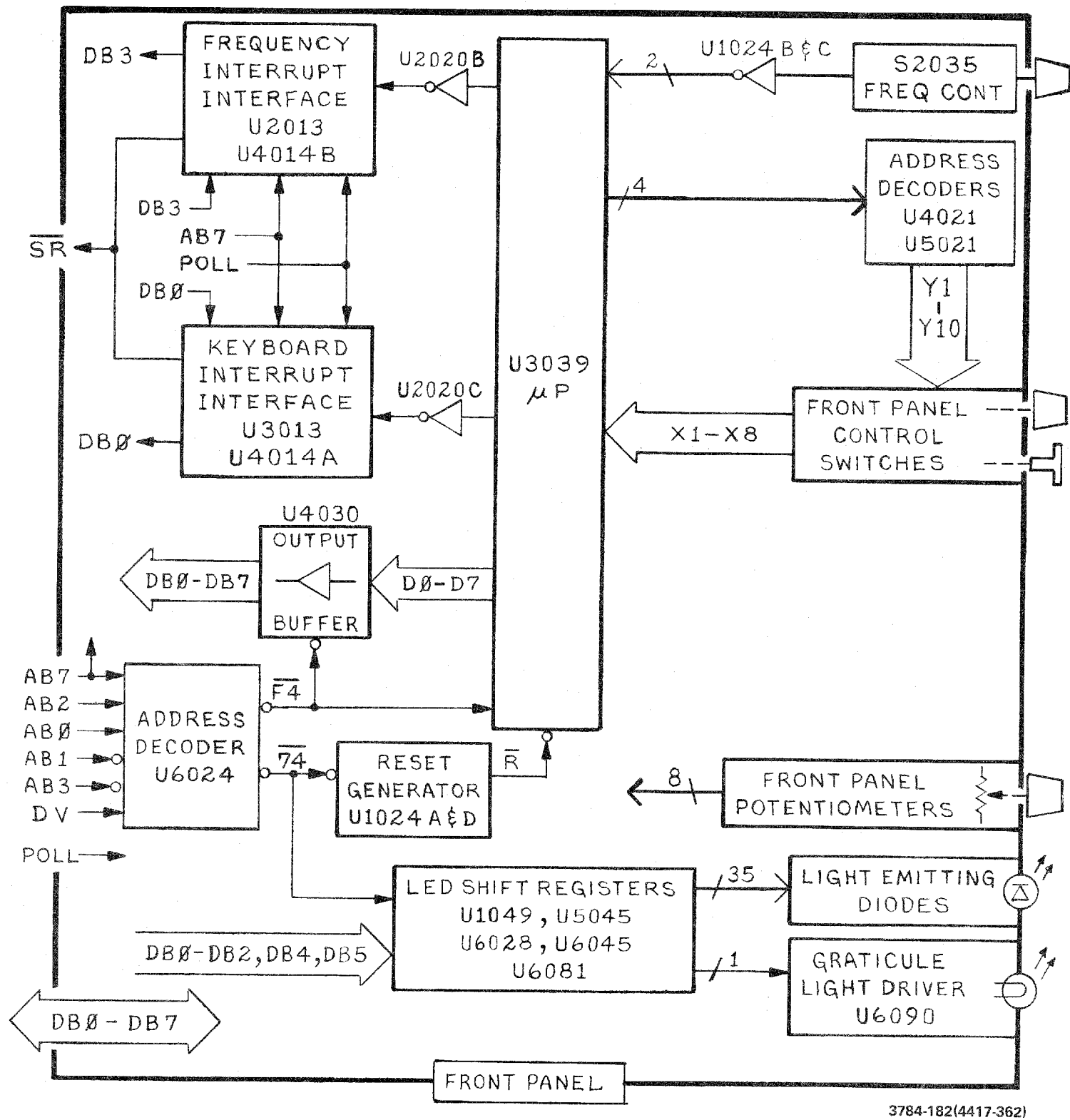
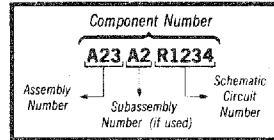


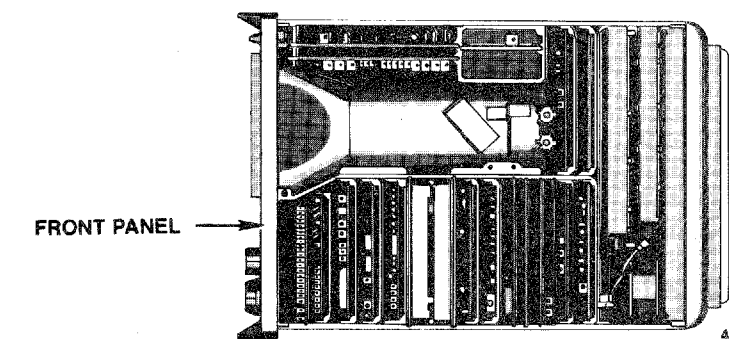
Fig. 8-30A. A38—Front Panel circuit board (SN B054245 & UP).

COMPONENT NUMBER EXAMPLE



Chassis mounted components have no Assembly Number prefix—see end of Replaceable Electrical Parts List.

REV JUN 1984

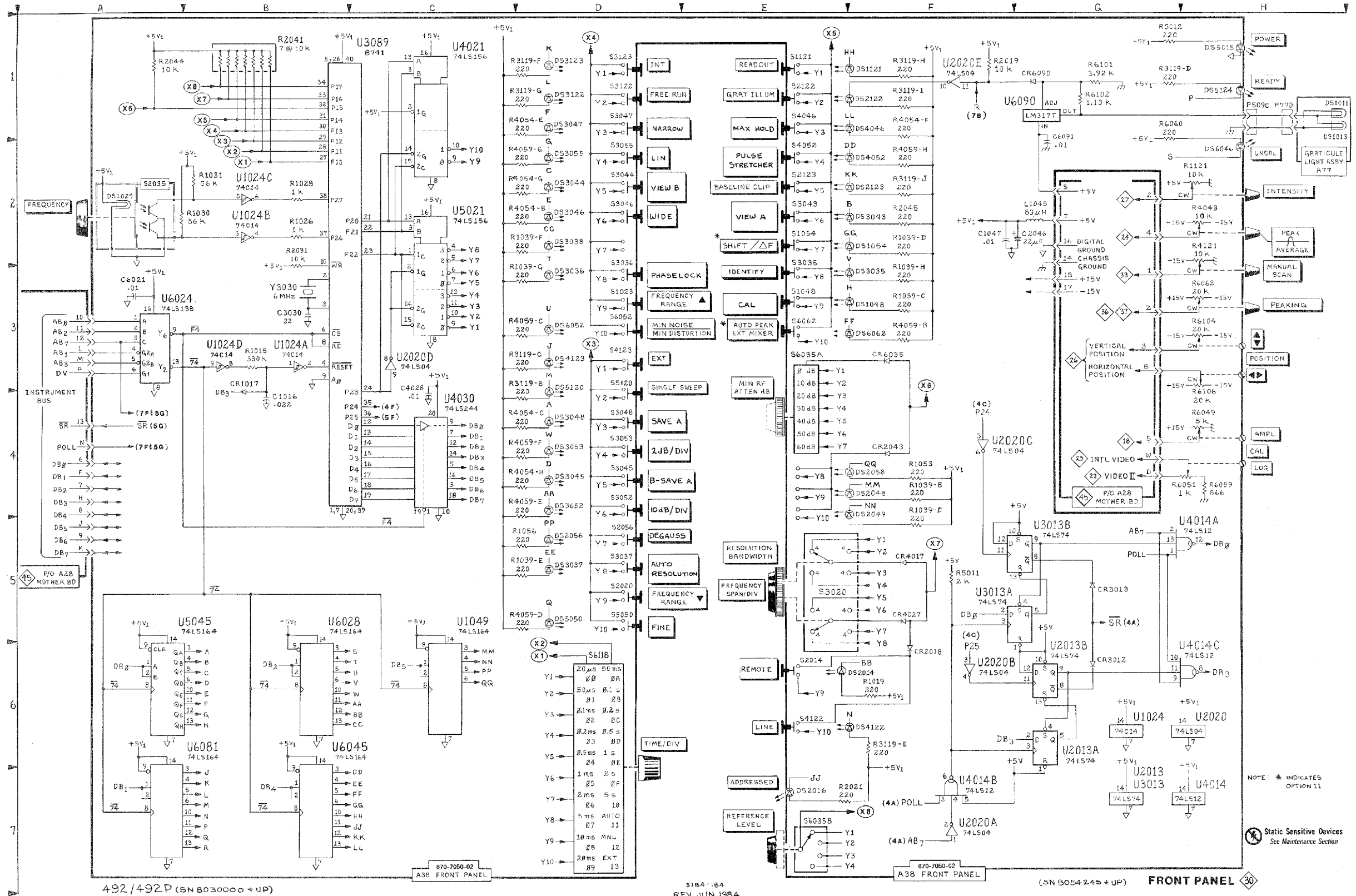


FRONT PANEL (SN B054245 & UP)

DIAGRAM 43

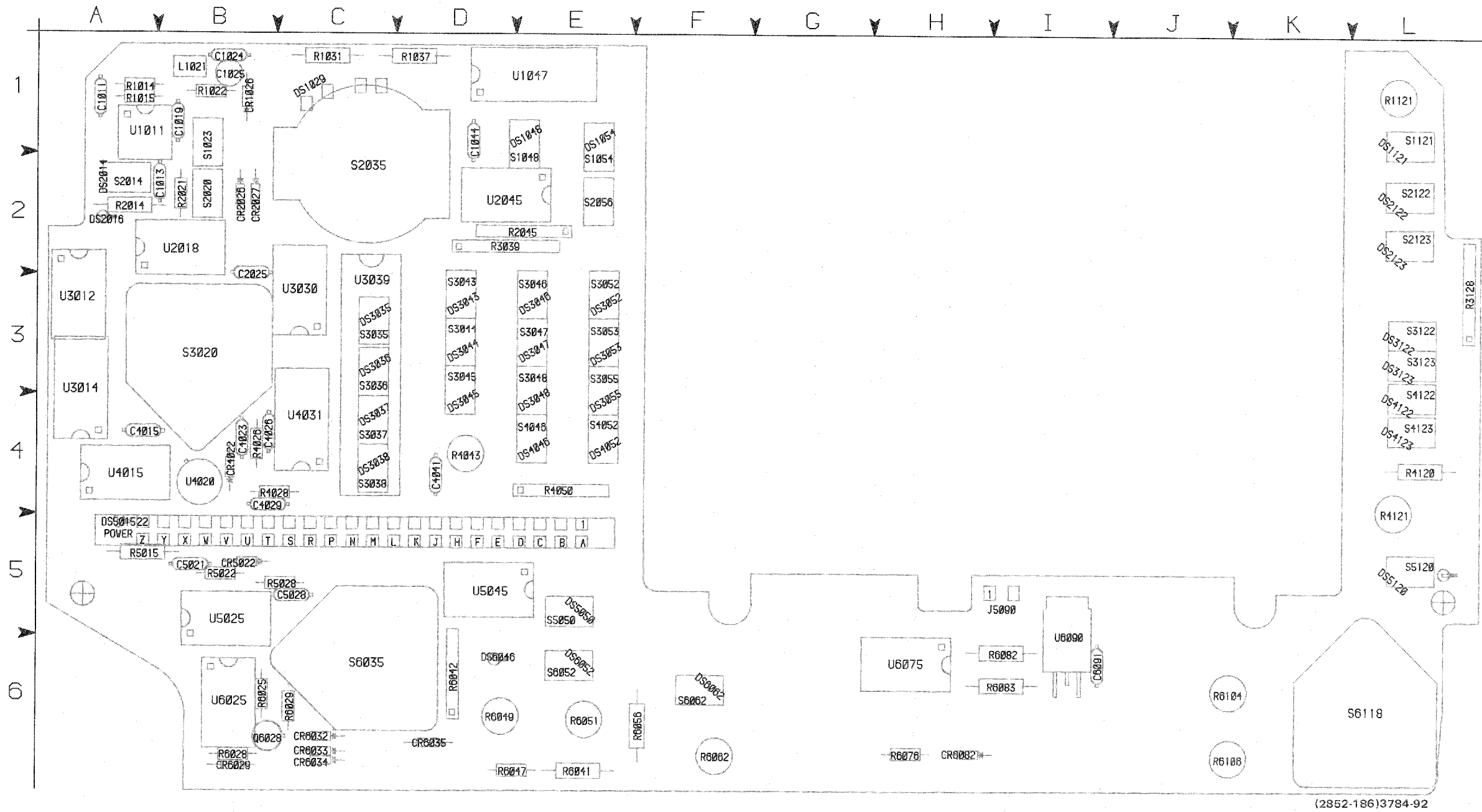
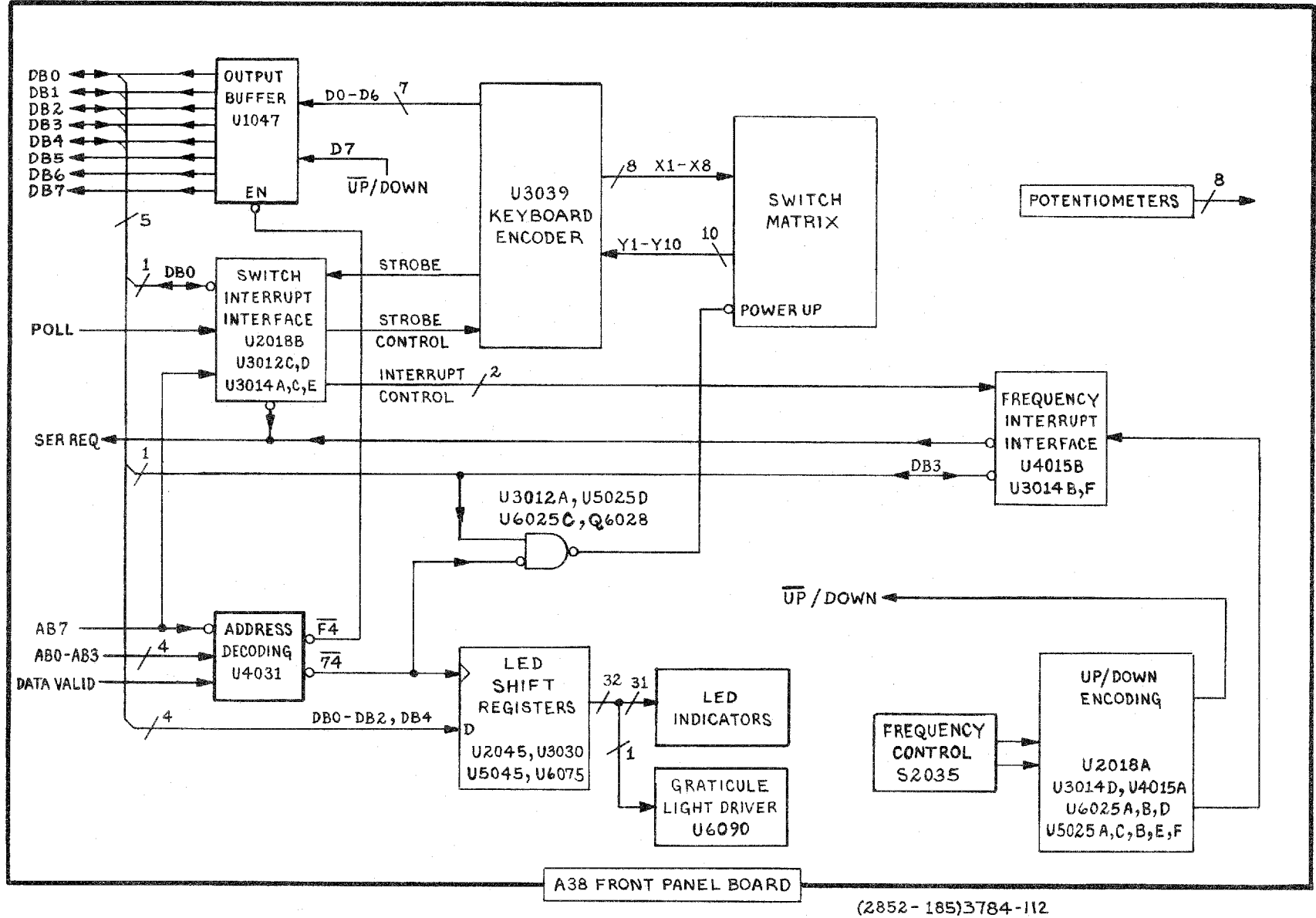
ASSEMBLY A38

CIRCUIT NUMBER	SCHEM LOCATION	BOARD LOCATION	CIRCUIT NUMBER	SCHEM LOCATION	BOARD LOCATION	CIRCUIT NUMBER	SCHEM LOCATION	BOARD LOCATION	CIRCUIT NUMBER	SCHEM LOCATION	BOARD LOCATION
C1016	B4	A1	DS5050	D5	E5	R4059C	D3	B4	S3123	D1	M3
C1047	F2	D2	DS5120	D4	L5	R4059D	D5	B4	S4046	E1	D4
C2046	G2	D2	DS5174	H1	M5	R4059E	D4	B4	S4052	E2	B4
C3030	B3	C3	DS6046	H2	D6	R4059F	D4	B4	S4112	E6	M3
C4028	C1	B4	DS6052	D3	E6	R4059G	D2	B4	S4123	D3	M4
C6021	A3	B6	DS6062	F3	F6	R4059H	F2	B4	S5050	D5	E5
C6091	F1	J6				R4121	H2	M4	S5120	D4	M5
			L1045	G2	D1	R5011	F5	A5	S6035A	E3	C6
CR1017	B4	A1				R5012	G1	A5	S6035B	E7	C6
CR2018	F6	A2	P5090	H1	J5	R6049	H4	D6	S6052	D3	E6
CR2043	F4	D2				R6051	H4	E6	S6062	E3	F6
CR3012	G6	A3				R6060	G1	F6	S6118	D6	M6
CR3013	G5	A3	R1015	B3	A1	R6062	H3	F6			
CR4017	F5	A4	R1019	E7	A2	R6101	G1	K6	U1024A	B3	B1
CR4027	F5	B4	R1026	B2	B1	R6102	G1	K6	U1024B	B2	B1
CR6035	F3	C6	R1028	B2	B1	R6104	H3	L6	U1024C	B2	B1
CR6090	G1	J6	R1030	A2	C1	R6106	H3	L6	U1024D	B3	B1
			R1031	B2	C1				U1024	G6	B1
DS1028	A2	B1	R1039B	F4	D1	R3119C	D3	L3	U1049	C6	D1
DS1048	F3	D1	R1039C	F3	D1	R4054E	D1	E4	U2013A	G6	A2
DS1054	F2	E1	R1039D	F2	D1	R6059	H4	F6	U2013B	G6	A2
DS1121	F1	L1	R1039E	D5	D1				U2013	G7	A2
DS2014	E6	A2	R1039F	D2	D1	S1023	D3	B1	U2020A	F7	B2
DS2016	E7	A2	R1039G	D3	D1	S1048	E3	D1	U2020B	F6	B2
DS2056	D5	E2	R1039H	F3	D1	S1054	E2	E1	U2020C	F4	B2
DS2122	F1	L2	R1053	F4	E1	S1121	E1	M1	U2020D	C3	B2
DS2123	F2	L3	R1055	F2	E1	S2014	E6	A2	U2020E	F1	B2
DS3035	F3	C3	S2020	D5	E1	S2020	D5	B2	U2020	H6	B2
DS3036	D3	C3	R1121	H2	M1	S2035	A2	C2	U3013A	G5	A3
DS3037	D5	C4	R2019	F1	A2	S2056	D5	E2	U3013B	G5	A3
DS3043	F2	D3	R2021	E7	B2	S2122	E1	M2	U3013	G7	A3
DS3044	D2	D3	R2031	B3	C2	S2123	E2	M2	U4014A	H5	A4
DS3045	D4	D3	R2041	B1	D2	S3020	E5	B3	U4014B	F7	A4
DS3046	D2	D3	R2044	A1	D2	S3035	E3	C3	U4014C	H6	A4
DS3047	D1	D3	R2045	F2	D2	S3036	D3	C3	U4014	H7	A4
DS3048	D4	D3	R3119D	G1	L3	S3037	D5	C4	U4021	C1	B4
DS3052	D4	D3	R3119E	F6	L3	S3043	E2	D3	U4030	C4	C4
DS3053	D4	E3	R3119F	F1	L3	S3044	D2	D3	U5021	C2	B5
DS3055	D2	E3	R3119G	D1	L3	S3045	D4	D3	U5045	A6	D5
DS3122	D1	L3	R3119H	F1	L3	S3046	D2	D3	U6024	A3	B6
DS3123	D1	L3	R3119I	F1	L3	S3047	D1	D3	U6028	B6	B6
DS4046	F1	D4	R3119J	F2	L3	S3048	D4	D3	U6045	B7	D5
DS4052	F2	E4	R3199B	D4	L3	S3052	D4	E3	U6081	A7	H6
DS4122	F6	L3	R4043	H2	D4	S3053	D4	E3	U6090	G1	J5
DS4123	D3	L4	R4054B	D2	B4	S3055	D2	E3	Y3030	B3	C9
DS5015	H1	A5	R4054C	D4	B4	S3122	D1	M3			
			R4054F	F1	B4						
			R4054G	D2	B4						
			R4054H	D4	B4						
			R4059B	D4	B4						
			R4059H	F3	B4						



FRONT PANEL (SN B054245 & UP) 30

NOTE: * INDICATES OPTION 11
Static Sensitive Devices See Maintenance Section

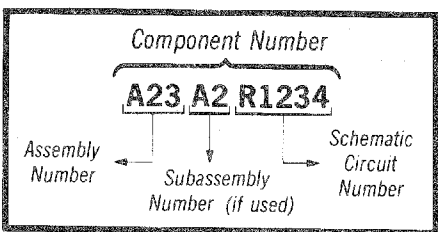


BLOCK DIAGRAM (FRONT PANEL) & CKT BD ILLUSTRATION (SN B054244 & BELOW)

Fig. 8-30B. A38—Front Panel circuit board (SN B054244 & Below).

Static Sensitive Devices See Maintenance Section

COMPONENT NUMBER EXAMPLE



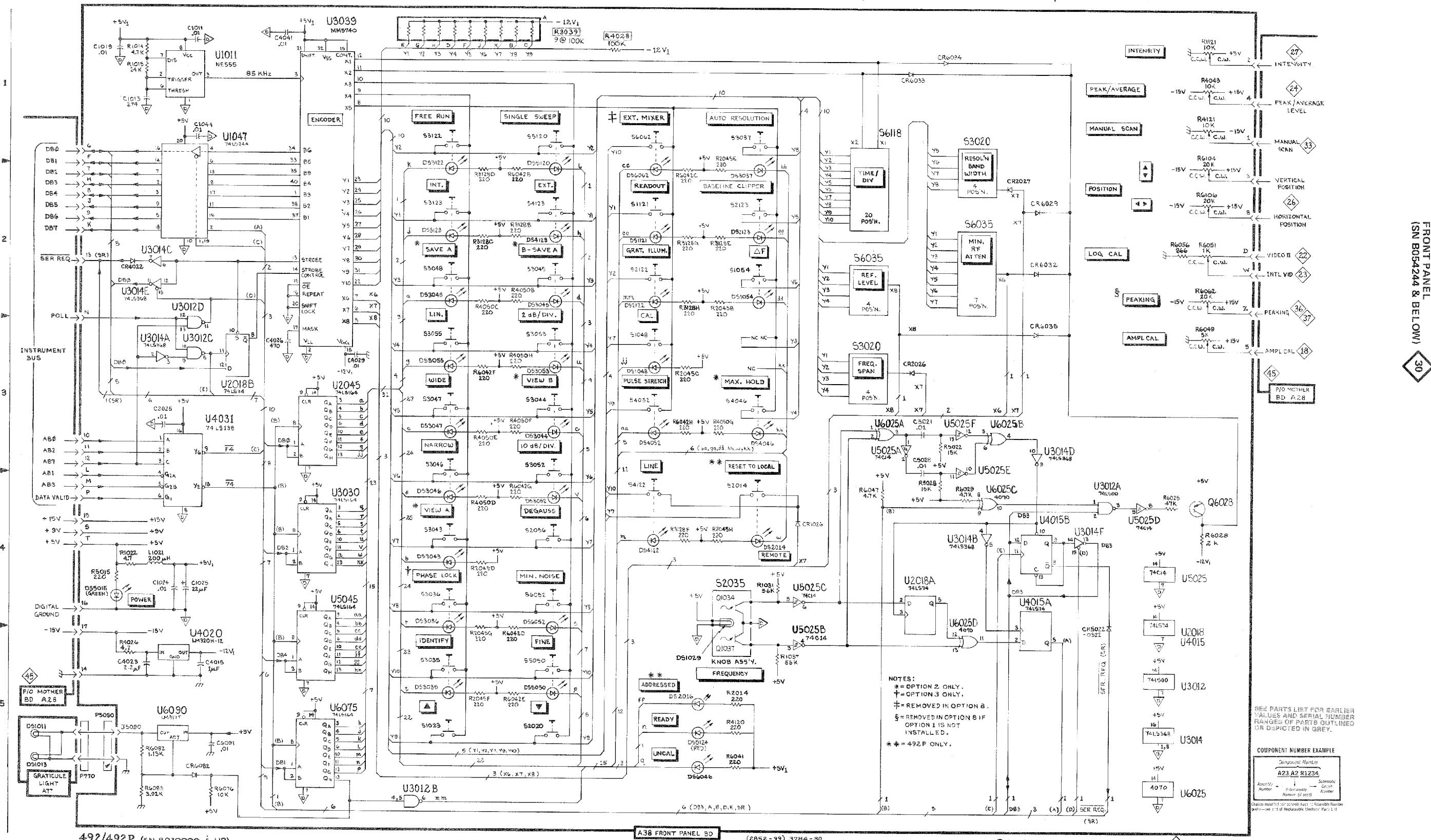
Chassis-mounted components have no Assembly Number prefix—see end of Replaceable Electrical Parts List.

Front Panel DIAGRAM 30

ASSEMBLY A38

Front Panel

CIRCUIT NUMBER	SCHEM LOCATION	BOARD LOCATION	CIRCUIT NUMBER	SCHEM LOCATION	BOARD LOCATION	CIRCUIT NUMBER	SCHEM LOCATION	BOARD LOCATION	CIRCUIT NUMBER	SCHEM LOCATION	BOARD LOCATION
C1011	A1	A1	DS3123	B2	L3	R4120	D5	L4	S3055	B3	E3
C1013	A1	B2	DS4046	D3	E4	R4121	F1	L4	S3122	B1	L3
C1019	A1	B1	DS4052	C3	F4	R5015	A4	A5	S3123	B2	L3
C1024	A4	B1	DS4122	D4	L3	R5022	E3	B5	S4046	D3	E4
C1025	A4	B1	DS4123	C2	L3	R5028	F4	B5	S4052	C3	E4
C1044	A1	D1	DS5015	A4	A5	R6025	F4	B6	S4122	C4	L3
C2025	A3	B2	DS5050	C5	E5	R6028	F4	B6	S4123	C2	L3
C4015	A5	A4	DS5120	C2	L5	R6029	E4	B6	S5050	C5	E5
C4023	A5	B4	DS6046	D5	D6	R6041	D5	E6	S5120	C1	L4
C4026	B3	B4	DS6052	C4	E6	R6042B	C2	D6	S6035	E2	C6
C4029	B3	B4	DS6062	C2	F6	R6042C	D2	D6	S6052	C4	E6
C4041	A1	D4				R6042D	C5	D6	S6062	C1	F6
C5021	E3	B5	J5090	A5	H5	R6042E	C5	D6	S6118	E1	L6
C5028	E3	C5				R6042F	C3	D6			
C6091	A5	I5	L1021	A4	B1	R6042G	C4	D6	U1011	A1	A1
						R6042H	D3	D6	U1047	A1	E1
CR1026	D4	B1	Q602B	F4	B6	R6047	E4	D6	U2018	F4	B2
CR2026	E3	B2				R6049	F3	D6	U2018A	E4	B2
CR2027	E2	B2	R1014	A1	A1	R6051	F2	E6	U2018B	A3	B2
CR4022	A2	B4	R1015	A1	A1	R6056	F2	E6	U2045	B3	D2
CR5022	F4	B5	R1022	A4	B1	R6062	F2	F6	U3012A	F4	A3
CR6029	F2	B6	R1031	D4	C1	R6076	A5	H6	U3012B	B5	A3
CR6032	F2	C6	R1037	D6	D1	R6082	A5	H5	U3012C	A3	A3
CR6033	E1	C6	R1121	F1	L1	R6083	A5	H6	U3012D	A2	A3
CR6033	E1	C6	R2014	D5	A2	R6104	F1	J6	U3014A	A3	A3
CR6034	E1	C6	R2045B	D2	E2	R6106	F2	J6	U3014B	F4	A3
CR6035	F2	D6	R2045C	D3	E2				U3014C	A2	A3
CR6082	A5	H6	R2045D	C4	E2	S1023	B5	B1	U3014D	F3	A3
			R2045E	D1	E2	S1048	C3	E1	U3014E	A2	A3
DS1029	D4	C1	R2045F	C5	E2	S1054	D2	E1	U3014F	F4	A3
DS1048	C3	E1	R2045G	C5	E2	S1121	C2	L1	U3030	B4	C3
DS1054	D2	E1	R2045H	D4	E2	S2014	D4	A2	U3039	B1	C2
DS1121	C2	L1	R3039	C1	D2	S2020	C5	B2	U4015A	E4	A4
DS2014	D4	A2	R3128B	C2	L2	S2035	D4	C2	U4015B	F4	A4
DS2016	D5	A2	R3128C	C2	L2	S2056	C4	E2	U4020	A5	B4
DS2122	C2	L2	R3128D	C2	L2	S2122	C2	L2	U4031	A3	C4
DS2123	D2	L2	R3128E	D2	L2	S2123	D2	L2	U5025	F4	B5
DS3035	B5	C3	R3128F	D4	L2	S3020	E1	B3	U5025A	E3	B5
DS3036	B4	C3	R3128G	D2	L2	S3020	E3	B3	U5025B	D5	B5
DS3037	D2	C4	R3128H	D2	L2	S3035	B5	C3	U5025C	D4	B5
DS3043	B4	D3	R4026	A5	B4	S3036	B4	C3	U5025D	F4	B5
DS3044	C3	D3	R4028	C1	B4	S3037	D1	C4	U5025E	E3	B5
DS3045	C2	D3	R4043	F1	D4	S3043	B4	D2	U5025F	E3	B5
DS3046	B4	E3	R4050B	C2	F4	S3044	C3	D3	U5045	B4	D5
DS3047	B3	E3	R4050C	C2	E4	S3045	C2	D3	U6025A	E3	B6
DS3048	B2	E3	R4050D	C4	E4	S3046	B3	E2	U6025B	E3	B6
DS3052	C4	E3	R4050E	C3	E4	S3047	B3	E3	U6025C	F4	B6
DS3053	C3	E3	R4050F	C3	E4	S3048	B2	E3	U6025D	E4	B6
DS3055	B3	E3	R4050G	D3	F4	S3052	C3	E2	U6075	B5	H5
DS3122	B2	L3	R4050H	C3	E4	S3053	C3	E3	U6090	A5	I5



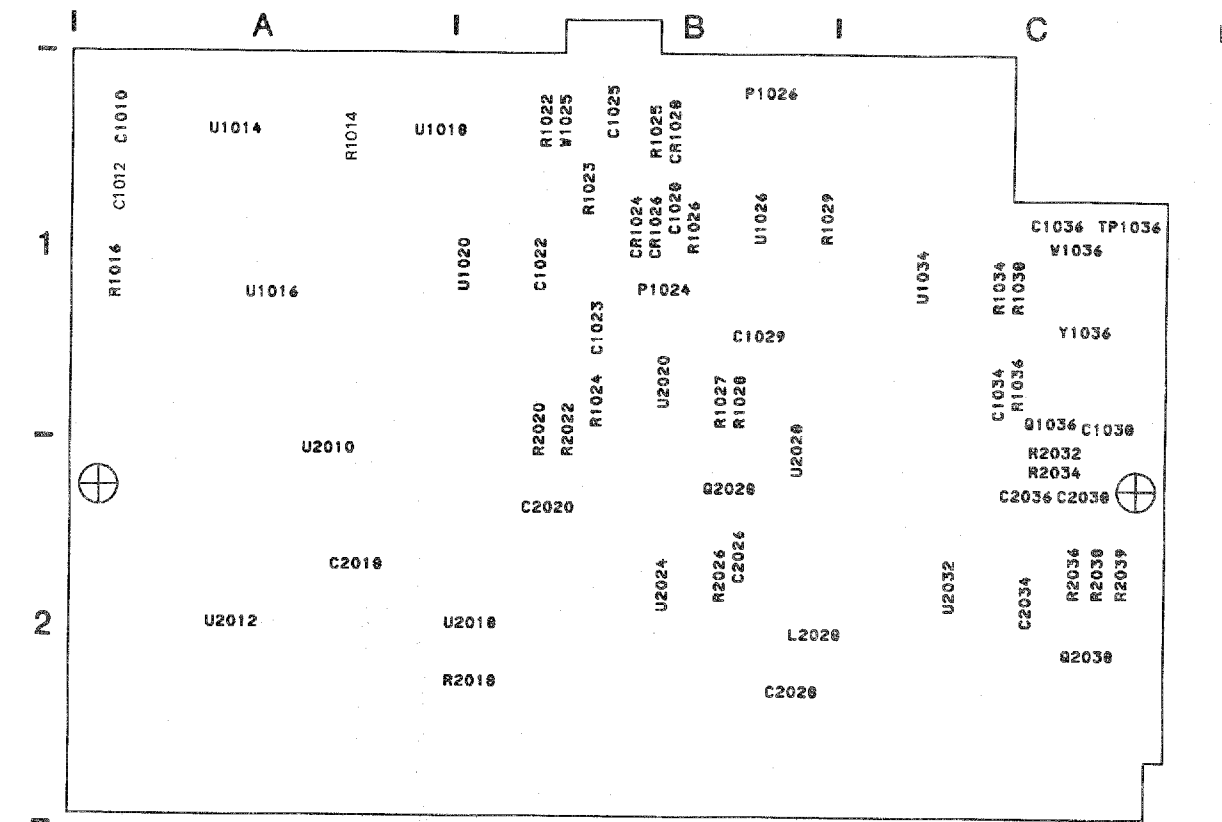


Fig. 8-31A A58 Processor Circuit Board (SN B054830 & Up).

3784-192

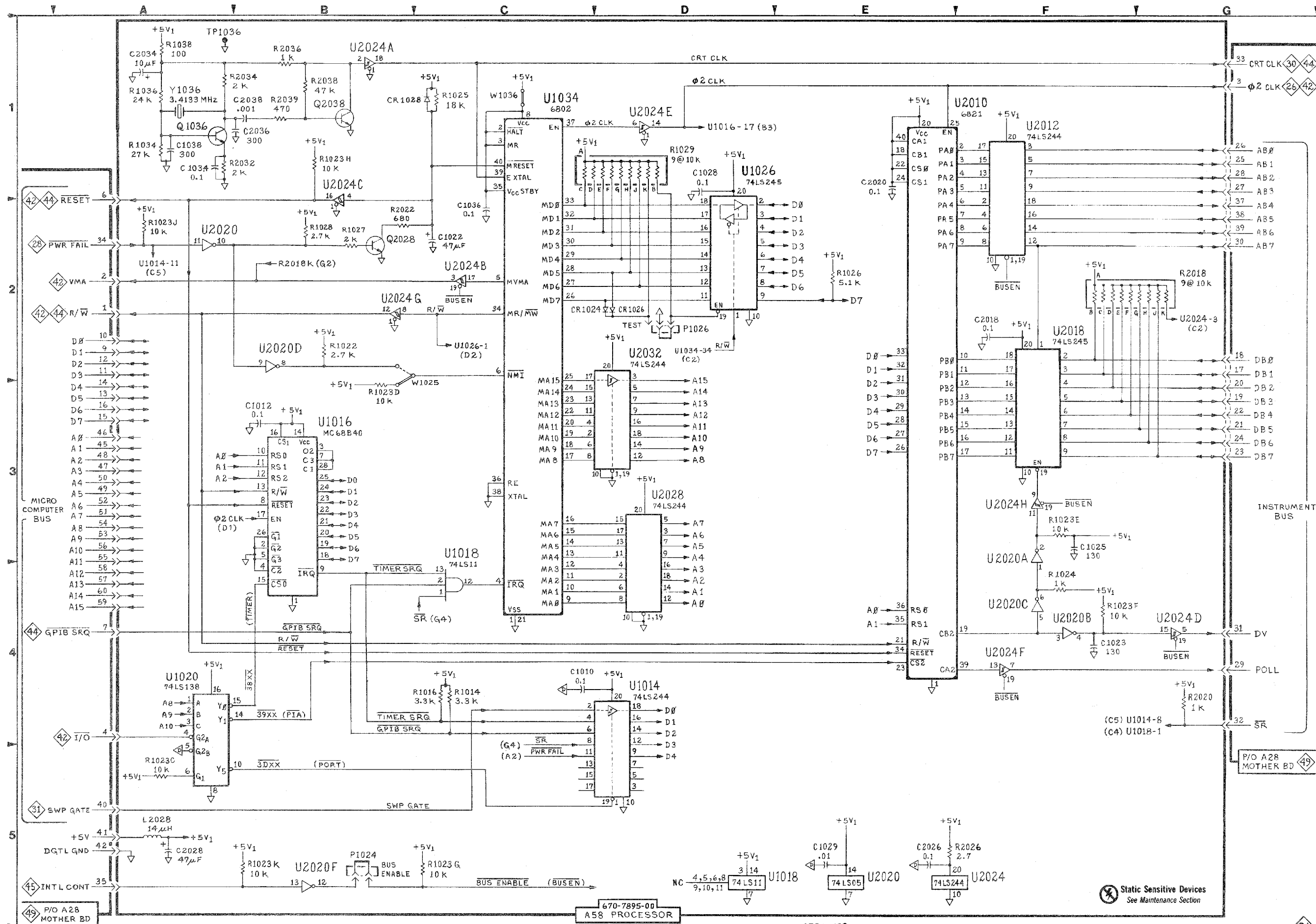
PROCESSOR CKT BD
(SN B054830 & UP)

PROCESSOR
(SN B054830 & Up)

DIAGRAM 31

ASSEMBLY A58

CIRCUIT NUMBER	SCHEM LOCATION	BOARD LOCATION	CIRCUIT NUMBER	SCHEM LOCATION	BOARD LOCATION	CIRCUIT NUMBER	SCHEM LOCATION	BOARD LOCATION	CIRCUIT NUMBER	SCHEM LOCATION	BOARD LOCATION
C1010	C4	A1	Q1036	A1	C1	R2020	G4	B2	U2020B	F4	B1
C1012	B3	A1	Q2028	B2	B2	R2022	B2	B2	U2020C	F4	B1
C1022	C2	B1	Q2038	B1	C2	R2026	E5	B2	U2020D	B2	B1
C1023	F4	B1				R2032	A1	C2	U2020E	A2	B1
C1025	F3	B1	R1014	C4	A1	R2034	A1	C2	U2020F	B5	B1
C1028	D1	B1	R1016	C4	A1	R2036	B1	C2	U2020G	E5	B1
C1029	E5	B1	R1022	B2	B1	R2038	B1	C2	U2024A	B1	B2
C1034	A1	C1	R1023C	A5	B1	R2039	B1	C2	U2024B	C2	B2
C1036	C2	C1	R1023D	B3	B1				U2024C	B2	B2
C1038	A1	C1	R1023E	F3	B1				U2024D	G4	B2
C2018	F2	A2	R1023F	F4	B1				U2024E	D1	B2
C2020	E1	B2	R1023G	C5	B1				U2024F	F4	B2
C2026	E5	B2	R1023H	B1	B1				U2024G	B2	B2
C2028	A5	B2	R1023J	A2	B1				U2024H	F3	B2
C2034	A1	C2	R1023K	B5	B1				U2024	E5	B2
C2036	B1	C2	R1024	F4	B1				U2028	D3	B2
C2038	B1	C2	R1025	C1	B1				U2032	D3	C2
			R1026	E2	B1				W1025	C2	B1
CR1024	D2	B1	R1027	B2	B1				W1036	C1	C1
CR1026	D2	B1	R1028	B2	B1						
CR1028	C1	B1	R1029	D1	B1				Y1036	A1	C1
			R1034	A1	C1						
L2028	A5	B2	R1036	A1	C1						
P1024	B5	B1	R1038	A1	C1						
P1026	D2	B1	R2018	G2	B2						
			R2018K	B2	B2						



Static Sensitive Devices
See Maintenance Section

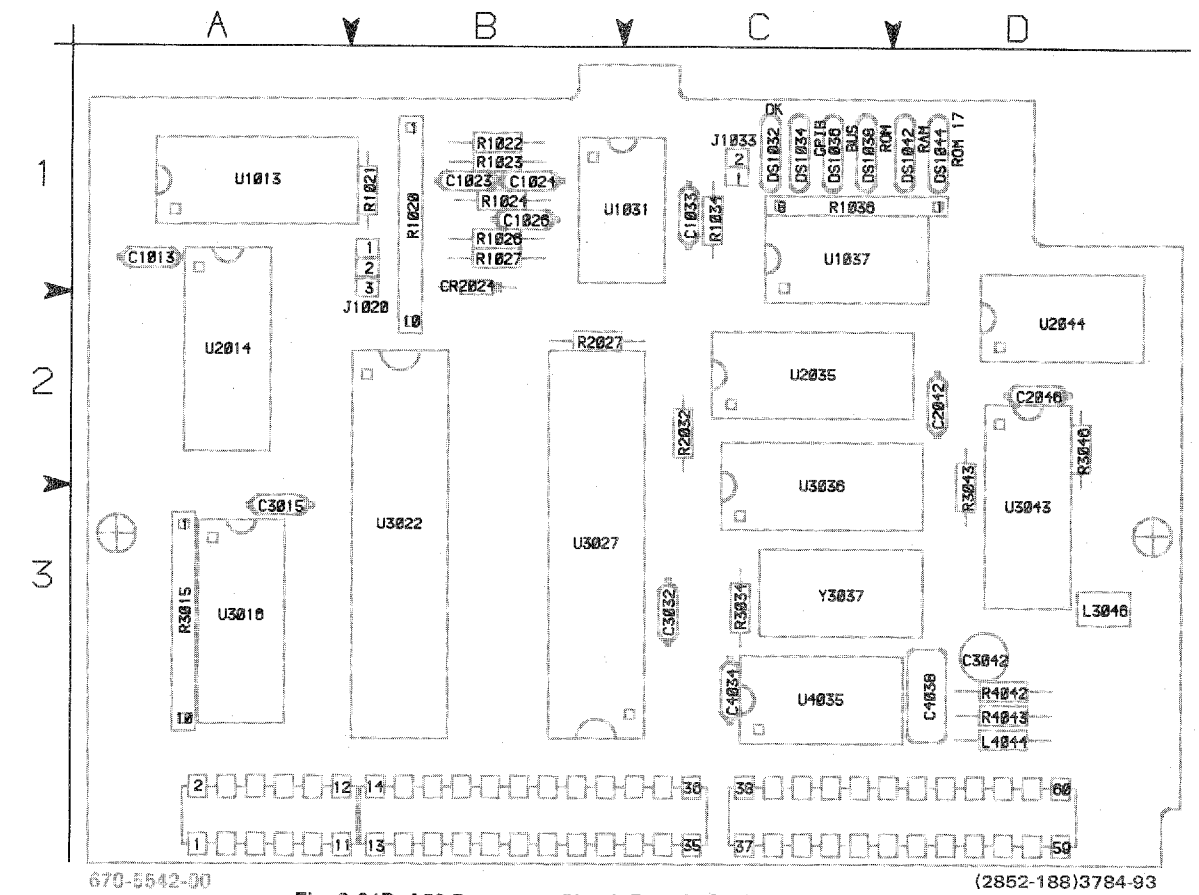
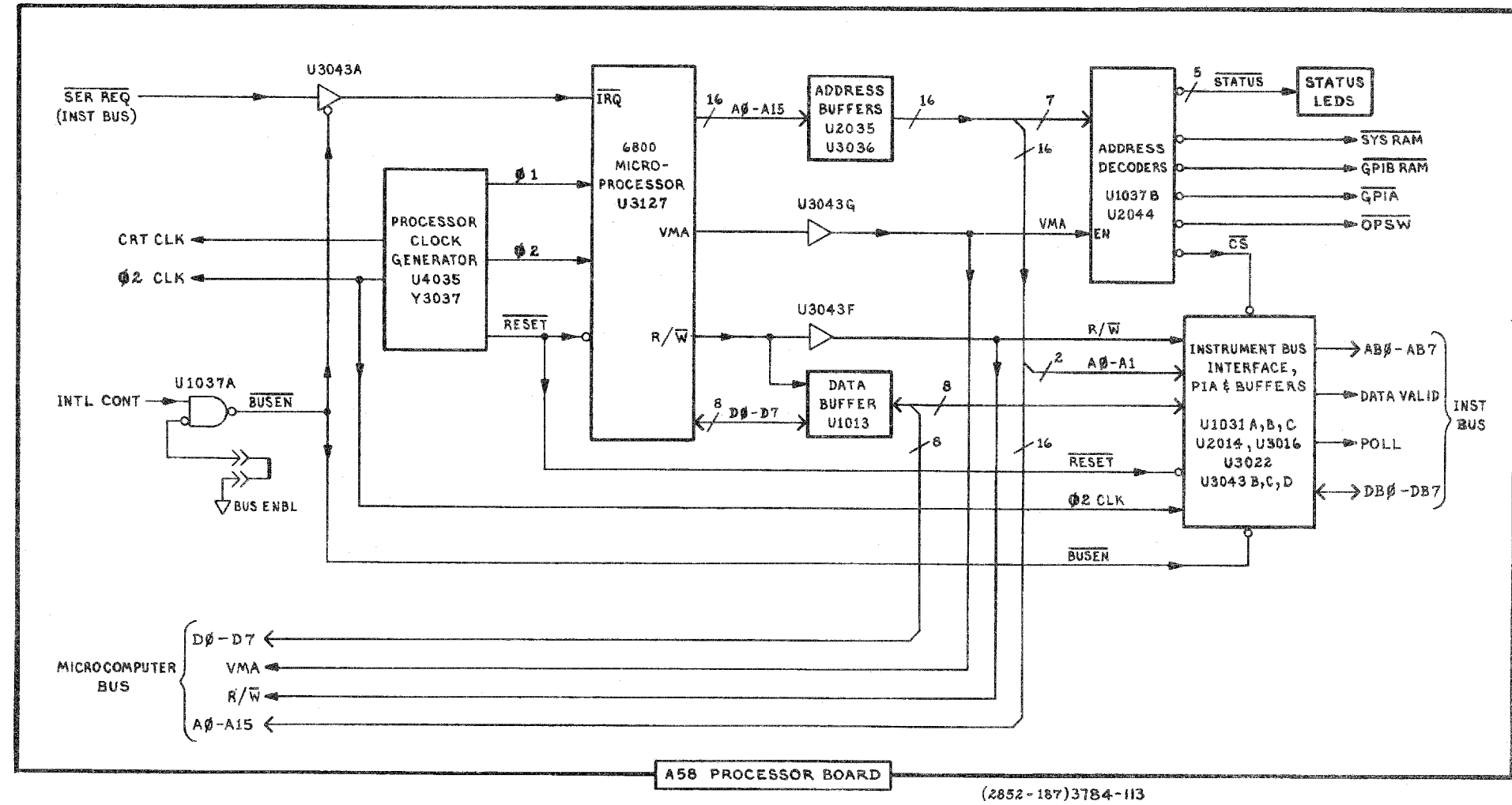
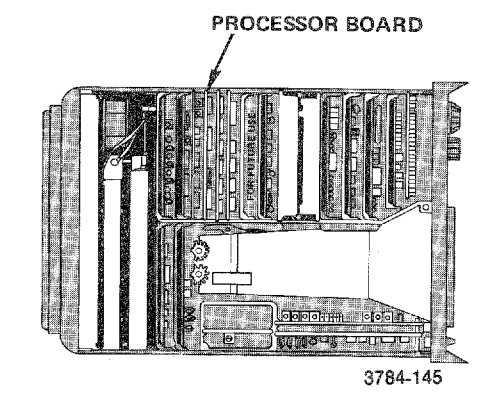
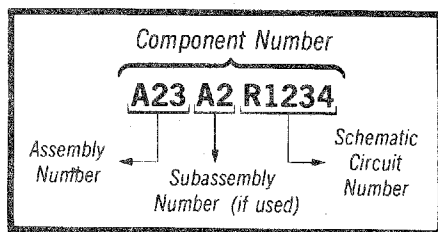


Fig. 8-31B A58 Processor Circuit Board (SN B054829 & Below).



Static Sensitive Devices
See Maintenance Section

COMPONENT NUMBER EXAMPLE



Chassis-mounted components have no Assembly Number prefix—see end of Replaceable Electrical Parts List.

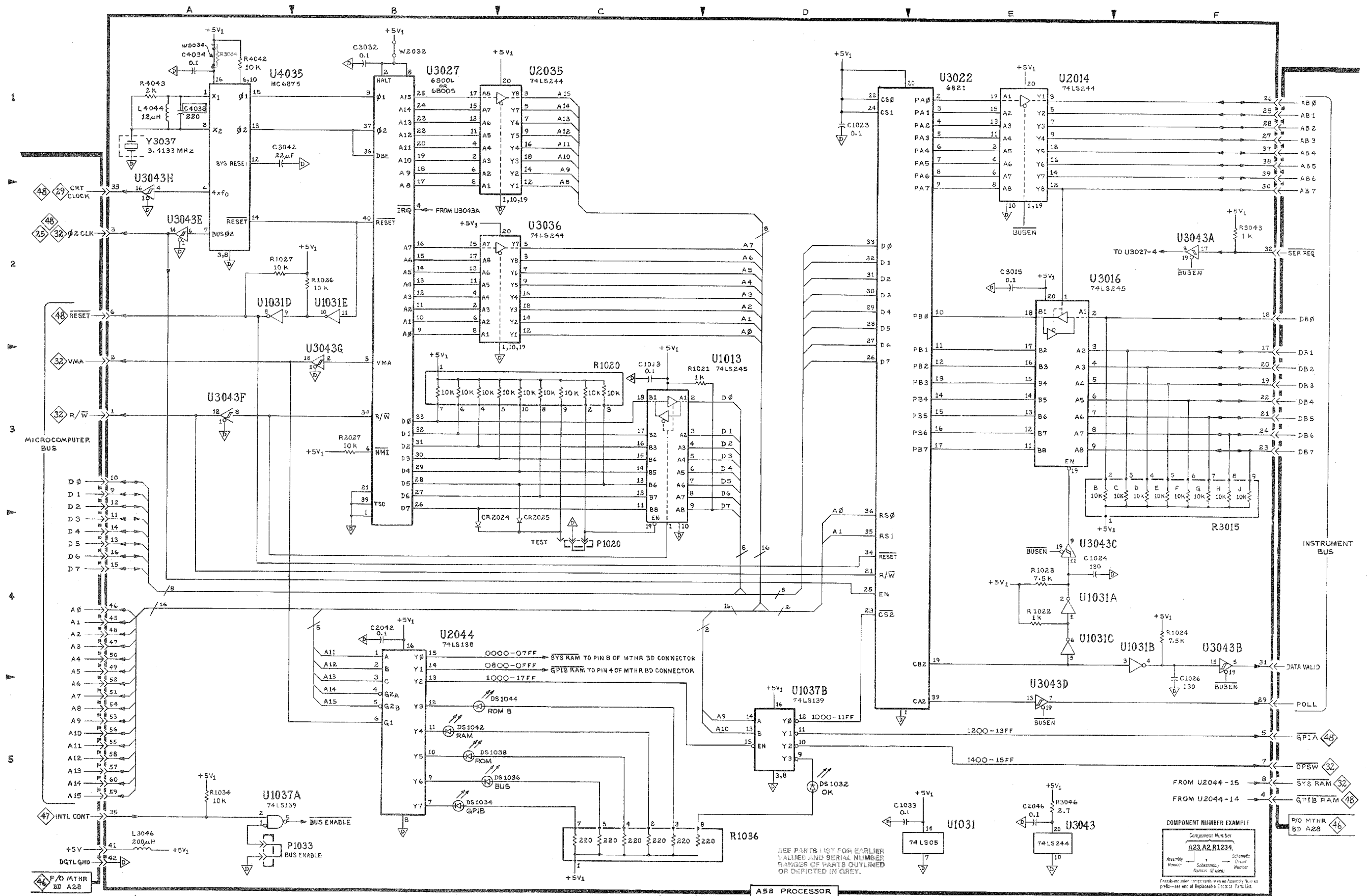
Processor DIAGRAM 31 (SN B054829 & Below)

ASSEMBLY A58

CIRCUIT NUMBER	SCHEM LOCATION	BOARD LOCATION	CIRCUIT NUMBER	SCHEM LOCATION	BOARD LOCATION	CIRCUIT NUMBER	SCHEM LOCATION	BOARD LOCATION
C1013	D1	A1	P1020	C4	B2	U1031C	E4	C1
C1023	C3	B1	P1033	A5	C1	U1031D	A2	C1
C1024	E4	B1	R1020	C3	B1	U1031E	A2	C1
C1026	F4	B1	R1021	C3	B1	U1037A	A5	C1
C1033	D5	C1	R1022	E4	B1	U1037B	D5	C1
C2042	B4	D2	R1023	F4	B1	U2014	A5	A2
C2046	A5	D2	R1024	F4	B1	U2044	B4	D2
C3015	E2	A3	R1026	A2	B1	U2035	C1	C2
C3032	B1	C3	R1027	A2	B1	U2044	B4	D2
C3042	A2	D3	R1034	A5	C1	U3016	E2	A3
C4034	A1	C3	R1036	C6	C1	U3022	E1	B3
C4038	A1	D3	R2027	B3	B2	U3027	B1	B3
CR2024	B3	B1	R2032	B1	C2	U3036	C2	C2
DS1032	D5	C1	R3015	F3	A3	U3043	A5	D2
DS1034	B5	C1	R3034*	A1	C3	U3043A	A2	D2
DS1036	B5	C1	R3043	A2	D2	U3043B	F4	D2
DS1038	B5	C1	R3046	A4	D2	U3043C	E4	D2
DS1042	B5	D1	R4042	A1	D3	U3043D	E2	D2
DS1044	B5	D1	R4043	A1	D3	U3043E	A2	D2
						U3043F	A3	D2
						U3043G	B3	D2
			U1013	C3	A1	U3043H	A2	D2
L3046	A5	D3	U1031	E5	C1	U4035	A1	C3
L4044	A1	D3	U1031A	E4	C1	Y3037	A1	C3
			U1031B	F4	C1			

Processor

*See Parts List for serial number ranges.



492/492P (SN B030000 & UP)

(2852-100) 3784-31

ASB PROCESSOR

REV MAR 1985

Static Sensitive Devices
See Maintenance Section

PROCESSOR 31
(SN B054829 & Below)

PROCESSOR
(SN B054829 & BELOW)

31

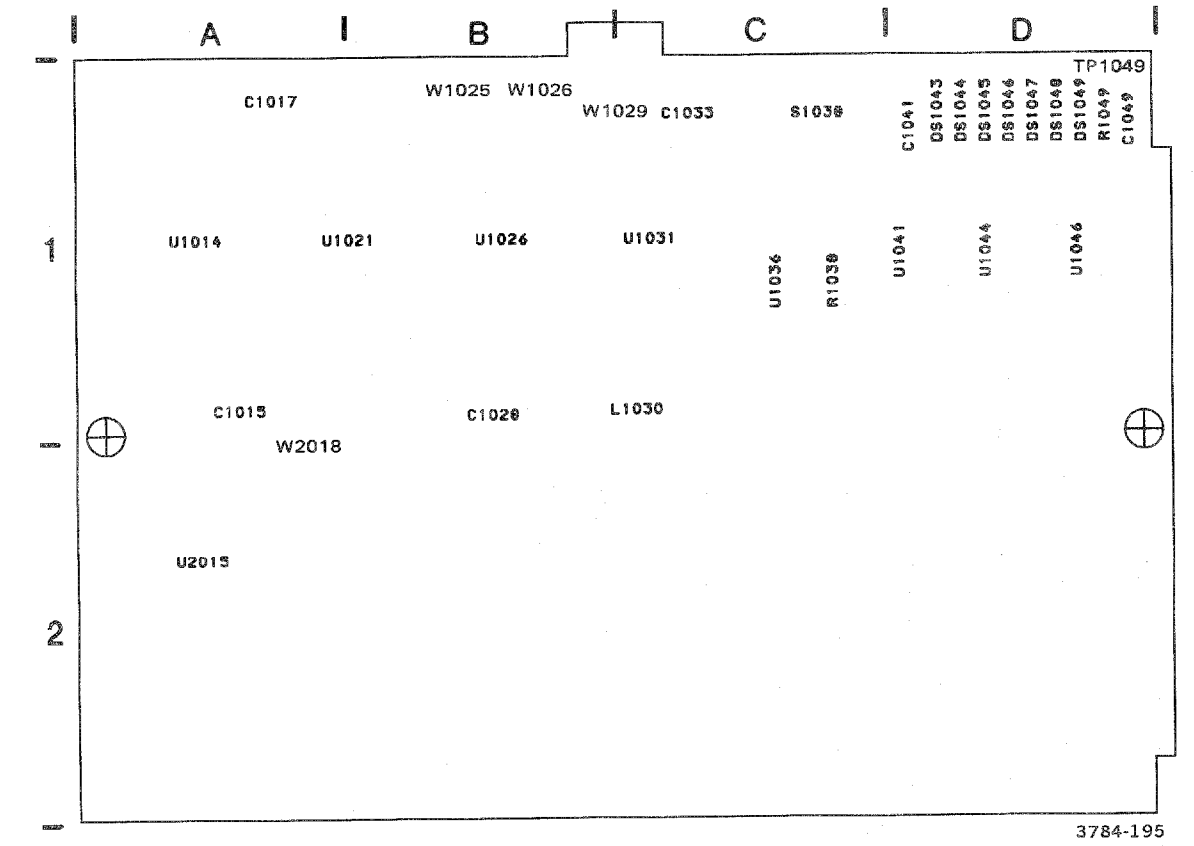


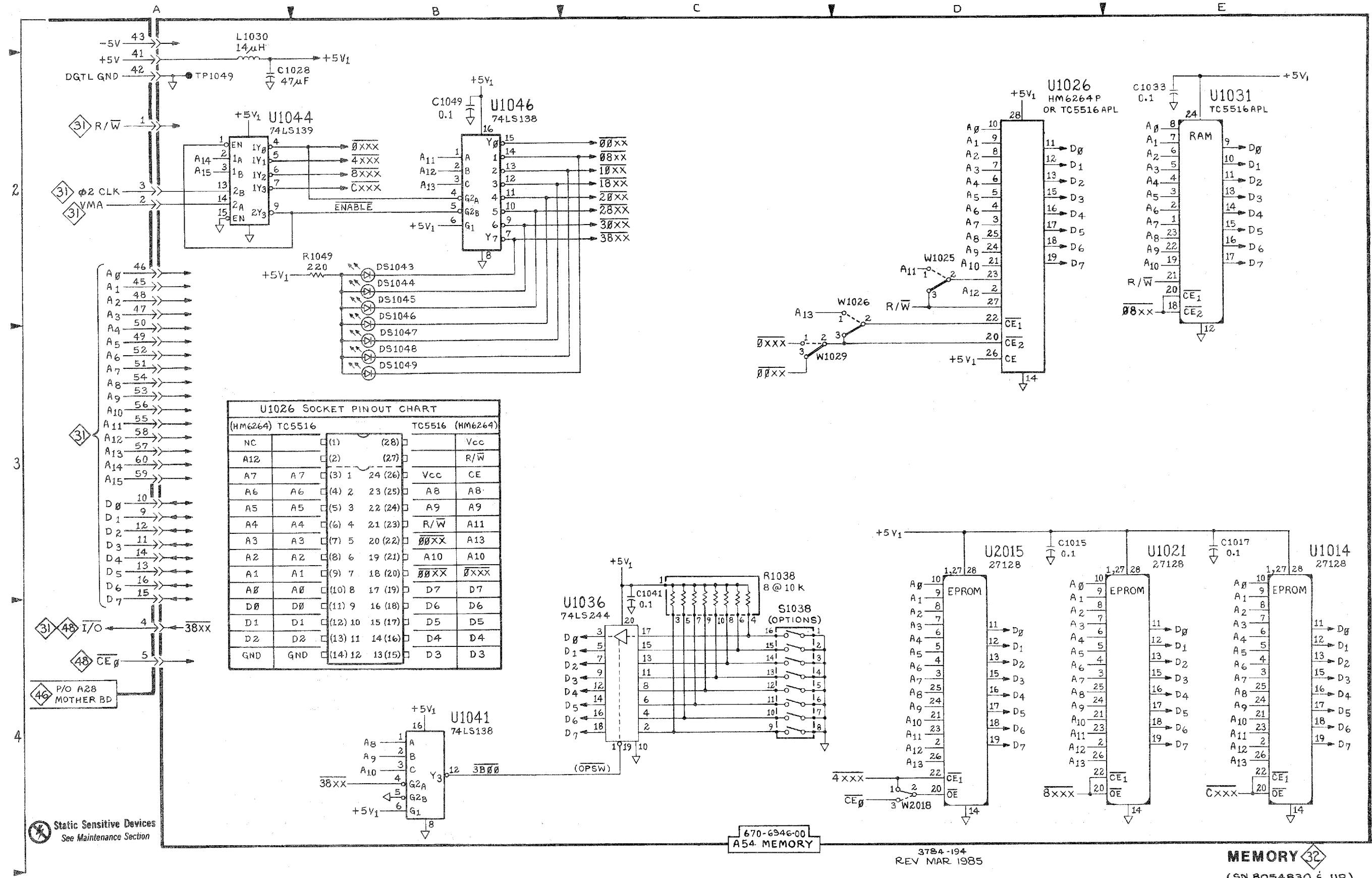
Fig. 8-32A A 54 Memory Circuit Board (SN B054830 & Up).

MEMORY
(SN B054830 & UP)

DIAGRAM 32

ASSEMBLY A54

CIRCUIT NUMBER	SCHEM LOCATION	BOARD LOCATION	CIRCUIT NUMBER	SCHEM LOCATION	BOARD LOCATION
C1015	D3	A1	U1014	E3	A1
C1017	E3	A1	U1021	E3	A1
C1028	A2	B1	U1026	B3	B1
C1033	E2	C1	U1031	E2	C1
C1041	C4	D1	U1036	C4	D1
DS1043	B2	D1	U1041	B4	D1
DS1044	B2	D1	U1044	A2	D1
DS1045	B2	D1	U1046	B2	D1
DS1046	B3	D1	U2015	D3	A2
DS1047	B4	D1	TP1049	D1	A2
DS1048	B4	D1	W 1029	C3	B1
DS1049	B4	D1	W1025	C3	B1
L1030	A1	C1			
R1038	C3	C1			
S1038	C4	C1			



Static Sensitive Devices
See Maintenance Section

670-6946-00
A54 MEMORY

3784-194
REV MAR 1985

MEMORY 32
(SN B054830 & UP)

Memory
(SN B054830 & UP)

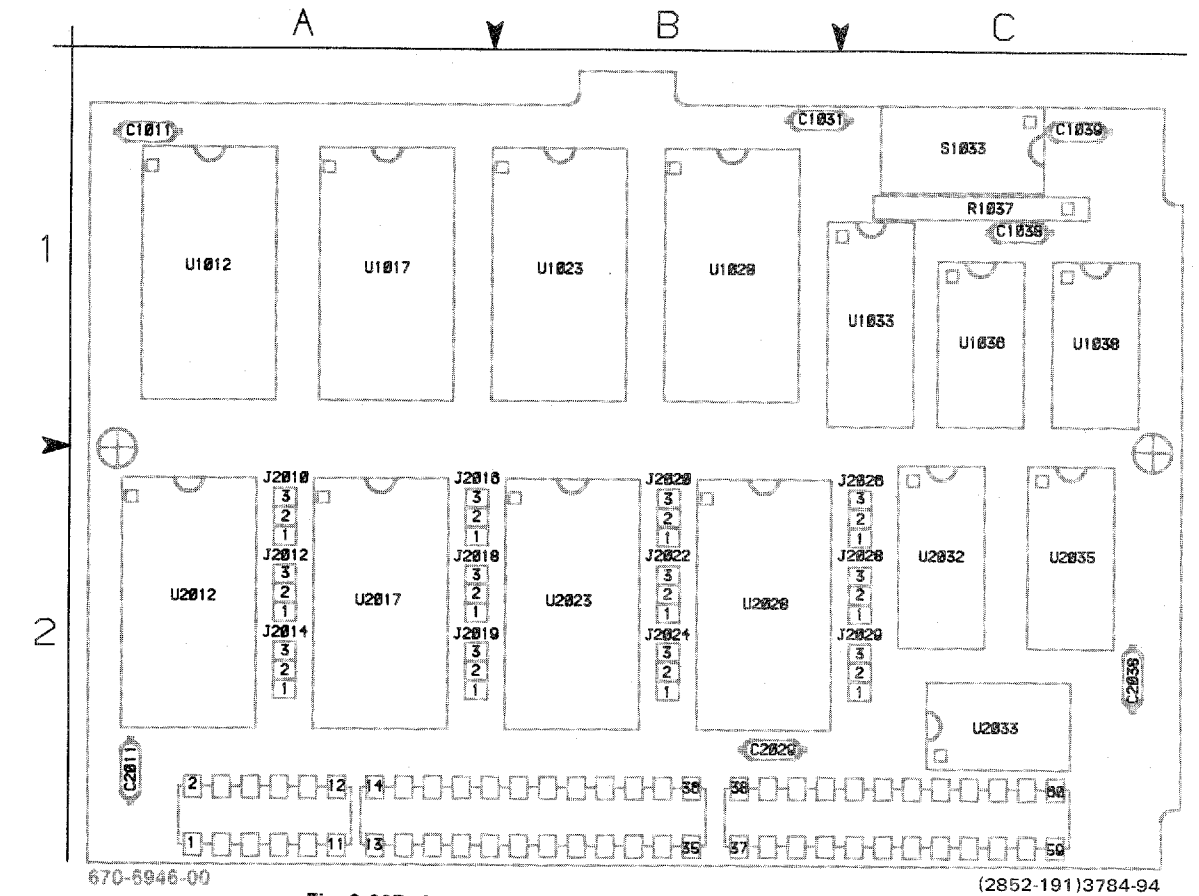
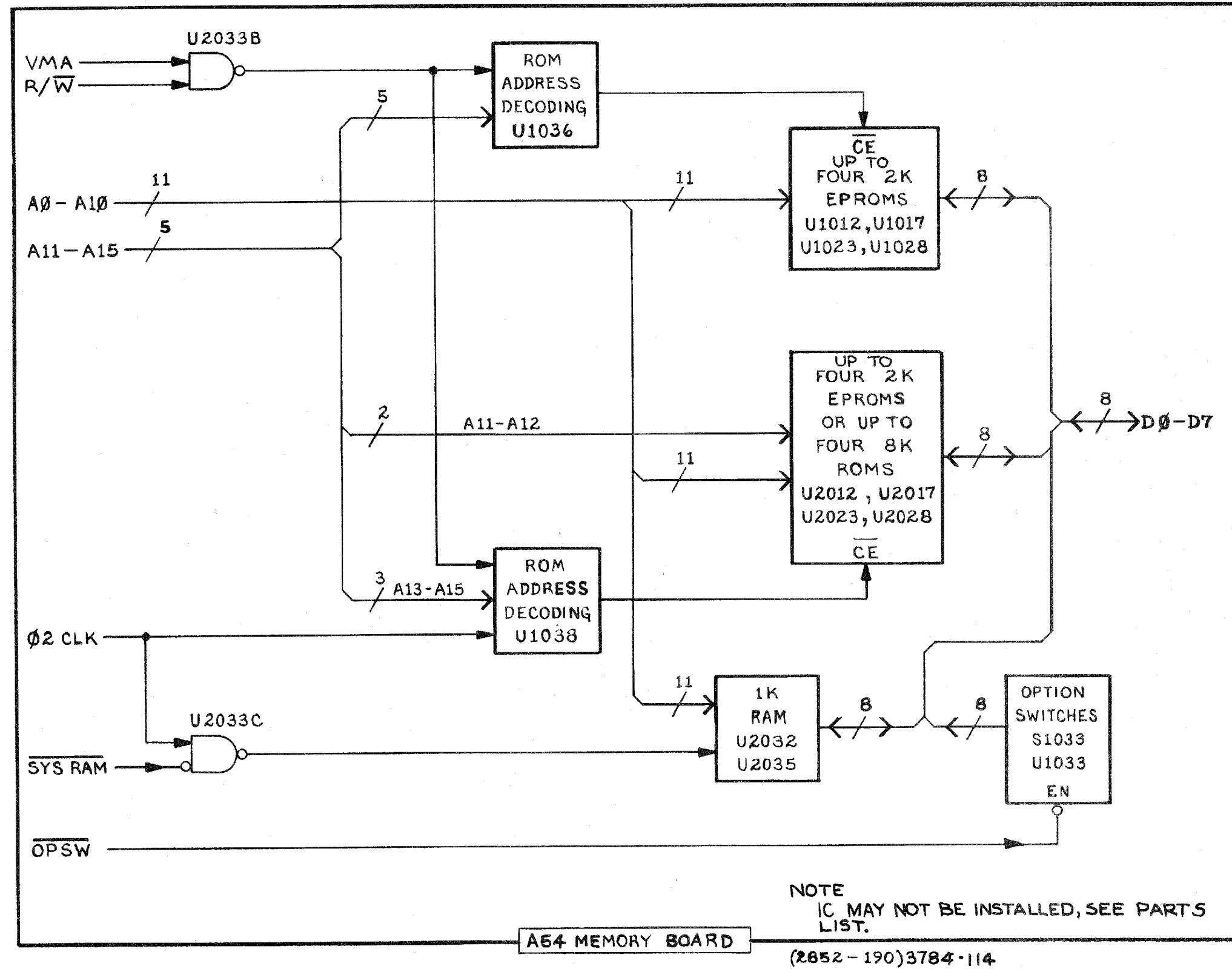
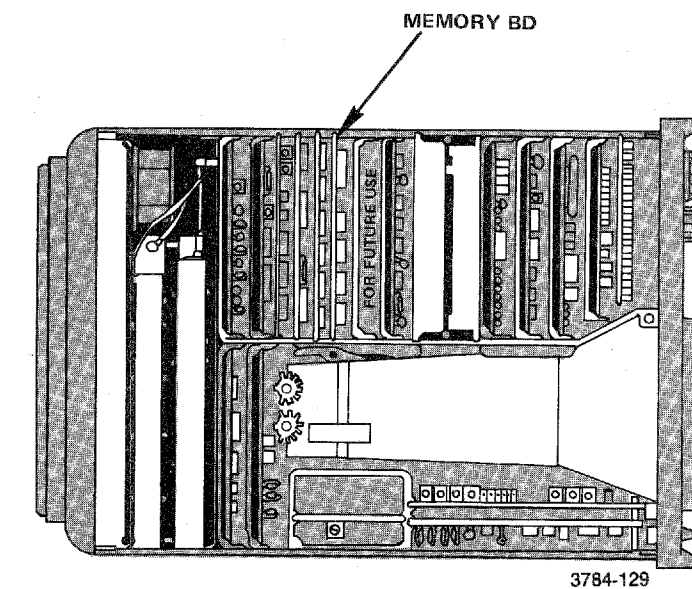
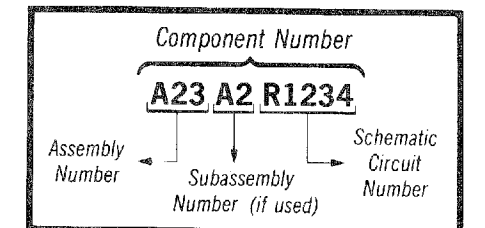


Fig. 8-32B A54 Memory Circuit Board (SN B054829 & Below).



Static Sensitive Devices
See Maintenance Section

COMPONENT NUMBER EXAMPLE

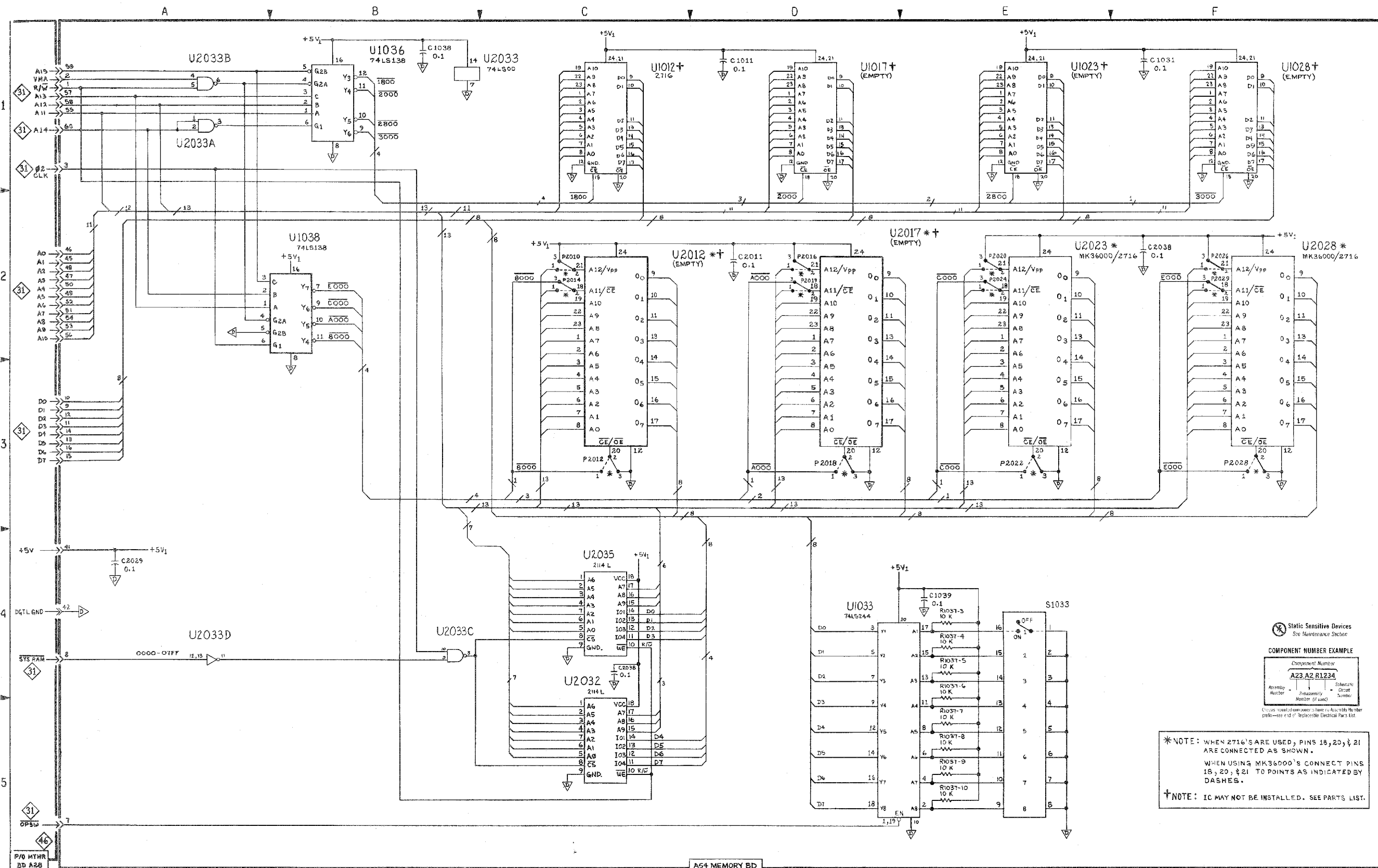


Chassis-mounted components have no Assembly Number prefix—see end of Replaceable Electrical Parts List.

Memory DIAGRAM 32
(SN B054829 & BELOW)

ASSEMBLY A54

CIRCUIT NUMBER	SCHEM LOCATION	BOARD LOCATION
C1011	D1	A1
C1031	F1	B1
C1038	B1	C1
C1039	E4	A1
C2011	D2	A2
C2038	C4	C2
C2038	F2	C2
S1033	E4	C1
U1012	C1	A1
U1017	D1	A1
U1023	D1	B1
U1033	E4	C1
U1036	B1	C1
U1038	B2	A2
U2012	C2	A2
U2017	D2	A2
U2023	E2	B2
U2028	F2	B2
U2032	C5	C2
U2033	B1	C2
U2033A	A1	C2
U2033B	A1	C2
U2033C	B4	C2
U2033D	A4	C2
U2035	C4	C2



492/492P (SN B030000 & UP)

A54 MEMORY BD
(2852-101) 3784-32
REV MAR 1985

Static Sensitive Devices
See Maintenance Section

COMPONENT NUMBER EXAMPLE

Component Number	A23 A2 B1234
Assembly	1
Manufacturer's Number (if used)	
Order Number	

* NOTE: WHEN 2716'S ARE USED, PINS 18, 20, & 21 ARE CONNECTED AS SHOWN.

† NOTE: IC MAY NOT BE INSTALLED. SEE PARTS LIST.

Static Sensitive Devices
See Maintenance Section

MEMORY 32 PART
(SN B054829 & BELOW)

Memory Diagram
(SN B054829 & BELOW)

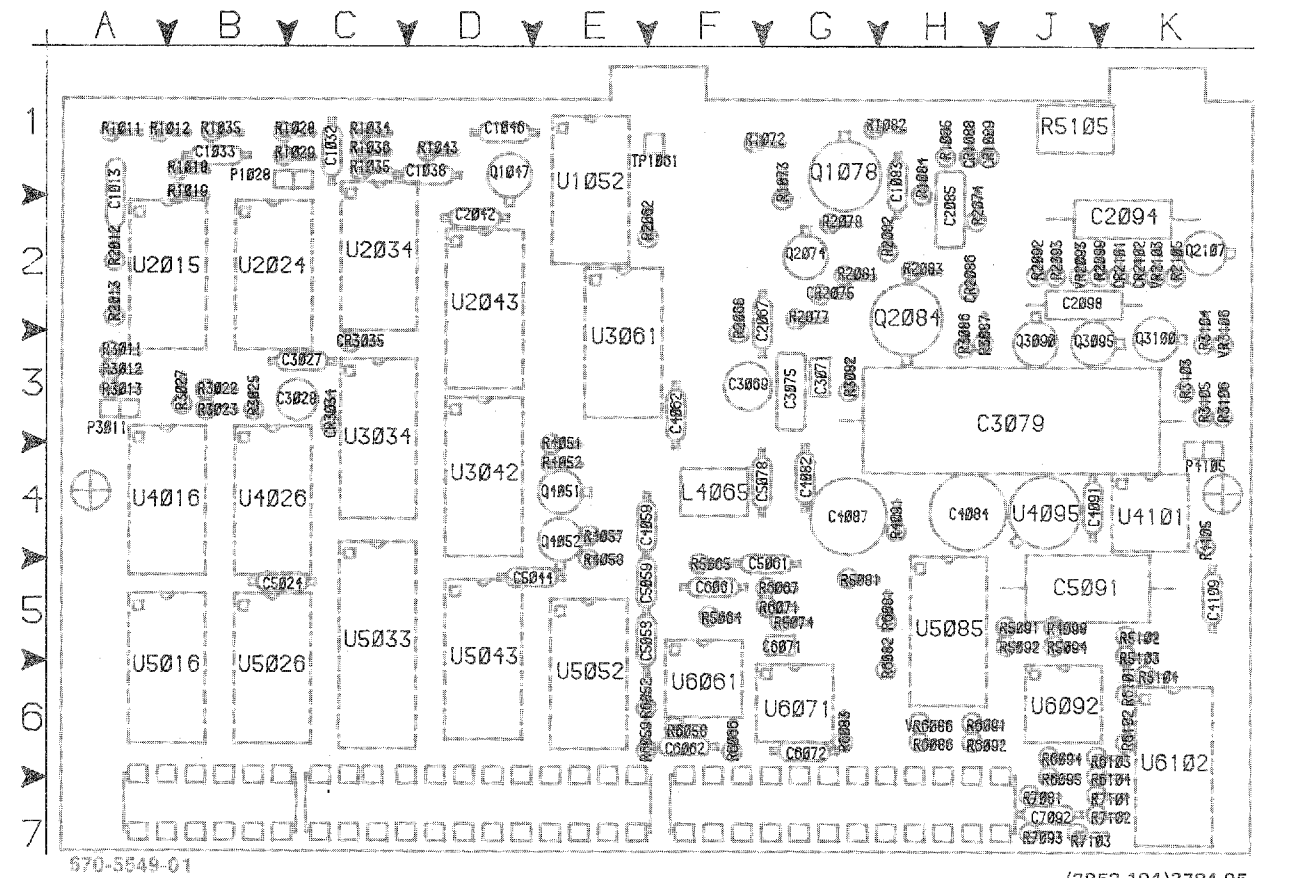
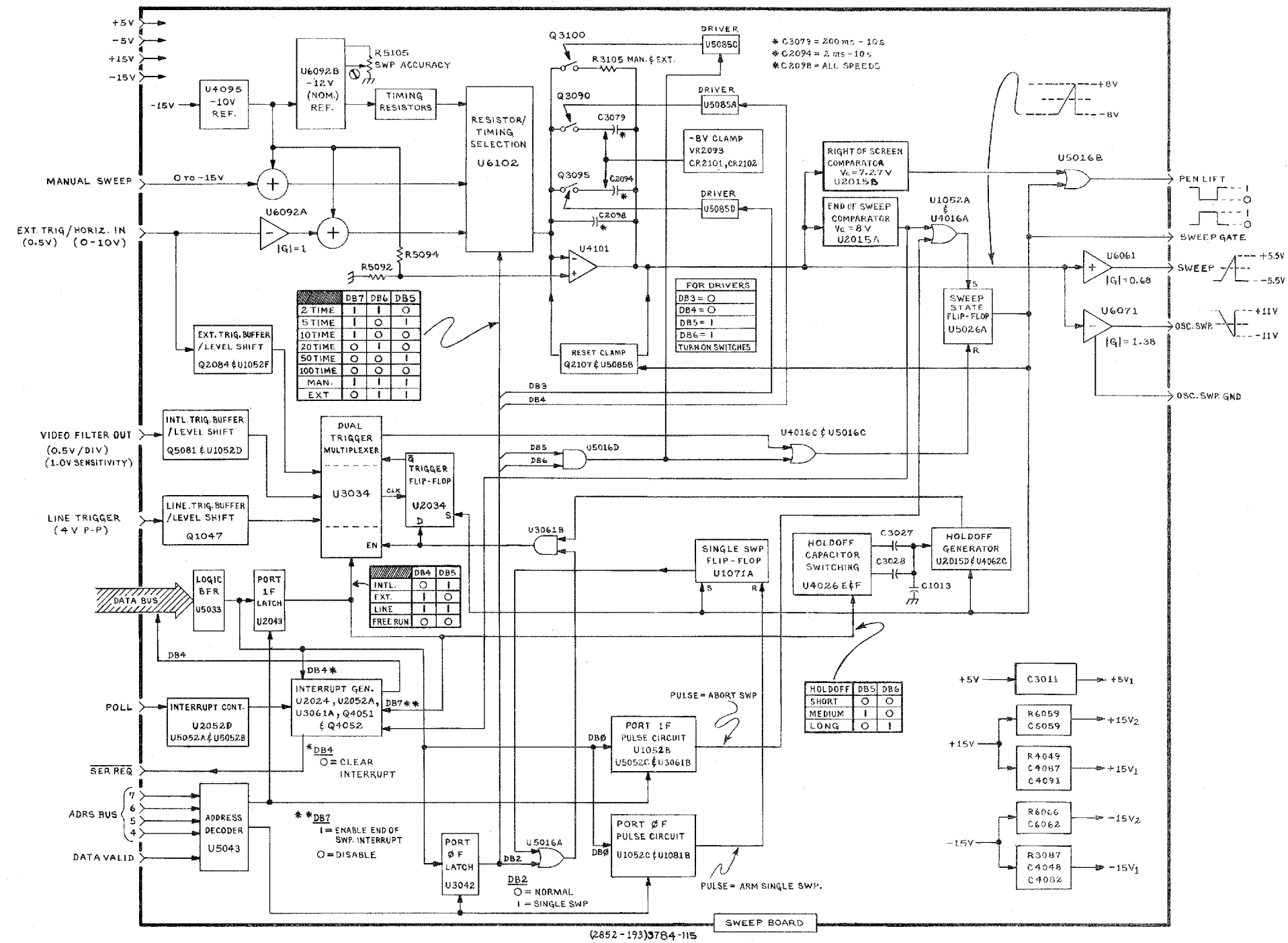
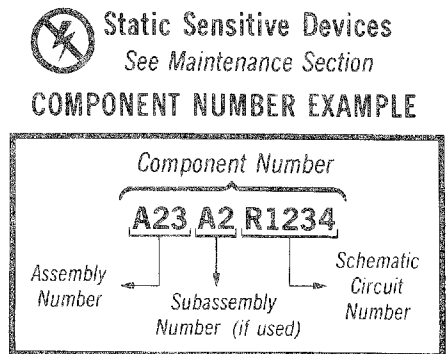
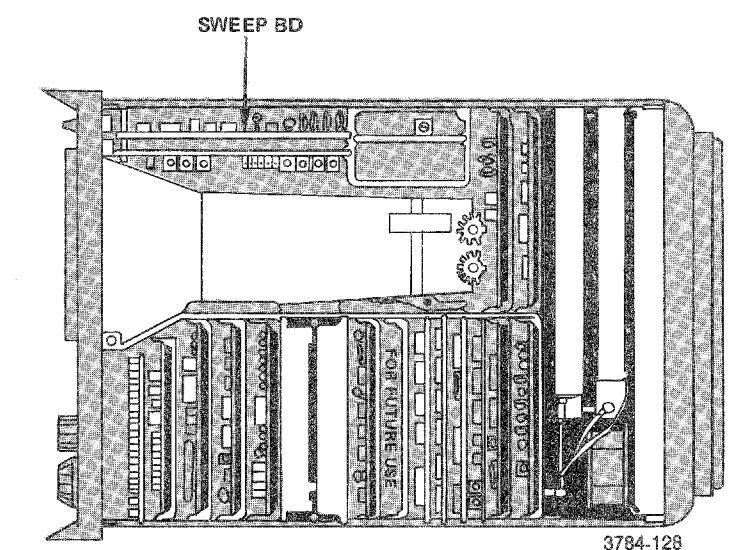


Fig. 8-33. A72—Sweep circuit board.

(2852-194)3784-95



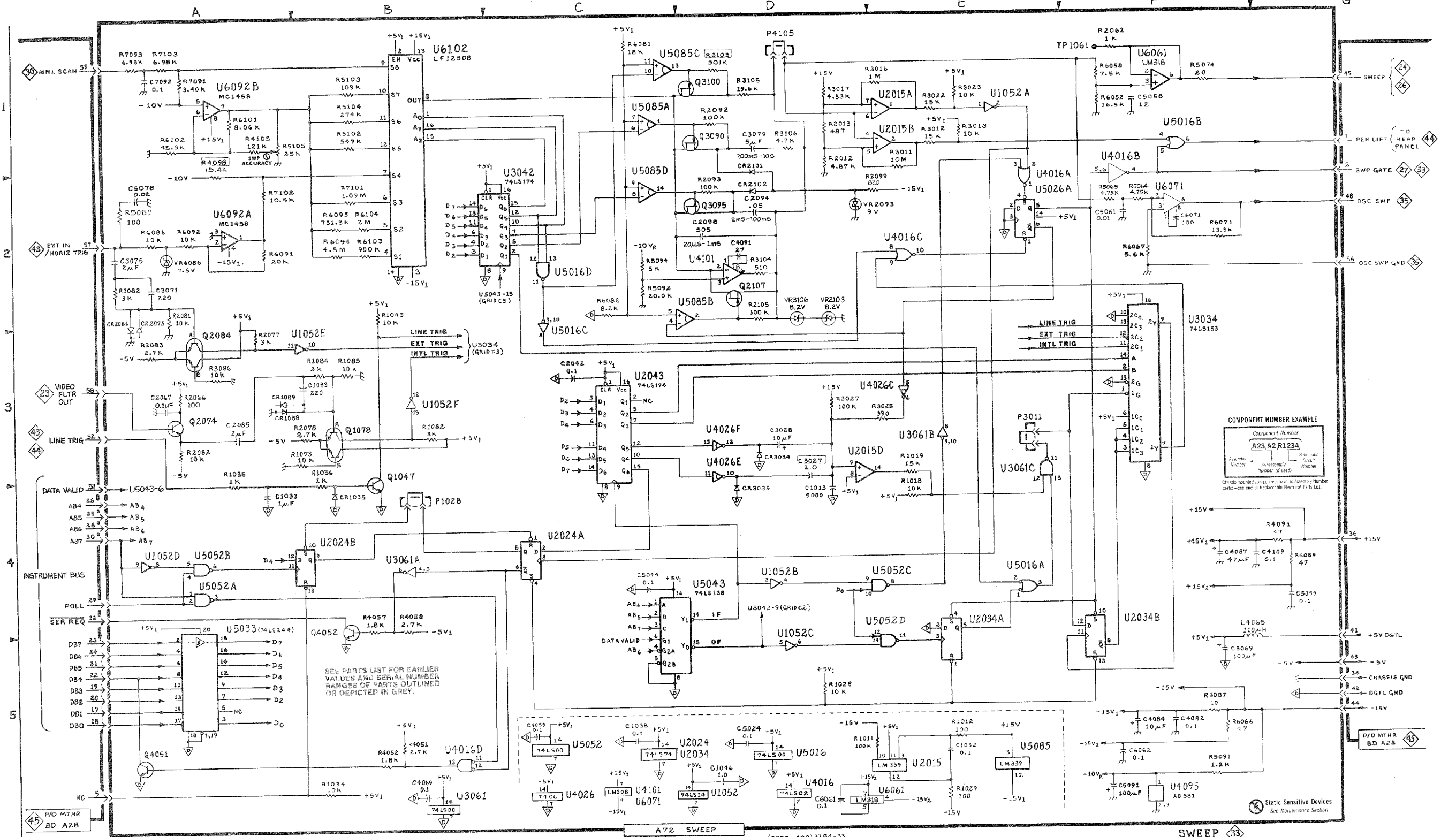
Chassis-mounted components have no Assembly Number prefix—see end of Replaceable Electrical Parts List.

SWEEP DIAGRAM 33

ASSEMBLY A72

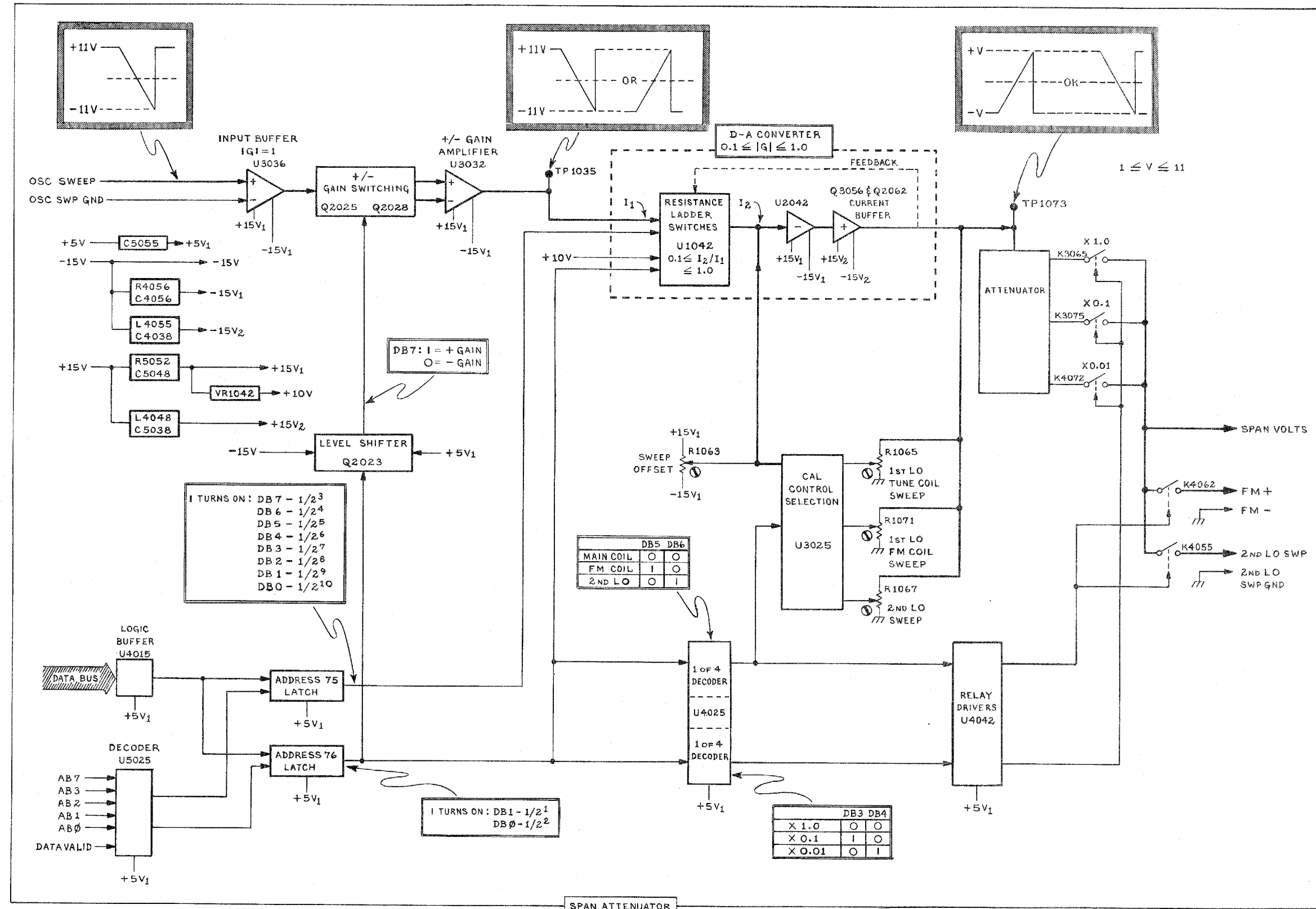
CIRCUIT NUMBER	SCHEM LOCATION	BOARD LOCATION	CIRCUIT NUMBER	SCHEM LOCATION	BOARD LOCATION	CIRCUIT NUMBER	SCHEM LOCATION	BOARD LOCATION	CIRCUIT NUMBER	SCHEM LOCATION	BOARD LOCATION	CIRCUIT NUMBER	SCHEM LOCATION	BOARD LOCATION	
C1013	D4	A1	Q1047	B4	D1	R3104	D2	K3	U1052E	B3	E1				
C1032	E5	C1	Q1078	B3	G1	R3105	D1	K3	U1052F	B3	E1				
C1033	A4	B1	Q2074	A3	G2	R3106	D1	K3	U2015A	E1	A2				
C1038	C5	D1	Q2084	A3	H3	R4051	B5	E4	U2015B	E1	A2				
C1046	D5	D1	Q2107	D2	K2	R4052	B5	E4	U2015D	D3	A2				
C1083	B3	H1	Q3090	D1	J3	R4057	B4	E4	U2024A	C4	B2				
C2042	C3	D2	Q3095	D2	J3	R4058	B4	E4	U2024B	B4	B2				
C2067	A3	G3	Q3100	D1	K3	R4091	G4	H4	U2034A	E4	C2				
C2085	A3	H2	Q4051	A5	E4	R4098	A2	J5	U2034B	F4	C2				
C2094	D2	K2	Q4052	B4	E4	R4105	A1	K4	U2043	C3	D2				
C2098	D2	J2				R5064	F3	F5	U3034	F3	C3				
C3027	D3	B3	R1011	D5	A1	R5065	F3	F5	U3042	C2	D3				
C3028	D3	B3	R1012	E5	A1	R5074	F1	G5	U3061A	B4	E2				
C3069	F5	F3	R1018	E4	B1	R5081	A2	G5	U3061B	E2	E3				
C3071	A2	G3	R1019	E3	B1	R5091	F5	J5	U3061C	E3	E2				
C3075	A2	G3	R1028	D5	B1	R5092	C2	J6	U4016A	E2	A4				
C3079	D1	J3	R1029	E5	B1	R5094	C2	J6	U4016B	F3	A4				
C4059	C5	E4	R1034	B5	C1	R5102	B1	K5	U4016C	E2	A4				
C4069	B5	F3	R1035	A4	B1	R5103	B1	K5	U4016D	B5	A4				
C4082	F5	G4	R1036	B4	C1	R5104	B1	K6	U4026E	E3	B4				
C4084	F5	H4	R1043	B2	D1	R5105	A1	J1	U4026F	D3	B4				
C4087	F4	G4	R1073	B3	G1	R6052	F1	F6	U4095	F5	J4				
C4091	D2	J4	R1082	B3	H1	R6058	F1	F6	U4101	D2	K4				
C4109	F4	K5	R1084	B3	H1	R6059	G4	F6	U5016A	E4	A5				
C5024	D5	B5	R1085	B3	H1	R6066	F5	F6	U5016B	F1	A5				
C5058	F1	F5	R2012	D1	A2	R6067	F3	G5	U5016C	C2	A5				
C5059	G4	E5	R2013	D1	A2	R6071	F3	G5	U5016D	C2	A5				
C5061	F3	F5	R2062	F1	F2	R6081	C1	H5	U5026A	E2	B5				
C5078	A2	G4	R2066	A3	F2	R6082	C2	H5	U5033	A5	C5				
C5091	F5	J5	R2077	A3	G3	R6083	G2	G6	U5043	C4	D5				
C6061	D5	F5	R2078	B3	G2	R6086	A2	H8	U5052A	A4	E5				
C6082	F5	F6	R2081	A2	G2	R6091	A2	H6	U5052B	A4	E5				
C6071	F3	G5	R2082	A3	H2	R6092	A2	H6	U5052C	D4	E5				
C6072	G2	G6	R2083	A3	H2	R6094	B2	J6	U5052D	C1	H5				
C7092	A1	J7	R2092	D1	J2	R6095	B2	J6	U5085A	C1	H5				
			R2093	D2	J2	R6101	A1	K6	U5085B	C2	H5				
			R2099	D2	J2	R6102	A1	K6	U5085C	C1	H5				
			R2105	B2	K2	R6103	B2	K6	U5085D	C2	H5				
			R3011	E1	A3	R6104	B2	K6	U6061	F1	F6				
			R3012	E1	A3	R7091	A1	J7	U6071	F3	G6				
			R3013	E1	A3	R7093	A1	J7	U6092A	A2	J6				
			R3016	E1	B3	R7101	B2	K7	U6092B	A1	J6				
			R3017	D1	B2	R7102	A2	K7	U6102	B1	K6				
			R3022	E1	B3	R7103	A1	J7							
			R3023	E1	B3										
			R3025	E3	B3	TP1061	F1	F1	VR2093	D2	J2				
			R3027	D3	B3				VR2103	D2	K2				
			R3082	A2	G3				VR3106	D2	K3				
			R3086	A3	H3	U1052A	E1	E1	VR6086	A2	H6				
			R3087	F5	H3	U1052B	A4	E1							
			R3087	F5	H3	U1052B	D4	E1							
			R3103	D1	K3	U1052C	D5	E1							

Sweep



Static Sensitive Devices See Maintenance Section

[FOR FUTURE USE]



(2852-196)3784-110

REV DEC 1981

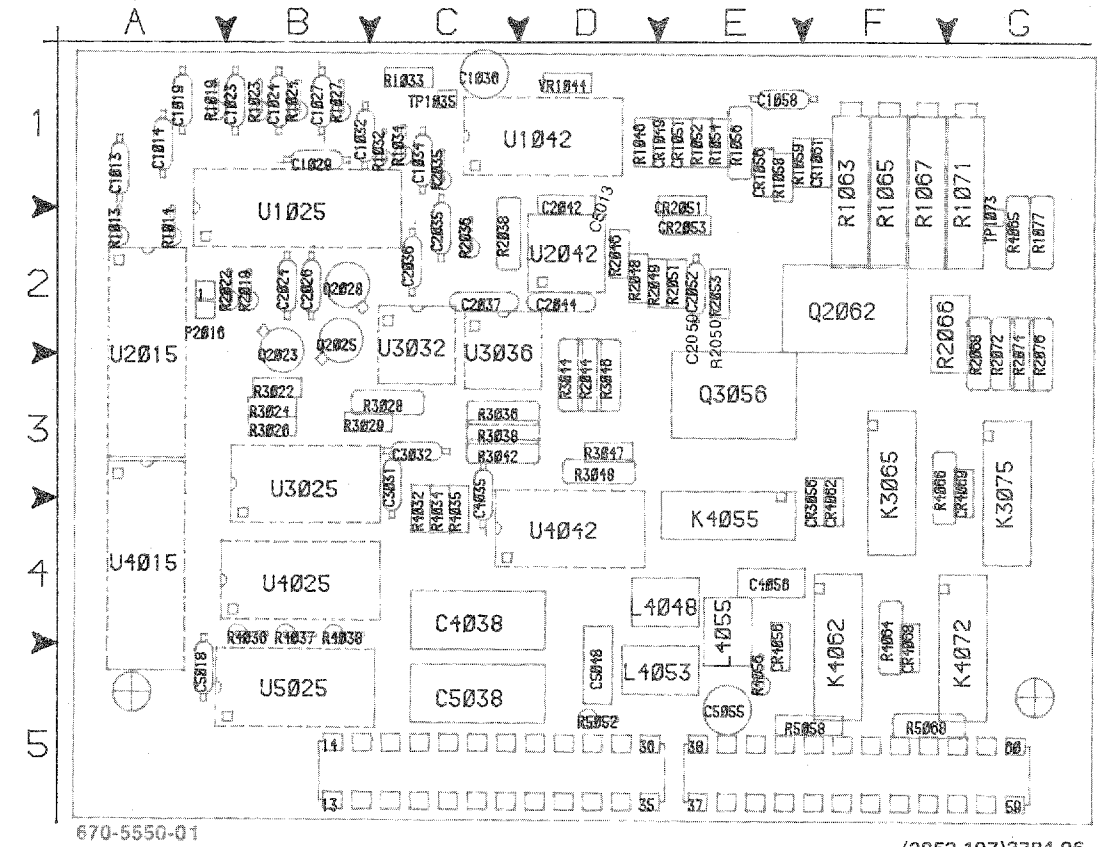
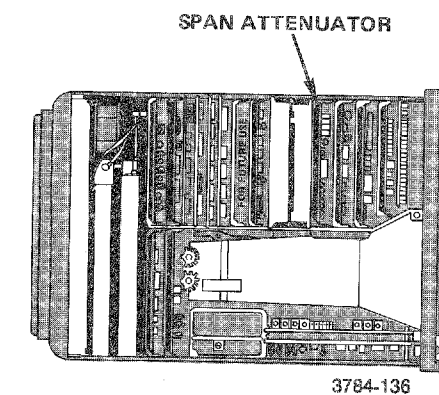
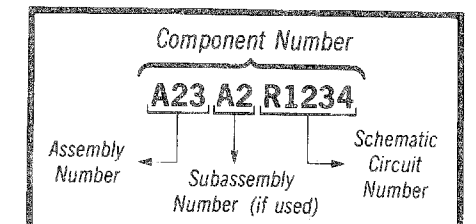


Fig. 8-34. A48—Span Attenuator circuit board.



Static Sensitive Devices
See Maintenance Section
COMPONENT NUMBER EXAMPLE



Chassis-mounted components have no Assembly Number prefix—see end of Replaceable Electrical Parts List.

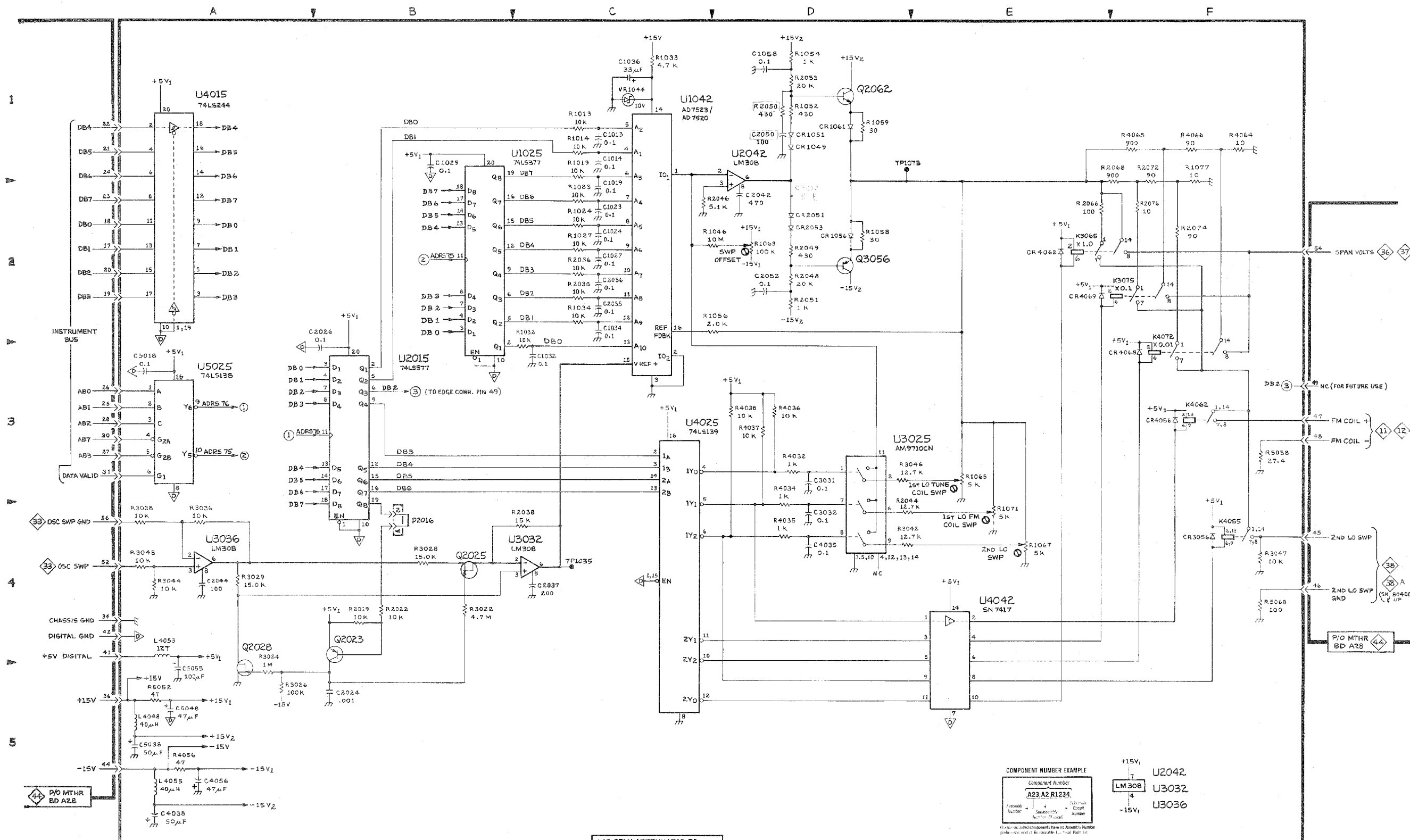
Span Attenuator DIAGRAM 35

ASSEMBLY A48

Span Attenuator

CIRCUIT NUMBER	SCHEM LOCATION	BOARD LOCATION	CIRCUIT NUMBER	SCHEM LOCATION	BOARD LOCATION	CIRCUIT NUMBER	SCHEM LOCATION	BOARD LOCATION
C1013	C1	A1	L4048	A5	D4	F.074	F2	F2
C1014	C1	A1	L4053	A4	E5	R2076	F2	F2
C1019	C2	B1	L4055	A5	D4	R3022	B4	B2
C1023	C2	B1				R3024	A5	B2
C1024	C2	B1	P2016	B4	A2	R3026	A5	B3
C1027	C2	B1				R3028	B4	B2
C1029	B1	B1	Q2023	B4	B2	R3029	A4	B3
C1032	C3	B1	Q2025	B4	B2	R3036	A4	C3
C1034	C2	C1	Q2028	A5	B2	R3038	A4	C3
C1036	C1	C1	Q2062	D1	E2	R3042	D4	C3
C1058	D1	D1	Q3056	D2	D2	R3044	A4	C2
C2024	B5	B2				R3046	D3	C2
C2026	B3	B2	R1013	C1	A1	R3047	F4	D3
C2035	C2	C2	R1014	C1	A1	R3048	A4	D3
C2036	C2	C2	R1019	C1	A1	R4032	D3	B3
C2037	C4	C2	R1023	C2	B1	R4034	D3	C3
C2042	D2	C1	R1024	C2	B1	R4035	D4	C3
C2044	A4	C2	R1027	C2	B1	R4036	D3	B4
C2052	D2	D2	R1032	C3	B1	R4037	D3	B4
C3031	D3	B3	R1033	C1	B1	R4038	D3	B4
C3032	D4	B3	R1034	C2	B1	R4056	A5	D4
C4035	D4	C3	R1046	C2	D1	R4064	F1	F5
C4038	A5	C4	R1052	D1	D1	R4065	F1	G2
C4056	A5	D4	R1054	D1	D1	R4066	F1	F4
C5013*	D2	E2	R1056	C2	D1	R5052	A5	D4
C5018	A3	A4	R1058	D2	D1	R5058	F3	D4
C5038	A5	C4	R1059	D1	D1	R5068	F4	E4
C5048	A5	D4	R1063	D2	E1			
C5055	A5	D4	R1065	E3	F1	TP1035	C4	C1
			R1067	E4	E1	TP1073	D1	E1
			R1071	E4	E1			
CR1049	D1	D1	R1077	F2	F2	U1025	B2	B1
CR1051	D1	D1	R2019	B4	A2	U1042	C1	C1
CR1056	D2	D1	R2022	B4	A2	U2015	B3	A2
CR1061	D1	D1	R2035	C2	C1	U2042	D1	C2
CR2051	D2	E2	R2036	C2	C2	U3025	D3	B2
CR2053	D2	E2	R2038	C4	C2	U3032	C4	B3
CR3056	F4	D3	R2044	D4	C2	U3036	A4	C2
CR4056	F3	D4	R2046	C2	C2	U4015	A1	A3
CR4062	E2	F3	R2048	D2	D2	U4025	C3	B3
CR4068	F3	E4	R2049	D2	D2	U4042	E4	C3
CR4069	E2	E3	R2050*	D2	E2	U5025	A3	B4
			R2051	D2	D2			
K3065	E2	F3	R2053	D1	D2	VR1044	C1	C2
K3075	F2	F3	R2066	E2	E2			
K4055	F4	D3	R2068	F2	E2			
K4062	F3	E4	R2072	F2	E2			
K4072	F3	E4						

*See Parts List for serial number ranges.



492/492P (SN 8030000 & UP)

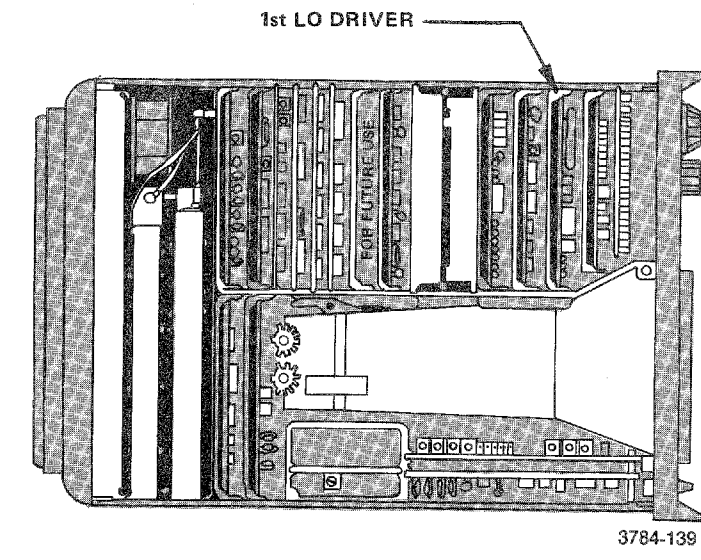
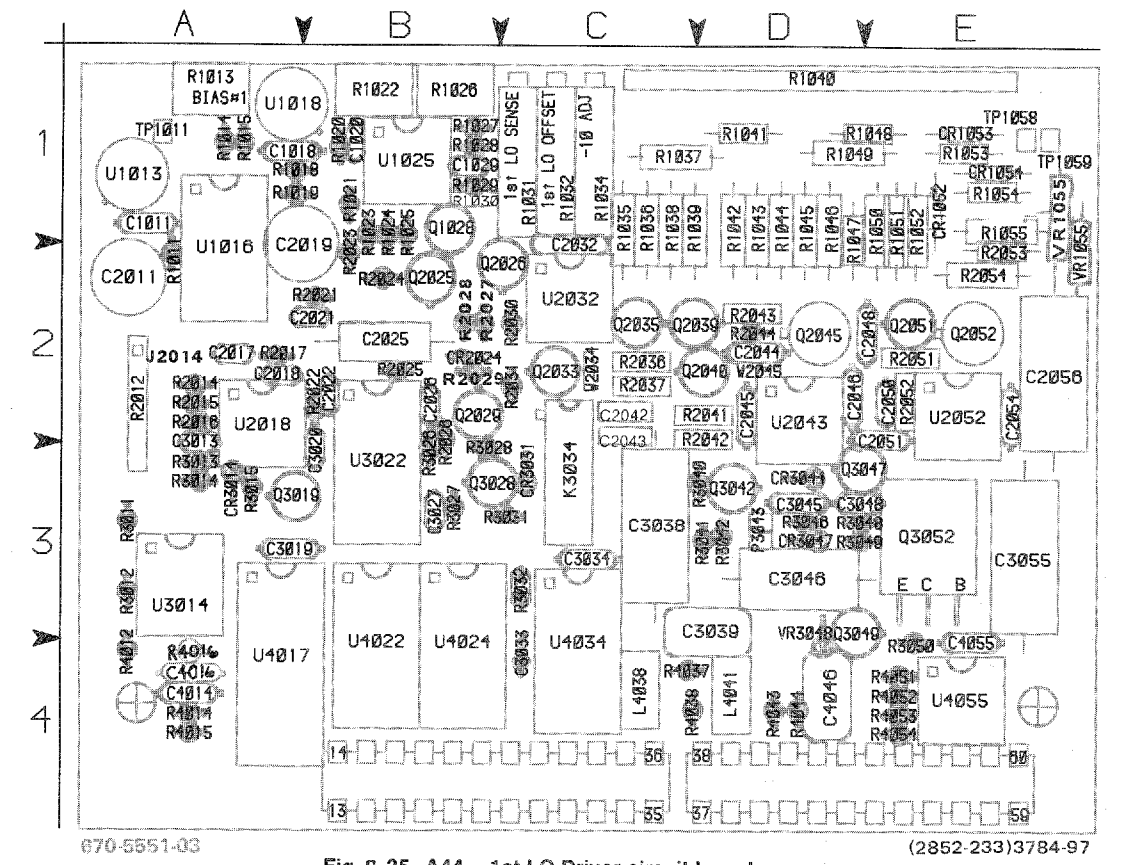
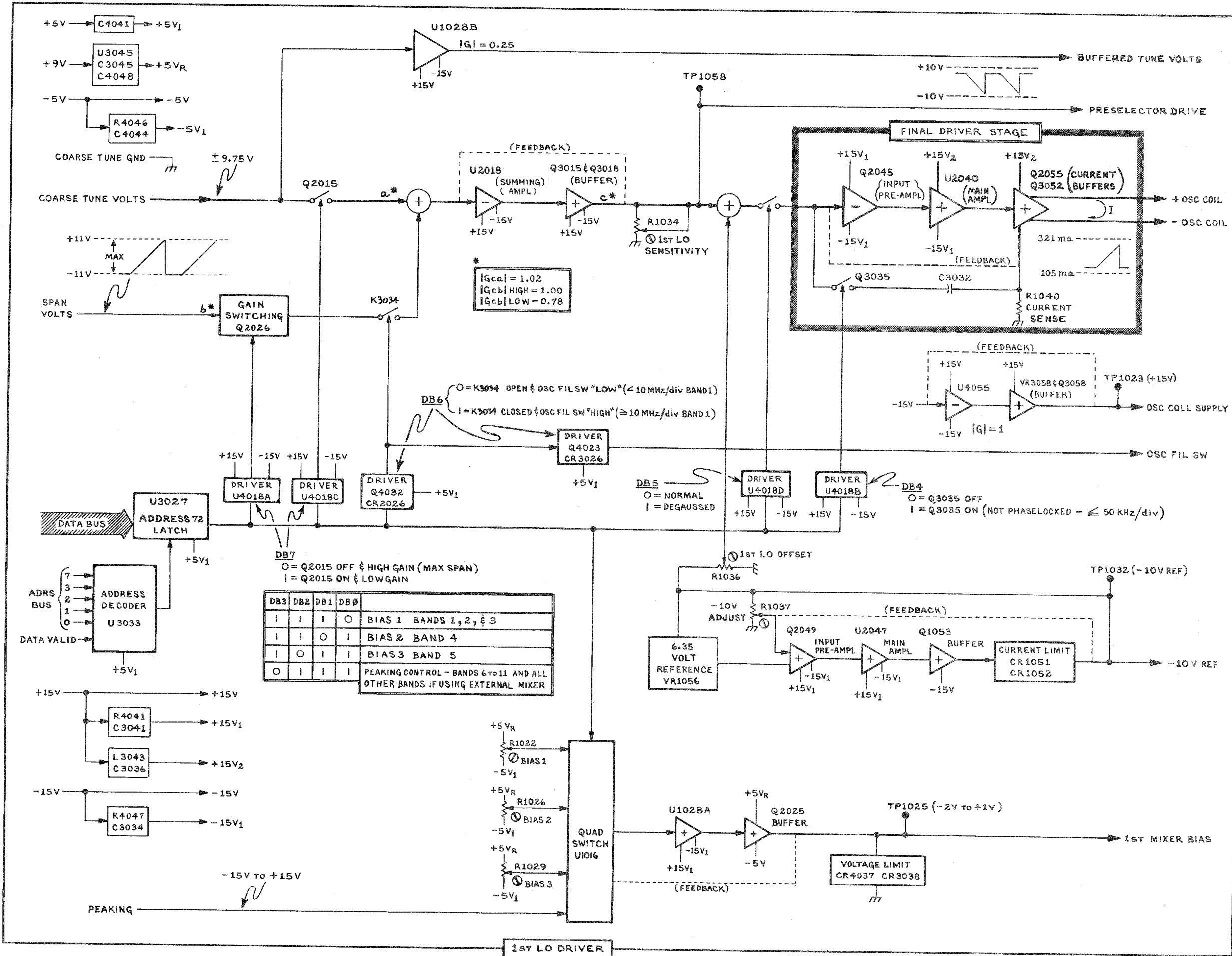
A48 SPAN ATTENUATOR BD.

REV DEC 1981

(2852-104) 3784-05

SPAN ATTENUATOR

35



Static Sensitive Devices
 See Maintenance Section

COMPONENT NUMBER EXAMPLE

A23 A2 R1234

Assembly Number Subassembly Number (if used) Schematic Circuit Number

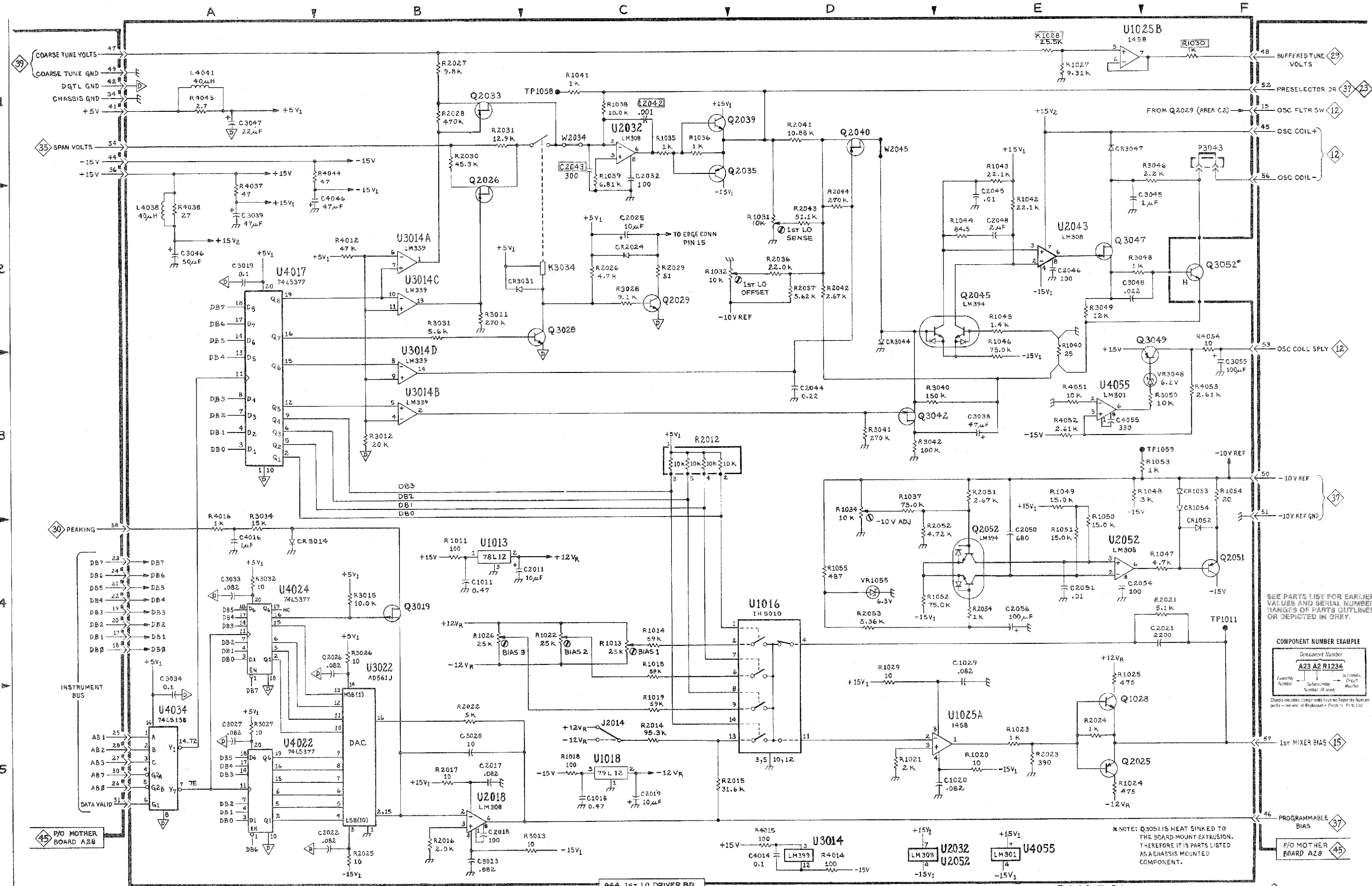
Chassis-mounted components have no Assembly Number prefix—see end of Replaceable Electrical Parts List.

1ST LO DRIVER DIAGRAM 36

ASSEMBLY A44

CIRCUIT NUMBER	SCHEM LOCATION	BOARD LOCATION	CIRCUIT NUMBER	SCHEM LOCATION	BOARD LOCATION	CIRCUIT NUMBER	SCHEM LOCATION	BOARD LOCATION	CIRCUIT NUMBER	SCHEM LOCATION	BOARD LOCATION	CIRCUIT NUMBER	SCHEM LOCATION	BOARD LOCATION
C1011	B4	A1	L4038	A2	C4	R1043	E1	D1	R3041	D3	D3			
C1018	C5	A1	L4041	A1	D4	R1044	E2	D1	R3042	D3	D3			
C1020	E5	B1				R1045	E2	D1	R3046	F1	D3			
C1029	E4	B1	P3043	F1	D3	R1046	E3	D1	R3048	E2	D3			
C2011	B4	A2				R1047	F4	D1	R3049	E2	D3			
C2017	B5	A2	Q1028	E5	B1	R1048	E3	D1	R3050	F3	E4			
C2018	B5	A2	Q2025	E5	B2	R1049	E3	D1	R4012	B2	A4			
C2019	C5	A2	Q2026	B2	B2	R1050	E4	E1	R4014	D5	A4			
C2021	F4	A2	Q2029	C2	B2	R1061	E4	E1	R4015	D6	A4			
C2022	B5	B2	Q2033	B1	C2	R1062	D4	E1	R4016	A4	A4			
C2025	C2	B2	Q2035	C1	C2	R1053	F3	E1	R4037	A2	C4			
C2026	B4	B2	Q2039	C1	C2	R1054	F3	E1	R4038	A2	C4			
C2032	C1	C2	Q2040	D1	C2	R1055	D4	E1	R4043	A1	D4			
C2041*	A1	C2	Q2045	E2	D2	R2012	C3	A2	R4044	B1	D4			
C2043*	C2	C2	Q2051	F4	E2	R2014	C5	A2	R4051	E3	E4			
C2044	D3	D2	Q2062	E4	E2	R2015	C5	A2	R4052	E3	E4			
C2045	E2	D2	Q3019	B4	A3	R2016	B5	A2	R4053	F3	E4			
C2046	E2	D2	Q3028	C2	B3	R2017	B5	A2	R4084	F3	E4			
C2048	E2	D2	Q3042	D3	D3	R2021	F4	A2						
C2050	E4	E2	Q3047	E2	D3	R2022	B5	B2	TP1011	F4	A1			
C2051	E4	E2	Q3049	F3	D3	R2023	E5	B2	TP1058	C1	E1			
C2054	E4	E2	Q3052	F3	E3	R2024	E5	B2	TP1059	F3	E1			
C2056	E4	E2				R2025	B5	B2						
C3013	B5	A2	R1011	B4	A2	R2026	C2	B2	U1013	B4	A1			
C3019	A2	A3	R1013	C4	A1	R2027	B1	B2	U1016	D4	A1			
C3020	B5	B3	R1014	C4	A1	R2028	B1	B2	U1018	C5	A1			
C3027	A5	B3	R1015	C4	A1	R2029	C2	B2	U1025A	E5	B1			
C3033	A4	C3	R1018	C5	A1	R2030	B1	C2	U1025B	E1	B1			
C3034	A5	C3	R1019	C5	A1	R2031	B1	C2	U2018	B5	A2			
C3038	E3	C3	R1020	E5	B1	R2036	D2	C2	U2032	C1	C2			
C3039	A2	D3	R1021	D5	B1	R2037	D2	C2	U2043	E2	D2			
C3045	E2	D3	R1022	C4	B1	R2041	D1	D2	U2052	E4	E2			
C3046	A2	D3	R1023	E5	B1	R2042	D2	D2	U3014A	B2	A3			
C3047	A1	D4	R1024	E5	B1	R2043	D2	D2	U3014B	B3	A3			
C3048	E2	D3	R1025	E4	B1	R2044	D2	D2	U3014C	B3	A3			
C3055	F3	E3	R1026	B4	B1	R2051	E3	E2	U3014D	B3	A3			
C4014	D5	A4	R1027	E1	B1	R2052	D4	E2	U3022	B5	B3			
C4016	A4	A4	R1028	E1	B1	R2053	D4	E2	U4017	A2	A4			
C4046	B2	D4	R1029	D4	B1	R2054	E4	E2	U4022	A5	B3			
C4055	E3	E4	R1030*	F1	B1	R3011	B2	A3	U4024	A4	B3			
			R1031	D2	C1	R3012	B3	A3	U4034	A5	C4			
			R1032	C2	C1	R3013	C5	A3	U4055	E3	E4			
CR1052	F4	E1	R1034	D3	C1	R3014	A4	A3						
CR1053	F3	E1	R1035	C1	C1	R3015	B4	A3	VR1055	D4	E1			
CR1054	F3	E1	R1036	C1	C1	R3016	B4	B3	VR3048	F3	D3			
CR2024	C2	B2	R1037	D3	C1	R3027	A5	B3	W2034	C1	C2			
CR3014	A4	A3	R1038	C1	C1	R3028	C2	B3	W2045	D1	D2			
CR3031	B2	C3	R1039	C1	C1	R3031	B2	C3						
CR3044	D2	D3	R1040	E2	D1	R3032	A4	C3						
CR3047	E1	D1	R1041	C1	D1	R3040	E3	C3						
K3034	C2	C3	R1042	E2	D1									

*See Parts List for serial number ranges.



492/492P (SN B030000 & UP)

A44 1st LO DRIVER BD

(2852-232) 5784-36

REV MAR 1985

Static Sensitive Devices See Maintenance Section

1st LO DRIVER

36

SEE PARTS LIST FOR EARLIER VALUES AND SERIAL NUMBER RANGES OF PARTS OUTLINED OR DEPICTED IN GREY.

COMPONENT NUMBER EXAMPLE

A23 A2 R1234	
Part No.	Quantity
Part No.	Quantity
Part No.	Quantity
Part No.	Quantity

Check the letter codes on the parts list for any Assembly Number or Revision of Equipment. Part No. 1st to 1st.

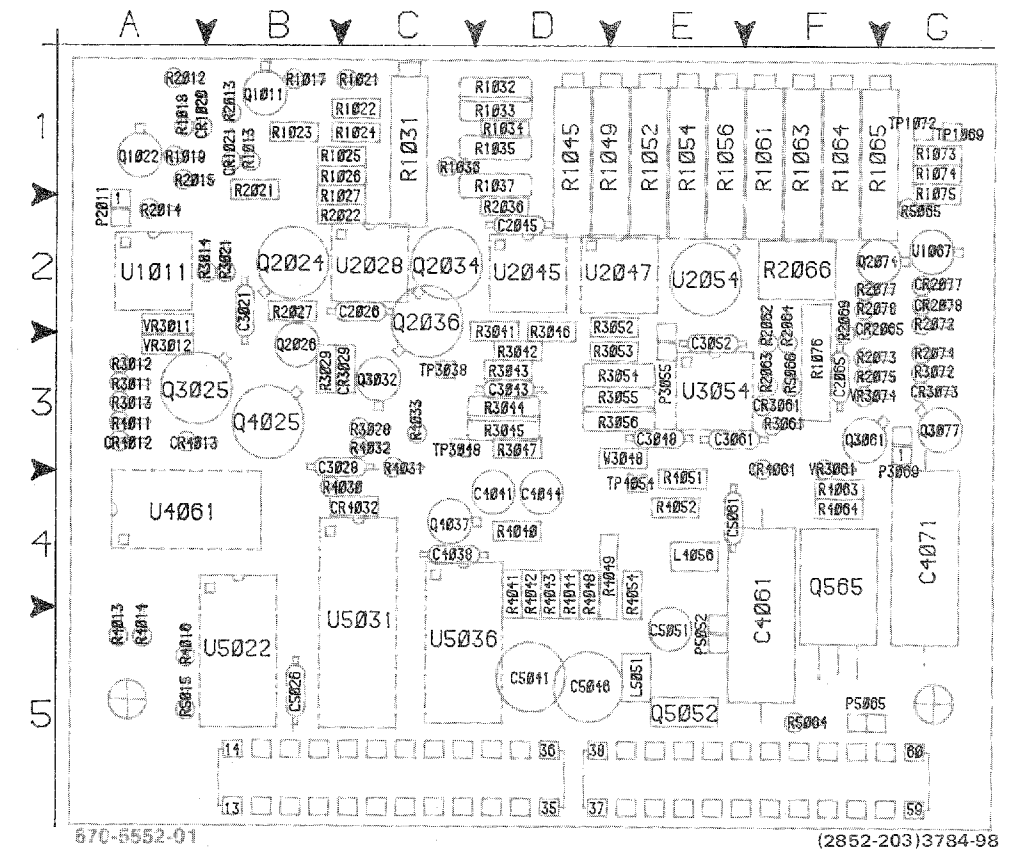
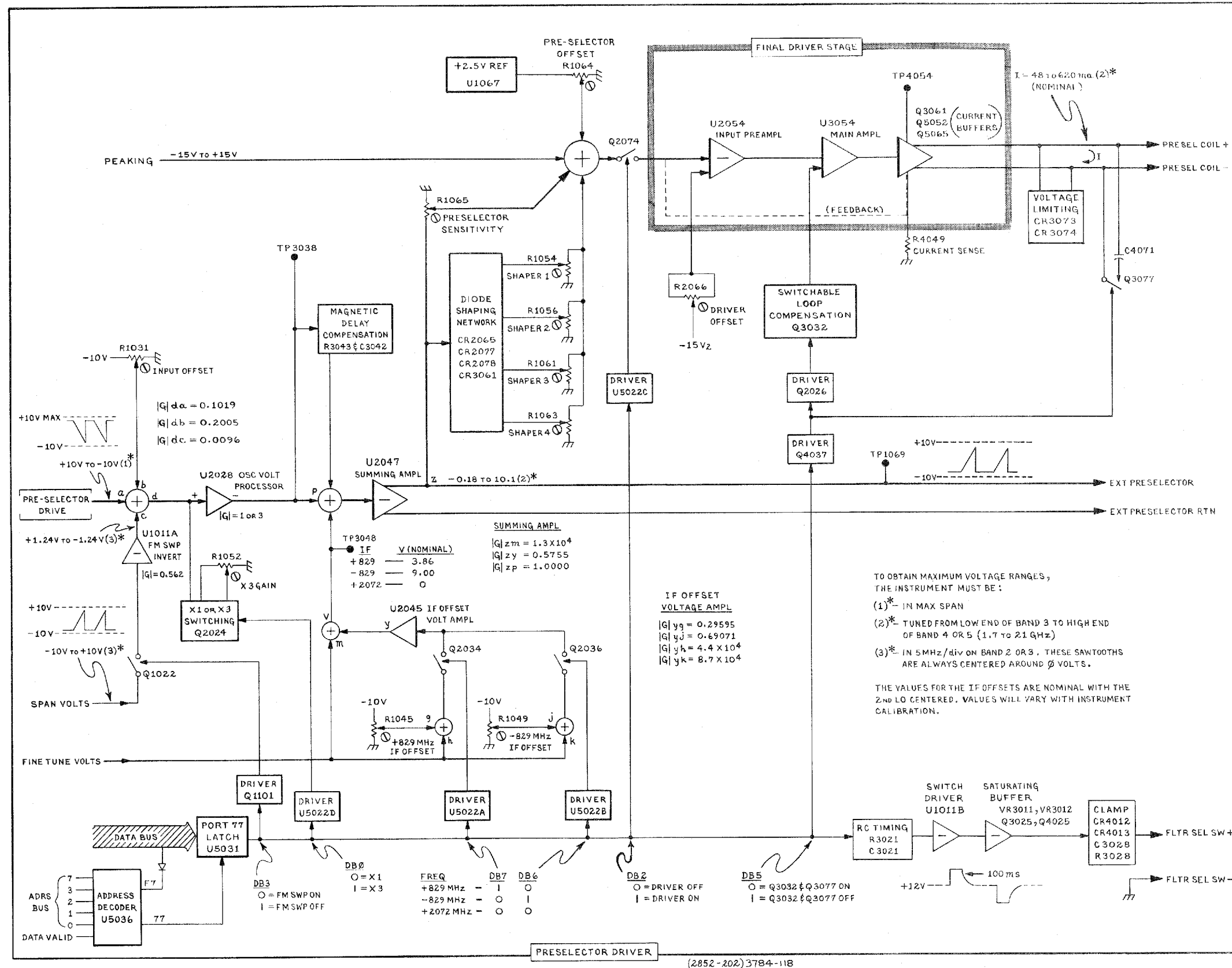
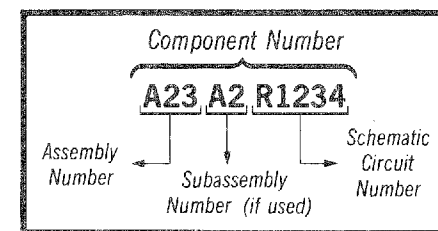


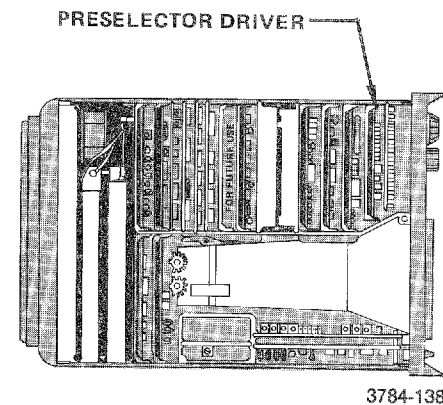
Fig. 8-36. A42—Preselector Driver circuit board.

Static Sensitive Devices
See Maintenance Section

COMPONENT NUMBER EXAMPLE



Chassis-mounted components have no Assembly Number prefix—see end of Replaceable Electrical Parts List.

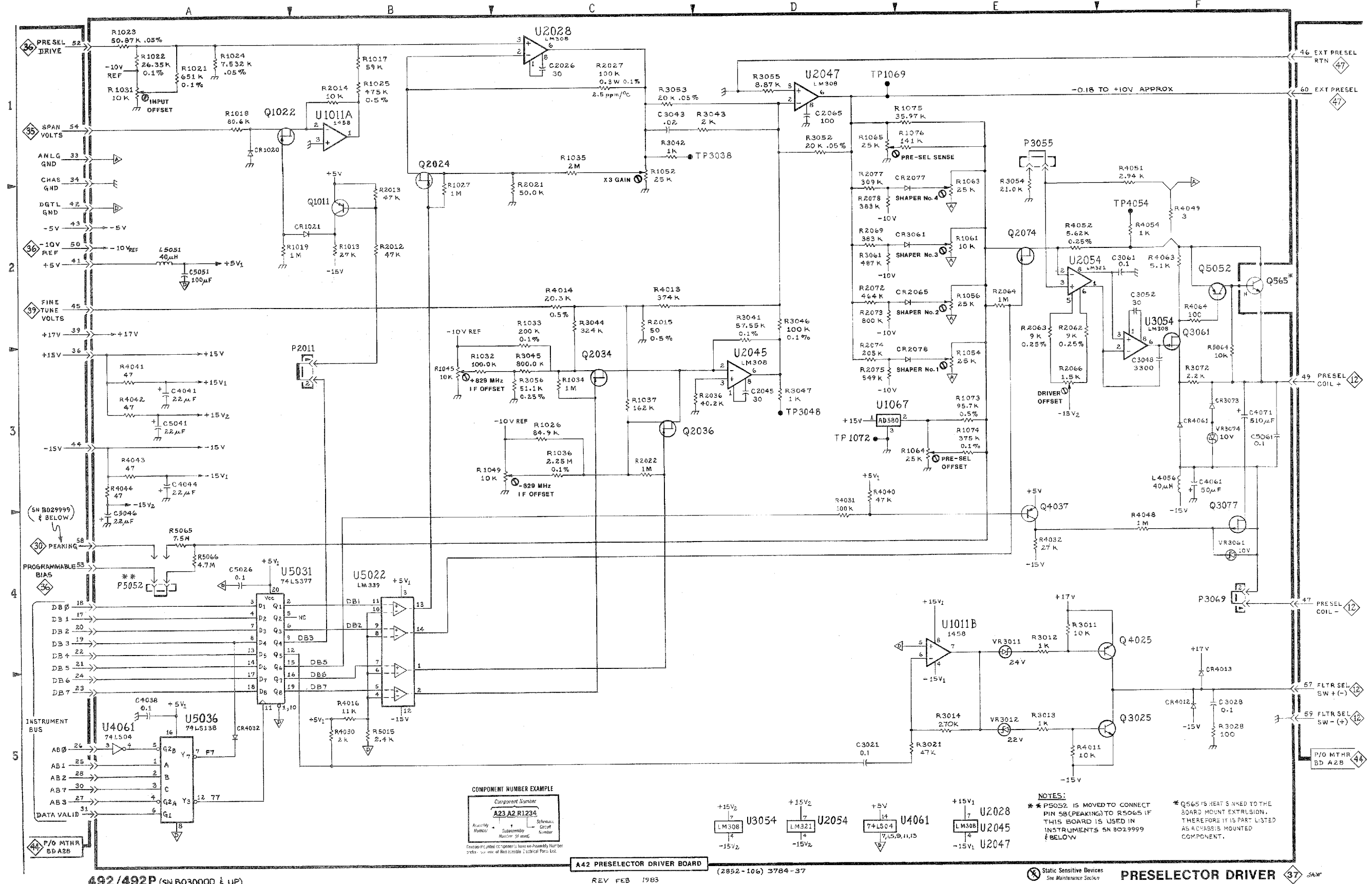


3784-138

PRESELECTOR DRIVER DIAGRAM 37

ASSEMBLY A42

CIRCUIT NUMBER	SCHEM LOCATION	BOARD LOCATION	CIRCUIT NUMBER	SCHEM LOCATION	BOARD LOCATION	CIRCUIT NUMBER	SCHEM LOCATION	BOARD LOCATION	CIRCUIT NUMBER	SCHEM LOCATION	BOARD LOCATION	CIRCUIT NUMBER	SCHEM LOCATION	BOARD LOCATION
C2026	C1	C2	Q2034	C3	C2	R2015	C2	A1	R4040	D3	D4	R2015	C2	A1
C2045	D3	D2	Q2036	C3	C2	R2021	C2	B1	R4041	A3	D4	R2021	C2	B1
C2065	D1	F3	Q2074	E2	F2	R2022	C3	C2	R4042	A3	D4	R2022	C3	C2
C3021	D5	B2	Q3025	F5	A3	R2027	C1	B2	R4043	A3	D4	R2027	C1	B2
C3028	F5	C3	Q3061	F2	F3	R2036	C3	D2	R4044	A3	D4	R2036	C3	D2
C3043	C1	D3	Q3077	F4	G3	R2062	E2	F2	R4048	F4	D4	R2062	E2	F2
C3048	F3	E3	Q4025	F4	B3	R2063	E2	F3	R4049	F2	D4	R2063	E2	F3
C3052	F2	E3	Q4037	E4	C4	R2064	E2	F2	R4051	F2	E4	R2064	E2	F2
C3061	F2	E3	Q5052	F2	E5	R2066	E3	F2	R4052	E2	E4	R2066	E3	F2
C4038	A5	C4				R2069	D2	F2	R4054	F2	E4	R2069	D2	F2
C4041	A3	D4				R2072	D2	G2	R4063	F2	F4	R2072	D2	G2
C4044	A3	D4				R2073	D2	F3	R4064	F2	F4	R2073	D2	F3
C4061	F3	D4				R2074	D3	G3	R5015	B5	A5	R2074	D3	G3
C4071	F3	G4				R2075	D3	F3	R5064	F3	F5	R2075	D3	F3
C5026	A4	B5				R2077	D2	F2	R5065	A4	G2	R2077	D2	F2
C5041	A3	D5				R2078	D2	F2	R5066	A4	F3	R2078	D2	F2
C5046	A4	D5				R3011	E4	A3	TP1069	D1	G1	R3011	E4	A3
C5051	A2	E5				R3012	E4	A3	TP1072	D3	G1	R3012	E4	A3
C5061	F3	E4				R3013	E5	A3	TP3038	C1	C3	R3013	E5	A3
						R3014	E5	A2	TP3048	D3	C3	R3014	E5	A2
CR1020	A1	A1				R3021	E5	B2	TP4054	F2	E4	R3021	E5	B2
CR1021	B2	B1				R3028	F5	C3	U1011A	B1	A2	R3028	F5	C3
CR2065	E2	F2				R3041	D1	D3	U1011B	E4	A2	R3041	D1	D3
CR2077	E2	G2				R3042	C1	D3	U1067	D3	G2	R3042	C1	D3
CR2078	E3	G2				R3043	D1	D3	U2028	C1	C2	R3043	D1	D3
CR3061	E2	F3				R3044	C2	D3	U2045	D3	D2	R3044	C2	D3
CR3073	F3	G3				R3045	C3	D3	U2047	D1	D2	R3045	C3	D3
CR4012	F6	A3				R3046	D2	D2	U2054	E2	E2	R3046	D2	D2
CR4013	F6	A3				R3047	D3	D3	U3054	F2	E3	R3047	D3	D3
CR4032	A5	C4				R3052	D1	D2	U4061	A5	A4	R3052	D1	D2
CR4061	F3	F3				R3053	C1	D3	U5022	F2	E3	R3053	C1	D3
						R3054	E2	D3	U5031	A4	C5	R3054	E2	D3
L4056	F3	E4				R3055	D1	D3	U5036	A5	C5	R3055	D1	D3
L5051	A2	E5				R3061	D2	F3	VR3011	E4	A2	R3061	D2	F3
						R3072	F3	G3	VR3012	E5	A3	R3072	F3	G3
P2011	B3	A2				R4011	E5	A3	VR3061	F4	F3	R4011	E5	A3
P3055	E1	E2				R4013	C2	A5	VR3074	F3	F3	R4013	C2	A5
P3069	F4	G3				R4014	C2	A5				R4014	C2	A5
P5052	A4	E5				R4016	B5	A5				R4016	B5	A5
Q1011	B2	B1				R4030	B5	C4				R4030	B5	C4
Q1022	A1	A1				R4031	D4	C3				R4031	D4	C3
Q2024	B1	B2				R4032	B1	A2				R4032	B1	A2



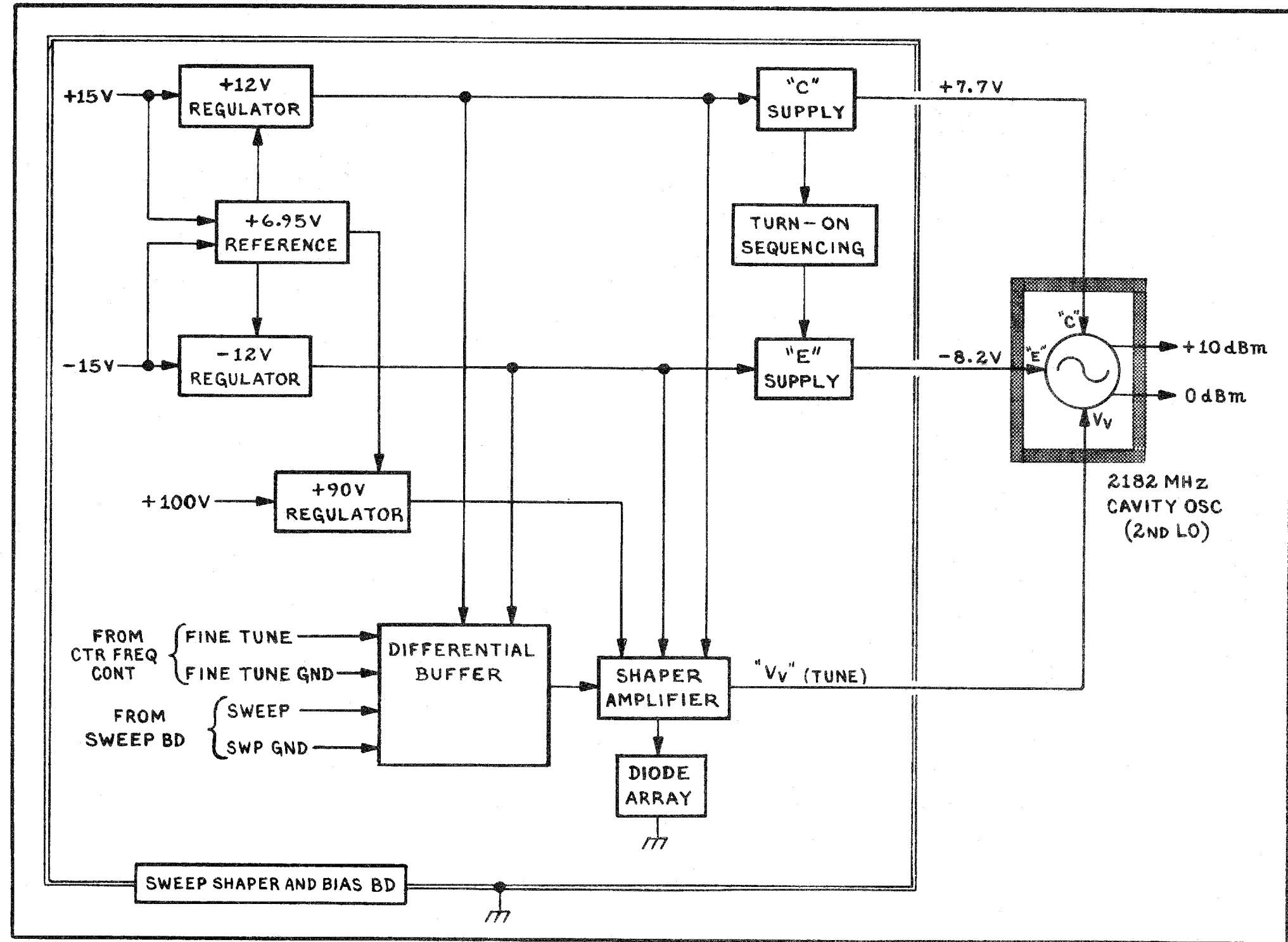
492/492P (SN B030000 & UP)

REV FEB 1985

A42 PRESELECTOR DRIVER BOARD (2852-106) 3784-37

Static Sensitive Devices See Maintenance Section

PRESELECTOR DRIVER 37



(2852-205) 3784-119

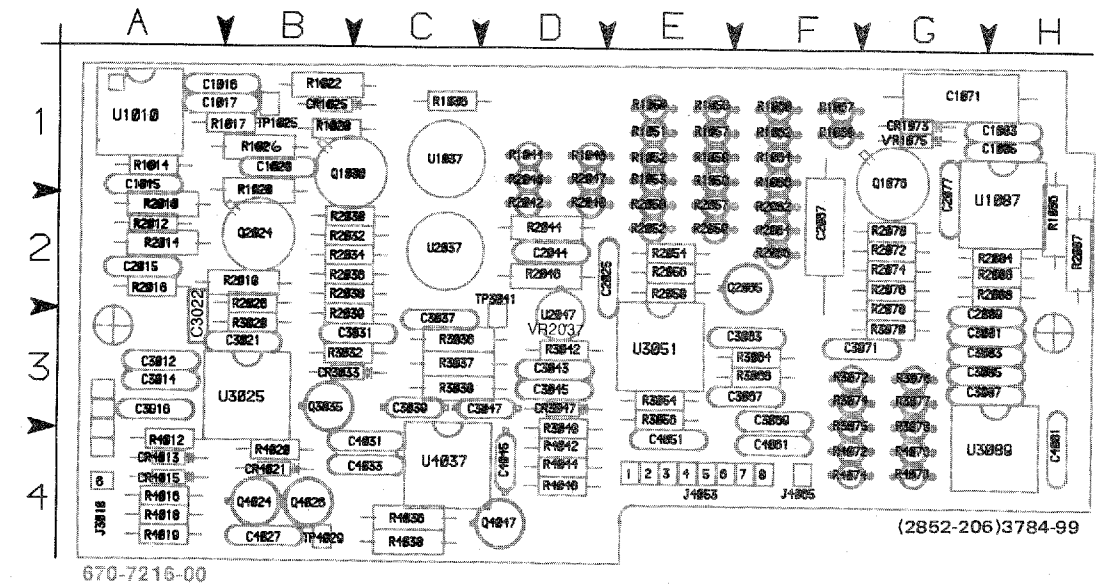
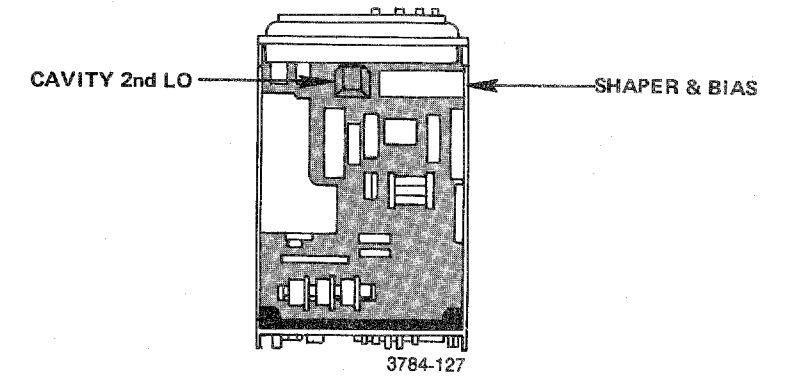
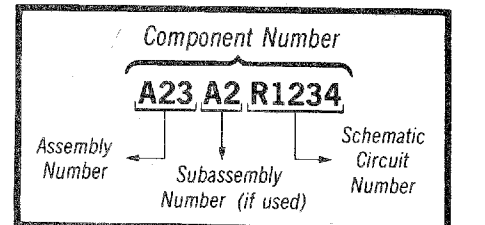


Fig. 8-37. A21—Shaper & Bias circuit board.



⚡ Static Sensitive Devices
See Maintenance Section

COMPONENT NUMBER EXAMPLE



Chassis-mounted components have no Assembly Number prefix—see end of Replaceable Electrical Parts List.

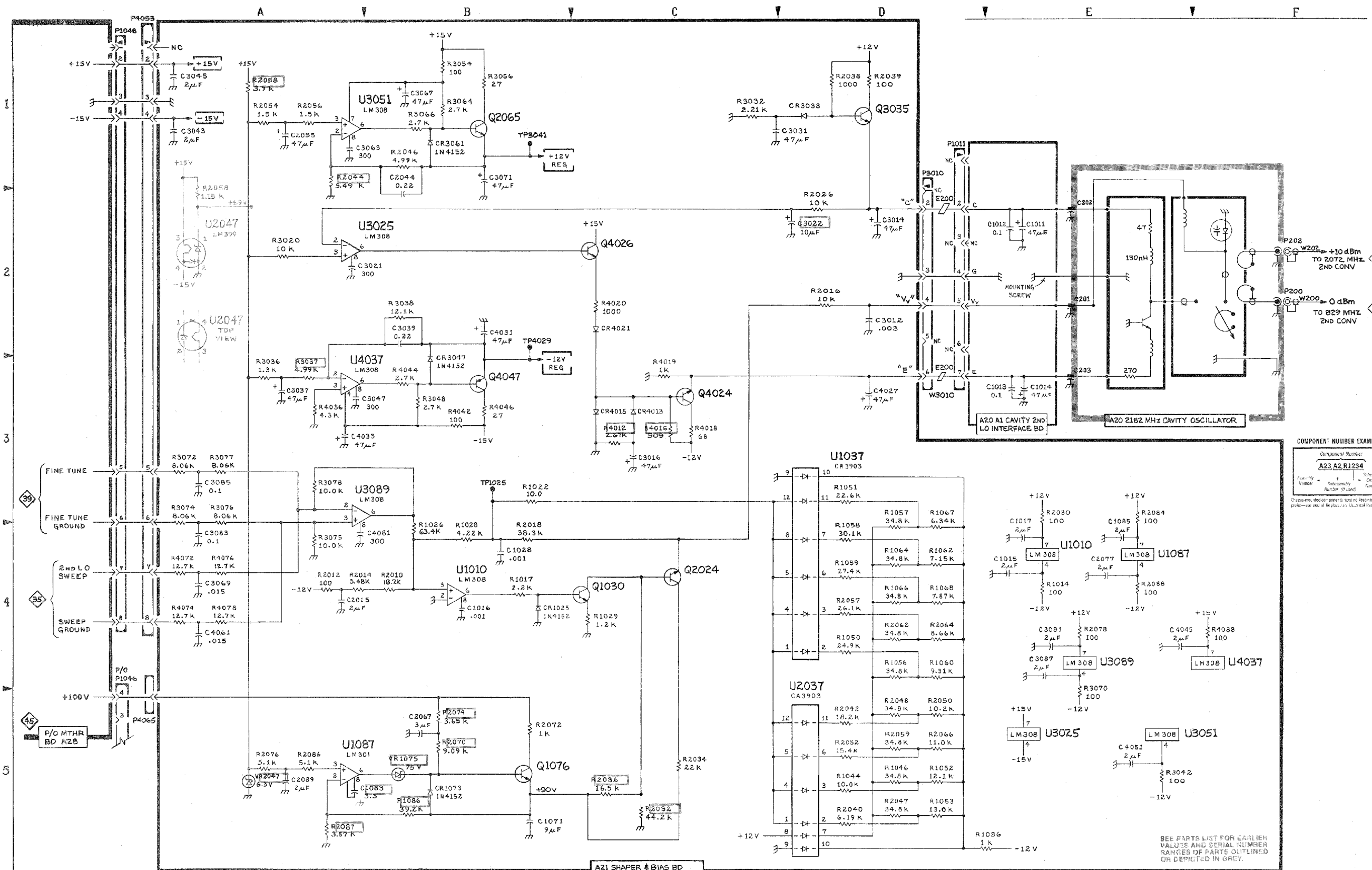
Shaper and Bias for Cavity Oscillator **DIAGRAM 38**

ASSEMBLY A21

CIRCUIT NUMBER	SCHEM LOCATION	BOARD LOCATION	CIRCUIT NUMBER	SCHEM LOCATION	BOARD LOCATION	CIRCUIT NUMBER	SCHEM LOCATION	BOARD LOCATION	CIRCUIT NUMBER	SCHEM LOCATION	BOARD LOCATION
C1015	E4	A1	CR4013	C3	A4	R2018	B4	B2	R3072	A3	F3
C1016	B4	A1	CR4015	C3	A4	R2026	D2	B2	R3074	A3	F3
C1017	E4	A1	CR4021	C2	B4	R2030	E3	B2	R3075	A4	F3
C1028	B4	B1				R2032	C5	B2	R3076	A3	G3
C1071	B5	G1	P4053	A1	E4	R2034	C5	B2	R3077	A3	G3
C1083	A5	H1	P4065	A5	F4	R2036	C5	B2	R3078	A3	G3
C1085	E4	H1				R2038	D1	B2	R4012	C2	A4
C2015	A4	A2	Q1030	C4	B1	R2039	D1	B2	R4016	C3	A4
C2044	B1	D2	Q1076	B5	G1	R2040	D5	D1	R4018	C2	A4
C2055	A1	D2	Q2024	C4	B2	R2042	D5	D2	R4019	D3	A4
C2067	B5	F2	Q2065	B1	F2	R2044	A1	D2	R4020	C2	B4
C2077	E4	G1	Q3035	D1	B3	R2046	B1	D2	R4036	A3	C4
C2089	A5	H2	Q4024	C2	B4	R2047	D5	D1	R4038	F4	C4
C3012	D2	A3	Q4026	C2	B4	R2048	D5	D2	R4042	B3	D4
C3014	D2	A3	Q4047	B3	D4	R2050	D5	E2	R4044	B3	D4
C3016	C3	A3				R2052	D5	E2	R4046	B3	D4
C3021	A2	B3	R1014	E4	A1	R2054	A1	E2	R4072	A4	F4
C3031	C1	B3	R1017	B4	B1	R2056	A1	E2	R4074	A4	F4
C3037	A3	C3	R1022	B3	B1	R2057	D4	E2	R4076	A4	G4
C3039	B2	C3	R1026	B4	B1	R2058	A1	E2	R4078	A4	G4
C3043	A1	D3	R1028	B4	B1	R2059	D5	E2			
C3045	A1	D3	R1029	C4	B1	R2062	D4	F2	TP1025	B3	B1
C3047	A3	D3	R1036	E5	C1	R2064	D4	F2	TP3041	B1	D2
C3063	A1	F3	R1044	D5	D1	R2066	D5	F2	TP4029	B2	B4
C3067	B1	F3	R1046	D5	D1	R2070	B5	G2			
C3069	A4	F3	R1050	D4	E1	R2072	B5	G2	U1010	B4	A1
C3071	H1	F3	R1051	D3	E1	R2074	B5	G2	U1010	E4	A1
C3081	E4	H2	R1052	D5	E1	R2076	A5	G2	U1037	D3	C1
C3083	A4	H3	R1053	D5	E1	R2078	E4	G2	U1087	A5	H1
C3085	A3	H3	R1056	D4	E1	R2084	E3	H2	U1087	E4	H1
C3087	E4	H3	R1057	D4	E1	R2086	A5	H2	U2037	D5	C2
C4027	D3	B4	R1058	D4	E1	R2087	E4	H2	U2047*	A2	D2
C4031	B2	C4	R1059	D4	E1	R3020	A2	B3	U2047	A2	D2
C4033	A3	C4	R1060	D4	F1	R3032	C1	B3	U3025	A2	B3
C4045	E4	D4	R1062	D4	F1	R3036	A3	C3	U3025	E5	B3
C4051	E5	E3	R1064	D4	F1	R3037	A3	C3	U3051	B1	E3
C4061	A4	F4	R1066	D4	F1	R3038	B2	C3	U3051	E5	E3
C4081	A4	H3	R1067	D4	F1	R3042	E5	D3	U3089	A3	H4
			R1068	D4	F1	R3048	B3	D3	U3089	E4	H4
CR1025	B4	B1	R1086	B5	H1	R3054	B1	E3	U4037	A3	C4
CR1073	B5	G1	R2010	B4	A2	R3056	B1	E3	U4037	F4	C4
CR3033	D1	B3	H2012	A4	A2	R3064	B1	F3	VR1075	B5	G1
CR3047	B3	D3	R2014	A4	A2	R3066	B1	F3	VR2047*	A5	D3
CR3061	B1	F3	R2016	D2	A2	R3070	E5	G2			

Shaper & Bias

*See Parts List for serial number ranges.



492/492P (SN 8030000 & UP)

REV FEB 1985

(2852-107) 3784-38

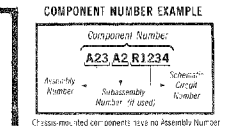
Static Sensitive Devices See Maintenance Section

SHAPER AND BIAS FOR CAVITY OSCILLATOR (SN 8030000 - 8039999)

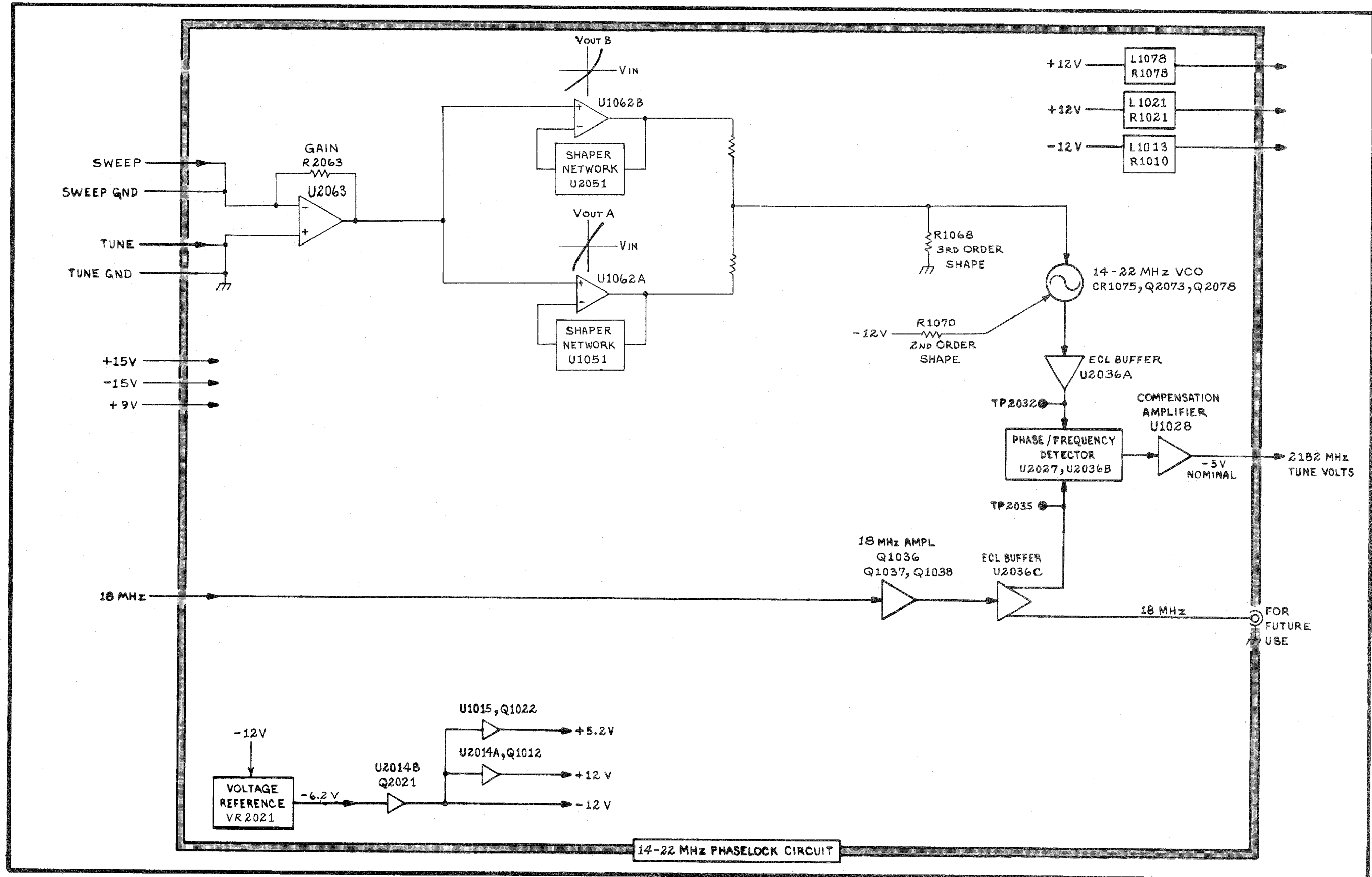
38

SHAPER AND BIAS FOR CAVITY OSCILLATOR

38



SEE PARTS LIST FOR EARLIER VALUES AND SERIAL NUMBER RANGES OF PARTS OUTLINED OR DEPICTED IN GREY.



REV JUL 1981

3784-163

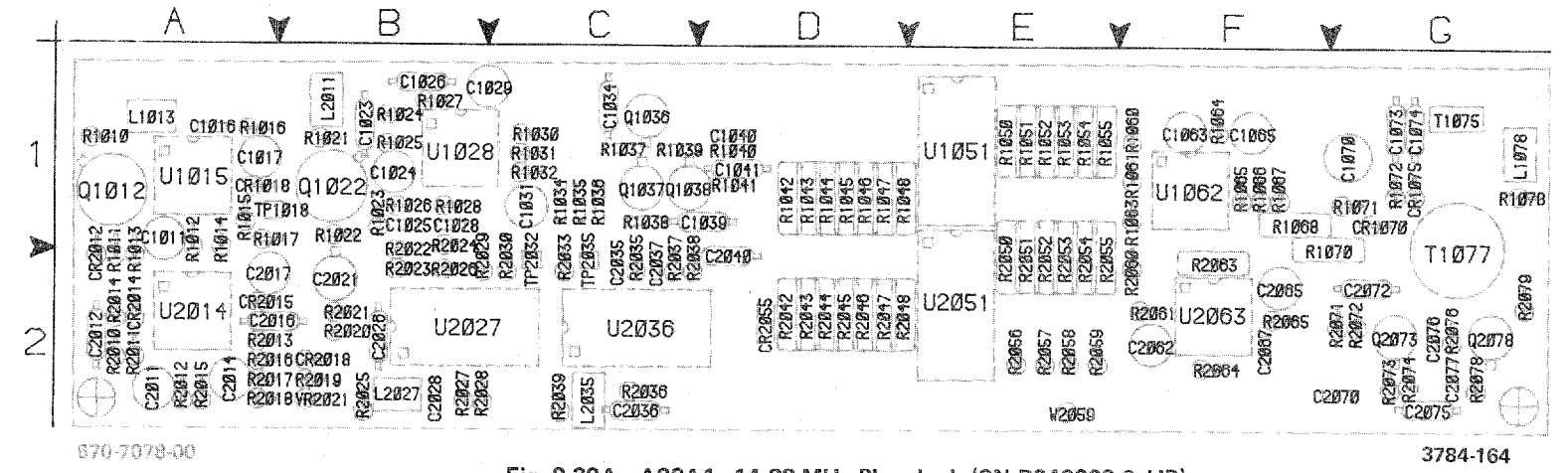


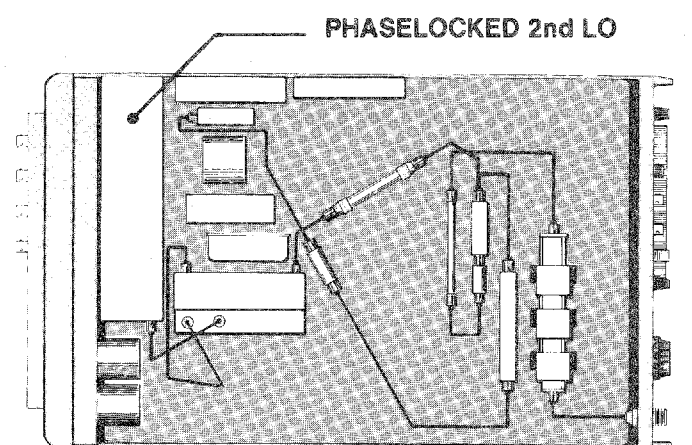
Fig. 8-38A. A22A1-14-22 MHz Phaselock (SN B040000 & UP).

Static Sensitive Devices
See Maintenance Section

COMPONENT NUMBER EXAMPLE

Component Number	
A23 A2 R1234	
Assembly Number	Schematic Circuit Number
Subassembly Number (if used)	

Chassis-mounted components have no Assembly Number prefix—see end of Replaceable Electrical Parts List



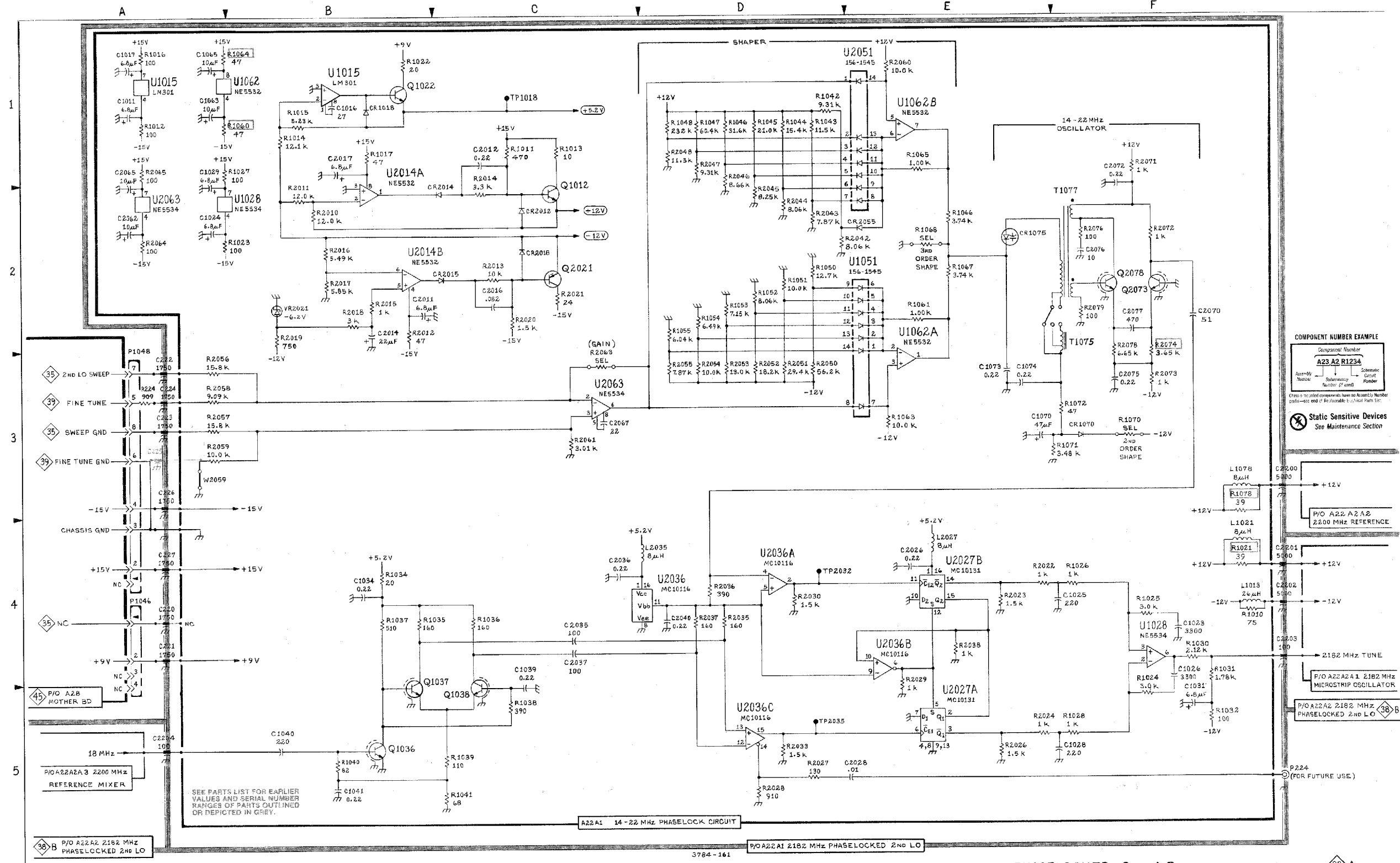
PHASELOCKED 2ND LO (PHASELOCK SECTION) DIAGRAM 38A

ASSEMBLY A22A1

Table with 10 columns: CIRCUIT NUMBER, SCHEM LOCATION, BOARD LOCATION. Lists components for Assembly A22A1 including C1011, C1016, C1017, etc.

ASSEMBLY A22

Table with 10 columns: CIRCUIT NUMBER, SCHEM LOCATION, BOARD LOCATION. Lists components for Assembly A22 including C220, C221, C222, C223.



492/492 P(SN 8030000 & UP)

3784-161 REV FEB 1985

PHASELOCKED 2ND LO (PHASELOCK SECTION)

38A

PHASE LOCKED 2ND LO PHASE LOCK SECTION (SN B040000 & UP)

38A

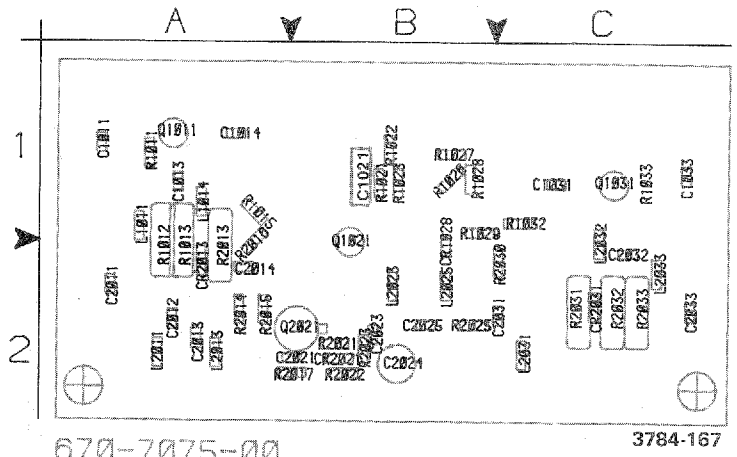
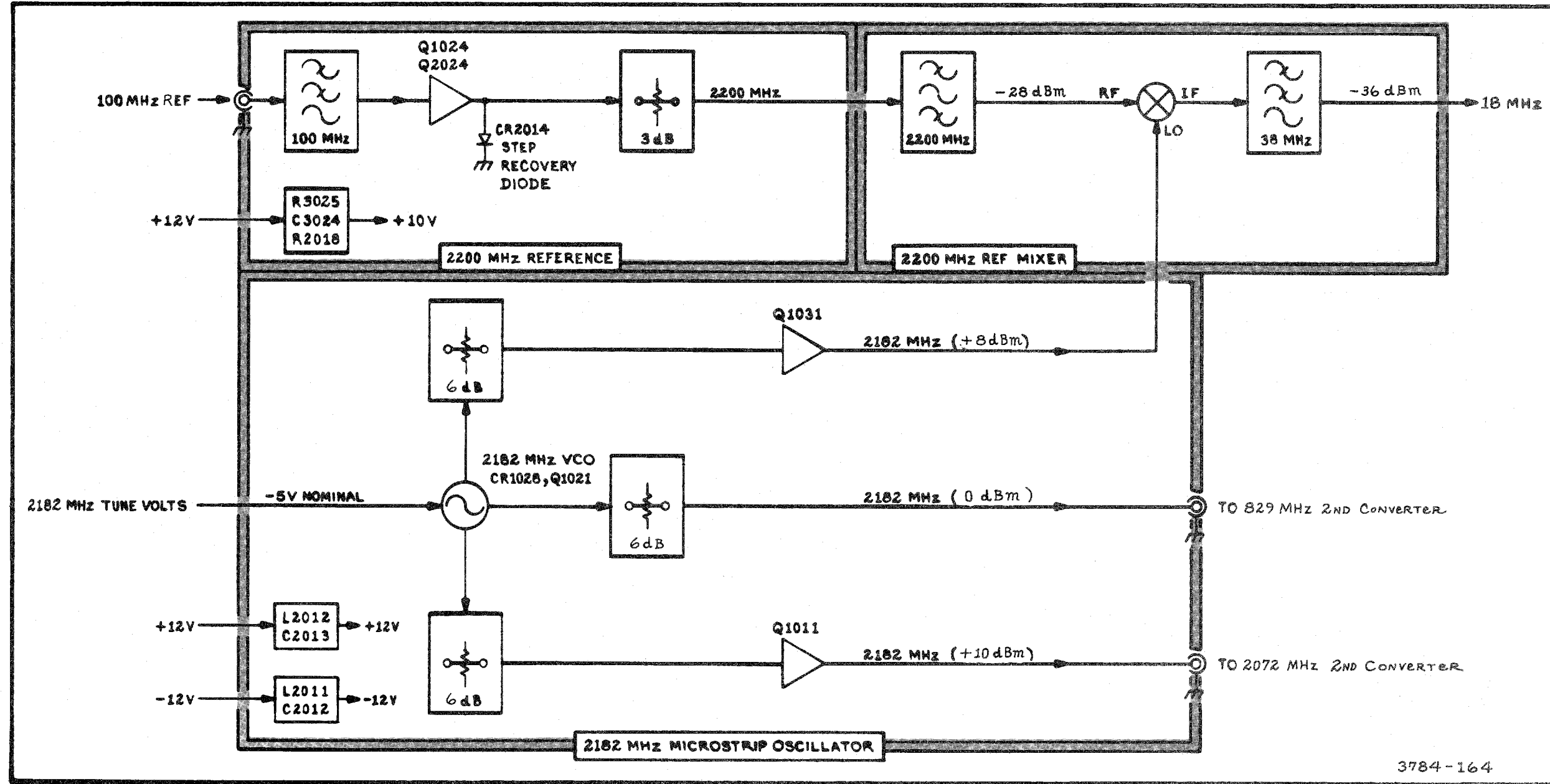


Fig. 8-38B. A22A2A1-2182 MHz Microstrip Oscillator circuit board (SN B040000 & UP).

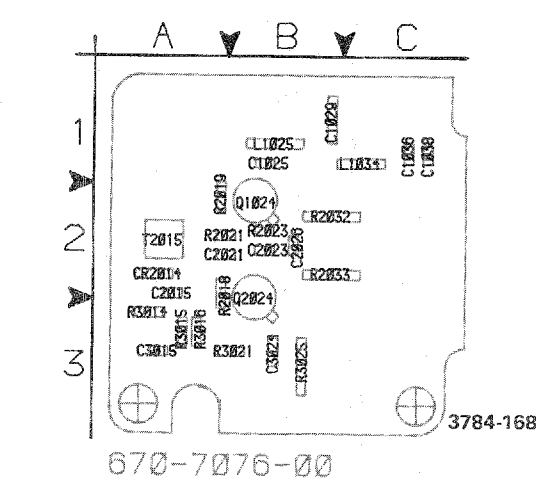


Fig. 8-38C. A22A2A2-2200 MHz Reference (SN B040000 & UP).

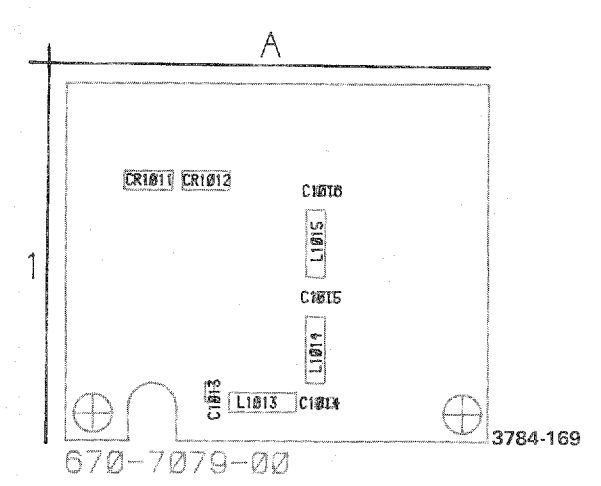
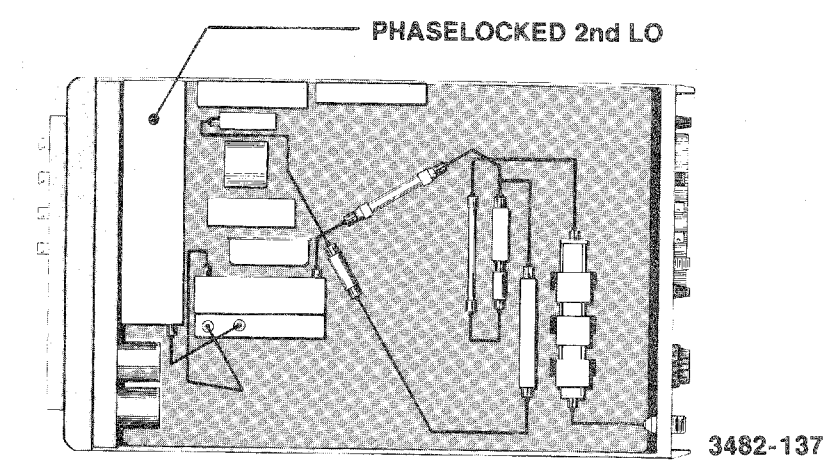


Fig. 8-38D. A22A2A3-2200 MHz Reference Mixer circuit board (SN B040000 & UP).



PHASELOCKED 2ND LO (LO SECTION) DIAGRAM **38 B**

ASSEMBLY A22A2A1

CIRCUIT NUMBER	SCHEM LOCATION	BOARD LOCATION	CIRCUIT NUMBER	SCHEM LOCATION	BOARD LOCATION	CIRCUIT NUMBER	SCHEM LOCATION	BOARD LOCATION	CIRCUIT NUMBER	SCHEM LOCATION	BOARD LOCATION	CIRCUIT NUMBER	SCHEM LOCATION	BOARD LOCATION	CIRCUIT NUMBER	SCHEM LOCATION	BOARD LOCATION
C1011	E3	A1	C2201	A3	NA	Q1011	D4	A1	R2013	D4	A2						
C1013	E4	A1	C2202	A3	NA	Q1021	C5	B1	R2014	B5	A2						
C1014	D4	A1	C2203	A3	NA	Q1031	D3	C1	R2015	C5	A2						
C1021	C5	B1				Q2021	B5	B2	R2016	C5	A2						
C1022	C4	B2	CR1028	C3	B1				R2017	B4	A2						
C1031	C3	C1	CR2013	D4	A2	R1011	E3	A1	R2021	B5	B2						
C1033	E3	C1	CR2021	B4	B2	R1012	D4	A1	R2022	B4	B2						
C2011	E4	A2	CR2031	D3	C2	R1013	D4	A1	R2023	B4	B2						
C2012	A3	A2				R1015	C5	A1	R2025	B3	B2						
C2013	A3	A2	L1011	E4	A1	R1021	C4	B1	R2030	C3	C2						
C2014	C5	A2	L1014	D4	A1	R1022	C4	B1	R2031	D3	C2						
C2021	B5	B2	L2011	A3	A2	R1023	C4	B1	R2032	D3	C2						
C2023	B4	B2	L2013	A3	A2	R1026	C3	B1	R2033	D3	C2						
C2024	B4	B2	L2023	B4	B2	R1027	C3	B1									
C2025	B3	B2	L2025	B3	B2	R1028	C3	B1	TP1015	C5	A1						
C2031	A3	C2	L2031	A3	C2	R1029	C3	B1									
C2032	D3	C2	L2032	D3	C2	R1032	C3	C1									
C2033	E3	C2	L2033	E3	C2	R1033	E3	C1									

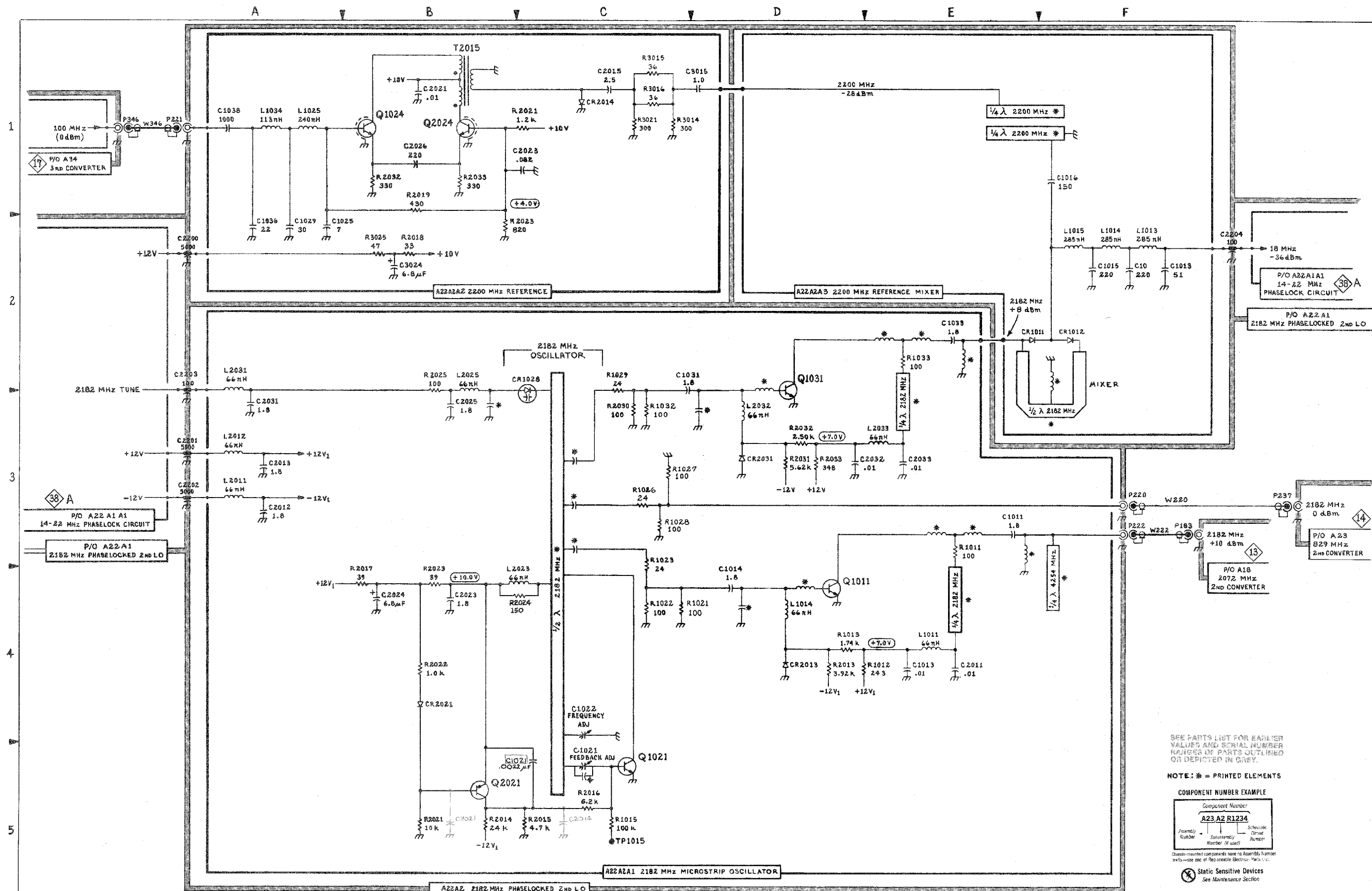
ASSEMBLY A22A2A2

CIRCUIT NUMBER	SCHEM LOCATION	BOARD LOCATION	CIRCUIT NUMBER	SCHEM LOCATION	BOARD LOCATION	CIRCUIT NUMBER	SCHEM LOCATION	BOARD LOCATION	CIRCUIT NUMBER	SCHEM LOCATION	BOARD LOCATION
C1021*	B5	B2	C3024	B2	B3	R2018	B2	A2	R3016	C1	A3
C1025	A2	B1				R2019	B1	A2	R3021	C1	B3
C1029	A2	B1				R2021	C1	A2	R3025	B2	B3
C1036	A2	C1	CR2014	C1	A2	R2023	B2	B2			
C1038	A1	C1				R2024	B1	B2	T2015	B1	A2
C2014*	C5	A2	L1025	A1	B1	R2033	B1	B2			
C2015*	C1	A2	L1034	A1	C1	R2033	B1	B2			
C2021	B1	A2	Q1024	B1	B2	R2034	B2	B2			
C2023	C1	B2	Q2024	B1	B2	R3014	C1	A3			
C2026	B1	B2				R3015	C1	A3			
C3015	D1	A3									

ASSEMBLY A22A2A3

CIRCUIT NUMBER	SCHEM LOCATION	BOARD LOCATION	CIRCUIT NUMBER	SCHEM LOCATION	BOARD LOCATION	CIRCUIT NUMBER	SCHEM LOCATION	BOARD LOCATION	CIRCUIT NUMBER	SCHEM LOCATION	BOARD LOCATION
C1013	F2	A1	C1016	F1	A1	CR1011	E2	A1	L1013	F2	A1
C1014	F2	A1	C2204	F2	NA	CR1012	F2	A1	L1014	F2	A1
C1015	F2	A1									

*See Parts List for serial number ranges.



492/492P

3784-162
REV MAR 1985

PHASELOCKED 2ND LO (LO SECTION) **38 B**

PHASELOCK 2ND LO (LO SECTION) SN B040000 SUP **38B**

SEE PARTS LIST FOR EARLIER VALUES AND SERIAL NUMBER RANGES. PARTS OBTAINED OR DEPICTED IN GREY.

NOTE: * = PRINTED ELEMENTS

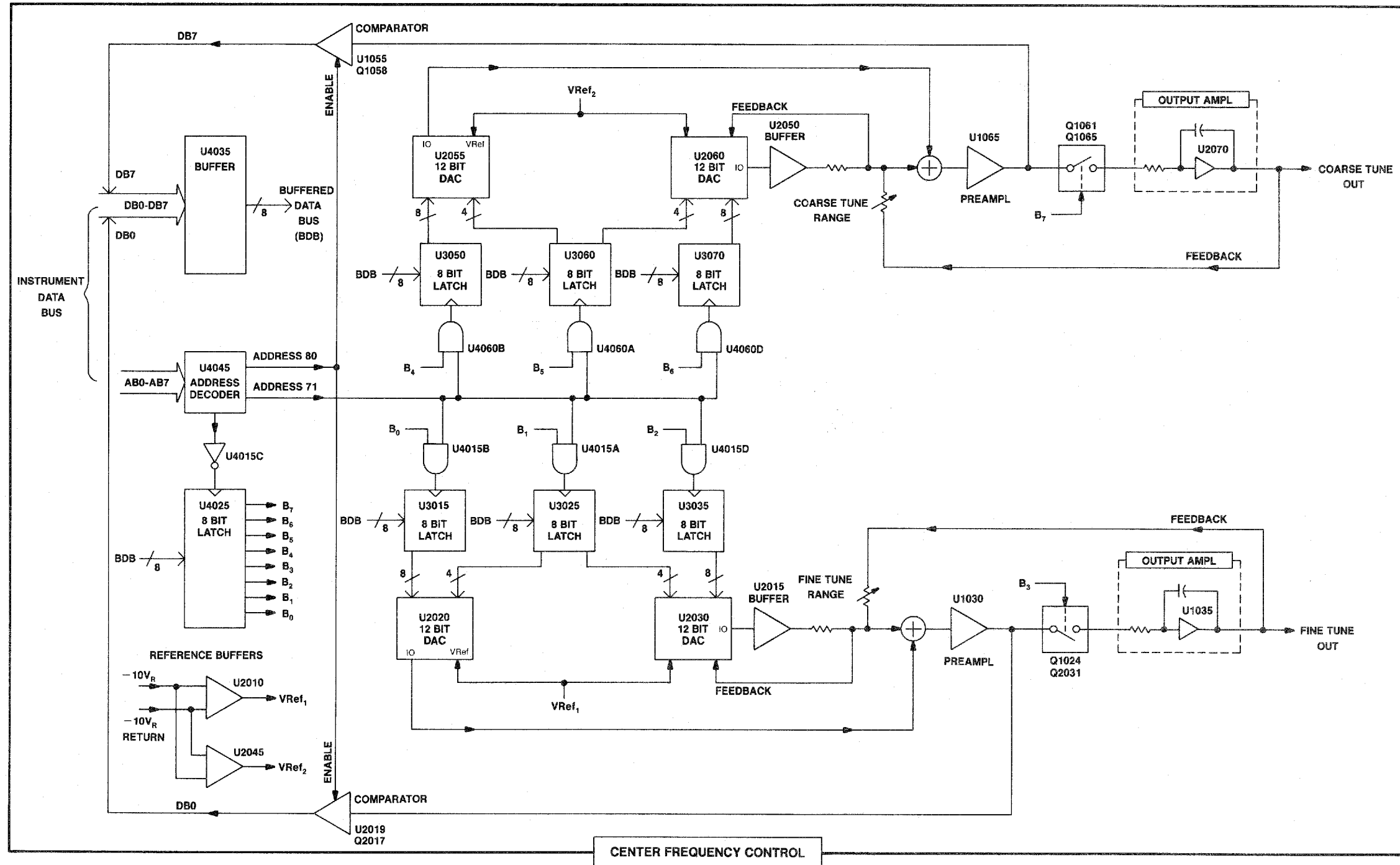
COMPONENT NUMBER EXAMPLE

Component Number
A22 A2 R1234

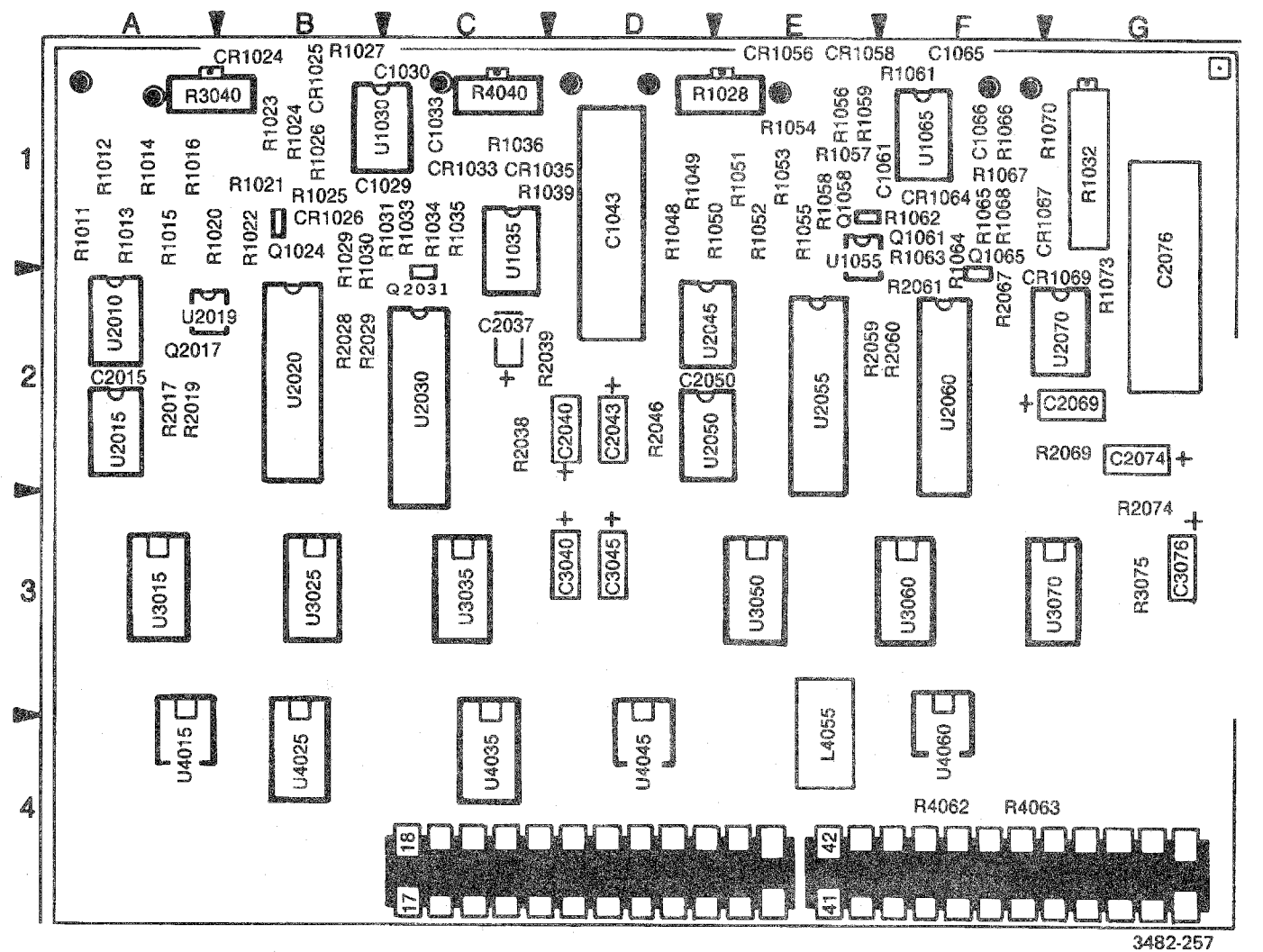
Printed Number Subassembly Number Serial Number

Character marked components have no Assembly Number unless otherwise specified in the parts list.

Static Sensitive Devices



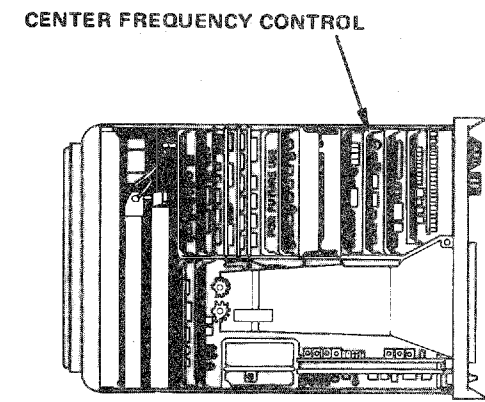
3482-256



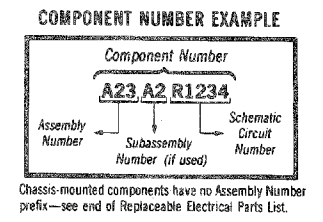
670-9094-00

3482-257

Fig. 8-38E. A46—Center Frequency Control circuit board (SN B055508).



3784-144

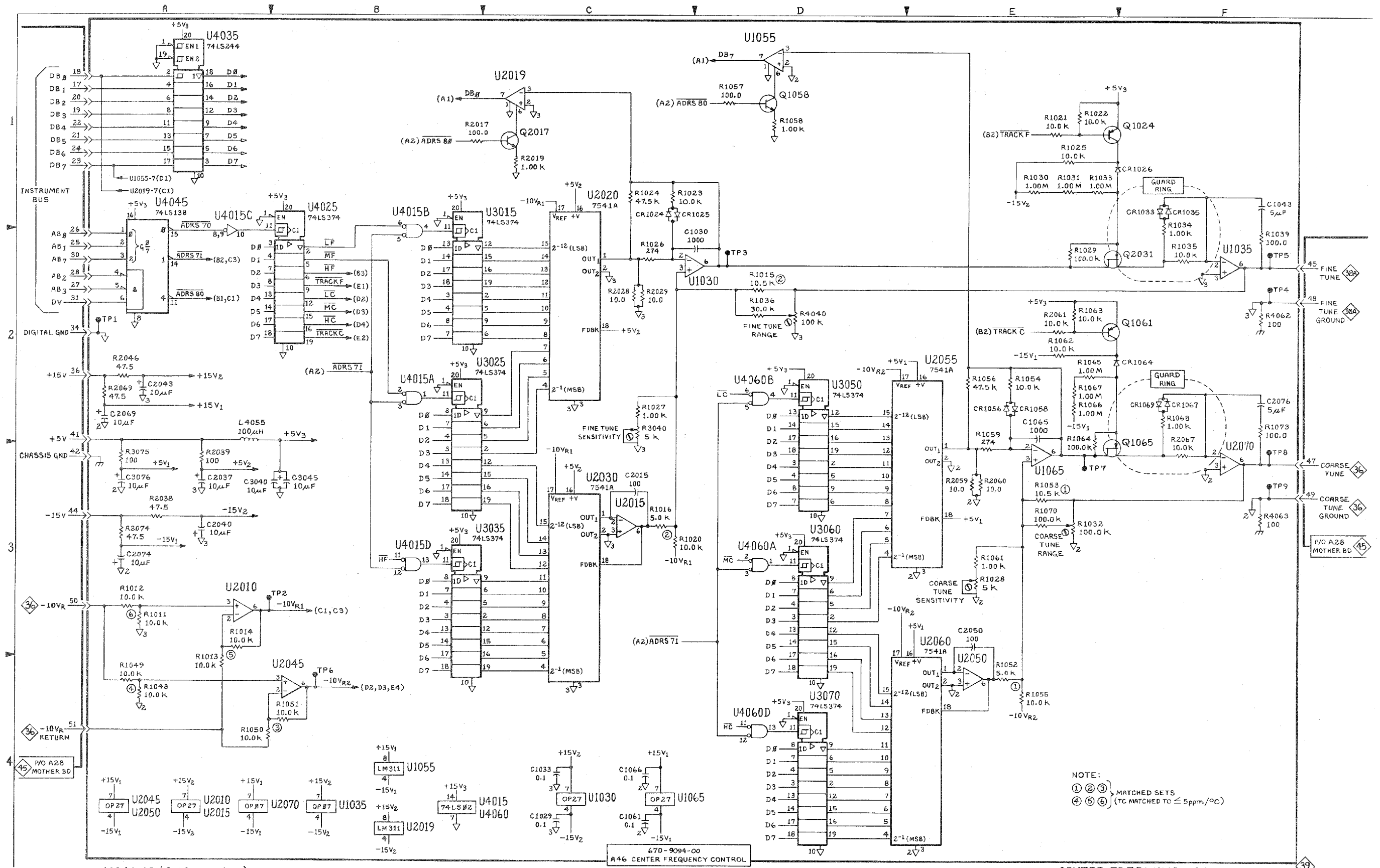


CENTER FREQUENCY CONTROL
SN B055508 & UP

ASSEMBLY A46

CIRCUIT NUMBER	SCHEM LOC	BOARD LOC	CIRCUIT NUMBER	SCHEM LOC	BOARD LOC	CIRCUIT NUMBER	SCHEM LOC	BOARD LOC
C1029	C4	B1	R1027	C2	B1	R4040	D2	C1
C1030	C2	C1	R1028	E3	D1	R4062	F2	F4
C1033	C4	C1	R1029	E2	B1	R4063	F3	F4
C1043	F1	B1	U1030	E1	B1	U1030	C2	C1
C1061	C4	F1	R1031	E1	C1	U1035	F2	C1
C1065	F1	E1	R1032	E1	G1	U1055	D1	E1
C1066	C4	F1	R1033	E1	C1	U1065	E3	F1
C2015	C3	A2	R1034	F1	C1	U2010	A3	A2
C2037	A3	C2	R1035	F2	C1	U2015	C3	A2
C2040	A3	D2	R1036	D2	C1	U2019	C1	A2
C2043	A2	D2	R1039	F2	C1	U2020	C1	B2
C2050	E3	D2	R1048	A4	D1	U2030	C3	C2
C2069	A2	G2	R1049	A4	D1	U2045	B4	D2
C2074	A3	G2	R1050	A4	E1	U2050	E4	D2
C2076	F2	G1	R1051	F1	B4	U2055	E2	E2
C3040	A3	D3	R1052	E4	E1	U2060	E4	F2
C3045	B3	D3	R1053	E3	E1	U2070	F3	G2
C3076	A3	G3	R1054	E2	E1	U3015	B2	A3
CR1024	C1	B1	R1055	E1	E1	U3025	B2	B3
CR1025	C1	B1	R1056	E2	E1	U3035	B3	C3
CR1026	E1	B1	R1057	D1	E1	U3050	D2	E3
CR1033	F1	C1	R1058	D1	E1	U3060	D3	F3
CR1035	F1	C1	R1059	E1	E1	U3070	D4	G3
CR1056	E2	E1	R1061	E3	F1	U4015	B2	A4
CR1058	E2	E1	R1062	E1	E1	U4025	B1	B4
CR1064	E2	F1	R1063	E2	F1	U4035	A1	C4
CR1067	F2	G1	R1064	E3	F1	U4045	A1	D4
CR1069	F2	G2	R1065	E2	F1	U4060	D3	F4
L4055	A2	E4	R1066	E2	F1			
Q1024	E1	B1	R1067	E2	F1			
Q1058	D1	E1	R1068	F2	F1			
Q1061	E2	F1	R1070	E3	G1			
Q1065	E3	F1	R1073	F2	G2			
Q2017	C1	A2	R2017	B1	A2			
Q2031	F2	C2	R2019	C1	A2			
R1011	A3	A1	R2028	C2	B2			
R1012	A3	A1	R2029	C2	B2			
R1013	A4	A1	R2038	A3	C2			
R1014	A3	A1	R2039	A3	C2			
R1015	A2	D2	R2046	A2	D2			
R1016	C3	A1	R2059	E3	E2			
R1020	C3	B1	R2060	E3	F2			
R1021	E1	B1	R2061	E2	F2			
R1022	E1	B1	R2067	F3	F2			
R1023	C1	B1	R2069	A2	G2			
R1024	C1	B1	R2074	A3	G3			
R1025	E1	B1	R3040	C2	A1			
R1026	C2	B1	R3075	A3	G3			

*See Parts List for serial number ranges.



492/492P (SN B03000) UP

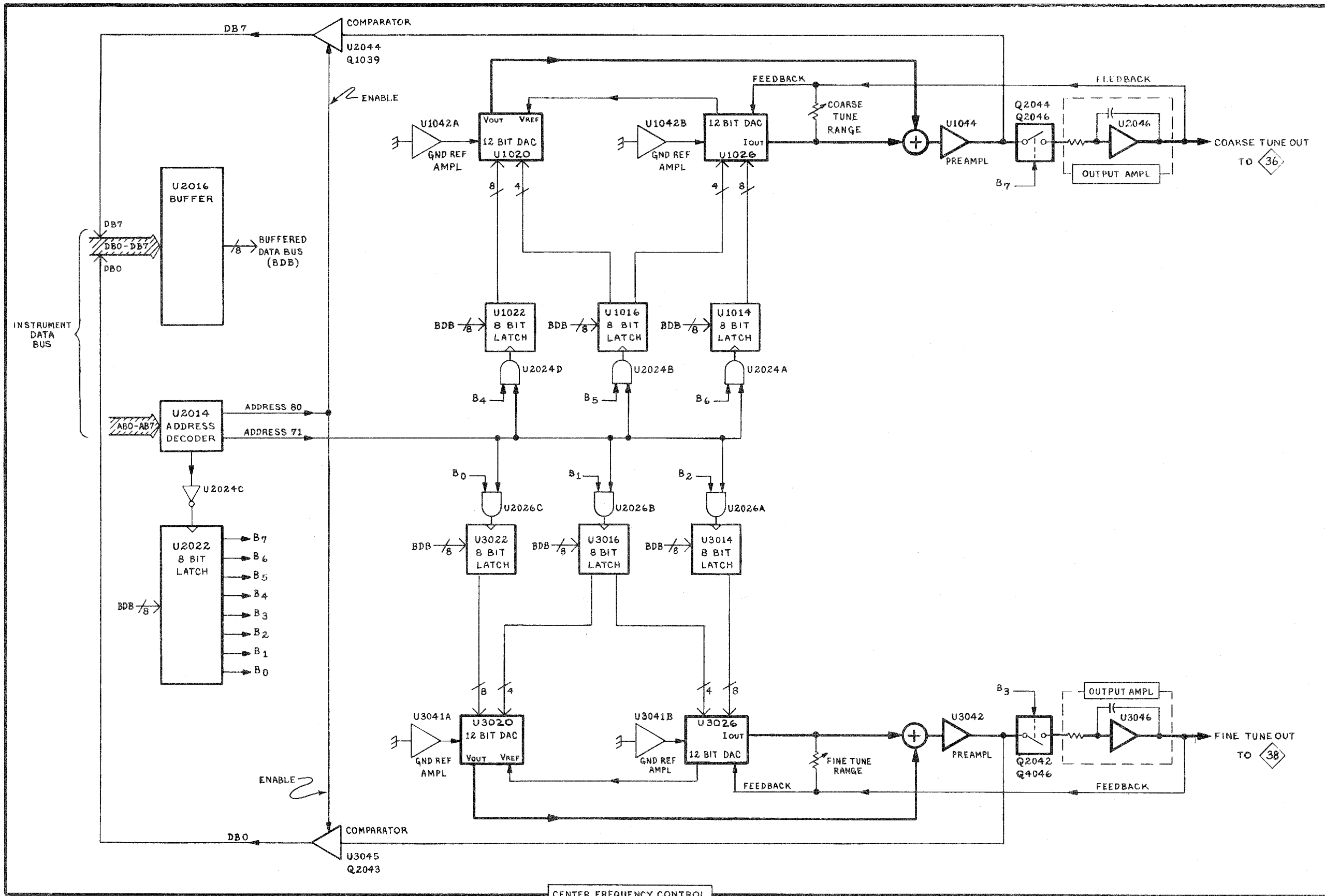
670-9094-00
 A46 CENTER FREQUENCY CONTROL
 (3482-258) 3784-201

ADD OCT 1985

CENTER FREQUENCY CONTROL
 (SN B055508 AND UP)

NOTE:
 (1) (2) (3) MATCHED SETS
 (4) (5) (6) (TC MATCHED TO ≤ 5 ppm/°C)

CENTER FREQUENCY CONTROL
 (SN B055508 & UP)



(2852-209) 3784-172
ADD OCT 1985

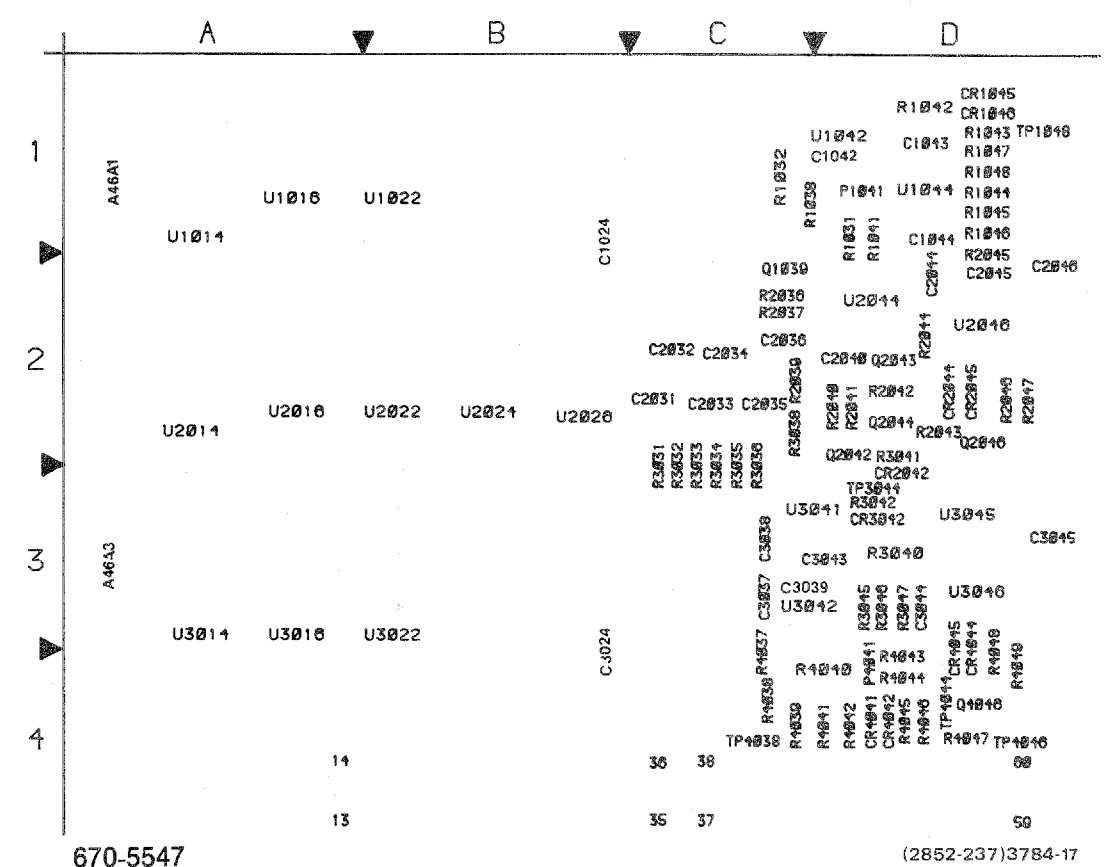
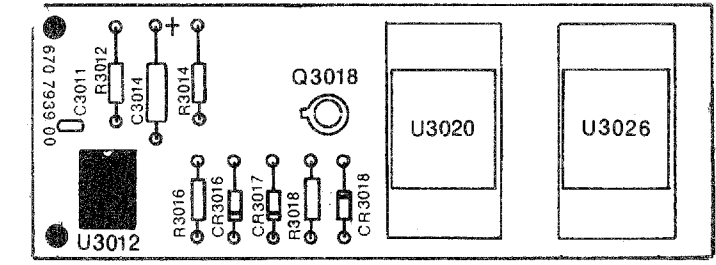
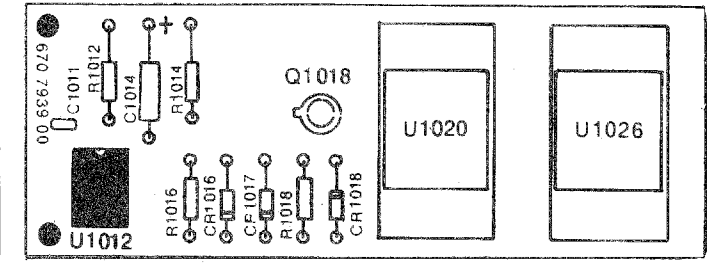


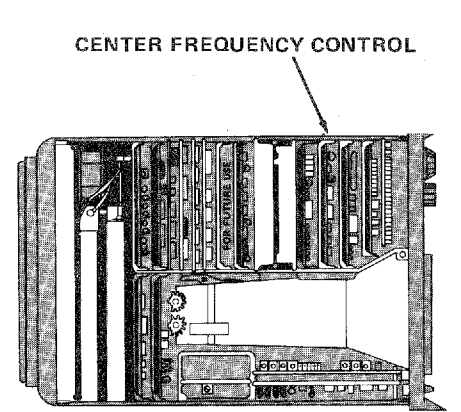
Fig. 8-38F. A46—Center Frequency Control circuit board (SN B042480—B055507).



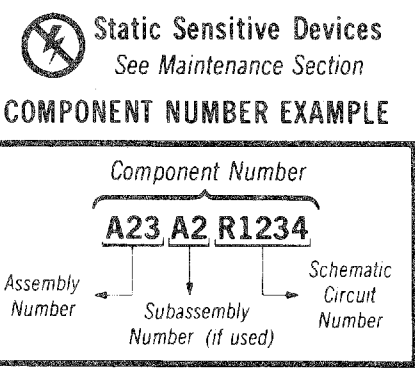
A46A3—DAC 1200 Interface (fine tune frequency)
SN B042480—B055507.



A46A1—DAC 1200 Interface (coarse tune frequency)
SN B042480—B055507.



CENTER FREQUENCY CONTROL



Chassis-mounted components have no Assembly Number prefix—see end of Replaceable Electrical Parts List.

CENTER FREQUENCY CONTROL
SN B042480—B055507

ASSEMBLY A46

CIRCUIT NUMBER	SCHEM LOCATION	BOARD LOCATION	CIRCUIT NUMBER	SCHEM LOCATION	BOARD LOCATION	CIRCUIT NUMBER	SCHEM LOCATION	BOARD LOCATION
C1024†	C1	C2	R1041	C1	D1	R4045	D4	D4
C1042†	D1	D1	R1043	C1	D1	R4046	D4	D4
C1043	D1	D1	R1044	C1	D1	R4047	E1	D4
C1044	A4	D1	R1045	C1	D1	R4048	E4	D4
C2031	A3	C2	R1046	C1	D1	R4049	E4	D4
C2032	A3	C2	R1047	C1	D1	TP1029	B1	B1
C2033	A3	C2	R1048	C1	D1	TP3044	A2	D3
C2034	A3	C2	R2036	B2	C2	TP4038	C4	C4
C2035	A3	C2	R2037	A2	C2	TP4044	E4	D4
C2036	A4	C2	R2039	A4	C2	TP4046	E1	D4
C2040	A4	D2	R2040	D4	D2	U1014	E3	A1
C2044	A4	D2	R2041	D1	D7	U1016	D2	A1
C2045	F1	D2	R2042	D1	D2	U1022	C2	B1
C2046	F1	D2	R2043	E1	D2	U1042A	B2	D1
C3024†	C4	B4	R2044	A2	D2	U1042B	E3	D1
C3037	B4	C3	R2045	E1	D2	U1044	C1	D1
C3038	D4	C3	R2046	E1	D2	U2014	A2	A2
C3039†	D4	D3	R2047	E1	D2	U2016	A1	A2
C3043	B4	D3	R3026	E3	D2	U2022	A3	B2
C3044	F5	D3	R3032	A3	C3	U2024A	Q2	B2
C3045	E4	D3	R3033	A3	C3	U2024B	C2	B2
CR1045	C1	D1	R3034	A3	C3	U2024C	A3	B2
CR1046	C1	D1	R3035	A3	C3	U2024D	B2	B2
CR2042	D1	D3	R3036	A4	C3	U2026A	D3	B2
CR2044	E1	D2	R3038	D4	C3	U2026B	C3	B2
CR2045	E1	D2	R3040	C4	D3	U2026C	B3	B2
CR3042	D4	D3	R3041	D1	D3	U2044	A1	D2
CR4041	C4	D4	R3042	D4	D3	U2046	E1	D2
CR4042	C4	D4	R3043	E1	D3	U3014	E3	A3
CR4044	D4	D4	R3045	D4	D3	U3016	D3	A3
CR4045	E4	D4	R3046	D4	D3	U3022	C3	B4
P1041	E1	D1	R3047	C4	D3	U3041A	B3	D3
P4041	E4	D4	R4037	C4	C4	U3041B	D4	D3
Q1039	A2	C2	R4038	E4	C4	U3042	C4	D3
Q2042	D4	D2	R4039	C4	C4	U3045	A2	D3
Q2043	A2	D2	R4040	E4	D4	U3046	E4	D3
Q2044	D1	D2	R4041	C4	D4			
Q2046	E1	D2	R4042	E4	D4			
Q4046	E1	D4	R4043	C4	D4			
R1026	E3	D1	R4044	C4	D4			
R1028	D2	D1						
R1031	A2	D1						
R1032	E1	C1						
R1038	E1	C1						

ASSEMBLY A46A1

CIRCUIT NUMBER	SCHEM LOCATION	BOARD LOCATION
C1011	D2	A1
C1014	D2	A1
CR1016	D2	A2
CR1017	D2	A2
CR1018	C2	B2
Q1012	D2	A1
U1020	C2	B1
U1026	E2	C1

DAC 1200 INTERFACE

CIRCUIT NUMBER	SCHEM LOCATION	BOARD LOCATION
R1012	D2	A1
R1014	D2	A1
R1016	D2	A2
R1018	C2	B2

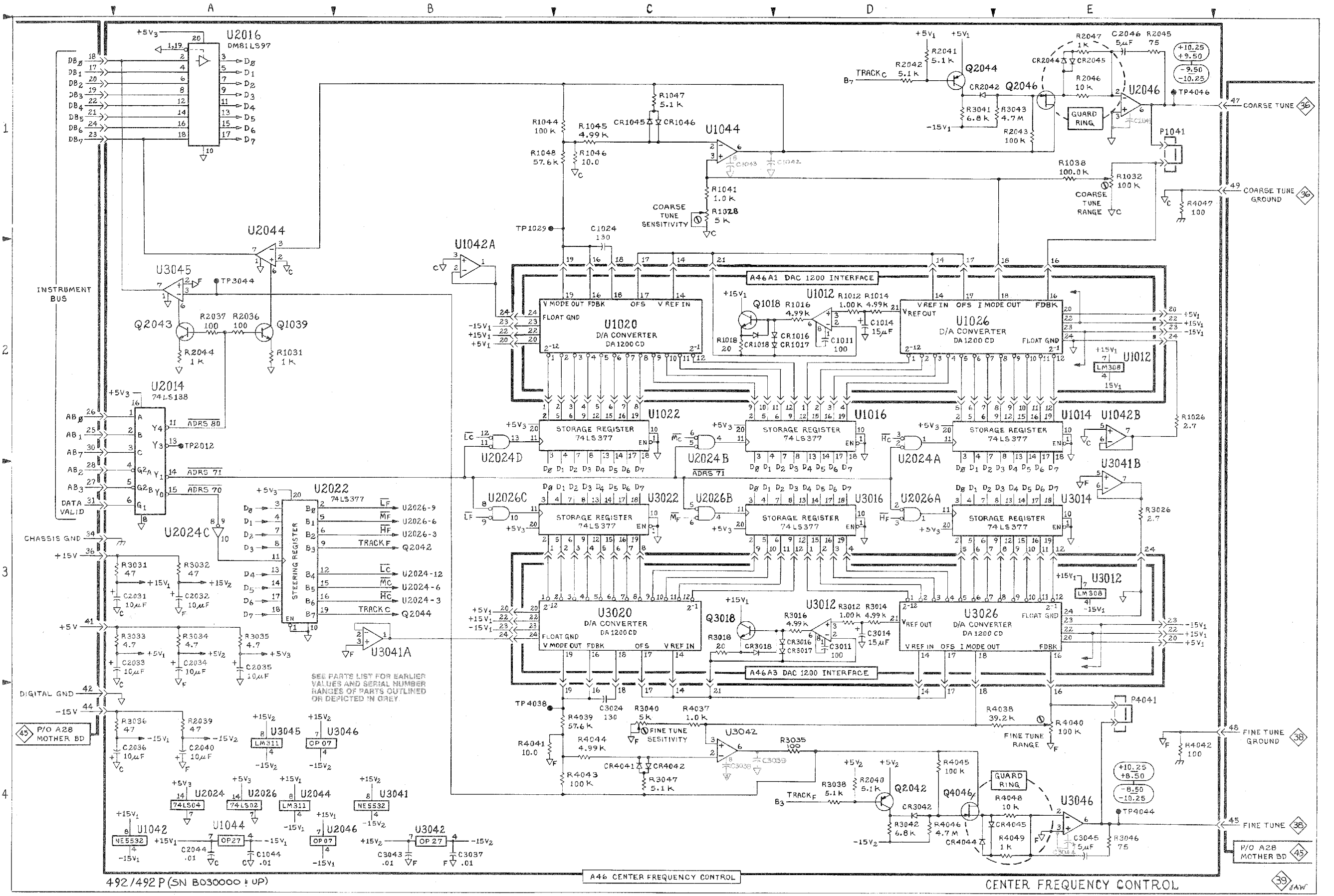
ASSEMBLY A46A3

CIRCUIT NUMBER	SCHEM LOCATION	BOARD LOCATION
C3011	D3	A3
C3014	D3	A3
CR3016	D3	A3
CR3017	D3	A3
CR3018	D3	A3
Q3018	D3	B3

DAC 1200 INTERFACE

CIRCUIT NUMBER	SCHEM LOCATION	BOARD LOCATION
R3012	D3	A3
R3014	D3	A3
R3016	D3	A4
R3018	D3	A4
U3012	D3	A4
U3020	C3	B4
U3026	C3	B4

*See Parts List for serial number ranges.
 †Located on back of board.



492/492P (SN B030000 & UP)

A46 CENTER FREQUENCY CONTROL

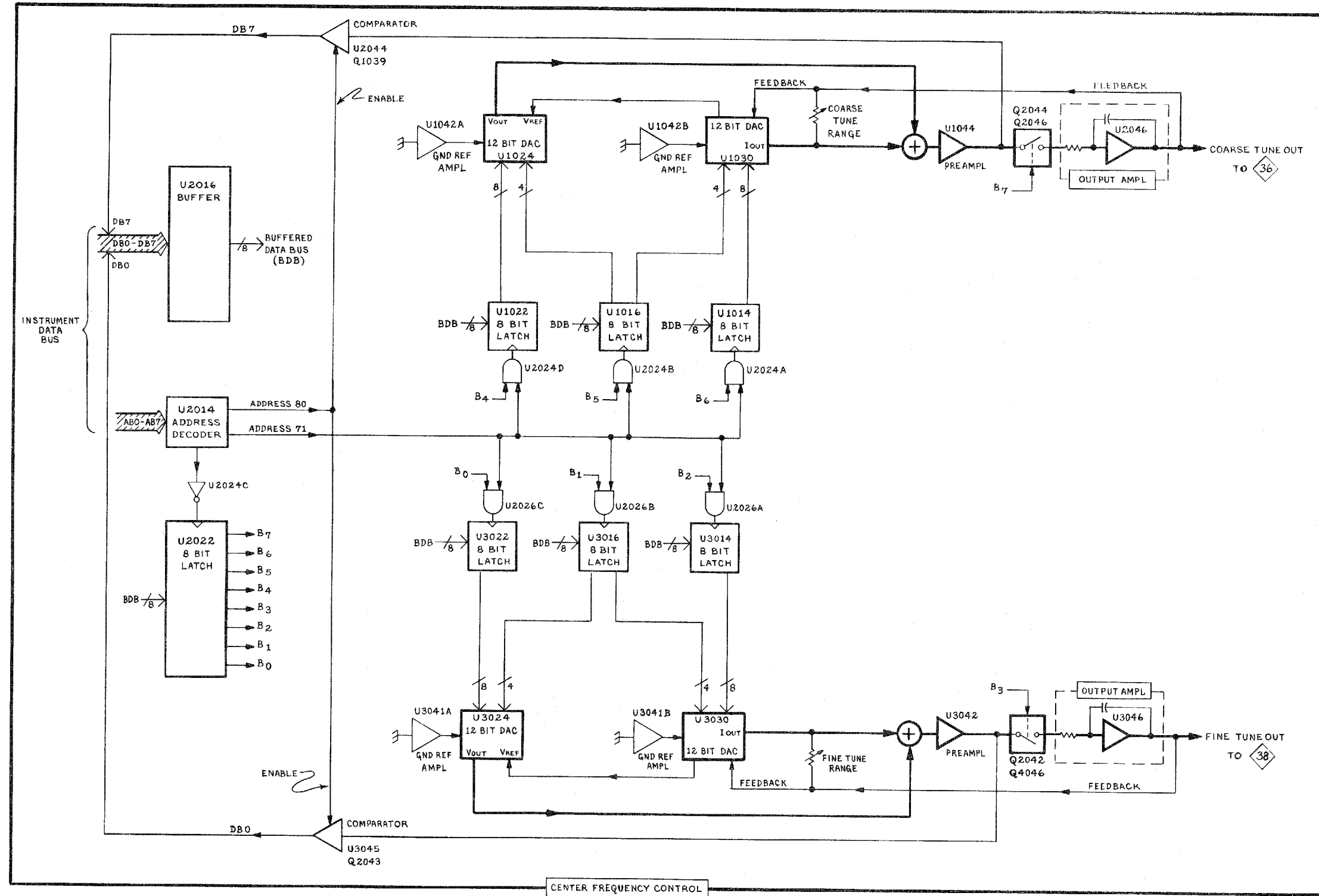
CENTER FREQUENCY CONTROL

(SN B042480—B055507)

3784-173

REV OCT 1985

CENTER FREQUENCY CONTROL
 (SN B042480—B055507)



(2852-209)3784-120

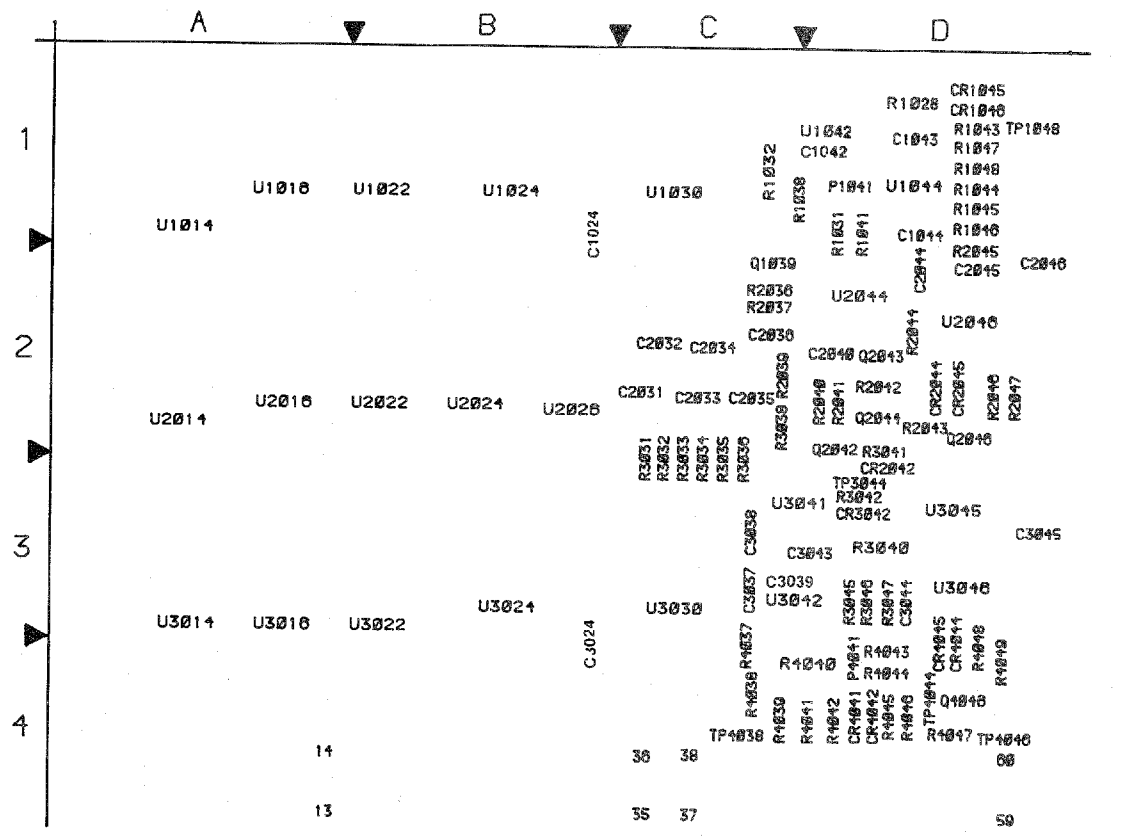
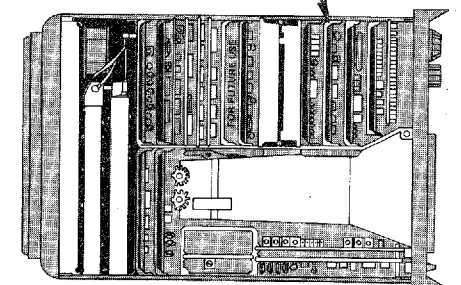


Fig. 8-38G. A46—Center Frequency Control circuit board (SN B030000—B042479).

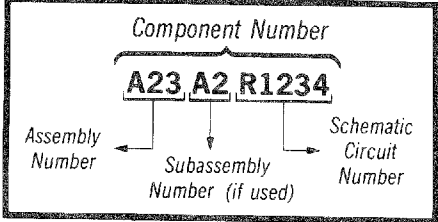
CENTER FREQUENCY CONTROL



3784-144

Static Sensitive Devices
See Maintenance Section

COMPONENT NUMBER EXAMPLE



Chassis-mounted components have no Assembly Number prefix—see end of Replaceable Electrical Parts List.

ASSEMBLY A46

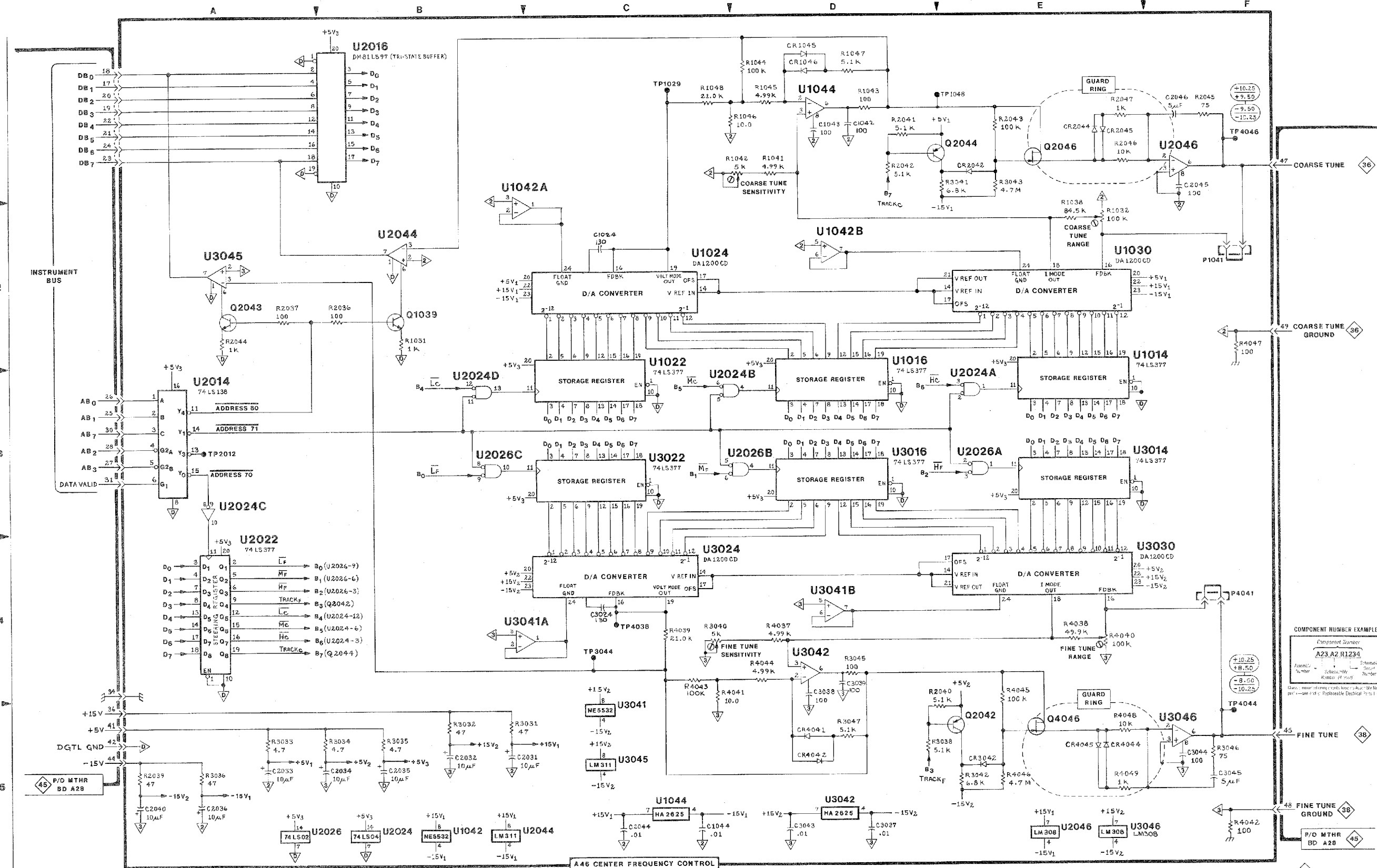
Center Frequency Control

DIAGRAM 39

CIRCUIT NUMBER	SCHEM LOCATION	BOARD LOCATION	CIRCUIT NUMBER	SCHEM LOCATION	BOARD LOCATION	CIRCUIT NUMBER	SCHEM LOCATION	BOARD LOCATION
C1024*	C2	C2	R1041	D1	D1	R4045	E4	D4
C1042†	D1	D1	R1042	D1	D1	R4046	E5	D4
C1043	D1	D1	R1043	D1	D1	R4047	F2	D4
C1044	C5	D1	R1044	D1	D1	R4048	E5	D4
C2031	B5	C2	R1045	D1	D1	R4049	E5	D4
C2032	B5	C2	R1046	C1	D1			
C2033	A5	C2	R1047	D1	D1	TP1029	C1	B1
C2034	B5	C2	R1048	C1	D1	TP3044	C4	D3
C2035	B5	C2	R2036	B2	C2	TP4038	C4	C4
C2036	A5	C2	R2037	A2	C2	TP4044	F5	D4
C2040	A5	D2	R2039	A5	C2	TP4046	F1	D4
C2044	C5	D2	R2040	D5	D2			
C2045	F1	D2	R2041	D1	D2	U1014	E3	A1
C2046	F1	D2	R2042	E1	D2	U1016	D3	A1
C3024*	C4	B4	R2043	D1	D2	U1022	C3	B1
C3037	D5	C3	R2044	A2	D2	U1024	C2	B1
C3038	D4	C3	R2045	F1	D2	U1030	E2	C1
C3039†	D5	D3	R2046	E1	D2	U1042A	B2	D1
C3043	D5	D3	R2047	E1	D2	U1042B	D2	D1
C3044	F5	D3	R3031	B5	C3	U1044	D1	D1
C3045	F5	D3	R3032	B5	C3	U2014	A3	A2
			R3033	A5	C3	U2016	B1	A2
CR1045	D1	D1	R3034	B5	C3	U2022	A4	B2
CR1046	D1	D1	R3035	B5	C3	U2024A	E3	B2
CR2042	E1	D2	R3036	A5	C3	U2024B	C3	B2
CR2044	E1	D2	R3038	D5	C3	U2024C	A3	B2
CR2045	F1	D2	R3040	C4	D3	U2024D	B3	B2
CR3042	E5	D3	R3041	F1	D3	U2026A	E3	B2
CR4042	D5	D4	R3042	E5	D3	U2026B	D3	B2
CR4044	E5	D4	R3043	E1	D3	U2026C	B3	D2
CR4045	F5	D4	R3045	D4	D3	U2044	F1	D2
			R3046	D5	D3	U2046	E3	A3
			R3047	D5	D3	U3014	D3	A3
P1041	F2	D1	R4037	D4	C4	U3022	C3	B4
P4041	F4	D4	R4038	E4	C4	U3024	C4	B3
			R4039	E4	C4	U3030	E4	C3
O1039	B2	C2	R4040	C4	D4	U3041A	B4	D3
Q2042	E5	D2	R4041	C4	D4	U3041B	D4	D3
Q2043	A2	D2	R4042	F5	D4	U3042	D4	D3
Q2044	E1	D2	R4043	C5	D4	U3045	A2	D3
Q2046	F1	D2	R4044	D4	D4	U3046	F5	D3
Q4046	E5	D4	R4045	D4	D4			
R1031	B2	D1						
R1032	C2	C1						
R1038	E2	C1						

*See Parts List for serial number ranges.

†Located on back of board.



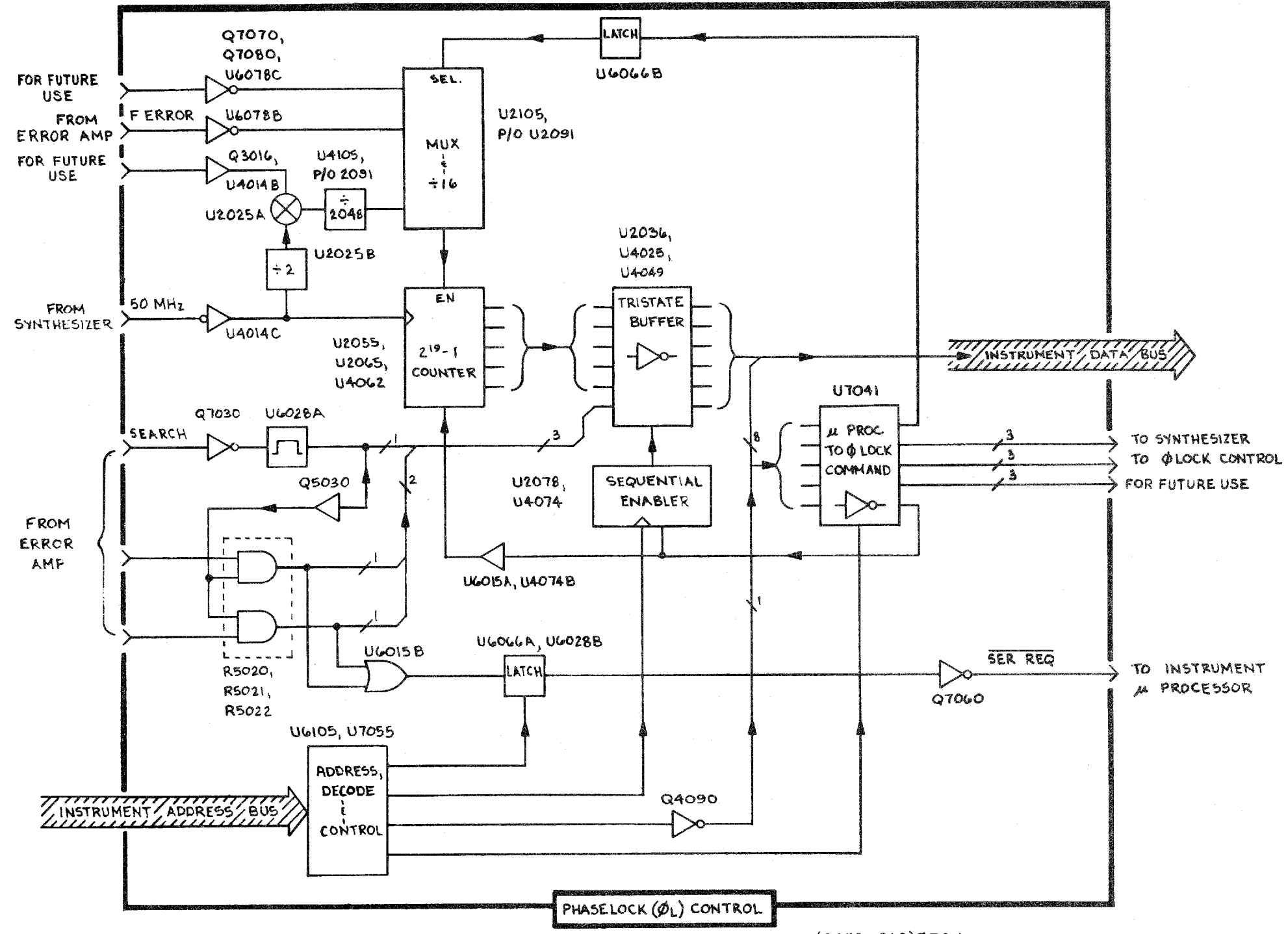
492/492P (SN 8030000 & UP)

(2852-236) 3784-39
REV NOV 1983

Static Sensitive Devices
See Maintenance Section

CENTER FREQUENCY CONTROL 39
(SN 8030000 & SN 8042478)

CENTER FREQUENCY CONTROL 39
SN 8030000-B042478



(2852-212)3784-121

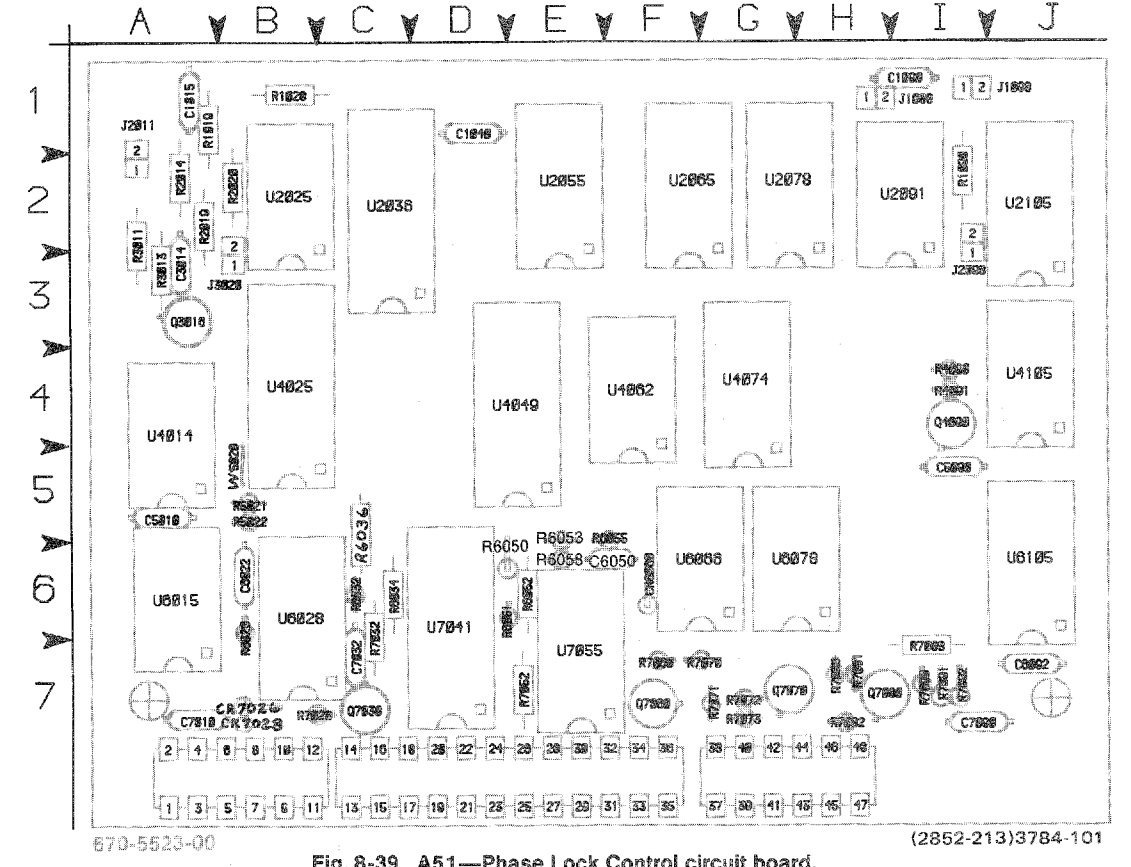
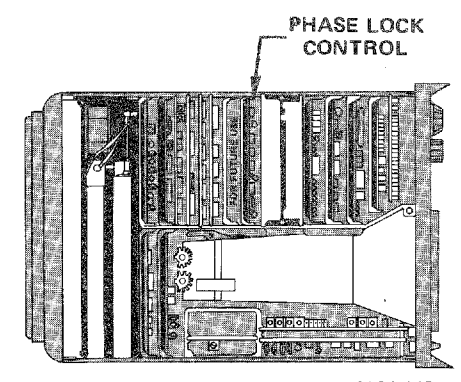


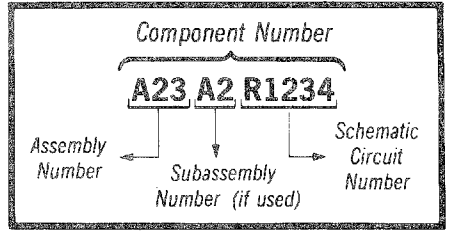
Fig. 8-39. A51—Phase Lock Control circuit board.



3784-143

Static Sensitive Devices
See Maintenance Section

COMPONENT NUMBER EXAMPLE



Chassis-mounted components have no Assembly Number prefix—see end of Replaceable Electrical Parts List.

BLOCK DIAGRAM (PHASE LOCK CONTROL) & CKT BD ILLU

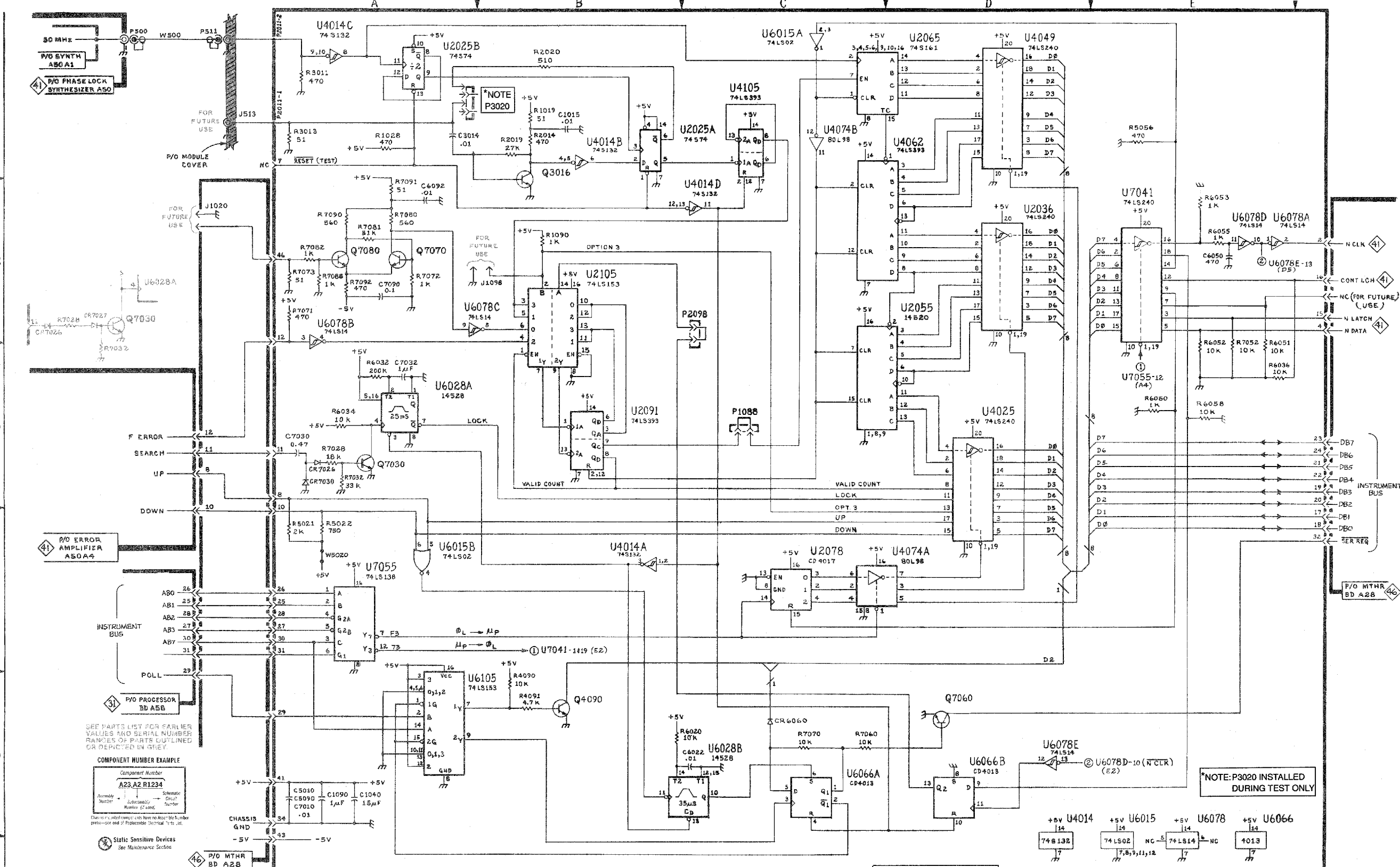
Phase Lock Control (OPTION 03) DIAGRAM 40

ASSEMBLY A51

CIRCUIT NUMBER	SCHEM LOCATION	BOARD LOCATION	CIRCUIT NUMBER	SCHEM LOCATION	BOARD LOCATION	CIRCUIT NUMBER	SCHEM LOCATION	BOARD LOCATION
C1015	B1	A1	R3011	A1	A2	U2065	D1	G2
C1040	A5	D1	R3013	A1	A3	U2078	C4	G2
C1090	A5	I1	R4090	B5	I4	U2091	B3	I2
C3014	A1	A3	R4091	B5	I4	U2105	B2	J2
C5010	A5	A5	R5021	A4	B5	U4014	D5	A4
C5090	A5	I5	R5022	A4	B5	U4014A	B4	A4
C6022	C5	B6	R6020	B5	B6	U4014B	B1	A4
C6050	E2	F6	R6032	A3	C6	U4014C	A1	A4
C6092	A2	J7	R6034	A3	C6	U4014D	C2	A4
C7010	A5	A7	R6036	E3	C5	U4025	D3	B4
C7030*	A2	D7	R6050	E3	E5	U4049	D1	E4
C7032	A3	C7	R6051	E3	D6	U4062	D1	F4
C7090	A2	I7	R6052	E3	E6	U4074A	D4	G4
			R6053	E2	E5	U4074B	C1	G4
CR6060	C5	F6	R6055	E2	F5	U4105	C1	J4
CR7026	A3	B7	R6058	E3	E6	U6015	E5	A6
CR7027	A3	B7	R7028	A3	C7	U6015A	C1	A6
CR7030*	A2	D7	R7032	A3	C6	U6015B	A4	A6
J1098	B2	J1	R7052	E3	E7	U6028A	A3	B6
			R7060	C5	F7	U6028B	C5	B6
P1088	C3	I1	R7070	C5	G7	U6066	E5	G6
P2011	A1	A1	R7071	A2	G7	U6066A	C5	G6
P2098	C2	I3	R7072	A2	G7	U6066B	D5	G6
P3020	B1	B3	R7073	A2	G7	U6078	E5	G6
			R7080	A2	H7	U6078A	E2	G6
Q3016	B1	A3	R7081	A2	H7	U6078C	A2	G6
Q4090	B5	I4	R7082	A2	H7	U6078D	E5	G6
Q7030	A3	C7	R7088	A2	I6	U6078E	E2	G6
Q7060	D5	F7	R7090	A2	I7	U6078E	D5	G6
Q7070	A2	C7	R7091	A2	I7	U6078E	E2	G6
Q7080	A2	H7	R7092	A2	I7	U6105	A5	J5
R1019	B1	A1	R7092	A2	I7	U7041	B4	D6
R1028	A1	B1	U2025A	C1	B2	U7055	A4	E7
R1090	B2	I2	U2025B	A1	B2	U7055	E3	E7
R2014	B1	A2	U2036	D2	C2			
R2019	B1	A2	U2055	D2	E2	W5020	A4	B5
R2020	B1	B2						

*See Parts List for serial number ranges.

COMPONENT NUMBER EXAMPLE
A23 A2 R1234
Assembly Number: 12345678
Sub-assembly: 1234
Part Number: R1234
Revision: 2
Date: 1/1/80



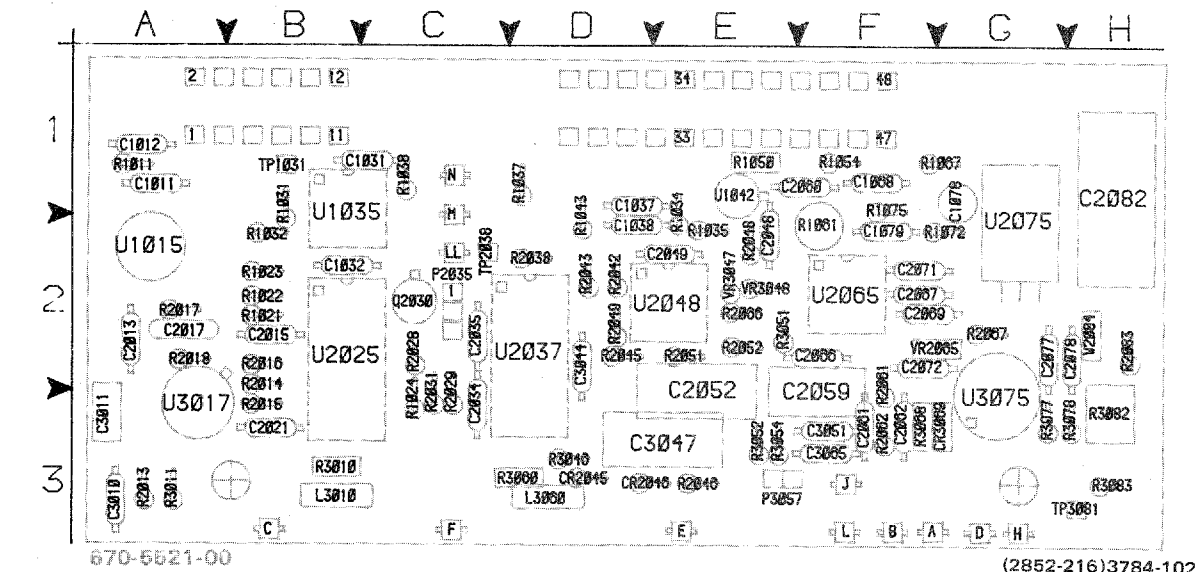
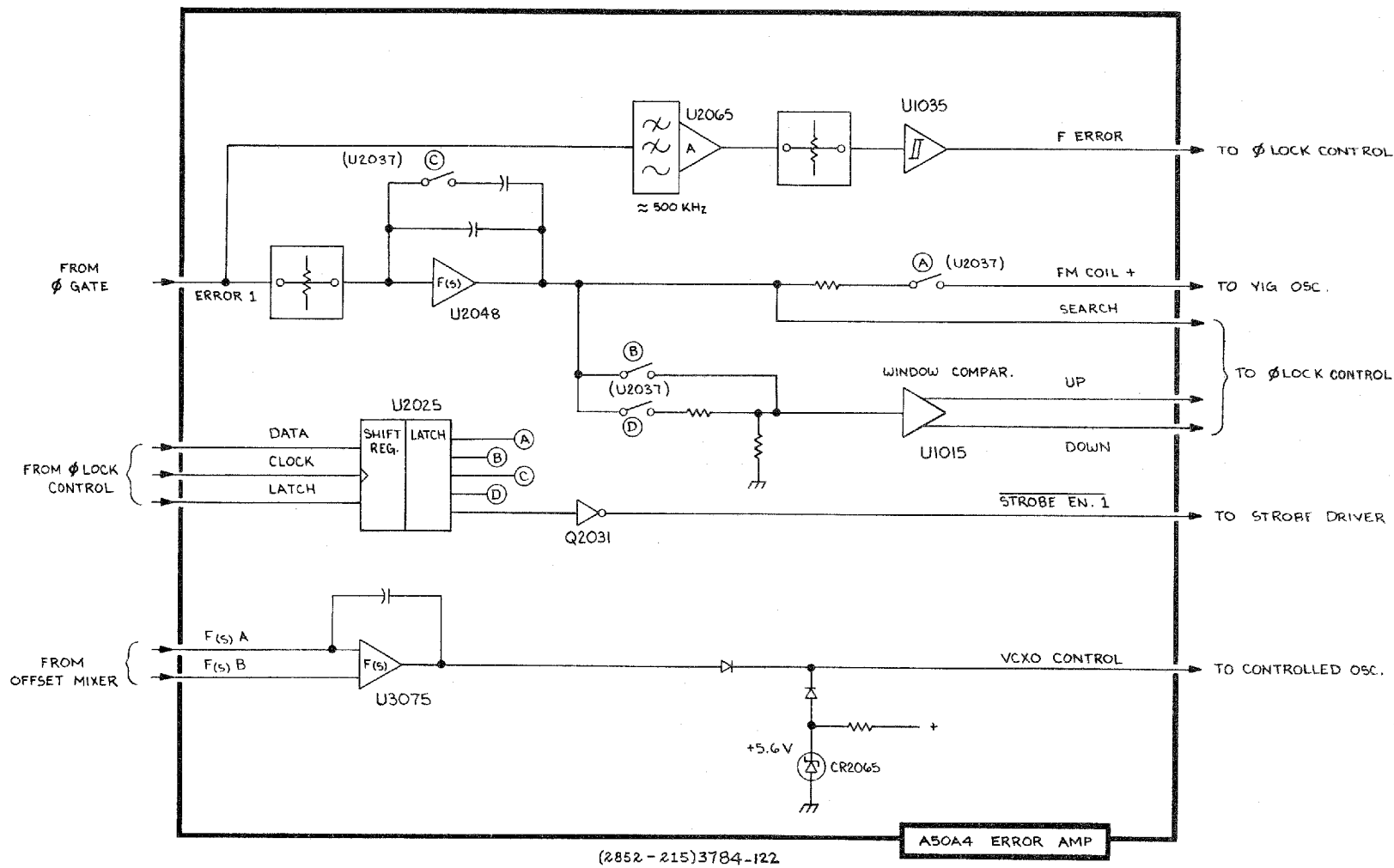
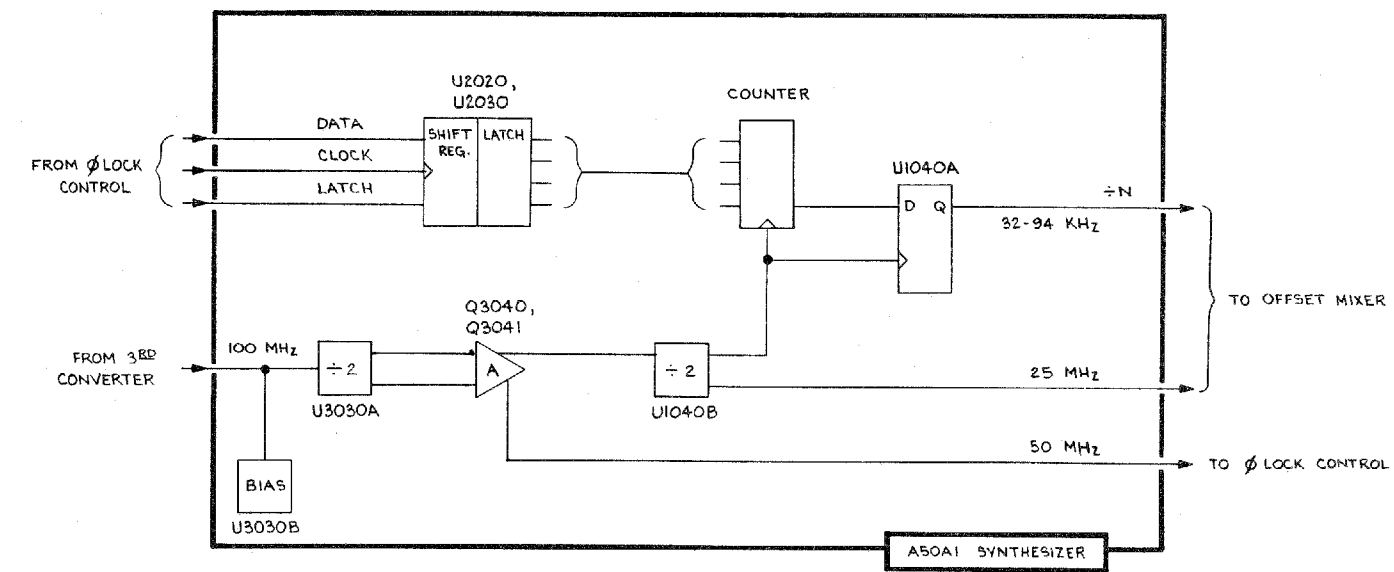


Fig. 8-40. A50A4—Error Amplifier circuit board.

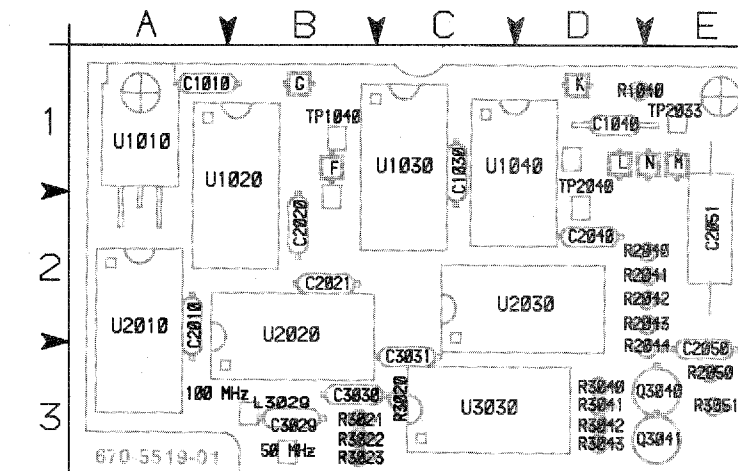
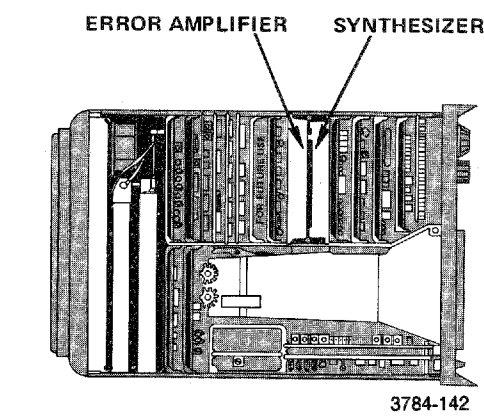


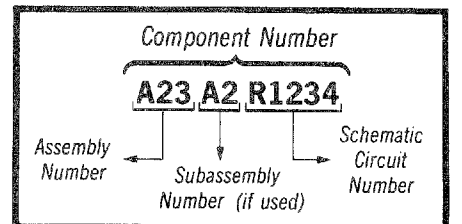
Fig. 8-41. A50A1—Synthesizer circuit board.



3784-142

Static Sensitive Devices
See Maintenance Section

COMPONENT NUMBER EXAMPLE



Chassis-mounted components have no Assembly Number prefix—see end of Replaceable Electrical Parts List.

Error Amplifier and Synthesizer (Option 03) DIAGRAM

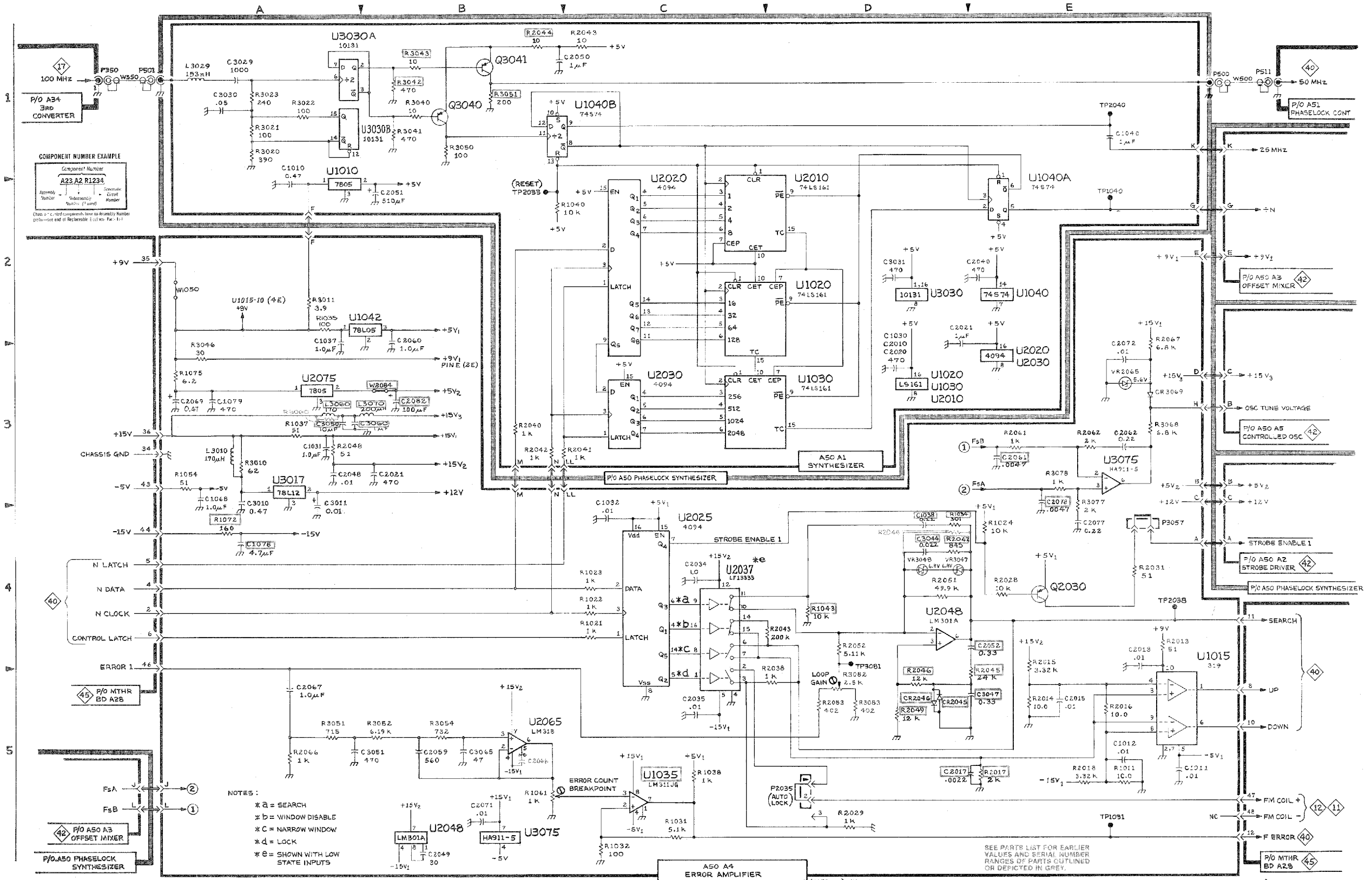
ASSEMBLY A50A4

Table mapping circuit numbers to schematic and board locations for Assembly A50A4. Columns include Circuit Number, Schem Location, Board Location, and multiple sets of these for different components.

ASSEMBLY A50A1

Table mapping circuit numbers to schematic and board locations for Assembly A50A1. Columns include Circuit Number, Schem Location, Board Location, and multiple sets of these for different components.

*See Parts List for serial number ranges.



492/492P (SN B030000 & UP)

(2852-110) 3794-41 REV JUN 1984

Static Sensitive Devices See Maintenance Section

ERROR AMPLIFIER & SYNTHESIZER

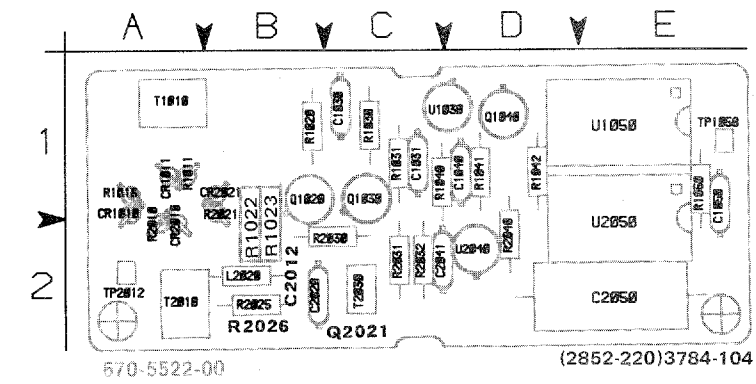
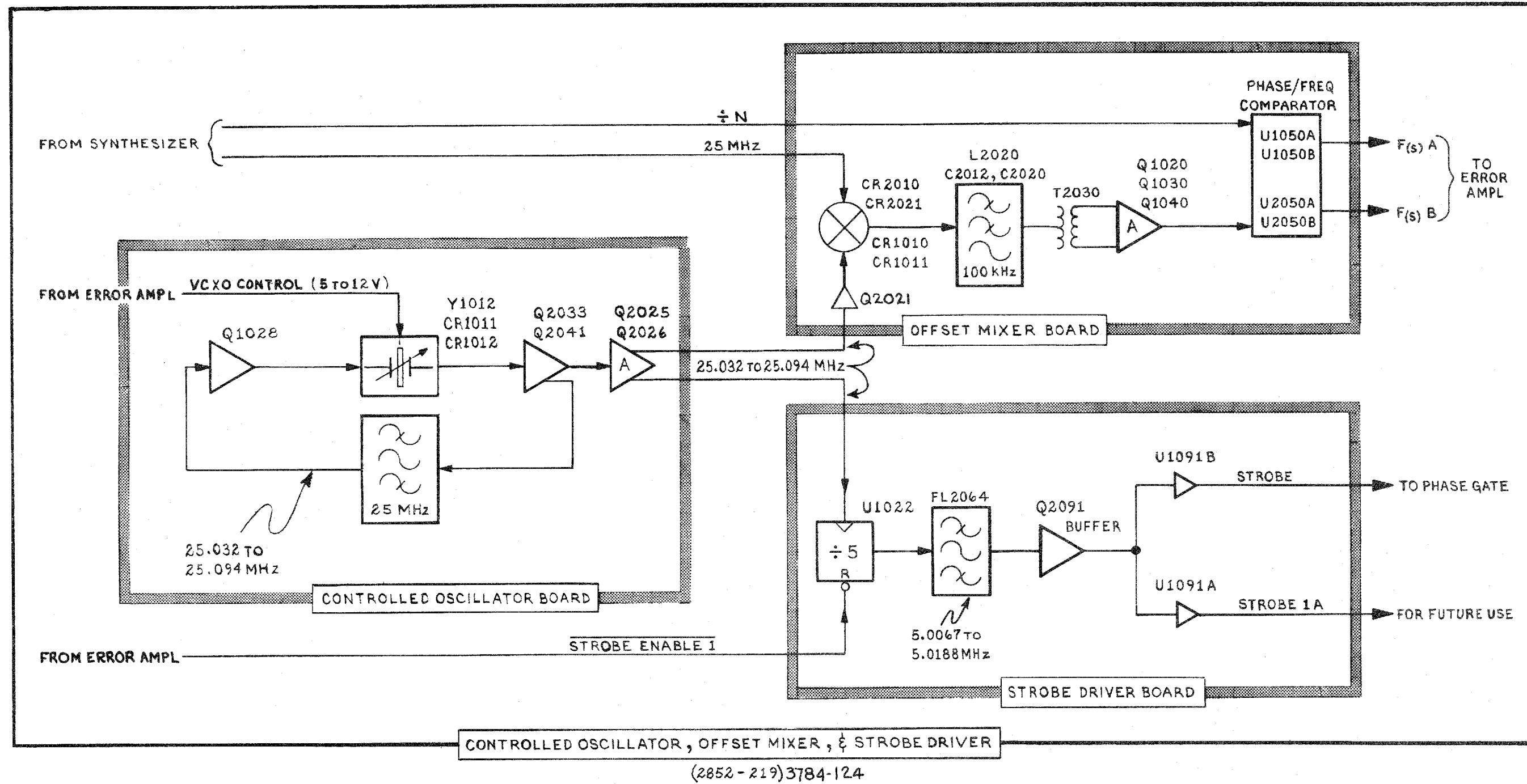


Fig. 8-42. A50A3—Offset Mixer circuit board.

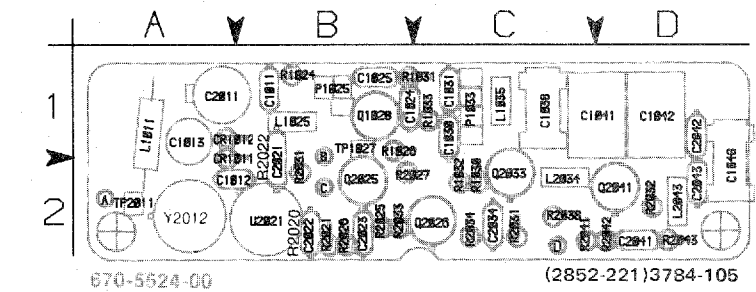


Fig. 8-43. A50A5 —Controlled Oscillator circuit board.

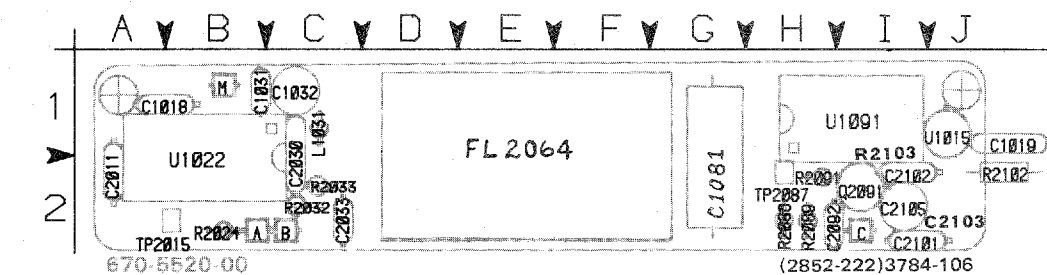
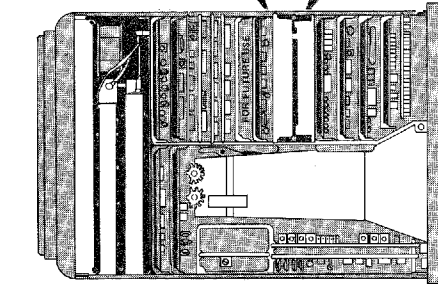


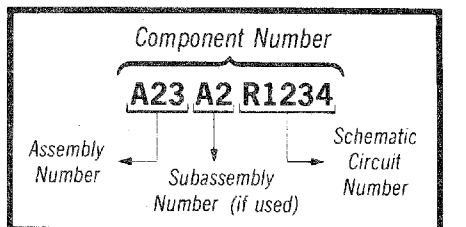
Fig. 8-44. A50A2—Strobe Driver circuit board.

STROBE DRIVER OFFSET MIXER & CONTROLLED OSC



Static Sensitive Devices
See Maintenance Section

COMPONENT NUMBER EXAMPLE



Chassis-mounted components have no Assembly Number prefix—see end of Replaceable Electrical Parts List.

Controlled Oscillator, Offset Mixer and Strobe Driver (Option 03)

DIAGRAM 42

ASSEMBLY A50A3

CIRCUIT NUMBER	SCHEM LOCATION	BOARD LOCATION	CIRCUIT NUMBER	SCHEM LOCATION	BOARD LOCATION	CIRCUIT NUMBER	SCHEM LOCATION	BOARD LOCATION	CIRCUIT NUMBER	SCHEM LOCATION	BOARD LOCATION
C1030	C3	C1	L2020	B1	B2	R1042	B1	D1	TP1058	A3	E1
C1031	C3	C1				R1050	B3	E1	TP2012	B2	A2
C1040	B2	D1	Q1020	C1	B1	R2010	A2	A1			
C1050	C3	E1	Q2021	B1	B2	R2021	A1	B1	U1030	C3	C1
C2012	B1	B2	O1030	C1	C1	R2025	B1	B2	U1050B	B2	E1
C2020	B2	B2	Q1040	B2	D1	R2026	B1	B2	U1050A	A2	E1
C2041	C3	C2				R2030	B1	C2	U1050	C3	E1
C2050	C3	E2				R2031	C1	C2	U2040	C3	D2
			R1010	A2	A1	R2032	C1	C2	U2050	C3	E2
			R1011	A1	A1	R2040	A3	D2	U2050A	A3	E2
CR1010	A2	A1	R1020	C1	B1				U2050B	A3	E2
CR1011	A1	A1	R1030	C1	C1	T1010	A1	A1			
CR2010	A2	A1	R1031	C3	C1	T2010	B1	A2			
CR2021	A1	B1	R1040	C3	C1	T2030	B1	C2			
			R1041	C1	D1						

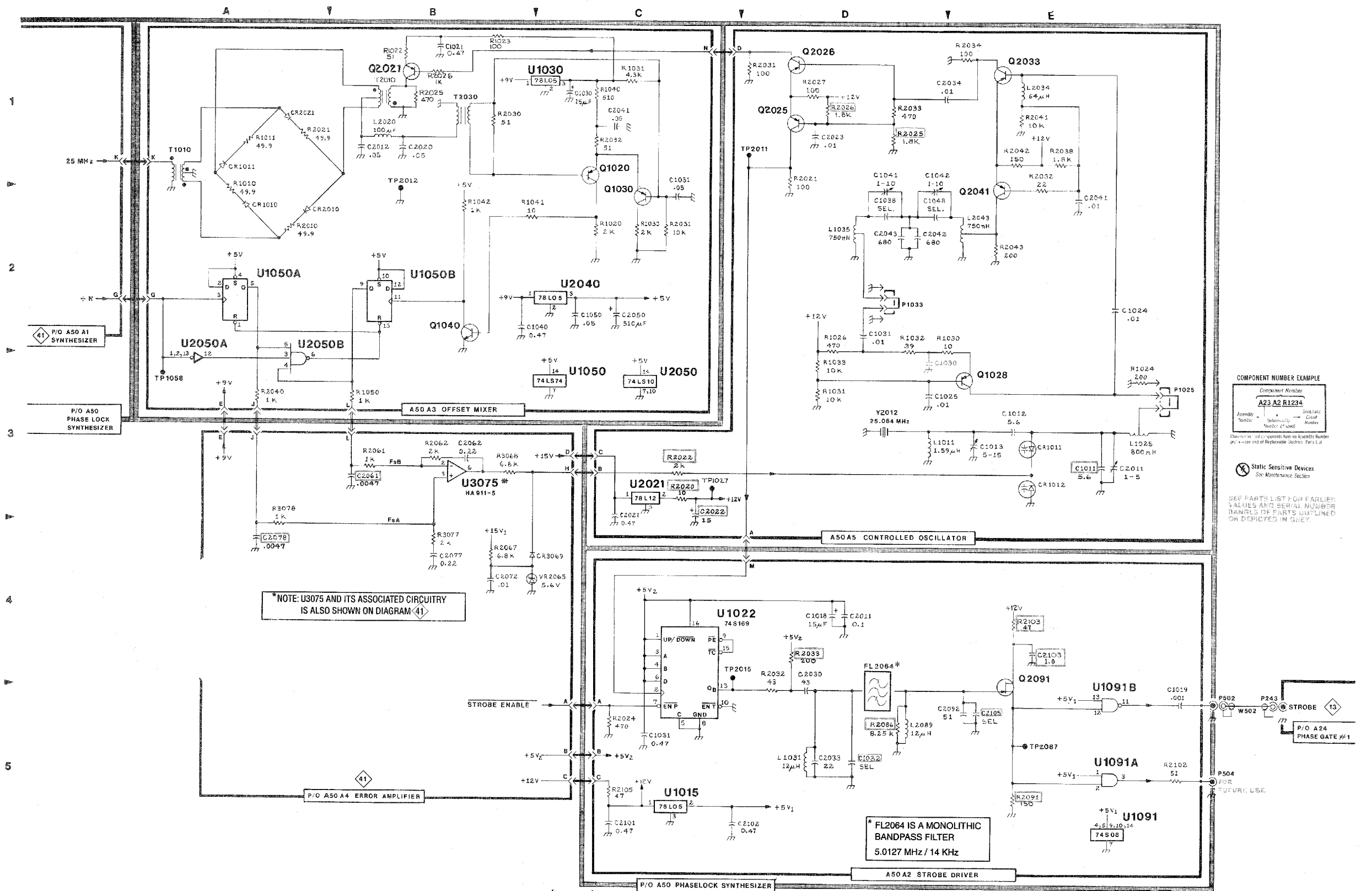
ASSEMBLY A50A5

CIRCUIT NUMBER	SCHEM LOCATION	BOARD LOCATION	CIRCUIT NUMBER	SCHEM LOCATION	BOARD LOCATION	CIRCUIT NUMBER	SCHEM LOCATION	BOARD LOCATION	CIRCUIT NUMBER	SCHEM LOCATION	BOARD LOCATION
C1011	E3	B1	C2041	E2	D2	Q1028	E3	B1	R2031	D1	B1
C1012	E3	A2	C2042	D2	D1	Q2025	D1	B2	R2032	E1	D2
C1013	E3	A1	C2043	D2	D2	Q2026	D1	C2	R2033	D1	B2
C1024	E2	B1				Q2033	E1	C2	R2034	E1	C2
C1025	D3	B1	CR1011	E3	A1	Q2041	E2	D2	R2038	E1	C2
C1030*	D3	C1	CR1012	E3	A1				R2041	E1	C2
C1031	D2	C1				R1024	E3	B1	R2042	E1	D2
C1038	D2	C1				R1026	D2	B1	R2043	E2	D2
C1041	D1	D1	L1011	D3	A1	R1030	D2	C2			
C1042	D1	D1	L1025	E3	B1	R1031	D3	C1	TP1027	C3	B1
C1048	D2	D2	L1035	D2	C1	R1032	D2	C2	TP2011	D1	A2
C2011	E3	A1	L2034	E1	C2	R1033	D3	C1	U2021	C3	B2
C2021	C3	B1	L2043	E2	D2	R2020*	C3	B2	Y2012	D3	A2
C2022	C3	B2				R2021	D1	B2			
C2023	D1	B2	P1025	E3	B1	R2022*	C3	B2			
C2034	E1	C2	P1033	D2	C1	R2025	D1	B2			
						R2026	D1	B2			
						R2027	D1	B2			

ASSEMBLY A50A2

CIRCUIT NUMBER	SCHEM LOCATION	BOARD LOCATION	CIRCUIT NUMBER	SCHEM LOCATION	BOARD LOCATION	CIRCUIT NUMBER	SCHEM LOCATION	BOARD LOCATION	CIRCUIT NUMBER	SCHEM LOCATION	BOARD LOCATION
C1018	D4	A1	C2101	C5	I2	U1015	C5	J1			
C1019	E5	J1	C2102	C5	I2	U1022	C4	B1			
C1031	C5	B1	C2103	E4	I2	U1091A	E5	I1			
C1032	D5	C1	C2105	E5	I2	U1091	E5	I1			
						U1091B	E5	I1			
C2011	D4	A2				R2086	D5	H2			
C2030	D4	C1				R2091	E5	H2			
C2033	D5	C2	L1031	D5	C1	R2102	E5	J2			
C2092	E5	H2	L2089	D5	H2	R2103	E5	I2			
						R2105	C5	J2			
			Q2091	E4	I2	TP2015	C4	A2			
						TP2087	E5	H2			

*See Parts List for serial number ranges.

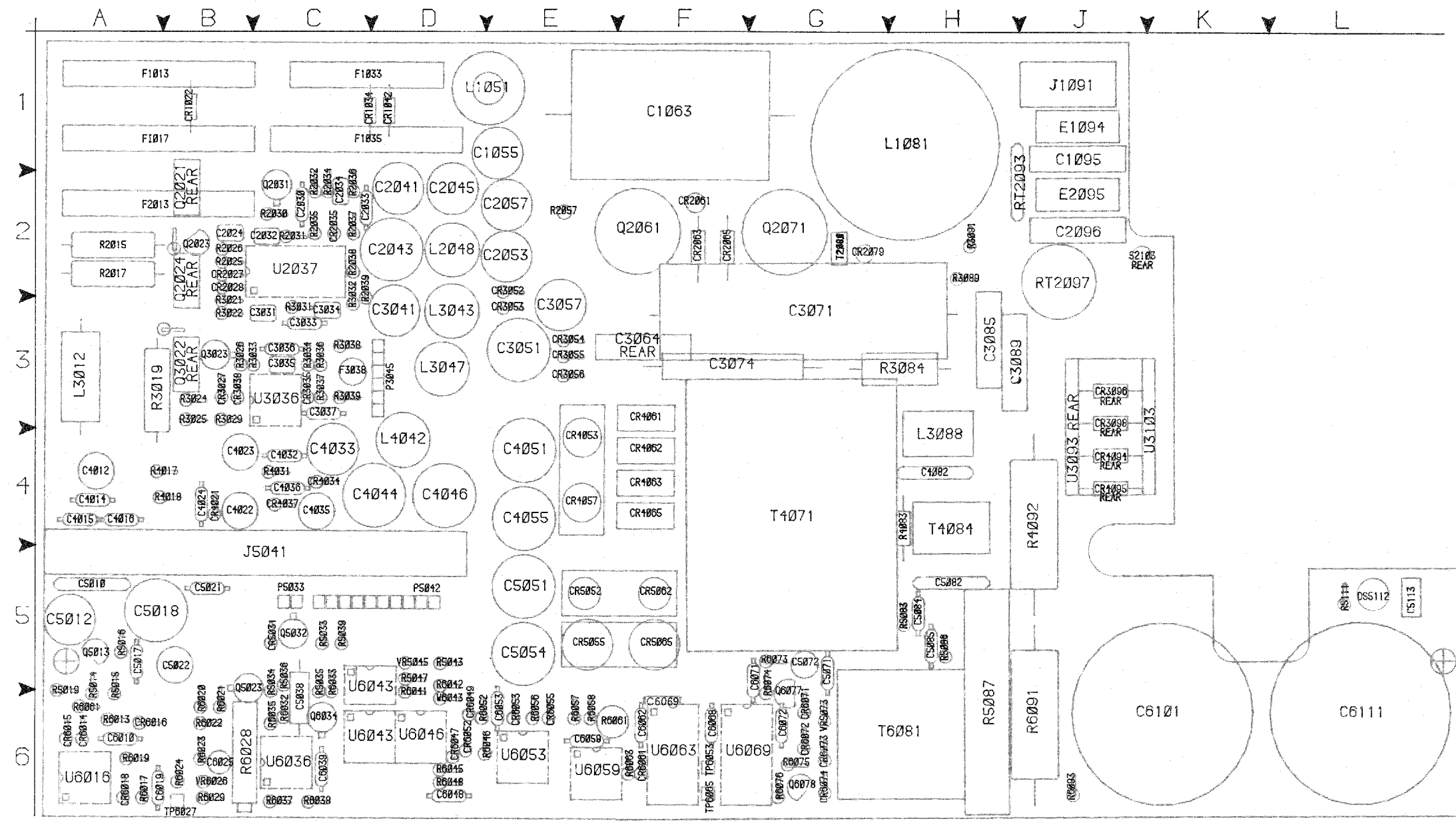


492/492P (SN B010100 & UP)

(2852-111) 3784-42 REV JUN 1984

CONTROLLED OSCILLATOR, OFFSET MIXER & STROBE DRIVER 42

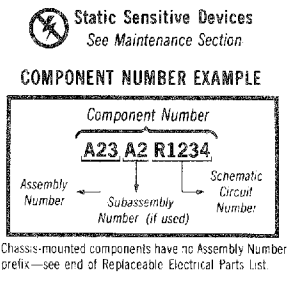
CONTROLLED OSC. OFFSET MIXER, AND STROBE DRIVER 42



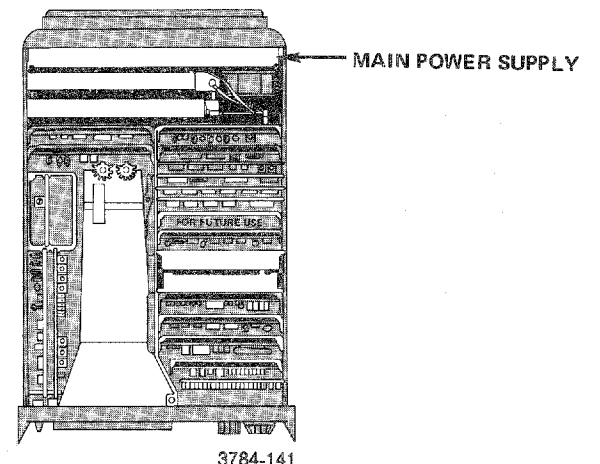
670-5564-01

Fig. 8-45. A30A1—Main Power Supply circuit board.

3784-107



Static Sensitive Devices See Maintenance Section



3784-141

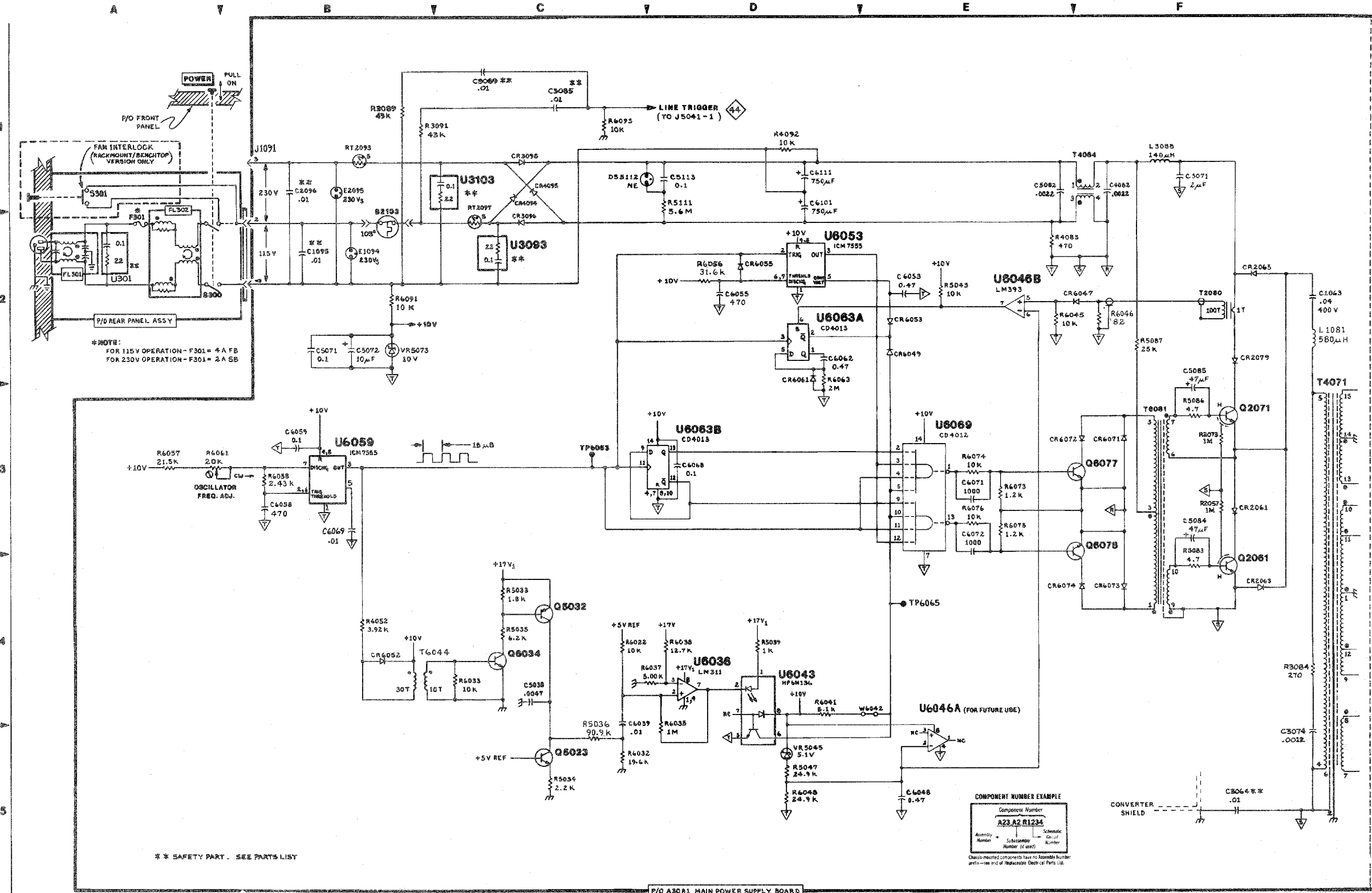
Main Power Supply DIAGRAM 43

ASSEMBLY A30A1

CIRCUIT NUMBER	SCHEM LOCATION	BOARD LOCATION	CIRCUIT NUMBER	SCHEM LOCATION	BOARD LOCATION	CIRCUIT NUMBER	SCHEM LOCATION	BOARD LOCATION	CIRCUIT NUMBER	SCHEM LOCATION	BOARD LOCATION
C1063	F2	F1	CR4095	C1	J4	R4092	D1	J4	R6093	C1	J6
C1095	B2	J1	CR6047	E2	D6	R5033	C4	C5	RT2097	C1	J2
C2096	B1	J2	CR6049	E2	D6	R5034	C5	C5	RT2093	B1	J2
C3074	F4	G3	CR6052	B4	D6	R5035	C4	C5	RT3093	C2	J3
C3074	F4	G3	CR6053	E2	D6	R5036	C4	C5			
C3085	C1	J3	CR6055	D2	E6	R5039	D4	C5	S2103	B2	J2
C4082	F1	H4	CR6061	D2	E6	R5043	E2	C5			
C5038	C4	C5	CR6072	E3	G6	R5047	D5	D5	T2080	F2	H2
C5071	B2	G5	CR6071	F3	G6	R5083	F3	H5	T4071	F2	G4
C5072	B2	G6	CR6073	F4	G6	R5086	F3	H5	T4084	F1	H4
C5082	E1	H5	CR6074	E4	G6	R5087	F2	I6	T6044	B4	D6
C5084	F3	H5				R5111	D1	L5	T6081	F3	H6
C5085	F2	H5	DS5112	C1	L5	R6022	C4	B6			
C5113	D1	L5				R6032	C5	C6			
C6039	C4	C6	E1094	B2	J1	R6033	C4	C6	TP6053	C3	F6
C6048	E5	E6	E2095	B1	J2	R6034	D4	C6	TP6065	E4	F6
C6053	E2	E2				R6035	D4	C6			
C6059	B3	E6	J1091	B2	J1	R6037	D4	C6	U3093	C2	J4
C6059	B3	E6				R6038	D4	C6	U6036	D4	C6
C6062	D2	E6	L1081	F2	H1	R6042	E4	C6	U6043	D4	D5
C6068	D3	F6	L3088	F1	H4	R6045	E2	E6	U6046A	E5	D6
C6069*	B3	F6				R6048	E4	E6	U6046B	E2	D6
C6071	E3	G6	Q2061	F3	F2	R6052	B4	E6	U6053	D2	E6
C6072	E3	G6	Q2071	F3	G2	R6056	D2	E6	U6059	B3	E6
C6101	D1	J6	Q5023	C4	B5	R6057	A3	E6	U6063B	D3	F6
C6111	D1	L6	Q5032	C4	C5	R6058	B3	E6	U6063A	D2	F6
			Q6034	C4	C5	R6061	A3	E6	U6069	E3	F6
CR2061	F3	F2	Q6077	F3	G6	R6063	D2	E6			
CR2063	F4	F2	Q6078	F3	G6	R6073	E3	G6	VR5045	D5	D5
CR2065	F2	F2				R6074	E3	G6	VR5073	B2	G5
CR2079	F2	H2	R3084	F4	H3	R6075	E3	G6			
CR3098	C1	J3	R3091	B1	J3	R6076	E3	G6			
CR3098	C2	J3	R4083	E2	H4	R6091	B2	I6			
CR4094	C1	J4									

Partial A30A1 also shown on diagram 42

*See Parts List for serial number ranges.



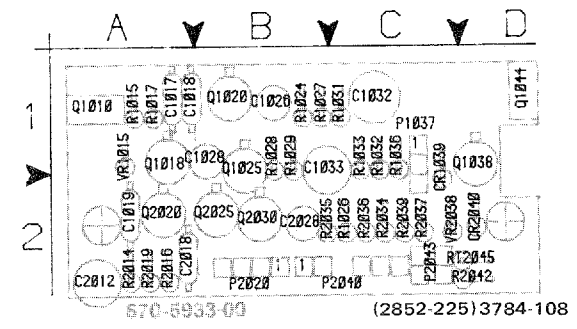
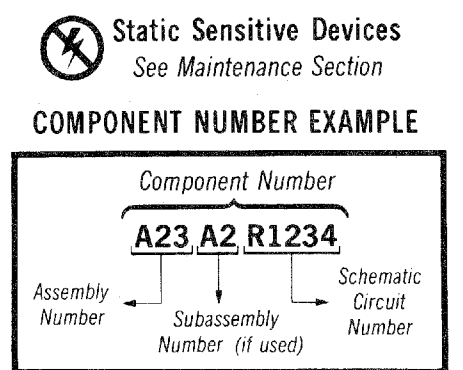
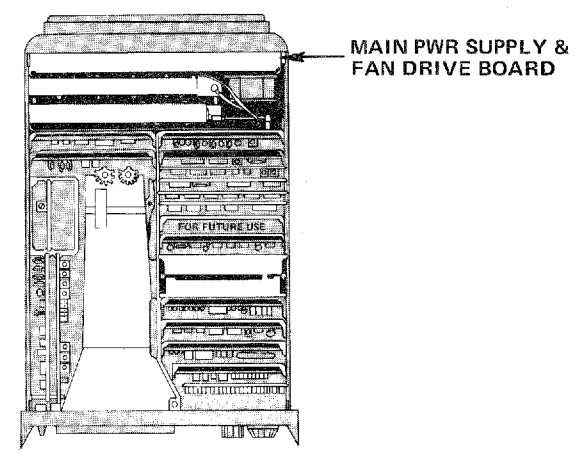


Fig. 8-46. A30A2—Fan Drive circuit board.



Chassis-mounted components have no Assembly Number prefix—see end of Replaceable Electrical Parts List.

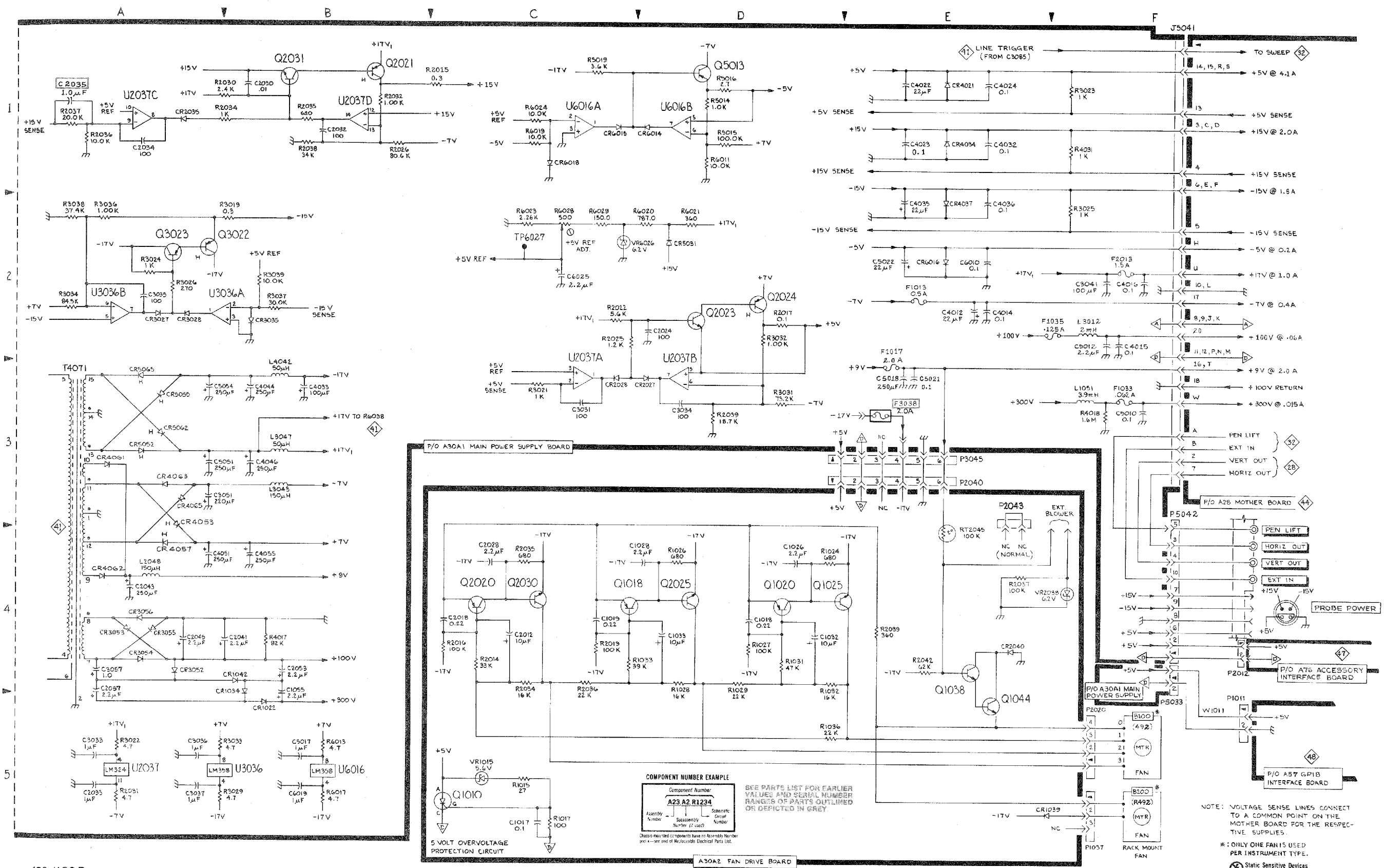
MAIN POWER SUPPLY (SECONDARY) AND FAN DRIVE DIAGRAM 44

ASSEMBLY A30A2

CIRCUIT NUMBER	SCHEM LOCATION	BOARD LOCATION	CIRCUIT NUMBER	SCHEM LOCATION	BOARD LOCATION	CIRCUIT NUMBER	SCHEM LOCATION	BOARD LOCATION	CIRCUIT NUMBER	SCHEM LOCATION	BOARD LOCATION
C1017	C5	A1	P2043	E3	C2	R1017	C5	A1	R2034	C4	C2
C1018	D4	A1	Q1010	C5	A1	R1024	D4	B1	R2035	C4	B2
C1019	C4	A2	Q1018	C4	A1	R1026	D4	C2	R2036	C4	C2
C1026	D4	B1	Q1020	D4	B1	R1027	D4	B1	R2037	E4	C2
C1028	D4	B1	Q1025	E4	B1	R1028	D4	B1	R2039	E4	C2
C1032	D4	C1	Q1038	E4	D1	R1029	D4	B1	R2042	E4	C2
C1033	D4	B1	Q1044	E5	D1	R1031	D4	C1			
C2012	C4	A2	Q2020	C4	A2	R1032	D4	C1	RT2045	E4	C2
C2018	C4	A2	Q2025	D4	B2	R1033	C4	C1	VR1015	C5	A1
C2028	C4	B2	Q2030	C4	B2	R1036	D5	C1	VR2038	F4	C2
						R2014	C4	A2			
						R2016	C4	A2			
						R2019	C4	A2			
CR1039	F5	C1	R1015	C5	A1						
CR2040	E4	D2									

ASSEMBLY A30A1

CIRCUIT NUMBER	SCHEM LOCATION	BOARD LOCATION	CIRCUIT NUMBER	SCHEM LOCATION	BOARD LOCATION	CIRCUIT NUMBER	SCHEM LOCATION	BOARD LOCATION	CIRCUIT NUMBER	SCHEM LOCATION	BOARD LOCATION
C1055	B4	D1	C5051	A3	E5	F1033	F3	C1	R3029	A5	B3
C2024	D2	B2	C5084	A3	E5	F1035	F2	C1	R3031	D3	C2
C2030	B1	C2	C8010	E2	A6	F2013	F2	A2	R3032	D2	C3
C2032	B1	C2	C8019	B5	A6	F3038	E3	C3	R3033	A5	B3
C2033	A5	C2	C8025	C2	B6				R3034	A2	C3
C2034	A1	C2				L1051	F3	D1	R3036	A2	C3
C2041	B4	D2	CR1022	B5	B1	L2048	A4	D2	R3037	B2	C3
C2043	A4	D2	CR1034	B4	C1	L3012	F2	A3	R3038	A2	C3
C2045	A4	D2	CR1042	B4	D1	L3043	B3	D3	R3039	B2	C3
C2053	B4	E2	CR2027	D3	B2	L3047	B3	D3	R4017	B4	A4
C2057	A4	E2	CR2028	C3	B2	L4042	B3	D4	R4018	F1	C4
C3031	C3	C3	CR2035	A1	C2	Q2021	B1	B2	R4031	F1	C4
C3033	A5	C3	CR3027	A2	B3	Q2023	D2	B2	R5014	D1	A5
C3034	D3	C3	CR3028	A2	B3	Q2024	D2	B2	R5015	D1	A5
C3035	A2	C3	CR3035	B2	C3	Q2025	D2	B2	R5016	D1	A5
C3036	A5	C3	CR3052	A4	E2	Q2031	B1	C2	R5019	C1	A5
C3037	A5	C3	CR3053	A4	E3	Q3022	A2	B3	R6011	D1	A6
C3041	F2	D3	CR3054	A4	E3	Q3023	A2	B3	R6013	B5	A6
C3051	A3	E3	CR3055	A4	E3	Q5013	D1	A5	R6017	B5	A6
C3057	A4	E3	CR3056	A4	E3				R6019	C1	A6
C4012	E2	A4	CR4021	E1	B4	R2015	B1	A2	R6020	D2	B6
C4014	E2	A4	CR4034	E1	C4	R2017	D2	A2	R6021	D2	B6
C4015	F2	A4	CR4037	E2	C4	R2022	C2	A2	R6023	C2	B6
C4016	F2	A4	CR4053	A4	E4	R2025	C2	B2	R6024	C1	B6
C4022	E1	B4	CR4057	A4	E4	R2026	B1	B2	R6028	C2	B6
C4023	E1	B4	CR4058	A4	F3	R2030	B1	C2	R6029	C2	B6
C4024	E1	B4	CR4062	A4	F4	R2031	A5	C2			
C4032	E1	C4	CR4063	A3	F4	R2032	B1	C2	T4071	A3	G4
C4033	B3	C4	CR4065	A3	F4	R2034	B1	C2	TP6027	C2	B6
C4035	E2	C4	CR5031	D2	C5	R2035	B1	C2			
C4036	E2	C4	CR5052	A3	E5	R2036	A1	C2			
C4044	B3	D4	CR5055	A3	E5	R2037	A1	C2	U2037A	C3	C2
C4046	B3	D4	CR5062	A3	F5	R2038	B1	C2	U2037B	D3	C2
C4051	A4	E4	CR5065	A3	F5	R2039	D3	C2	U2037C	A1	C2
C4055	B4	E4	CR6014	D1	A6	R3019	B2	A3	U2037D	B1	C2
C5010	F3	A5	CR6015	C1	A6	R3021	C3	B3	U3036A	B2	C3
C5012	F2	A5	CR6016	E2	A6	R3022	A5	B3	U3036B	A2	C3
C5017	B5	A5	CR6018	C1	A6	R3023	F1	B3	U6016A	C1	A6
C5018	E3	A5				R3024	A2	B3	U6016B	D1	A6
C5021	E3	B5	F1013	E2	A1	R3025	F2	B3			
C5022	E2	B5	F1017	F2	A1	R3026	A2	B3			



492/492P

(2152-113) 3789-44
REV MAR 1985

MAIN POWER SUPPLY (SECONDARY SECTION) AND FAN DRIVE BOARD 44

Partial A30A1 also shown on diagram 41

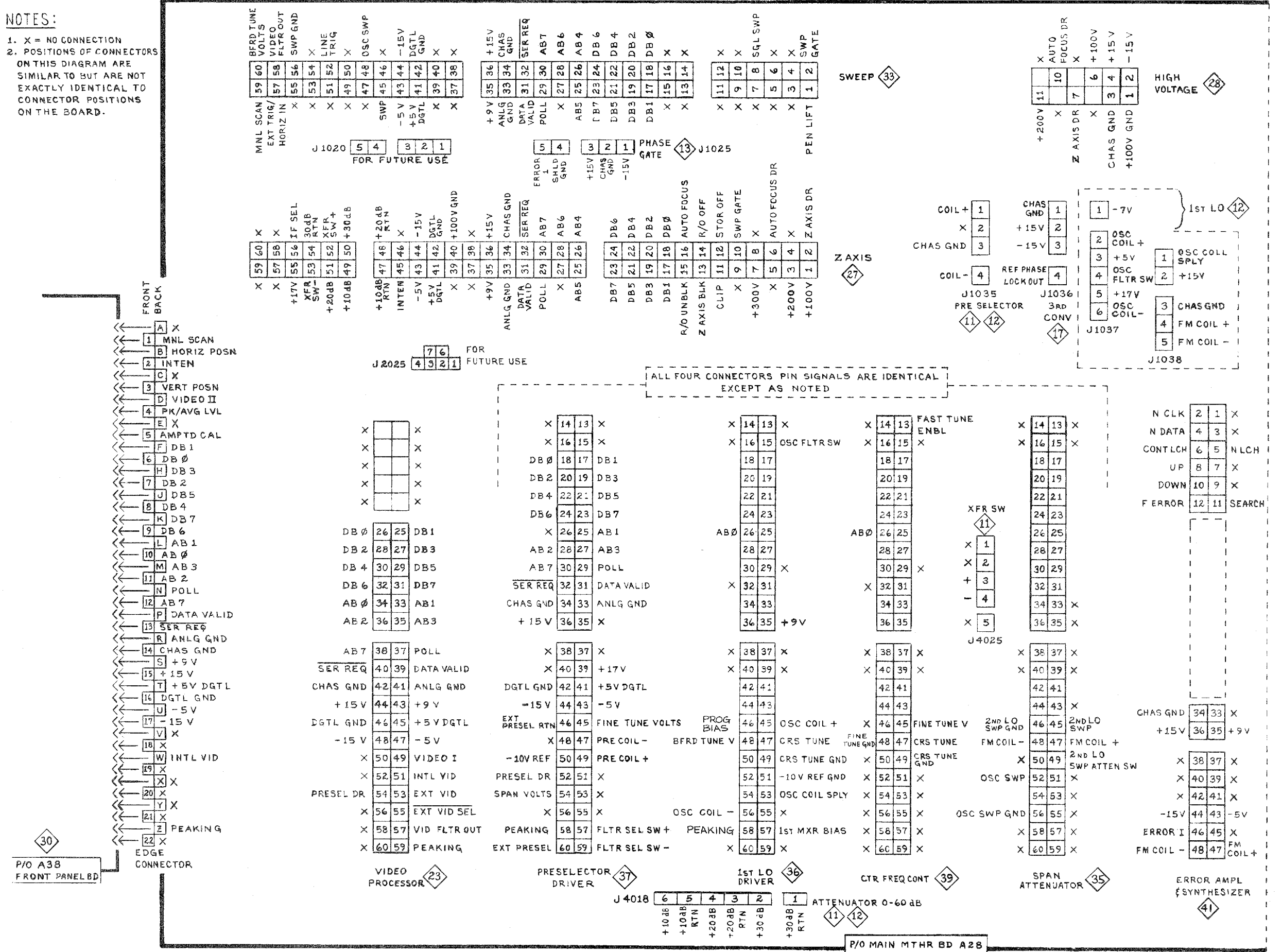
NOTE: VOLTAGE SENSE LINES CONNECT TO A COMMON POINT ON THE MOTHER BOARD FOR THE RESPECTIVE SUPPLIES.

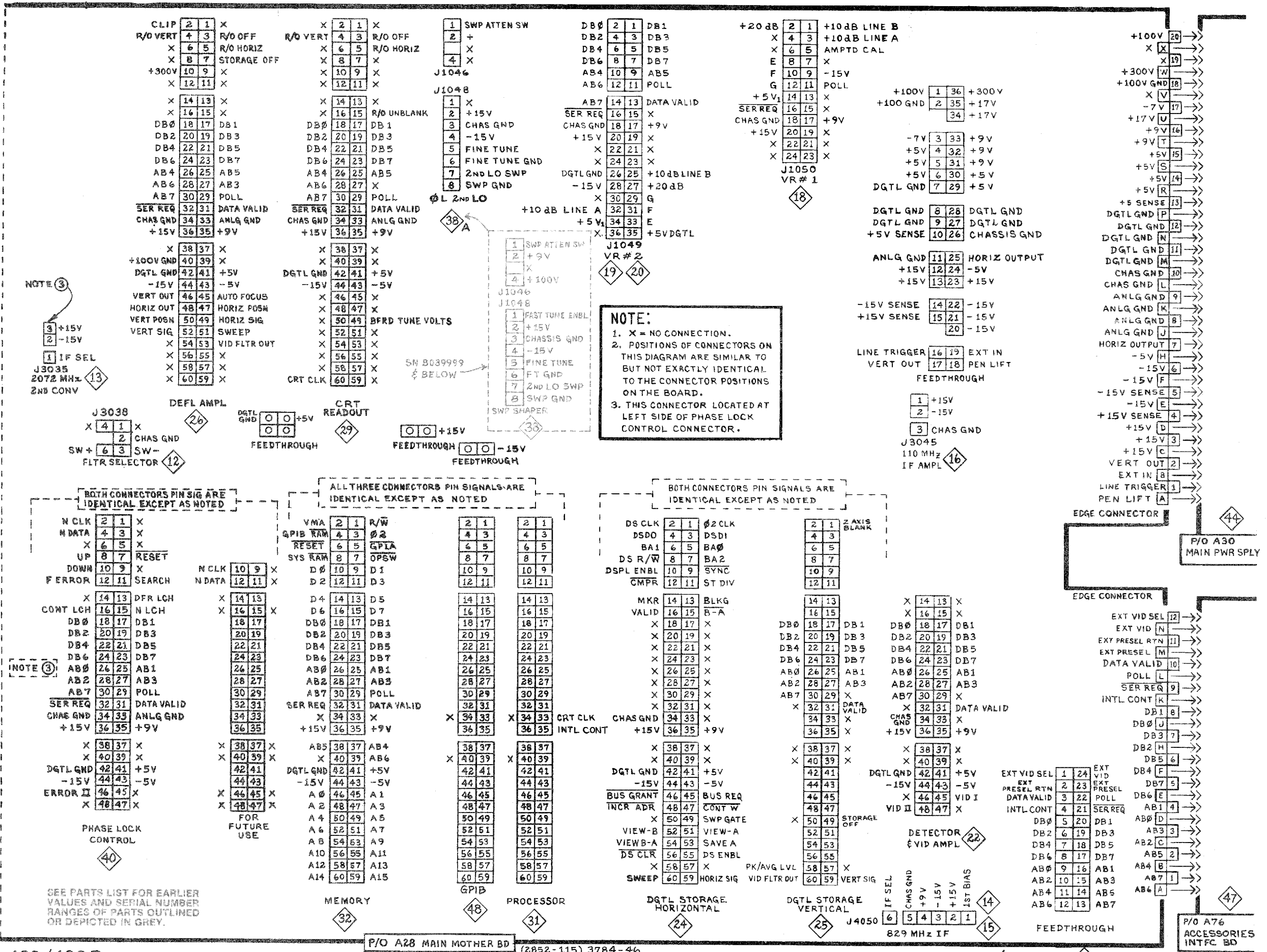
* ONLY ONE FAN IS USED PER INSTRUMENT TYPE.

Static Sensitive Devices See Maintenance Section

NOTES:

- 1. X = NO CONNECTION
- 2. POSITIONS OF CONNECTORS ON THIS DIAGRAM ARE SIMILAR TO BUT ARE NOT EXACTLY IDENTICAL TO CONNECTOR POSITIONS ON THE BOARD.





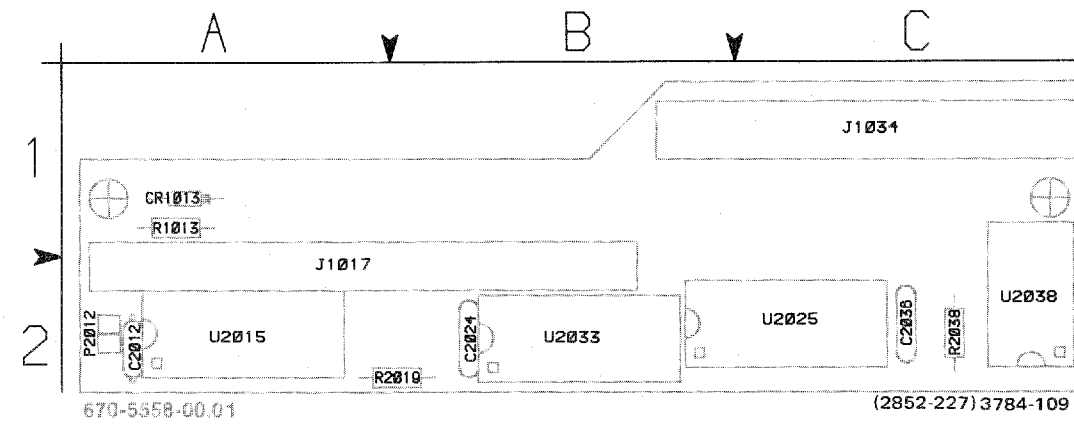
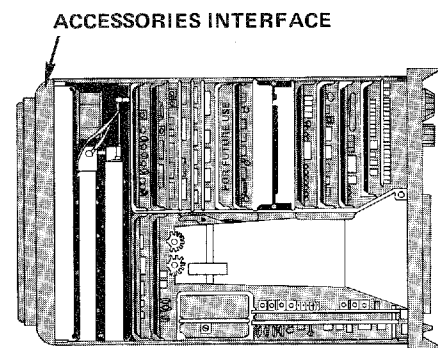


Fig. 8-47. A30A76—Accessories Interface.

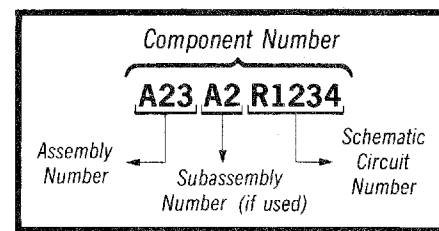


3784-140

REV FEB 1983

 **Static Sensitive Devices**
See Maintenance Section

COMPONENT NUMBER EXAMPLE

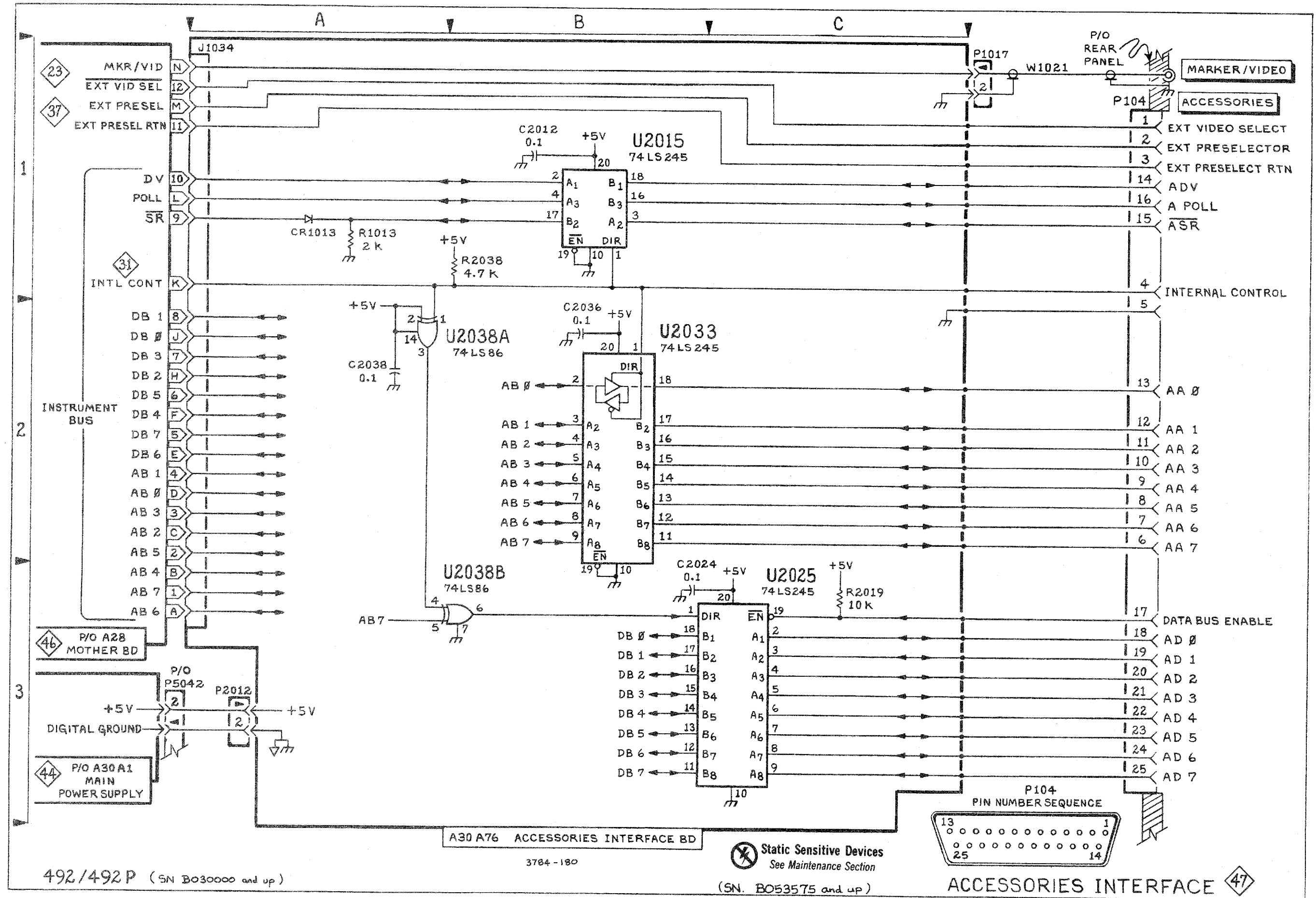


Chassis-mounted components have no Assembly Number prefix—see end of Replaceable Electrical Parts List.

Accessories Interface DIAGRAM 47
(SN B053575 & UP)

ASSEMBLY A30A76

CIRCUIT NUMBER	SCHEM LOCATION	BOARD LOCATION
C2012	B1	A2
C2024	C3	B2
C2036	B2	C2
C2038	A2	E2
CR1013	A1	A1
J1017	C1	A2
J1034	A1	C1
P2012	A3	A2
R1013	A1	A1
R2019	C3	B2
R2038	B1	C2
U2015	B1	A2
U2025	C3	C2
U2033	B2	B2
U2038A	A2	C2
U2038B	B3	C2



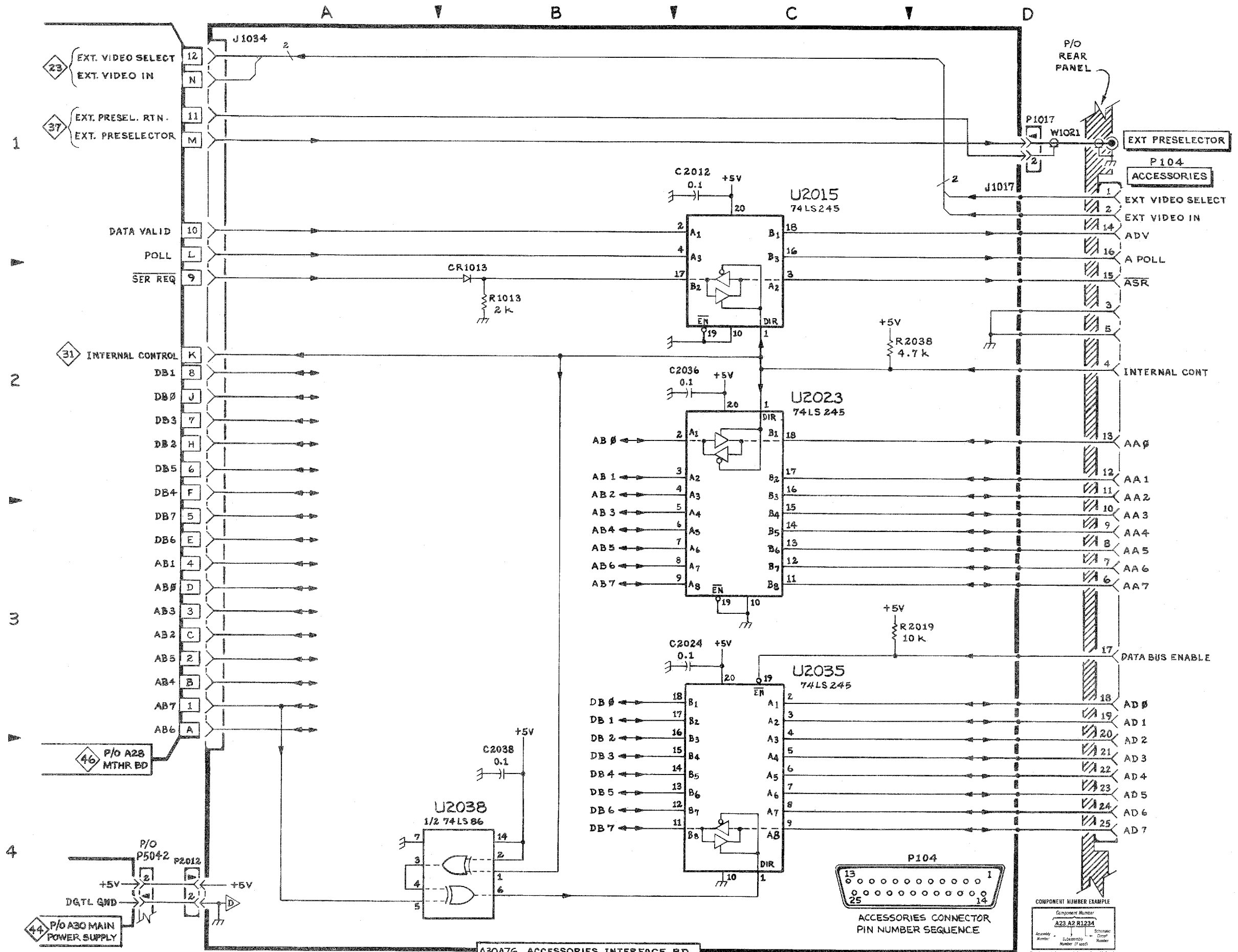
ACCESSORIES INTERFACE (SN B053575 & UP)

47

Accessories Interface **DIAGRAM 47**
(SN B030000 - B053574)

ASSEMBLY A30A76

CIRCUIT NUMBER	SCHEM LOCATION	BOARD LOCATION
C2012	C1	A2
C2024	C3	B2
C2036	C2	C2
C2038	B4	E2
CR1013	B2	A1
J1017	D4	A2
J1034	A1	C1
P2012	A4	A2
R1013	B2	A1
R2019	C3	B2
R2038	C2	C2
U2015	C1	A2
U2025	C3	C2
U2033	C2	B2
U2038	B4	C2



492/492P (SN B030000 & UP)

(2852-116) 3784-47 A30A76 ACCESSORIES INTERFACE BD

REV MAR 1984

Static Sensitive Devices
See Maintenance Section
(SN B030000 - B053574)

ACCESSORIES INTERFACE **47**

COMPONENT NUMBER EXAMPLE

Component Number	Example
Assembly	A23 A2 B1234
Location	C1
Board	17

ACCESSORIES INTERFACE
(SN B030000 - B053574)

47

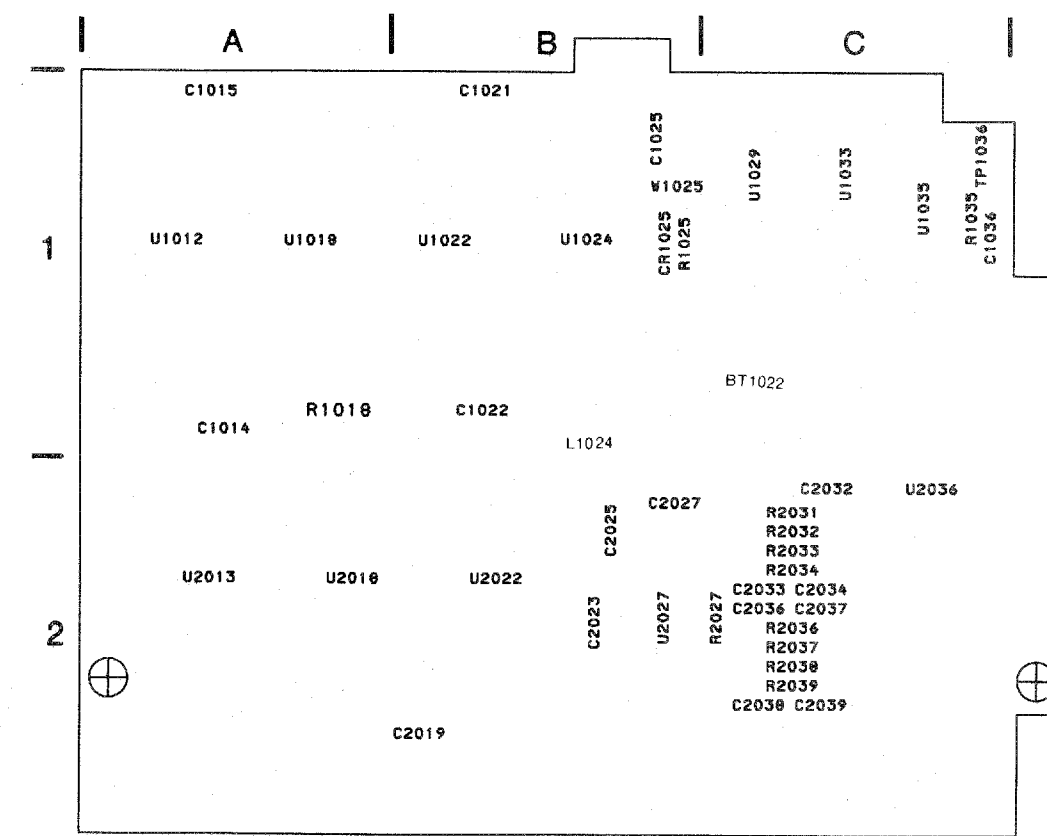


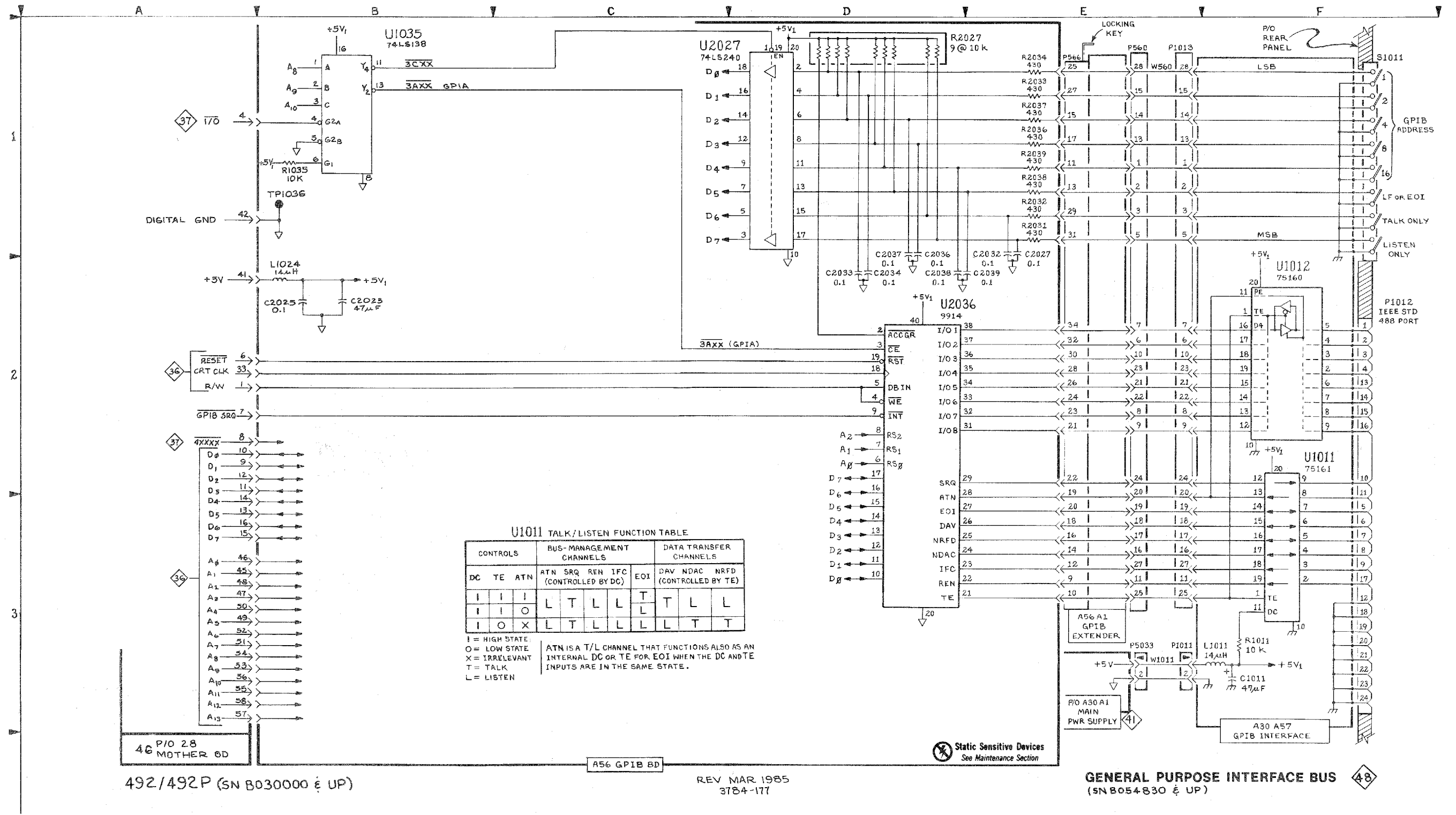
Fig. 8-48A. A56 GPIB Circuit Board (SN B054830 & Up).

3784-196

GPIB DIAGRAM 48
(SN B054830 & UP)

ASSEMBLY A56

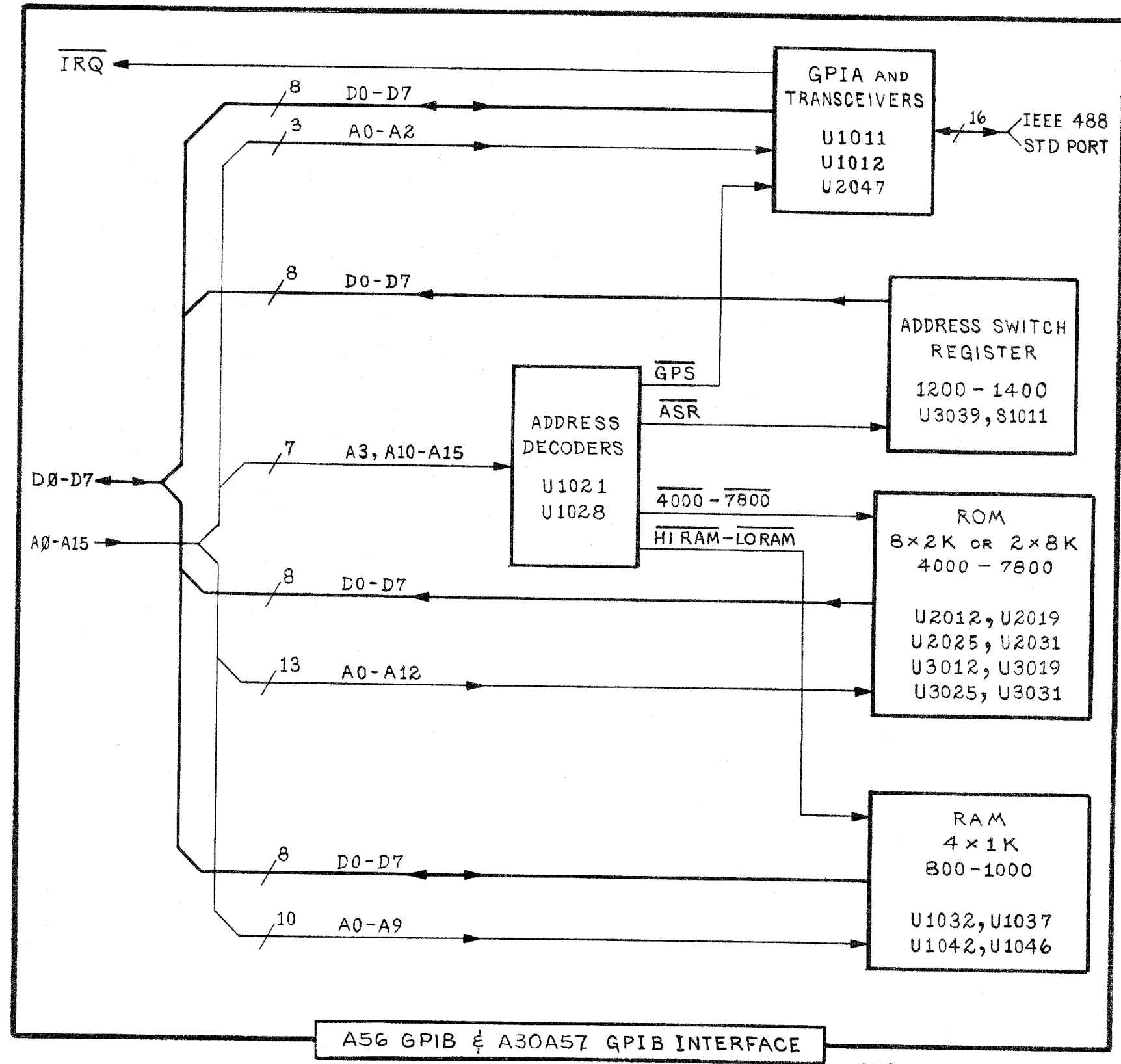
CIRCUIT NUMBER	SCHEM LOCATION	BOARD LOCATION	CIRCUIT NUMBER	SCHEM LOCATION	BOARD LOCATION
BT1022	A1	C1	R2027	D1	C2
			R2031	E1	C2
			C2032	E1	C2
C1014	B3	A1	R2033	E1	C2
C1015	A2	A1	R2034	E1	C2
C1021	B2	B1	R2036	E1	C2
C1022	A1	B1	R2037	E1	C2
C1036	B1	C1	R2038	E1	C2
C2019	C3	B2	R2039	E1	C2
C2023	A2	B2			
C2025	A2	B2	TP1036	A1	C1
C2027	E1	B2			
C2032	E1	C2	U1012	B2	A1
C2033	D2	C2	U1018	B2	A1
C2034	D2	C2	U1022	C2	B1
C2036	D1	C2	U1024	C2	B1
C2037	D1	C2	U1029	C1	C1
C2038	D2	C2	U1033	B1	C1
C2039	E2	C2	U1035	A1	C1
			U2013	B3	A2
CR1025	A1	B1	U2018	C3	A2
			U2022	D3	B2
L1024	A2	B1	U2027	D1	B2
			U2036	D2	C2
R1018	A1	A1			
R1025	A1	B1	W1025	A1	B1
R1035	A1	C1			



492/492P (SN B030000 & UP)

REV MAR 1985
3784-177

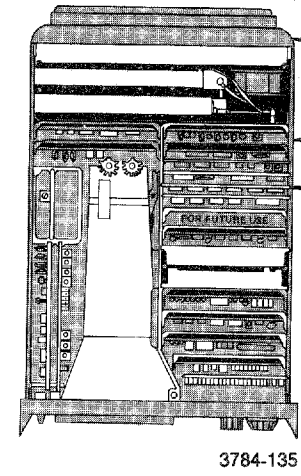
GENERAL PURPOSE INTERFACE BUS 48
(SN B054830 & UP)



A56 GPIB & A30A57 GPIB INTERFACE

3784-125

REV FEB 1983



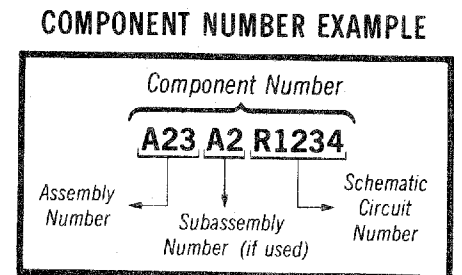
3784-135

GPIB INTERFACE
(LOCATED BEHIND REAR COVER)

GPIB SIDE RAIL
(LOCATED ON CHASSIS SIDE)

GPIB

Static Sensitive Devices
See Maintenance Section



Chassis-mounted components have no Assembly Number prefix—see end of Replaceable Electrical Parts List.

REV MAR 1985

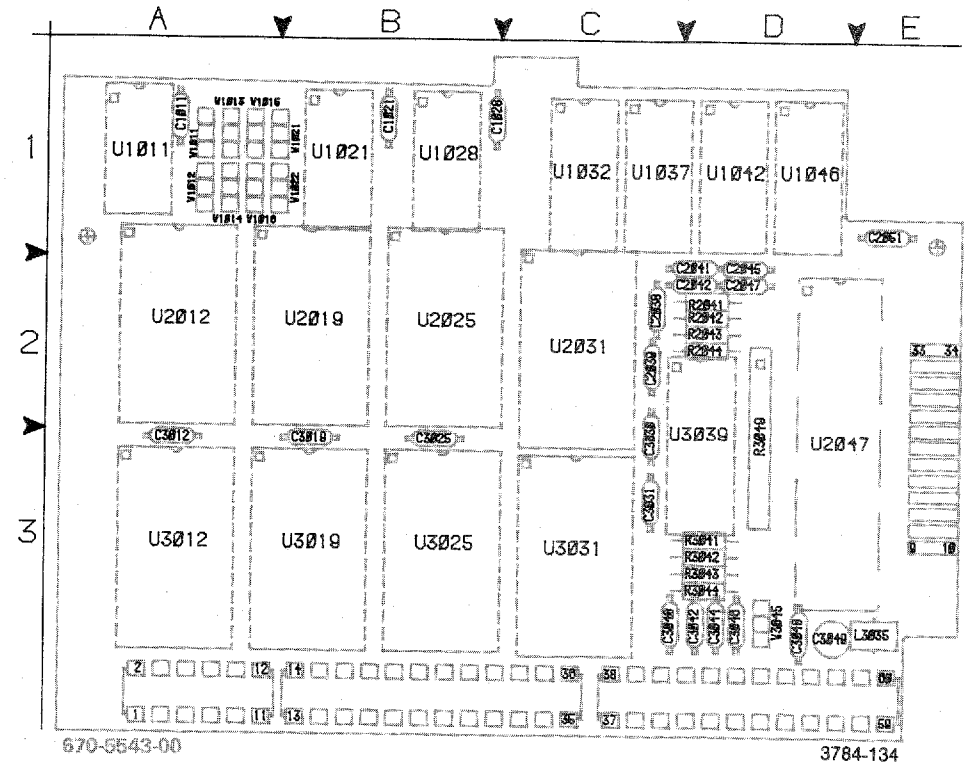


Fig. 8-48. A56—GPIB circuit board.

REPLACEABLE MECHANICAL PARTS

PARTS ORDERING INFORMATION

Replacement parts are available from or through your local Tektronix, Inc. Field Office or representative.

Changes to Tektronix instruments are sometimes made to accommodate improved components as they become available, and to give you the benefit of the latest circuit improvements developed in our engineering department. It is therefore important, when ordering parts, to include the following information in your order: Part number, instrument type or number, serial number, and modification number if applicable.

If a part you have ordered has been replaced with a new or improved part, your local Tektronix, Inc. Field Office or representative will contact you concerning any change in part number.

Change information, if any, is located at the rear of this manual.

ITEM NAME

In the Parts List, an Item Name is separated from the description by a colon (:). Because of space limitations, an Item Name may sometimes appear as incomplete. For further Item Name identification, the U.S. Federal Cataloging Handbook H6-1 can be utilized where possible.

FIGURE AND INDEX NUMBERS

Items in this section are referenced by figure and index numbers to the illustrations.

INDENTATION SYSTEM

This mechanical parts list is indented to indicate item relationships. Following is an example of the indentation system used in the description column.

```

1 2 3 4 5                               Name & Description
Assembly and/or Component
Attaching parts for Assembly and/or Component
    **** END ATTACHING PARTS ****
Detail Part of Assembly and/or Component
Attaching parts for Detail Part
    **** END ATTACHING PARTS ****
Parts of Detail Part
Attaching parts for Parts of Detail Part
    **** END ATTACHING PARTS ****

```

Attaching Parts always appear in the same indentation as the item it mounts, while the detail parts are indented to the right. Indented items are part of, and included with, the next higher indentation.

Attaching parts must be purchased separately, unless otherwise specified.

ABBREVIATIONS

ACTR	ACTUATOR	ELCTR	ELECTRON	IN	INCH	SE	SINGLE END
ADPTR	ADAPTER	ELEC	ELECTRICAL	INCAND	INCANDESCENT	SECT	SECTION
ALIGN	ALIGNMENT	ELCTLT	ELECTROLYTIC	INSUL	INSULATOR	SEMICOND	SEMICONDUCTOR
AL	ALUMINUM	ELEM	ELEMENT	INTL	INTERNAL	SHLD	SHIELD
ASSEM	ASSEMBLED	EPL	ELECTRICAL PARTS LIST	LPHLDR	LAMPHOLDER	SHLDR	SHOULDERED
ASSY	ASSEMBLY	EOPT	EQUIPMENT	MACH	MACHINE	SKT	SOCKET
ATTEN	ATTENUATOR	EXT	EXTERNAL	MECH	MECHANICAL	SL	SLIDE
AWG	AMERICAN WIRE GAGE	FIL	FILLISTER HEAD	MTG	MOUNTING	SLFLKG	SELF-LOCKING
BD	BOARD	FLEX	FLEXIBLE	NIP	NIPPLE	SLVG	SLEEVING
BRKT	BRACKET	FLH	FLAT HEAD	NON WIRE	NOT WIRE WOUND	SPR	SPRING
BRS	BRASS	FLTR	FILTER	OBD	ORDER BY DESCRIPTION	SQ	SQUARE
BRZ	BRONZE	FR	FRAME or FRONT	OD	OUTSIDE DIAMETER	SST	STAINLESS STEEL
BSHG	BUSHING	FSTNR	FASTENER	OVH	OVAL HEAD	STL	STEEL
CAB	CABINET	FT	FOOT	PH BRZ	PHOSPHOR BRONZE	SW	SWITCH
CAP	CAPACITOR	FXD	FIXED	PL	PLAIN or PLATE	T	TUBE
CER	CERAMIC	GSKT	GASKET	PLSTC	PLASTIC	TERM	TERMINAL
CHAS	CHASSIS	HDL	HANDLE	PN	PART NUMBER	THD	THREAD
CKT	CIRCUIT	HEX	HEXAGON	PNH	PAN HEAD	THK	THICK
COMP	COMPOSITION	HEX HD	HEXAGONAL HEAD	PWR	POWER	TNSN	TENSION
CONN	CONNECTOR	HEX SOC	HEXAGONAL SOCKET	RCPT	RECEPTACLE	TPG	TAPPING
COV	COVER	HLCPS	HELICAL COMPRESSION	RES	RESISTOR	TRH	TRUSS HEAD
CPLG	COUPLING	HLEXT	HELICAL EXTENSION	RGD	RIGID	V	VOLTAGE
CRT	CATHODE RAY TUBE	HV	HIGH VOLTAGE	RLF	RELIEF	VAR	VARIABLE
DEG	DEGREE	IC	INTEGRATED CIRCUIT	RTNR	RETAINER	W/	WITH
DWR	DRAWER	ID	INSIDE DIAMETER	SCH	SOCKET HEAD	WSHR	WASHER
		IDENT	IDENTIFICATION	SCOPE	OSCILLOSCOPE	XFMR	TRANSFORMER
		IMPLR	IMPELLER	SCR	SCREW	XSTR	TRANSISTOR

CROSS INDEX - MFR. CODE NUMBER TO MANUFACTURER

Mfr. Code	Manufacturer	Address	City, State, Zip Code
00261	GENERAL ELECTRIC CO FOOD SERVICE EQUIPMENT BUSINESS DEPT	14TH AND ARNOLD STS	CHICAGO HEIGHTS IL 60411
00779	AMP INC	2800 FULLING MILL PO BOX 3608	HARRISBURG PA 17105
02615	NYLOK FASTENER CORP	611 INDUSTRIAL AVE P O BOX 314	PARAMUS NJ 07652-3603
05574	VIKING CONNECTORS INC SUB OF CRITON CORP	21001 NORDHOFF ST	CHATSWORTH CA 91311-5911
05617	BELL INDUSTRIES, ELECTRONIC DISTR. D IV.	1900 132ND, NE	BELLEVUE, WA 98005
05820	EG AND G WAKEFIELD ENGINEERING	60 AUDUBON RD	WAKEFIELD MA 01880-1203
06383	PANDUIT CORP	17301 RIDGELAND	TINLEY PARK IL 07094-2917
06540	MITE CORP AMATOM ELECTRONIC HARDWARE DIV	446 BLAKE ST	NEW HAVEN CT 06515-1238
06666	GENERAL DEVICES CO INC	1410 S POST RD PO BOX 39100	INDIANAPOLIS IN 46239-9632
06915	RICHCO PLASTIC CO	5825 N TRIPP AVE	CHICAGO IL 60646-6013
06950	SCREWCORP VSI AEROSPACE PRODUCTS DIV SUB OF FAIRCHILD INDUSTRIES INC	13001 E TEMPLE AVE PO BOX 730	CITY OF INDUSTRY CA 91746-1417
07416	NELSON NAME PLATE CO	3191 CASITAS	LOS ANGELES CA 90039-2410
07707	USM CORP SUB OF EMHART INDUSTRIES INC USM FASTENER DIV	510 RIVER RD	SHELTON CT 06848-4517
08261	SPECTRA-STRIP AN ELTRA CO	7100 LAMPSON AVE	GARDEN GROVE CA 92642
08530	RELIANCE MICA CORP	341-39TH ST	BROOKLYN NY 11212-2903
09422	PLASTIC STAMPING CORP	2216 W ARMITAGE AVE	CHICAGO IL 60647-4461
09922	BURNDY CORP	RICHARDS AVE	NORWALK CT 06852
11897	PLASTIGLIDE MFG CORP	2701 W EL SEGUNDO BLVD	HAWTHORNE CA 90250-3318
12327	FREEWAY CORP	9301 ALLEN DR	CLEVELAND OH 44125-4632
12360	ALBANY FASTENERS PAWTUCKET FASTENER DIV	327 PINE ST PO BOX 879	PAWTUCKET RI 02862
13103	THERMALLOY CO INC	2021 W VALLEY VIEW LN PO BOX 810839	DALLAS TX 75381
16179	M/A-COM OMNI SPECTRA INC SUB OF M/A-COM INC MICROWAVE CONNECTOR DIV	21 CONTINENTAL BLVD	MERRIMACK NH 03054-4303
16428	COOPER BELDEN ELECTRONIC WIRE AND CA SUB OF COOPER INDUSTRIES INC	NW N ST	RICHMOND IN 47374
18565	CHOMERICS INC	77 DRAGON COURT	WOBURN MA 01801-1039
19505	APPLIED ENGINEERING PRODUCTS	1475 WHALLEY AVE PO BOX A-D	NEW HAVEN CT 06525
22526	DU PONT E I DE NEMOURS AND CO INC DU PONT CONNECTOR SYSTEMS DIV MILITARY PRODUCTS GROUP	515 FISHING CREEK RD	NEW CUMBERLAND PA 17070-3007
22599	AMERACE CORP ESNA DIV	15201 BURBANK BLVD SUITE C	VAN NUYS CA 91411-3532
23050	PRODUCT COMPONENTS CORP	30 LORRAINE AVE	MT VERNON NY 10553-1222
24931	SPECIALTY CONNECTOR CO INC	2100 EARLYWOOD DR PO BOX 547	FRANKLIN IN 46131
26233	NYLOK FASTENER CORP	1161 E SANDHILL AVE SUITE D PO BOX 5228	CARSON CA 90749
26365	GRIES DYNACAST CO DIV OF COATS AND CLARK INC	125 BEECHWOOD AVE	NEW ROCHELLE NY 10802
27264	MOLEX INC	2222 WELLINGTON COURT	LISLE IL 60532-1613
29587	BUNKER RAMO CORP AMPHENOL INDUSTRIAL DIV	1830 S 54TH AVE	CHICAGO IL 60650
31781	EDAC INC	20 RAILSIDE RD	DON MILLS ONT CAN M3A 1A4
32559	BIVAR INC	4 THOMAS ST	IRVINE CA 92718-2512
52961	PRODUCT SERVICES CO	86365 COLLEGE VIEW RD	EUGENE OR 97405
53217	TECHNICAL WIRE PRODUCTS INC DBA TECKNIT INC	320 N NOPAL ST	SANTA BARBARA CA 93103-3225
54152	OMEGA PRECISION HAND TOOL CO INC	145 DENTON AVE	NEW HYDE PARK NY 11040-4006
55285	BERGQUIST CO INC THE	5300 EDINA INDUSTRIAL BLVD	MINNEAPOLIS MN 55435-3707
55322	SAMTEC INC	810 PROGRESS BLVD PO BOX 1147	NEW ALBANY IN 47150-2257
56352	COLE-FLEX CORP	91 CABOT ST	WEST BABYLON NY 11704-1101

CROSS INDEX - MFR. CODE NUMBER TO MANUFACTURER

Mfr. Code	Manufacturer	Address	City, State, Zip Code
56878	SPS TECHNOLOGIES INC AEROSPACE & INDUSTRIAL PRODUCTS INC	HIGHLAND AVE	JENKINTOWN PA 19046
57771	STIMPSON CO INC	900 SYLVAN AVE	BAYPORT NY 11705-1012
70276	ALLEN MFG CO SUB OF CHICAGO PNEUMATIC TOOL CO	P O DRAWER 570	HARTFORD CT 06101
70485	ATLANTIC INDIA RUBBER WORKS INC	571 W POLK ST	CHICAGO IL 60607
70903	COOPER BELDEN ELECTRONICS WIRE AND C SUB OF COOPER INDUSTRIES INC	2000 S BATAVIA AVE	GENEVA IL 60134-3325
71279	MIDLAND-ROSS CORP CAMBION DIV	ONE ALEWIFE PLACE	CAMBRIDGE MA 02138-2310
71400	BUSSMANN DIV OF COOPER INDUSTRIES INC	114 OLD STATE RD PO BOX 14460	ST LOUIS MO 63178
71468	ITT CANNON DIV OF ITT CORP	10550 TALBERT AVE PO BOX 8040	FOUNTAIN VALLEY CA 92728-8040
72228	AMCA INTERNATIONAL CORP CONTINENTAL SCREW CO DIV	459 MT PLEASANT	NEW BEDFORD MA 02742
73743	FISCHER SPECIAL MFG CO	111 INDUSTRIAL RD	COLD SPRING KY 41076-9749
74868	AMPHENDL CORP SUB OF ALLIED CORP R F CONNECTRO OPERATIONS (OPHS)	33 E FRANKLIN ST	DANBURY CT 06810-5803
74970	JOHNSON E F CO	299 10TH AVE S W	WASECA MN 56093-2539
75915	LITTELFUSE TRACTOR INC SUB TRACTOR INC	800 E NORTHWEST HWY	DES PLAINES IL 60016-3049
76854	OAK SWITCH SYSTEMS INC SUB OF OAK TECHNOLOGY INC	100 S MAIN ST PO BOX 517	CRYSTAL LAKE IL 60014-6201
77132	DOT DIV A UNITED-CARR DIV OF TRW INC	250 KNOTTER RD P O BOX 767	CHESHIRE CT 06410
77250	ALLIED PRODUCTS CORP PHEOLL MFG CO DIV	5700 W ROOSEVELT RD	CHICAGO IL 60650-1156
77900	SHAKEPROOF DIV OF ILLINOIS TOOL WORKS	SAINT CHARLES RD	ELGIN IL 60120
78189	ILLINOIS TOOL WORKS INC SHAKEPROOF DIV	ST CHARLES ROAD	ELGIN IL 60120
79136	WALDES KOHINOR IN	47-16 AUSTEL PLACE	LONG ISLAND CITY NY 11101-4402
80009	TEKTRONIX INC	14150 SW KARL BRAUM DR PO BOX 500 MS 53-111	BEAVERTON OR 97077
81041	HOWARD INDUSTRIES DIV OF MSL INDUSTRIES INC	1 NORTH DIXIE HWY PO BOX 287	MILFORD IL 60953
81312	WINCHESTER ELECTRONICS DIVISION LITTON SYSTEMS INC	400 PARK RD	WATERTOWN CT 06795-1612
81350	JOINT ARMY-NAVY SPECIFICATIONS, PROMULGATED BY MILITARY DEPARTMENTS UNDER AUTHORITY OF DEFENSE STANDARD- IZATION MANUAL 4120 3-M		
83385	MICRODOT MFG INC GREER-CENTRAL DIV	3221 W BIG BEAVER RD	TROY MI 48098
83486	ELCO INDUSTRIES INC	1101 SAMUELSON RD	ROCKFORD IL 61101
83553	ASSOCIATED SPRING BARNES GROUP INC	15001 S BROADWAY P O BOX 231	GARDENA CA 90248-1819
85471	BOYD CORP	13885 RAMOMA AVE	CHINO CA 91710
86060	CAMPBELL INDUSTRIAL SUPPLY CO	1705 4TH AVE S PO BOX C2480898124	SEATTLE WA 98134-1514
86113	MICRODOT MFG INC CENTRAL SCREW-KEENE DIV	149 EMERALD ST	KEENE NH 03431-3628
86928	SEASTROM MFG CO INC	701 SONORA AVE	GLENDALE CA 91201-2431
89663	REESE J RAMSEY INC	555 WHITE PLAINS RD	TARRYTOWN NY 10591-5109
91260	CONNOR SPRING AND MFG CO	1729 JUNCTION AVE	SAN JOSE CA 95112
91500	ASHEVILLE-SCHOONMAKER MICA CO	910 JEFFERSON AVE P O BOX 318	NEWPORT NEWS VA 23607-6120
91506	AUGAT INC	33 PERRY AVE P O BOX 779	ATTLEBORO MA 02703-2417
91836	KINGS ELECTRONICS CO INC	40 MARBLEDALE ROAD	TUCKAHOE NY 10707-3420
93907	TEXTRON INC CAMCAR DIV	600 18TH AVE	ROCKFORD IL 61101
94222	SOUTHCO INC	210 N BRINTON LAKE RD	CONCORDVILLE PA 19331
95987	WECKESSER CO INC	4444 WEST IRVING PARK RD	CHICAGO IL 60641

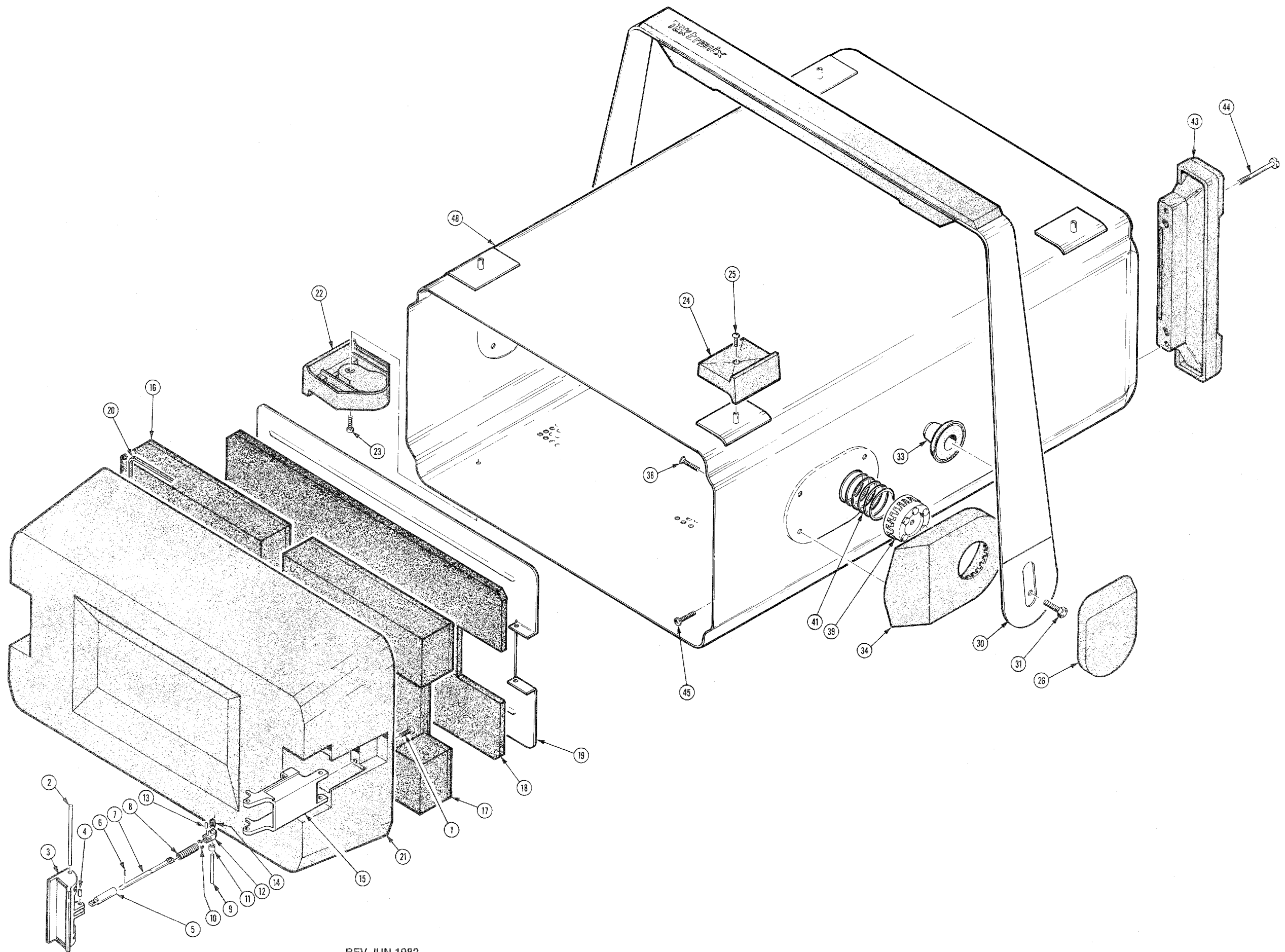
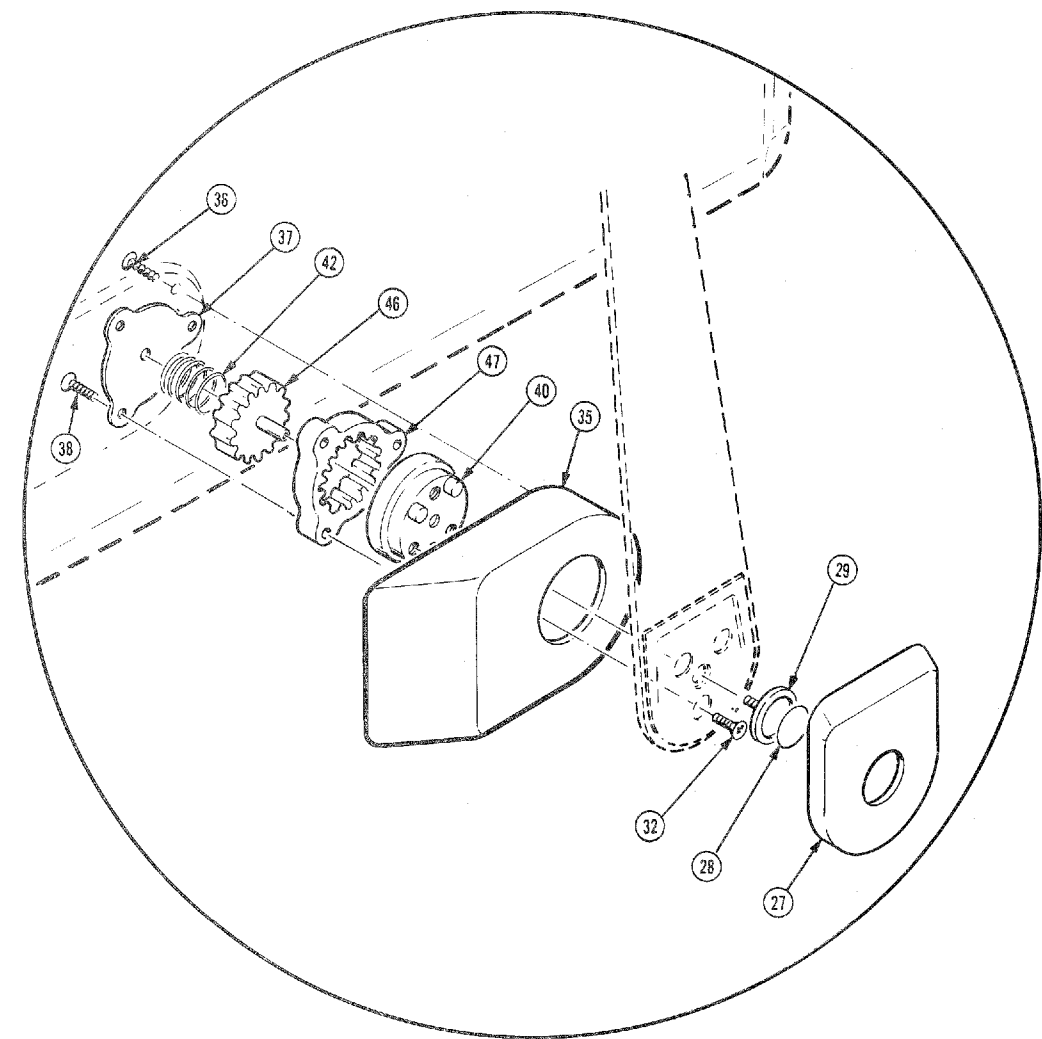
CROSS INDEX - MFR. CODE NUMBER TO MANUFACTURER

Mfr. Code	Manufacturer	Address	City, State, Zip Code
96904	HIGH VOLTAGE ENGINEERING CORP NARVAR CO DIV	ROUTE 70 EAST PO BOX 658	CLAYTON NC 27520
98159	RUBBER TECK INC	19115 HAMILTON AVE PO BOX 389	GARDENA CA 90247
98291	SEAELECTRO CORP BICC ELECTRONICS	40 LINDEMAN DR	TURNBULL CT 06611-4739
S3109	FELLER ASA ADOLF AG C/O PANEL COMPONENTS CORP	355 TESCONI CIRCLE	SANTA ROSA CA 95401
S3629	SCHURTER AG H C/O PANEL COMPONENTS CORP	2015 SECOND STREET	BERKELEY CA 94170
TK0392	NORTHWEST FASTENER SALES INC	7923 SW CIRRUS DRIVE	BEAVERTON OR 97005-6448
TK0409	HUMKE KEN R	2211 NW NICOLAI PO BOX 5128	PORTLAND OR 97208
TK0433	PORTLAND SCREW CO	6520 N BASIN	PORTLAND OR 97217-3920
TK0435	LEWIS SCREW CO	4300 S RACINE AVE	CHICAGO IL 60609-3320
TK0858	STAUFFER SUPPLY CO	105 SE TAYLOR	PORTLAND OR 97214
TK0861	H SCHURTER AG DIST PANEL COMPONENTS	2015 SECOND STREET	BERKELEY CA 94170
TK1319	MORELLIS Q & D PLASTICS	1812 16-TH AVE	FOREST GROVE OR 97116
TK1373	PATELEC-CEM (ITALY)	10156 TORINO	VAICENTALLO 62/45S ITALY
TK1375	ESAM	PO BOX 376	GRANTS PASS OR 97526
TK1452	SHELLY-RAGON INC	8219 SW CIRRUS	BEAVERTON OR 97005
TK1566	METALMATIX INC	2088 WALSH BLVD	SANTA CLARA CA 95050

Fig. & Index No.	Tektronix Part No.	Serial/Assembly No.		Qty	12345 Name & Description	Mfr.	
		Effective	Discont			Code	Mfr. Part No.
1-	650-0568-00			1	FRONT COVER AS:	80009	650-0568-00
	105-0684-01			1	.LATCH ASSEMBLY:	80009	105-0684-01
					.(ATTACHING PARTS)		
-1	211-0507-00			4	.SCREW,MACHINE:6-32 X 0.312,PNH,STL	83385	ORDER BY DESCR
					.(END ATTACHING PARTS)		
					.LATCH ASSY INCLUDES:		
-2	214-2350-00			1	..PIN,STR,HDLS:0.125 DIA X 2.0 L,STL CD PL	TK0433	ORDER BY DESCR
-3	367-0212-01			1	..HANDLE,LATCH:MOLDING	80009	367-0212-01
-4	214-2357-00			1	..PIN,SPRING:0.375 L X 0.125 OD,STL CD PL	22599	52-028-125-0375
-5	351-0463-01			1	..GUIDE,SHAFT:STEEL	80009	351-0463-01
-6	214-1721-00			1	..PIN,SPRING:0.375 L X 0.069,CS CD PL	22599	52-012-062-0375
-7	384-1385-00			1	..EXTENSION SHAFT:2.274 L X 0.188 OD,STL	80009	384-1385-00
-8	214-2352-00			1	..SPRING,HLCPS:0.24 OD X 1.0 L,MUW,CD PL	83553	C0240-042-100M
-9	214-2349-00			1	..PIN,STR,HDLS:0.125 DIA X 1.0 L,STL CD PL	TK0433	ORDER BY DESCR
-10	354-0324-00			1	..RING,RETAINING:EXT TYPE E,U/O 0.14 DIA	79136	5133-14-ST-ZD
-11	361-0762-00			1	..SPACER,CLEEVE:0.15 L X 0.128 ID,BRASS	80009	361-0762-00
-12	105-0686-00			1	..LATCH,COVER:	80009	105-0686-00
-13	214-2351-00			1	..PIN,SPRING:0.375 L X 0.101 OD,STL CD PL	22599	52-022-094-0375
-14	214-2345-00			1	..SPR,HLCL,TRSN:0.245 OD X 0.665 L,SST	80009	214-2345-00
-15	426-1271-02			2	..FRAME,LATCH:	80009	426-1271-02
-16	377-0506-00			1	.INSERT,COVER:ACCESSORIES,LATCH SIDE,FOAM	80009	377-0506-00
-17	377-0507-00			1	.INSERT,COVER:ACCESSORIES,HINGE SIDE,FOAM	80009	377-0507-00
-18	348-0628-00			1	.PAD,CUSHIONING:11.25 X 6.0 X 0.25 FOAM	80009	348-0628-00
-19	200-2228-00			1	.DOOR,ACCESS:FRONT COVER	80009	200-2228-00
-20	348-0524-00			1	.GASKET:FRONT PANEL,SILICONE,W/PSA BACK	85471	R10460M/PSA125
-21	200-2218-01			1	.COVER,FRONT:PLASTIC,PAINTED	80009	200-2218-01
	437-0253-00	B030000	B041979	1	.CABINET,SA:	80009	437-0253-00
	437-0253-01	B041980	B055865	1	.CABINET,SA:	80009	437-0253-01
	437-0253-03	B055866		1	.CABINET,SA:	80009	437-0253-03
-22	348-0585-00			4	.FOOT,CABINET:BLUE,PLASTIC	80009	348-0585-00
					.(ATTACHING PARTS)		
-23	211-0674-00			4	.SCREW,MACHINE:6-32 X 0.312,TRH,STL	83486	ORDER BY DESCR
					.(END ATTACHING PARTS)		
-24	348-0587-00			4	.FOOT,CABINET:BLUE,PLASTIC	80009	348-0587-00
					.(ATTACHING PARTS)		
-25	211-0674-00			4	.SCREW,MACHINE:6-32 X 0.312,TRH,STL	83486	ORDER BY DESCR
					.(END ATTACHING PARTS)		
-26	200-2324-00	B030000	B041979	2	.CAP,HANDLE:PLASTIC	80009	200-2324-00
-27	200-2622-00	B041980		2	.CAP,HANDLE:	80009	200-2622-00
-28	334-4661-00			2	.MARKER,IDENT:MKD PUSH	80009	334-4661-00
-29	214-3199-00	B030000	B055865	2	.BUTTON,RELEASE:	80009	214-3199-00
	214-3199-01	B055866		2	.BUTTON,RELEASE:ALUMINUM	80009	214-3199-01
-30	367-0246-02	B030000	B041979	1	.HANDLE,CARRYING:W/BUMPERS	80009	367-0246-02
	367-0306-01	B041980		1	.HANDLE,CARRYING:MOLDED W/PLASTIC	80009	367-0306-01
					.(ATTACHING PARTS)		
-31	212-0637-00	B030000	B041979	2	.SCREW,MACHINE:10-24 X 0.625 L,HEX HD,STL	02615	ORDER BY DESCR
-32	212-0560-00	B041980		6	.SCREW,MACHINE:10-32 X 0.312,FLH,100 DEG	TK0435	ORDER BY DESCR
					.(END ATTACHING PARTS)		
					.HANDLE ASSY INCLUDES:		
-33	348-0644-00	B030000	B041979	2	..BUMPER,RUBBER:VINYL ELASTOMER,BLACK	80009	348-0644-00
-34	214-2782-00	B030000	B041979	2	.INDEX,HANDLE:ALUMINUM	80009	214-2782-00
-35	380-0668-00			2	.HOUSING,INDEX:	80009	380-0668-00
					.(ATTACHING PARTS)		
-36	213-0858-00			8	.SCREW,TPG,TR:6-32 X 0.5 L,TAPTITE,FLH	83385	ORDER BY DESCR
					.(END ATTACHING PARTS)		
-37	200-2694-00			2	.COVER,INDEX:ALUMINUM	80009	200-2694-00
					.(ATTACHING PARTS)		
-38	213-0918-00			6	.SCREW,TPG,TR:8-32 X 0.625,FLH,82 DEG,POZ	72228	ORDER BY DESCR
					.(END ATTACHING PARTS)		
-39	214-0515-02	B030000	B041979	2	.HUB,HDL INDEX:1.42 DIA X 0.565 THK	80009	214-0515-02
-40	214-3198-00			2	.INDEX,HANDLE:	80009	214-3198-00
-41	214-3024-00	B030000	B041979	2	.SPRING,HLCPS:0.96 OD X 1.35 ,CLE,SST	80009	214-3024-00
-42	214-3200-00			2	.SPRING,HLCPS:0.798 OD X 1.1 L,CLE,MUW	80009	214-3200-00
-43	348-0589-00			2	.FOOT,CABINET:BLUE,PLASTIC	80009	348-0589-00
					.(ATTACHING PARTS)		
-44	212-0630-01			4	.SCREW,SPCL MACH:10-24 X 1.55 L,FLH,45 DEG	TK0858	ORDER BY DESCR
-45	211-0513-00			4	.SCREW,MACHINE:6-32 X 0.625,PNH,STL	93907	B80-00032-003
					.(END ATTACHING PARTS)		

Replaceable Mechanical Parts
 492/492P Service Vol. 2 (B030000 & Up)

Fig. & Index No.	Tektronix Part No.	Serial/Assembly No.		Qty	12345 Name & Description	Mfr.	
		Effective	Dscont			Code	Mfr. Part No.
1-46	105-0893-00			2	.INDEX RLSE,HDL:	80009	105-0893-00
-47	105-0894-00			2	.INDEX STOP,HDL:	80009	105-0894-00
-48	437-0232-01	B030000	B041789	1	.CABINET,SA:	80009	437-0232-01
	437-0232-02	B041790	B042779	1	.CABINET,SA:	80009	437-0232-02
	437-0232-03	B042780		1	.CABINET,SA:	80009	437-0232-03



REV JUN 1982

492/492P SERVICE VOL. 2 (B030000 & up)

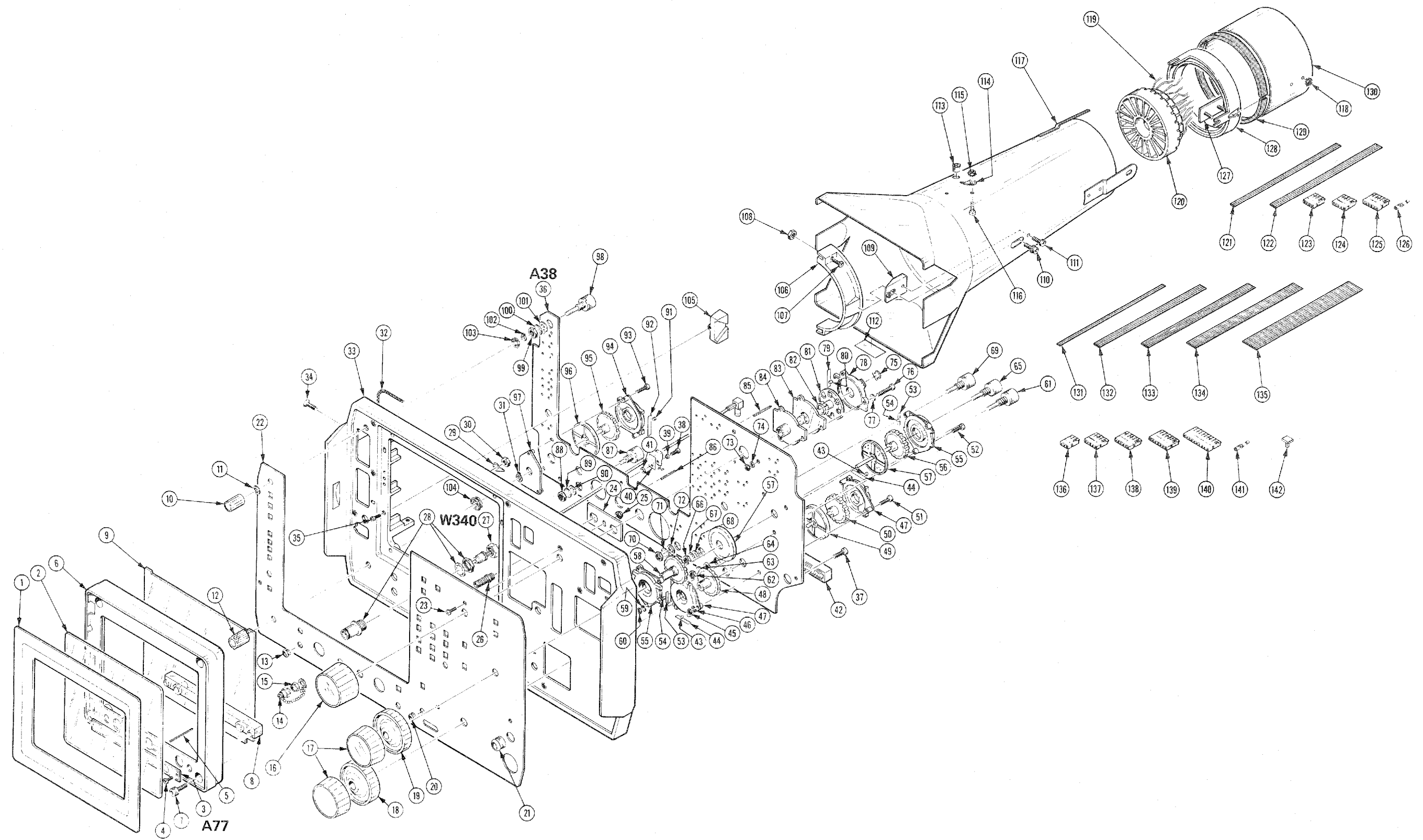


FIG. 2. FRONT PANEL & CRT

Replaceable Mechanical Parts
492/492P Service Vol. 2 (B030000 & Up)

Fig. & Index No.	Tektronix Part No.	Serial/Assembly No.		Qty	12345 Name & Description	Mfr.	
		Effective	Dscont			Code	Mfr. Part No.
2-1	426-1523-02			1	FRAME,MASK:5.0 CRT,SILVER GRAY,PLASTIC	80009	426-1523-02
-2	378-0115-00			1	FILTER,LT,CRT:BLUE,4.176 X 3.418,PLASTIC	80009	378-0115-00
-3	-----			1	CKT BOARD ASSY:CRT GRATICULE LIGHT (SEE A77 REPL) (ATTACHING PARTS)		
-4	213-0772-00			2	SCREW,TPG,TF:2-28 X 0.5,PLASTITE,PNH,STL (END ATTACHING PARTS) CKT BOARD ASSY INCLUDES:	83486	ORDER BY DESCR
-5	131-0592-00	B055696		2	.TERMINAL,PIN:0.885 L X 0.025 SQ BRS	22526	47333
	361-1369-00			1	SPACER,CKT BD:0.01 X 3.6 X 0.42,PC	80009	361-1369-00
-6	200-2216-01			1	RTNR,CRT SCALE:5.0 CRT,ALUMINUM (ATTACHING PARTS)	80009	200-2216-01
-7	212-0128-00			4	SCREW,CAP:8-32 X 0.5,SCH,STL (END ATTACHING PARTS)	TK0433	ORDER BY DESCR
-8	378-0877-00			1	REFLECTOR,LIGHT:PLASTIC	80009	378-0877-00
-9	337-2577-00			1	SHLD,IMPLOSION:CLEAR,5.0 CRT,PLASTIC	80009	337-2577-00
-10	366-1786-01			3	SHELL,KNOB:GRAY,0.375 OD X 0.55 H,	80009	366-1786-01
	213-0140-00			6	.SETSCREW:2-56 X 0.094,STL	TK0433	ORDER BY DESCR
-11	210-1160-00			6	WASHER,FLAT:0.129 ID X 0.25 OD X 0.031	86928	5612-32-31
-12	366-1781-00			1	SHELL,KNOB:SIL GY,0.587 OD X 0.625 H	80009	366-1781-00
	213-0140-00			2	.SETSCREW:2-56 X 0.094,STL	TK0433	ORDER BY DESCR
-13	358-0301-01			1	BUSHING,SLEEVE:0.16 ID X 0.205 OD	80009	358-0301-01
-14	-----			2	TERMN,COAXIAL:(SEE P110,P112 REPL) (ATTACHING PARTS)		
-15	220-0531-02			2	NUT,PLAIN,HEX:0.25-36 X 0.312 HEX,BRS NP (END ATTACHING PARTS)	80009	220-0531-02
-16	366-1782-01			1	SHELL,KNOB:SIL GRAY,1.125 OD X 0.65 H,ABS	80009	366-1782-01
	213-0243-00			2	.SETSCREW:5-40 X 0.25,STL	70276	ORDER BY DESCR
-17	366-1780-01			2	SHELL,KNOB:SIL GRAY,1.375 OD X 0.375 H	80009	366-1780-01
	213-0243-00			4	.SETSCREW:5-40 X 0.25,STL	70276	ORDER BY DESCR
-18	366-1779-01			1	SHELL,KNOB:SIL GY,1.1 OD X 0.5 H,PLSTC	80009	366-1779-01
	213-0153-00			1	SETSCREW:5-40 X 0.125,STL	TK0392	ORDER BY DESCR
-19	366-1779-00			1	SHELL,KNOB:SIL GY,1.1 OD X 0.5 H,PLSTC	80009	366-1779-00
	213-0153-00			1	.SETSCREW:5-40 X 0.125,STL	TK0392	ORDER BY DESCR
-20	358-0301-02			2	BUSHING,SLEEVE:0.16 ID X 0.205 OD	80009	358-0301-02
-21	358-0216-00			1	GROMMET,PLASTIC:GRAY,ROUND,0.257 ID	80009	358-0216-00
-22	333-2453-00	B030000	B042399	1	PANEL,FRONT:	80009	333-2453-00
	333-2453-37	B042400		1	PANEL,FRONT: (ATTACHING PARTS)	80009	333-2453-37
-23	211-0087-01			1	SCREW,MACHINE:2-56 X 0.188,FLH,82 DEG,STL (END ATTACHING PARTS)	TK0435	ORDER BY DESCR
-24	386-3969-00			1	PLATE,CONN MTG:ANTI ROTATION,ALUMINUM (ATTACHING PARTS)	80009	386-3969-00
-25	210-0589-00			1	NUT,SLFLKG,HEX:4-40 X 0.246,STL CD PL (END ATTACHING PARTS)	TK0409	CF22NM40
-26	131-2343-00			2	CONN,RCPT,ELEC:SMA,DOUBLE FEMALE	16179	2084-3202-02
-27	-----			1	CABLE ASSY,RF:(SEE W340 REPL)		
-28	131-0818-00			1	CONN,RCPT,ELEC:BNC,FEMALE	91836	KC-19-153
-29	210-0201-00			1	TERMINAL,LUG:0.12 ID,LOCKING,BRZ TIN PL (ATTACHING PARTS)	86928	A373-157-2
-30	210-0586-00			1	NUT,PL,ASSEM WA:4-40 X 0.25,STL CD PL (END ATTACHING PARTS)	78189	211-041800-00
-31	354-0177-00			3	RING,RETAINING:BASIC EXT,U/O 0.25 ID SHAFT	79136	5100-25-ZD
-32	337-0925-04			1	SHLD GSKT,ELEK:37.0 L	TK1375	ORDER BY DESCR
	361-0020-00	B042716		1	INSULATOR,WSHR:0.156 ID X 0.3 OD X 0.78	80009	361-0020-00
-33	386-3845-05			1	SUBPANEL,FRONT: (ATTACHING PARTS)	80009	386-3845-05
-34	212-0642-00			4	SCREW,MACHINE:10-32 X 0.375 L,FLH 100 DEG	86113	ORDER BY DESCR
-35	211-0576-00			4	SCREW,CAP:6-32 X 0.875,SCH,STL (END ATTACHING PARTS)	56878	ORDER BY DESCR
-36	-----			1	CKT BOARD ASSY:FRONT PANEL (SEE A38 REPL) (ATTACHING PARTS)		
-37	211-0121-00			11	SCR,ASSEM WSHR:4-40 X 0.438,PNH,BRS	TK0435	ORDER BY DESCR
-38	211-0008-01			1	SCREW,MACHINE:4-40 X 0.25,PNH,STL	26233	ORDER BY DESCR
-39	210-1178-00			1	WASHER,SHLDR:	13103	7721-7PPS
-40	342-0163-00			1	INSULATOR,PLATE:TRANSISTOR,MICA	80009	342-0163-00

Replaceable Mechanical Parts
492/492P Service Vol. 2 (B030000 & Up)

Fig. & Index No.	Tektronix Part No.	Serial/Assembly No.		Qty	12345 Name & Description	Mfr.	
		Effective	Discont			Code	Mfr. Part No.
2-41	210-0851-00			1	WASHER, FLAT: 0.119 ID X 0.375 OD X 0.025, STL (END ATTACHING PARTS)	12327	ORDER BY DESCR
-42	131-1229-00			1	CKT BOARD ASSY INCLUDES: .CONN, RCPT, ELEC: EDGE CARD, 22/44 CONT, 0.156 SP .SW ROTARY ASSY: (SEE A38S1023 REPL)	05574	000201-5447
-43	214-1127-00			4	.ROLLER, DETENT: 0.125 DIA X 0.125, SST	80009	214-1127-00
-44	214-1126-01			4	.SPRING, FLAT: 0.7 X 0.125, CU BE GRN CLR	80009	214-1126-01
-45	210-0405-00			3	.NUT, PLAIN, HEX: 2-56 X 0.188, BRS CD PL	73743	12157-50
-46	210-0053-00			3	.WASHER, LOCK: #2 SPLIT, 0.02 THK STL	78189	ORDER BY DESCR
-47	401-0340-01			2	.BEARING, RTRY SW: FRONT, 0.375 DIA	80009	401-0340-01
-48	384-1462-04	B030000	B043040	1	.SHAFT, ROTARY SW: 0.81 L X 0.248 OD, W/DETENT	80009	384-1462-04
	384-1462-07	B043041		1	.SHAFT, ROTARY SW: W/DETENT, 18/7 POSN, 20 DEG	80009	384-1462-07
-49	352-0457-21			1	.HOLDER, CONTACT: PANCAKE SW, 4 CONT, GRAY PC	80009	352-0457-21
	352-0457-25			1	.HOLDER, CONTACT: 1 CONTACT, GRAY PC	80009	352-0457-25
	352-0457-22			1	.HOLDER, CONTACT: PANCAKE SW, 2 CONT, GRAY PC	80009	352-0457-22
-50	384-1463-01	B030000	B043040	1	.EXTENSION SHAFT: W/DETENT, 7 POSN, 16 STOPS	80009	384-1463-01
	384-1463-04	B043041		1	.SHAFT, ROTARY SW: 16/11 POS, 1.535 L	80009	384-1463-04
-51	211-0034-00			3	.SCREW, MACHINE: 2-56 X 0.5, PNH, STL .SW ROTARY ASSY: (SEE A38S2020 REPL)	06950	ORDER BY DESCR
-52	211-0034-00			3	.SCREW, MACHINE: 2-56 X 0.5, PNH, STL	06950	ORDER BY DESCR
-53	214-1126-01			4	.SPRING, FLAT: 0.7 X 0.125, CU BE GRN CLR	80009	214-1126-01
-54	214-1127-00			4	.ROLLER, DETENT: 0.125 DIA X 0.125, SST	80009	214-1127-00
-55	401-0340-01			2	.BEARING, RTRY SW: FRONT, 0.375 DIA	80009	401-0340-01
-56	384-1463-01	B030000	B043040	1	.EXTENSION SHAFT: W/DETENT, 7 POSN, 16 STOPS	80009	384-1463-01
	384-1463-04	B043041		1	.SHAFT, ROTARY SW: 16/11 POS, 1.535 L	80009	384-1463-04
-57	352-0457-21			2	.HOLDER, CONTACT: PANCAKE SW, 4 CONT, GRAY PC	80009	352-0457-21
-58	384-1462-01	B030000	B043040	1	.SHAFT, ROTARY SW: W/DETENT, 24 POSN, 15 DEG	80009	384-1462-01
	384-1462-06	B043041		1	.SHAFT, ROTARY SW: W/DETENT, 24 POSN, 15 DEG	80009	384-1462-06
-59	210-0053-00			3	.WASHER, LOCK: #2 SPLIT, 0.02 THK STL	78189	ORDER BY DESCR
-60	210-0405-00			3	.NUT, PLAIN, HEX: 2-56 X 0.188, BRS CD PL	73743	12157-50
-61	-----			1	.RESISTOR, VAR: (SEE A38R6049 REPL) (ATTACHING PARTS)		
-62	210-0583-00			1	.NUT, PLAIN, HEX: 0.25-32 X 0.312, BRS CD PL	73743	2X-20319-402
-63	210-0046-00			1	.WASHER, LOCK: 0.261 ID, INTL, 0.018 THK, STL	77900	1214-05-00-0541C
-64	210-0940-00			1	.WASHER, FLAT: 0.25 ID X 0.375 OD X 0.02, STL (END ATTACHING PARTS)	12327	ORDER BY DESCR
-65	-----			1	.RESISTOR, VAR: (SEE A38R6051 REPL) (ATTACHING PARTS)		
-66	210-0583-00			1	.NUT, PLAIN, HEX: 0.25-32 X 0.312, BRS CD PL	73743	2X-20319-402
-67	210-0046-00			1	.WASHER, LOCK: 0.261 ID, INTL, 0.018 THK, STL	77900	1214-05-00-0541C
-68	210-0940-00			1	.WASHER, FLAT: 0.25 ID X 0.375 OD X 0.02, STL (END ATTACHING PARTS)	12327	ORDER BY DESCR
-69	-----			1	.RESISTOR, VAR: (SEE A38R6062 REPL) (ATTACHING PARTS)		
-70	210-0583-00			1	.NUT, PLAIN, HEX: 0.25-32 X 0.312, BRS CD PL	73743	2X-20319-402
-71	210-0046-00			1	.WASHER, LOCK: 0.261 ID, INTL, 0.018 THK, STL	77900	1214-05-00-0541C
-72	210-0940-00			1	.WASHER, FLAT: 0.25 ID X 0.375 OD X 0.02, STL (END ATTACHING PARTS)	12327	ORDER BY DESCR
	-----			1	.SWITCH, ROTARY: (SEE A38S2035 REPL) (ATTACHING PARTS)		
-73	210-0406-00			3	.NUT, PLAIN, HEX: 4-40 X 0.188, BRS CD PL	73743	12161-50
-74	210-1002-00			3	.WASHER, FLAT: 0.125 ID X 0.25 OD X 0.022	86928	5714-147-20N
	361-1178-00			4	.SPACER, SLEEVE: 0.175 X 0.167 OD, NYLON (END ATTACHING PARTS)	32559	907-.105
-75	343-0707-00			1	.RETAINER, SPRING: AL	80009	343-0707-00
-76	211-0016-00			3	.SCREW, MACHINE: 4-40 X 0.625, PNH, STL	TK0435	ORDER BY DESCR
-77	210-0004-00			3	.WASHER, LOCK: #4 INTL, 0.015 THK, STL	77900	1204-00-00-0541C
-78	380-0504-00			1	.HOUSING, SWITCH: POLYCARBONATE	TK1319	N/A
-79	214-1126-01			1	.SPRING, FLAT: 0.7 X 0.125, CU BE GRN CLR	80009	214-1126-01
-80	214-3197-00			1	.BUTTON, FRICTION: ACETAL NATURAL	80009	214-3197-00
-81	384-1522-01			1	.SHAFT, ROTARY SW: 1.374 L X 0.248 OD, BRASS	80009	384-1522-01
-82	210-0992-00			1	.WASHER, FLAT: 0.265 ID X 0.437 OD X 0.01	80009	210-0992-00
-83	351-0528-00			1	.GUIDE, LIGHT: CLEAR POLYCARBONATE	TK1319	N/A
-84	401-0418-00			1	.BEARING, RTRY SW: FRONT, 0.254 ID	80009	401-0418-00
-85	131-0590-00			4	.TERMINAL, PIN: 0.71 L X 0.025 SQ PH BRZ	22526	47331
-86	131-0589-00			2	.TERMINAL, PIN: 0.46 L X 0.025 SQ PH BRZ	22526	48283-029
-87	-----			2	.RES, VAR: (SEE A38R6104, A38R6106 REPL)		

Fig. & Index No.	Tektronix Part No.	Serial/Assembly No. Effective	Dscnt	Qty	12345 Name & Description	Mfr. Code	Mfr. Part No.
2-					.(ATTACHING PARTS)		
-88	210-0583-00			2	.NUT,PLAIN,HEX:0.25-32 X 0.312,BRS CD PL	73743	2X-20319-402
-89	210-0046-00			2	.WASHER,LOCK:0.261 ID,INTL,0.018 THK,STL	77900	1214-05-00-0541C
-90	210-0940-00			2	.WASHER,FLAT:0.25 ID X 0.375 OD X 0.02,STL	12327	ORDER BY DESCR
	-----			1	.(END ATTACHING PARTS)		
				1	.SW ROTARY ASSY:(SEE A38S6118 REPL)		
-91	214-1127-00			2	..ROLLER,DETENT:0.125 DIA X 0.125,SST	80009	214-1127-00
-92	214-1126-01			2	..SPRING,FLAT:0.7 X 0.125,CU BE GRN CLR	80009	214-1126-01
-93	213-0759-00			3	..SCREW,TPG,TF:2-28 X 0.437,PNH,STL	93907	ORDER BY DESCR
-94	401-0340-01			1	..BEARING,RTRY SW:FRONT,0.375 DIA	80009	401-0340-01
-95	384-1492-01			1	..SHAFT,ROTARY SW:0.925 L X 0.248 OD	80009	384-1492-01
-96	352-0457-22			1	..HOLDER,CONTACT:PANCAKE SW,2 CONT,GRAY PC	80009	352-0457-22
-97	401-0341-01			1	..BEARING,RTRY SW:REAR,0.252 ID	80009	401-0341-01
	346-0032-00	B054245		1	.STRAP,RETAINING:0.075 DIA X 4.0 L,MLD RBR	98159	2829-75-4
-98	-----			3	.RESISTOR,VAR:(SEE A38R1121,A38R4043 & A38R4121 REPL)		
					.(ATTACHING PARTS)		
-99	210-0583-00			3	.NUT,PLAIN,HEX:0.25-32 X 0.312,BRS CD PL	73743	2X-20319-402
-100	210-0046-00			3	.WASHER,LOCK:0.261 ID,INTL,0.018 THK,STL	77900	1214-05-00-0541C
-101	210-0940-00			3	.WASHER,FLAT:0.25 ID X 0.375 OD X 0.02,STL	12327	ORDER BY DESCR
					.(END ATTACHING PARTS)		
-102	354-0392-00			7	RING,RETAINING:EXT GRIP,U/O 0.125 DIA SFT	79136	5555-12ZD
-103	214-2616-00			8	CONTACT,ELEC:GROUNDING,CU BE	80009	214-2616-00
-104	214-2617-00			3	SPRING,GROUND:0.248 ID,COPPER BERYLLIUM	80009	214-2617-00
-105	343-0760-00			4	CLP,ELCTRN TUBE:CRT,POLYPHENYLENE	80009	343-0760-00
-106	343-0811-01	B030000	B053969	2	CLAMP,CRT:ABS	80009	343-0811-01
	343-0811-02	B053970		2	CLAMP,CRT:ABS	80009	343-0811-02
					(ATTACHING PARTS)		
-107	211-0020-00			4	SCREW,MACHINE:4-40 X 1.125,PNH,STL	TK0435	ORDER BY DESCR
-108	210-0586-00			4	NUT,PL,ASSEM WA:4-40 X 0.25,STL CD PL	78189	211-041800-00
					(END ATTACHING PARTS)		
-109	361-0920-00			2	SPACER,CRT SHLD:	80009	361-0920-00
					(ATTACHING PARTS)		
-110	211-0116-00			2	SCR,ASSEM WSHR:4-40 X 0.312,PNH,BRS,NP,POZ	77900	ORDER BY DESCR
-111	213-0034-00			2	SCREW,TPG,TC:4-40 X 0.312,TYPE T,PNH,STL	77250	ORDER BY DESCR
					(END ATTACHING PARTS)		
-112	334-3689-00			1	MARKER,IDENT:MKD J770	80009	334-3689-00
-113	348-0003-00			1	GROMMET,RUBBER:BLACK,ROUND,0.219 ID	70485	1411B6040
-114	210-0201-00			1	TERMINAL,LUG:0.12 ID,LOCKING,BRZ TIN PL	86928	A373-157-2
					(ATTACHING PARTS)		
-115	210-0586-00			1	NUT,PL,ASSEM WA:4-40 X 0.25,STL CD PL	78189	211-041800-00
-116	211-0008-00			1	SCREW,MACHINE:4-40 X 0.25,PNH,STL	93907	ORDER BY DESCR
					(END ATTACHING PARTS)		
-117	337-2623-00			1	SHIELD,CRT:FRONT	80009	337-2623-00
					(ATTACHING PARTS)		
-118	210-0586-00			6	NUT,PL,ASSEM WA:4-40 X 0.25,STL CD PL	78189	211-041800-00
					(END ATTACHING PARTS)		
-119	136-0717-00			1	SKT,PL-IN ELEK:ELCTRN TUBE,W/LEADS	TK1375	136-0717-00
-120	136-0358-01			1	.SKT,PL-IN ELEK:ELECTRON TUBE,20 CONTACT	80009	136-0358-01
-121	175-0826-00			AR	.CABLE,SP,ELEC:3,26 AWG,STRD,PVC JKT,RBN	80009	175-0826-00
-122	175-0827-00			AR	.CABLE,SP,ELEC:4,26 AWG,STRD,PVC JKT,RBN	08261	111-2699-954
-123	352-0162-00			1	.HLDR,TERM CONN:4 WIRE,BLACK	80009	352-0162-00
	352-0162-03			1	.HLDR,TERM CONN:4 WIRE,ORANGE	80009	352-0162-03
-124	352-0163-00			1	.HLDR,TERM CONN:5 WIRE,BLACK	80009	352-0163-00
-125	352-0164-00			2	.HLDR,TERM CONN:6 WIRE,BLACK	80009	352-0164-00
-126	131-0707-00			13	.CONTACT,ELEC:22-26 AWG,BRS,CU BE GLD PL	22526	47439-000
-127	386-4165-00			3	PLATE,MOUNTING:CRT,ALUMINUM	80009	386-4165-00
-128	361-0921-00			1	SPACER,CRT SHLD:	80009	361-0921-00
-129	252-0571-00			AR	NEOPRENE EXTR:CHAN,0.234 X 0.156	85471	ORDER BY DESCR
-130	337-2622-00			1	SHIELD,CRT:REAR	80009	337-2622-00
	198-4208-00			1	WIRE SET,ELEC:	80009	198-4208-00
-131	175-0825-00			AR	.CABLE,SP,ELEC:2,26 AWG,STRD,PVC JKT,RBN	80009	175-0825-00
-132	175-0827-00			AR	.CABLE,SP,ELEC:4,26 AWG,STRD,PVC JKT,RBN	08261	111-2699-954
-133	175-0828-00			AR	.CABLE,SP,ELEC:5,26 AWG,STRD,PVC JKT,RBN	08261	111-2699-955
-134	175-0829-00			AR	.CABLE,SP,ELEC:6,26 AWG,STRD,PVC JKT,RBN	08261	111-2699-973
-135	175-0832-00			AR	.CABLE,SP,ELEC:9,26 AWG,STRD,PVC JKT,RBN	08261	111-2699-956
-136	352-0161-00			2	.HLDR,TERM CONN:3 WIRE,BLACK	80009	352-0161-00
-137	352-0163-00			1	.HLDR,TERM CONN:5 WIRE,BLACK	80009	352-0163-00

Replaceable Mechanical Parts
 492/492P Service Vol. 2 (B030000 & Up)

Fig. & Index No.	Tektronix Part No.	Serial/Assembly No. Effective Dscont	Qty	12345	Name & Description	Mfr. Code	Mfr. Part No.
2-138	352-0164-00		2		.HLDR,TERM CONN:6 WIRE,BLACK	80009	352-0164-00
-139	352-0165-00		2		.HLDR,TERM CONN:7 WIRE,BLACK	80009	352-0165-00
-140	352-0168-00		2		.HLDR,TERM CONN:10 WIRE,BLACK	80009	352-0168-00
-141	131-0707-00		38		.CONTACT,ELEC:22-26 AWG,BRS,CU BE GLD PL	22526	47439-000
-142	134-0153-00		6		.KEY,CONN PLZN:MINI LATCH HOUSING,PLASTIC	80009	134-0153-00

Fig. & Index No.	Tektronix Part No.	Serial/Assembly No. Effective	Dscont	Qty	12345 Name & Description	Mfr. Code	Mfr. Part No.
3-1	200-2220-00			1	GUARD,CKT BD:	80009	200-2220-00
-2	334-2257-01			1	.MARKER,IDENT:MARKED CAUTION	80009	334-2257-01
-3	-----			1	CKT BOARD ASSY:HIGH VOLTAGE (SEE A74 REPL) (ATTACHING PARTS)		
-4	211-0097-00			1	SCREW,MACHINE:4-40 X 0.312,PNH,STL (END ATTACHING PARTS)	TK0435	ORDER BY DESCR
-5	-----			1	CKT BOARD ASSY INCLUDES: .TRANSISTOR:(SEE A74Q1073 REPL) (ATTACHING PARTS)		
-6	211-0012-01			1	.SCREW,MACHINE:4-40 X 0.375,PNH,STL	26233	ORDER BY DESCR
-7	384-0531-00			1	.SPACER,POST:0.656 L,0.25 DIA,NYLON	80009	384-0531-00
-8	210-0054-00			1	.WASHER,LOCK:#4 SPLIT,0.025 THK STL	78189	ORDER BY DESCR
-9	210-1171-00			1	.WASHER,SHLDR:0.12 ID X 0.143 OD X 0.07 D (END ATTACHING PARTS)	00261	A7148516P2
-10	342-0354-00			1	.INSULATOR,PLATE:TRANSISTOR	55285	7403-09FR-52
-11	131-2196-00			1	.CONN,RCPT,ELEC:CKT BD,6/12,FEMALE	00779	3-85927-6
-12	214-0579-00			1	.TERM,TEST POINT:BRS CD PL	80009	214-0579-00
-13	131-0608-00			5	.TERMINAL,PIN:0.365 L X 0.025 BRZ GLD PL	22526	48283-036
	131-0993-00	B040220		1	.BUS,CONDUCTOR:SHUNT ASSEMBLY,BLACK	22526	65474-005
-14	-----			1	CKT BOARD ASSY:HIGH VOLTAGE (SEE A74A1 REPL) (ATTACHING PARTS)		
-15	210-0586-00	B030000	B040219	2	.NUT,PL,ASSEM WA:4-40 X 0.25,STL CD PL	78189	211-041800-00
	210-0406-00	B040220		2	.NUT,PLAIN,HEX:4-40 X 0.188,BRS CD PL	73743	12161-50
	210-0054-00	B040220		2	.WASHER,LOCK:#4 SPLIT,0.025 THK STL (END ATTACHING PARTS)	78189	ORDER BY DESCR
-16	337-2556-01			1	SHIELD,ELEC:HIGH VOLTAGE (ATTACHING PARTS)	80009	337-2556-01
-17	211-0507-00			1	SCREW,MACHINE:6-32 X 0.312,PNH,STL	83385	ORDER BY DESCR
-18	211-0666-00			2	SCREW,MACHINE:6-32 X 4.25,PNH,STL (END ATTACHING PARTS)	83486	ORDER BY DESCR
					HIGH VOLTAGE SHIELD ASSY INCLUDES:		
-19	342-0507-00			1	.INSULATOR,PLATE:HIGH VOLTAGE	80009	342-0507-00
-20	342-0094-00			1	.INSULATOR,PLATE:SHIELD,POLYESTER	80009	342-0094-00
-21	-----			1	CKT BOARD ASSY:MAIN MOTHER(SEE A28 REPL) (ATTACHING PARTS)		
-22	211-0601-00			14	SCR,ASSEM WSHR:6-32 X 0.312,PNH,BRS NP,POZ (END ATTACHING PARTS)	TK0435	ORDER BY DESCR
					CKT BOARD ASSY INCLUDES:		
-23	131-0608-00			75	.TERMINAL,PIN:0.365 L X 0.025 BRZ GLD PL	22526	48283-036
-24	131-0589-00			988	.TERMINAL,PIN:0.46 L X 0.025 SQ PH BRZ	22526	48283-029
-25	198-4398-00			1	.WIRE SET,ELEC: (SEE A68 REPL)	80009	198-4398-00
-26	200-2205-01			1	.COVER,ELEC SHLD:VR2 CIRCUIT BOARD (ATTACHING PARTS)	80009	200-2205-01
-27	211-0162-01			34	.SCREW,CAP:2-56 X 0.188,SCH,SST,HEX REC (END ATTACHING PARTS)	26233	ORDER BY DESCR
-28	342-0478-00			2	.INSULATOR,TERM:0.5 L,PLASTIC	80009	342-0478-00
-29	131-2364-00			3	.TERM,FEEDTHRU:U-SHP,0.462 L X 0.525 L	80009	131-2364-00
-30	-----			1	CKT BOARD ASSY:BAND LEVELING (SEE A68A3 REPL) (ATTACHING PARTS)		
-31	211-0007-01			4	.SCREW,MACHINE:4-40 X 0.188,PNH,STL	26233	ORDER BY DESCR
-32	211-0101-01			2	.SCREW,MACHINE:4-40 X 0.25,FLH,100 DEG,STL (END ATTACHING PARTS)	26233	ORDER BY DESCR
					CKT BOARD ASSY INCLUDES:		
-33	136-0263-04			5	..SOCKET,PIN TERM:U/W 0.025 SQ PIN	22526	75377-001
-34	214-2569-00			2	..HEAT SINK,XSTR:TO-5,CU BE	05820	260-4 TH5B
-35	-----			1	.CABLE ASSY,RF:(SEE W694 REPL)		
-36	131-0372-00			2	.CONN,RCPT,ELEC:CON-HEX,MALE	24931	32JR104-1
-37	-----			1	CKT BD ASSY:2ND FILTER SELECT (SEE A68A2 REPL) (ATTACHING PARTS)		
-38	211-0007-01			4	.SCREW,MACHINE:4-40 X 0.188,PNH,STL (END ATTACHING PARTS)	26233	ORDER BY DESCR
					CKT BOARD ASSY INCLUDES:		
-39	136-0263-04			8	..SOCKET,PIN TERM:U/W 0.025 SQ PIN	22526	75377-001
-40	131-0589-00			4	..TERMINAL,PIN:0.46 L X 0.025 SQ PH BRZ	22526	48283-029

Replaceable Mechanical Parts
492/492P Service Vol. 2 (8030000 & Up)

Fig. & Index No.	Tektronix Part No.	Serial/Assembly No.		Qty	12345 Name & Description	Mfr.	
		Effective	Discort			Code	Mfr. Part No.
3-41	346-0032-00			2	.STRAP,RETAINING:0.075 DIA X 4.0 L,MLD RBR	98159	2829-75-4
-42	-----			1	.CKT BOARD ASSY:POST VR AMPLIFIER (SEE A68A4 REPL) (ATTACHING PARTS)		
-43	211-0007-01			2	.SCREW,MACHINE:4-40 X 0.188,PNH,STL	26233	ORDER BY DESCR
-44	211-0101-01			1	.SCREW,MACHINE:4-40 X 0.25,FLH,100 DEG,STL (END ATTACHING PARTS) .CKT BOARD ASSY INCLUDES:	26233	ORDER BY DESCR
-45	136-0263-04			3	.SOCKET,PIN TERM:U/W 0.025 SQ PIN	22526	75377-001
-46	214-2569-00			1	.HEAT SINK,XSTR:TO-5,CU BE	05820	260-4 TH5B
-47	407-2137-00			1	.BRACKET,HOUSING:RIGHT,ALUMINUM (ATTACHING PARTS)	80009	407-2137-00
-48	211-0541-00			1	.SCREW,MACHINE:6-32 X 0.25,FLH,100 DEG,STL	TK0435	ORDER BY DESCR
-49	211-0504-00			1	.SCREW,MACHINE:6-32 X 0.250,PNH,STL (END ATTACHING PARTS)	TK0435	ORDER BY DESCR
-50	-----			1	.MICROCKT,LINEAR:(SEE U3041 REPL) (ATTACHING PARTS)		
-51	211-0503-00			1	.SCREW,MACHINE:6-32 X 0.188,PNH,STL (END ATTACHING PARTS)	TK0435	ORDER BY DESCR
-52	380-0546-01	B030000	B054894	1	.HOUSING,CKT BD:VR2,ALUMINUM	80009	380-0546-01
	380-0546-02	B054895	B055885	1	.HOUSING,CKT BD:VR2,ALUMINUM (ATTACHING PARTS)	80009	380-0546-02
	380-0546-03	B055886		1	.HOUSING,CKT BD:VR2,ALUMINUM	80009	380-0546-03
-53	211-0514-00			3	.SCREW,MACHINE:6-32 X 0.750,PNH,STL	TK0435	1541-300
-54	210-0006-00			3	.WASHER,LOCK:#6 INTL,0.018 THK,STL	77900	1206-00-00-0541C
-55	211-0180-00	B030000	B053869	12	.SCR,ASSEM WSHR:2-56 X 0.25,PNH,BRS,NP,POZ	TK0435	ORDER BY DESCR
	211-0341-00	B053870		12	.SCREW,MACHINE:2-56 X 0.188,STL (END ATTACHING PARTS)	83385	ORDER BY DESCR
-56	-----			1	.CKT BOARD ASSY:#2 VR MOTHER (SEE A68A1 REPL)		
-57	131-0787-00			12	.TERMINAL,PIN:0.64 L X 0.025 SQ PH BRZ	22526	47359-000
-58	131-2196-00			1	.CONN,RCPT,ELEC:CKT BD,6/12,FEMALE	00779	3-85927-6
-59	131-2167-00			1	.CONN,RCPT,ELEC:CKT BD,FEMALE,12/24	00779	85927-5
-60	361-0917-00			3	.SPACER,SLEEVE:0.25 L X 0.141 ID,ALUMINUM	80009	361-0917-00
-61	-----			1	.CKT BOARD ASSY:#1 VR MOTHER (SEE A68A5 REPL) (ATTACHING PARTS)		
-62	211-0180-00	B030000	B053869	18	.SCR,ASSEM WSHR:2-56 X 0.25,PNH,BRS,NP,POZ	TK0435	ORDER BY DESCR
	211-0341-00	B053870		18	.SCREW,MACHINE:2-56 X 0.188,STL (END ATTACHING PARTS) .CKT BOARD ASSY INCLUDES:	83385	ORDER BY DESCR
-63	131-0787-00			21	.TERMINAL,PIN:0.64 L X 0.025 SQ PH BRZ	22526	47359-000
-64	131-2167-00			1	.CONN,RCPT,ELEC:CKT BD,FEMALE,12/24	00779	85927-5
-65	407-2138-00			1	.BRACKET,HOUSING:LEFT,ALUMINUM (ATTACHING PARTS)	80009	407-2138-00
-66	211-0541-00			2	.SCREW,MACHINE:6-32 X 0.25,FLH,100 DEG,STL	TK0435	ORDER BY DESCR
-67	211-0510-00			1	.SCREW,MACHINE:6-32 X 0.375,PNH,STL (END ATTACHING PARTS)	83385	ORDER BY DESCR
-68	200-2206-01			1	.COVER,ELEC SHLD:VR1 CIRCUIT BOARD (ATTACHING PARTS)	80009	200-2206-01
-69	211-0162-01			19	.SCREW,CAP:2-56 X 0.188,SCH,SST,HEX REC	26233	ORDER BY DESCR
-70	211-0030-00			2	.SCREW,MACHINE:2-56 X 0.25,FLH,82 DEG,STL (END ATTACHING PARTS)	TK0435	ORDER BY DESCR
-71	131-2364-00			2	.TERM,FEEDTHRU:U-SHP,0.462 L X 0.525 L	80009	131-2364-00
-72	342-0478-00			3	.INSULATOR,TERM:0.5 L,PLASTIC	80009	342-0478-00
-73	-----			1	.CKT BOARD ASSY:20DB GAIN STEPS (SEE A68A9 REPL) (ATTACHING PARTS)		
-74	211-0007-01			4	.SCREW,MACHINE:4-40 X 0.188,PNH,STL (END ATTACHING PARTS) .CKT BOARD ASSY INCLUDES:	26233	ORDER BY DESCR
-75	136-0263-04			7	.SOCKET,PIN TERM:U/W 0.025 SQ PIN	22526	75377-001
-76	-----			1	.CKT BOARD ASSY:10DB GAIN STEPS (SEE A68A8 REPL) (ATTACHING PARTS)		
-77	211-0007-01			4	.SCREW,MACHINE:4-40 X 0.188,PNH,STL	26233	ORDER BY DESCR
-78	211-0008-01			2	.SCREW,MACHINE:4-40 X 0.25,PNH,STL (END ATTACHING PARTS)	26233	ORDER BY DESCR

Replaceable Mechanical Parts
492/492P Service Vol. 2 (B030000 & Up)

Fig. & Index No.	Tektronix Part No.	Serial/Assembly No. Effective Dscont	Qty	12345 Name & Description	Mfr. Code	Mfr. Part No.
3-				.CKT BOARD ASSY INCLUDES:		
-79	214-2569-00		2	..HEAT SINK,XSTR:TO-5,CU BE	05820	260-4 TH5B
-80	136-0263-04		8	..SOCKET,PIN TERM:U/W 0.025 SQ PIN	22526	75377-001
-81	-----		1	.CKT BD ASSY:1ST FILTER SELECT (SEE A68A7 REPL) (ATTACHING PARTS)		
-82	211-0007-01		4	.SCREW,MACHINE:4-40 X 0.188,PNH,STL (END ATTACHING PARTS)	26233	ORDER BY DESCR
-83	136-0263-04		10	.CKT BOARD ASSY INCLUDES: ..SOCKET,PIN TERM:U/W 0.025 SQ PIN	22526	75377-001
-84	346-0032-00		3	..STRAP,RETAINING:0.075 DIA X 4.0 L,MLD RBR	98159	2829-75-4
-85	131-0589-00		4	..TERMINAL,PIN:0.46 L X 0.025 SQ PH BRZ	22526	48283-029
-86	-----		1	.CKT BOARD ASSY:VR INPUT (SEE A68A6 REPL) (ATTACHING PARTS)		
-87	211-0007-01		4	.SCREW,MACHINE:4-40 X 0.188,PNH,STL	26233	ORDER BY DESCR
-88	211-0101-01		1	.SCREW,MACHINE:4-40 X 0.25,FLH,100 DEG,STL (END ATTACHING PARTS)	26233	ORDER BY DESCR
-89	214-0579-00		3	.CKT BOARD ASSY INCLUDES: ..TERM,TEST POINT:BRS CD PL	80009	214-0579-00
-90	136-0263-04		2	..SOCKET,PIN TERM:U/W 0.025 SQ PIN	22526	75377-001
-91	214-2569-00		1	..HEAT SINK,XSTR:TO-5,CU BE	05820	260-4 TH5B
-92	131-0372-00		1	.CONN,RCPT,ELEC:CON-HEX,MALE	24931	32JR104-1
-93	380-0547-01	B030000	1	.HOUSING,CKT BD:VR1,ALUMINUM	80009	380-0547-01
	380-0547-02	B054895	1	.HOUSING,CKT BD:VR1,ALUMINUM	80009	380-0547-02
	380-0547-03	B055886	1	.HOUSING,CKT BD:VR1,ALUMINUM	80009	380-0547-03

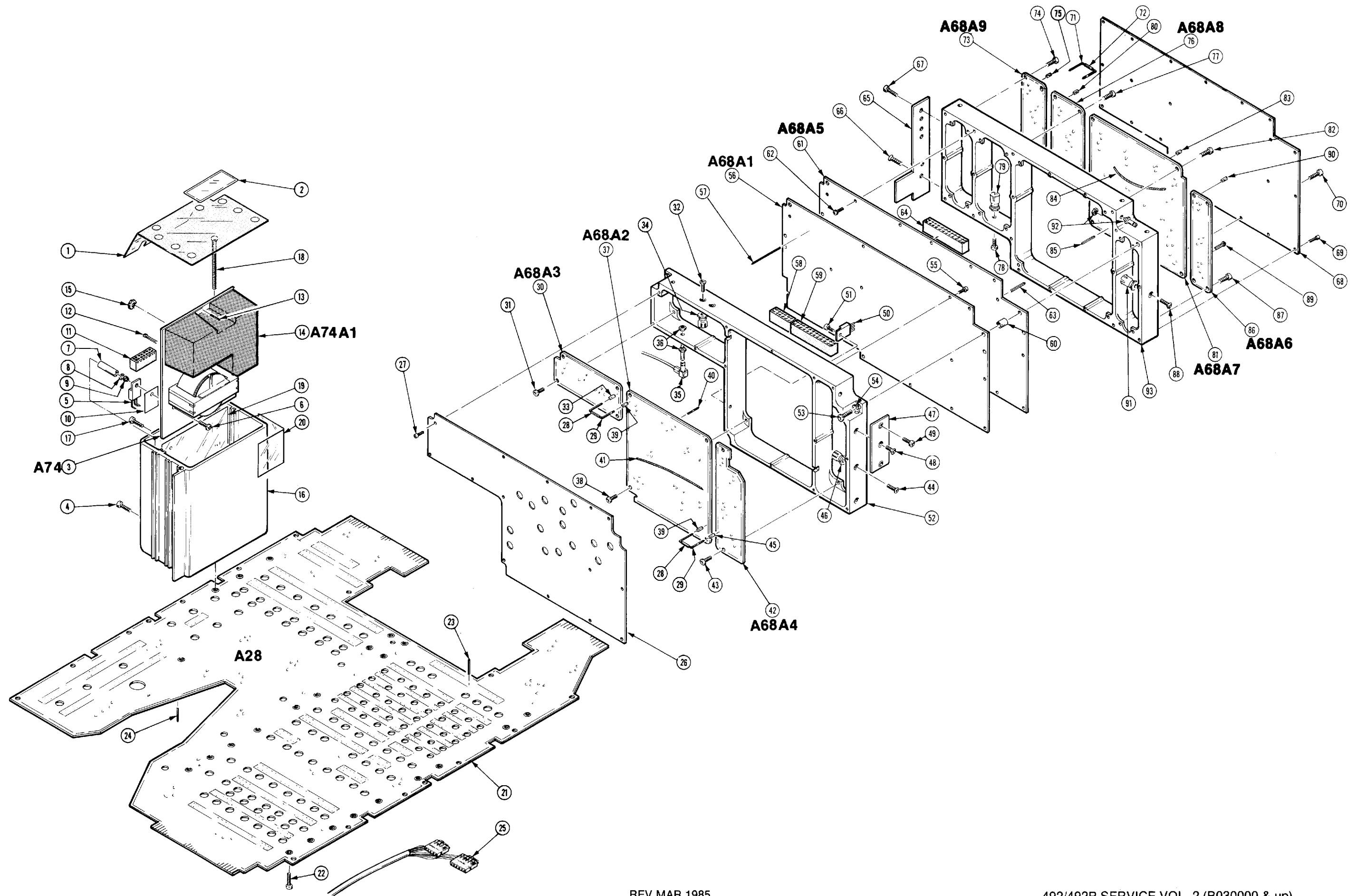


FIG. 3. VR MODULE & HV

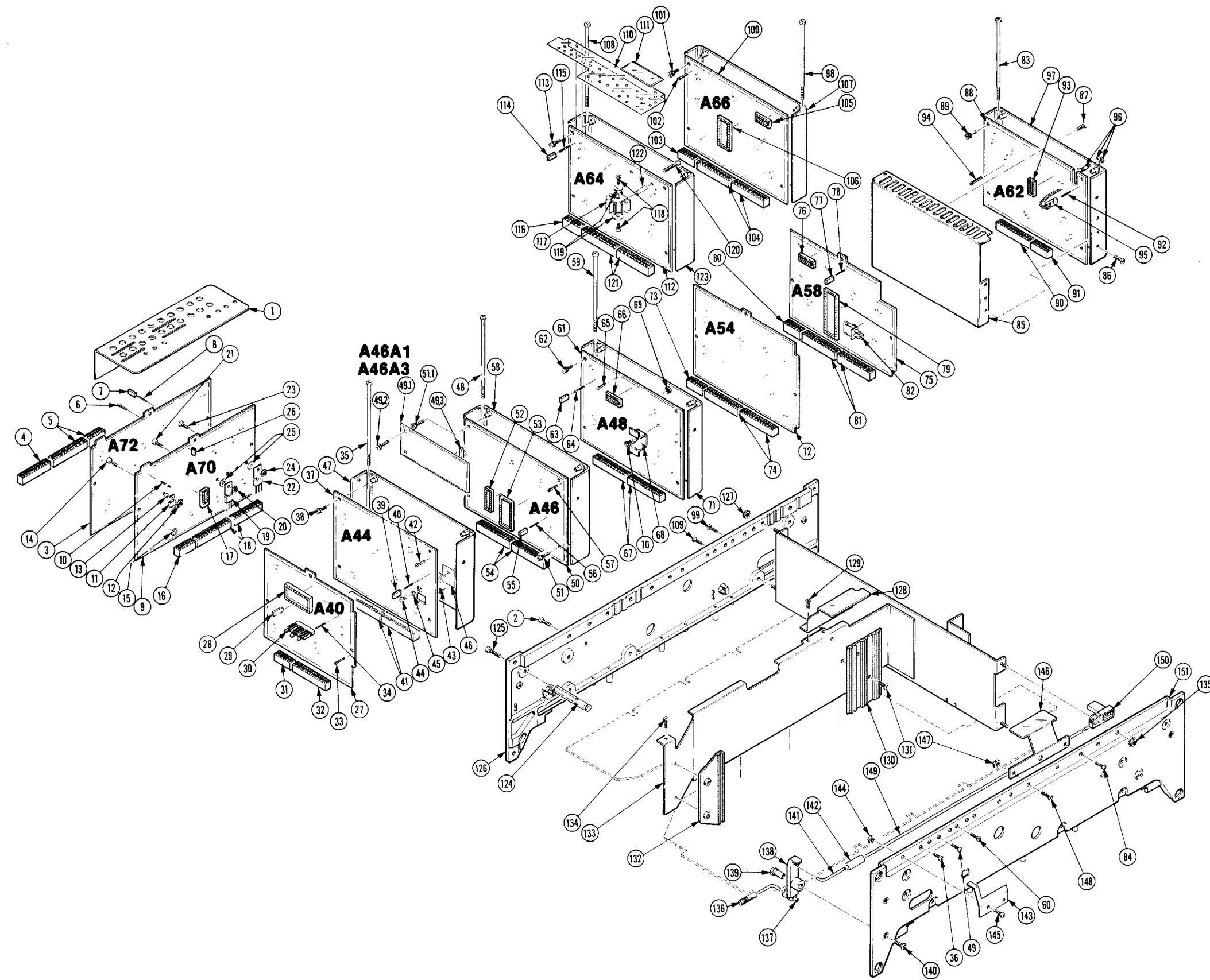


FIG. 4 FRAME & CRT BOARDS

Fig. & Index No.	Tektronix Part No.	Serial/Assembly No.		Qty	12345 Name & Description	Mfr.	
		Effective	Discnt			Code	Mfr. Part No.
4-1	407-2383-00			1	BRACKET,ANGLE:CIRCUIT BOARD,AL (ATTACHING PARTS)	80009	407-2383-00
-2	211-0507-00			2	SCREW,MACHINE:6-32 X 0.312,PNH,STL (END ATTACHING PARTS)	83385	ORDER BY DESCR
-3	-----			1	CKT BOARD ASSY:SWEEP(SEE A72 REPL)		
-4	131-2167-00			2	.CONN,RCPT,ELEC:CKT BD,FEMALE,12/24	00779	85927-5
-5	131-2196-00			1	.CONN,RCPT,ELEC:CKT BD,6/12,FEMALE	00779	3-85927-6
-6	214-0579-00			2	.TERM,TEST POINT:BRS CD PL	80009	214-0579-00
-7	131-0993-00			3	.BUS,CONDUCTOR:SHUNT ASSEMBLY,BLACK	22526	65474-005
-8	131-0608-00			6	.TERMINAL,PIN:0.365 L X 0.025 BRZ GLD PL	22526	48283-036
-9	-----			1	CKT BOARD ASSY:Z AXIS(SEE A70 REPL)		
-10	131-0608-00			14	.TERMINAL,PIN:0.365 L X 0.025 BRZ GLD PL	22526	48283-036
-11	-----			1	.TRANSISTOR:(SEE A70Q3024 REPL) (ATTACHING PARTS)		
-12	210-0586-00			1	.NUT,PL,ASSEM WA:4-40 X 0.25,STL CD PL	78189	211-041800-00
-13	210-1133-00			1	.WASHER,FLAT:0.142 ID X 0.25 OD X0.058,FBR	86928	ORDER BY DESCR
-14	211-0097-01			1	.SCREW,MACHINE:4-40 X 0.312,PNH,STL (END ATTACHING PARTS)	26233	ORDER BY DESCR
-15	386-1130-00			2	.INSULATOR,DISK:TRANSISTOR,NYLON	13103	7717-15N
-16	131-2196-00			1	.CONN,RCPT,ELEC:CKT BD,6/12,FEMALE	00779	3-85927-6
-17	136-0260-02	B030000	B031329	3	.SKT,PL-IN ELEK:MICROCIRCUIT,16 DIP (492 ONLY)	09922	D1LB16P-108T
	136-0260-02	B030000	B031414	3	.SKT,PL-IN ELEK:MICROCIRCUIT,16 DIP (492P ONLY)	09922	D1LB16P-108T
-18	131-2167-00			2	.CONN,RCPT,ELEC:CKT BD,FEMALE,12/24	00779	85927-5
-19	-----			1	.TRANSISTOR:(SEE A70Q4058 REPL) (ATTACHING PARTS)		
-20	210-0586-00			1	.NUT,PL,ASSEM WA:4-40 X 0.25,STL CD PL	78189	211-041800-00
-21	211-0097-01			1	.SCREW,MACHINE:4-40 X 0.312,PNH,STL (END ATTACHING PARTS)	26233	ORDER BY DESCR
-22	-----			1	.TRANSISTOR:(SEE A70Q4059 REPL) (ATTACHING PARTS)		
-23	211-0097-01			1	.SCREW,MACHINE:4-40 X 0.312,PNH,STL	26233	ORDER BY DESCR
-24	210-0586-00			1	.NUT,PL,ASSEM WA:4-40 X 0.25,STL CD PL (END ATTACHING PARTS)	78189	211-041800-00
-25	210-1282-00			4	.WASHER,FLAT:0.13 ID X 0.375 OD X 0.06,STL	07707	S-BBUP-4
-26	136-0544-00			10	.JACK,TIP:U/W 0.08 DIA PIN,WHITE	74970	105-1101-001
-27	-----			1	CKT BOARD ASSY:VIDEO PROCESSOR (SEE A40 REPL)		
-28	136-0578-00	B030000	B031329	1	.SKT,PL-IN ELEK:MICROCIRCUIT,24 DIP,LOW PF (492 ONLY)	09922	D1LB24P-108
	136-0578-00	B030000	B031414	1	.SKT,PL-IN ELEK:MICROCIRCUIT,24 DIP,LOW PF (492P ONLY)	09922	D1LB24P-108
-29	131-0993-09			1	.BUS,CONDUCTOR:SHUNT ASSEMBLY,WHITE	00779	850100-1
-30	131-2053-00			1	.BUS,CONDUCTOR:3,26 AWG,1.5 L	TK1375	131-2053-00
-31	131-2167-00			1	.CONN,RCPT,ELEC:CKT BD,FEMALE,12/24	00779	85927-5
-32	131-2196-00			1	.CONN,RCPT,ELEC:CKT BD,6/12,FEMALE	00779	3-85927-6
-33	214-0579-00			11	.TERM,TEST POINT:BRS CD PL	80009	214-0579-00
-34	131-0608-00			11	.TERMINAL,PIN:0.365 L X 0.025 BRZ GLD PL	22526	48283-036
	346-0032-00	B050000		3	.STRAP,RETAINING:0.075 DIA X 4.0 L,MLD RBR	98159	2829-75-4
	672-0812-02	B030000	B054836	1	CIRCUIT BD ASSY:1ST LO DRIVER	80009	672-0812-02
	672-0812-03	B054837		1	CIRCUIT BD ASSY:1ST LO DRIVER (ATTACHING PARTS)	80009	672-0812-03
-35	210-0457-00			2	NUT,PL,ASSEM WA:6-32 X 0.312,STL CD PL	78189	511-061800-00
-36	211-0507-00			1	SCREW,MACHINE:6-32 X 0.312,PNH,STL (END ATTACHING PARTS)	83385	ORDER BY DESCR
-37	-----			1	CKT BOARD ASSY INCLUDES: .CKT BOARD ASSY:1ST LO DRIVER (SEE A44 REPL) (ATTACHING PARTS)		
-38	211-0116-00			4	.SCR,ASSEM WSHR:4-40 X 0.312,PNH,BRS,NP,POZ (END ATTACHING PARTS)	77900	ORDER BY DESCR
-39	131-0993-00			1	.BUS,CONDUCTOR:SHUNT ASSEMBLY,BLACK	22526	65474-005
-40	131-0608-00			2	.TERMINAL,PIN:0.365 L X 0.025 BRZ GLD PL	22526	48283-036
-41	131-2167-00			2	.CONN,RCPT,ELEC:CKT BD,FEMALE,12/24	00779	85927-5
-42	214-0579-00			4	.TERM,TEST POINT:BRS CD PL	80009	214-0579-00
-43	-----			1	.TRANSISTOR:(SEE Q3052 REPL)		

Replaceable Mechanical Parts
492/492P Service Vol. 2 (B030000 & Up)

Fig. & Index No.	Tektronix Part No.	Serial/Assembly No. Effective	Discont	Qty	12345 Name & Description	Mfr. Code	Mfr. Part No.
4-					.(ATTACHING PARTS)		
-44	211-0008-01			1	.SCREW,MACHINE:4-40 X 0.25,PNH,STL	26233	ORDER BY DESC
-45	210-1178-00			1	.WASHER,SHLDR: .(END ATTACHING PARTS)	13103	7721-7PPS
-46	342-0355-00			1	.INSULATOR,PLATE:TRANSISTOR,SILICONE RUBBER	55285	7403-09FR-51
-47	352-0512-00			1	.HOLDER,CKT BD:5.7 L,ALUMINUM	80009	352-0512-00
	672-0809-01	B030000	B042539	1	CIRCUIT BD ASSY:CENTER FREQ CONTROL	80009	672-0809-01
	672-0809-02	B042540	B042679	1	CIRCUIT BD ASSY:CENTER FREQ CONTROL	80009	672-0809-02
	672-0809-03	B042680	B055507	1	CIRCUIT BD ASSY:CENTER FREQ CONTROL	80009	672-0809-03
	672-0809-04	B055508		1	CIRCUIT BD ASSY:CENTER FREQ CONTROL (ATTACHING PARTS)	80009	672-0809-04
-48	211-0666-00			2	SCREW,MACHINE:6-32 X 4.25,PNH,STL	83486	ORDER BY DESC
-49	211-0507-00			1	SCREW,MACHINE:6-32 X 0.312,PNH,STL (END ATTACHING PARTS)	83385	ORDER BY DESC
-49.1	-----			2	CKT BOARD ASSY INCLUDES: .CIRCUIT BD ASSY:INTFC (SEE A46A1,A46A3 REPL) (ATTACHING PARTS)		
-49.2	211-0116-00	B042480	B055507	2	.SCR,ASSEM WSHR:4-40 X 0.312,PNH,BRS,NP,POZ (END OF ATTACHING PARTS) CKT BOARD ASSY INCLUDES:	77900	ORDER BY DESC
-49.3	124-0418-00	B042480	B055507	8	.TERMINAL STRIP:20 CONT,PLSTC BASE	55322	TS-112-G-A
-50	-----			1	CKT BOARD ASSY:CTR FREQ CONTROL (SEE A46 REPL) (ATTACHING PARTS)		
-51	211-0116-00	B030000	B042479	4	.SCR,ASSEM WSHR:4-40 X 0.312,PNH,BRS,NP,POZ	77900	ORDER BY DESC
	211-0116-00	B042480	B055507	2	.SCR,ASSEM WSHR:4-40 X 0.312,PNH,BRS,NP,POZ	77900	ORDER BY DESC
	211-0116-00	B055508		4	.SCR,ASSEM WSHR:4-40 X 0.312,PNH,BRS,NP,POZ	77900	ORDER BY DESC
-51.1	129-0299-00	B042480	B055507	2	.SPACER,POST:0.333 L,0.188 HEX,BRS (END OF ATTACHING PARTS) CKT BOARD ASSY INCLUDES:	80009	129-0299-00
-52	136-0578-00	B030000	B055507	4	.SKT,PL-IN ELEK:MICROCIRCUIT,24 DIP,LOW PF	09922	D1LB24P-108
-53	136-0634-00	B030000	B031329	1	.SKT,PL-IN ELEK:MICROCIRCUIT,20 DIP (492 ONLY)	09922	D1LB20P-108
	136-0634-00	B030000	B031414	1	.SKT,PL-IN ELEK:MICROCIRCUIT,20 DIP (492P ONLY)	09922	D1LB20P-108
-54	131-2167-00			2	.CONN,RCPT,ELEC:CKT BD,FEMALE,12/24	00779	85927-5
-55	131-0993-00	B030000	B055507	2	.BUS,CONDUCTOR:SHUNT ASSEMBLY,BLACK	22526	65474-005
-56	131-0608-00	B030000	B055507	4	.TERMINAL,PIN:0.365 L X 0.025 BRZ GLD PL	22526	48283-036
-57	214-0579-00	B030000	B055507	5	.TERM,TEST POINT:BRS CD PL	80009	214-0579-00
-58	352-0512-00			1	.HOLDER,CKT BD:5.7 L,ALUMINUM	80009	352-0512-00
	672-0811-00			1	CIRCUIT BD ASSY:SPAN ATTENUATOR (ATTACHING PARTS)	80009	672-0811-00
-59	211-0666-00			2	SCREW,MACHINE:6-32 X 4.25,PNH,STL	83486	ORDER BY DESC
-60	211-0507-00			1	SCREW,MACHINE:6-32 X 0.312,PNH,STL (END ATTACHING PARTS)	83385	ORDER BY DESC
-61	-----			1	CKT BOARD ASSY INCLUDES: .CKT BOARD ASSY:SPAN ATTENUATOR (SEE A48 REPL) (ATTACHING PARTS)		
-62	211-0116-00			4	.SCR,ASSEM WSHR:4-40 X 0.312,PNH,BRS,NP,POZ (END ATTACHING PARTS) CKT BOARD ASSY INCLUDES:	77900	ORDER BY DESC
-63	131-0993-00			1	.BUS,CONDUCTOR:SHUNT ASSEMBLY,BLACK	22526	65474-005
-64	131-0608-00			4	.TERMINAL,PIN:0.365 L X 0.025 BRZ GLD PL	22526	48283-036
-65	214-0579-00	B030000	B042479	2	.TERM,TEST POINT:BRS CD PL	80009	214-0579-00
-66	136-0260-02	B030000	B031329	1	.SKT,PL-IN ELEK:MICROCIRCUIT,16 DIP (492 ONLY)	09922	D1LB16P-108T
	136-0260-02	B030000	B031414	1	.SKT,PL-IN ELEK:MICROCIRCUIT,16 DIP (492P ONLY)	09922	D1LB16P-108T
-67	131-2167-00			2	.CONN,RCPT,ELEC:CKT BD,FEMALE,12/24	00779	85927-5
-68	214-1845-01			2	.HEAT SINK,XSTR:0.125 DIA HOLE,AL (ATTACHING PARTS)	80009	214-1845-01
-69	210-0586-00			2	.NUT,PL,ASSEM WA:4-40 X 0.25,STL CD PL	78189	211-041800-00
-70	211-0008-01			2	.SCREW,MACHINE:4-40 X 0.25,PNH,STL (END ATTACHING PARTS)	26233	ORDER BY DESC
-71	352-0512-00			1	.HOLDER,CKT BD:5.7 L,ALUMINUM	80009	352-0512-00
-72	-----			1	CKT BOARD ASSY:MEMORY(SEE A54 REPL)		

Fig. & Index No.	Tektronix Part No.	Serial/Assembly No.		Qty	12345 Name & Description	Mfr.	
		Effective	Discnt			Code	Mfr. Part No.
4-73	131-2196-00			1	.CONN,RCPT,ELEC:CKT BD,6/12,FEMALE	00779	3-85927-6
-74	131-2167-00			2	.CONN,RCPT,ELEC:CKT BD,FEMALE,12/24	00779	85927-5
	214-0579-00	B054820		1	.TERM,TEST POINT:BRS CD PL (492P OPTION 11 ONLY)	80009	214-0579-00
	346-0032-00	B054820		1	.STRAP,RETAINING:0.075 DIA X 4.0 L,MLD RBR (492P OPTION 11 ONLY)	98159	2829-75-4
-75	-----			1	CKT BOARD ASSY:PROCESSOR(SEE A58 REPL)		
-76	136-0260-02	B030000	B031329	1	.SKT,PL-IN ELEK:MICROCIRCUIT,16 DIP (492 ONLY)	09922	DILB16P-108T
	136-0260-02	B030000	B031414	1	.SKT,PL-IN ELEK:MICROCIRCUIT,16 DIP (492P ONLY)	09922	DILB16P-108T
-77	131-0993-00			2	.BUS,CONDUCTOR:SHUNT ASSEMBLY,BLACK	22526	65474-005
-78	131-0608-00			5	.TERMINAL,PIN:0.365 L X 0.025 BRZ GLD PL	22526	48283-036
-79	136-0623-00	B030000	B031329	2	.SKT,PL-IN ELEK:CMPT,40 DIP,LOW PROFILE (492 ONLY)	09922	DILB40P-108
	136-0623-00	B030000	B031414	2	.SKT,PL-IN ELEK:CMPT,40 DIP,LOW PROFILE (492P ONLY)	09922	DILB40P-108
-80	131-2196-00			1	.CONN,RCPT,ELEC:CKT BD,6/12,FEMALE	00779	3-85927-6
-81	131-2167-00			2	.CONN,RCPT,ELEC:CKT BD,FEMALE,12/24	00779	85927-5
-82	136-0208-00			1	.SKT,PL-IN ELEK:CRYSTAL,2 CONTAC W/CLIP	91506	8004-165
	672-0810-00	B030000	B043329	1	CIRCUIT BD ASSY:LOG AMPL	80009	672-0810-00
	672-0810-01	B043380	B055876	1	CIRCUIT BD ASSY:LOG AMP	80009	672-0810-01
	672-0810-02	B055877		1	CIRCUIT BD ASSY:LOG AMP (ATTACHING PARTS)	80009	672-0810-02
-83	211-0666-00			2	SCREW,MACHINE:6-32 X 4.25,PNH,STL	83486	ORDER BY DESCR
-84	211-0507-00			1	SCREW,MACHINE:6-32 X 0.312,PNH,STL (END ATTACHING PARTS) CKT BOARD ASSY INCLUDES:	83385	ORDER BY DESCR
-85	337-2803-00			1	.SHIELD,ELEC:CIRCUIT BOARD (ATTACHING PARTS)	80009	337-2803-00
-86	211-0105-01			6	.SCREW,MACHINE:4-40 X 0.188,FLH,100 DEG,STL	26233	ORDER BY DESCR
-87	211-0005-00			3	.SCREW,MACHINE:4-40 X 0.125,PNH,STL (END ATTACHING PARTS)	86060	ORDER BY DESCR
-88	-----			1	.CKT BOARD ASSY:LOG AMPLIFIER (SEE A62 REPL) (ATTACHING PARTS)		
-89	211-0116-00			4	.SCR,ASSEM WSHR:4-40 X 0.312,PNH,BRS,NP,POZ (END ATTACHING PARTS) CKT BOARD ASSY INCLUDES:	77900	ORDER BY DESCR
-90	131-2167-00			1	.CONN,RCPT,ELEC:CKT BD,FEMALE,12/24	00779	85927-5
-91	131-2196-00			1	.CONN,RCPT,ELEC:CKT BD,6/12,FEMALE	00779	3-85927-6
-92	131-0608-00			6	.TERMINAL,PIN:0.365 L X 0.025 BRZ GLD PL	22526	48283-036
-93	136-0260-02	B030000	B031329	1	.SKT,PL-IN ELEK:MICROCIRCUIT,16 DIP (492 ONLY)	09922	DILB16P-108T
	136-0260-02	B030000	B031414	1	.SKT,PL-IN ELEK:MICROCIRCUIT,16 DIP (492P ONLY)	09922	DILB16P-108T
-94	214-0579-00			2	.TERM,TEST POINT:BRS CD PL	80009	214-0579-00
-95	198-4209-00			1	.WIRE SET,ELEC:	TK1375	198-4209-00
	352-0169-00			1	.HLDR,TERM CONN:2 WIRE,BLACK	80009	352-0169-00
	352-0169-02			1	.HLDR,TERM CONN:2 WIRE,RED	80009	352-0169-02
-96	131-0372-00			2	.CONN,RCPT,ELEC:CON-HEX,MALE	24931	32JR104-1
-97	352-0512-01			1	.HOLDER,CKT BD:5.7 L,ALUMINUM	80009	352-0512-01
	672-0808-00			1	CIRCUIT BD ASSY:CRT READOUT (ATTACHING PARTS)	80009	672-0808-00
-98	211-0666-00			2	SCREW,MACHINE:6-32 X 4.25,PNH,STL	83486	ORDER BY DESCR
-99	211-0507-00			1	SCREW,MACHINE:6-32 X 0.312,PNH,STL (END ATTACHING PARTS) CKT BOARD ASSY INCLUDES:	83385	ORDER BY DESCR
-100	-----			1	.CKT BOARD ASSY:CRT READOUT(SEE A66 REPL) (ATTACHING PARTS)		
-101	211-0116-00			4	.SCR,ASSEM WSHR:4-40 X 0.312,PNH,BRS,NP,POZ (END ATTACHING PARTS) CKT BOARD ASSY INCLUDES:	77900	ORDER BY DESCR
-102	214-0579-00			3	.TERM,TEST POINT:BRS CD PL	80009	214-0579-00
-103	131-2196-00			1	.CONN,RCPT,ELEC:CKT BD,6/12,FEMALE	00779	3-85927-6
-104	131-2167-00			2	.CONN,RCPT,ELEC:CKT BD,FEMALE,12/24	00779	85927-5
-105	136-0260-02	B030000	B031329	1	.SKT,PL-IN ELEK:MICROCIRCUIT,16 DIP (492 ONLY)	09922	DILB16P-108T

Replaceable Mechanical Parts
492/492P Service Vol. 2 (B030000 & Up)

Fig. & Index No.	Tektronix Part No.	Serial/Assembly No.		Qty	12345 Name & Description	Mfr. Code	Mfr. Part No.
		Effective	Discnt				
4-	136-0260-02	B030000	B031414	1	. . SKT, PL-IN ELEK:MICROCIRCUIT,16 DIP .. (492P ONLY)	09922	DILB16P-108T
-106	136-0578-00	B030000	B031329	1	. . SKT, PL-IN ELEK:MICROCIRCUIT,24 DIP,LOW PF .. (492 ONLY)	09922	DILB24P-108
	136-0578-00	B030000	B031414	1	. . SKT, PL-IN ELEK:MICROCIRCUIT,24 DIP,LOW PF .. (492P ONLY)	09922	DILB24P-108
-107	352-0512-00			1	.HOLDER,CKT BD:5.7 L,ALUMINUM	80009	352-0512-00
	672-0813-00	B030000	B054643	1	CIRCUIT BD ASSY:DEFLECTION AMPLIFIER	80009	672-0813-00
	672-1133-00	B054644	B055803	1	CIRCUIT BD ASSY:DEFLECTION AMP	80009	672-1133-00
	672-1133-01	B055804	B056050	1	CIRCUIT BD ASSY:DEFLECTION AMP	80009	672-1133-01
	672-1133-02	B056051		1	CIRCUIT BD ASSY:DEFLECTION AMP (ATTACHING PARTS)	80009	672-1133-02
-108	211-0666-00			2	SCREW,MACHINE:6-32 X 4.25,PNH,STL	83486	ORDER BY DESCR
-109	211-0507-00			1	SCREW,MACHINE:6-32 X 0.312,PNH,STL (END ATTACHING PARTS) CKT BOARD ASSY INCLUDES:	83385	ORDER BY DESCR
-110	200-2238-00	B010100	B054643	1	.COVER,CKT BOARD:DEFLECTION AMPLIFIER	80009	200-2238-00
	200-2238-01	B054644		1	.COVER,CKT BD:DEFLECTION AMP	80009	200-2238-01
-111	334-2257-01			1	.MARKER,IDENT:MARKED CAUTION	80009	334-2257-01
-112	-----			1	.CKT BOARD ASSY:DEFLECTION AMP (SEE A64 REPL) (ATTACHING PARTS)		
-113	211-0116-00			4	.SCR,ASSEM WSHR:4-40 X 0.312,PNH,BRS,NP,POZ (END ATTACHING PARTS) CKT BOARD ASSY INCLUDES:	77900	ORDER BY DESCR
-114	131-0993-00			4	.BUS,CONDUCTOR:SHUNT ASSEMBLY,BLACK	22526	65474-005
-115	131-0608-00			14	.TERMINAL,PIN:0.365 L X 0.025 BRZ GLD PL	22526	48283-036
	214-0579-00	B030000	B054643	1	.TERM,TEST POINT:BRS CD PL	80009	214-0579-00
	337-3143-00	B054644		1	.SHIELD,ELEC:DEFLECTION AMP	80009	337-3143-00
-116	131-2196-00			1	.CONN,RCPT,ELEC:CKT BD,6/12,FEMALE	00779	3-85927-6
-117	214-2867-00	B030000	B054643	2	.HEAT SINK,XSTR:(2)TO-202,AL	80009	214-2867-00
	214-2867-02	B054644		2	.HEAT SINK,XSTR:(2)TO-202,AL (ATTACHING PARTS)	80009	214-2867-02
-118	211-0008-01	B030000	B054643	4	.SCREW,MACHINE:4-40 X 0.25,PNH,STL	26233	ORDER BY DESCR
	211-0001-00	B054644		4	.SCREW,MACHINE:2-56 X 0.25,PNH,STL	TK0435	ORDER BY DESCR
-119	210-1001-00	B030000	B054643	4	.WASHER,FLAT:0.119 ID X 0.375 OD X 0.021	12360	ORDER BY DESCR
	210-0850-00	B054644		4	.WASHER,FLAT:0.093 ID X 0.281 OD X 0.02,STL	12327	ORDER BY DESCR
-120	211-0017-00	B030000	B054643	2	.SCREW,MACHINE:4-40 X 0.75,PNH,STL	93907	ORDER BY DESCR
	211-0019-00	B054644		2	.SCREW,MACHINE:4-40 X 1.0,PNH,STL	TK0435	ORDER BY DESCR
	210-1171-00	B054644		2	.WASHER,SHLDR:0.12 ID X 0.143 OD X 0.07 D	00261	A7148516P2
	210-0921-00	B054644		2	INSULATOR,WSHR:0.141 ID X 0.5 OD (END ATTACHING PARTS)	08530	RM493X010MC
-121	131-2167-00			2	.CONN,RCPT,ELEC:CKT BD,FEMALE,12/24	00779	85927-5
-122	361-0564-00	B030000	B054643	2	.SPACER,SLEEVE:0.5 L X 0.133 ID,BRS	80009	361-0564-00
	361-0582-00	B054644		2	.SPACER,SLEEVE:0.7 L X 0.134 ID,ALUMINUM	80009	361-0582-00
-123	352-0512-00	B010100	B054643	1	.HOLDER,CKT BD:5.7 L,ALUMINUM	80009	352-0512-00
	352-0512-02	B054644		1	.HOLDER,CKT BD:5.7 L,ALUMINUM	80009	352-0512-02
-124	351-0559-01			1	GUIDE,CKT BOARD:UNFINISHED (ATTACHING PARTS)	80009	351-0559-01
-125	211-0507-00			1	SCREW,MACHINE:6-32 X 0.312,PNH,STL (END ATTACHING PARTS)	83385	ORDER BY DESCR
-126	426-1467-01	B030000	B055891	1	FRAME SECT,SA:SIDE	80009	426-1467-01
	426-1467-08	B055892		1	FR SECTION,SA:RAIL,FINISHED	80009	426-1467-08
-127	210-0457-00			2	NUT,PL,ASSEM WA:6-32 X 0.312,STL CD PL (END ATTACHING PARTS)	78189	511-061800-00
-128	407-2513-00			1	BRACKET,RING:CIRCUIT BOARD,CENTER (ATTACHING PARTS)	80009	407-2513-00
-129	211-0504-00			2	SCREW,MACHINE:6-32 X 0.250,PNH,STL (END ATTACHING PARTS)	TK0435	ORDER BY DESCR
-130	351-0577-00			1	GUIDE,CKT BOARD:AL,2.9 L (ATTACHING PARTS)	80009	351-0577-00
-131	211-0504-00			2	SCREW,MACHINE:6-32 X 0.250,PNH,STL (END ATTACHING PARTS)	TK0435	ORDER BY DESCR
-132	351-0561-00			1	GUIDE,CKT BOARD:BLACK POLYPROPYLENE	80009	351-0561-00
-133	426-1531-00			1	CHAS ASSY,INNER:SPECTRUM ANALYZER (ATTACHING PARTS)	80009	426-1531-00
-134	211-0507-00			1	SCREW,MACHINE:6-32 X 0.312,PNH,STL	83385	ORDER BY DESCR

Fig. & Index No.	Tektronix Part No.	Serial/Assembly No.		Qty	12345 Name & Description	Mfr. Code	Mfr. Part No.
		Effective	Discort				
4-135	210-0457-00			2	NUT, PL, ASSEM WA: 6-32 X 0.312, STL CD PL (END ATTACHING PARTS)	78189	511-061800-00
-136	366-1763-00			1	KNOB: GY, 0.3 OD X 0.81 H, W/SHAFT (ATTACHING PARTS)	80009	366-1763-00
-137	354-0163-00			1	RING, RETAINING: TYPE E EXT, U/O 0.125 ID SFT (END ATTACHING PARTS)	79136	5133-12ZD
-138	214-2924-01			1	LEVER, SWITCH: ACETAL (ATTACHING PARTS)	80009	214-2924-01
-139	377-0499-00			1	INSERT, SCR THD: 6-32 X 0.635 L, AL	80009	377-0499-00
-140	211-0512-00			1	SCREW, MACHINE: 6-32 X 0.5, FLH, 100 DEG, STL (END ATTACHING PARTS)	TK0435	ORDER BY DESCR
-141	384-1540-00			1	EXTENSION SHAFT: 1.87 L X 0.125 OD, AL	80009	384-1540-00
-142	376-0053-00			1	CPLG, SHAFT, RGD: 0.128 ID X 0.312 OD, AL	80009	376-0053-00
-143	407-2784-00			1	BRACKET, RTNG: CIRCUIT BOARD, AL (ATTACHING PARTS)	80009	407-2784-00
-144	210-0457-00			1	NUT, PL, ASSEM WA: 6-32 X 0.312, STL CD PL	78189	511-061800-00
-145	211-0510-00			1	SCREW, MACHINE: 6-32 X 0.375, PNH, STL (END ATTACHING PARTS)	83385	ORDER BY DESCR
-146	407-2514-00			1	BRACKET, RING: CIRCUIT BOARD, SIDE (ATTACHING PARTS)	80009	407-2514-00
-147	210-0457-00			1	NUT, PL, ASSEM WA: 6-32 X 0.312, STL CD PL	78189	511-061800-00
-148	211-0510-00			1	SCREW, MACHINE: 6-32 X 0.375, PNH, STL (END ATTACHING PARTS)	83385	ORDER BY DESCR
-149	384-1518-00			1	SHAFT, SWITCH: 12.35 L X 0.125 OD, ALUMINUM	80009	384-1518-00
-150	214-2772-01			1	ACTUATOR, SWITCH: POWER	80009	214-2772-01
-151	426-1467-01	B030000	B055891	1	FRAME SECT, SA: SIDE	80009	426-1467-01
	426-1467-08	B055892		1	FR SECTION, SA: RAIL, FINISHED	80009	426-1467-08

Replaceable Mechanical Parts
492/492P Service Vol. 2 (8030000 & Up)

Fig. & Index No.	Tektronix Part No.	Serial/Assembly No.		Qty	12345	Name & Description	Mfr.	
		Effective	Dscort				Code	Mfr. Part No.
5-1	346-0161-01			1		STRAP,RETAINING:1.54 L X 0.5 W,SST,W/BRKT (ATTACHING PARTS)	80009	346-0161-01
-2	211-0007-01			1		SCREW,MACHINE:4-40 X 0.188,PNH,STL	26233	ORDER BY DESCR
-3	210-0589-00			1		NUT,SLFLKG,HEX:4-40 X 0.246,STL CD PL	TK0409	CF22NM40
-4	211-0014-00			1		SCREW,MACHINE:4-40 X 0.5,PNH,STL (END ATTACHING PARTS)	TK0435	ORDER BY DESCR
-5	346-0162-01			1		STRAP,RETAINING:3.21 L X 0.5 W,SST,W/BRKT (ATTACHING PARTS)	80009	346-0162-01
-6	211-0007-01			1		SCREW,MACHINE:4-40 X 0.188,PNH,STL (END ATTACHING PARTS)	26233	ORDER BY DESCR
-7	-----			1		CA ASSY,SP,ELEC:(SEE W1037 REPL)		
	352-0165-00			1		.HLDR,TERM CONN:7 WIRE,BLACK	80009	352-0165-00
	352-0165-02			1		.HLDR,TERM CONN:7 WIRE,RED	80009	352-0165-02
	134-0153-00			2		.KEY,CONN PLZN:MINI LATCH HOUSING,PLASTIC	80009	134-0153-00
-8	-----			1		OSCILLATOR,RF:(SEE A16 REPL)		
-8.1	-----			1		.CKT BOARD ASSY:1ST LO INTFC (SEE A16A1 REPL)		
-8.2	131-0608-00			11		.TERMINAL,PIN:0.365 L X 0.025 BRZ GLD PL	22526	48283-036
	343-0549-00	B041489		1		.STRAP,TIEDOWN,E:0.091 W X 4.0 L,ZYTEL	06383	PLTIM
-9	361-0935-00			1		SPACER,OSC:ALUMINUM	80009	361-0935-00
-10	214-2769-00			1		HEAT SINK,OSC: (ATTACHING PARTS)	80009	214-2769-00
-11	211-0097-01			4		SCREW,MACHINE:4-40 X 0.312,PNH,STL (END ATTACHING PARTS)	26233	ORDER BY DESCR
-12	-----			1		CABLE ASSY,RF:(SEE W166 REPL)		
-13	-----			1		CABLE ASSY,RF:(SEE W130 REPL)		
-14	-----			1		CABLE ASSY,RF:(SEE W132 REPL)		
-15	-----			1		POWER DIV ASSY:(SEE A13 REPL) (ATTACHING PARTS)		
-16	211-0007-01			2		SCREW,MACHINE:4-40 X 0.188,PNH,STL (END ATTACHING PARTS)	26233	ORDER BY DESCR
-17	-----			1		CABLE ASSY,RF:(SEE W182,W320 REPL)		
-18	-----			1		CABLE ASSY,RF:(SEE W360 REPL)		
-19	-----			1		FILTER,BANDPASS:(SEE FL36 REPL) (ATTACHING PARTS)		
-20	211-0008-01			2		SCREW,MACHINE:4-40 X 0.25,PNH,STL (END ATTACHING PARTS)	26233	ORDER BY DESCR
-21	343-0013-00			1		CLAMP,LOOP:0.375 ID,PLASTIC (ATTACHING PARTS)	06915	E6 CLEAR
-22	210-0458-00			1		NUT,PL,ASSEM WA:8-32 X 0.344,STL CD PL	78189	511-081800-00
-23	210-0863-00			1		WSHR,LOOP CLAMP:0.187 ID U/W 0.5 W CLP (END ATTACHING PARTS)	95987	C191
-24	407-2353-00			1		BRACKET,ANGLE:LOW PASS FILTER,AL	80009	407-2353-00
-25	-----			1		CABLE ASSY,RF:(SEE W142 REPL)		
-26	-----			2		FILTER,LOW PASS:(SEE FL11,FL15 REPL)		
-27	-----			1		CABLE ASSY,RF:(SEE W150 REPL)		
-28	-----			1		DIR FILTER:(SEE FL16 REPL) (ATTACHING PARTS)		
-29	211-0008-01			2		SCREW,MACHINE:4-40 X 0.25,PNH,STL (END ATTACHING PARTS)	26233	ORDER BY DESCR
-30	-----			1		CABLE ASSY,RF:(SEE W160 REPL)		
-31	-----			1		CABLE ASSY,RF:(SEE W110 REPL)		
-32	-----			1		CABLE ASSY,RF:(SEE W100 REPL)		
-33	-----			1		CABLE ASSY,RF:(SEE W101 REPL)		
-34	-----			1		ATTENUATOR,VAR:(SEE AT10 REPL) (ATTACHING PARTS)		
-35	211-0008-01			2		SCREW,MACHINE:4-40 X 0.25,PNH,STL (END ATTACHING PARTS)	26233	ORDER BY DESCR
-36	-----			1		CABLE ASSY,RF:(SEE W348 REPL)		
-37	-----			1		CABLE ASSY,RF:(SEE W344 REPL) OSC/MIXER ASSY:(SEE A34 REPL) (ATTACHING PARTS)		
-38	211-0008-01			2		SCREW,MACHINE:4-40 X 0.25,PNH,STL (END ATTACHING PARTS)	26233	ORDER BY DESCR
						OSC/MIXER ASSY INCLUDES:		
-39	-----			1		.CKT BOARD ASSY:100MHZ L/O RGLTR (SEE A34A2 REPL)		
-40	-----			1		.MICROCIRCUIT,LI:(SEE U1020 REPL)		

Fig. & Index No.	Tektronix Part No.	Serial/Assembly No. Effective Dscort	Qty	12345 Name & Description	Mfr. Code	Mfr. Part No.
5-				.(ATTACHING PARTS)		
-41	210-0586-00		1	.NUT, PL, ASSEM WA: 4-40 X 0.25, STL CD PL	78189	211-041800-00
				.(END ATTACHING PARTS)		
-42	-----		1	.MICROCIRCUIT, LI: (SEE U2010 REPL)		
				.(ATTACHING PARTS)		
-43	210-0586-00		1	.NUT, PL, ASSEM WA: 4-40 X 0.25, STL CD PL	78189	211-041800-00
-44	210-0851-00		1	.WASHER, FLAT: 0.119 ID X 0.375 OD X 0.025, STL	12327	ORDER BY DESCR
-45	210-1002-00		1	.WASHER, FLAT: 0.125 ID X 0.25 OD X 0.022	86928	5714-147-20N
				.(END ATTACHING PARTS)		
-46	342-0355-00		1	.INSULATOR, PLATE: TRANSISTOR, SILICONE RUBBER	55285	7403-09FR-51
-47	175-2376-00		1	.CA ASSY, SP, ELEC: 2, 26 AWG, 5.5 L	80009	175-2376-00
	352-0163-00		1	..HLDR, TERM CONN: 5 WIRE, BLACK	80009	352-0163-00
-48	407-2166-00		1	.BRACKET, ANGLE: 110MHZ MIXER, ALUMINUM	80009	407-2166-00
-49	131-1972-00		2	..CONN, RCPT, ELEC: SNAP CATCH, MALE	98291	51-047-0239
-50	131-0938-00		4	.CONN, RCPT, ELEC: SMB, FEMALE	98291	051-043-0349
-51	-----		1	.CKT BOARD ASSY: 110 MIXER/OSC		
				.(SEE A34A1 REPL)		
				.(ATTACHING PARTS)		
-52	211-0008-01		2	.SCREW, MACHINE: 4-40 X 0.25, PNH, STL	26233	ORDER BY DESCR
				.(END ATTACHING PARTS)		
-53	129-0236-00		2	.SPACER, POST: 0.375 L, 0.187 HEX	06540	9726-A-0440
-54	255-0678-00		AR	.PLASTIC EXTR: GROMMET, BLACK	18565	ORDER BY DESCR
-55	337-2574-01		1	.SHIELD, ELEC: CIRCUIT BOARD	80009	337-2574-01
-56	-----		1	CABLE ASSY, RF: (SEE W162 REPL)		
-57	-----		1	DIPLEXER ASSY: (SEE A14 REPL)		
				(ATTACHING PARTS)		
-58	211-0008-01		2	SCREW, MACHINE: 4-40 X 0.25, PNH, STL	26233	ORDER BY DESCR
				(END ATTACHING PARTS)		
-59	-----		1	SEC CONV ASSY: (SEE A18 REPL)		
				(ATTACHING PARTS)		
-60	211-0008-01		4	SCREW, MACHINE: 4-40 X 0.25, PNH, STL	26233	ORDER BY DESCR
				(END ATTACHING PARTS)		
				SEC CONV ASSY INCLUDES:		
-61	-----		1	.CABLE ASSY, RF: (SEE W140 REPL)		
-62	175-2370-00		1	.CA ASSY, SP, ELEC: 3, 26 AWG, 5.5 L	80009	175-2370-00
	352-0162-00		1	..HLDR, TERM CONN: 4 WIRE, BLACK	80009	352-0162-00
-63	-----		1	CABLE ASSY, RF: (SEE W182, W320 REPL)		
-64	-----		1	CABLE ASSY, RF: (SEE W236 REPL)		
-65	-----		1	CABLE ASSY, RF: (SEE W232 REPL)		
				SEC CON ASSY: (SEE A23 REPL)		
				(ATTACHING PARTS)		
-66	211-0008-01		2	SCREW, MACHINE: 4-40 X 0.25, PNH, STL	26233	ORDER BY DESCR
-67	211-0545-00		3	SCREW, MACHINE: 6-32 X 1.250, TRH, STL	TK0435	ORDER BY DESCR
				(END ATTACHING PARTS)		
				SEC CON ASSY INCLUDES:		
-68	200-2333-01		1	.COVER, CONVERTER: 829MHZ, BOTTOM, AL	80009	200-2333-01
				.(ATTACHING PARTS)		
-69	211-0162-01		33	.SCREW, CAP: 2-56 X 0.188, SCH, SST, HEX REC	26233	ORDER BY DESCR
				.(END ATTACHING PARTS)		
-70	-----		1	.CKT BOARD ASSY: IF SWITCHING		
				.(SEE A23A6 REPL)		
				.(ATTACHING PARTS)		
-71	211-0162-01		5	.SCREW, CAP: 2-56 X 0.188, SCH, SST, HEX REC	26233	ORDER BY DESCR
-72	210-1008-00		5	.WASHER, FLAT: 0.09 ID X 0.188 OD X 0.02, BRS	12327	ORDER BY DESCR
				.(END ATTACHING PARTS)		
-73	-----		1	.CKT BOARD ASSY: 829MHZ, SEC, CONV		
				.(SEE A23A7 REPL)		
				.(ATTACHING PARTS)		
-74	211-0162-01		7	.SCREW, CAP: 2-56 X 0.188, SCH, SST, HEX REC	26233	ORDER BY DESCR
-75	210-1008-00		7	.WASHER, FLAT: 0.09 ID X 0.188 OD X 0.02, BRS	12327	ORDER BY DESCR
				.(END ATTACHING PARTS)		
				.CKT BOARD ASSY INCLUDES:		
-76	175-2462-00		2	..CABLE ASSY, RF: 50 OHM COAX, 2.3 L	80009	175-2462-00
-77	175-2463-00		2	..CABLE ASSY, RF: 50 OHM COAX, 1.97 L	80009	175-2463-00
	175-2421-00		1	.CABLE ASSY, RF: 50 OHM COAX, 0.395 L	80009	175-2421-00
-78	-----		1	.CKT BOARD ASSY: 829MHZ AMP		
				.(SEE A23A5 REPL)		
				.(ATTACHING PARTS)		

Replaceable Mechanical Parts
492/492P Service Vol. 2 (8030000 & Up)

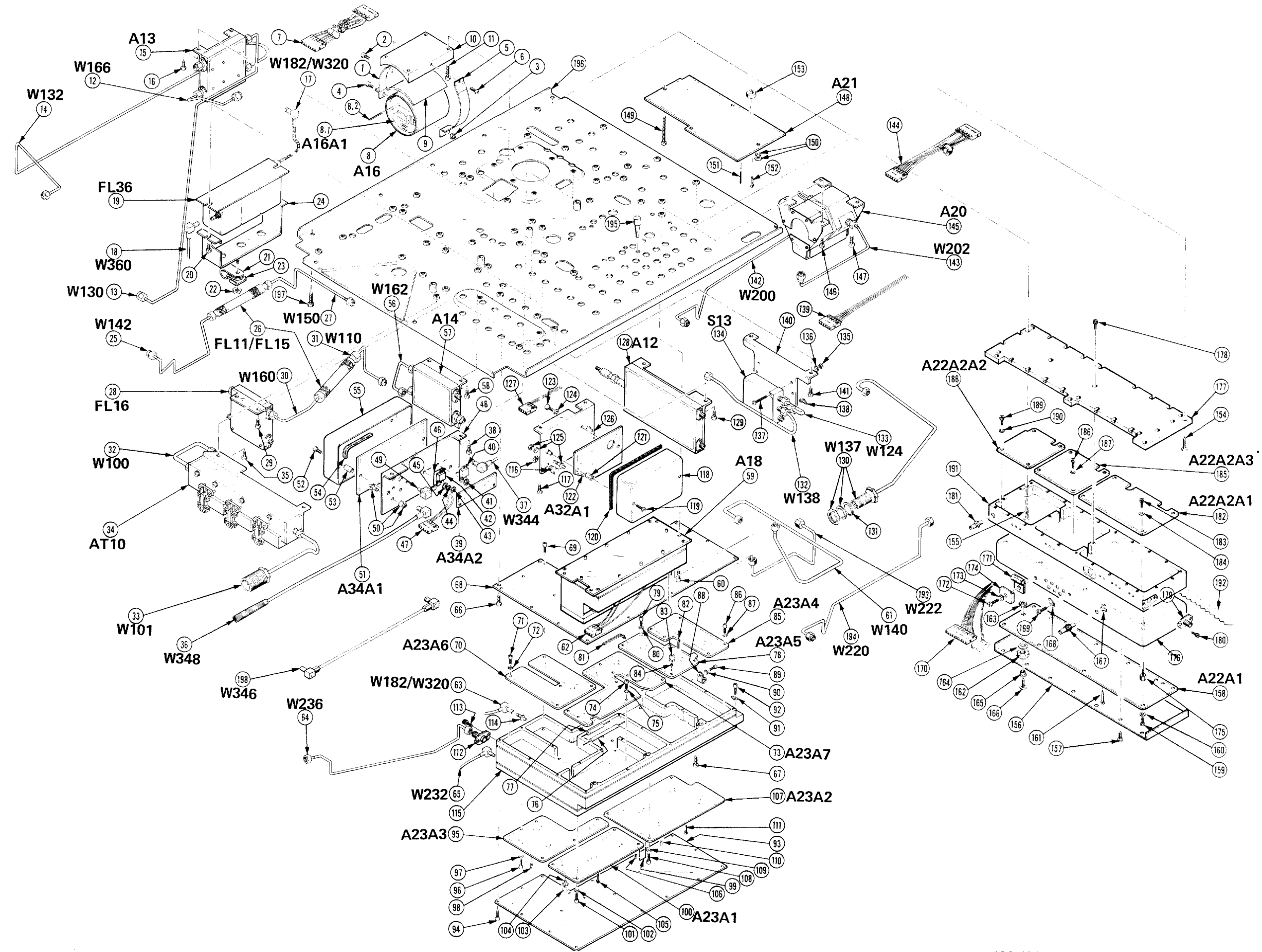
Fig. & Index No.	Tektronix Part No.	Serial/Assembly No. Effective Dscort	Qty	12345 Name & Description	Mfr. Code	Mfr. Part No.
5-79	211-0162-01		4	.SCREW,CAP:2-56 X 0.188,SCH,SST,HEX REC	26233	ORDER BY DESCR
-80	210-1008-00		4	.WASHER,FLAT:0.09 ID X 0.188 OD X 0.02,BRS (END ATTACHING PARTS) .CKT BOARD ASSY INCLUDES:	12327	ORDER BY DESCR
-81	175-2444-00		1	..CA ASSY,SP,ELEC:4,26 AWG,6.0 L	80009	175-2444-00
-82	214-0579-00		1	..TERM,TEST POINT:BRS CD PL	80009	214-0579-00
-83	131-1003-00		1	..CONN,RCPT,ELEC:CKT BD MT,3 PRONG	80009	131-1003-00
-84	136-0252-07		1	..SOCKET,PIN CONN:W/O DIMPLE	22526	75060-012
-85	-----		1	CKT BOARD ASSY:829MHX DIPLEXER (SEE A23A4 REPL) (ATTACHING PARTS)		
-86	211-0162-01		5	SCREW,CAP:2-56 X 0.188,SCH,SST,HEX REC	26233	ORDER BY DESCR
-87	210-1008-00		5	WASHER,FLAT:0.09 ID X 0.188 OD X 0.02,BRS (END ATTACHING PARTS)	12327	ORDER BY DESCR
-88	343-0144-00		1	.CLAMP,LOOP:0.125 ID,NYLON (ATTACHING PARTS)	TK1452	ORDER BY DESCR
-89	211-0200-01		1	.SCREW,CAP:4-40 X 0.25,SCH,SST,HEX REC	26233	ORDER BY DESCR
-90	210-0054-00		1	.WASHER,LOCK:#4 SPLIT,0.025 THK STL	78189	ORDER BY DESCR
	175-2900-00		1	..CA ASSY,SP,ELEC:6,26 AWG,7.0 L,RIBBON (END ATTACHING PARTS)	TK1375	175-2900-00
-91	210-0261-00		1	.TERMINAL,LUG:0.14 ID,PLAIN,BRASS (ATTACHING PARTS)	91260	ORDER BY DESCR
-92	211-0200-01		1	.SCREW,CAP:4-40 X 0.25,SCH,SST,HEX REC (END ATTACHING PARTS)	26233	ORDER BY DESCR
-93	200-2334-01		1	.COVER,CONVERTER:829MHZ,TOP,AL (ATTACHING PARTS)	80009	200-2334-01
-94	211-0162-01		39	.SCREW,CAP:2-56 X 0.188,SCH,SST,HEX REC (END ATTACHING PARTS)	26233	ORDER BY DESCR
-95	-----		1	.CKT BOARD ASSY:HARMONIC MIXER (SEE A23A3 REPL) (ATTACHING PARTS)		
-96	211-0162-01		5	.SCREW,CAP:2-56 X 0.188,SCH,SST,HEX REC	26233	ORDER BY DESCR
-97	210-1008-00		5	.WASHER,FLAT:0.09 ID X 0.188 OD X 0.02,BRS (END ATTACHING PARTS) .CKT BOARD ASSY INCLUDES:	12327	ORDER BY DESCR
-98	136-0263-04		2	..SOCKET,PIN TERM:U/W 0.025 SQ PIN	22526	75377-001
-99	131-1612-03		5	.TERM,FEEDTHRU:U-SHP,0.3 L X 0.35 L X 0.25	80009	131-1612-03
-100	-----		1	.CKT BOARD ASSY:OSC MIXER(SEE A23A1 REPL) (ATTACHING PARTS)		
-101	211-0162-01		4	.SCREW,CAP:2-56 X 0.188,SCH,SST,HEX REC	26233	ORDER BY DESCR
-102	210-1008-00		4	.WASHER,FLAT:0.09 ID X 0.188 OD X 0.02,BRS (END ATTACHING PARTS) .CKT BOARD ASSY INCLUDES:	12327	ORDER BY DESCR
-103	131-1003-00		1	..CONN,RCPT,ELEC:CKT BD MT,3 PRONG	80009	131-1003-00
-104	136-0252-07		1	..SOCKET,PIN CONN:W/O DIMPLE	22526	75060-012
-105	214-0579-00		1	..TERM,TEST POINT:BRS CD PL	80009	214-0579-00
-106	136-0263-04		4	..SOCKET,PIN TERM:U/W 0.025 SQ PIN	22526	75377-001
	342-0202-00		1	.INSULATOR,PLATE:TRANSISTOR,MICA	91500	10-21-023-106
-107	-----		1	.CKT BOARD ASSY:25MHZ PHAZ LOCK (SEE A23A2 REPL) (ATTACHING PARTS)		
-108	211-0162-01		3	.SCREW,CAP:2-56 X 0.188,SCH,SST,HEX REC	26233	ORDER BY DESCR
-109	210-1008-00		3	.WASHER,FLAT:0.09 ID X 0.188 OD X 0.02,BRS (END ATTACHING PARTS) .CKT BOARD ASSY INCLUDES:	12327	ORDER BY DESCR
-110	136-0263-04		4	..SOCKET,PIN TERM:U/W 0.025 SQ PIN	22526	75377-001
-111	214-0579-00		2	..TERM,TEST POINT:BRS CD PL	80009	214-0579-00
-112	131-2017-00		3	.CONN,RCPT,ELEC:SMA,FEMALE,FLANGE MOUNT (ATTACHING PARTS)	24931	3JR152-1
-113	211-0261-01		6	.SCREW,CAP:2-56 X 0.125,HEX,SCH,SST (END ATTACHING PARTS)	26233	ORDER BY DESCR
-114	131-1170-00		3	.CONN,RCPT,ELEC:SNAP-ON,MALE	98291	051-045-0249
-115	380-0567-01		1	.HOUSING,CONV:SECOND,AL	54152	ORDER BY DESCR
-116	-----		3	TERM.,COAXIAL: (SEE P133,P144,P145,P164 REPL) (ATTACHING PARTS)		
	-----		1	FILTER,AMP:(SEE A32 REPL) (ATTACHING PARTS)		
-117	211-0008-01		2	SCREW,MACHINE:4-40 X 0.25,PNH,STL	26233	ORDER BY DESCR

Fig. & Index No.	Tektronix Part No.	Serial/Assembly No.		Qty	12345	Name & Description	Mfr.	
		Effective	Dscont				Code	Mfr. Part No.
5-						(END ATTACHING PARTS)		
						AMP FILTER ASSY INCLUDES:		
-118	337-2575-01			1		.SHIELD,ELEC:CIRCUIT BOARD	80009	337-2575-01
						.(ATTACHING PARTS)		
-119	211-0012-01			2		.SCREW,MACHINE:4-40 X 0.375,PNH,STL	26233	ORDER BY DESCR
						.(END ATTACHING PARTS)		
-120	255-0678-00			AR		.PLASTIC EXTR:GROMMET,BLACK	18565	ORDER BY DESCR
-121	129-0236-00			2		.SPACER,POST:0.375 L,0.187 HEX	06540	9726-A-0440
-122	-----			1		.CKT BOARD ASSY:110 IF AMP		
						.(SEE A32A1 REPL)		
						.(ATTACHING PARTS)		
-123	211-0007-01			1		.SCREW,MACHINE:4-40 X 0.188,PNH,STL	26233	ORDER BY DESCR
-124	210-1122-00			1		.WASHER,LOCK:0.12 ID,DISHED,0.025 THK,STL	86928	ORDER BY DESCR
						.(END ATTACHING PARTS)		
-125	131-0938-00			2		.CONN,RCPT,ELEC:SMB,FEMALE	98291	051-043-0349
-126	407-2148-00			1		.BRACKET,ANGLE:IF AMPLIFIER,ALUMINUM	80009	407-2148-00
-127	175-2369-00			1		.CA ASSY,SP,ELEC:2,26 AWG,5.0 L,RIBBON	80009	175-2369-00
	352-0162-00			1		..HLDR,TERM CONN:4 WIRE,BLACK	80009	352-0162-00
-128	-----			1		FIRST CONV:(SEE A12 REPL)		
						(ATTACHING PARTS)		
-129	211-0007-01			2		SCREW,MACHINE:4-40 X 0.188,PNH,STL	26233	ORDER BY DESCR
						(END ATTACHING PARTS)		
-130	-----			1		CABLE ASSY,RF:(SEE W137 REPL)		
-131	210-0845-00			1		WASHER,FLAT:0.5 ID X 0.625 OD X 0.02,STL	89663	634-R
-132	-----			1		CABLE ASSY,RF:(SEE W138 REPL)		
-133	-----			1		CABLE ASSY,RF:(SEE W124 REPL)		
-134	-----			1		LIMITER ASSY:(SEE S13 REPL)		
						(ATTACHING PARTS)		
-135	210-0405-00			2		NUT,PLAIN,HEX:2-56 X 0.188,BRS CD PL	73743	12157-50
-136	210-0001-00			1		WASHER,LOCK:#2 INTL,0.013 THK,STL	77900	1202-00-00-0541C
-137	211-0003-00			2		SCREW,MACHINE:2-56 X 0.875,PNH,STL	TK0435	ORDER BY DESCR
-138	210-0259-00			1		TERMINAL,LUG:0.099 ID,LOCKING,BRS CD PL	80009	210-0259-00
						(END ATTACHING PARTS)		
-139	175-3085-00			1		CA ASSY,SP,ELEC:4,26 AWG,4.5 L	80009	175-3085-00
-140	407-2390-00			1		BRACKET,ELEC SW:ALUMINUM	80009	407-2390-00
						(ATTACHING PARTS)		
-141	211-0008-00			2		SCREW,MACHINE:4-40 X 0.25,PNH,STL	93907	ORDER BY DESCR
						(END ATTACHING PARTS)		
-142	-----			1		CABLE ASSY,RF:(SEE W200 REPL)		
-143	-----			1		CABLE ASSY,RF:(SEE W202 REPL)		
-144	175-3080-00			1		CA ASSY,SP,ELEC:6,26 AWG,4.0 L	80009	175-3080-00
-145	-----			1		OSCILLATOR,RF:(SEE A20 REPL)		
						(ATTACHING PARTS)		
-146	211-0008-01	B030000	B039999	2		SCREW,MACHINE:4-40 X 0.25,PNH,STL	26233	ORDER BY DESCR
-147	211-0007-01	B030000	B039999	2		SCREW,MACHINE:4-40 X 0.188,PNH,STL	26233	ORDER BY DESCR
						(END ATTACHING PARTS)		
-148	-----			1		CKT BOARD ASSY:SHAPER/BIAS (SEE A21 REPL)		
						(ATTACHING PARTS)		
-149	211-0097-00	B030000	B039999	4		SCREW,MACHINE:4-40 X 0.312,PNH,STL	TK0435	ORDER BY DESCR
-150	210-1002-00	B030000	B039999	2		WASHER,FLAT:0.125 ID X 0.25 OD X 0.022	86928	5714-147-20N
						(END ATTACHING PARTS)		
						CKT BOARD ASSY INCLUDES:		
-151	131-0608-00	B030000	B039999	13		TERMINAL,PIN:0.365 L X 0.025 BRZ GLD PL	22526	48283-036
-152	214-0579-00	B030000	B039999	3		TERM,TEST POINT:BRS CD PL	80009	214-0579-00
-153	361-0122-00	B030000	B039999	4		SPACER,SLEEVE:0.125 L X 0.12 ID,BRS	80009	361-0122-00
						PH LOCK 2ND LO:(SEE A22 REPL)		
						(ATTACHING PARTS)		
-154	211-0012-01			4		SCREW,MACHINE:4-40 X 0.375,PNH,STL	26233	ORDER BY DESCR
-155	211-0628-00			1		SCREW,MACHINE:6-32 X 1.125,PNH,SST	83385	ORDER BY DESCR
						(END ATTACHING PARTS)		
						PHASE LOCK 2ND LO ASSY INCLUDES:		
-156	200-2611-00			1		.COVER,2ND LO:PHASELOCKED CONTROL,PERMALOY	80009	200-2611-00
						.(ATTACHING PARTS)		
-157	211-0005-00			14		.SCREW,MACHINE:4-40 X 0.125,PNH,STL	86060	ORDER BY DESCR
						.(END ATTACHING PARTS)		
-158	-----			1		.CKT BOARD ASSY:16-20HZ PHASE LOCK		
						.(SEE A22A1 REPL)		
-159	211-0196-00			8		.SCREW,MACHINE:4-40 X 0.188,SCH,STL	TK0428	ORDER BY DESCR

Replaceable Mechanical Parts
492/492P Service Vol. 2 (B030000 & Up)

Fig. & Index No.	Tektronix Part No.	Serial/Assembly No. Effective Dscnt	Qty	12345 Name & Description	Mfr. Code	Mfr. Part No.
5-160	210-1002-00		8	.WASHER,FLAT:0.125 ID X 0.25 OD X 0.022 .CKT BOARD ASSY INCLUDES:	86928	5714-147-20N
-161	214-0579-00		12	..TERM,TEST POINT:BRS CD PL	80009	214-0579-00
-162	-----		1	..TRANSFORMER,RF:(SEE T2092 REPL) ..(ATTACHING PARTS)		
-163	210-0586-00		1	..NUT,PL,ASSEM WA:4-40 X 0.25,STL CD PL	78189	211-041800-00
-164	210-0894-00		1	..WASHER,FLAT:0.19 ID X 0.438 OD X 0.031	09422	ORDER BY DESCR
-165	210-1171-00		1	..WASHER,SHLDR:0.12 ID X 0.143 OD X 0.07 D	00261	A7148516P2
-166	211-0036-00		1	..SCREW,MACHINE:4-40 X 0.5,BDGH,NYL ..(END ATTACHING PARTS)	26365	ORDER BY DESCR
-167	131-0372-00		1	..CONN,RCPT,ELEC:CON-HEX,MALE	24931	32JR104-1
-168	210-0261-00		1	..TERMINAL,LUG:0.14 ID,PLAIN,BRASS ..(ATTACHING PARTS)	91260	ORDER BY DESCR
-169	211-0005-00		1	..SCREW,MACHINE:4-40 X 0.125,PNH,STL ..(END ATTACHING PARTS)	86060	ORDER BY DESCR
-170	175-3952-00		1	.CA ASSY,SP,ELEC:9,26 AWG,7.5 L,RIBBON	TK1375	175-3952-00
	134-0153-00		2	..KEY,CONN PLZN:MINI LATCH HOUSING,PLASTIC	80009	134-0153-00
	352-0162-00		1	..HLDR,TERM CONN:4 WIRE,BLACK	80009	352-0162-00
	352-0168-00		1	..HLDR,TERM CONN:10 WIRE,BLACK	80009	352-0168-00
-171	343-0002-00		1	.CLAMP,LOOP:0.187 ID,PLASTIC ..(ATTACHING PARTS)	06915	E3 CLEAR ROUND
-172	211-0097-01		1	..SCREW,MACHINE:4-40 X 0.312,PNH,STL	26233	ORDER BY DESCR
-173	210-1002-00		1	..WASHER,FLAT:0.125 ID X 0.25 OD X 0.022	86928	5714-147-20N
-174	210-0863-00		1	..WSHR,LOOP CLAMP:0.187 ID U/W 0.5 W CLP ..(END ATTACHING PARTS)	95987	C191
-175	129-0889-00		8	..SPACER,POST:0.4 L,0.217 HEX	80009	129-0889-00
-176	380-0664-00		1	..HOUSING,2ND LO:PHASELOCKED CONTROL	80009	380-0664-00
	-----		1	..PH LOCK L.O. CONT:(SEE A22A2 REPL)		
-177	200-2610-00		1	..COVER,2ND LO:PHASELOCKED,AL ..(ATTACHING PARTS)	TK1566	ORDER BY DESCR
-178	211-0256-00		26	..SCREW,CAP:2-56 X 0.25,HEX SCH,SST ..(END ATTACHING PARTS)	83385	ORDER BY DESCR
-179	131-2017-00		2	..CONN,RCPT,ELEC:SMA,FEMALE,FLANGE MOUNT ..(ATTACHING PARTS)	24931	3JR152-1
-180	211-0261-01		4	..SCREW,CAP:2-56 X 0.125,HEX,SCH,SST ..(END ATTACHING PARTS)	26233	ORDER BY DESCR
-181	131-1170-00		1	..CONN,RCPT,ELEC:SNAP-ON,MALE	98291	051-045-0249
-182	-----		1	..CKT BOARD ASSY:2182MHZ MICROSTRIP OSC ..(SEE A22A2A1 REPL) ..(ATTACHING PARTS)		
-183	211-0162-01		6	..SCREW,CAP:2-56 X 0.188,SCH,SST,HEX REC	26233	ORDER BY DESCR
-184	210-1008-00		6	..WASHER,FLAT:0.09 ID X 0.188 OD X 0.02,BRS ..(END ATTACHING PARTS)	12327	ORDER BY DESCR
-185	-----		1	..CKT BOARD ASSY:2200MHZ REF MIXER ..(SEE A22A2A3 REPL) ..(ATTACHING PARTS)		
-186	211-0162-01		4	..SCREW,CAP:2-56 X 0.188,SCH,SST,HEX REC	26233	ORDER BY DESCR
-187	210-1008-00		4	..WASHER,FLAT:0.09 ID X 0.188 OD X 0.02,BRS ..(END ATTACHING PARTS)	12327	ORDER BY DESCR
-188	-----		1	..CKT BOARD ASSY:2200MHZ REF ..(SEE A22A2A2 REPL) ..(ATTACHING PARTS)		
-189	211-0162-01		4	..SCREW,CAP:2-56 X 0.188,SCH,SST,HEX REC	26233	ORDER BY DESCR
-190	210-1008-00		4	..WASHER,FLAT:0.09 ID X 0.188 OD X 0.02,BRS ..(END ATTACHING PARTS)	12327	ORDER BY DESCR
-191	380-0665-00		1	..HOUSING,2ND LO:PHASELOCKED,AL	TK1566	ORDER BY DESCR
-192	348-0750-01	B041540	2	..GASKET:PHASE LOCKED 2ND LO ..(492 ONLY)	80009	348-0750-01
	348-0750-01	B041725	2	..GASKET:PHASE LOCKED 2ND LO ..(492P ONLY)	80009	348-0750-01
-193	-----		1	(CABLE ASSY,RF:(SEE W222 REPL)		
-194	-----		1	(CABLE ASSY,RF:(SEE W220 REPL)		
-195	348-0089-00		7	BUMPER,PLASTIC:0.312 DIA X 0.855 L,BLACK	80009	348-0089-00
-196	441-1443-00	B030000	1	CHASSIS,SA:RADIO FREQUENCY COMPONENTS (492 ONLY)	80009	441-1443-00
	441-1443-01	B031170	1	CHASSIS,SA:RADIO FREQUENCY COMPONENTS (492 ONLY)	80009	441-1443-01
	441-1443-00	B011000	1	CHASSIS,SA:RADIO FREQUENCY COMPONENTS	80009	441-1443-00

Fig. & Index No.	Tektronix Part No.	Serial/Assembly No. Effective Dscont	Qty	12345	Name & Description	Mfr. Code	Mfr. Part No.
5-	441-1443-01	B011215	1		(492P ONLY) CHASSIS, SA: RADIO FREQUENCY COMPONENTS (492P ONLY) (ATTACHING PARTS)	80009	441-1443-01
-197	211-0507-00		7		SCREW, MACHINE: 6-32 X 0.312, PNH, STL (END ATTACHING PARTS)	83385	ORDER BY DESCR
-198	-----		1		CABLE ASSY, RF: (SEE W346 REPL)		



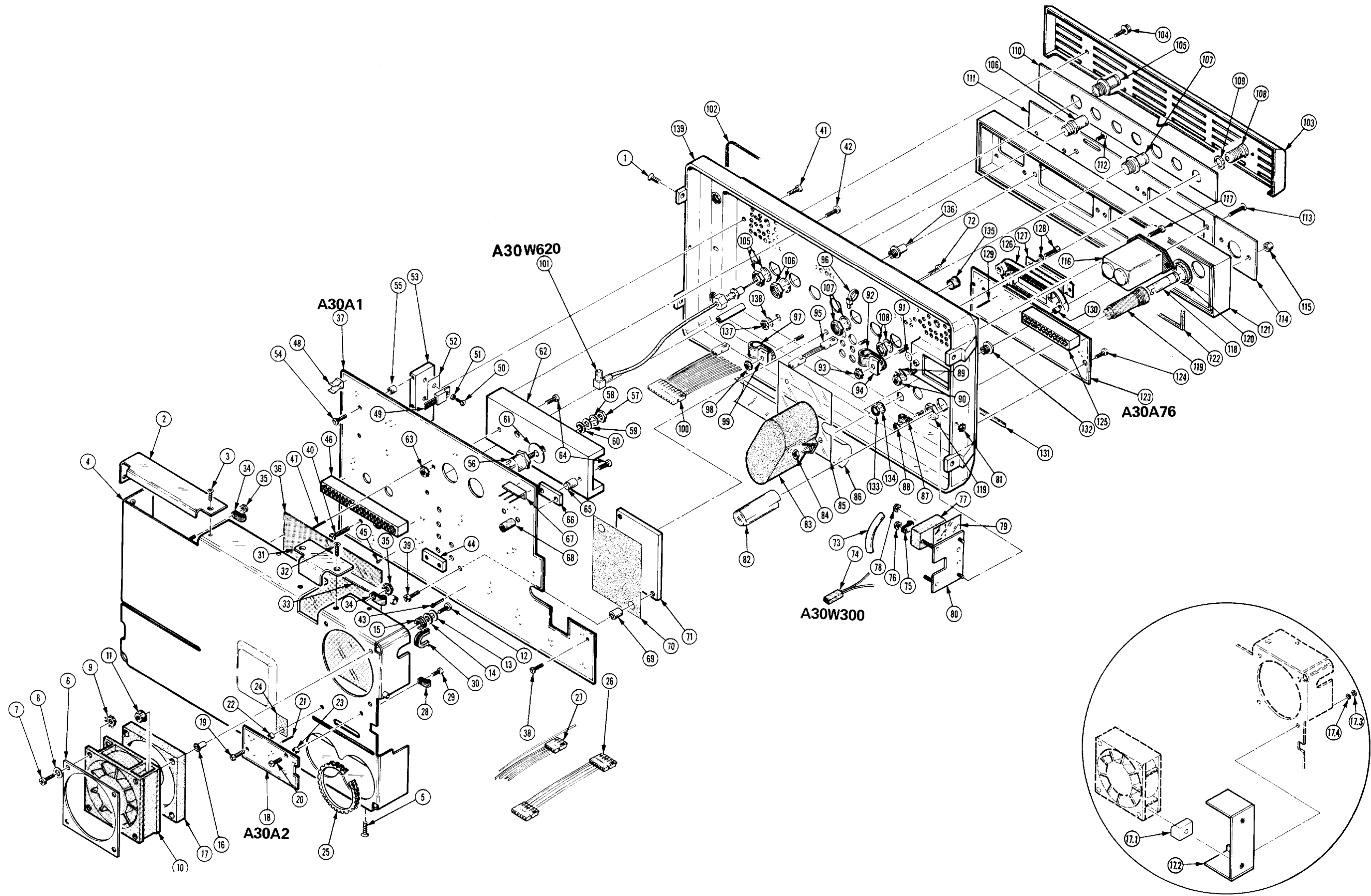


FIG. 6. POWER SUPPLY

REV MAY 1983

Fig. & Index No.	Tektronix Part No.	Serial/Assembly No. Effective Dscnt	Qty	12345 Name & Description	Mfr. Code	Mfr. Part No.
6-	-----		1	POWER SUPPLY:(SEE A30 REPL) (ATTACHING PARTS)		
-1	212-0650-00		4	SCREW,MACHINE:10-32 X 0.437,FLH,100 DEG,SST (END ATTACHING PARTS)	83486	ORDER BY DESCR
-2	200-2221-00		1	POWER SUPPLY INCLUDES: .COVER,ACCESS:REAR PANEL CONNECTORS,BOT (ATTACHING PARTS)	80009	200-2221-00
-3	211-0105-01		2	.SCREW,MACHINE:4-40 X 0.188,FLH,100 DEG,STL (END ATTACHING PARTS)	26233	ORDER BY DESCR
-4	337-2553-04	B030000	1	.SHIELD,ELEC:POWER SUPPLY	80009	337-2553-04
	337-2553-03	B042720	1	.SHIELD,ELEC:POWER SUPPLY (ATTACHING PARTS)	80009	337-2553-03
	337-2553-04	B058889	1	.SHIELD,ELEC:POWER SUPPLY	80009	337-2553-04
-5	211-0101-01	B030000	6	.SCREW,MACHINE:4-40 X 0.25,FLH,100 DEG,STL	26233	ORDER BY DESCR
	211-0101-00	B050000	6	.SCREW,MACHINE:4-40 X 0.25,FLH,100 DEG,STL (END ATTACHING PARTS)	TK0435	ORDER BY DESCR
-6	386-4595-00	B030000	2	.PLATE,FAN:2.6 SQ X 0.08,LEAD (ATTACHING PARTS)	80009	386-4595-00
-7	211-0097-01	B030000	4	.SCREW,MACHINE:4-40 X 0.312,PNH,STL	26233	ORDER BY DESCR
-8	210-0851-00	B030000	4	.WASHER,FLAT:0.119 ID X 0.375 OD X 0.025,STL	12327	ORDER BY DESCR
-9	210-0586-00	B030000	4	.NUT,PL,ASSEM WA:4-40 X 0.25,STL CD PL (END ATTACHING PARTS)	78189	211-041800-00
-10	-----		1	.FAN,TUBEAXIAL:(SEE A30B100 REPL) (ATTACHING PARTS)		
-11	220-0665-00	B030000	2	.NUT,SLFLKG,HEX:4-40 X 0.25 HEX,NYLON	23050	ORDER BY DESCR
-12	211-0016-00	B030000	2	.SCREW,MACHINE:4-40 X 0.625,PNH,STL	TK0435	ORDER BY DESCR
-13	210-0851-00	B030000	2	.WASHER,FLAT:0.119 ID X 0.375 OD X 0.025,STL	12327	ORDER BY DESCR
-14	210-1350-00	B030000	2	.WASHER,FLAT:0.149 ID X 0.38 OD (END ATTACHING PARTS)	86928	5613-19-62
-15	348-0093-00	B030000	2	.GROMMET,RUBBER:BLACK,ROUND,0.15 ID	70485	CM-6368-12002
-16	210-0774-01	B030000	2	.EYELET,METALLIC:0.152 OD X 0.218 L,BRASS	57771	ORDER BY DESCR
-17	361-1099-00	B030000	1	.SPACER,FAN:2.6 SQ X 0.125 THK,FOAM	80009	361-1099-00
-17.1	426-1920-00	B042720	4	.MOUNT,RESILIENT:FAN,SILICONE RUBBER	80009	426-1920-00
-17.2	407-2927-00	B042720	2	.BRACKET,COMPNT:FAN,ALUMINUM (ATTACHING PARTS)	80009	407-2927-00
-17.3	210-0406-00	B042720	4	.NUT,PLAIN,HEX:4-40 X 0.188,BRS CD PL	73743	12161-50
-17.4	210-0054-00		4	.WASHER,LOCK:#4 SPLIT,0.025 THK STL (END ATTACHING PARTS)	78189	ORDER BY DESCR
-18	-----		1	.CKT BOARD ASSY:FAN DRIVE(SEE A30A2 REPL) (ATTACHING PARTS)		
-19	211-0198-00		1	.SCREW,MACHINE:4-40 X 0.438,PNH,STL	TK0435	ORDER BY DESCR
-20	211-0012-01		1	.SCREW,MACHINE:4-40 X 0.375,PNH,STL (END ATTACHING PARTS)	26233	ORDER BY DESCR
-21	131-0608-00		9	.CKT BOARD ASSY INCLUDES: .. TERMINAL,PIN:0.365 L X 0.025 BRZ GLD PL	22526	48283-036
	131-0608-00	B055988	8	.. TERMINAL,PIN:0.365 L X 0.025 BRZ GLD PL .. (OPTION 30,31,32 ONLY)	22526	48283-036
-22	361-0552-00		1	.SPACER,SLEEVE:0.093 L X 0.126 ID,BRS	76854	3-5116-312
-23	361-0994-00		1	.SPACER,SLEEVE:0.195L X 0.116 ID,RYTON-R-4	80009	361-0994-00
-24	342-0354-00		2	.INSULATOR,PLATE:TRANSISTOR	55285	7403-09FR-52
-25	255-0334-00		2	.PLASTIC CHANNEL:12.75 X 0.175 X 0.155,NYLON	11897	122-37-2500
-26	175-3557-00		1	.CA ASSY,SP,ELEC:5,26 AWG,18.0 L,RIBBON	TK1375	175-3557-00
	352-0164-03		1	.HLDR,TERM CONN:6 WIRE,ORANGE	80009	352-0164-03
	352-0164-06		1	.HLDR,TERM CONN:6 WIRE,BLUE	80009	352-0164-06
-27	175-3159-00		1	.CA ASSY,SP,ELEC:4,26 AWG,6.0 L,RIBBON	TK1375	175-3159-00
	352-0162-04		1	.HLDR,TERM CONN:4 WIRE,YELLOW	80009	352-0162-04
-28	343-0144-00		1	.CLAMP,LOOP:0.125 ID,NYLON (ATTACHING PARTS)	TK1452	ORDER BY DESCR
-29	211-0008-01		1	.SCREW,MACHINE:4-40 X 0.25,PNH,STL (END ATTACHING PARTS)	26233	ORDER BY DESCR
-30	348-0171-00		1	.GROMMET,PLASTIC:BLACK,U-SHAPED,0.276 ID	80009	348-0171-00
-31	200-2512-00		1	.COVER,ACCESS:LINE VOLTAGE,AL (ATTACHING PARTS)	80009	200-2512-00
-32	211-0105-01		2	.SCREW,MACHINE:4-40 X 0.188,FLH,100 DEG,STL (END ATTACHING PARTS)	26233	ORDER BY DESCR
-33	162-0018-00		1	.INSUL SLVG,ELEC:0.208 ID,VINYL	96904	4004611X4NATVAR
-34	343-0144-00		1	.CLAMP,LOOP:0.125 ID,NYLON (ATTACHING PARTS)	TK1452	ORDER BY DESCR

Replaceable Mechanical Parts
492/492P Service Vol. 2 (B030000 & Up)

Fig. & Index No.	Tektronix Part No.	Serial/Assembly No. Effective	Discont	Qty	12345 Name & Description	Mfr. Code	Mfr. Part No.
6-35	210-0586-00			1	.NUT, PL, ASSEM WA:4-40 X 0.25, STL CD PL (END ATTACHING PARTS)	78189	211-041800-00
-36	342-0466-01			1	.INSULATOR, FILM: SHIELD, POLYESTER	80009	342-0466-01
-37	-----			1	.CKT BOARD ASSY: MAIN PWR SUPPLY (SEE A30A1 REPL) (ATTACHING PARTS)		
-38	211-0510-00			3	.SCREW, MACHINE: 6-32 X 0.375, PNH, STL	83385	ORDER BY DESCR
-39	211-0014-00			2	.SCREW, MACHINE: 4-40 X 0.5, PNH, STL	TK0435	ORDER BY DESCR
-40	211-0514-00			2	.SCREW, MACHINE: 6-32 X 0.750, PNH, STL	TK0435	1541-300
-41	211-0012-01			2	.SCREW, MACHINE: 4-40 X 0.375, PNH, STL	26233	ORDER BY DESCR
-42	211-0097-01			6	.SCREW, MACHINE: 4-40 X 0.312, PNH, STL (END ATTACHING PARTS) .CKT BOARD ASSY INCLUDES:	26233	ORDER BY DESCR
-43	214-0579-00			3	..TERM, TEST POINT: BRS CD PL	80009	214-0579-00
-44	214-2770-00			3	..HEAT SINK, DIODE: (2) DO-4, ALUMINUM	80009	214-2770-00
-45	136-0388-00			2	..SOCKET, PIN TERM: U/W 0.04 DIA PINS	71279	4503704010300
-46	131-2324-00			1	..CONN, RCPT, ELEC: CKT BD, 20/40 CONT, FEMALE	31781	307-040-526-300
-47	131-0608-00			17	..TERMINAL, PIN: 0.365 L X 0.025 BRZ GLD PL	22526	48283-036
-48	344-0326-00			10	..CLIP, ELECTRICAL: FUSE, BRASS	75915	102071
-49	-----			3	..TRANSISTOR: (SEE Q2021, Q2024, Q3022 REPL) (ATTACHING PARTS)		
-50	211-0007-01			3	..SCREW, MACHINE: 4-40 X 0.188, PNH, STL	26233	ORDER BY DESCR
-51	210-1171-00			3	..WASHER, SHLDR: 0.12 ID X 0.143 OD X 0.07 D (END ATTACHING PARTS)	00261	A7148516P2
-52	342-0354-00			3	..INSULATOR, PLATE: TRANSISTOR	55285	7403-09FR-52
-53	214-2863-00			1	..HEAT SINK, XSTR: 3, TO-220, AL (ATTACHING PARTS)	80009	214-2863-00
-54	211-0008-01	B030000	B043227	2	..SCREW, MACHINE: 4-40 X 0.25, PNH, STL (END ATTACHING PARTS)	26233	ORDER BY DESCR
-55	129-0236-00	B030000	B043226	2	..SPACER, POST: 0.375 L, 0.187 HEX	06540	9726-A-0440
	129-1002-00	B043227		2	..SPACER, POST: 0.485 L, 0.188 HEX	80009	129-1002-00
-56	-----			2	..TRANSISTOR: (SEE Q2061, Q2071 REPL) (ATTACHING PARTS)		
-57	210-0455-00			2	..NUT, PLAIN, HEX: 0.25-28 X 0.375, BRS NP	73743	3089-402
-58	210-0046-00			2	..WASHER, LOCK: 0.261 ID, INTL, 0.018 THK, STL	77900	1214-05-00-0541C
-59	210-1027-00			2	..WASHER, FLAT: 0.252 ID X 0.406 OD	80009	210-1027-00
-60	210-1355-00			2	..WASHER, SHLDR: 0.255 ID X 0.6 OD	80009	210-1355-00
-61	342-0517-00			2	..INSULATOR, WSHR: 0.26 ID X 1.0 OD X 0.005 (END ATTACHING PARTS)	13103	56-02-28
-62	214-2972-01	B030000	B042827	1	..HEAT SINK, XSTR: TO-61, AL	80009	214-2972-01
	214-2972-02	B042828		1	..HEAT SINK, XSTR: TO-61, AL (ATTACHING PARTS)	80009	214-2972-02
-63	210-0457-00			1	.NUT, PL, ASSEM WA: 6-32 X 0.312, STL CD PL	78189	511-061800-00
-64	211-0507-00			2	.SCREW, MACHINE: 6-32 X 0.312, PNH, STL (END ATTACHING PARTS)	83385	ORDER BY DESCR
-65	129-0575-00			2	..SPACER, POST: 0.312 L, 6-32, BRS, 0.312 OD	80009	129-0575-00
-66	361-0933-00			3	..SPACER, DIODE: 0.188 X 0.375 X 0.95, AL	80009	361-0933-00
-67	131-2250-00			1	..CONN, RCPT, ELEC: HEADER, 1 X 5 0.156 CTR	27264	09-61-1053
-68	385-0100-00			1	..SPACER, POST: 0.5 L W/6-32 THD THRU, NYLON	80009	385-0100-00
-69	361-0917-00			2	..SPACER, SLEEVE: 0.25 L X 0.141 ID, ALUMINUM	80009	361-0917-00
-70	342-0566-00			1	.INSULATOR, PLATE: HEAT SINK, SILICON RUBBER	18565	ORDER BY DESCR
-71	214-3269-00			1	.HEAT SINK, DIODE: (6) DO4, AL (ATTACHING PARTS)	80009	214-3269-00
-72	211-0012-01			2	.SCREW, MACHINE: 4-40 X 0.375, PNH, STL (END ATTACHING PARTS)	26233	ORDER BY DESCR
-73	162-0039-00			1	.INSUL SLVG, ELEC: 0.133 ID X 0.153 OD	56352	ORDER BY DESCR
-74	-----			1	.WIRE SET, ELEC: (SEE A30W300 REPL)		
-75	343-0144-00			2	.CLAMP, LOOP: 0.125 ID, NYLON (ATTACHING PARTS)	TK1452	ORDER BY DESCR
-76	210-0586-00			2	.NUT, PL, ASSEM WA: 4-40 X 0.25, STL CD PL (END ATTACHING PARTS)	78189	211-041800-00
-77	-----			2	.SWITCH, POWER: (SEE A30S200 REPL) (ATTACHING PARTS)		
-78	210-0586-00			2	.NUT, PL, ASSEM WA: 4-40 X 0.25, STL CD PL (END ATTACHING PARTS)	78189	211-041800-00
-79	342-0460-00			1	.INSULATOR, PLATE: POWER SWITCH, PLASTIC (ATTACHING PARTS)	80009	342-0460-00
-80	386-4102-00	B030000	B055572	1	.PLATE, MOUNTING: POWER SWITCH, ALUMINUM	80009	386-4102-00

Fig. & Index No.	Tektronix Part No.	Serial/Assembly No. Effective	Dscont	Qty	12345 Name & Description	Mfr. Code	Mfr. Part No.
6-	386-4102-01	B055573		1	.PLATE,MOUNTING:POWER SWITCH,ALUMINUM	80009	386-4102-01
-81	210-0586-00			2	.NUT,PL,ASSEM WA:4-40 X 0.25,STL CD PL (.END ATTACHING PARTS)	78189	211-041800-00
-82	200-0237-04			1	.COVER,FUHLR:PLASTIC	80009	200-0237-04
-83	-----			1	.FILTER,RFI:(SEE FL302 REPL) (.ATTACHING PARTS)		
-84	210-0586-00			2	.NUT,PL,ASSEM WA:4-40 X 0.25,STL CD PL	78189	211-041800-00
	210-0054-00	B030000	B042973	2	.WASHER,LOCK:#4 SPLIT,0.025 THK STL	78189	ORDER BY DESCR
	210-0004-00	B042974		2	.WASHER,LOCK:#4 INTL,0.015 THK,STL (.END ATTACHING PARTS)	77900	1204-00-00-0541C
-85	342-0570-00			1	.INSULATOR,FILM:TOROID ASSY,POLYIMIDE	80009	342-0570-00
-86	342-0439-00			1	.INSULATOR,PLATE:CIRCUIT BOARD,POLYESTER	80009	342-0439-00
-87	343-0144-00			1	.CLAMP,LOOP:0.125 ID,NYLON (.ATTACHING PARTS)	TK1452	ORDER BY DESCR
-88	210-0586-00			1	.NUT,PL,ASSEM WA:4-40 X 0.25,STL CD PL (.END ATTACHING PARTS)	78189	211-041800-00
-89	210-0202-00			1	.TERMINAL,LUG:0.146 ID,LOCKING,BRZ TIN PL (.ATTACHING PARTS)	86928	A-373-158-2
-90	210-0457-00			1	.NUT,PL,ASSEM WA:6-32 X 0.312,STL CD PL (.END ATTACHING PARTS)	78189	511-061800-00
-91	334-3379-00			1	.MARKER,IDENT:MARKED GROUND SYMBOL	07416	ORDER BY DESCR
-92	343-0004-00			1	.CLAMP,LOOP:0.312 ID,PLASTIC (.ATTACHING PARTS)	06915	E5 CLEAR ROUND
-93	210-0586-00			4	.NUT,PL,ASSEM WA:4-40 X 0.25,STL CD PL	78189	211-041800-00
-94	210-0863-00			4	.WSHR,LOOP CLAMP:0.187 ID U/W 0.5 W CLP (.END ATTACHING PARTS)	95987	C191
-95	175-2480-00			1	.CA ASSY,SP,ELEC:2,26 AWG,11.0 L,RIBBON	TK1375	175-2480-00
	352-0169-03			2	.HLDR,TERM CONN:2 WIRE,ORANGE	80009	352-0169-03
	343-0549-00			1	.STRAP,TIEDOWN,E:0.091 W X 4.0 L,ZYTEL	06383	PLT1M
-96	343-0549-00			1	.STRAP,TIEDOWN,E:0.091 W X 4.0 L,ZYTEL	06383	PLT1M
-97	343-0003-00			1	.CLAMP,LOOP:0.25 ID,PLASTIC (.ATTACHING PARTS)	06915	E4 CLEAR ROUND
-98	210-0586-00			1	.NUT,PL,ASSEM WA:4-40 X 0.25,STL CD PL	78189	211-041800-00
-99	210-0863-00			1	.WSHR,LOOP CLAMP:0.187 ID U/W 0.5 W CLP (.END ATTACHING PARTS)	95987	C191
-100	175-4131-00			1	.CA ASSY,SP,ELEC:10,26 AWG,13.0 L,RIBBON	TK1375	175-4131-00
	352-0169-02			1	.HLDR,TERM CONN:2 WIRE,RED	80009	352-0169-02
	352-0168-00			1	.HLDR,TERM CONN:10 WIRE,BLACK	80009	352-0168-00
-101	-----			1	.CABLE ASSY,RF:(SEE A30W620 REPL)		
-102	337-0925-05			1	.SHLD GSKT,ELEK:30.75 L	TK1375	ORDER BY DESCR
-103	378-0112-00			1	.GRILLE,PLASTIC: (.ATTACHING PARTS)	80009	378-0112-00
-104	211-0601-00			2	.SCR,ASSEM WSHR:6-32 X 0.312,PNH,BRS NP,POZ (.END ATTACHING PARTS)	TK0435	ORDER BY DESCR
-105	131-0390-00			1	.CONN,RCPT,ELEC:BNC,FEMALE	24931	28JS207-1
-106	131-0106-02			4	.CONN,RCPT,ELEC:BNC,FEMALE	24931	28JR178-1
-107	131-0274-00			1	.CONN,RCPT,ELEC:BNC,FEMALE	24931	28JR209-1 IP-23
-108	131-0771-00			1	.CONN,RCPT,ELEC:2 MALE,2 FEM,PNL MT W/O HDW	91836	1904-2M58
-109	361-1045-00			1	.SPACER,SLEEVE:0.125 X 0.368 ID,BRS	80009	361-1045-00
-110	333-2656-00			1	.PANEL,REAR:	80009	333-2656-00
-111	333-2647-01	B030000	B032509	1	.PANEL,REAR:	80009	333-2647-01
	333-2647-03	B032510		1	.PANEL,REAR: (.ATTACHING PARTS)	80009	333-2647-03
-112	211-0038-00			2	.SCREW,MACHINE:4-40 X 0.312,FLH,100 DEG,STL	TK0435	ORDER BY DESCR
-113	211-0086-00			2	.SCREW,MACHINE:4-40 X 0.75,FLH,100 DEG,STL (.END ATTACHING PARTS)	80009	211-0086-00
-114	386-3948-03			1	.PANEL,V SEL: (.ATTACHING PARTS)	80009	386-3948-03
-115	220-0601-00			2	.NUT,PLAIN,CAP:4-40 X 0.25 HEX,BRS NP (.END ATTACHING PARTS)	73743	93261-03
-116	-----			1	.FILTER,RFI:(SEE A30FL301 REPL) (.ATTACHING PARTS)		
-117	211-0012-01			2	.SCREW,MACHINE:4-40 X 0.375,PNH,STL (.END ATTACHING PARTS)	26233	ORDER BY DESCR
-118	200-2264-00			1	.CAP,FUSEHOLDER:3AG FUSES	S3629	FEK 031 1666
-119	204-0833-00			1	.BODY,FUSEHOLDER:3AG & 5 X 20MM FUSES	TK0861	031 1653 (FEU)
-120	348-0655-00			1	.SEAL,FUSE:	80009	348-0655-00
-121	380-0629-01			1	.HOUSING,REAR:CIRCUIT BOARD	80009	380-0629-01

Replaceable Mechanical Parts
492/492P Service Vol. 2 (B030000 & Up)

Fig. & Index No.	Tektronix Part No.	Serial/Assembly No. Effective Dscort	Qty	12345 Name & Description	Mfr. Code	Mfr. Part No.
6-122	354-0607-00		1	.PACKING, PREFMD: 7.315 ID X 0.062 OD X SECT	80009	354-0607-00
-123	-----		1	.CKT BOARD ASSY: ACCESS INTFC .(SEE A30A76 REPL) .(ATTACHING PARTS)		
-124	211-0116-00		2	.SCR, ASSEM WSHR: 4-40 X 0.312, PNH, BRS, NP, POZ .(END ATTACHING PARTS) .CKT BOARD ASSY INCLUDES:	77900	ORDER BY DESCR
-125	131-2323-00		1	..CONN, RCPT, ELEC: CKT BD, 12/24 CONT, FEMALE	31781	307-024-526-300
-126	348-0599-00		1	..SEAL, CONNECTOR: ACCESSORY BUS, VINYL	80009	348-0599-00
-127	131-1437-00		1	..CONN, RCPT, ELEC: D SER, 25 FEM CONT ..(ATTACHING PARTS)	71468	DB25S-F179
-128	131-0890-00		2	..LOCK, CONNECTOR: 4-40 X 0.312 L HEX HD, STL ..(END ATTACHING PARTS)	71468	D 20418-2
-129	131-0608-00		4	..TERMINAL, PIN: 0.365 L X 0.025 BRZ GLD PL	22526	48283-036
-130	361-1044-00		2	..SPACER, SLEEVE: 0.232 L X 0.125 ID, AL	80009	361-1044-00
-131	348-0477-00		1	..SEAL, RBR STRIP: 0.94 W X 0.062 THK X 28.0 L	85471	ORDER BY DESCR
-132	129-0815-00		2	..SPACER, POST: 0.23 L, 0.375 OD ..(ATTACHING PARTS)	80009	129-0815-00
-133	210-0583-00		2	..NUT, PLAIN, HEX: 0.25-32 X 0.312, BRS CD PL	73743	2X-20319-402
-134	210-0046-00		2	..WASHER, LOCK: 0.261 ID, INTL, 0.018 THK, STL ..(END ATTACHING PARTS)	77900	1214-05-00-0541C
-135	348-0056-00		2	..GROMMET, PLASTIC: GRAY, ROUND, 0.332 ID	80009	348-0056-00
-136	129-0815-01		2	..SPACER, POST: 0.24 L, 0.375 OD ..(ATTACHING PARTS)	80009	129-0815-01
-137	210-0583-00		2	..NUT, PLAIN, HEX: 0.25-32 X 0.312, BRS CD PL	73743	2X-20319-402
-138	210-0046-00		2	..WASHER, LOCK: 0.261 ID, INTL, 0.018 THK, STL ..(END ATTACHING PARTS)	77900	1214-05-00-0541C
-139	426-1466-03		1	..FRAME SECT, SA: REAR	80009	426-1466-03

Fig. & Index No.	Tektronix Part No.	Serial/Assembly No.		Qty	12345 Name & Description	Mfr.	
		Effective	Discnt			Code	Mfr. Part No.
7-	672-0815-01	B030000	B055767	1	CIRCUIT BD ASSY:PRESELECTOR DRIVER (OPTION 01 ONLY)	80009	672-0815-01
	672-0815-03	B055767		1	CIRCUIT BD ASSY:PRESELECTOR DRIVER (OPTION 01 ONLY)) (ATTACHING PARTS)	80009	672-0815-03
-1	211-0666-00			2	SCREW,MACHINE:6-32 X 4.25,PNH,STL (OPTION 01 ONLY)	83486	ORDER BY DESCR
-2	211-0507-00			1	SCREW,MACHINE:6-32 X 0.312,PNH,STL (OPTION 01 ONLY) (END ATTACHING PARTS)	83385	ORDER BY DESCR
-3	-----			1	CKT BOARD ASSY INCLUDES: .CKT BOARD ASSY:PRESELECTOR DRVR (SEE A42 REPL,OPTION 01 ONLY) (ATTACHING PARTS)		
-4	211-0116-00			4	.SCR,ASSEM WSHR:4-40 X 0.312,PNH,BRS,NP,POZ (OPTION 01 ONLY) (END ATTACHING PARTS)	77900	ORDER BY DESCR
-5	214-0579-00			5	..TERM,TEST POINT:BRS CD PL	80009	214-0579-00
-6	131-0993-00			4	..BUS,CONDUCTOR:SHUNT ASSEMBLY,BLACK (OPTION 01 ONLY)	22526	65474-005
-7	131-0608-00			10	..TERMINAL,PIN:0.365 L X 0.025 BRZ GLD PL (OPTION 01 ONLY)	22526	48283-036
-8	131-2167-00			2	..CONN,RCPT,ELEC:CKT BD,FEMALE,12/24 (OPTION 01 ONLY)	00779	85927-5
-9	-----			1	.TRANSISTOR:(SEE A42Q5065 REPL) (OPTION 01 ONLY) (ATTACHING PARTS)		
-10	211-0008-01			1	.SCREW,MACHINE:4-40 X 0.25,PNH,STL (OPTION 01 ONLY)	26233	ORDER BY DESCR
-11	210-1178-00			1	.WASHER,SHLDR: (OPTION 01 ONLY) (END ATTACHING PARTS)	13103	7721-7PPS
-12	342-0354-00			1	.INSULATOR,PLATE:TRANSISTOR (OPTION 01 ONLY)	55285	7403-09FR-52
-13	352-0513-00			1	.HOLDER,CKT BD:5.2 L,ALUMINUM (OPTION 01 ONLY)	80009	352-0513-00
	-----			1	PHASE LOCK ASSY:(SEE A50 REPL) (OPTION 03 ONLY) (ATTACHING PARTS)		
-14	211-0507-00			2	SCREW,MACHINE:6-32 X 0.312,PNH,STL (OPTION 03 ONLY) (END ATTACHING PARTS)	83385	ORDER BY DESCR
-15	200-2242-00			1	PHASE LOCK ASSY INCLUDES: .COV,PH LOCK SYN:FRONT (OPTION 03 ONLY) (ATTACHING PARTS)	80009	200-2242-00
-16	211-0087-01			12	.SCREW,MACHINE:2-56 X 0.188,FLH,82 DEG,STL (OPTION 03 ONLY) (END ATTACHING PARTS)	TK0435	ORDER BY DESCR
-17	-----			1	.CKT BOAD ASSY:CONTROLLED OSC (SEE A50A5 REPL,OPTION 03 ONLY) (ATTACHING PARTS)		
-18	211-0007-01			4	.SCREW,MACHINE:4-40 X 0.188,PNH,STL (OPTION 03 ONLY) (END ATTACHING PARTS)	26233	ORDER BY DESCR
-19	136-0263-04			4	CKT BOARD ASSY INCLUDES: ..SOCKET,PIN TERM:U/W 0.025 SQ PIN (OPTION 03 ONLY)	22526	75377-001
-20	-----			3	..TERM.,TEST PT:(SEE A50A5TP1021, ..A50A5TP2011,A50A5TP2035 REPL, (OPTION 03 ONLY)		
-21	131-0993-00			2	..BUS,CONDUCTOR:SHUNT ASSEMBLY,BLACK (OPTION 03 ONLY)	22526	65474-005
-22	131-0608-00			7	..TERMINAL,PIN:0.365 L X 0.025 BRZ GLD PL (OPTION 03 ONLY)	22526	48283-036
-23	131-1612-03			3	..TERM,FEEDTHRU:U-SHP,0.3 L X 0.35 L X 0.25	80009	131-1612-03
	131-1612-06			3	..TERM,FEEDTHRU:U-SHP,0.55 L X 0.25 SQ BRS	80009	131-1612-06

Replaceable Mechanical Parts
492/492P Service Vol. 2 (B030000 & Up)

Fig. & Index No.	Tektronix Part No.	Serial/Assembly No. Effective	Dscont	Qty	12345 Name & Description	Mfr. Code	Mfr. Part No.
7-					.(OPTION 03 ONLY)		
-24	-----			1	.CKT BOARD ASSY:OFFSET MIXER .(SEE A50A3 REPL,OPTION 03 ONLY) .(ATTACHING PARTS)		
-25	211-0007-01			4	.SCREW,MACHINE:4-40 X 0.188,PNH,STL .(OPTION 03 ONLY) .(END ATTACHING PARTS) .CKT BOARD ASSY INCLUDES:	26233	ORDER BY DESCR
-26	-----			2	..TERM.,TEST PT:(SEE A50A3TP1058, ..A50A3TP2012 REPL,OPTION 03 ONLY)		
-27	136-0263-04			6	..SOCKET,PIN TERM:U/W 0.025 SQ PIN ..(OPTION 03 ONLY)	22526	75377-001
-28	-----			1	.CKT BOARD ASSY:SYNTHESIZER .(SEE A50A1 REPL,OPTION 03 ONLY) .(ATTACHING PARTS)		
-29	211-0007-01			3	.SCREW,MACHINE:4-40 X 0.188,PNH,STL .(OPTION 03 ONLY) .(END ATTACHING PARTS) .CKT BOARD ASSY INCLUDES:	26233	ORDER BY DESCR
-30	214-0579-00			3	..TERM,TEST POINT:BRS CD PL ..(OPTION 03 ONLY)	80009	214-0579-00
-31	136-0263-04			6	..SOCKET,PIN TERM:U/W 0.025 SQ PIN ..(OPTION 03 ONLY)	22526	75377-001
-32	-----			1	.CABLE ASSY,RF:(SEE W350 REPL, .OPTION 03 ONLY)		
-33	-----			1	.CABLE ASSY,RF:(SEE W500 REPL, .OPTION 03 ONLY)		
-34	131-0156-01			2	.CONN,RCPT,ELEC:SNAP ON,MALE,MODIFIED .(OPTION 03 ONLY)	80009	131-0156-01
-35	334-3654-00			1	.PLATE,IDENT:MARKED 0 LOCK SYNTH,FRONT .(OPTION 03 ONLY)	80009	334-3654-00
-36	342-0474-00			20	.INSUL HALF,FEED:DELTRIN .(OPTION 03 ONLY)	80009	342-0474-00
-37	131-0593-00			1	.TERMINAL,PIN:1.15 L X 0.025 SQ BRS TIN PL .(OPTION 03 ONLY)	22526	47334
-38	407-2312-00			1	.BRACKET,SYNTHZR:PHASE LOCK,AL .(OPTION 03 ONLY) .(ATTACHING PARTS)	80009	407-2312-00
-39	211-0007-01			2	.SCREW,MACHINE:4-40 X 0.188,PNH,STL .(OPTION 03 ONLY) .(END ATTACHING PARTS)	26233	ORDER BY DESCR
-40	200-2243-00			1	.COV,PH LOCK SYN:REAR .(OPTION 03 ONLY) .(ATTACHING PARTS)	80009	200-2243-00
-41	211-0087-01			9	.SCREW,MACHINE:2-56 X 0.188,FLH,82 DEG,STL .(OPTION 03 ONLY) .(END ATTACHING PARTS)	TK0435	ORDER BY DESCR
-42	-----			1	.CKT BOARD ASSY:STROBE DRIVER .(SEE A50A2 REPL,OPTION 03 ONLY) .(ATTACHING PARTS)		
-43	211-0007-01			4	.SCREW,MACHINE:4-40 X 0.188,PNH,STL .(OPTION 03 ONLY) .(END ATTACHING PARTS) .CKT BOARD ASSY INCLUDES:	26233	ORDER BY DESCR
-44	214-0579-00			2	..TERM,TEST POINT:BRS CD PL ..(OPTION 03 ONLY)	80009	214-0579-00
-45	214-3039-00	B030000	B042639	1	..SPRING,GROUND:CU-BE ..(OPTION 03 ONLY)	80009	214-3039-00
-46	-----			1	..FILTER,BANDPASS:(SEE F2064 REPL, ..OPTION 03 ONLY) ..(ATTACHING PARTS)		
-47	211-0007-01			2	..SCREW,MACHINE:4-40 X 0.188,PNH,STL ..(OPTION 03 ONLY) ..(END ATTACHING PARTS)	26233	ORDER BY DESCR
-48	136-0263-04			4	..SOCKET,PIN TERM:U/W 0.025 SQ PIN ..(OPTION 03 ONLY)	22526	75377-001
-49	348-0737-00 131-0156-01	B042640		AR 2	..SHLD GSKT,ELEK:TAPE MESH,0.375 W .CONN,RCPT,ELEC:SNAP ON,MALE,MODIFIED	53217 80009	23-90110 131-0156-01

Fig. & Index No.	Tektronix Part No.	Serial/Assembly No. Effective	Discnt	Qty	12345 Name & Description	Mfr. Code	Mfr. Part No.
7-					.(OPTION 03 ONLY)		
-50	334-3652-00			1	.PLATE, IDENT:MARKED 0 LOCK SYNTH,REAR	80009	334-3652-00
					.(OPTION 03 ONLY)		
-51	337-2680-00	B030000	B055877	1	.SHIELD,ELEC:PHASE LOCK SYNTHESIZER,REAR	80009	337-2680-00
					.(OPTION 03 ONLY)		
	337-2680-03	B055878		1	.SHIELD,ELEC:PHASE LOCK SYNTHESIZER	80009	337-2680-03
					.(OPTION 03 ONLY)		
					.(ATTACHING PARTS)		
-52	211-0196-00			2	.SCREW,MACHINE:4-40 X 0.188,SCH,STL	TK0428	ORDER BY DESCR
					.(OPTION 03 ONLY)		
					.(END ATTACHING PARTS)		
-53	337-2566-01			1	.SHIELD,ELEC:PH LOCK SYNTHESIZER,FRONT	80009	337-2566-01
					.(OPTION 03 ONLY)		
-54	-----			1	.CKT BOARD ASSY:ERROR AMP(SEE A50A4 REPL,		
					.(OPTION 03 ONLY)		
					.(ATTACHING PARTS)		
-55	211-0007-01			3	.SCREW,MACHINE:4-40 X 0.188,PNH,STL	26233	ORDER BY DESCR
					.(OPTION 03 ONLY)		
					.(END ATTACHING PARTS)		
					.CKT BOARD ASSY INCLUDES:		
-56	-----			1	..MICROCIRCUIT,LI:(SEE A50A4U2075 REPL,		
					..OPTION 03 ONLY)		
					..(ATTACHING PARTS)		
-57	211-0008-01			1	..SCREW,MACHINE:4-40 X 0.25,PNH,STL	26233	ORDER BY DESCR
					..(OPTION 03 ONLY)		
					..(END ATTACHING PARTS)		
-58	131-2167-00			1	..CONN,RCPT,ELEC:CKT BD,FEMALE,12/24	00779	85927-5
					..(OPTION 03 ONLY)		
-59	214-0579-00			2	..TERM,TEST POINT:BRS CD PL	80009	214-0579-00
					..(OPTION 03 ONLY)		
-60	131-2196-00			1	..CONN,RCPT,ELEC:CKT BD,6/12,FEMALE	00779	3-85927-6
					..(OPTION 03 ONLY)		
-61	131-0993-00			1	..BUS,CONDUCTOR:SHUNT ASSEMBLY,BLACK	22526	65474-005
					..(OPTION 03 ONLY)		
-62	131-0608-00			5	..TERMINAL,PIN:0.365 L X 0.025 BRZ GLD PL	22526	48283-036
					..(OPTION 03 ONLY)		
-63	136-0263-04			12	..SOCKET,PIN TERM:U/W 0.025 SQ PIN	22526	75377-001
					..(OPTION 03 ONLY)		
-64	386-4508-00			1	PLATE,ELEC GND:0.63 X 0.5 X 2.1,AL/STL ALY	80009	386-4508-00
	672-0814-00	B030000	B053912	1	CIRCUIT BD ASSY:0 LOCK CONTROL	80009	672-0814-00
					(OPTION 03 ONLY)		
	-----	B053913		1	CIRCUIT BD ASSY:0 LOCK CONTROL		
					(OPTION 03 ONLY)		
					(ATTACHING PARTS)		
-65	211-0666-00			2	SCREW,MACHINE:6-32 X 4.25,PNH,STL	83486	ORDER BY DESCR
					(OPTION 03 ONLY)		
-66	211-0507-00			1	SCREW,MACHINE:6-32 X 0.312,PNH,STL	83385	ORDER BY DESCR
					(OPTION 03 ONLY)		
					(END ATTACHING PARTS)		
					.CKT BOARD ASSY INCLUDES:		
-67	337-2803-00			1	.SHIELD,ELEC:CIRCUIT BOARD	80009	337-2803-00
					.(ATTACHING PARTS)		
-68	211-0105-01			6	.SCREW,MACHINE:4-40 X 0.188,FLH,100 DEG,STL	26233	ORDER BY DESCR
-69	211-0005-00			3	.SCREW,MACHINE:4-40 X 0.125,PNH,STL	86060	ORDER BY DESCR
					.(END ATTACHING PARTS)		
-70	-----			1	.CKT BOARD ASYS:PHASE LOCK CONT		
					.(SEE A51 REPL,OPTION 03 ONLY)		
					.(ATTACHING PARTS)		
-71	211-0116-00			4	.SCR,ASSEM WSHR:4-40 X 0.312,PNH,BRS,NP,POZ	77900	ORDER BY DESCR
					.(END ATTACHING PARTS)		
					.CKT BOARD ASSY INCLUDES:		
-72	131-2167-00			2	..CONN,RCPT,ELEC:CKT BD,FEMALE,12/24	00779	85927-5
					..(OPTION 03 ONLY)		
-73	131-2196-00			1	..CONN,RCPT,ELEC:CKT BD,6/12,FEMALE	00779	3-85927-6
					..(OPTION 03 ONLY)		
-74	131-0993-00			2	..BUS,CONDUCTOR:SHUNT ASSEMBLY,BLACK	22526	65474-005
					..(OPTION 03 ONLY)		
-75	131-0608-00			8	..TERMINAL,PIN:0.365 L X 0.025 BRZ GLD PL	22526	48283-036

Replaceable Mechanical Parts
492/492P Service Vol. 2 (B030000 & Up)

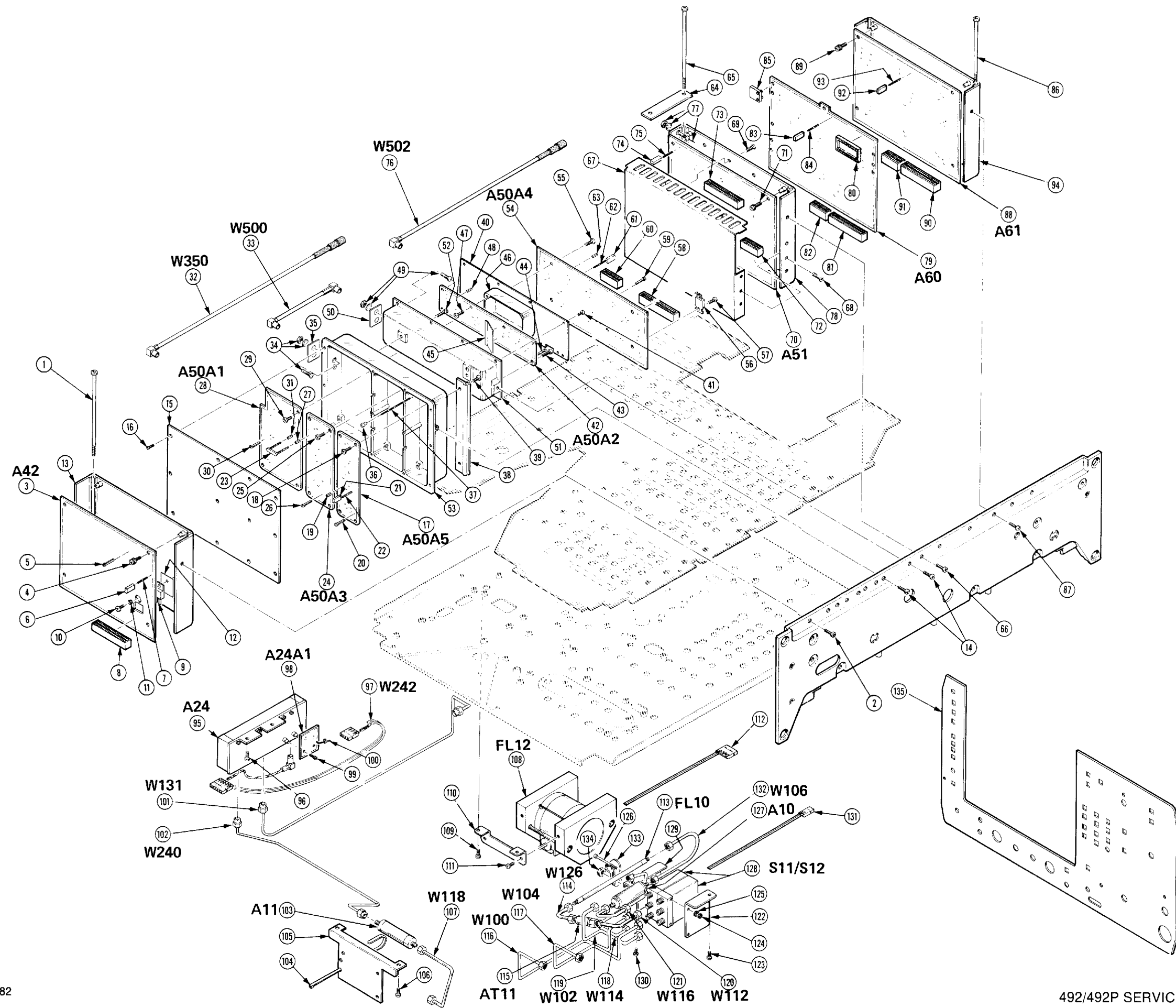
Fig. & Index No.	Tektronix Part No.	Serial/Assembly No. Effective	Dscont	Qty	12345 Name & Description	Mfr. Code	Mfr. Part No.
7-					.(OPTION 03 ONLY)		
-76	-----			1	.CABLE ASSY,RF:(SEE W502 REPL)		
					.(OPTION 03 ONLY)		
-77	131-0938-00			2	.CONN,RCPT,ELEC:SMB,FEMALE	98291	051-043-0349
					.(OPTION 03 ONLY)		
-78	352-0512-01			1	.HOLDER,CKT BD:5.7 L,ALUMINUM	80009	352-0512-01
					.(OPTION 03 ONLY)		
-79	-----			1	CKT BOARD ASSY:DGTL STOR INTFC		
					(SEE A60 REPL,OPTION 02 ONLY)		
-80	136-0621-00			2	.SKT,PL-IN ELEC:MICROCIRCUIT,22 DIP,LOW PF	09922	DILB22P-108T
					.(OPTION 02 ONLY)		
-81	131-2167-00			2	.CONN,RCPT,ELEC:CKT BD,FEMALE,12/24	00779	85927-5
					.(OPTION 02 ONLY)		
-82	131-2196-00			1	.CONN,RCPT,ELEC:CKT BD,6/12,FEMALE	00779	3-85927-6
					.(OPTION 02 ONLY)		
-83	131-0993-00			2	.BUS,CONDUCTOR:SHUNT ASSEMBLY,BLACK	22526	65474-005
					.(OPTION 02 ONLY)		
-84	131-0608-00			4	.TERMINAL,PIN:0.365 L X 0.025 BRZ GLD PL	22526	48283-036
					.(OPTION 02 ONLY)		
-85	351-0580-00			3	GUIDE,CKT BOARD:BLACK POLYPROPYLENE	80009	351-0580-00
					(OPTION 02 ONLY)		
	672-0816-00	B030000	B042219	1	CIRCUIT BD ASSY:DIGITAL STORAGE VERT	80009	672-0816-00
					(OPTION 02 ONLY)		
	672-0816-01	B042220	B043114	1	CIRCUIT BD ASSY:DIGITAL STORAGE VERT	80009	672-0816-01
					(OPTION 02 ONLY)		
	672-0816-02	B043115	B056032	1	CIRCUIT BD ASSY:DIGITAL STORAGE VERT	80009	672-0816-02
					(OPTION 02 ONLY)		
	672-0816-03	B056033		1	CIRCUIT BD ASSY:DIGITAL STORAGE	80009	672-0816-03
					(OPTION 02 ONLY)		
					(ATTACHING PARTS)		
-86	211-0666-00			2	SCREW,MACHINE:6-32 X 4.25,PNH,STL	83486	ORDER BY DESCR
					(OPTION 02 ONLY)		
-87	211-0507-00			1	SCREW,MACHINE:6-32 X 0.312,PNH,STL	83385	ORDER BY DESCR
					(OPTION 02 ONLY)		
					(END ATTACHING PARTS)		
					CKT BOARD ASSY INCLUDES:		
-88	-----			1	.CKT BOARD ASSY:DIGITAL STORAGE		
					.(SEE A61 REPL,OPTION 02 ONLY)		
					.(ATTACHING PARTS)		
-89	211-0116-00			4	.SCR,ASSEM WSHR:4-40 X 0.312,PNH,BRS,NP,POZ	77900	ORDER BY DESCR
					.(OPTION 02 ONLY)		
					.(END ATTACHING PARTS)		
					CKT BOARD ASSY INCLUDES:		
-90	131-2167-00			2	..CONN,RCPT,ELEC:CKT BD,FEMALE,12/24	00779	85927-5
					..(OPTION 02 ONLY)		
-91	131-2196-00			1	..CONN,RCPT,ELEC:CKT BD,6/12,FEMALE	00779	3-85927-6
					..(OPTION 02 ONLY)		
-92	131-0993-00			2	..BUS,CONDUCTOR:SHUNT ASSEMBLY,BLACK	22526	65474-005
					..(OPTION 02 ONLY)		
-93	131-0608-00			4	..TERMINAL,PIN:0.365 L X 0.025 BRZ GLD PL	22526	48283-036
					..(OPTION 02 ONLY)		
-94	352-0512-00			1	..HOLDER,CKT BD:5.7 L,ALUMINUM	80009	352-0512-00
					..(OPTION 02 ONLY)		
-95	-----			1	HYBRID CKT ASSY:		
					(SEE A24 REPL,OPTION 03 ONLY)		
					(ATTACHING PARTS)		
-96	211-0008-01			2	SCREW,MACHINE:4-40 X 0.25,PNH,STL	26233	ORDER BY DESCR
					(OPTION 03 ONLY)		
					(END ATTACHING PARTS)		
					HYBRID ASSY INCLUDES:		
-97	-----			1	.CA ASSY,SP,ELEC:(SEE W242 REPL,		
					OPTION 03 ONLY)		
	352-0162-00			1	..HLDR,TERM CONN:4 WIRE,BLACK	80009	352-0162-00
					..(OPTION 03 ONLY)		
	352-0164-00			1	..HLDR,TERM CONN:6 WIRE,BLACK	80009	352-0164-00
					..(OPTION 03 ONLY)		
-98	-----			1	.CKT BOARD ASSY:PH GATE INPUT		
					.(A24A1 REPL,OPTION 03 ONLY)		

Replaceable Mechanical Parts
492/492P Service Vol. 2 (B030000 & Up)

Fig. & Index No.	Tektronix Part No.	Serial/Assembly No. Effective Dscort	Qty	12345 Name & Description	Mfr. Code	Mfr. Part No.
7-				.(ATTACHING PARTS)		
-99	211-0206-00		2	.SCREW,CAP:2-56 X 0.312,SCH,STL .(OPTION 03 ONLY) .(END ATTACHING PARTS)	83385	ORDER BY DESCR
-100	131-1425-00		1	.CKT BOARD ASSY INCLUDES: ..CONN,RCPT,ELEC:RTANG HEADER,1 X 36,0.1 SP ..(OPTION 03 ONLY)	22526	65521-136
-101	-----		1	CABLE ASSY,RF:(SEE W131 REPL) (OPTION 03 ONLY)		
-102	-----		1	CABLE ASSY,RF:(SEE W240 REPL) (OPTION 03 ONLY)		
-103	-----		1	BIAS RETURN:(SEE A11 REPL) (OPTION 03 ONLY)		
-104	343-0549-00		1	STRAP,TIEDOWN,E:0.091 W X 4.0 L,ZYTEL (OPTION 03 ONLY)	06383	PLT1M
-105	407-2390-00		1	BRACKET,ELEC SW:ALUMINUM (OPTION 03 ONLY) (ATTACHING PARTS)	80009	407-2390-00
-106	211-0008-01		2	SCREW,MACHINE:4-40 X 0.25,PNH,STL (OPTION 03 ONLY) (END ATTACHING PARTS)	26233	ORDER BY DESCR
-107	-----		1	CABLE ASSY,RF:(SEE W118 REPL) (OPTION 03 ONLY)		
-108	-----		1	YIG TUNED FLTR:(SEE FL12 REPL) (OPTION 01 ONLY) (ATTACHING PARTS)		
-109	211-0008-01		2	SCREW,MACHINE:4-40 X 0.25,PNH,STL (OPTION 01 ONLY) (END ATTACHING PARTS)	26233	ORDER BY DESCR
-110	407-2151-00		1	.YIG FILTER ASSY INCLUDES: .BRACKET,ANGLE:MIXER/FILTER,ALUMINUM .(OPTION 01 ONLY) .(ATTACHING PARTS)	80009	407-2151-00
-111	211-0008-01		2	.SCREW,MACHINE:4-40 X 0.25,PNH,STL .(OPTION 01 ONLY) .(END ATTACHING PARTS)	26233	ORDER BY DESCR
-112	175-2373-00		1	.CA ASSY,SP,ELEC:2,26 AWG,3.0 L,RIBBON .(OPTION 01 ONLY)	TK1375	175-2373-00
	352-0163-00		1	.HLDR,TERM CONN:5 WIRE,BLACK .(OPTION 01 ONLY)	80009	352-0163-00
-113	-----		1	FILTER,LOW PASS:(SEE FL10 REPL, OPTION 01 ONLY)		
-114	-----		1	CABLE ASSY,RF:(SEE W126 REPL, OPTION 01 ONLY)		
-115	-----		1	ATTENUATOR:(SEE AT11 REPL, OPTION 01 ONLY)		
-116	-----		1	CABLE ASSY,RF:(SEE W100 REPL, OPTION 01 ONLY)		
-117	-----		1	CABLE ASSY,RFP(SEE W104 REPL, OPTION 01 ONLY)		
-118	-----		1	CABLE ASSY,RF:(SEE W114 REPL, OPTION 01 ONLY)		
-119	-----		1	CABLE ASSY,RF:(SEE W102 REPL, OPTION 01 ONLY)		
-120	-----		1	CABLE ASSY,RF:(SEE W112 REPL, OPTION 01 ONLY)		
-121	-----		1	CABLE ASSY,RF:(SEE W116 REPL, OPTION 01 ONLY)		
-122	407-2381-00		1	BRACKET,ELEC SW:ALUMINUM OPTION 01 ONLY) (ATTACHING PARTS)	80009	407-2381-00
-123	211-0008-01		2	SCREW,MACHINE:4-40 X 0.25,PNH,STL (OPTION 01 ONLY)	26233	ORDER BY DESCR
-124	210-0405-00		2	NUT,PLAIN,HEX:2-56 X 0.188,BRS CD PL (OPTION 01 ONLY)	73743	12157-50
-125	210-0001-00		2	WASHER,LOCK:#2 INTL,0.013 THK,STL (OPTION 01 ONLY)	77900	1202-00-00-0541C
-126	211-0128-00		2	SCREW,MACHINE:2-56 X 1.375,PNH,STL	TK0858	ORDER BY DESCR

Replaceable Mechanical Parts
492/492P Service Vol. 2 (B030000 & Up)

Fig. & Index No.	Tektronix Part No.	Serial/Assembly No. Effective	Discnt	Qty	12345 Name & Description	Mfr. Code	Mfr. Part No.
7-					(OPTION 01 ONLY)		
-127	-----			1	(END ATTACHING PARTS) LIMITER SYS:(SEE A10 REPL, OPTION 01 ONLY)		
-128	-----			2	SW,RF XMSN LINE:(SEE S11,S12 REPL, OPTION 01 ONLY)		
-129	386-4242-00			1	PLATE,SW MTG:ALUMINUM (OPTION 01 ONLY) (ATTACHING PARTS)	80009	386-4242-00
-130	211-0008-01			2	SCREW,MACHINE:4-40 X 0.25,PNH,STL (OPTION 01 ONLY) (END ATTACHING PARTS)	26233	ORDER BY DESCR
-131	198-3048-00			1	WIRE SET,ELEC: (OPTION 01 ONLY)	TK1375	198-3048-00
	352-0169-00			1	.HLDR,TERM CONN:2 WIRE,BLACK (OPTION 01 ONLY)	80009	352-0169-00
-132	-----			1	CABLE ASSY,RF:(SEE W106 REPL, OPTION 01 ONLY)		
-133	343-0005-00			1	CLAMP,LOOP:0.437 ID,PLASTIC (OPTION 01 ONLY) (ATTACHING PARTS)	06915	E7 CLEAR ROUND
-134	210-0458-00			1	NUT,PL,ASSEM WA:8-32 X 0.344,STL CD PL (OPTION 01 ONLY) (END ATTACHING PARTS)	78189	511-081800-00
-135	333-2453-09	B030000	B040399	1	PANEL,FRONT: (OPTION 01 ONLY)	80009	333-2453-09
	333-2453-36	B040400	B054244	1	PANEL,FRONT: (OPTION 01 ONLY)	80009	333-2453-36
	333-2453-06	B030000	B040399	1	PANEL,FRONT: (OPTION 02 ONLY)	80009	333-2453-06
	333-2453-34	B040400		1	PANEL,FRONT: (OPTION 02 ONLY)	80009	333-2453-34
	333-2453-03	B030000	B040399	1	PANEL,FRONT: (OPTION 03 ONLY)	80009	333-2453-03
	333-2453-41	B040400		1	PANEL,FRONT: (OPTION 03 ONLY)	80009	333-2453-41
	333-2453-07	B030000	B040399	1	PANEL,FRONT: (OPTION 01 & 02 ONLY)	80009	333-2453-07
	333-2453-35	B040400		1	PANEL,FRONT: (OPTION 01 & 02 ONLY)	80009	333-2453-35
	333-2453-12	B030000	B040399	1	PANEL,FRONT: (OPTION 01 & 03 ONLY)	80009	333-2453-12
	333-2453-38	B040400		1	PANEL,FRONT: (OPTION 01 & 03 ONLY)	80009	333-2453-38
	333-2453-18	B030000	B040399	1	PANEL,FRONT: (OPTION 02 & 03 ONLY)	80009	333-2453-18
	333-2453-40	B040400		1	PANEL,FRONT: (OPTION 02 & 03 ONLY)	80009	333-2453-40
	333-2453-04	B300000	B040399	1	PANEL,FRONT: (OPTION 01, 02 & 03 ONLY)	80009	333-2453-04
	333-2453-39	B040400		1	PANEL,FRONT: (OPTION 01, 02 & 03 ONLY)	80009	333-2453-39



REV JUN 1982

492/492P SERVICE VOL. 2 (B030000 & up)

FIG. 7. OPTION 01, 02, 03

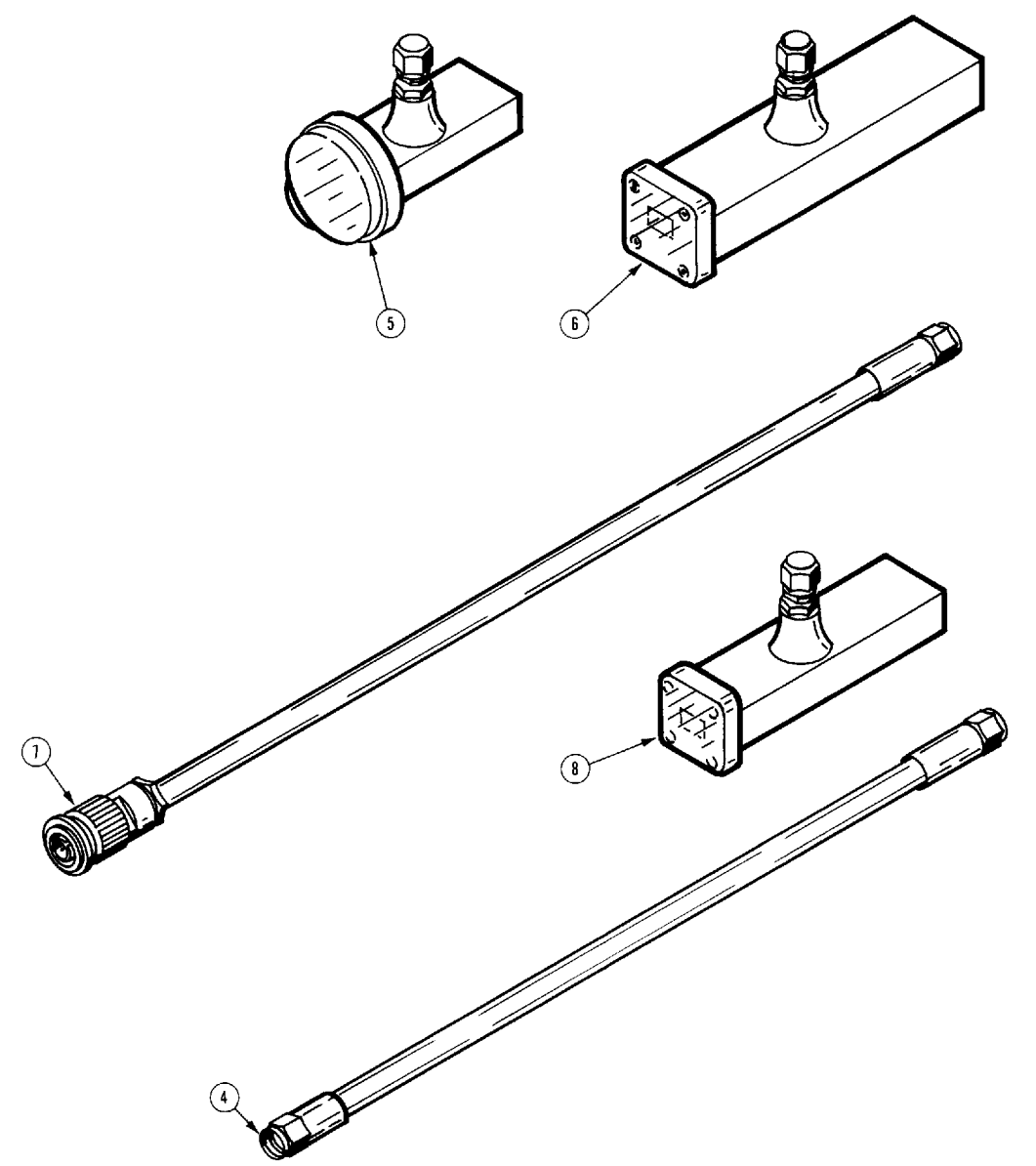
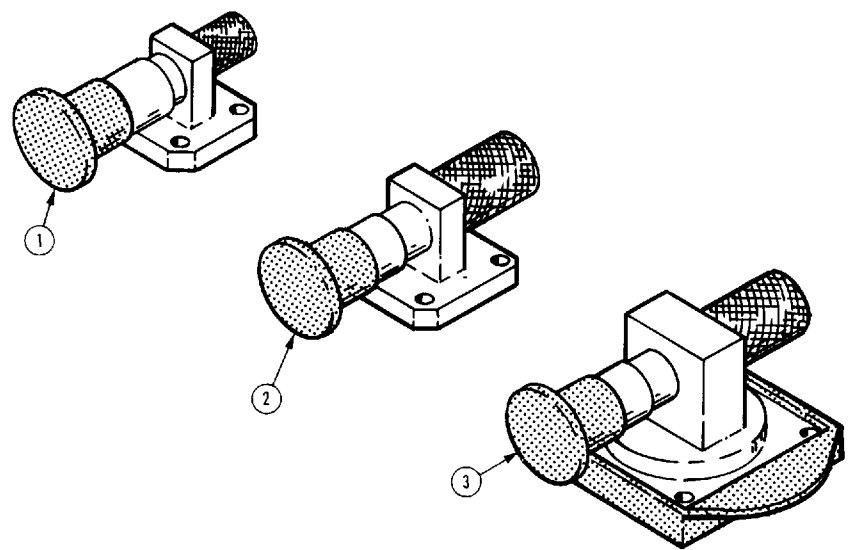
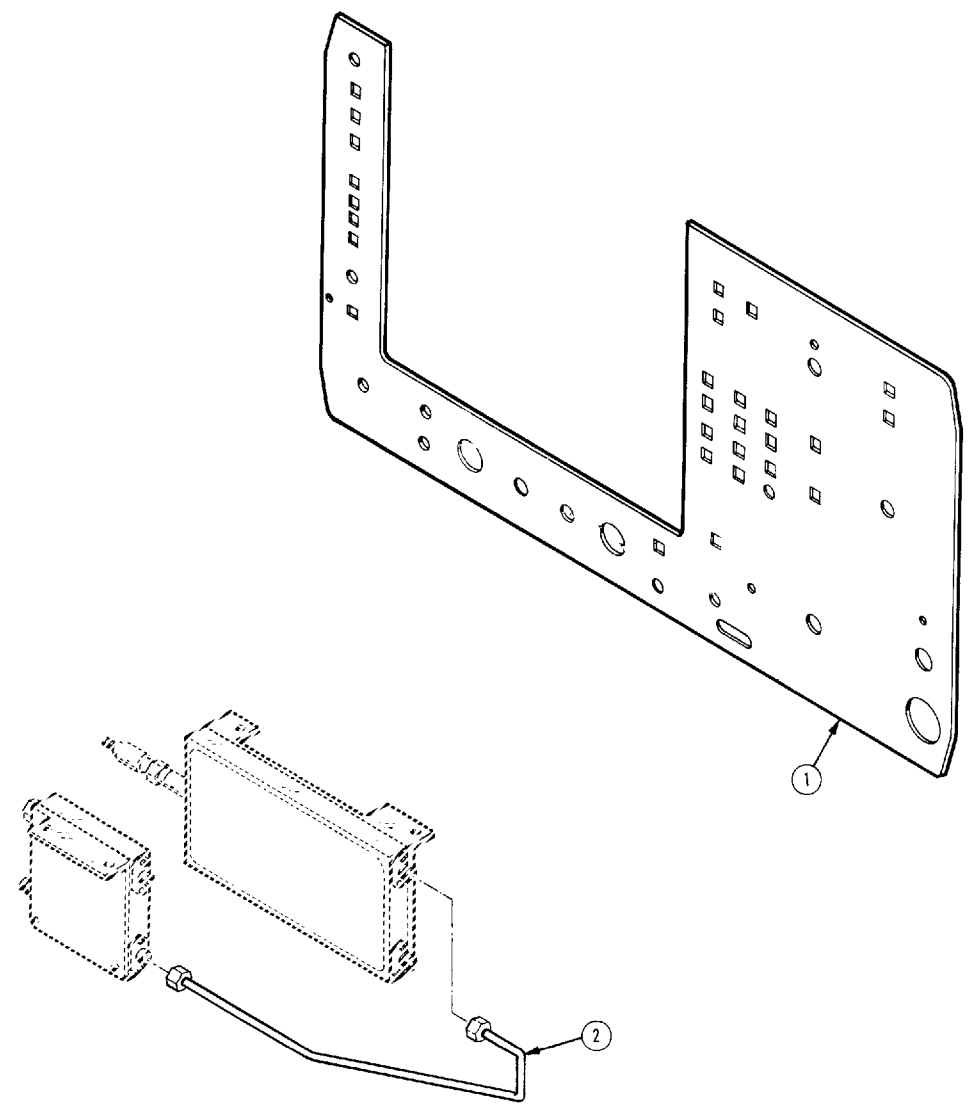


Fig. & Index No.	Tektronix Part No.	Serial/Assembly No.		Qty	12345 Name & Description	Mfr.	
		Effective	Dscont			Code	Mfr. Part No.
8-					OPTION 20		
-1	119-0099-01			1	MIXER,XTAL,WG:26.5-40.0GHZ W/DATA SHEET	80009	119-0099-01
-2	119-0098-01			1	MIXER,XTAL,WG:18.0-26.5GHZ W/DATA SHEET	80009	119-0098-01
-3	119-0097-01			1	MIXER,XTAL,WG:12.4-18.0GHZ W/DATA SHEET	80009	119-0097-01
-4	012-0748-00			1	CABLE,INTCON:28.5 L	19505	80-9901-202
					OPTION 21		
	016-0662-00	B030000	B030114	1	WG MIXER SET:HI PERFORMANCE,18-40GHZ	80009	016-0662-00
	-----	B030115		1	WAVEGUIDE MIXER SET:18 TO 40GHZ (WM490-2)		
-5	016-0631-01	B030000	B030114	1	.WG MIXER ASSY:18 TO 26.5GHZ	80009	016-0631-01
	-----	B030115		1	.WAVEGUIDE MIXER:18 TO 26.5GHZ . (WM490K) . (SEE 070-3731-01 MANUAL FOR PARTS BKDN)		
-6	016-0632-01	B030000	B030114	1	.WG MIXER ASSY:26.5 TO 40GHZ	80009	016-0632-01
	-----	B030115		1	.WAVEGUIDE MIXER:26.5 TO 40GHZ . (WM490A) . (SEE 070-3731-01 MANUAL FOR PARTS BKDN)		
-7	012-0649-00			1	.CABLE ASSY,RF:50 OHM COAX,28.5 L	19505	80-9902-201
	016-0465-01			1	.CASE,ACCESSORY:HIGH PERFORMANCE	80009	016-0465-01
					OPTION 22		
	016-0659-00	B030000	B030114	1	CASE,CARRYING:SOFT SHELL OPTIC FIBER FAMILY	80009	016-0659-00
	-----	B030115		1	WAVE GUIDE MIXER SET:18 TO 60GHZ (WM490-3)		
	016-0631-01	B030000	B030114	1	.WG MIXER ASSY:18 TO 26.5GHZ	80009	016-0631-01
	-----	B030115		1	.WAVEGUIDE MIXER:18 TO 26.5GHZ . (WM490K) . (SEE 070-3731-01 MANUAL FOR PARTS BKDN)		
	016-0632-01	B030000	B030114	1	.WG MIXER ASSY:26.5 TO 40GHZ	80009	016-0632-01
	-----	B030115		1	.WAVEGUIDE MIXER:26.5 TO 40GHZ . (WM490A) . (SEE 070-3731-01 MANUAL FOR PARTS BKDN)		
-8	016-0634-01	B030000	B030114	1	.WG MIXER ASSY:40 TO 63GHZ	80009	016-0634-01
	-----	B030115		1	.WAVEGUIDE MIXER:40 TO 60GHZ . (WM490U)		
	012-0649-00			1	.CABLE ASSY,RF:50 OHM COAX,28.5 L	19505	80-9902-201
	016-0465-01			1	.CASE,ACCESSORY:HIGH PERFORMANCE	80009	016-0465-01

Replaceable Mechanical Parts
 492/492P Service Vol. 2 (B030000 & Up)

Fig. & Index No.	Tektronix Part No.	Serial/Assembly No. Effective Dscort	Qty	12345 Name & Description	Mfr. Code	Mfr. Part No.
9-1	333-2453-32		1	PANEL,FRONT:OPTION 08	80009	333-2453-32
	333-2453-25		1	PANEL,FRONT:OPTION 01,03,08	80009	333-2453-25
	333-2453-26		1	PANEL,FRONT:OPTION 02,03,08	80009	333-2453-26
	333-2453-27		1	PANEL,FRONT:OPTION 03,08	80009	333-2453-27
	333-2453-28		1	PANEL,FRONT:OPTION 01,08	80009	333-2453-28
	333-2453-29		1	PANEL,FRONT:OPTION 01,02,08	80009	333-2453-29
	333-2453-30		1	PANEL,FRONT:OPTION 02,08	80009	333-2453-30
	333-2453-31		1	PANEL,FRONT:OPTION 01,02,03,08	80009	333-2453-31
-2	-----		1	CABLE ASSY,RF:(SEE W125 REPL)		



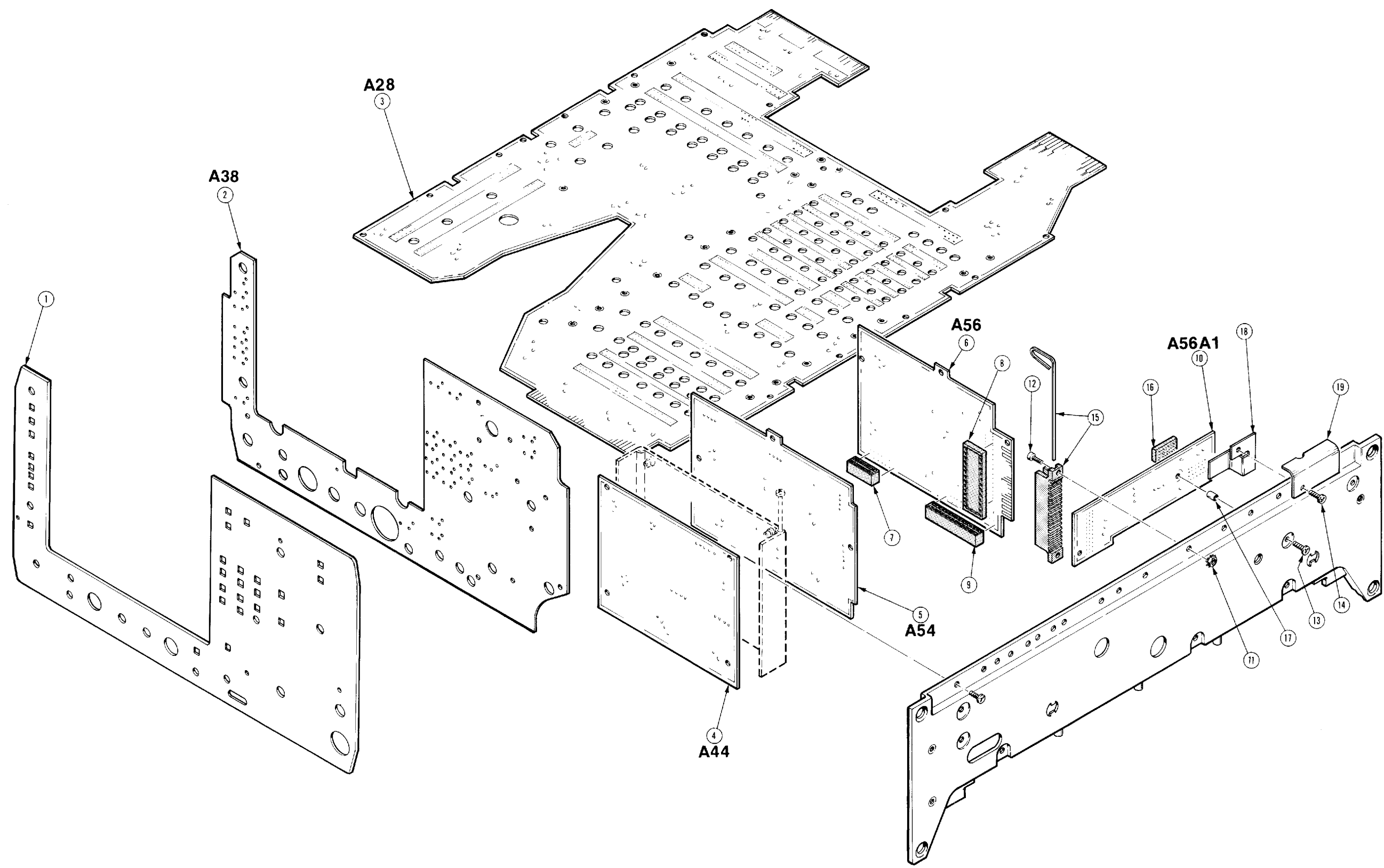


Fig. & Index No.	Tektronix Part No.	Serial/Assembly No.		Qty	12345 Name & Description	Mfr.	
		Effective	Discort			Code	Mfr. Part No.
10-1	333-2704-00			1	PANEL,FRONT:OPTION 02	80009	333-2704-00
	333-2704-01			1	PANEL,FRONT:OPTION 01,02,03	80009	333-2704-01
	333-2704-02			1	PANEL,FRONT:OPTION 01,02	80009	333-2704-02
	333-2704-03			1	PANEL,FRONT:OPTION 02,03	80009	333-2704-03
	333-2704-04			1	PANEL,FRONT:OPTION 02,08	80009	333-2704-04
	333-2704-05			1	PANEL,FRONT:OPTION 01,02,03,08	80009	333-2704-05
	333-2704-06			1	PANEL,FRONT:OPTION 01,02,08	80009	333-2704-06
	333-2704-07			1	PANEL,FRONT:OPTION 02,03,08	80009	333-2704-07
-2	-----			1	CKT BOARD ASSY:FRONT PANEL(SEE A38 REPL) (FOR PARTS BREAKDOWN SEE FIG.2 INDEX #36)		
-3	-----			1	CKT BOARD ASSY:MAIN MOTHER(SEE A28 REPL) (FOR PARTS BREAKDOWN SEE FIG.3 INDEX #20)		
-4	-----			1	CKT BOARD ASSY:1ST LO DRIVER(SEE A44 REPL) (FOR PARTS BREAKDOWN SEE FIG.4 INDEX #37)		
-5	-----			1	CKT BOARD ASSY:MEMORY(SEE A54 REPL) (FOR PARTS BREAKDOWN SEE FIG.4 INDEX #72)		
-6	-----			1	CKT BOARD ASSY:GPIB(SEE A56 REPL)		
-7	131-2196-00			1	.CONN,RCPT,ELEC:CKT BD,6/12,FEMALE	00779	3-85927-6
-8	136-0623-00			1	.SKT,PL-IN ELEK:CMPT,40 DIP,LOW PROFILE	09922	DILB40P-108
-9	131-2167-00			1	.CONN,RCPT,ELEC:CKT BD,FEMALE,12/24	00779	85927-5
	131-3091-00	B054820		1	.CONN,RCPT,ELEC:CKT BD,FEM,2 X 11,0.15 CTR S .PACING	80009	131-3091-00
	214-0579-00	B054820		1	.TERM,TEST POINT:BRS CD PL	80009	214-0579-00
-10	-----			1	CKT BOARD ASSY:GPIB EXTENDER (SEE A56A1 REPL) (ATTACHING PARTS)		
-11	210-0586-00			2	NUT,PL,ASSEM WA:4-40 X 0.25,STL CD PL	78189	211-041800-00
-12	211-0097-01			2	SCREW,MACHINE:4-40 X 0.312,PNH,STL	26233	ORDER BY DESCR
-13	211-0559-00			1	SCREW,MACHINE:6-32 X 0.375,FLH,100 DEG	TK0435	1593-300
-14	211-0510-00			1	SCREW,MACHINE:6-32 X 0.375,PNH,STL (END ATTACHING PARTS) CKT BOARD ASSY INCLUDES:	83385	ORDER BY DESCR
-15	131-2245-00	B030000	B054819	1	.CONN,RCPT,ELEC:EDGE CARD,20/40 CONT	00779	530801-1
	131-1609-00	B054820		1	.CONN,RCPT,ELEC:EDGE CARD,2 X 8,0.1 SPACING	80009	131-1609-00
	361-1039-01			2	.SPACER,CONN:PLASTIC	80009	361-1039-01
-16	131-2581-00			1	.CONN,RCPT,ELEC:CKT BD,4 X 7 CONT,FEMALE	91506	528-AG29D
-17	361-0146-00			1	SPACER,SLEEVE:0.148 L X 0.18 ID,BRS	80009	361-0146-00
-18	407-2728-00			1	BRACKET,CONN:ALUMINUM	80009	407-2728-00
-19	343-0995-00			1	RETAINER,CABLE:ALUMINUM	80009	343-0995-00

Replaceable Mechanical Parts
492/492P Service Vol. 2 (B030000 & Up)

Fig. & Index No.	Tektronix Part No.	Serial/Assembly No. Effective Dscont	Qty	12345 Name & Description	Mfr. Code	Mfr. Part No.
11-	-----		1	POWER SUPPLY:(SEE A30 REPL) (492P ONLY) (COMMON PARTS TO 492/492P POWER SUPPLY .ARE SHOWN IN FIG. 6)		
-1	337-2553-01		1	.SHIELD,ELEC:POWER SUPPLY	80009	337-2553-01
-2	348-0171-00		1	.GROMMET,PLASTIC:BLACK,U-SHAPED,0.276 ID	80009	348-0171-00
-3	200-2512-00		1	.COVER,ACCESS:LINE VOLTAGE,AL (ATTACHING PARTS)	80009	200-2512-00
-4	211-0105-01		2	.SCREW,MACHINE:4-40 X 0.188,FLH,100 DEG,STL (END ATTACHING PARTS)	26233	ORDER BY DESCR
-5	386-4439-00		1	.PLATE,CLAMPING:ALUMINUM (ATTACHING PARTS)	80009	386-4439-00
-6	211-0097-01		2	.SCREW,MACHINE:4-40 X 0.312,PNH,STL (END ATTACHING PARTS)	26233	ORDER BY DESCR
-7	348-0656-00		1	.PAD,CUSHIONING:1.0 X 0.5 X 0.062	80009	348-0656-00
-8	129-0823-00		1	.SPACER,POST:0.885 L,0.5 HEX	80009	129-0823-00
-9	-----		1	.CA ASSY,SP,ELEC:(SEE W1021 REPL)		
-10	343-0004-00		4	.CLAMP,LOOP:0.312 ID,PLASTIC (ATTACHING PARTS)	06915	E5 CLEAR ROUND
-11	210-0586-00		3	.NUT,PL,ASSEM WA:4-40 X 0.25,STL CD PL	78189	211-041800-00
-12	210-0863-00		3	.WSHR,LOOP CLAMP:0.187 ID U/W 0.5 W CLP (END ATTACHING PARTS)	95987	C191
-13	-----		1	.CA ASSY,SP,ELEC:(SEE W560 REPL)		
-14	131-0771-00		1	.CONN,RCPT,ELEC:2 MALE,2 FEM,PNL MT W/O HDW	91836	1904-2M58
-15	361-1045-00		1	.SPACER,SLEEVE:0.125 X 0.368 ID,BRS	80009	361-1045-00
-16	333-2656-00		1	.PANEL,REAR:	80009	333-2656-00
-17	386-3948-01		1	.PANEL,V SEL: (ATTACHING PARTS)	80009	386-3948-01
-18	220-0601-00		2	.NUT,PLAIN,CAP:4-40 X 0.25 HEX,BRS NP (END ATTACHING PARTS)	73743	93261-03
-19	333-2647-00	B030000	1	.PANEL,REAR:	80009	333-2647-00
	333-2647-02	B032510	1	.PANEL,REAR:	80009	333-2647-02
-20	426-1733-00		1	.FRAME,DOOR:	80009	426-1733-00
-21	200-2499-00		1	.DOOR,ACCESS:SWITCH	80009	200-2499-00
-22	380-0629-01		1	.HOUSING,REAR:CIRCUIT BOARD	80009	380-0629-01
-23	-----		1	.CKT BOARD ASSY:ACCESS INTERFACE (SEE A30A76 REPL) (ATTACHING PARTS)		
-24	211-0116-00		2	.SCR,ASSEM WSHR:4-40 X 0.312,PNH,BRS,NP,POZ	77900	ORDER BY DESCR
-25	210-1133-00		2	.WASHER,FLAT:0.142 ID X 0.25 OD X 0.058,FBR (END ATTACHING PARTS) .CKT BOARD ASSY INCLUDES:	86928	ORDER BY DESCR
-26	131-0608-00		4	.TERMINAL,PIN:0.365 L X 0.025 BRZ GLD PL ..(REMAINING PARTS BREAKDOWN FOR CKT BD ...SEE A30A76 ASSY FIG.6)	22526	48283-036
-27	129-0815-01		4	.SPACER,POST:0.24 L,0.375 OD (ATTACHING PARTS)	80009	129-0815-01
-28	210-0583-00		4	.NUT,PLAIN,HEX:0.25-32 X 0.312,BRS CD PL	73743	2X-20319-402
-29	210-0046-00		4	.WASHER,LOCK:0.261 ID,INTL,0.018 THK,STL (END ATTACHING PARTS)	77900	1214-05-00-0541C
-30	-----		1	.CKT BOARD ASSY:GPIB INTERFACE (SEE A30A57 REPL) (ATTACHING PARTS)		
-31	211-0116-00		2	.SCR,ASSEM WSHR:4-40 X 0.312,PNH,BRS,NP,POZ (END ATTACHING PARTS) .CKT BOARD ASSY INCLUDES:	77900	ORDER BY DESCR
-32	131-2203-02		1	.CONN,RCPT,ELEC:CKT BD,24 CONT,FEMALE	29587	57-20240-11(398)
-33	348-0598-00		1	.SEAL,CONNECTOR:GPIB BUS,VINYL (ATTACHING PARTS)	80009	348-0598-00
-34	214-2871-00		2	.HARDWARE KIT:STANDOFF ,STUD MOUNT W/NUT	00779	552633-1
-35	210-0804-00		2	.WASHER,FLAT:0.17 ID X 0.375 OD X 0.032 (END ATTACHING PARTS)	86928	76430-000
-36	361-1044-00		1	.SPACER,SLEEVE:0.232 L X 0.125 ID,AL	80009	361-1044-00
-37	131-2581-00		1	.CONN,RCPT,ELEC:CKT BD,4 X 7 CONT,FEMALE	91506	528-AG29D
-38	131-0608-00		2	.TERMINAL,PIN:0.365 L X 0.025 BRZ GLD PL	22526	48283-036
-39	426-1466-03		1	.FRAME SECT,SA:REAR	80009	426-1466-03
	252-0714-00		1	.RUBBER ROD:0.062 X 0.094,SILICONE	80009	252-0714-00

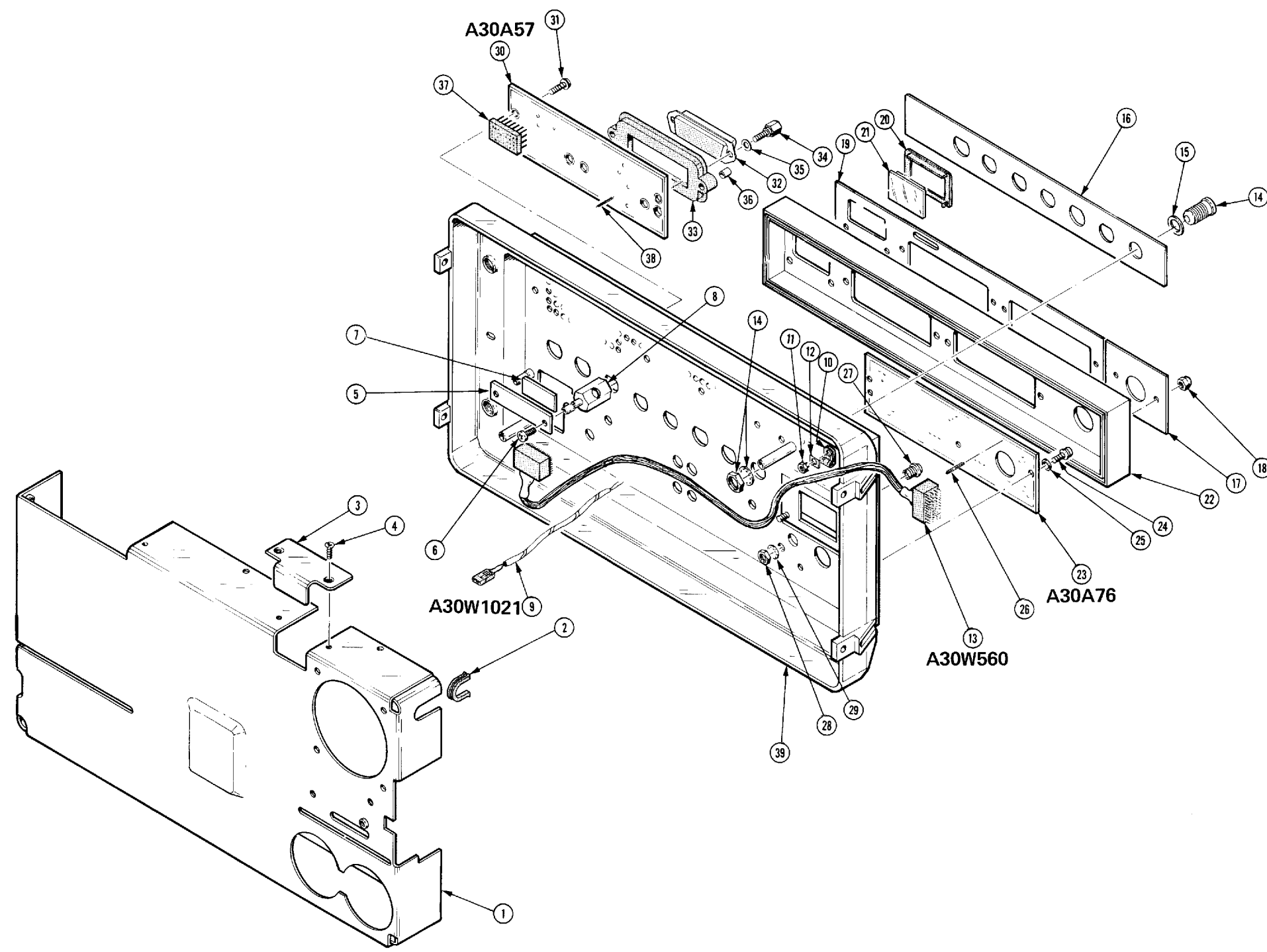


FIG. 11. 492P POWER SUPPLY

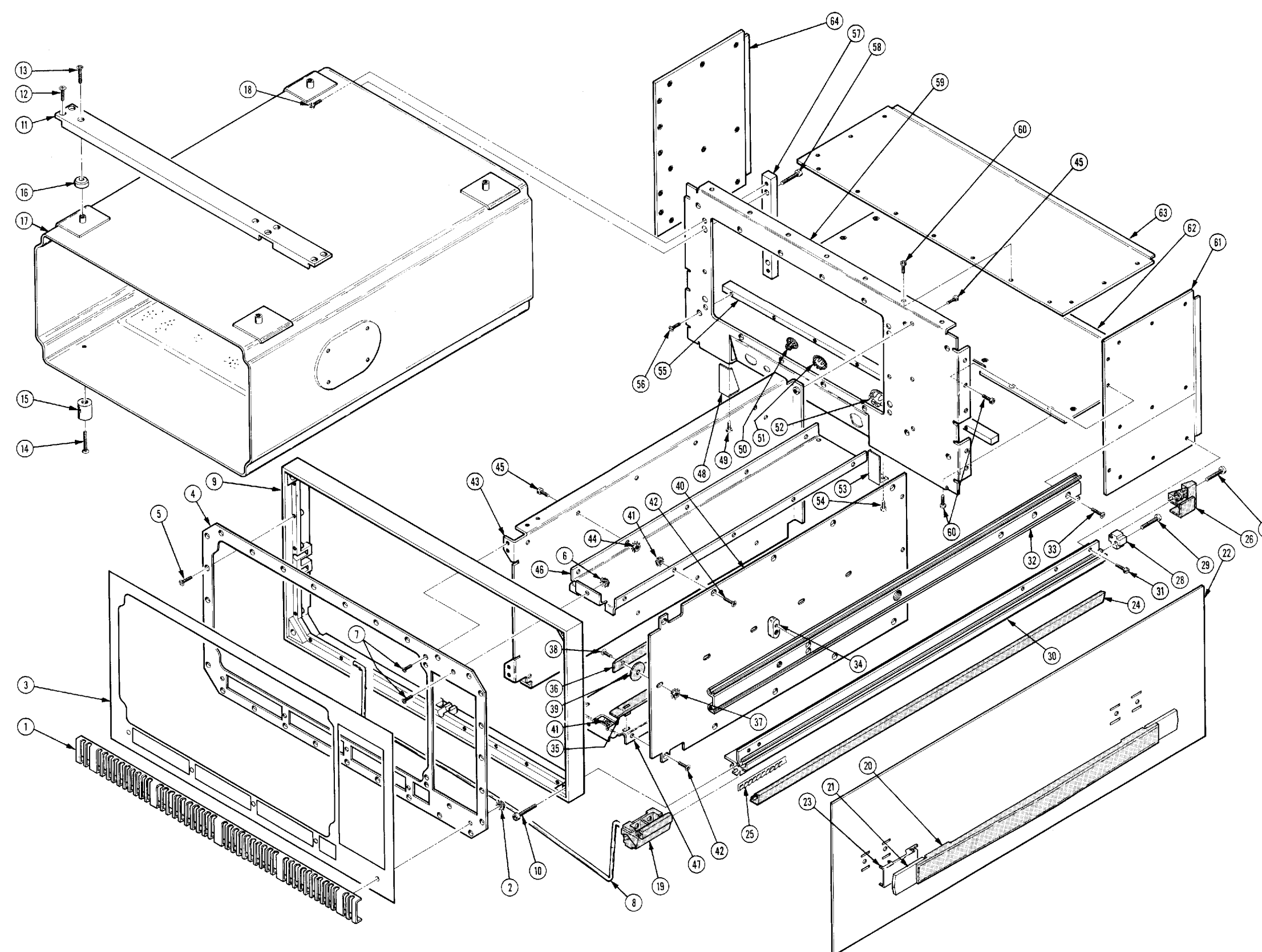


Fig. & Index No.	Tektronix Part No.	Serial/Assembly No.		Qty	12345	Name & Description	Mfr.	
		Effective	Discort				Code	Mfr. Part No.
12-1	378-0188-00			1		GRILLE,METAL:16.56 X 1.032,AL (ATTACHING PARTS)	80009	378-0188-00
-2	210-0586-00			5		NUT,PL,ASSEM WA:4-40 X 0.25,STL CD PL (END ATTACHING PARTS)	78189	211-041800-00
-3	333-2711-00			1		PANEL,FRONT:	80009	333-2711-00
-4	386-4542-00			1		SUBPANEL,FRONT: (ATTACHING PARTS)	80009	386-4542-00
-5	213-0229-00			28		SCREW,TPG,TF:6-20 X 0.375,TYPE B,FLH,100 DEG,STL	93907	ORDER BY DESCR
-6	210-0586-00			1		NUT,PL,ASSEM WA:4-40 X 0.25,STL CD PL	78189	211-041800-00
-7	211-0038-00			6		SCREW,MACHINE:4-40 X 0.312,FLH,100 DEG,STL (END ATTACHING PARTS)	TK0435	ORDER BY DESCR
-8	348-0748-00			1		FLIP-STAND,CAB.:FULL RACK,SST	80009	348-0748-00
-9	426-1792-00			1		FRAME,CABINET:FRONT (ATTACHING PARTS)	80009	426-1792-00
-10	213-0760-00			8		SCREW,TPG,TF:8-32 X 0.875,SPCL TAPTITE,FILH (END ATTACHING PARTS)	72228	ORDER BY DESCR
-11	381-0427-00			2		BAR,SUPPORT:CAN,ALUMINUM (ATTACHING PARTS)	80009	381-0427-00
-12	211-0559-00			12		SCREW,MACHINE:6-32 X 0.375,FLH,100 DEG	TK0435	1593-300
-13	211-0512-00			2		SCREW,MACHINE:6-32 X 0.5,FLH,100 DEG,STL	TK0435	ORDER BY DESCR
-14	211-0630-00			2		SCREW,MACHINE:6-32 X 1.12,FLH,100 DEG,STL (END ATTACHING PARTS)	TK0435	ORDER BY DESCR
-15	361-1134-00			2		SPACER,SLEEVE:0.872 L X 0.125 ID,AL	80009	361-1134-00
-16	361-1135-00			2		SPACER,SLEEVE:0.288 L X 0.213 ID,AL	80009	361-1135-00
-17	437-0232-01			1		CABINET,SA: (ATTACHING PARTS)	80009	437-0232-01
-18	211-0507-00			4		SCREW,MACHINE:6-32 X 0.312,PNH,STL (END ATTACHING PARTS)	83385	ORDER BY DESCR
-19	348-0617-00			4		FOOT,CABINET:BOT,TEK BLUE,POLYCARBONATE	80009	348-0617-00
-20	367-0248-01			2		HANDLE,CARRYING:16.341 L,W/CLIP	80009	367-0248-01
-21	200-2191-00			4		CAP,RETAINER:PLASTIC	80009	200-2191-00
-22	390-0844-01			2		CABINET SIDE:RIGHT,BENCH MOUNT W/HANDLE	80009	390-0844-01
-23	343-0752-00			4		.RETAINER,HANDLE:STAINLESS STEEL	80009	343-0752-00
-24	124-0366-00			2		STRIP,TRIM:CORNER,BOT,BLUE,18.085 L	80009	124-0366-00
	124-0367-00			2		STRIP,TRIM:CORNER, TOP,BLUE,21.585 L	80009	124-0367-00
-25	348-0633-00			4		SHLD GSKT,ELEK:FINGER TYPE,19.0 L,CORNER	52961	ORDER BY DESCR
	348-0632-00			4		SHLD GSKT,ELEK:FINGER TYPE,19.0 L,CORNER	52961	ORDER BY DESCR
-26	348-0544-00			4		RTNR,CAB COVER:CORNER,TEK BLUE,PC (ATTACHING PARTS)	80009	348-0544-00
-27	213-0782-00			1		SCREW,TPG,TF:8-32 X 0.625,FILH,STL (END ATTACHING PARTS)	83486	ORDER BY DESCR
-28	361-1066-00			4		SPACER,PLATE:0.115 THK,AL (ATTACHING PARTS)	80009	361-1066-00
-29	213-0760-00			4		SCREW,TPG,TF:8-32 X 0.875,SPCL TAPTITE,FILH (END ATTACHING PARTS)	72228	ORDER BY DESCR
-30	426-1793-00			4		FRAME SECT,CAB.: (ATTACHING PARTS)	80009	426-1793-00
-31	211-0007-00			24		SCREW,MACHINE:4-40 X 0.188,PNH,STL (END ATTACHING PARTS)	TK0435	ORDER BY DESCR
-32	386-4572-00			2		SPRT,CHAS TRACK:20.406 L,ALUMINUM (ATTACHING PARTS)	80009	386-4572-00
-33	211-0559-00			6		SCREW,MACHINE:6-32 X 0.375,FLH,100 DEG (END ATTACHING PARTS)	TK0435	1593-300
-34	220-0906-00			2		NUT BLOCK:12-24 X 0.820,AL	80009	220-0906-00
-35	361-0052-00			2		SPACER,SLEEVE:0.34 L X 0.172 ID,DELTRIN	80009	361-0052-00
-36	351-0683-00			2		GUIDE,SLIDE: (ATTACHING PARTS)	80009	351-0683-00
-37	210-0586-00			10		NUT,PL,ASSEM WA:4-40 X 0.25,STL CD PL	78189	211-041800-00
-38	211-0038-00			10		SCREW,MACHINE:4-40 X 0.312,FLH,100 DEG,STL (END ATTACHING PARTS)	TK0435	ORDER BY DESCR
-39	210-1017-00			10		WASHER,FLAT:0.281 ID X 0.875 OD X 0.032,NYL	80009	210-1017-00
-40	386-4532-00			1		PLATE,SIDE:DRAWER,AL (ATTACHING PARTS)	80009	386-4532-00
-41	210-0586-00			10		NUT,PL,ASSEM WA:4-40 X 0.25,STL CD PL	78189	211-041800-00
-42	211-0038-00			10		SCREW,MACHINE:4-40 X 0.312,FLH,100 DEG,STL (END ATTACHING PARTS)	TK0435	ORDER BY DESCR
-43	386-4541-00			1		PLATE,DRAWER:RH VERT,AL	80009	386-4541-00

Replaceable Mechanical Parts
492/492P Service Vol. 2 (B030000 & Up)

Fig. & Index No.	Tektronix Part No.	Serial/Assembly No. Effective Dscort	Qty	12345 Name & Description	Mfr. Code	Mfr. Part No.
12-				(ATTACHING PARTS)		
-44	210-0586-00		10	NUT, PL, ASSEM WA: 4-40 X 0.25, STL CD PL	78189	211-041800-00
-45	211-0097-01		13	SCREW, MACHINE: 4-40 X 0.312, PNH, STL (END ATTACHING PARTS)	26233	ORDER BY DESCR
-46	386-4533-00		1	PLATE, DRAWER: ACCESSORY, TOP, AL	80009	386-4533-00
-47	386-4531-00		1	PLATE, DRAWER: ACCESSORY, BOTTOM, AL	80009	386-4531-00
-48	200-2713-00		1	COVER, HOLE: RIGHT (ATTACHING PARTS)	80009	200-2713-00
-49	211-0008-01		1	SCREW, MACHINE: 4-40 X 0.25, PNH, STL (END ATTACHING PARTS)	26233	ORDER BY DESCR
-50	134-0166-00		2	BUTTON, PLUG: 0.25 HOLE, STEEL (OPTION 30 ONLY)	57771	D4647
-51	134-0156-00		2	BUTTON, PLUG: 0.5 HOLE (OPTION 30 ONLY)	77132	SS48152-K1110
-52	134-0138-00		1	BUTTON, PLUG: 0.625 HOLE, STL CRPL (OPTION 30 ONLY)	77132	SS48172
-53	200-2712-00		1	COVER, HOLE: LEFT ALUMINUM, 492 (ATTACHING PARTS)	80009	200-2712-00
-54	211-0008-01		1	SCREW, MACHINE: 4-40 X 0.25, PNH, STL (END ATTACHING PARTS)	26233	ORDER BY DESCR
-55	386-4660-00		2	SUPPORT, PLATE: ALUMINUM (ATTACHING PARTS)	80009	386-4660-00
-56	211-0025-00		14	SCREW, MACHINE: 4-40 X 0.375, FLH, 100 DEG, STL (END ATTACHING PARTS)	TK0435	ORDER BY DESCR
-57	386-4661-00		2	PLATE, SUPPORT: FRAME, AL	80009	386-4661-00
-58	212-0655-00		4	SCREW, CAP: 10-24 X 0.625, HEX HD, STL	TK0392	ORDER BY DESCR
-59	333-2712-00		1	PANEL, REAR: (ATTACHING PARTS)	80009	333-2712-00
-60	211-0007-01		25	SCREW, MACHINE: 4-40 X 0.188, PNH, STL (END ATTACHING PARTS)	26233	ORDER BY DESCR
-61	390-0804-00		1	CABINET SIDE: INSIDE RIGHT REAR	80009	390-0804-00
-62	390-0845-00		1	CABINET BOTTOM: INSIDE	80009	390-0845-00
-63	390-0806-00		1	CABINET TOP/BOT: REAR	80009	390-0806-00
-64	390-0805-00		1	CABINET SIDE: INSIDE LEFT REAR	80009	390-0805-00

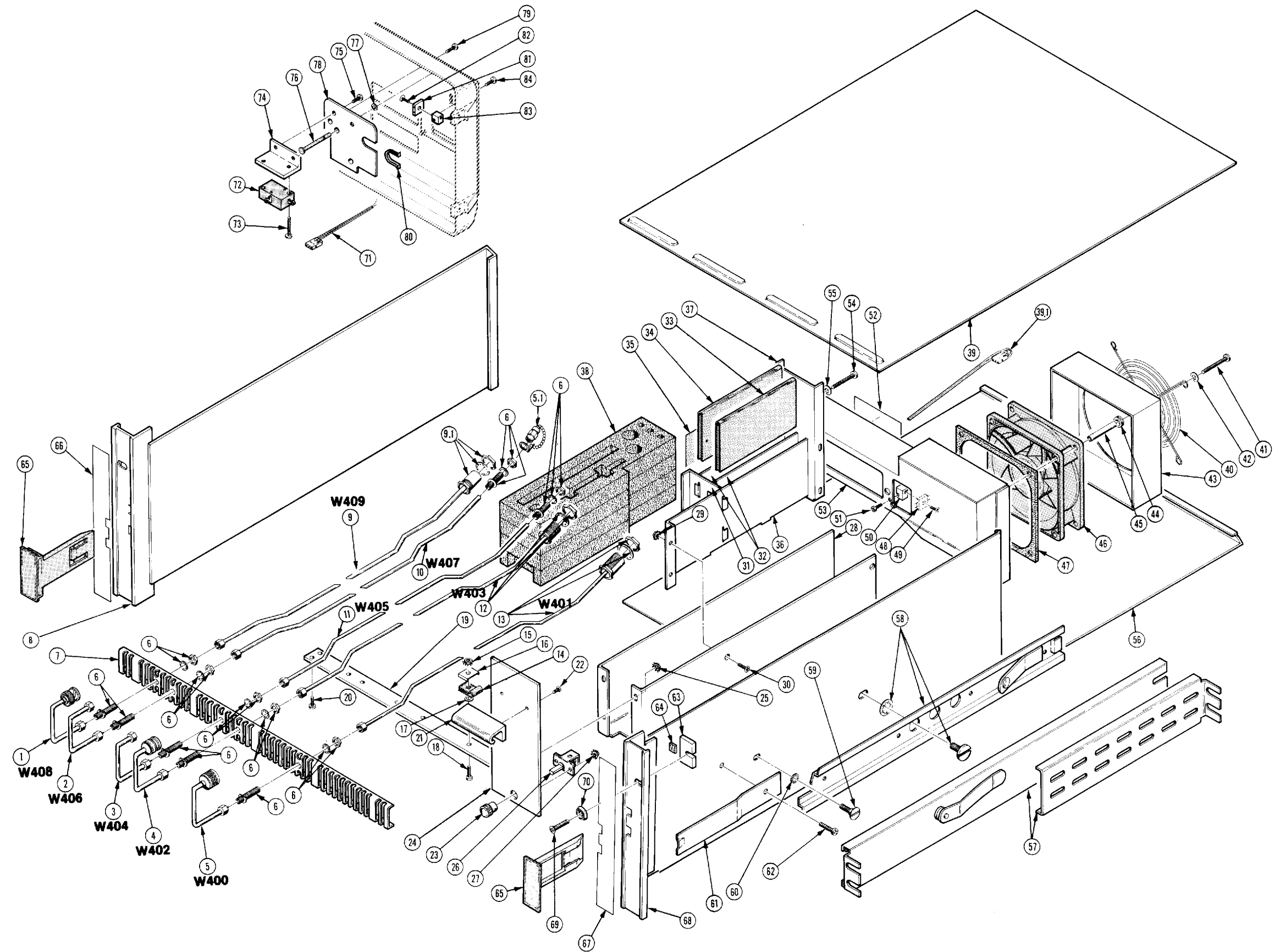
Fig. & Index No.	Tektronix Part No.	Serial/Assembly No.		Qty	12345	Name & Description	Mfr.	
		Effective	Discont				Code	Mfr. Part No.
13-1	-----			1		CABLE ASSY,RF:(SEE W401 REPL, OPTION 31 ONLY)		
-2	-----			1		CABLE ASSY,RF:(SEE W405 REPL, OPTION 31 ONLY)		
-3	-----			1		CABLE ASSY,RF:(SEE W407 REPL, OPTION 31 ONLY)		
-4	-----			1		CABLE ASSY,RF:(SEE W409 REPL, OPTION 31 ONLY)		
-5	-----			1		CABLE ASSY,RF:(SEE W403 REPL, OPTION 31 ONLY)		
-5.1	-----			2		TERMN,COAXIAL:(SEE P110,P112 REPL)		
-6	131-2343-00			7		CONN,RCPT,ELEC:SMA,DOUBLE FEMALE (OPTION 31 ONLY)	16179	2084-3202-02
-7	378-0889-00			1		GRILLE,METAL:16.0 X 1.032,AL (OPTION 31 ONLY)	80009	378-0889-00
-8	390-0814-00			1		CABINET SIDE:LEFT,RACK MOUNT W/HANDLE (OPTION 30 AND 31 ONLY)	80009	390-0814-00
-9	-----			1		CABLE ASSY,RF:(SEE W402 REPL, OPTION 31 ONLY)		
	103-0251-00	B055139		1		ADAPTER,CONN:JACK TO JACK (OPTION 31 ONLY)	80009	103-0251-00
-10	-----			1		CABLE ASSY,RF:(SEE W404 REPL, OPTION 31 ONLY)		
-11	-----			1		CABLE ASSY,RF:(SEE W406 REPL, OPTION 31 ONLY)		
-12	-----			1		CABLE ASSY,RF:(SEE W400 REPL) (OPTION 31 ONLY)		
-13	-----			1		CABLE ASSY,RF:(SEE W408 REPL, OPTION 31 ONLY)		
-14	343-0001-00			5		CLAMP,LOOP:0.125 ID,PLASTIC (OPTION 31 ONLY) (ATTACHING PARTS)	06915	E2 CLEAR
-15	210-0586-00			5		NUT,PL,ASSEM WA:4-40 X 0.25,STL CD PL (OPTION 31 ONLY)	78189	211-041800-00
-16	210-0863-00			5		WSHR,LOOP CLAMP:0.187 ID U/W 0.5 W CLP (OPTION 31 ONLY)	95987	C191
-17	210-1093-00	B030000	B031101	5		WASHER,FLAT:0.188 ID X 0.312 OD X 0.156 (OPTION 31 ONLY)	83385	ORDER BY DESCR
	210-1092-00	B031102		5		WASHER,FLAT:0.147 ID X 0.312 OD X 0.028 (OPTION 31 ONLY)	86928	5714-33-32N
-18	211-0198-00	B030000	B031101	5		SCREW,MACHINE:4-40 X 0.438,PNH,STL (OPTION 31 ONLY)	TK0435	ORDER BY DESCR
	211-0014-00	B031102		5		SCREW,MACHINE:4-40 X 0.5,PNH,STL (OPTION 31 ONLY) (END ATTACHING PARTS)	TK0435	ORDER BY DESCR
	436-0160-00			1		DRAWER,ACCESS.:	80009	436-0160-00
-19	386-4747-00			1		SUPPORT,CABLE:12.607 X 0.75,ALUMINUM (ATTACHING PARTS)	80009	386-4747-00
-20	211-0097-01			4		SCREW,MACHINE:4-40 X 0.312,PNH,STL (END ATTACHING PARTS)	26233	ORDER BY DESCR
-21	367-0304-00			1		.HDL,ACCESS.DWR:ALUMINUM (ATTACHING PARTS)	80009	367-0304-00
-22	211-0101-01			2		.SCREW,MACHINE:4-40 X 0.25,FLH,100 DEG,STL (END ATTACHING PARTS)	26233	ORDER BY DESCR
-23	366-0488-00			1		.KNOB:AL,0.251 ID X 0.5 OD X 0.625 H	80009	366-0488-00
	213-0005-00			1		.SETSCREW:8-32 X 0.125,STL	TK0392	ORDER BY DESCR
-24	386-4545-00			1		.SUBPANEL,FRONT: (ATTACHING PARTS)	80009	386-4545-00
-25	210-0586-00			4		.NUT,PL,ASSEM WA:4-40 X 0.25,STL CD PL (END ATTACHING PARTS)	78189	211-041800-00
-26	214-3305-00			1		.FASTENER,PAWL:RIGHT,ADJUSTABLE (ATTACHING PARTS)	94222	43-99-124-41
-27	210-0586-00			2		.NUT,PL,ASSEM WA:4-40 X 0.25,STL CD PL (END ATTACHING PARTS)	78189	211-041800-00
-28	380-1602-00			1		.HOUSING,DRAWER:ACCESSORY,AL (ATTACHING PARTS)	80009	380-1602-00
-29	210-0586-00			8		.NUT,PL,ASSEM WA:4-40 X 0.25,STL CD PL	78189	211-041800-00
-30	211-0101-01			8		.SCREW,MACHINE:4-40 X 0.25,FLH,100 DEG,STL	26233	ORDER BY DESCR

Replaceable Mechanical Parts
492/492P Service Vol. 2 (8030000 & Up)

Fig. & Index No.	Tektronix Part No.	Serial/Assembly No. Effective Dscnt	Qty	12345 Name & Description	Mfr. Code	Mfr. Part No.
13-				.(END ATTACHING PARTS)		
-31	386-4604-00		1	.DIVIDER,ACCESS.:2.296 X 3.175,AL	80009	386-4604-00
-32	386-4605-00		2	.DIVIDER,ACCESS.:5.392 X 3.625,AL	80009	386-4605-00
-33	348-0709-00		1	.PAD,CUSHIONING:5.281 X 3.125,VOLARA	80009	348-0709-00
-34	348-0708-00		1	.PAD,CUSHIONING:5.28 X 6.25,VOLARA	80009	348-0708-00
-35	342-0556-00		1	.INSULATOR,PLATE:FILTER,POLYESTER	80009	342-0556-00
-36	386-4606-00		1	.DIVIDER,ACCESS.:8.668 X 3.17,AL	80009	386-4606-00
-37	333-2717-00		1	.PANEL,REAR:ACCESS.DRAWER,AL	80009	333-2717-00
-38	377-0520-00		1	.INSERT,DRAWER:ACCESSORIES	80009	377-0520-00
-39	390-0752-00		1	CABINET TOP:TEK BLUE	80009	390-0752-00
-39.1	175-4465-00		1	CA ASSY,SP,ELEC:2,22 AWG,5.0 L,RIBBON	80009	175-4465-00
	352-0161-00		1	.HLDR,TERM CONN:3 WIRE,BLACK	80009	352-0161-00
-40	200-2222-00		1	GUARD,FAN: (ATTACHING PARTS)	81041	6-182-033
-41	211-0552-00	B030000	4	SCREW,MACHINE:6-32 X 2.0,PNH,STL	TK0435	ORDER BY DESCR
	211-0623-00	B031102	4	SCREW,MACHINE:6-32 X 2.25,PNH,STL	TK0435	ORDER BY DESCR
-42	210-0803-00	B030000	4	WASHER,FLAT:0.15 ID X 0.375 OD X 0.032,STL	12327	ORDER BY DESCR
	210-0858-00	B031102	4	WASHER,FLAT:0.172 ID X 0.5 OD X 0.062,BRS (END ATTACHING PARTS)	12327	ORDER BY DESCR
-43	337-2823-00		1	SHIELD,FAN:ALUMINUM	80009	337-2823-00
-44	348-0003-00		4	GROMMET,RUBBER:BLACK,ROUND,0.219 ID	70485	1411B6040
-45	361-1161-00		4	SPACER,SLEEVE:1.75 L X 0.144 ID,AL	80009	361-1161-00
-46	-----		1	FAN,VENTILATING(SEE A30B200 REPL)		
-47	348-0728-00		1	GASKET:FAN HOUSING	80009	348-0728-00
-48	131-1547-00		1	CONN,RCPT,ELEC:MALE,0.04 DIA CONT (ATTACHING PARTS)	81312	JFZP
-49	211-0030-00		1	SCREW,MACHINE:2-56 X 0.25,FLH,82 DEG,STL (END ATTACHING PARTS)	TK0435	ORDER BY DESCR
-50	220-0918-00		1	NUT BLOCK:2-56 X 0.306 X 0,25 SQ,AL (ATTACHING PARTS)	80009	220-0918-00
-51	211-0001-00		1	SCREW,MACHINE:2-56 X 0.25,PNH,STL (END ATTACHING PARTS)	TK0435	ORDER BY DESCR
-52	334-4447-00		1	MARKER,IDENT:MKD CAUTION	80009	334-4447-00
-53	378-0172-00		1	DUCT,AIR:W/FAN HOUSING,AL (ATTACHING PARTS)	80009	378-0172-00
-54	211-0552-00		2	SCREW,MACHINE:6-32 X 2.0,PNH,STL	TK0435	ORDER BY DESCR
-55	210-0858-00		2	WASHER,FLAT:0.172 ID X 0.5 OD X 0.062,BRS (END ATTACHING PARTS)	12327	ORDER BY DESCR
-56	390-0749-00		1	CABINET BOTTOM:TEK BLUE	80009	390-0749-00
-57	351-0623-00		1	SLIDE,DWR,EXT:22.0 X 1.54,STEEL (OPTION 30 AND 31 ONLY)	80009	351-0623-00
-58	351-0104-00		1	SL SECT,DWR EXT:12.625 X 2.25 (OPTION 30 AND 31 ONLY)	06666	C-720-2
-59	212-0591-00		2	SCREW,MACHINE:10-32 X 0.75,OVH,STL (OPTION 30 AND 31 ONLY)	83385	ORDER BY DESCR
-60	210-0020-00		2	WASHER,LOCK:#12 INTL,0.025 THK,STL (OPTION 30 AND 31 ONLY)	78189	ORDER BY DESCR
	210-0445-00		2	NUT,PLAIN,HEX:10-32 X 0.375 HEX,STL CD PL	TK0858	ORDER BY DESCR
-61	105-0787-00		2	LATCH,RETAINING:RACKMOUNT,SST (OPTION 30 AND 31 ONLY) (ATTACHING PARTS)	80009	105-0787-00
-62	212-0023-00		2	SCREW,MACHINE:8-32 X 0.375,PNH,STL (OPTION 30 AND 31 ONLY) (END ATTACHING PARTS)	TK0435	ORDER BY DESCR
-63	361-1007-00		2	SPACER,HANDLE:0.187 THK,0.750 X 1.250,AL (OPTION 30 AND 31 ONLY)	80009	361-1007-00
-64	348-0631-00		2	PAD,CUSHIONING:0.375 X 0.5 X 0.062 (OPTION 30 AND 31 ONLY)	85471	ORDER BY DESCR
-65	105-0786-01		2	RELEASE,LATCH:W/COVER,PLASTIC (OPTION 30 AND 31 ONLY)	80009	105-0786-01
-66	124-0387-00		1	STRIP,TRIM:RACKMOUNT HANDLE,LEFT (OPTION 30 AND 31 ONLY)	80009	124-0387-00
-67	124-0392-00		1	STRIP,TRIM:RACK MOUNT HDL,RIGHT (OPTION 30 AND 31 ONLY)	80009	124-0392-00
-68	390-0813-00		1	CABINET SIDE:RIGHT,RACK MOUNT W/HANDLE (OPTION 30 AND 31 ONLY)	80009	390-0813-00
-69	212-0591-00		2	SCREW,MACHINE:10-32 X 0.75,OVH,STL (OPTION 30 AND 31 ONLY)	83385	ORDER BY DESCR

Replaceable Mechanical Parts
492/492P Service Vol. 2 (B030000 & Up)

Fig. & Index No.	Tektronix Part No.	Serial/Assembly No.		Qty	12345 Name & Description	Mfr.	
		Effective	Dscont			Code	Mfr. Part No.
13-70	210-1298-00			2	WSHR,SHLDR&RECD:0.195 ID X 0.57 OD,PLSTC (OPTION 30 AND 31 ONLY)	80009	210-1298-00
	-----			1	POWER SUPPLY ASSY:(SEE A30 REPL) (OPTION 30,31,32 ONLY) . (SEE FIG. 6 FOR COMMON PARTS)		
-71	175-4465-00			1	.CA ASSY,SP,ELEC:2,22 AWG,5.0 L,RIBBON	80009	175-4465-00
	352-0161-00			1	..HLDR,TERM CONN:3 WIRE,BLACK	80009	352-0161-00
-72	-----			1	.SWITCH,SLIDE:(SEE S301 REPL) . (ATTACHING PARTS)		
-73	211-0016-00			2	.SCREW,MACHINE:4-40 X 0.625,PNH,STL . (END ATTACHING PARTS)	TK0435	ORDER BY DESCR
-74	407-2711-00			1	.BRACKET,ANGLE:SWITCH MOUNTING,ALUMINUM . (ATTACHING PARTS)	80009	407-2711-00
-75	211-0008-00			2	.SCREW,MACHINE:4-40 X 0.25,PNH,STL . (END ATTACHING PARTS)	93907	ORDER BY DESCR
-76	214-3203-00			1	.ACTUATOR,SWITCH: . (ATTACHING PARTS)	80009	214-3203-00
-77	354-0163-00			1	.RING,RETAINING:TYPE E EXT,U/O 0.125 ID SFT . (END ATTACHING PARTS)	79136	5133-12ZD
-78	378-0180-00			1	.BAFFLE,AIR: . (ATTACHING PARTS)	80009	378-0180-00
-79	211-0008-01			2	.SCREW,MACHINE:4-40 X 0.25,PNH,STL . (END ATTACHING PARTS)	26233	ORDER BY DESCR
-80	348-0171-00			1	.GROMMET,PLASTIC:BLACK,U-SHAPED,0.276 ID	80009	348-0171-00
-81	131-1548-00			1	.CONN,RCPT,ELEC:FEMALE,0.04 DIA CONT . (ATTACHING PARTS)	81312	JF2S
-82	211-0030-00			1	.SCREW,MACHINE:2-56 X 0.25,FLH,82 DEG,STL . (END ATTACHING PARTS)	TK0435	ORDER BY DESCR
-83	220-0899-00			1	.NUT BLOCK:2-56/4-40 X 0.375 X 0.25 SQ,AL . (ATTACHING PARTS)	80009	220-0899-00
-84	211-0211-00			1	.SCREW,CAP:4-40 X 0.188,SCH,STL . (END ATTACHING PARTS)	83385	ORDER BY DESCR



REV OCT 1986

492/492P SERVICE VOL. 2 (B030000 & up)

FIG. 13 OPTION 30, 31, 32

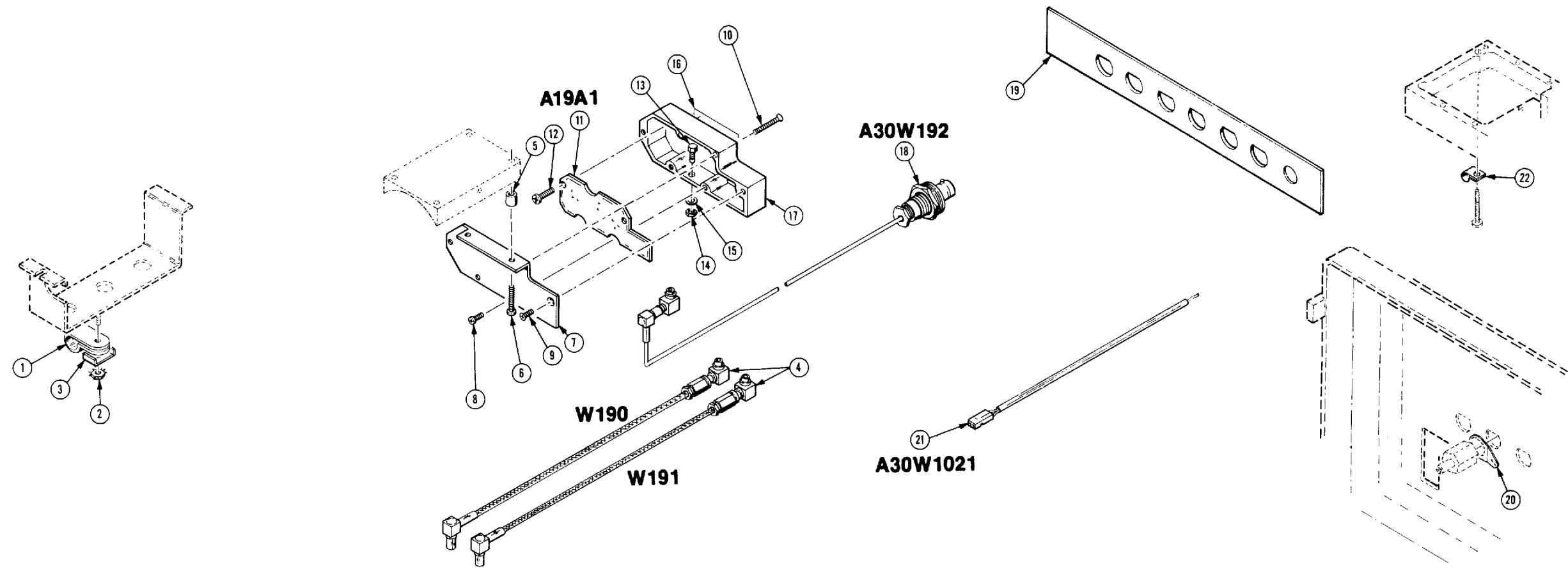
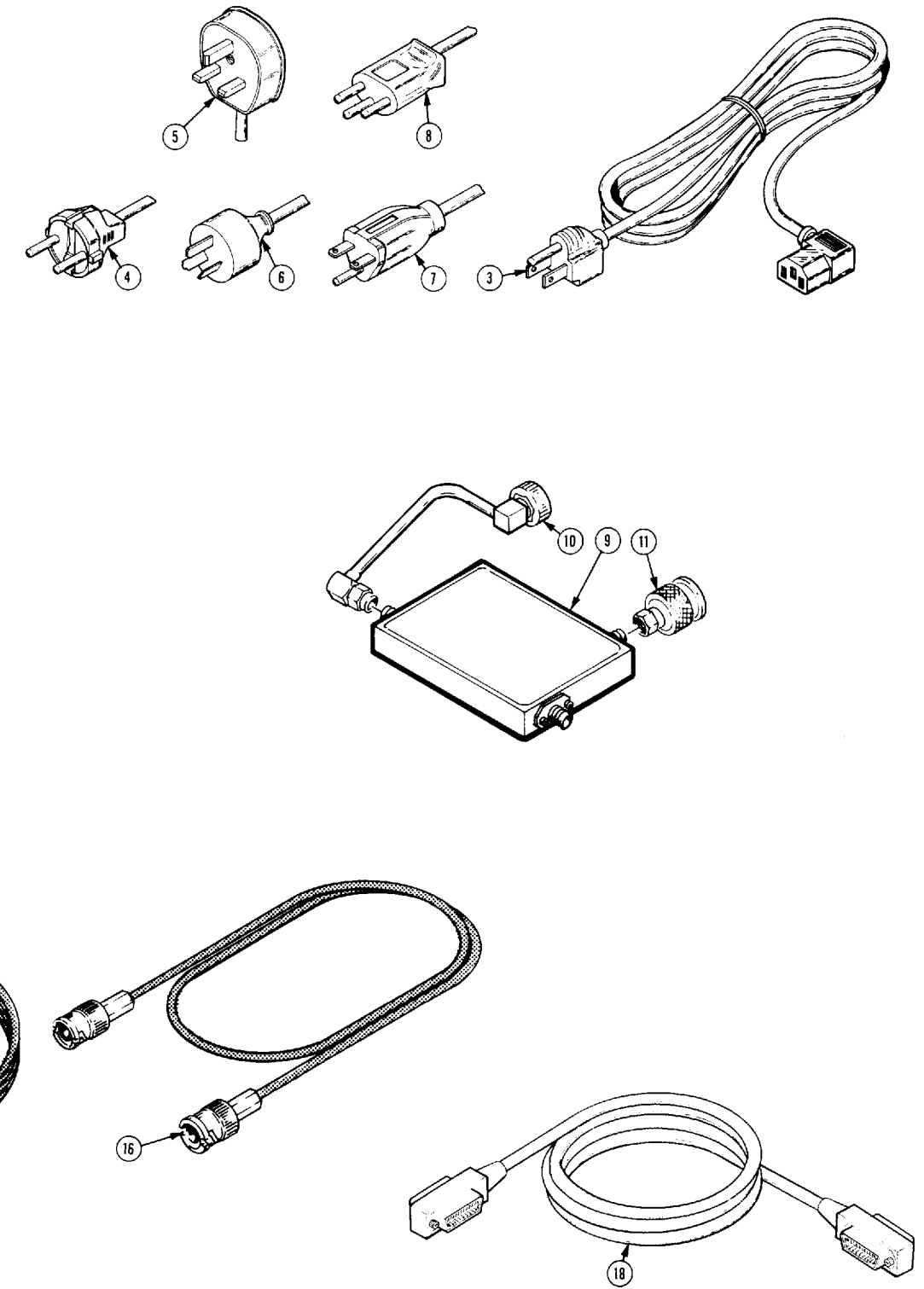
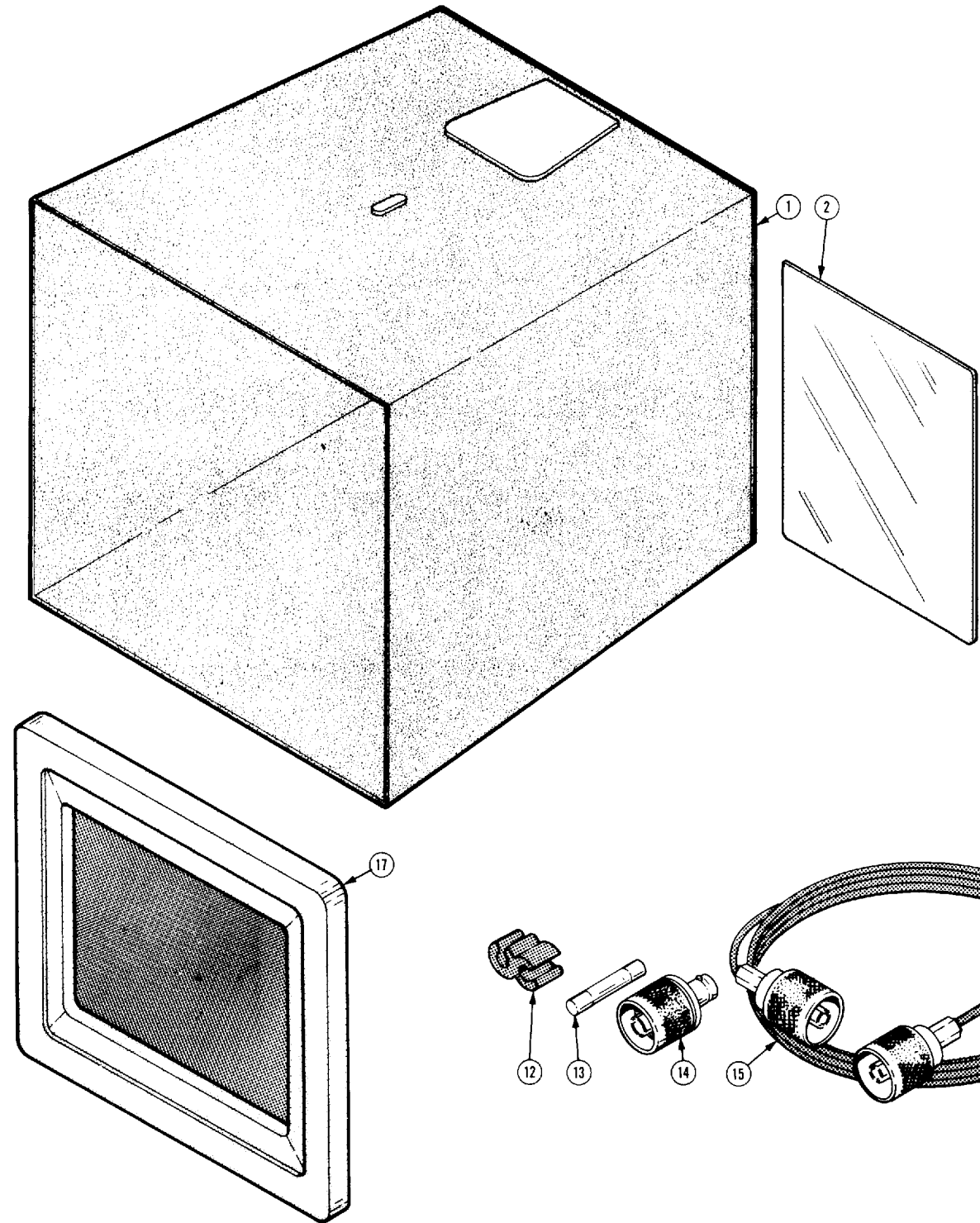


Fig. & Index No.	Tektronix Part No.	Serial/Assembly No.		Qty	12345 Name & Description	Mfr.	
		Effective	Discont			Code	Mfr. Part No.
14-1	343-0013-00			1	CLAMP, LOOP: 0.375 ID, PLASTIC (ATTACHING PARTS)	06915	E6 CLEAR
-2	210-0458-00			1	NUT, PL, ASSEM WA: 8-32 X 0.344, STL CD PL	78189	511-081800-00
-3	210-0863-00			1	WSHR, LOOP CLAMP: 0.187 ID U/W 0.5 W CLP (END ATTACHING PARTS)	95987	C191
-4	-----			2	CABLE ASSY, RF: (SEE W190, W191 REPL)		
-5	361-0917-00			2	SPACER, SLEEVE: 0.25 L X 0.141 ID, ALUMINUM (ATTACHING PARTS)	80009	361-0917-00
-6	211-0016-00			2	SCREW, MACHINE: 4-40 X 0.625, PNH, STL (END ATTACHING PARTS)	TK0435	ORDER BY DESCR
-7	200-3041-00			1	OSCILLOSCOPE ASSY: 110 MHZ (SEE A19 REPL) .COVER, HOUSING: CKT BD, MACHINED SHEET AL (ATTACHING PARTS)	80009	200-3041-00
-8	211-0001-00			3	.SCREW, MACHINE: 2-56 X 0.25, PNH, STL	TK0435	ORDER BY DESCR
-9	211-0030-00			1	.SCREW, MACHINE: 2-56 X 0.25, FLH, 82 DEG, STL	TK0435	ORDER BY DESCR
-10	213-0202-00			2	.SCREW, MACHINE: 2-56 X 0.625, FLH 100 DEG (END ATTACHING PARTS)	83385	ORDER BY DESCR
-11	-----			1	.CKT BOARD ASSY: 110 MHZ IF OUT (SEE A19A1 REPL) (ATTACHING PARTS)		
-12	211-0168-00			2	.SCREW, MACHINE: 4-40 X 0.25, PNH, BRS, NP (END ATTACHING PARTS)	12360	ORDER BY DESCR
-13	-----			1	.CAP, FXD, CER DI: (SEE A19C190 REPL) (ATTACHING PARTS)		
-14	210-0407-00			1	.NUT, PLAIN, HEX: 6-32 X 0.25, BRS CD PL	73743	3038-402
-15	210-0055-00			1	.WASHER, LOCK: #6 SPLIT, 0.031 THK, STL (END ATTACHING PARTS)	81350	ORDER BY DESCR
-16	342-0390-00			1	.INSULATOR, SHLD: CKT BD, OFFSET OSC, POLYESTER	80009	342-0390-00
-17	380-0737-00			1	.HOUSING, CKT BD: MACHINED ALUMINUM CAVITY POWER SUPPLY: (SEE A30 OPTION 42 REPL ONLY) (COMMON PARTS FOR THIS POWER SUPPLY ARE SHOWN IN FIG. 6)	80009	380-0737-00
-18	-----			1	.CABLE ASSY, RF: (SEE A30W192 REPL)		
-19	333-3152-00			1	.PANEL, REAR:	80009	333-3152-00
-20	210-0255-00			1	.TERMINAL, LUG: 0.391 ID, LOCKING, BRS CD PL	12327	ORDER BY DESCR
-21	-----			1	.CABLE ASSY, RF: (SEE A30W1021 REPL)		
-22	343-0144-00			1	CLAMP, LOOP: 0.125 ID, NYLON	TK1452	ORDER BY DESCR

Replaceable Mechanical Parts
492/492P Service Vol. 2 (B030000 & Up)

Fig. & Index No.	Tektronix Part No.	Serial/Assembly No.		Qty	12345 Name & Description	Mfr.	
		Effective	Dscnt			Code	Mfr. Part No.
15-1	016-0653-00			1	VISOR,CRT:FOLDING	80009	016-0653-00
-2	378-0115-01			1	FILTER,LT,CRT:AMBER,4.176 X 3.418,PLASTIC	80009	378-0115-01
	378-0115-02			1	FILTER,LT,CRT:GRAY,4.176 X 3.418,PLASTIC	80009	378-0115-02
-3	161-0118-00	B030000	B042515	1	CABLE ASSY,PWR,:3,16 AWG,125V,90.0 L (492P ONLY)	16428	CH-8686
	161-0104-00	B042516		1	CABLE ASSY,PWR,:3 WIRE,98.0 L,W/RTANG CONN SAFETY CONTROLLED (492P ONLY)	16428	CH8352, FH-8352
-4	161-0132-00			1	CABLE ASSY,PWR,:3,0.75MM SQ,220V,3.05M L (OPTION A1 ONLY,EUROPEAN)	TK1373	A30BF-RA
-5	161-0133-00	B030000	B053914	1	CABLE ASSY,PWR,:3,0.75MM SQ,240V,3.05M L (OPTION A2 ONLY,UNITED KINGDOM)	TK1373	A30UK-RA
	161-0104-07	B053915		1	CABLE ASSY,PWR,:3 X 0.75MM SQ,240V,98.0 L OPTION A2 ONLY,UNITED KINGDOM)	TK1373	A25UK-RA
-6	161-0135-00			1	CABLE ASSY,PWR,:3,0.75MM SQ,240V,3.05M L (OPTION A3 ONLY,AUSTRALIAN)	S3109	SAA/3-0D3CCFC3X0
-7	161-0134-00			1	CABLE ASSY,PWR,:3,18 AWG,240V,120.0 L (OPTION A4 ONLY,NORTH AMERICAN)	70903	ORDER BY DESC
-8	161-0167-00			1	CABLE ASSY,PWR,:3.0 X 0.75,6A,240V,2.5M L (OPTION A5 ONLY,SWISS)	S3109	ORDER BY DESC
-9	015-0385-00			1	WG MIXER DIPLXR:	80009	015-0385-00
-10	015-1055-00			1	.CABLE ASSY,RF:50 OHM COAX,3.382 L	80009	015-1055-00
-11	015-0388-00			1	.ADAPTER,CONN:TNC MALE TO SMA MALE	05617	901168
-12	343-0170-00			1	RTNR,CA TO CA:U/W 0.25 OD CABLES	80009	343-0170-00
-13	159-0017-00			2	FUSE,CARTRIDGE:3AG,4A,250V,FAST BLOW	71400	MTH-CW-4
-14	103-0045-00			1	ADAPTER,CONN:N MALE TO BNC FEMALE	24931	29 JP104-3
-15	012-0114-00			1	CABLE ASSY,RF:50 OHM COAX,72.0 L	91836	K-3802
-16	012-0076-00			1	CABLE ASSY,RF:50 OHM COAX,20.0 L	80009	012-0076-00
-17	378-0887-00			1	FILTER,MESH:EMI	80009	378-0887-00
	337-3274-00	B055889		1	SHIELD,ELEC:CONN,POLYAMIDE (492P ONLY)	80009	337-3274-00
-18	012-0630-03	B030000	B0561245	1	CABLE,INTCON:2.0M L	74868	AC30147-102
	159-0023-00	B042800		2	FUSE,CARTRIDGE:3AG,2A,250V,SLOW BLOW	71400	MDX2
	012-0991-00	B056125		1	CABLE,GPIB:LOW EMI,2 METER	00779	553577-3
	070-2726-02			1	MANUAL,TECH:OPERATORS,492/492P	80009	070-2726-02
	070-2729-00			1	MANUAL,TECH:OPERATORS	80009	070-2729-00
	070-3783-01			1	MANUAL,TECH:SERVICE,492/492P	80009	070-3783-01
	070-3784-01			1	MANUAL,TECH:SERVICE,492/492P	80009	070-3784-01
	070-3401-00			1	MANUAL,TECH:INSTR (492P ONLY)	80009	070-3401-00
	070-5071-00			1	MANUAL,TECH:REFERENCE GUIDE (492P ONLY)	80009	070-5071-00
	070-3731-01			1	MANUAL,TECH:INSTRUCTION (OPTION 21 & 22)	80009	070-3731-01



Manual Insert Status

DATE	CHANGE REFERENCE	STATUS
JUN 1986	M60390	Effective
NOV 1986	M60921 Revised	Effective
MAR 1987	M63002	Effective
MAR 1987	M59806	Effective
APR 1987	C10/487 Revised	Effective
APR 1987	M63459	Effective
APR 1987	M61497	Effective
APR 1987	M63532	Effective
APR 1987	M62802	Effective
SEP 1987	M63756	Effective
NOV 1987	M65240	Effective
NOV 1987	M65282	Effective
DEC 1987	M65465 Revised	Effective
JAN 1988	M63321	Effective
FEB 1988	M63911	Effective

Date: 6-11-86
 Product: see below

Change Reference: M60390
 Manual Part No.: see below Product Group: 26

Instrument	Part No.	Effective SN
492A/492AP Service 2	070-5566-00	B010267 23
494/494P Service 2	070-4417-01	B010839 23
496/496P Service 2	070-3482-00	B021529 24
492/492P Service 2	070-3784-01	B055877 22
492 Option 06 Service 2	070-4233-00	B621529 24

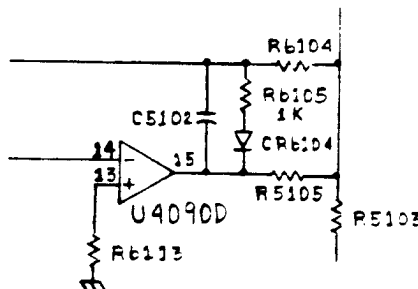
ELECTRICAL PARTS LIST AND SCHEMATIC CHANGES

CHANGE TO:

A62 670-5548-04 CIRCUIT BOARD ASSY:LOG AMPLIFIER
 (492/492P, 496/496P & 492 OPTION 06)

ADD:

A626105 315-0102-00 RES.,FXD,FILM:1K OHM,5%,0.25W

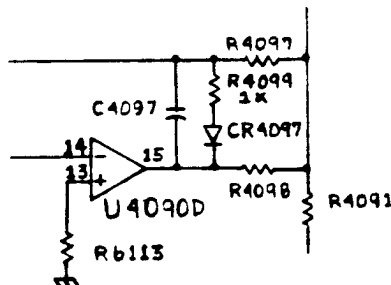


CHANGE TO:

A62 670-8008-02 CIRCUIT BOARD ASSY:LOG AMPLIFIER
 (492A/492AP & 494/494P)

ADD:

A624099 315-0102-00 RES.,FXD,FILM:1K OHM,5%,0.25W



Date: 11-20-86
Product: see list

Change Reference: M60921 Revised
Manual Part No.: see list Product Group: 26

Part No.	Instr.	Eff/Sn
070-2184-01	7L5	B093697
070-3434-00	7L14	B011155
070-3784-01	492/492P Ser. 2	B055950
070-3482-00	496/496P Ser. 2	B021753
070-4233-00	492/6 & 492P/6 Ser. 2	B621753
070-4417-01	494/494P Ser.2	B010962



ELECTRICAL PARTS LIST AND SCHEMATIC CHANGES

CHANGE TO:

A60	670-5555-05	CKT BOARD ASSY
A60R1024	317-0202-00	RES,FXD,CMPSN:2K OHM,5%,0.125W
A60R1026	317-0202-00	RES,FXD,CMPSN:2K OHM,5%,0.125W
A60R2023	317-0202-00	RES,FXD,CMPSN:2K OHM,5%,0.125W
A60U2035	156-2453-01	MICROCKT,DGTL:CMOS,ACIC,STD CELL, HORIZ DG

REMOVE:

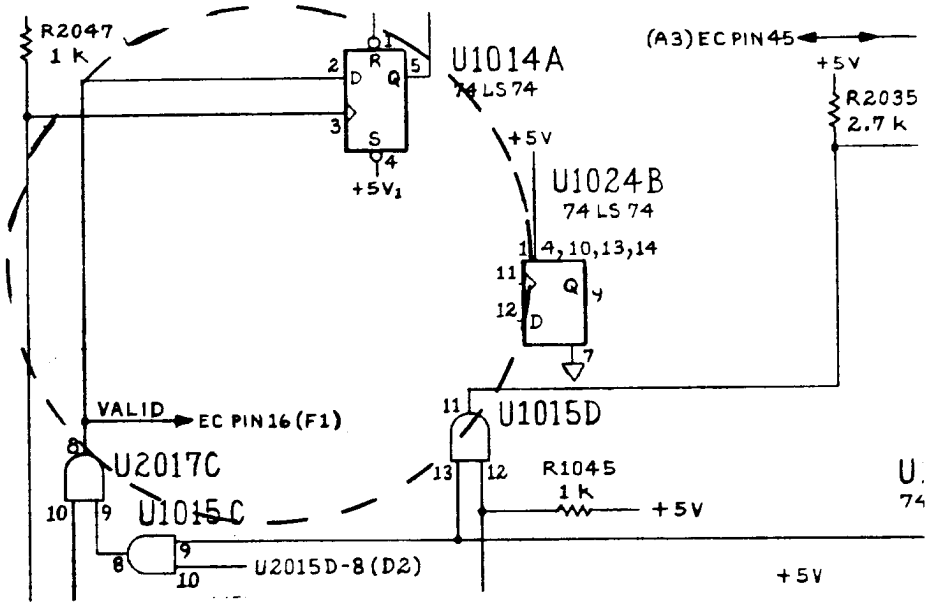
A60C1041	283-0359-01	CAP.,FXD,CER DI:1000PF,5%,200V
A60R1040	315-0273-00	RES.,FXD,FILM:2K OHM,5%,0.25W
A60U1033	156-0172-02	MICROCKT,DGTL:DUAL RETRIG MONOSTABLE MV

The above parts change in the 492/492P, 494/494P, 496/496P & 492/6 manuals.

CHANGE TO:

A4700U4751	156-2453-01	MICROROCKT DIGITAL STORAGE HORIZONTAL (7L5 ONLY)
A4700U4751	156-2453-01	MICROROCKT DIGITAL STORAGE HORIZONTAL (7L5 OPT 12 ONLY)
A88U2020	156-2453-01	MICROROCKT DIGITAL STORAGE HORIZONTAL (7L14 ONLY)

Below is a partial of the Horizontal Digital Storage board showing the removal of R1040, C1041 and U1033. Precut pins 9, 11 and 12 on U1024B. Strap wire between holes 9 and 12 where leads used to be.



Date: 3/26/87
 Product: see list

Change Reference: M63002
 Manual Part No.: see list

Product Group: 26

Instr.	Part No.	Eff/SN
492/492P Service 2	070-3784-01	SN B056051
494/494P Service 2	070-4417-01	SN B011092
492A/492AP Service 2	070-5566-00	SN B010454
495/495P Service 2	070-5085-00	SN B010192
496/496P Service 2	070-3482-00	SN B021803
492/492P Option 6	070-4233-00	SN B621803
2754/2754P Service 2	070-6098-00	SN B010136
2755/2755P Service 2	070-6033-00	SN B010211



ELECTRICAL PARTS LIST AND SCHEMATIC CHANGES

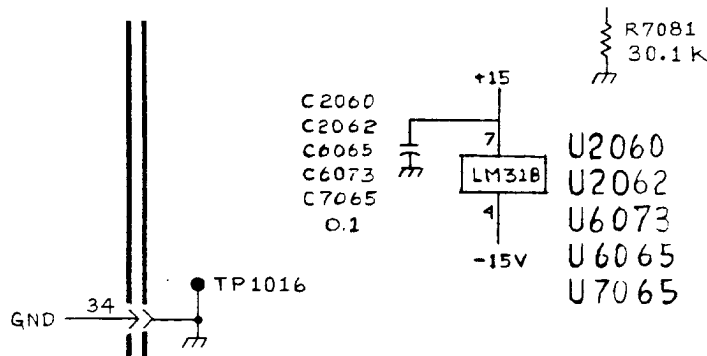
CHANGE TO:

A64 670-8083-02 CIRCUIT BD ASSY:DEFL AMP

ADD:

A64C2060	283-0167-00	CAP.,FXD,CER DI:0.1UF,10%,100V
A64C2062	283-0167-00	CAP.,FXD,CER DI:0.1UF,10%,100V
A64C6065	283-0167-00	CAP.,FXD,CER DI:0.1UF,10%,100V
A64C6073	283-0167-00	CAP.,FXD,CER DI:0.1UF,10%,100V
A64C7065	283-0167-00	CAP.,FXD,CER DI:0.1UF,10%,100V

Add C2060 and C2062 on backside of board between pins 3 and 7 of U2060 and U2062. Add C6065 and C6073 on back side of board between pins 3 and 7 of U6065 and U6073. Add C7065 on back side of board between pin 7 of U7065 and pin 3 of U7073. These added parts are located on the 670-8083-02 A64 Deflection Amplifiers board and are shown on diagram DEFLECTION AMPLIFIERS, shown below.



Date: 3/27/87
 Product: see list

Change Reference: M59806
 Manual Part No.: see list

Product Group: 26

Instr.	Part No.	Eff/SN	HORIZONTAL	VERTICAL
492/492P Service 2	070-3784-01	SN B056033	25	24
494/494P Service 2	070-4417-01	SN B011079	26	25
496/496P Service 2	070-3482-00	SN B021802	27	26
492/492P Option 6	070-4233-00	SN B621802	27	26

ELECTRICAL PARTS LIST AND SCHEMATIC CHANGES

CHANGE TO:

A60 670-5555-06 CIRCUIT BD ASSY:HORIZONTAL DIGITAL STORAGE

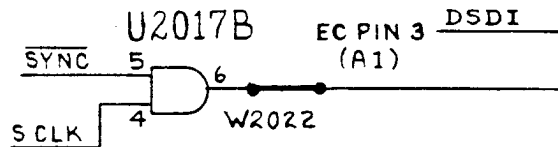
REMOVE:

A60C2020 283-0330-00 CAP,FXD,CER DI:100PF,5%,50V
 A60R2022 317-0102-00 RES,FXD,CMPSN:1K OHM,5%,0125W

ADD:

A60W2022 131-0566-00 BUS,COND:DUMMY RES,0.094 OD X 0.225L

The above parts are located on the A60 HORIZONTAL DIGITAL STORAGE board and shown on schematic HORIZONTAL DIGITAL STORAGE - Partial included:



CHANGE TO:

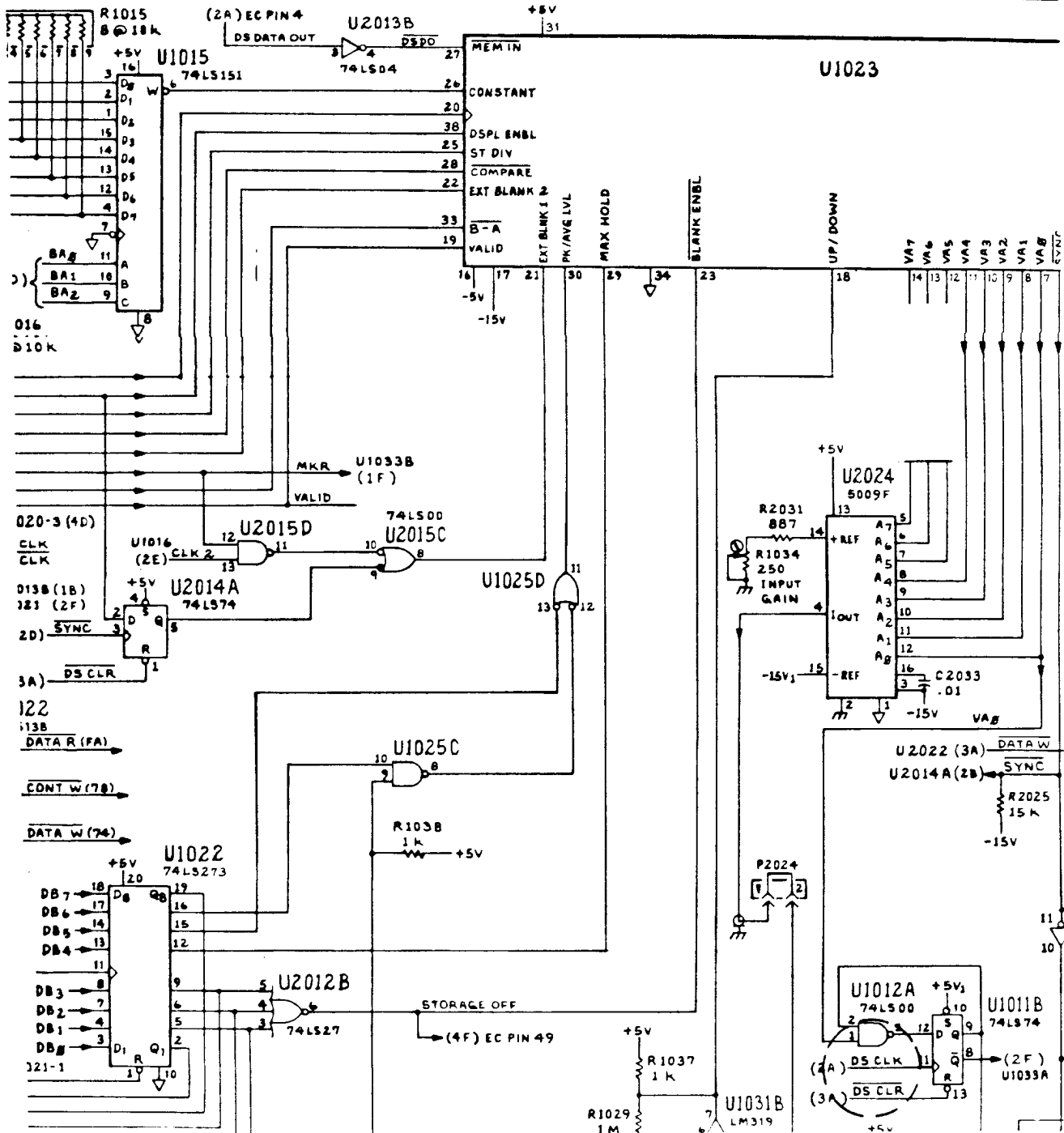
A61 670-5554-04 CIRCUIT BD ASSY:VERTICAL DIGITAL STORAGE
 A61U1023 156-2454-00 MICROCKT,DGTL:CMOS,GATE ARRAY

REMOVE:

A61C20Z0	283-0139-00	CAP,FXD,CER DI:150PF,20%,20V
A61R20Z0	321-0260-00	RES,FXD,FILM:4.99K OHM,1%,0.125W
A61R20Z5	317-0153-00	RES,FXD,CMPSN:15K OHM,5%,0.125W
A61U20Z0	156-0172-02	MICROCKT,DGTL:DUAL RETRIG MONOSTABLE MV

The removed parts, shown above, were located on the A61 VERTICAL DIGITAL STORAGE board, part of the revised schematic, VERTICAL DIGITAL STORAGE, is shown below after the changes.

Change DS CLK to DS CLK.



Date: 4-3-87
Product: 492/492P Service 2Change Reference: C10/487 Revised
Manual Part No.: 070-3784-01 Product Group: 26

*Revised 4-9-87**ELECTRICAL PARTS LIST AND BLOCK DIAGRAM CHANGES**

A 3dB fixed attenuator has been added to the L.O. input of the 1st converter.

REMOVE:

W118	175-2761-02	CABLE ASSY, RF:50 OHM COAX
------	-------------	----------------------------

ADD:

W117	174-0924-00	CABLE ASSY, RF:50 OHM COAX
A17	015-1053-01	ATTENUATOR, FXD:3dB PAD

The above parts apply to Option 03 only.

REMOVE:

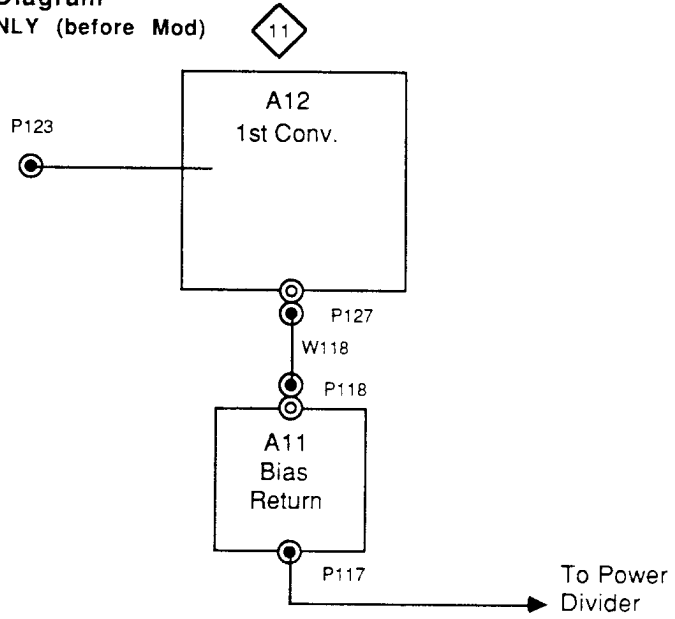
W130	175-2765-00	CABLE ASSY, RF:50 OHM COAX, 3.63 L
------	-------------	------------------------------------

ADD:

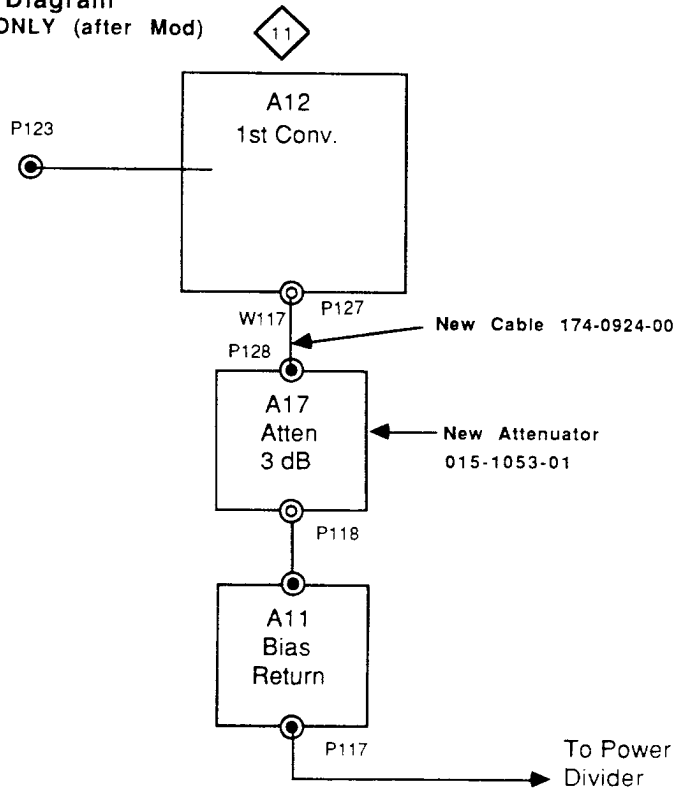
W127	175-3825-00	CABLE ASSY, RF:50 OHM COAX, 7.72 L
W128	175-3826-00	CABLE ASSY, RF:50 OHM COAX, 7.72 L
A15	015-1024-00	ATTENUATOR, FXD:3dB 0-6 GHz, SMA
	343-0549-00	STRAP, TIE DOWN

The above parts are located on the RF Deck Interconnect, diagram 11.
Diagram's showing before and after the modification are on the following pages.

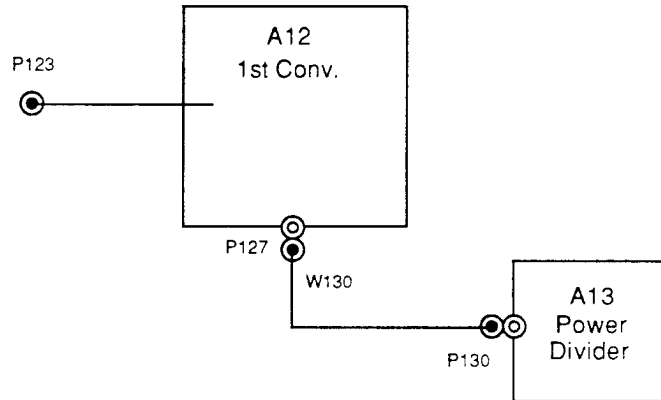
RF Interconnect Diagram
492/492P Option 3 ONLY (before Mod)



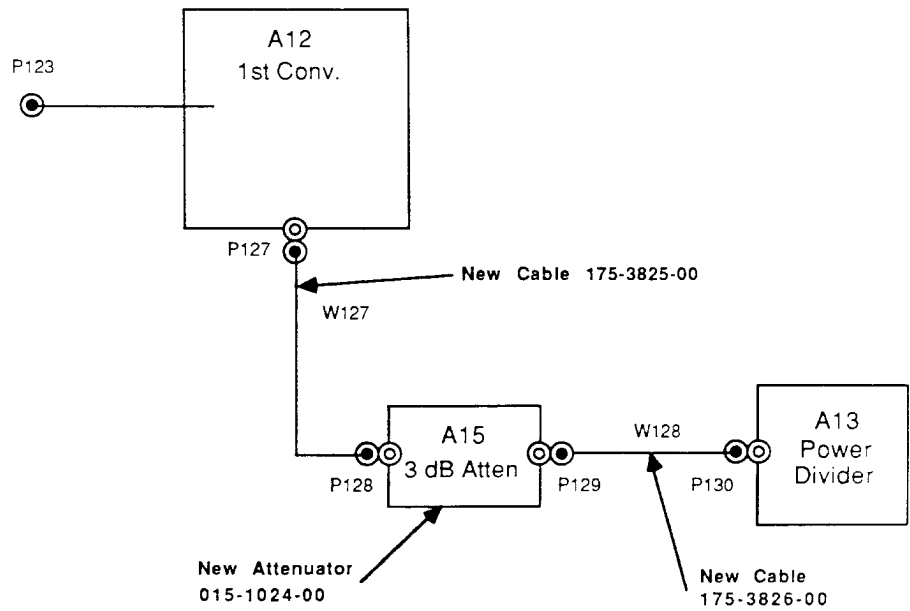
RF Interconnect Diagram
492/492P Option 3 ONLY (after Mod)



RF Interconnect Diagram
492/492P (before Mod)



RF Interconnect Diagram
492/492P (after Mod)



Date: 4/10/87
 Product: see list

Change Reference: M63459
 Manual Part No.: see list

Product Group: 26

Instr.	Part No.	Eff/SN
492/492P Service 2	070-3784-01	SN B056105
496/496P Service 2	070-3482-00	SN B021819
492/492P Option 6	070-4233-00	SN B621819



ELECTRICAL PARTS LIST AND SCHEMATIC CHANGES

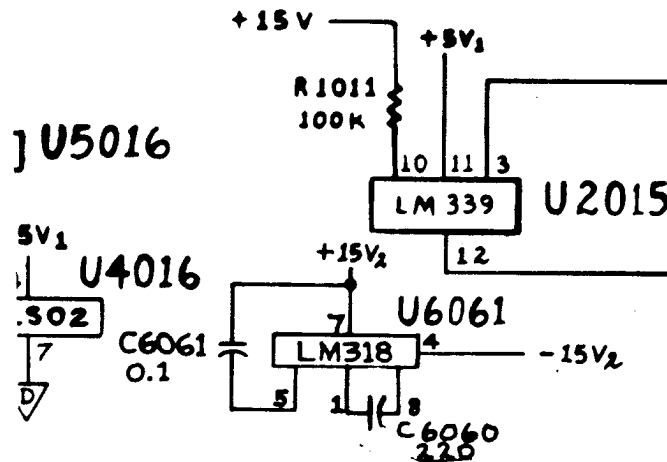
CHANGE TO:

A72 670-5549-05 CIRCUIT BD ASSY:SWEEP

ADD:

A72C6060 283-0108-00 CAP,FXD,CER DI:220PF,10%,200V

Add the C6060 between pins 1 and 8 of U6061 on back of board, shown on diagram SWEEP
 -- Partial included:



Date: 4/16/87
 Product: see list

Change Reference: M61497
 Manual Part No.: see list

Product Group: 26

Instr.	Part No.	Eff/SN
492/492P Service 2	070-3784-01	SN B055988
492A/492AP Service 2	070-5566-00	SN B010379
495/495P Service 2	070-5085-00	SN B010160
496/496P Service 2	070-3482-00	SN B021793
492/492P Option 6	070-4233-00	SN B621793

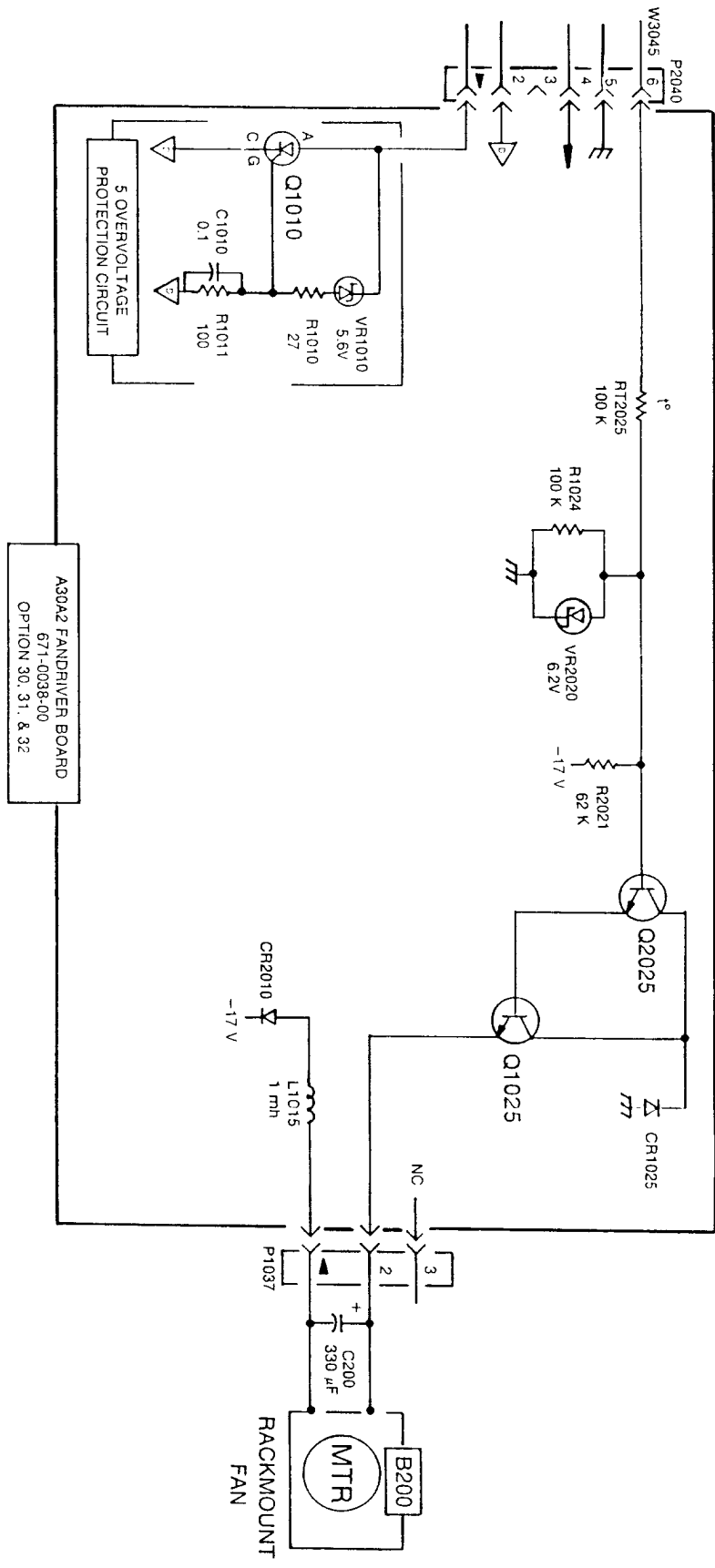
ELECTRICAL PARTS LIST AND SCHEMATIC CHANGES

CHANGE TO:

A30	621-0011-02	POWER SUPPLY ASSY: (495P OPTION 30,31,32 ONLY)
A30	621-0020-01	POWER SUPPLY ASSY: (492AP OPTION 30,31,32 ONLY)
A30	621-0021-01	POWER SUPPLY ASSY: (492A OPTION 30,31,32 ONLY)
A30	621-0032-01	POWER SUPPLY ASSY: (492AP OPTION 30,31,32 ONLY)
A30	621-0034-02	POWER SUPPLY: (495P OPTION 30,31,32,42 ONLY)
A30	621-0036-01	POWER SUPPLY ASSY: (495 OPTION 30,31,32 ONLY)
A30	621-0483-06	POWER SUPPLY ASSY: (492/496 OPTION 30,31,32 ONLY)
A30	621-0485-06	POWER SUPPLY ASSY: (492P/496P OPTION 30,31,32 ONLY)
A30A2	671-0038-00	CIRCUIT BD ASSY:RACKMOUNT FAN DRIVER (OPTION 30,31 & 32ONLY)
A30A2C1010	283-0024-00	CAP,FXD,CER DI:0.1UF,+80-20%,50V
A30A2CR1025	152-0066-00	SEMICON DVC,DI:RECT,SI,400V,1A,DO-41
A30A2CR2010	152-0066-00	SEMICON DVC,DI:RECT,SI,400V,1A,DO-41
A30A2L1015	108-0749-00	COIL,RF:FIXED,1MH
A30A2P1037	131-0608-00	TERMINAL,PIN:0.365 L X 0.025 PH 8RZ GOLD PL
A30A2P2040	131-0608-00	TERMINAL,PIN:0.365 L X 0.025 PH 8RZ GOLD PL
A30A2Q1010	151-0521-00	SCR,SI,MU-27 C122B
A30A2Q1025	151-0334-00	TRANSISTOR:NPN,SI,TO-126,SEL
A30A2Q2025	151-0302-00	TRANSISTOR:NPN,SI,TO-18
A30A2R1010	315-0270-00	RES,FXD,FILM:27 OHM,5%,0.25W
A30A2R1011	315-0101-00	RES,FXD,FILM:100 OHM,5%,0.25W
A30A2R1024	315-0104-00	RES,FXD,FILM:100K,5%,0.25W
A30A2R2021	315-0623-00	RES,FXD,FILM:62K OHM,5%,0.25W
A30A2R2025	307-0472-00	RES,THERMAL:100K OHM,5%,DISC NTC
A30A2VR1010	152-0175-00	SEMICON DVC,DI:ZEN,SI,5.6V,5%,0.4W
A30A2VR2025	152-0166-00	SEMICON DVC,DI:ZEN,SI,6.2V,5%,0.4W

RACKMOUNT FAN DRIVE OPTION 30, 31, 32 will be added to the pullout
 FANDRIVE CKT BD ILLUS, shown on the following page.

TO P3045



Date: 4/16/87
 Product: see list

Change Reference: M63532
 Manual Part No.: see list

Product Group: 26

Instr.	Part No.	Eff/SN
492/492P Service 2	070-3784-01	SN B056106
492A/492AP Service 2	070-5566-00	SN B010488
495/495P Service 2	070-5085-00	SN B010211
496/496P Service 2	070-3482-00	SN B021830
492/492P Option 6	070-4233-00	SN B621830
494A/494AP Service 2	070-5561-00	SN B010114
2753/2753P Service 2	070-6307-00	SN B010109
2755/2755P Service 2	070-6033-00	SN B010249
2756P Service 2	070-6319-00	SN B010122

ELECTRICAL PARTS LIST AND SCHEMATIC CHANGES

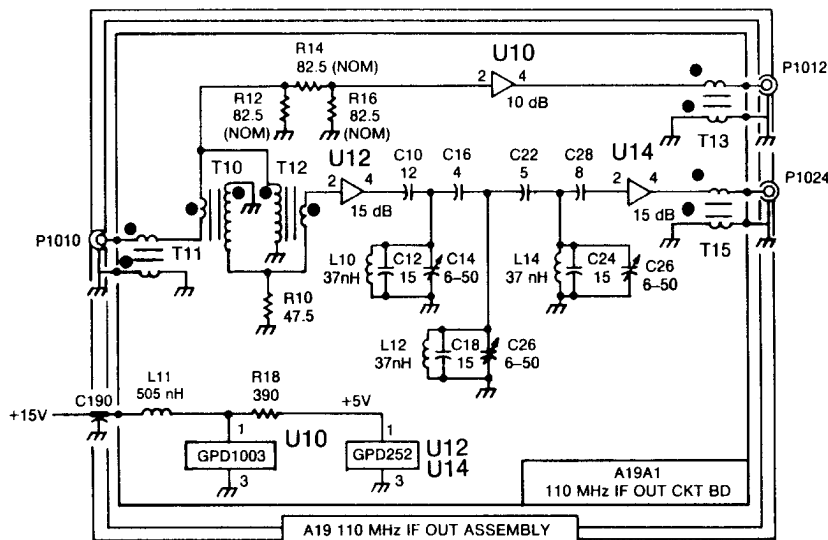
CHANGE TO:

A19	119-1845-03	110MHZ IF ASSY: (OPTION 42 ONLY)
A191A	670-8650-03	110MHZ IF OUT ASSY: (OPTION 42 ONLY)
A19R12	321-5046-00	RES.,FXD,FILM:82.5 OHM,1%,0.125W
A19R14	321-5046-00	RES.,FXD,FILM:82.5 OHM,1%,0.125W
A19R16	321-5046-00	RES.,FXD,FILM:82.5 OHM,1%,0.125W

ADD:

L11	108-0262-00	COIL,RF:FIXED,505NH ON FORM
T11	120-1760-00	TRANSFORMER,2 TURN,BIFILAR
T13	120-1760-00	TRANSFORMER,2 TURN,BIFILAR
T15	120-1760-00	TRANSFORMER,2 TURN,BIFILAR

The above parts are located on the A19A1 110 MHz IF OUT CKT BD and shown on A19 110 MHz IF OUT ASSY, back of schematic 829 MHz 2ND CONVERTER 16



Date: 4/24/87
 Product: see list

Change Reference: M62802
 Manual Part No.: see list

Product Group: 26

Instr.	Part No.	Eff/SN
492/492P Service 2	070-3784-01	SN B056010
496/496P Service 2	070-3482-00	SN B021795
492/492P Option 6	070-4233-00	SN B621795
492A/492AP Service 2	070-5566-00	SN B010175
2754/2754P Service 2	070-6098-00	SN B010115
2755/2755P Service 2	070-6033-00	SN B010190

ELECTRICAL PARTS LIST AND SCHEMATIC CHANGES

CHANGE TO:

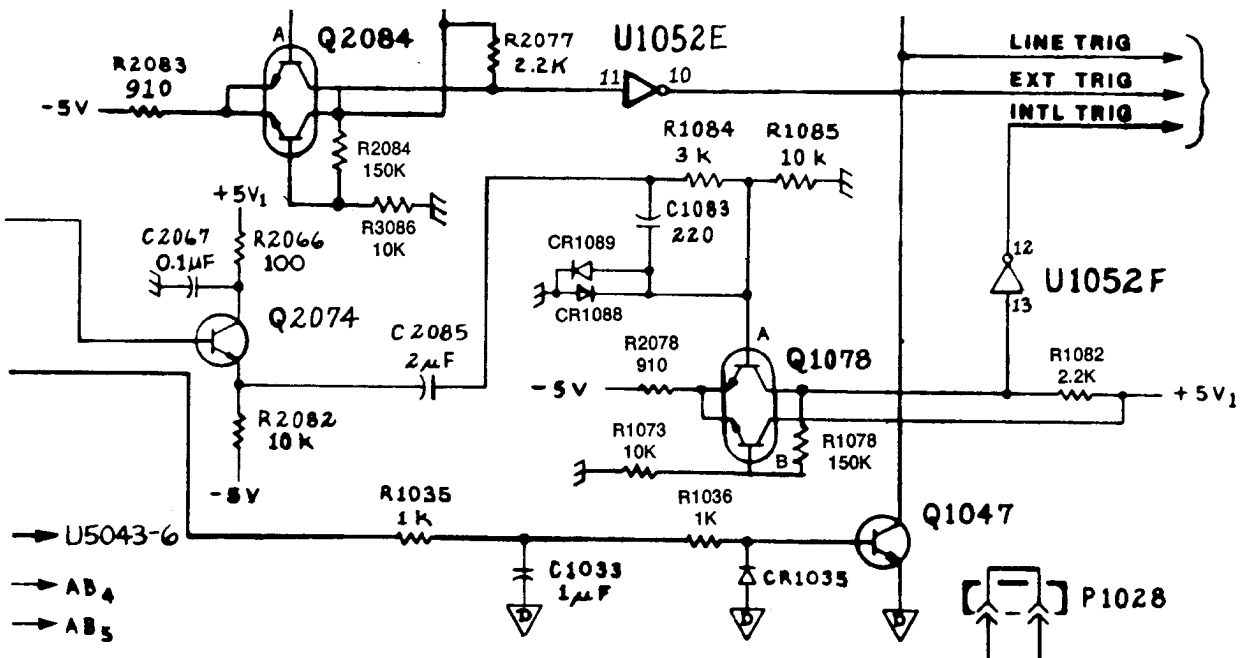
Below are changes for 492/492P, 496/496P & 492/492P OPTION 06

A72	670-5549-04	CIRCUIT BD ASSY:SWEEP
A72R1082	315-0222-00	RES,FXD,FILM:2.2K OHM,5%,0.25W
A72R2077	315-0222-00	RES,FXD,FILM:2.2K OHM,5%,0.25W
A72R2078	315-0911-00	RES,FXD,FILM:910 OHM,5%,0.25W
A72R2083	315-0911-00	RES,FXD,FILM:910 OHM,5%,0.25W

ADD:

A72R1078	317-0154-00	RES,FXD,FILM:150K OHM,5%,0.125W
A72R2084	317-0154-00	RES,FXD,FILM:150K OHM,5%,0.125W

Install R1078 and R2084 on back of board under Q1078 and Q2084.



492A/492AP, 495/495P, 2754/2754P & 2755/2755P

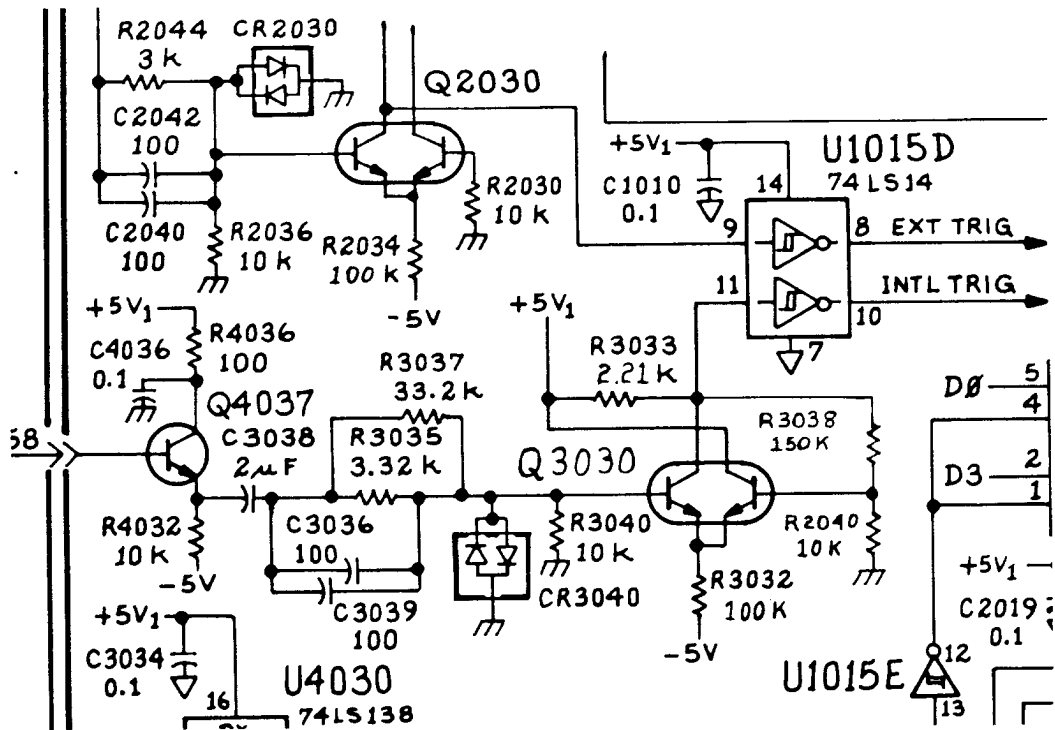
CHANGE TO:

A72	670-9090-03	CIRCUIT BD ASSY:SWEEP
A72R2034	321-5018-00	RES,FXD,FILM:100K,1%,0.125W
A72R3032	321-5018-00	RES,FXD,FILM:100K,1%,0.125W
A72R3033	321-5022-00	RES,FXD,FILM:2.21K,1%,0.125W

ADD:

A72R3038	317-0154-00	RES,FXD,FILM:150K,5%,0.125W
----------	-------------	-----------------------------

Install R3038 on back of board under Q3030.



Date: 09-18-87
Product: see list

Change Reference: M63756
Manual Part No: see list

Product Group: 26

<u>INSTRUMENT</u>	<u>PART NO.</u>	<u>EF/SN</u>
492/P service 2	070-3784-01	B056120
492/P opt. 6 service 2	070-4233-00	B621845
492A/AP service 2	070-5566-00	B010590
494/P service 2	070-4417-01	B010139
494A/AP service 2	070-5561-00	B010222
495/P service 2	070-5085-00	B010253
496/P service 2	070-3482-00	B021845
2753P service 2	070-6307-00	B010125
2754/P service 2	070-6098-00	B010177
2755/P service 2	070-6033-00	B010270
2756P service 2	070-6319-00	B010176

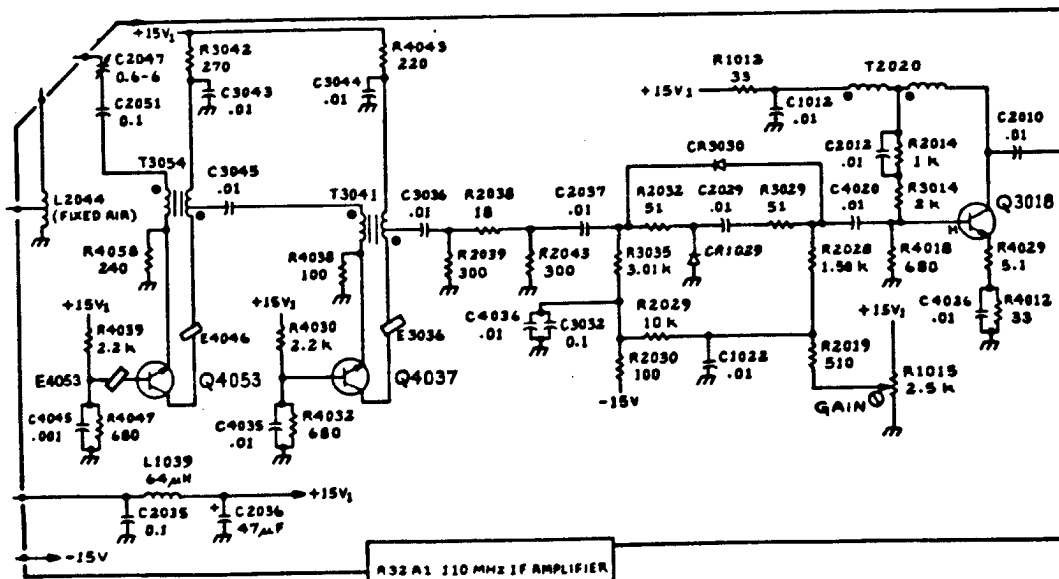
ELECTRICAL PARTS LIST CHANGES

CHANGE TO:

- | | | |
|-------------|-------------|----------------------------------|
| A32 | 119-1015-01 | Filter, Ampl: 110MHz |
| A32A1 | 670-5525-02 | CIRCUIT BD. ASSY: 110MHz IF Amp. |
| A32A1CR1029 | 152-0524-00 | Semi Cond. DVC, DI |
| A32A1CR3030 | | SW, SI, 100V, 0.1A, DO-35 |

ADD:

- | | | |
|------------|-------------|--|
| A32A1E4053 | 276-0569-00 | Core, EM Toroid, Ferrite
0.12 OD x 0.07 ID x 0.06 |
|------------|-------------|--|



Date: 11-25-87
 Product: See List

Change Reference: M65240
 Manual Part No: See List

Product Group: 26

INSTRUMENT	PART NO.	EFF/SN
492/P	070-3784-01	B056135
492/P OPT 6	070-4233-00	B621885
494/P	070-4417-01	B010156
496/P	070-3482-00	B021885

MECHANICAL PARTS LIST CHANGES

CHANGE TO:

FIG

4-47	352-0512-05	HOLDER,CKT BD
4-58	352-0512-05	(492/P ONLY)
4-97	352-0512-05	
4-107	352-0512-05	
4-123	352-0512-05	
7-13	352-0782-00	
7-78	352-0512-05	
7-94	352-0512-05	
4-44	352-0512-05	HOLDER,CKT BD
4-54	352-0512-05	(492/P OPT. 6 ONLY)
4-66	352-0512-03	
4-89	352-0512-05	
4-97	352-0512-05	
4-113	352-0512-05	
7-65	352-0512-05	
7-80	352-0512-05	
5-53	352-0782-00	HOLDER,CKT BD
5-66	352-0512-05	(494/P ONLY)
5-81	352-0512-05	
5-94	352-0512-05	
5-156	352-0512-05	
5-171	352-0512-05	
5-204	352-0512-05	
5-240	352-0512-05	
5-249	352-0512-05	
4-44	352-0512-05	HOLDER,CKT BD
4-58	352-0512-05	(496/P ONLY)
4-70	352-0512-05	
4-93	352-0512-03	
4-101	352-0512-05	
4-117	352-0512-05	
7-65	352-0512-05	
7-80	352-0512-05	

There are no figure and index numbers for the part numbers below.

<u>REMOVE:</u>	<u>ADD:</u>	<u>DESCRIPTION:</u>
672-0808-00	672-0808-01	CRT READOUT CKT BD ASSY (492/P, 492/P OPT. 6, & 496/P ONLY)
672-0809-04	672-0165-00	CENTER FREQ. CONTROL C.B.A (492/P, 492/P OPT.6, 496/P & 494/P ONLY)
672-0810-02	672-0810-03	LOG AMP CKT BD ASSY (492/P, 492/P OPT. 6 & 496/P ONLY)
672-0811-00	672-0157-00	SPAN ATTEN CKT BD ASSY (492/P, 492/P OPT.6, 496/P & 494/P ONLY)
672-0812-03	672-0812-04	1ST LO DRIVER CKT BD ASSY (494/P ONLY)
672-0814-01	672-0814-02	O LOCK DRIVER CKT BD ASSY (492/P OPT. 6 & 496/P ONLY)
672-0815-03	672-0166-01	PRESELECTOR DRIVER C.B.A. (492/P & 494/P ONLY)
672-0816-03	672-0816-04	DIG. STORAGE CKT BD ASSY (492/P, 492/P OPT.6, 496/P & 494/P ONLY)
672-0941-00	672-0941-01	1ST LO DRIVER CKT BD ASSY (492/P OPT. 6 & 496/P ONLY)
672-1096-00	672-0159-00	CRT READOUT CKT BD ASSY (494/P ONLY)
672-1097-01	672-0164-00	COUNTER/SHIELD CKT BD ASSY (494/P ONLY)
672-1098-04	672-0160-00	AUX SYN CKT BD ASSY (494/P ONLY)
672-1133-02	672-0162-02	DEFLECTION CKT BD ASSY (492/P, 492/P OPT.6, 496/P & 494/P ONLY)

Date: 11-30-87
Product: 492/492PChange Reference: M65282
Manual Part No: 070-3784-01Product Group: 26

EFF/SN B056133

ELECTRICAL PARTS LIST CHANGES**CHANGE TO:**

A30A1	670-5564-05	CIRCUIT BD ASSY:POWER SPLY
A30	621-0012-03	POWER SUPPLY:492 OPTION 30, 31, 32 & 42 ONLY
A30	621-0013-03	POWER SUPPLY:492P OPTION 30, 31, 32 & 42 ONLY
A30	621-0009-02	POWER SUPPLY:492P OPTION 42 ONLY
A30	621-0485-07	POWER SUPPLY:492P OPTION 30, 31 & 32 ONLY
A30	621-0481-04	POWER SUPPLY:492P ONLY
A30	621-0010-01	POWER SUPPLY:492 OPTION 42 ONLY
A30	621-0483-07	POWER SUPPLY:492 OPTION 30, 31 & 32 ONLY
A30	621-0488-04	POWER SUPPLY:492 ONLY
A30A1R3034	321-0367-00	RES,FXD,FILM 64.9K OHM,1%,0.125W
A30A1R3038	321-0353-00	RES,FXD,FILM 46.4K OHM,1%,0.125W

Date: 12-21-87
Product: See listChange Reference: M65465 REVISED
Manual Part No: See listProduct Group: 26

INSTRUMENT	PART NO.	EFF/SN
492/P	070-3784-01	B056133
492/P OPT 6	070-4233-00	B621885
492A/P	070-5566-00	B010663
494A/P	070-5561-00	B010258, B010263, & B010274 and up
494/P	070-4417-01	B011155
495/P	070-5085-00	B020101
496/P	070-3482-00	B021885
2753P	070-6307-00	B020100
2754/P	070-6098-00	B010199
2755/P	070-6033-00	B010290
2756P	070-6319-00	B010198

ELECTRICAL PARTS LIST CHANGES**CHANGE TO:**

A70 670-5557-03 CIRCUIT BD ASSY:Z-AXIS (492/P, 496/P & 492/P OPT 6 ONLY)
A70 670-9932-01 CIRCUIT BD ASSY:Z-AXIS (494A/P, 495/P, 2753P & 2756P ONLY)
A70 670-7919-04 CIRCUIT BD ASSY:Z-AXIS (492A/P, 494/P, 2754/P & 2755/P ONLY)

ADD:

A70CR3028 152-0141-02 SEMICOND DVC,DI,SW,SI,30V,150MA,DO-35

INSTALL ON BACK OF BOARD CR3028 (152-0141-02) BETWEEN EMITTER-COLLECTOR POINTS OF Q3028, WITH THE CATHODE OF THE DIODE GOING TO THE EMITTER AND THE ANODE GOING TO THE COLLECTOR.

Date: 1-11-88

Change Reference: M63321

Product: See list

Manual Part No: See list

Product Group: 26

INSTRUMENT	PART NO.	EFF/SN
492/P Service 2	070-3784-01	B056138
492P/6 Service 2	070-4233-00	B621887
494/P Service 2	070-4417-01	B011155
495/P Service 2	070-5085-00	B020165
496/P Service 2	070-3482-00	B021887
492A/P Service 2	070-5566-00	B010679
494A/P Service 2	070-5561-00	B010344
2753P Service 2	070-6307-00	B020104
2754/P Service 2	070-6098-00	B010206
2755/P Service 2	070-6033-00	B010291
2756P Service 2	070-6319-00	B010204

ELECTRICAL PARTS LIST CHANGES**CHANGE TO:**

A51U4074 156-0720-02 MICROCKT,DGTL (492/P, 492/P opt 6, & 496/P Only)

A51U2030 156-0720-02 MICROCKT,DGTL (All other instruments EXCEPT the three listed above)

Date: 2-22-88

Change Reference: M63911

Product: see list

Manual Part No: see list

Product Group: 26

Instrument	Manual	Eff/SN
492/P service 2	070-3784-01	B056139
492/P 6 service 2	070-4233-00	B621912
494/P service 2	070-4417-01	B011156
495/P service 2	070-5085-00	B020228
496/P service 2	070-3482-00	B021912
492A/AP service 2	070-5566-01	B010702
494A/AP service 2	070-5561-00	B010383

Electrical Parts List

Change to:

<u>Component No.</u>	<u>Part No.</u>	<u>Name & Description</u>
A64	672-0162-03	CIRCUIT BD ASSY:DEFLECTION AMP
A64A1	671-0372-00	CIRCUIT BD ASSY:DEFLECTION AMP
A64A1C1030	281-0226-00	CAP,VAR,PLASTIC:5.5-65PF,100V
A64A1C1040	281-0226-00	CAP,VAR,PLASTIC:5.5-65PF,100V
A64A1C1066	283-0158-00	CAP,FXD,CER DI: 1PF,+/-0.1PF,50V
A64A1C1100	283-0187-00	CAP,FXD,CER DI:0.047UF,10%,400
A64A1C2010	281-0538-00	CAP,FXD,CER DI:1PF,20%,500V
A64A1C2028	281-0898-00	CAP,FXD,CER DI:7.5PF,+/-0.5PF,500V
A64A1C2031	281-0898-00	CAP,FXD,CER DI:7.5PF,+/-0.5PF,500V
A64A1C2047	281-0538-00	CAP,FXD,CER DI:1PF,20%,500V
A64A1C2055	283-0167-00	CAP,FXD,CER DI:0.1UF,10%,100V
A64A1C2056	283-0330-00	CAP,FXD,CER DI:100PF,5%50V
A64A1C2062	283-0167-00	CAP,FXD,CER DI:0.1UF,10%,100V
A64A1C3030	283-0167-00	CAP,FXD,CER DI:0.1UF,10%,100V
A64A1C3031	283-0167-00	CAP,FXD,CER DI:0.1UF,10%,100V
A64A1C3046	283-0187-00	CAP,FXD,CER DI:0.047UF,10%,400
A64A1C3060	281-0226-00	CAP,VAR,PLASTIC:5.5-65PF,100V
A64A1C3068	283-0187-00	CAP,FXD,CER DI:0.047UF,10%,400
A64A1C3075	283-0187-00	CAP,FXD,CER DI:0.047UF,10%,400
A64A1C3080	281-0226-00	CAP,VAR,PLASTIC:5.5-65PF,100V
A64A1C3092	283-0167-00	CAP,FXD,CER DI:0.1UF,10%,100V
A64A1C3095	281-0538-00	CAP,FXD,CER DI:1PF,20%,500V
A64A1C3100	281-0538-00	CAP,FXD,CER DI:1PF,20%,500V
A64A1C3115	283-0187-00	CAP,FXD,CER DI:0.047UF,10%,400
A64A1C4028	283-0187-00	CAP,FXD,CER DI:0.047UF,10%,400
A64A1C4029	283-0167-00	CAP,FXD,CER DI:0.1UF,10%,100V
A64A1C4030	283-0187-00	CAP,FXD,CER DI:0.047UF,10%,400
A64A1C4031	283-0187-00	CAP,FXD,CER DI:0.047UF,10%,400
A64A1C4048	283-0167-00	CAP,FXD,CER DI:0.1UF,10%,100V
A64A1C4085	281-0898-00	CAP,FXD,CER DI:7.5PF,+/-0.5PF,500V
A64A1C4092	281-0898-00	CAP,FXD,CER DI:7.5PF,+/-0.5PF,500V
A64A1C4096	281-0538-00	CAP,FXD,CER DI:1PF,20%,500V
A64A1C4108	283-0167-00	CAP,FXD,CER DI:0.1UF,10%,100V
A64A1C5070	283-0167-00	CAP,FXD,CER DI:0.1UF,10%,100V
A64A1C5071	281-0811-00	CAP,FXD,CER DI:10.PF,10%,100V
A64A1C6058	283-0167-00	CAP,FXD,CER DI:0.1UF,10%,100V

<u>Component No.</u>	<u>Part No.</u>	<u>Name & Description</u>
A64A1C6065	283-0167-00	CAP,FXD,CER DI:0.1UF,10%,100V
A64A1C6073	283-0167-00	CAP,FXD,CER DI:0.1UF,10%,100V
A64A1C6078	283-0181-00	CAP,FXD,CER DI:1.8PF,+/-0.1%,100V
A64A1C7020	283-0189-00	CAP,FXD,CER DI:.1UF,20%,400V
A64A1C7025	283-0189-00	CAP,FXD,CER DI:.1UF,20%,400V
A64A1C7035	283-0065-00	CAP,FXD,CER DI:.001UF,5%,100V
A64A1C7061	283-0177-00	CAP,FXD,CER DI:1UF,+80-20%,25V
A64A1C7071	283-0177-00	CAP,FXD,CER DI:1UF,+80-20%,25V
A64A1C7073	283-0177-00	CAP,FXD,CER DI:1UF,+80-20%,25V
A64A1C7085	283-0177-00	CAP,FXD,CER DI:1UF,+80-20%,25V
A64A1C7090	283-0177-00	CAP,FXD,CER DI:1UF,+80-20%,25V
A64A1C7100	283-0177-00	CAP,FXD,CER DI:1UF,+80-20%,25V
A64A1CR1080	152-0141-02	SEMICON DVC, DI:SW,SI,30V,150OMA,DO-35
A64A1CR1100	152-0141-02	SEMICON DVC, DI:SW,SI,30V,150OMA,DO-35
A64A1CR2020	152-0141-02	SEMICON DVC, DI:SW,SI,30V,150OMA,DO-35
A64A1CR2040	152-0141-02	SEMICON DVC, DI:SW,SI,30V,150OMA,DO-35
A64A1CR3040	152-0141-02	SEMICON DVC, DI:SW,SI,30V,150OMA,DO-35
A64A1CR4020	152-0141-02	SEMICON DVC, DI:SW,SI,30V,150OMA,DO-35
A64A1CR4051	152-0141-02	SEMICON DVC, DI:SW,SI,30V,150OMA,DO-35
A64A1CR4052	152-0141-02	SEMICON DVC, DI:SW,SI,30V,150OMA,DO-35
A64A1CR4056	152-0141-02	SEMICON DVC, DI:SW,SI,30V,150OMA,DO-35
A64A1CR4058	152-0141-02	SEMICON DVC, DI:SW,SI,30V,150OMA,DO-35
A64A1CR4063	152-0141-02	SEMICON DVC, DI:SW,SI,30V,150OMA,DO-35
A64A1CR4064	152-0141-02	SEMICON DVC, DI:SW,SI,30V,150OMA,DO-35
A64A1CR4080	152-0141-02	SEMICON DVC, DI:SW,SI,30V,150OMA,DO-35
A64A1CR4100	152-0141-02	SEMICON DVC, DI:SW,SI,30V,150OMA,DO-35
A64A1CR5054	152-0141-02	SEMICON DVC, DI:SW,SI,30V,150OMA,DO-35
A64A1CR5055	152-0141-02	SEMICON DVC, DI:SW,SI,30V,150OMA,DO-35
A64A1L7061	108-0395-00	COIL,RF:FIXED,646H
A64A1L7069	108-0395-00	COIL,RF:FIXED,646H
A64A1L7090	108-0395-00	COIL,RF:FIXED,646H
A64A1L7100	108-0395-00	COIL,RF:FIXED,646H
A64A1Q1070	151-1246-00	TRANS,PWR MOSFET, P CHAN, 400V,10-220
A64A1Q1090	151-1246-00	TRANS,PWR MOSFET, P CHAN, 400V,10-220
A64A1Q4010	151-1246-00	TRANS,PWR MOSFET, P CHAN, 400V,10-220
A64A1Q4040	151-1246-00	TRANS,PWR MOSFET, P CHAN, 400V,10-220
A64A1Q2070	151-1258-00	TRANS,PWR MOSFET, N CHAN, 400V,10-220
A64A1Q2075	151-0220-00	TRANS:PNP,SI,TO-92
A64A1Q2090	151-1258-00	TRANS,PWR MOSFET, N CHAN, 400V,10-220
A64A1Q2095	151-0220-00	TRANS:PNP,SI,TO-92
A64A1Q3026	151-0220-00	TRANS:PNP,SI,TO-92
A64A1Q3027	151-0190-00	TRANS:NPN,SI,TO-92
A64A1Q3046	151-0220-00	TRANS:PNP,SI,TO-92
A64A1Q3047	151-0190-00	TRANS:NPN,SI,TO-92
A64A1Q3090	151-0220-00	TRANS:PNP,SI,TO-92
A64A1Q3095	151-0190-00	TRANS:NPN,SI,TO-92
A64A1Q4020	151-1258-00	TRANS,PWR MOSFET, N CHAN, 400V,10-220
A64A1Q4030	151-1258-00	TRANS,PWR MOSFET, N CHAN, 400V,10-220
A64A1Q4078	151-0220-00	TRANS:PNP,SI,TO-92
A64A1Q5020	151-0220-00	TRANS:PNP,SI,TO-92
A64A1Q5040	151-0220-00	TRANS:PNP,SI,TO-92
A64A1Q5090	151-0190-00	TRANS:NPN,SI,TO-92
A64A1Q5095	151-0220-00	TRANS:PNP,SI,TO-92
A64A1R1010	315-0102-00	RES,FXD,FILM:1K OHM,5%,0.25W
A64A1R1020	315-0153-00	RES,FXD,FILM:15K OHM,5%,0.25W MI
A64A1R1022	321-0378-00	RES,FXD,FILM:84.5K OHM,1%,0.125W TC=TO
A64A1R1025	321-0347-00	RES,FXD,FILM:40.2K OHM,1%,0.125W TC=TO

<u>Component No.</u>	<u>Part No.</u>	<u>Name & Description</u>
A64A1R1038	315-0153-00	RES,FXD,FILM:15K OHM,5%,0.25W MI
A64A1R1039	321-0347-00	RES,FXD,FILM:40.2K OHM,1%,0.125W TC=TO
A64A1R1055	311-1245-00	RES,VAR,NONWW:TRMR,10K OHM,0.5W
A64A1R1066	311-1245-00	RES,VAR,NONWW:TRMR,10K OHM,0.5W
A64A1R1085	315-0103-00	RES,FXD,FILM:10K OHM,5%,0.25W
A64A1R1086	315-0221-00	RES,FXD,FILM:220 OHM,5%,0.25W MI
A64A1R1088	321-0286-00	RES,FXD,FILM:9.31K OHM,1%,0.125W TC=TO
A64A1R1090	321-0264-00	RES,FXD,FILM:5.49K OHM,1%,0.125W TC=TO
A64A1R1100	315-0560-00	RES,FXD,FILM:560 OHM,5%,0.25W MI
A64A1R1105	315-0103-00	RES,FXD,FILM:10K OHM,5%,0.25W
A64A1R2010	315-0102-00	RES,FXD,FILM:1K OHM,5%,0.25W
A64A1R2020	321-0378-00	RES,FXD,FILM:84.5K OHM,1%,0.125W TC=TO
A64A1R2028	315-0391-00	RES,FXD,FILM:390 OHM,5%,0.25W MI
A64A1R2031	321-0347-00	RES,FXD,FILM:40.2K OHM,1%,0.125W TC=TO
A64A1R2035	315-0391-00	RES,FXD,FILM:390 OHM,5%,0.25W MI
A64A1R2041	321-0378-00	RES,FXD,FILM:84.5K OHM,1%,0.125W TC=TO
A64A1R2049	321-0620-00	RES,FXD,FILM:800K OHM,1%,0.5M TC=TO
A64A1R2057	321-0372-00	RES,FXD,FILM:73.2K OHM,1%,0.125W TC=TO
A64A1R2059	321-0415-00	RES,FXD,FILM:205K OHM,1%,0.125W TC=TO
A64A1R2062	321-0409-00	RES,FXD,FILM:178K OHM,1%,0.125W TC=TO
A64A1R2066	321-0382-00	RES,FXD,FILM:93.1K OHM,1%,0.125W TC=TO
A64A1R2079	315-0560-00	RES,FXD,FILM:560 OHM,5%,0.25W MI
A64A1R2082	315-0102-00	RES,FXD,FILM:1K OHM,5%,0.25W
A64A1R2086	321-0172-00	RES,FXD,FILM:604 OHM,1%,0.125W TC=TO
A64A1R2108	315-0102-00	RES,FXD,FILM:1K OHM,5%,0.25W
A64A1R3010	321-0620-00	RES,FXD,FILM:800K OHM,1%,0.5M TC=TO
A64A1R3024	315-0301-00	RES,FXD,FILM:300 OHM,5%,0.25W MI
A64A1R3025	315-0621-00	RES,FXD,FILM:620 OHM,5%,0.25W MI
A64A1R3030	315-0470-00	RES,FXD,FILM:47 OHM,5%,0.25W
A64A1R3038	315-0621-00	RES,FXD,FILM:620 OHM,5%,0.25W MI
A64A1R3040	315-0301-00	RES,FXD,FILM:300 OHM,5%,0.25W MI
A64A1R3047	315-0560-00	RES,FXD,FILM:560 OHM,5%,0.25W MI
A64A1R3070	321-0620-00	RES,FXD,FILM:800K OHM,1%,0.5M TC=TO
A64A1R3084	315-0621-00	RES,FXD,FILM:620 OHM,5%,0.25W MI
A64A1R3085	301-0434-00	RES,FXD,FILM:430K OHM,5%,0.5W
A64A1R3099	315-0560-00	RES,FXD,FILM:560 OHM,5%,0.25W MI
A64A1R3107	315-0221-00	RES,FXD,FILM:220 OHM,5%,0.25W MI
A64A1R3108	321-0172-00	RES,FXD,FILM:604 OHM,1%,0.125W TC=TO
A64A1R3110	321-0286-00	RES,FXD,FILM:9.31K OHM,1%,0.125W TC=TO
A64A1R4020	315-0103-00	RES,FXD,FILM:10K OHM,5%,0.25W
A64A1R4040	315-0221-00	RES,FXD,FILM:220 OHM,5%,0.25W MI
A64A1R4045	315-0560-00	RES,FXD,FILM:560 OHM,5%,0.25W MI
A64A1R4046	321-0286-00	RES,FXD,FILM:9.31K OHM,1%,0.125W TC=TO
A64A1R4047	315-0103-00	RES,FXD,FILM:10K OHM,5%,0.25W
A64A1R4049	301-0434-00	RES,FXD,FILM:430K OHM,5%,0.5W
A64A1R4051	321-0286-00	RES,FXD,FILM:9.31K OHM,1%,0.125W TC=TO
A64A1R4052	321-0318-00	RES,FXD,FILM:20.0K OHM,1%,0.125W TC=TO
A64A1R4059	321-0379-00	RES,FXD,FILM:86.6K OHM,1%,0.125W TC=TO
A64A1R4061	321-0280-00	RES,FXD,FILM:8.06K OHM,1%,0.125W TC=TO
A64A1R4062	321-0286-00	RES,FXD,FILM:9.31K OHM,1%,0.125W TC=TO
A64A1R4064	321-0318-00	RES,FXD,FILM:20.0K OHM,1%,0.125W TC=TO
A64A1R4065	321-0416-00	RES,FXD,FILM:210K OHM,1%,0.125W TC=TO
A64A1R4067	321-0282-00	RES,FXD,FILM:8.45K OHM,1%,0.125W TC=TO
A64A1R4069	321-0416-00	RES,FXD,FILM:210K OHM,1%,0.125W TC=TO
A64A1R4072	315-0153-00	RES,FXD,FILM:15K OHM,5%,0.25W MI
A64A1R4074	321-0378-00	RES,FXD,FILM:84.5K OHM,1%,0.125W TC=TO
A64A1R4076	321-0378-00	RES,FXD,FILM:84.5K OHM,1%,0.125W TC=TO

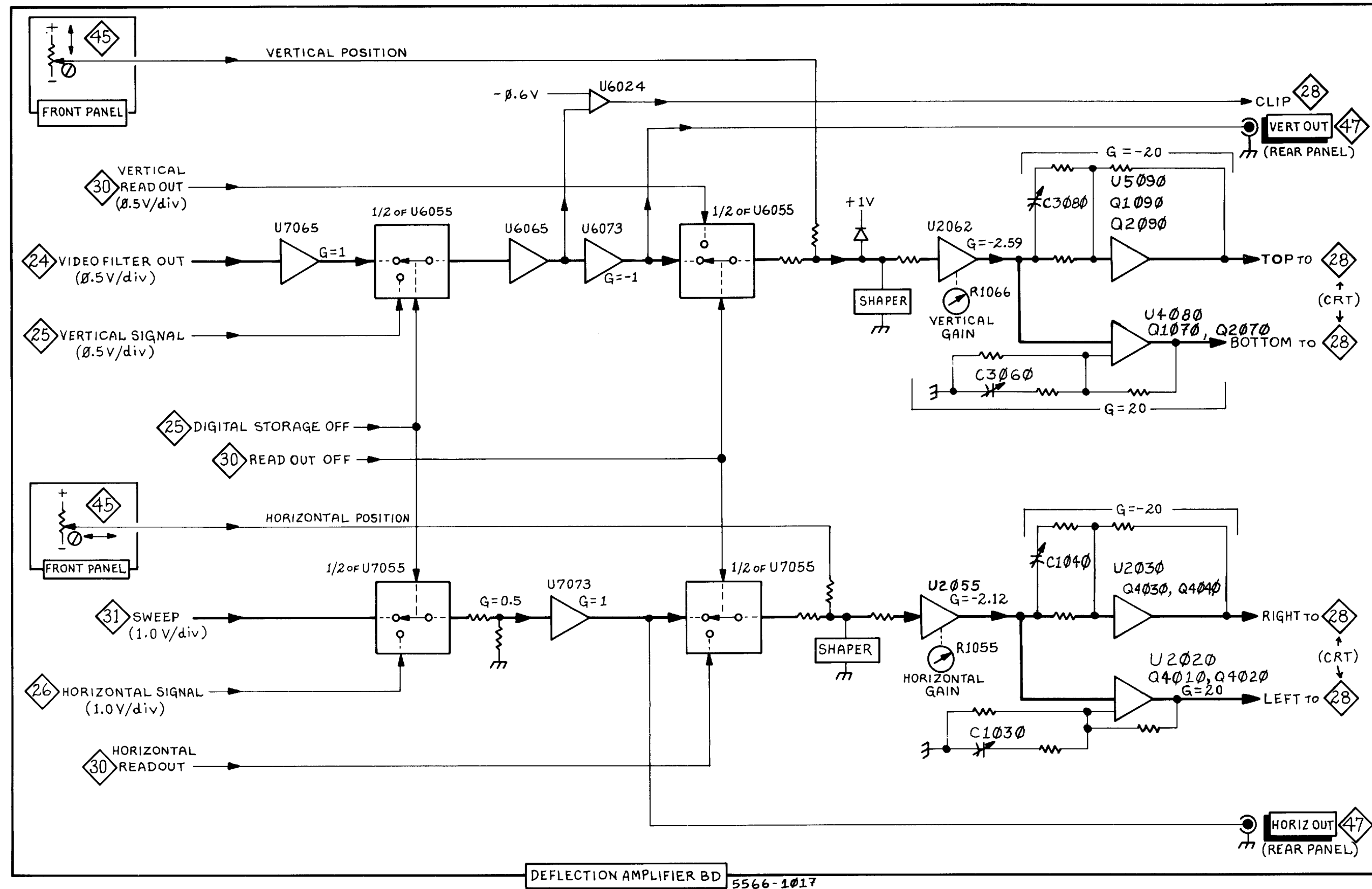
<u>Component No.</u>	<u>Part No.</u>	<u>Name & Description</u>
A64A1R4079	321-0347-00	RES,FXD,FILM:40.2K OHM,1%,0.125W TC=TO
A64A1R4088	315-0391-00	RES,FXD,FILM:390 OHM,5%,0.25W MI
A64A1R4089	315-0301-00	RES,FXD,FILM:300 OHM,5%,0.25W MI
A64A1R4091	321-0347-00	RES,FXD,FILM:40.2K OHM,1%,0.125W TC=TO
A64A1R4092	321-0347-00	RES,FXD,FILM:40.2K OHM,1%,0.125W TC=TO
A64A1R4099	315-0391-00	RES,FXD,FILM:390 OHM,5%,0.25W MI
A64A1R4105	321-0264-00	RES,FXD,FILM:5.49K OHM,1%,0.125W TC=TO
A64A1R4110	301-0434-00	RES,FXD,FILM:430K OHM,5%,0.5W
A64A1R5010	315-0560-00	RES,FXD,FILM:560 OHM,5%,0.25W MI
A64A1R5020	311-1245-00	RES,VAR,NONWW:TRMR,10K OHM,0.5W
A64A1R5025	321-0286-00	RES,FXD,FILM:9.31K OHM,1%,0.125W TC=TO
A64A1R5030	311-1245-00	RES,VAR,NONWW:TRMR,10K OHM,0.5W
A64A1R5032	321-0210-00	RES,FXD,FILM:1.50K OHM,1%,0.125W TC=TO
A64A1R5034	315-0221-00	RES,FXD,FILM:220 OHM,5%,0.25W MI
A64A1R5036	321-0264-00	RES,FXD,FILM:5.49K OHM,1%,0.125W TC=TO
A64A1R5038	321-0264-00	RES,FXD,FILM:5.49K OHM,1%,0.125W TC=TO
A64A1R5045	321-0210-00	RES,FXD,FILM:1.50K OHM,1%,0.125W TC=TO
A64A1R5053	321-0335-00	RES,FXD,FILM:30.1K OHM,1%,0.125W TC=TO
A64A1R5056	321-0424-00	RES,FXD,FILM:255K OHM,1%,0.125W TC=TO
A64A1R5057	321-0412-00	RES,FXD,FILM:191K OHM,1%,0.125W TC=TO
A64A1R5058	321-0215-00	RES,FXD,FILM:1.69K OHM,1%,0.125W TC=TO
A64A1R5059	321-0412-00	RES,FXD,FILM:191K OHM,1%,0.125W TC=TO
A64A1R5062	321-0379-00	RES,FXD,FILM:86.6K OHM,1%,0.125W TC=TO
A64A1R5070	321-0420-00	RES,FXD,FILM:232K OHM,1%,0.125W TC=TO
A64A1R5078	315-0470-00	RES,FXD,FILM:47 OHM,5%,0.25W
A64A1R5083	321-0398-00	RES,FXD,FILM:137K OHM,1%,0.125W TC=TO
A64A1R5086	321-0424-00	RES,FXD,FILM:255K OHM,1%,0.125W TC=TO
A64A1R5087	321-0285-00	RES,FXD,FILM:9.09K OHM,1%,0.125W TC=TO
A64A1R5090	315-0153-00	RES,FXD,FILM:15K OHM,5%,0.25W MI
A64A1R5092	321-0378-00	RES,FXD,FILM:84.5K OHM,1%,0.125W TC=TO
A64A1R5097	315-0301-00	RES,FXD,FILM:300 OHM,5%,0.25W MI
A64A1R5098	315-0621-00	RES,FXD,FILM:620 OHM,5%,0.25W MI
A64A1R6010	301-0434-00	RES,FXD,FILM:430K OHM,5%,0.5W
A64A1R6015	315-0104-00	RES,FXD,FILM:100K OHM,5%,0.25W
A64A1R6020	321-0439-00	RES,FXD,FILM:365K OHM,1%,0.125W TC=TO
A64A1R6024	321-0338-00	RES,FXD,FILM:32.4K OHM,1%,0.125W TC=TO
A64A1R6065	315-0102-00	RES,FXD,FILM:1K OHM,5%,0.25W
A64A1R6070	321-0335-00	RES,FXD,FILM:30.1K OHM,1%,0.125W TC=TO
A64A1R6071	321-0335-00	RES,FXD,FILM:30.1K OHM,1%,0.125W TC=TO
A64A1R6077	321-0335-00	RES,FXD,FILM:30.1K OHM,1%,0.125W TC=TO
A64A1R6078	321-0335-00	RES,FXD,FILM:30.1K OHM,1%,0.125W TC=TO
A64A1R6096	315-0102-00	RES,FXD,FILM:1K OHM,5%,0.25W
A64A1R6098	315-0202-00	RES,FXD,FILM:2K OHM,5%,0.25W MI
A64A1R7020	315-0101-00	RES,FXD,FILM:1K OHM,5%,0.25W
A64A1R7025	315-0101-00	RES,FXD,FILM:1K OHM,5%,0.25W
A64A1R7035	315-0512-00	RES,FXD,FILM:5.1K OHM,5%,0.25W
A64A1R7036	315-0512-00	RES,FXD,FILM:5.1K OHM,5%,0.25W
A64A1R7037	315-0512-00	RES,FXD,FILM:5.1K OHM,5%,0.25W
A64A1R7065	321-0335-00	RES,FXD,FILM:30.1K OHM,1%,0.125W TC=TO
A64A1R7070	321-0335-00	RES,FXD,FILM:30.1K OHM,1%,0.125W TC=TO
A64A1R7074	315-0102-00	RES,FXD,FILM:1K OHM,5%,0.25W
A64A1R7075	315-0104-00	RES,FXD,FILM:100K OHM,5%,0.25W
A64A1R7080	315-0100-00	RES,FXD,FILM:10 OHM,5%,0.25W
A64A1R7085	315-0100-00	RES,FXD,FILM:10 OHM,5%,0.25W
A64A1U2020	156-0742-02	MICROCKT,LINEAR:OPNL AMPL,SELECTED
A64A1U2030	156-0742-02	MICROCKT,LINEAR:OPNL AMPL,SELECTED
A64A1U2055	156-0742-02	MICROCKT,LINEAR:OPNL AMPL,SELECTED

<u>Component No.</u>	<u>Part No.</u>	<u>Name & Description</u>
A64A1U2062	156-0742-02	MICROCKT,LINEAR:OPNL AMPL,SELECTED
A64A1U4080	156-0742-02	MICROCKT,LINEAR:OPNL AMPL,SELECTED
A64A1U5090	156-0742-02	MICROCKT,LINEAR:OPNL AMPL,SELECTED
A64A1U6024	156-1226-01	MICROCKT,LINEAR:DUAL COMPARATOR,SCRN
A64A1U6055	156-1211-00	MICROCKT,INTFC:QUAD SPST SWITCH,2NC,2NO
A64A1U6065	156-0742-02	MICROCKT,LINEAR:OPNL AMPL,SELECTED
A64A1U6073	156-0742-02	MICROCKT,LINEAR:OPNL AMPL,SELECTED
A64A1U7055	156-0742-02	MICROCKT,LINEAR:OPNL AMPL,SELECTED
A64A1U7065	156-0742-02	MICROCKT,LINEAR:OPNL AMPL,SELECTED
A64A1U7073	156-0158-04	MICROCKT,LINEAR:DUAL OPNL AMPL
A64A1VR1085	152-0243-00	SEMICON DVC,DI,ZEN,SI,15V,5%,0.4W,DO-7
A64A1VR3035	152-0279-00	SEMICON DVC,DI,ZEN,SI,5.1V,5%,0.4W,DO-7
A64A1VR3099	152-0279-00	SEMICON DVC,DI,ZEN,SI,5.1V,5%,0.4W,DO-7
A64A1VR3100	152-0243-00	SEMICON DVC,DI,ZEN,SI,15V,5%,0.4W,DO-7
A64A1VR4030	152-0243-00	SEMICON DVC,DI,ZEN,SI,15V,5%,0.4W,DO-7
A64A1VR5030	152-0243-00	SEMICON DVC,DI,ZEN,SI,15V,5%,0.4W,DO-7

MECHANICAL PARTS LIST

CHANGE TO:

5-210	200-2238-02	CIRCUIT BD COVER:DEFLECTION AMP.
5-215	210-0054-00	WASHER LOCK#4:SPLIT, .025
4-141	342-0507-00	INSULATOR PLATE:HIGH VOLTAGE

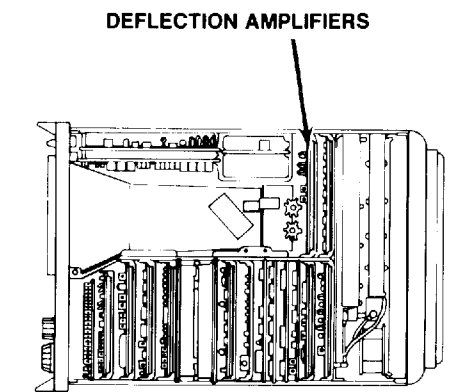


	A	B	C	D	E	F
1	TP1016 P1010 R2010 R1010 R2020 R1020	R1022 C1030 R1038 R1039	C1040 R2059 R2057	R1055 C1066 R2062 R2066	Q1070 Q2070 Q2075	Q1090 R1100 CR1100 R1105 R2108 P2100
2	R3010 R3024 R3025 R4010 R4020 CR4020	Q3026 R3030 C3030 C3031 VR3035 R3047 R3038 R4030 R4040 R4048 R4049	U2030 Q3046 Q3047 R4045 R4051 R4046 R4047	U2055 *C2056 *C2055 C3046 C3060 C3068	U2062 *C2062 R3070 C3075 C3080 C3095 C3092	CR1080 VR1085 R1085 R1088 R1090 Q2090 R3099 VR3099 C1100 VR3100 R3107 R3108 R3110 C3115
3	R6010 R5010 R5020 R5025 VR5030 R5032 R5036	Q4020 C4028 C4030 C4031 R5038 R4030 R4040 C4048 C5040 R4049	Q4030 R4051 CR4052 R4052 CR4058 R4061 R4059	CR5054 R5056 R5057 CR5055 R5058 R5059 *C8065 U6065	R4062 R4064 CR4063 CR4064 R4069 R5070 C5071 *C6073 U6073	Q3090 Q3095 C4092 R4092 R4099 R4105 R4108 R4110 R5090 U5090 CR4100 Q5090 R5097 R5098
4	R6015 R6020 R6024 U6024	U6055	CR5054 R5056 R5057 CR5055 R5058 R5059 *C8065 U6065	U7065 P6065 R6077 R7065 R7070	C6078 R6078 U7073 P6090 R6095 R6096 R6098 P6100	Q5090 R5097 R5098 Q7090 L7100
	C7020 C7025 R7020 R7025	C7035 R7035 R7036 R7037	U7055	L7061 L7069 R7074 C7061 C7071	P7075 R7080 R7085 L7090 L7100	C7073 C7085 C7090 C7100
	P1					

671-0372-
* DENOTE PARTS ON BACK OF BOARD

5566-1018

Figure 11-31A. A64A1—Deflection Amplifiers circuit board.

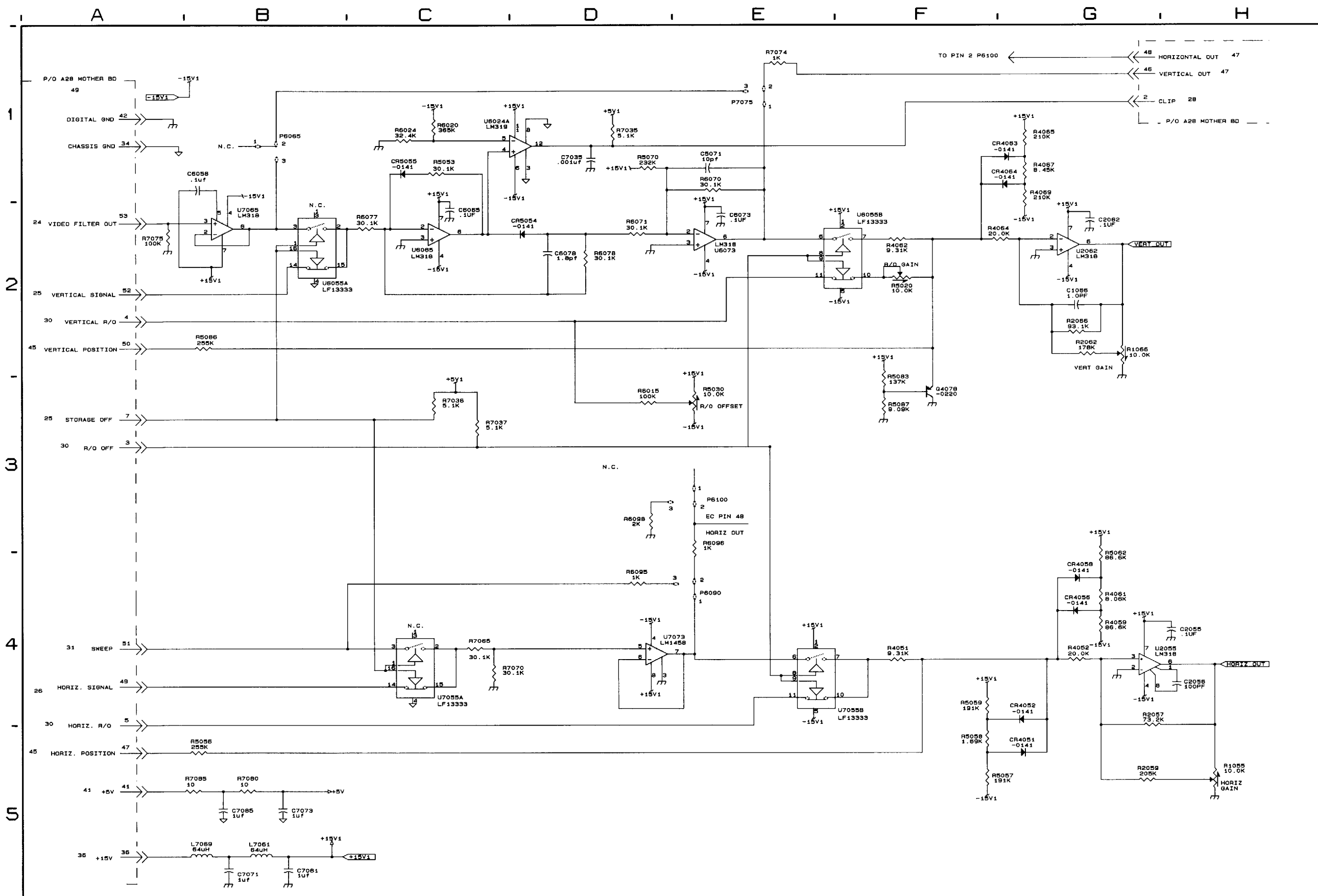


DEFLECTION AMPLIFIERS

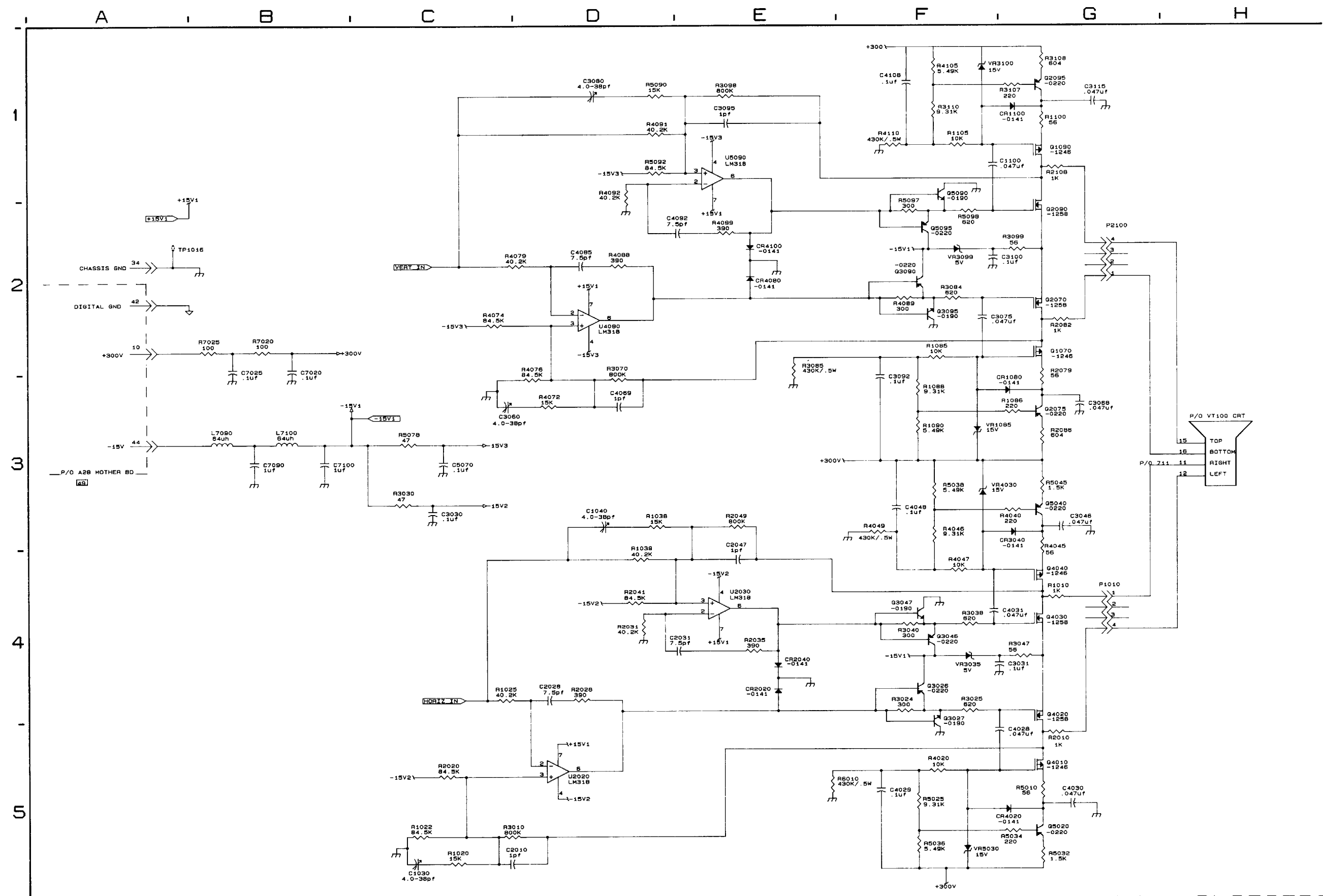
ASSEMBLY A64A1

27 B

CIRCUIT NUMBER	SCHEMATIC LOCATION	BOARD LOCATION	CIRCUIT NUMBER	SCHEMATIC LOCATION	BOARD LOCATION	CIRCUIT NUMBER	SCHEMATIC LOCATION	BOARD LOCATION
C1030	*C5	B1	Q3046	*F4	B2	R4099	*E2	E2
C1040	*D3	B1	Q3047	*F4	B2	R4105	*F1	F2
C1066	*G2	C1	Q3090	*F2	E2	R4110	*F2	F2
C1100	*G1	E1	Q3095	*F2	E2	R5010	*G5	A3
C2010	*C5	A1	Q4010	*G5	A2	R5020	*F2	A3
C2028	*D4	B1	Q4020	*G4	A2	R5025	*F5	A3
C2031	*E4	B2	Q4030	*G4	B2	R5030	*E3	B3
C2047	*E4	B1	Q4040	*G4	B2	R5032	*F5	B3
C2055	H4	C2	Q4078	*F3	D3	R5034	*F5	B3
C2056	H4	C2	Q5020	*F5	A3	R5036	*F5	B3
C2062	*G2	C2	Q5040	*G3	B3	R5038	*F3	B3
C3030	*G3	B2	Q5090	*F1	E3	R5045	*G3	B3
C3031	*G4	B2	Q5095	*F2	E3	R5053	*C1	C3
C3046	*G3	C2	R1010	*G4	A1	R5056	B5	C3
C3060	*C3	C2	R1020	*C5	A1	R5057	F5	C3
C3068	*G3	D2	R1022	*C5	A1	R5058	F5	C3
C3075	*F2	D2	R1025	*C4	A1	R5059	F4	C3
C3080	*D1	D2	R1038	*D8	B1	R5062	G4	C3
C3092	*F3	E2	R1039	*D4	B1	R5070	D1	D3
C3095	*E1	E2	R1055	H5	C1	R5078	*C3	D3
C3100	*F2	E2	R1066	*G2	F1	R5085	E3	E3
C3115	*G1	F2	R1085	*F2	D1	R5086	B2	E3
C4028	*C5	A2	R1086	*C8	E1	R5087	F3	E3
C4029	*F5	B3	R1088	*F3	E1	R5090	*D1	E3
C4030	*G5	B3	R1090	*F3	E1	R5092	*D1	E3
C4031	*G4	B2	R1100	*G1	E1	R5097	*F2	E3
C4048	*F3	B3	R1105	*F1	F1	R5098	*F2	E3
C4069	*D3	D2	R2010	*G5	A1	R6010	*F5	A3
C4085	*D2	D2	R2020	*C5	A1	R6015	D3	A3
C4092	*E2	E2	R2028	*F2	A1	R6020	C1	A3
C4108	*F1	F3	R2031	*D4	B2	R6024	C1	A3
C5070	*C3	D3	R2035	*E4	B1	R6070	D3	D3
C5071	E1	D3	R2041	*D4	B1	R6071	D2	D3
C6058	B1	C4	R2049	*E3	C1	R6077	F2	D4
C6065	E2	C3	R2057	*G4	C1	R6078	D2	D4
C6073	D3	D3	R2059	E2	C1	R6079	D4	E4
C6078	D2	D3	R2062	*G2	C1	R6095	D4	E4
C7020	*B2	A4	R2066	*G2	C1	R6098	D3	E4
C7025	*B2	A4	R2079	*G2	D1	R7020	*B2	A4
C7035	D1	B4	R2082	*G2	D1	R7025	*B2	A4
C7061	B5	C4	R2086	*G3	E1	R7035	D1	B4
C7071	B5	D4	R2108	*G1	F1	R7036	G3	B4
C7073	B5	D4	R3010	*C5	A2	R7037	C3	B4
C7085	B5	E4	R3024	*F4	A2	R7065	C4	C4
C7090	*B3	E4	R3025	*F4	A2	R7070	C4	D4
C7100	*B3	E4	R3030	*C3	B2	R7074	E1	D4
CR1080	*G3	D1	R3038	*F4	B2	R7075	A2	D4
CR1100	*G1	E1	R3040	*F4	B2	R7080	B5	D4
CR2020	*G4	A1	R3047	*G4	B2	R7085	B5	D4
CR2040	*E4	B1	R3070	*D2	D2	TP1016	*A2	A1
CR3040	*G3	B2	R3084	*F2	E2	U2020	*D5	A2
CR4020	*G5	A3	R3085	*E2	E2	U2030	*E4	B2
CR4051	*G5	C2	R3098	*E1	E2	U2055	G4	C1
CR4052	*G4	C2	R3099	*G2	E2	U2062	G2	C1
CR4056	*G4	C2	R3107	*G1	F2	U4080	*D2	D2
CR4058	*G4	C2	R3108	*G1	F2	U5090	*E1	E3
CR4063	*G1	D2	R3110	*F1	F2	U6024	D1	A3
CR4064	*G1	D2	R4020	*F5	A3	U6055	B2	C3
CR4080	*E2	D3	R4040	*C3	B3	U6055	F2	C3
CR4100	*G1	E1	R4045	*C3	C2	U6065	C2	C3
CR5054	*D2	C3	R4046	*F3	C2	U6073	E2	D3
CR5055	*C1	C3	R4047	*F4	C2	U7055	E4	B4
L7061	B5	C4	R4049	*F3	C3	U7055	EC4	A4
L7069	B5	D4	R4051	F4	C2	U7065	B2	C3
L7090	*B3	E4	R4052	F4	C2	U7073	D4	D4
L7100	*G3	E4	R4059	G4	C2	VR1085	*F3	D1
P1010	*G4	A1	R4061	G4	C2	VR3035	*F4	B2
P2100	*G2	F1	R4062	F2	C2	VR3099	*F2	B2
P6065	B1	D3	R4064	F2	C2	VR3100	*F1	E2
P6090	E3	E4	R4065	G1	C3	VR4030	*F3	B3
P6100	E4	E4	R4067	G1	C3	VR5030	*F5	A3
P7075	E1	D4	R4069	G1	D3			
Q1070	*G2	D1	R4072	*D8	D2			
Q1090	*G1	E1	R4074	*C3	D3			
Q2070	*G2	D1	R4076	*D2	D3			
Q2075	*G3	D1	R4079	*D2	D2			
Q2090	*G2	E1	R4088	*D2	D2			
Q2095	*G1	E1	R4089	*F2	E2			
Q3026	*F4	A2	R4091	*D1	E3			
Q3027	*F4	A2	R4092	*D1	E2			



* Locations are found on Deflection Amplifiers diagram 27B2



CHG/REF M63911

5566-1020

DEFLECTION AMPLIFIERS

